



# Aluminum Interactive Counterbalance Monitor Arms

LMS-G



LDT10-C012  
Features Video



LDT10-C024  
Features Animation



**Vertical Adjustment**  
Gas Spring Assisted

Detachable VESA panel makes installation easier



Both grommet and desk clamp mounting available



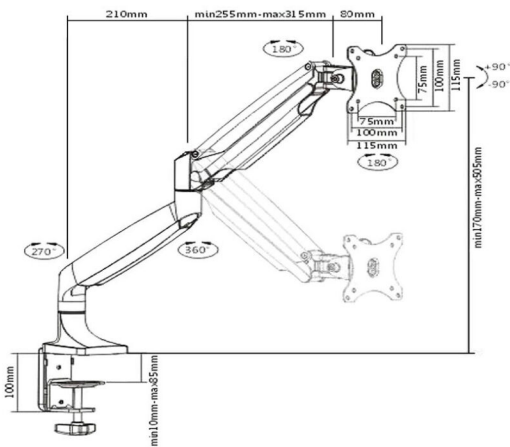
Create a clean sleek look by concealing cables from sight



Built-in spring tension gauge adjusts for various arm weight loads



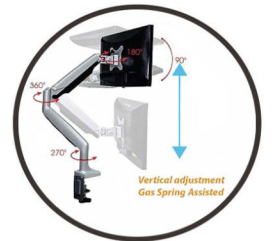
Added slots for holding tools in case of possible maintenance in future



Create a clean sleek look by concealing cables from sight



Built-in spring tension gauge adjusts for various arm weight loads



Smooth, Precise and Effortless Viewing Angle Adjustment