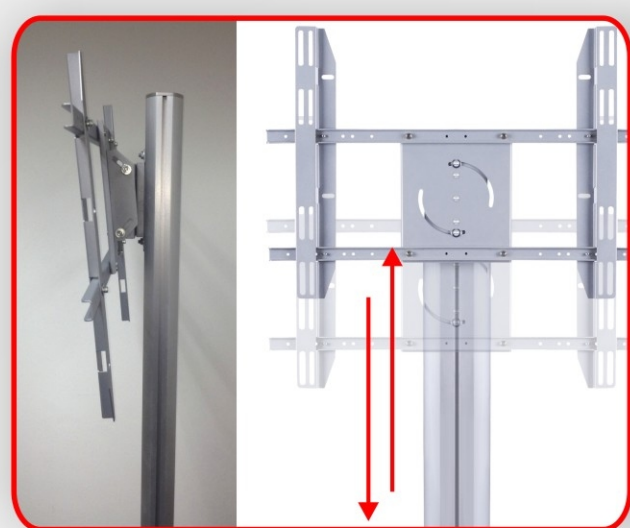


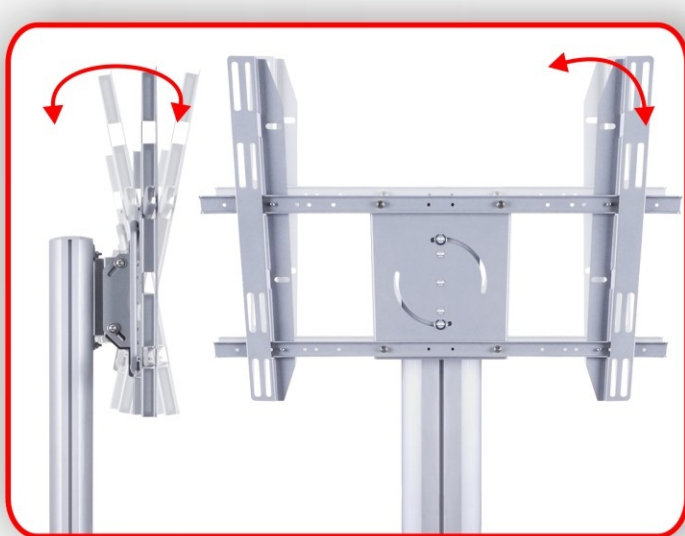


LCD TV Floor Stand

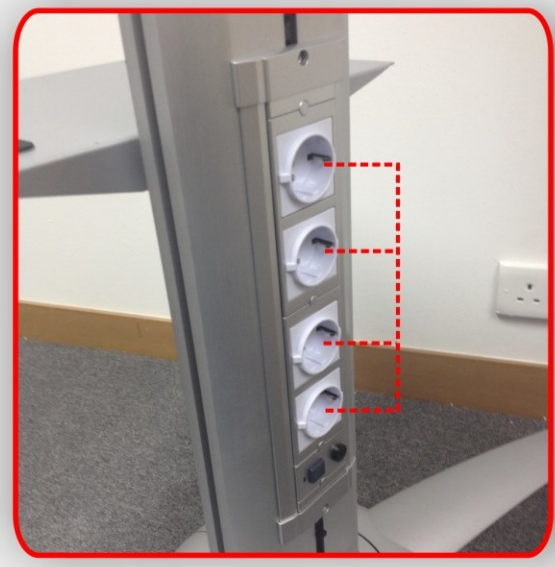
Rk01



Adjustable mount to support
30" - 55" LCD's



Adjustable Tilt 20°



4 Electric point outlet on pole



Rotation +/- 360°



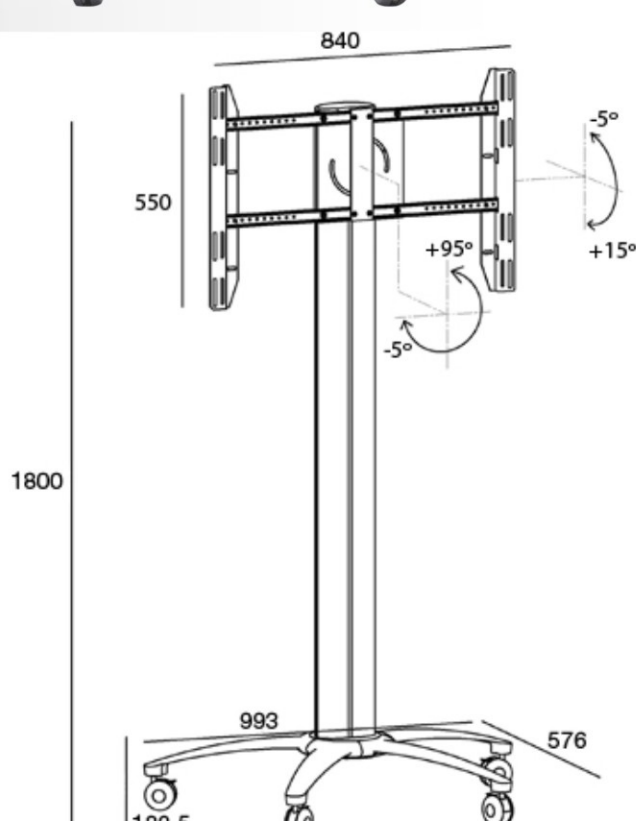
Base for good looks and stability



4 high grade lockable castor



Suggest size: 30-55"
Adjustable Tilt: 20 degree
Loading Capacity 60kgs
Rotation: +/- 360°
Material: Alu. Casting+metal
Height: 1800mm
Color silver/black
VESA Standard: Max. 800(L)*400(W)mm
Optional Parts: Camera Holder, Codec or DVD shelf, CPU holder or Mediabox
Features: Cable management, Electric socket outlet, Portrait & Landscape



Ergonomic Corporation (Hong Kong) Limited.

Office 1:
2nd floor Eton tower 8,
Hysen Avenue Causeway, Hongkong.

Office 2:
Room no. 28, block B, 5 floor, Mai Tak Industrial building,
221 wai yip street, kwun tong, kowloon, Hongkong

Tel.: 852-98226451
infor@ergohongkong.com
www.ergohongkong.com

Tel.: 852-98226451
info@ergohongkong.com
www.ergohongkong.com