



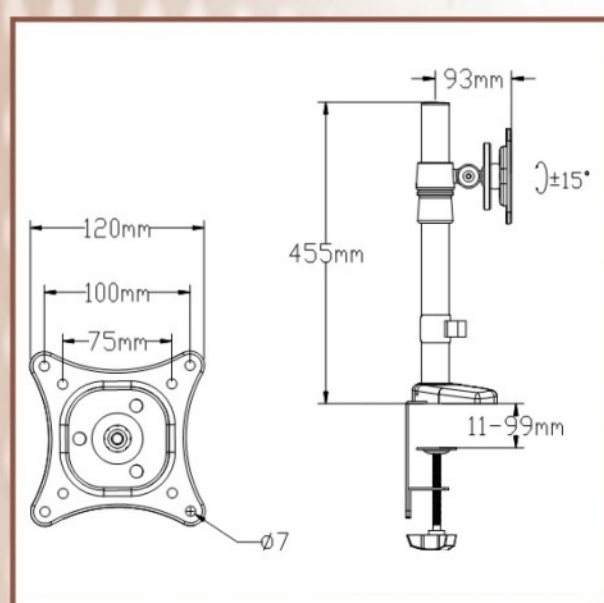
# Ergonomic Corporation (Hong Kong) Ltd.

## LCD Single Monitor Stands (Premium & Economical Series)

LMS-CT -A

LCD Monitor Stand (Clamp Type)

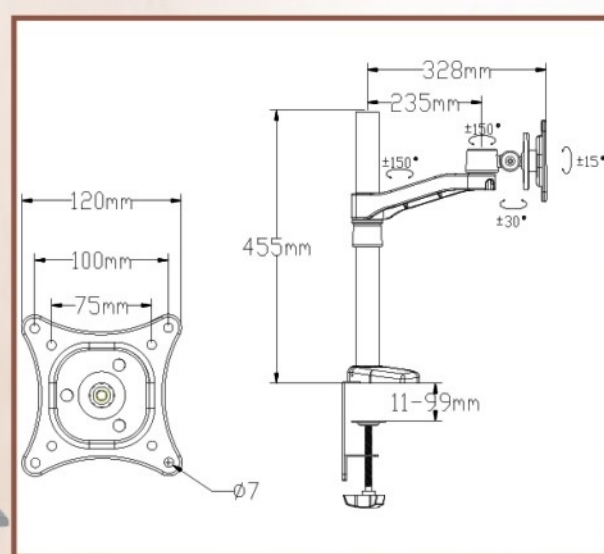
The LCD Arm is the perfect accessory to add flexibility to your LCD monitor or TV. Sleek and streamlined, it frees up desk space and allows you to adjust the height of your LCD. you can raise or lower the LCD.



LMS-CT -A1

LCD Monitor Stand (Clamp Type with Arm)

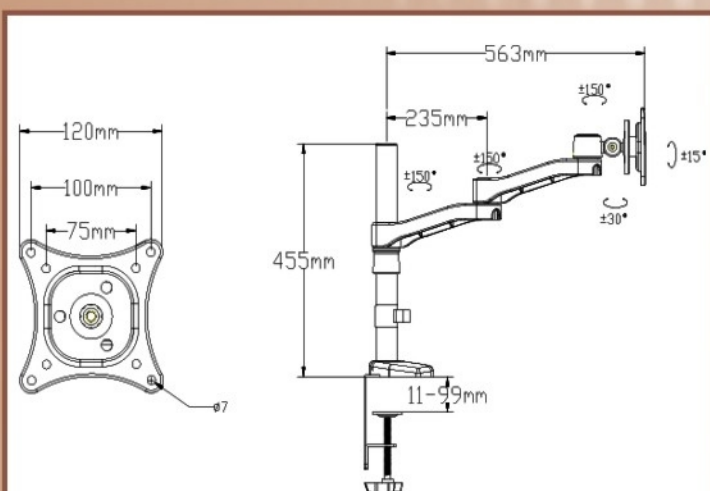
The LCD Arm is the perfect accessory to add flexibility to your LCD monitor or TV. Sleek and streamlined, it frees up desk space and allows you to adjust the height of your LCD. you can raise or lower the LCD.



LMS-CT -A2

LCD Monitor Stands (Clamp Type with Dual Arms)

The LCD Arm is the perfect accessory to add flexibility to your LCD monitor or TV. Sleek and streamlined, it frees up desk space and allows you to adjust the height of your LCD. you can raise or lower the LCD.



Free up your desk space.  
Securely clamps to any desk.  
Clamps around or through desk.  
Adjustable height.  
Tidies and Manages Cables.  
The height adjustment of arms is continuous along the pole and adjust using the Allen wrench provided. Each mount can be tilted left, right, up & down . You can also rotate each monitor from portrait to landscape on the fly.  
15° Screen Tilt.  
To fit screen sizes : 13" to 27" (33-69cm).  
Maximum monitor weight : 8kg (17lbs).  
VESA compatibility : 75x75mm to 100x100mm.  
Inbuilt option to Clamp or Bolting to desk. Intergral cable management neatly stores cables.

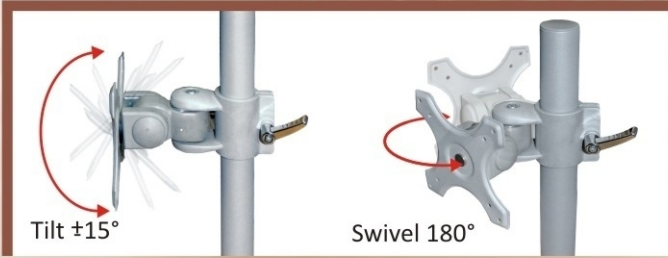
LCD monitor arms help utilize work space, improve ergonomics, and share ideas. LCD Monitor Pole with Double-Link Swing Arms provides a secure and elevated position for your monitor. Helps free up valuable desk and work space. It's fully adjustable tilt, rotate, side-to-side, height, and tension settings enable a comfortable and productive viewing position that helps reduce eye fatigue, neck, and back strain. LCD monitor can be easily rotated around the pole to allow others to view presentations and other multimedia. View the displays from almost any direction.

LMS-F

# LCD Monitor Stands (Free Standing Type)



- Monitor can adjust in height, tilt, swivel & can rotate.
- Heavy metallic base, so stand is freestanding.
- Mounting arms are adjustable.
- The mount can rotate and tilt.
- Monitor can be used in landscape and portrait format.

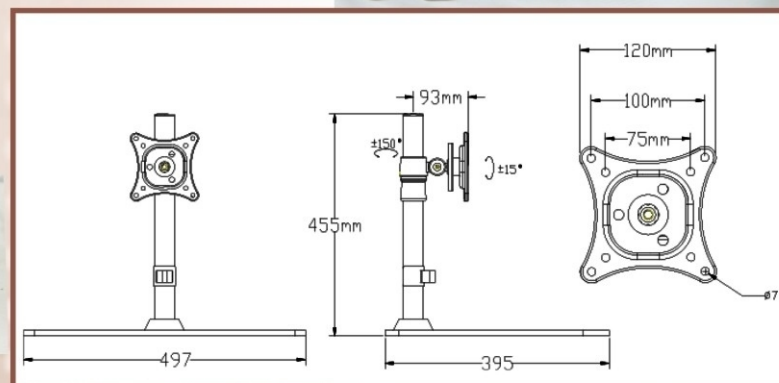
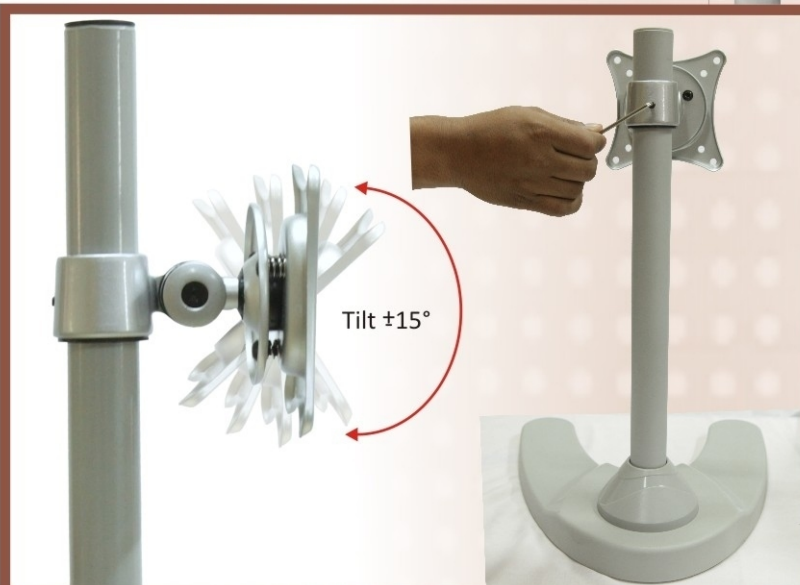


LMS-FE

# LCD Monitor Stands (Free Standing Type)

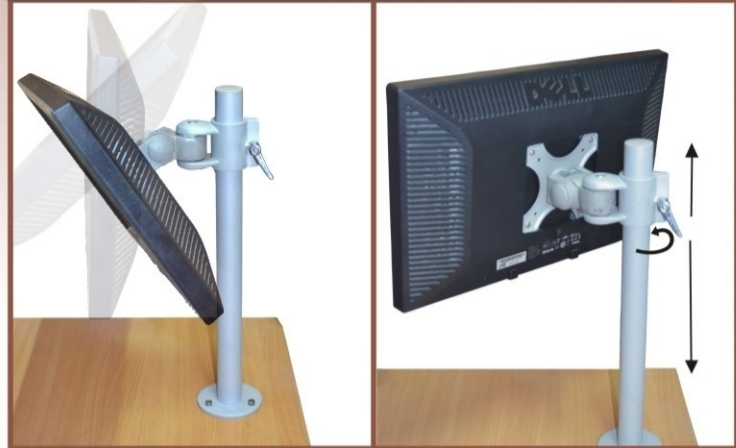


Freestanding with heavy metal base  
 Adjustable height.  
 Tidies and Manages Cables.  
 The height adjustment of arms is continuous along the pole and adjust using the Allen wrench provided.  
 Each mount can be tilted left, right, up & down . You can also rotate each monitor from portrait to landscape on the fly.  
 15° Screen Tilt.  
 To fit screen sizes : 13" to 27" (33-69cm).  
 Maximum monitor weight : 8kg (17lbs).  
 VESA compatibility : 75x75mm to 100x100mm

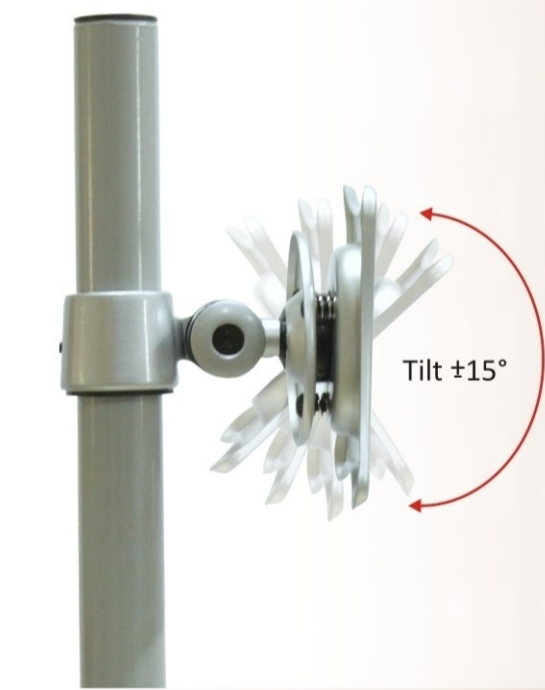




- The Height of LCD Monitor is Adjustable.
- The mount can rotate and tilt.
- Monitor can be used in landscape and portrait format LCD
- Arm Design Allows side to side movement.
- Can be fixed on table. Frees up desk space.



- Can be fixed on table. Frees up desk space.
- Adjustable height.
- Tidies and Manages Cables.
- The height adjustment of arms is continuous along the pole and adjust using the Allen wrench provided.
- Each mount can be tilted left, right, up & down . You can also rotate each monitor from portrait to landscape on the fly.
- 15° Screen Tilt.
- To fit screen sizes : 13" to 27" (33-69cm).
- Maximum monitor weight : 8kg (17lbs).
- VESA compatibility : 75x75mm to 100x100mm



- Weight capacity:10kgs.
- Meets with VESA 75\*75 or 100\*100mm.
- With a C-Clamp mounting bracket which can be a wall mounting too.



**Ergonomic Corporation (Hong Kong ) Limited.**

**Office 1:**

2nd floor Eton tower 8 ,  
Hysen Avenue Causeway, Hongkong.

☎ Tel.: 852-98226451  
✉ info@ergohongkong.com  
🌐 www.ergohongkong.com

**Office 2:**

Room no. 28 , block B, 5 floor, Mai Tak Industrial building,  
221 wai yip street, kwun tong, kowloon, Hongkong

☎ Tel.: 852-98226451  
✉ info@ergohongkong.com  
🌐 www.ergohongkong.com