

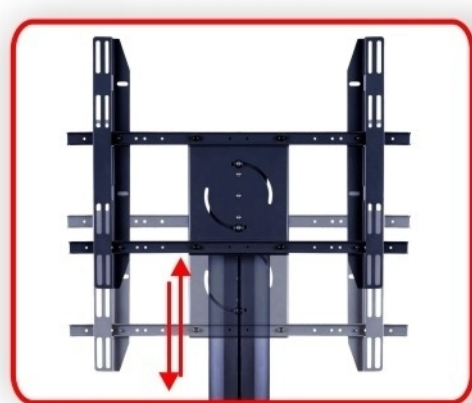


RKD

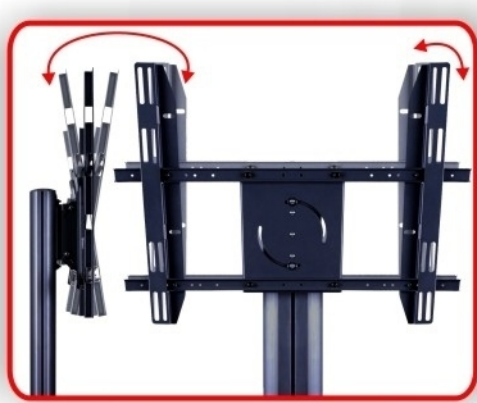


**Dual LCD TV
Floor Stand**

Suggest size: 30-60" Dual Screens
Adjustable Tilt: 20 degree
Loading Capacity 100 kgs
Rotation: +/- 360°
Material: Alu. Casting+metal
Height: 1800mm
Color silver/black
VESA Standard: Max. 800(L)*
400(W)mm
Optional Parts: Camera Holder,
Codec or DVD shelf, CPU holder
or Mediabox
Features: Cable management, Electric
socket outlet, Portrait & Landscape



Adjustable height to support tv upto 30" - 60" LCD's



Adjustable Tilt 20°



Rotation +/- 360°



Base for good looks and stability



4 Electric point outlet backside on pole

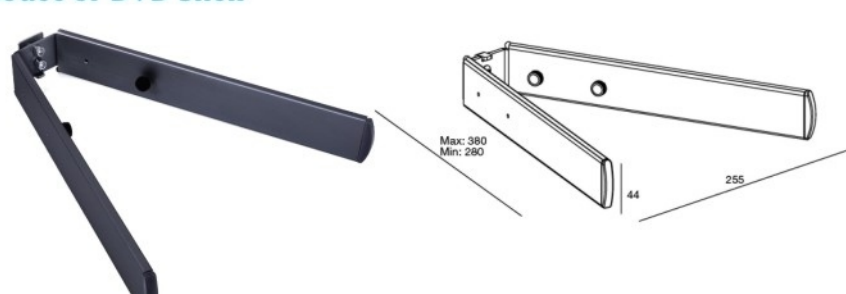


4 high grade lockable castor

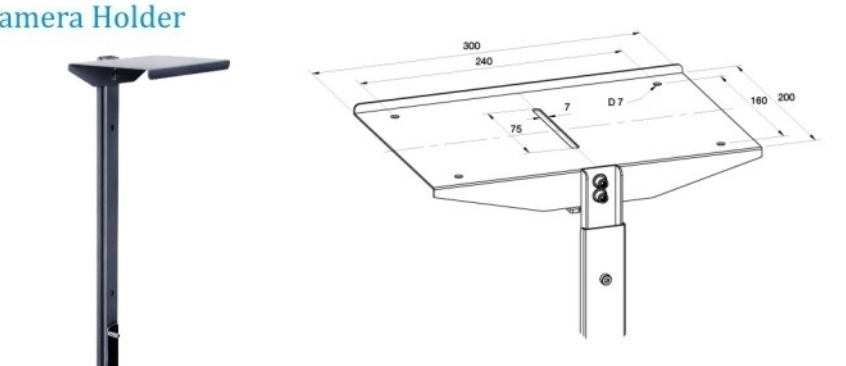


Optional Parts

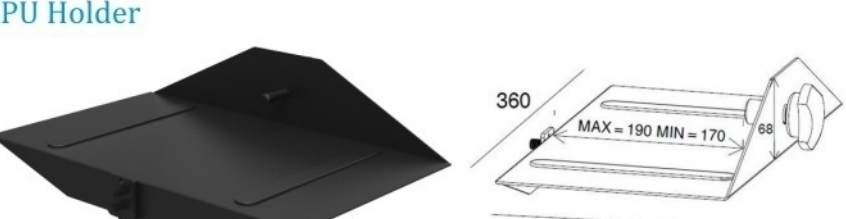
Codec or DVD Shelf



Camera Holder



CPU Holder

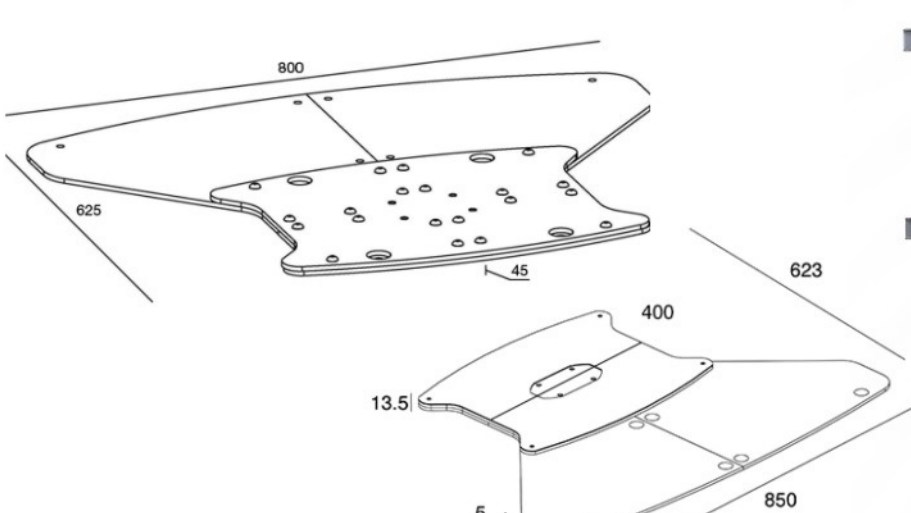


Mediabox



TV Stand 180 Dual is one of the most flexible and multifunctional display stand of its kind. The Dual tv stand possibility makes this unit optimal for videoconferencing and more detailed presentations where a dual screen scenario might be needed. tv Stand has a versatile usage area. Mainly made out of a light weight aluminum construction it is both heavy duty and will support most ideas and environments it is placed in. The tv Stand can be used with screens in a standard landscape mode or a portrait mode. As a stable and sophisticated display stand base with wheels are included as standard. This means the series is very easy to move around. This makes the series for use in public environments such as conference rooms, class rooms or hospitals.

RKD-B



Base for good looks and stability



The product exchanges the standard wheelbase included and can then creates a non movable base for the TV Stand. This is ideal if the TV Stand should not be moved out of its position.

The TV Floorstand Base is configurable to meet different needs and situations. For public use its footprint can be minimized and then mounted to the floor. This is highly suitable in public areas where safety is of highest importance.



Product Size: 790(L)*500(W)*1450-1760(H)mm
 Color: Silver/ Black
 Material: Aluminium column .+Metal Base +MDF Shelf for keyboard and mouse
 Features: Cable Management
 Height adjustment for Sitting and Standing position
 Optional Parts: CPU holder, Printer Shelf, Basket
 Load bearing : 30kg
 Max Capacity : 100kgs
 Support LCD upto : 17" to 32"



Utility basket for storage

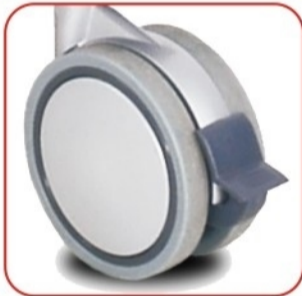
Adjustable MDF Shelf for keyboard and mouse



4 Electric point on pole



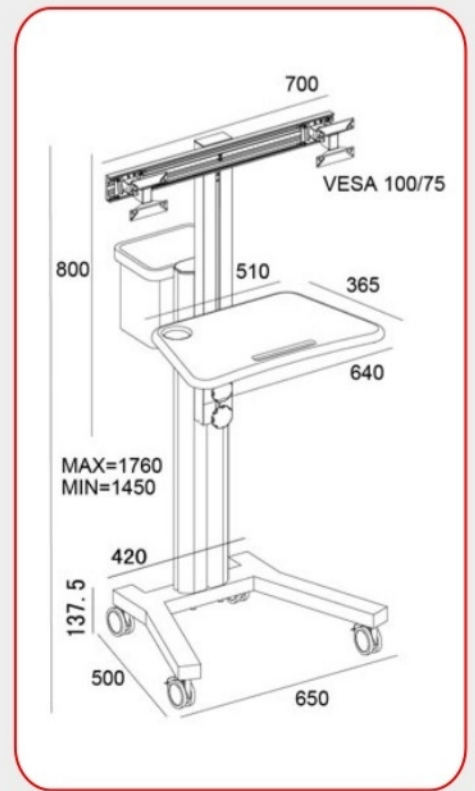
Adjust height of keyboard shelf with this knobs



High grade lockable caster



Adjustable mount to support each tv 17" to 32"



DUAL TV MEDIA CART WITH CABINET

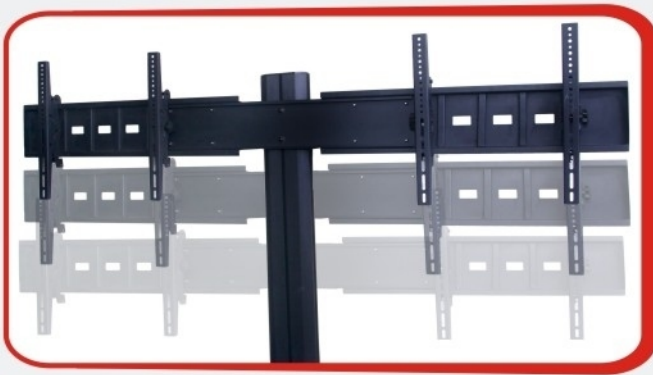
TMC02



Cable can go inside the pole



4 electric point outlet on pole



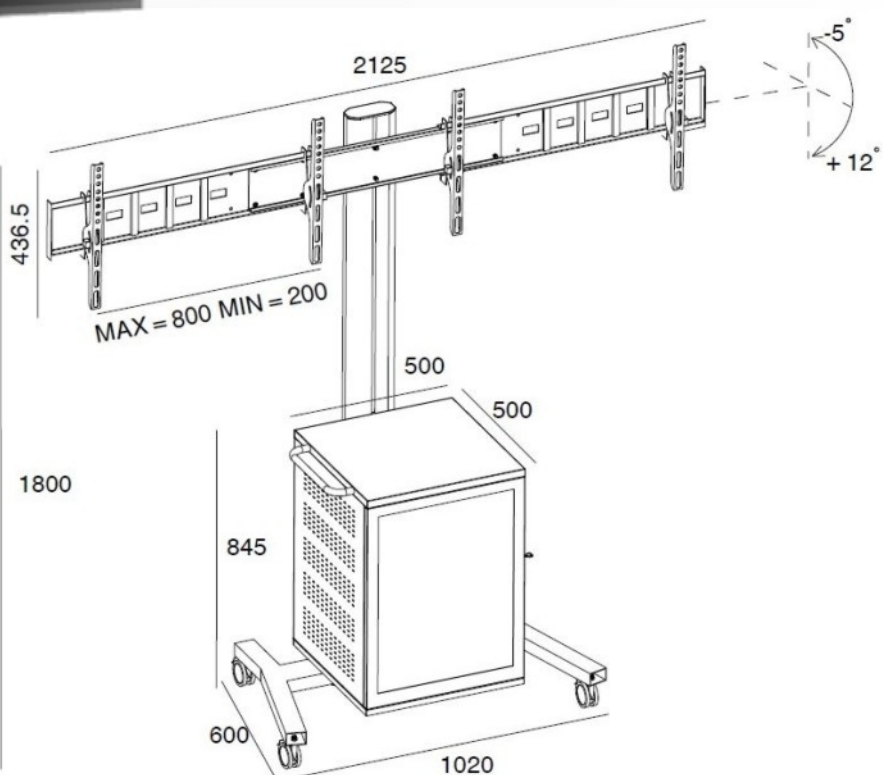
TV can adjust any level on pole



Lock on media cabinet to keep stored AV devices safe and secure



Technical View of Media Cart



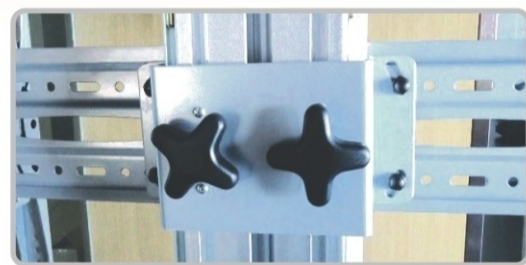
DUAL TV VIDEO CONFERENCE CART

DTVC 01



Movable flat panel tv mount
 With 2 shelves, Lower for VC equipment
 & upper shelf for camera
 Cable Management inside the pole
 VESA size : 400*400 & 600*600mm
 Support each screen upto 55"

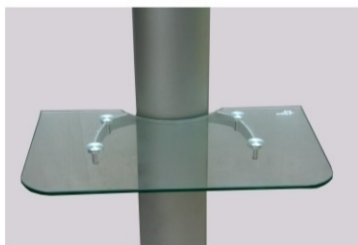
Camera shelf size of 300(L)x230(W)mm
 DVD shelf size of 540(L)x350(W)mm
 DVD / VC codec shelf can support → Standard 5 kg
 or Optional at extra charge metal heavy duty 10 kg
 Max height : 1900mm from TV center to floor
 4 locking Wheels which allows easy movement
 Load Bearing : 50 kg
 Colour : Silver



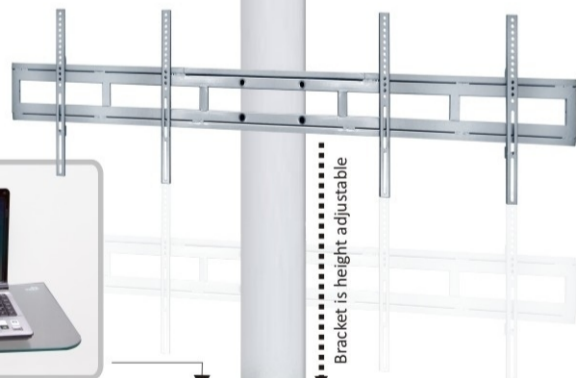
Mount height adjustment knobs



Adjustable camera shelf



Shelf for VC equipments



Bracket is height adjustable



High grade castors



Universal bracket to mount each tv upto 55"

Dual TV Floor Stand (Ultra Premium)

Upc2



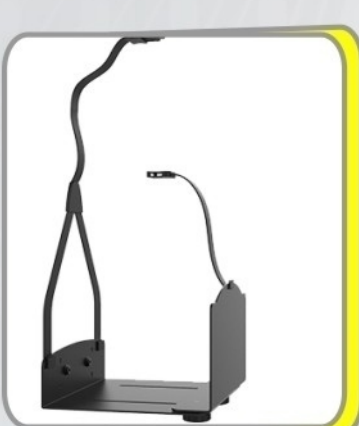
Camera Shelf



Power Board



DVD/ AV Shelf



CPU Holder



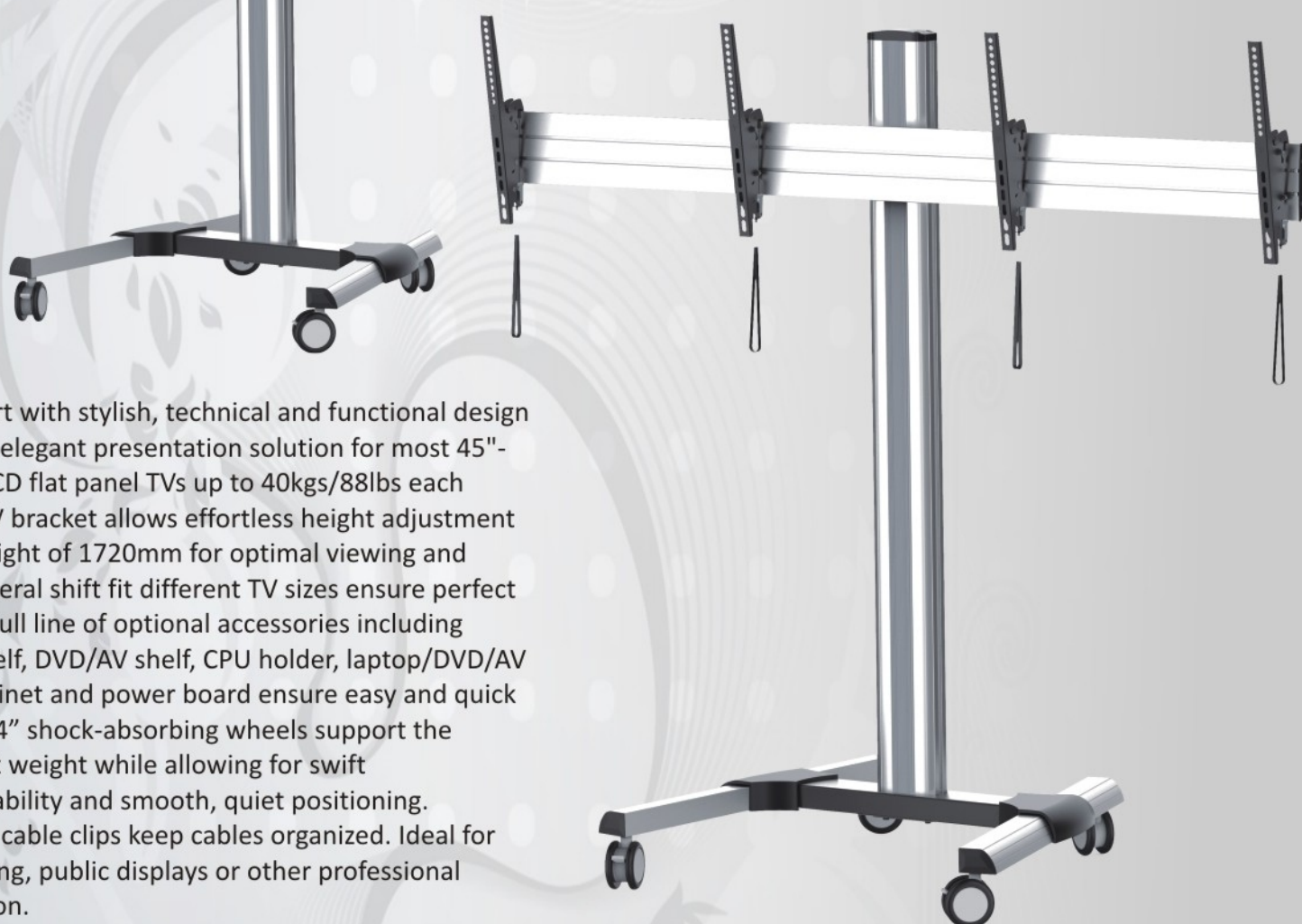
Lockable DVD/AV Cabinet



Wire Management



- *Aluminum construction embellishes your TVs and provides sleek and elegant look
- *Freely +5°~-10°tilting allows easy TV angle adjustment
- *Height adjustable
- *Lateral shift allows TV to slide left and right for perfect placement
- *Built-in level adjustment ensures perfect positioning
- *A full line of optional accessories customize installation
- *Cable management system helps keep cables concealed and organized
- *4" shock-absorbing wheels for smooth move and swift



dual TV cart with stylish, technical and functional design to provide elegant presentation solution for most 45"-55" LED, LCD flat panel TVs up to 40kgs/88lbs each bracket. TV bracket allows effortless height adjustment of max. height of 1720mm for optimal viewing and smooth lateral shift fit different TV sizes ensure perfect display. A full line of optional accessories including camera shelf, DVD/AV shelf, CPU holder, laptop/DVD/AV secure cabinet and power board ensure easy and quick assembly. 4" shock-absorbing wheels support the equipment weight while allowing for swift maneuverability and smooth, quiet positioning. Integrated cable clips keep cables organized. Ideal for conferencing, public displays or other professional presentation.

Height Adjustment Maximum : 1707 mm

Height Adjustment Maximum : 67.20 in

Maximum Load Capacity : 80 kg

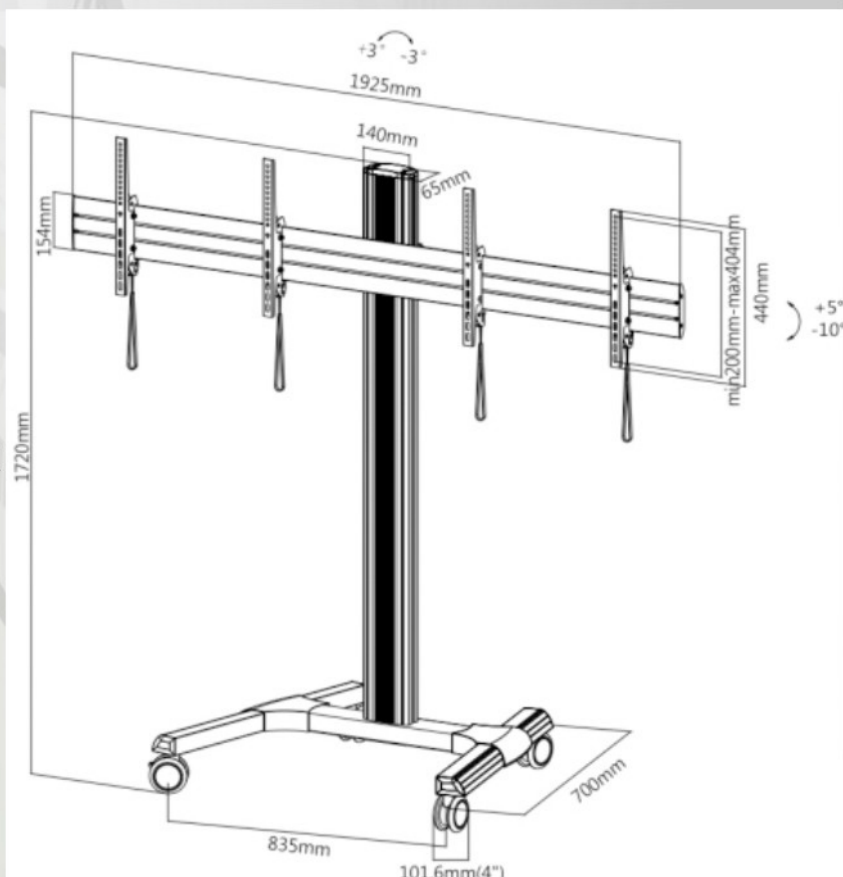
Maximum Load Capacity : 176.37 lbs

Mounting Pattern (VESA holes) : universal

Mounting Pattern (VESA) : max.600x400

Tilt (Minus) : 10 degrees

Tilt (Plus) : 5 degrees

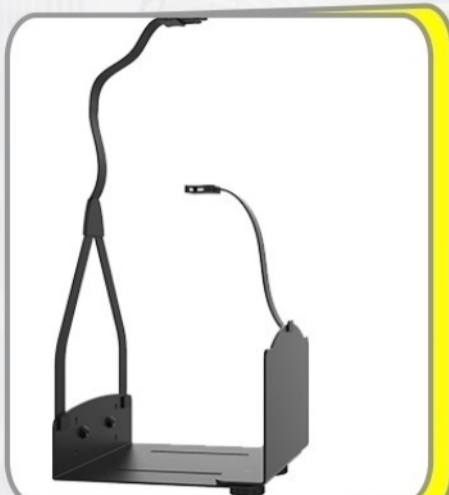


Dual TV Floor Stand (Ultra Premium)

Upt2



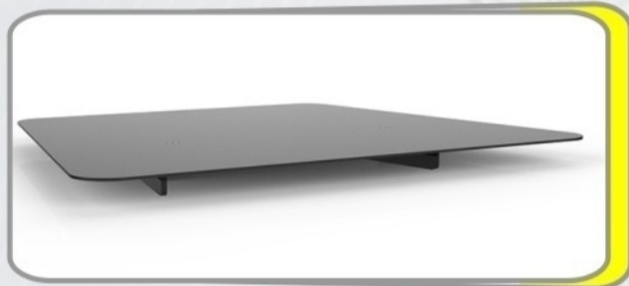
Camera Shelf



CPU Holder



Lockable DVD/AV Cabinet



DVD/AV Shelf

- *Height adjustable
- *Lateral shift allows TV to slide left and right for perfect placement
- *Built-in level adjustment ensures perfect positioning
- *A full line of optional accessories customize installation
- *Cable management system helps keep cables concealed and organized
- *Wheels for smooth move and swift maneuverability
- *Easy & quick installation



dual TV cart with stylish, technical and functional design to provide solid presentation solution for most 37"-60" LED, LCD flat panel TVs up to 40kgs/88lbs.each bracket. TV bracket allows tool-less height adjustment of max. height of 1860mm with the knob for optimal viewing and smooth lateral shift fit different TV sizes ensure perfect display. A full line of optional accessories including camera shelf, DVD/AV shelf, CPU holder and laptop secure cabinet ensure easy and quick assembly. Lockable wheel with reinforced design support the equipment weight while allowing for swift maneuverability and smooth positioning. Integrated cable clips keep cables organized. Ideal for conferencing, public displays or other professional presentation.

Exterior Height : 1860 mm

Exterior Height : 74.02 in

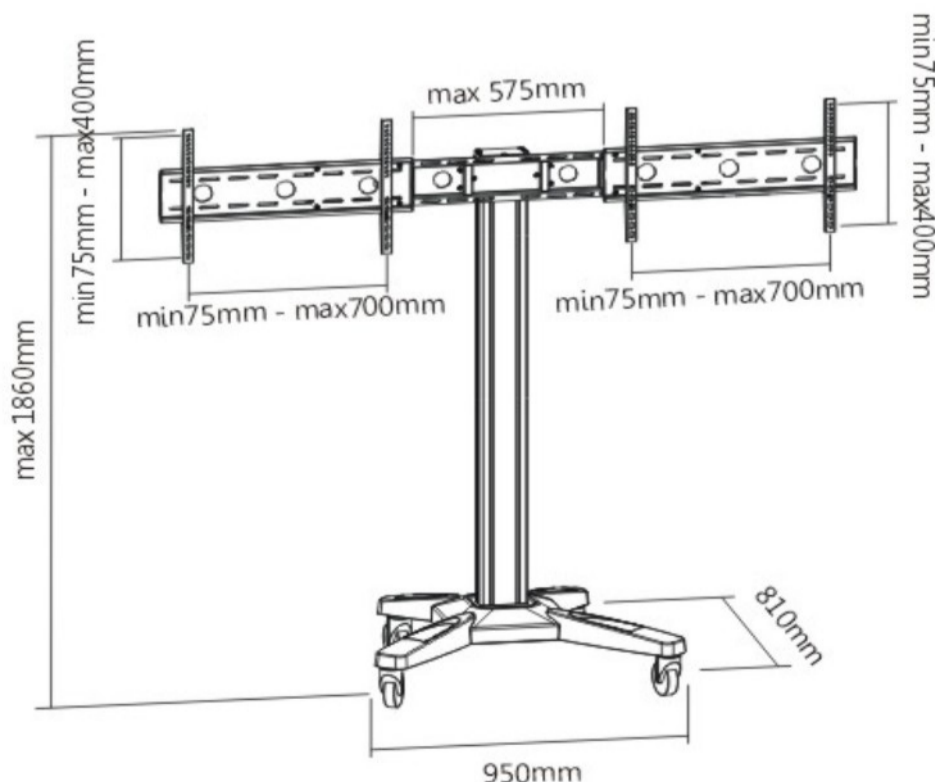
Maximum Load Capacity : 80 kg

Maximum Load Capacity : 176.37 lbs

Casters (Mobile) : Yes

Height Adjustment Maximum : 1860 mm

Height Adjustment Maximum : 73.23 in





1. Motorized Mount on Mobile Cart is great for presentation and training functions. The mobile cart has a powerful motorized lift system that provides a height adjustment from 39.3" to 57".
2. Expertly designed and engineered with your comfort and safety in mind. This motorized mount is designed to support 2 TV's or monitors total weight about 50 kg maximum. (total weight of both TV combine should not exceed 50 kg. 32-40 inch TV usually these days about 15 to 20 kg maximum, so installing 2 qty 32 or 40 inches is no problem)
3. The adjustable equipment shelf will support your video conferencing equipment or your DVD system. The integrated cable management gives your mobile cart a clean professional look that compliments.
4. Motorized Screen Height from 39.3" - 57" (pole adjustment, tv top will be few inches more in height)
5. Controls: Dual Hand Held Cabled and infra red
6. Equipment Shelf below tv to keep laptop : Glass 19.7"x 14"
7. High quality casters with locking
8. Integrated cable management Power board holder at rear Power Requirements 220 to 240 40V AC



Ergonomic Corporation (Hong Kong) Limited.

Office 1:

2nd floor Eton tower 8,
Hysen Avenue Causeway, Hongkong.

☎ Tel.: 852-98226451
✉ info@ergohongkong.com
🌐 www.ergohongkong.com

Office 2:

Room no. 28, block B, 5 floor, Mai Tak Industrial building,
221 wai yip street, kwun tong, kowloon, Hongkong

☎ Tel.: 852-98226451
✉ info@ergohongkong.com
🌐 www.ergohongkong.com