



Free Standing Single Monitor Mount Desk Stand

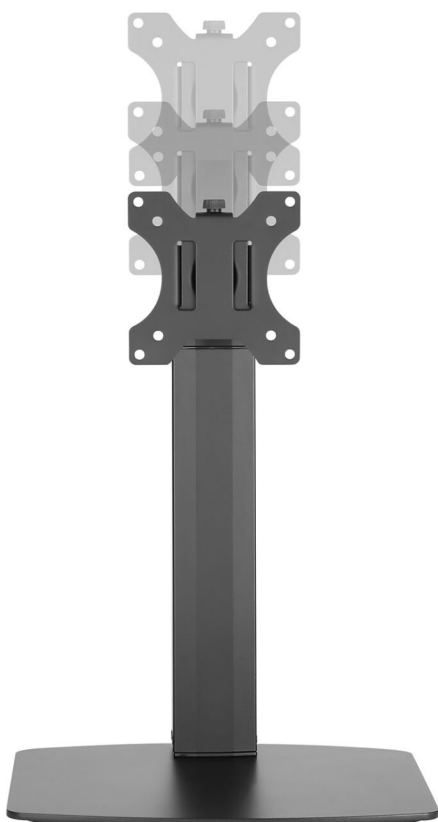


Constructed of high grade steel, this rugged mount built to resist scratches and supports screens up to 7kg/15.4lbs . Gas spring hovering mechanism allows a smooth and effortless adjustment to find the perfect viewing angle. The EFBGS allows you to clear up your valuable work space, while providing an ergonomic working position.



Allows you to clear up your valuable workspace while providing an ergonomic working position.

Experience optimal viewing angles with -20° to $+20^{\circ}$ tilt, 90° swivel, and 360° rotation for finding the screen position that leaves you working in comfort all day long.

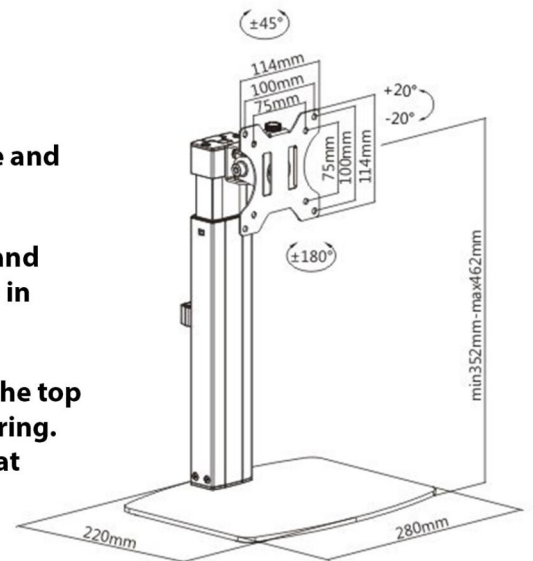


Aadjust the pole height anywhere from 14.5" to 19" by pulling up on the top lever and raising the stand with the help of a powerful pneumatic spring.



Features

- 1 This tall monitor stand was built to last with a high-grade steel frame and sturdy 17" x 32" base that easily supports up to 7kg/15.4 pounds.
- 2 Experience optimal viewing angles with -20° to $+20^{\circ}$ tilt, 90° swivel, and 360° rotation for finding the screen position that leaves you working in comfort all day long.
- 3 Adjust the pole height anywhere from 14.5" to 19" by pulling up on the top lever and raising the stand with the help of a powerful pneumatic spring. To lock the height in place, push the lever back down. Please note that this stand sits at 14.5" at its lowest position.
- 4 This stand fits most computer monitors 17" to 32" with VESA 75x75mm and 100x100mm mounting holes. A removable VESA plate makes screen mounting fast and easy, and the screen can be placed in portrait or landscape orientation.



Contact us



Address 1: Ergonomic Corporation Hongkong Limited, 2nd Floor, Eton Tower, 8th Hysen Avenue Causeway Bay, Hong Kong
 Address 2: Room No. 25, Block B, 5th Floor, Mai Tak Industrial Building, 221 Wai Yip Street, Kwun Tong, Kowloon, Hong Kong
 E-mail: sales@ergoshopping.com, Website: www.ergoshopping.com, Tel: 852-98226451