



Sturdy and heavy enough to maintain stability.

Ideal solution for above the desk monitor mounting.



Holds in Vertical Position 2 Screens up to 27".

Rotate each monitor 90° to view in landscape or portrait orientation.

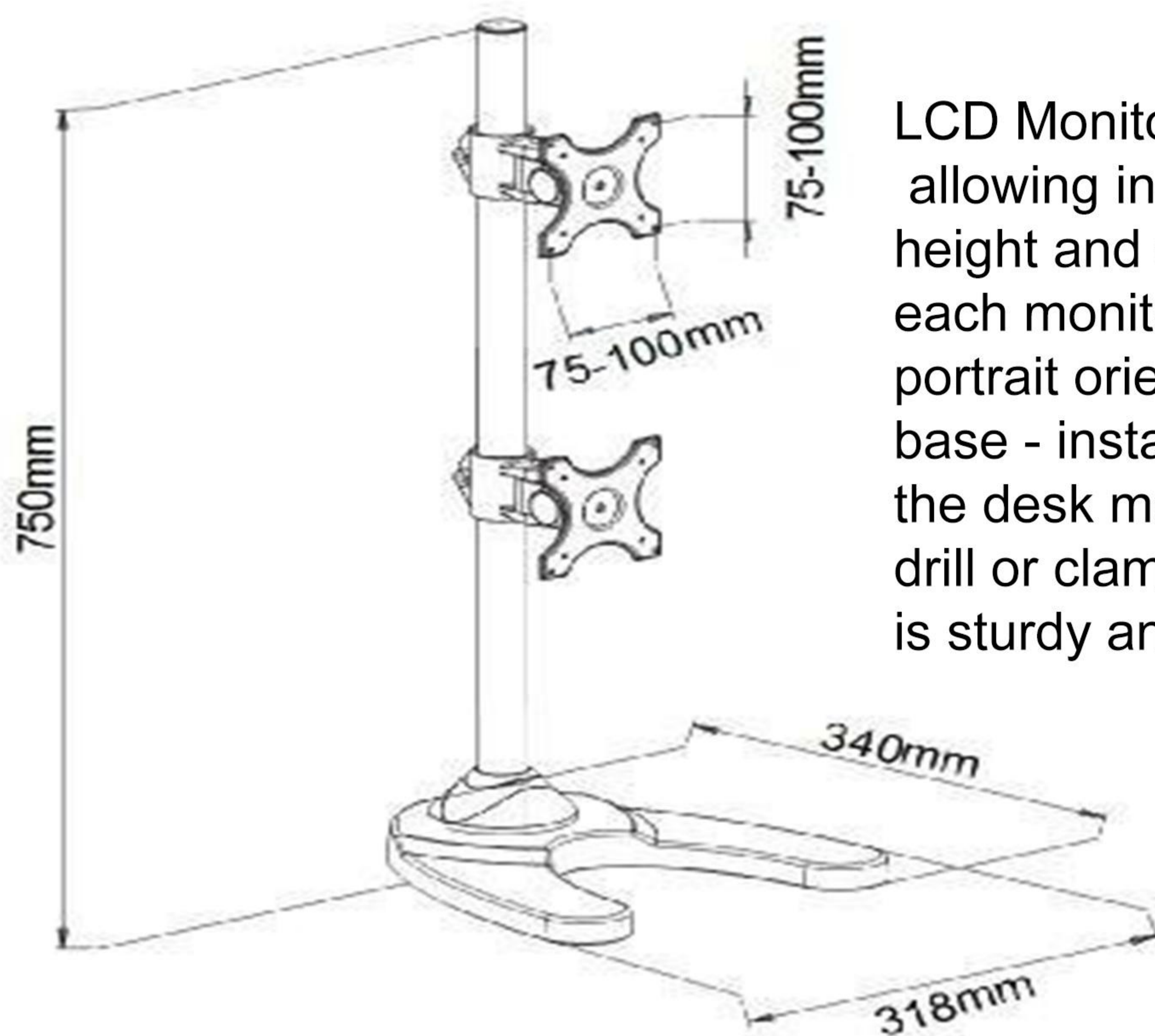


Adjustable brackets offer 45° tilt, 360° swivel, 360° rotation, and height adjustment along the center pole.

Keep your power and AV cables clean and organized with detachable cable clips on the center pole.



The bottom of the base features padding to protect your desk from scratches



LCD Monitor Stand mounts two monitors allowing independent adjustment of height and angle for each screen. Rotate each monitor 90° to view in landscape or portrait orientation. Comes with a free-standing base - instant setup. Ideal solution for above the desk monitor mounting. No need to drill or clamp on to the desk. The base platform is sturdy and heavy enough to maintain stability.

Features

- ❖ Dual monitor mount fitting two screens 13" to 27" in size and 10 kg in weight with 75x75mm or 100x100mm backside mounting holes.
- ❖ Adjustable brackets offer 45° tilt, 360° swivel, 360° rotation, and height adjustment along the center pole. Monitors can be placed in portrait or landscape shape.
- ❖ **HEAVY DUTY BASE:** Provides excellent stability. The bottom of the base features padding to protect your desk from scratches.
- ❖ **INTEGRATED CABLE MANAGEMENT:** Keep your power and AV cables clean and organized with detachable cable clips on the center pole.
- ❖ Mounting your monitor is a simple process with removable VESA plates. We provide all the necessary tools and hardware for easy assembly..

CONTACT US