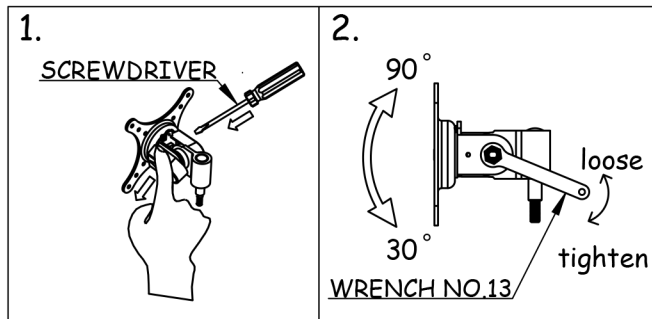
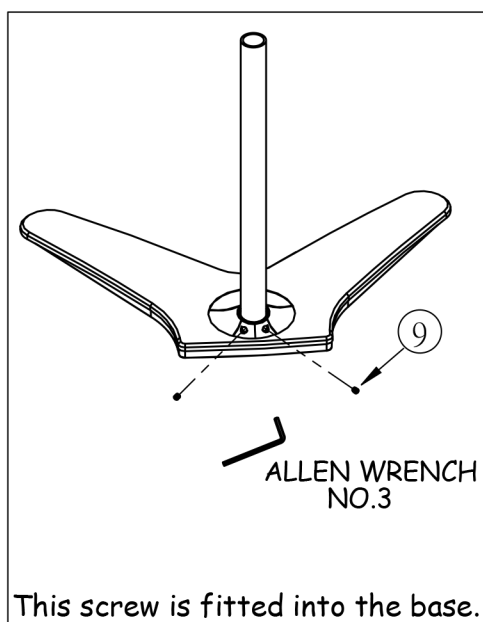


Why my monitors keep flopping?

Answer: Please follow steps below to set the tilting angle



1. Locate the two caps which are on each side of the axis of the monitor bracket.
2. Use a flat-blade screwdriver to push open the caps.
3. Loosen the nut adjust the tilting angle then tighten the nut again.



2MSFP-T

Item	Spare parts	Q'ty
1	LCD MOUNT ASSEMBLY	2
2	FOLD ARM	2
3	SPRING WASHER ϕ 5/16"	2
4	WASHER ϕ 8* ϕ 13	2
5	NYLON NUT 5/16"-18UNC	2
6	WASHER ϕ 12.5* ϕ 25*T=3	2
7	CABLE CLIP	1
8	FIXED TUBE L=400mm	1
9	BRAKE SCREW M6*P1.0*L6mm (pre-fitted into Part #10 Base)	2
10	BASE	1
11	SCREW M4*P0.7*L12mm FOR LCD	8
12	WRENCH NO.13	1
13-1	ALLEN WRENCH NO.3	1
13-2	ALLEN WRENCH NO.4	1

