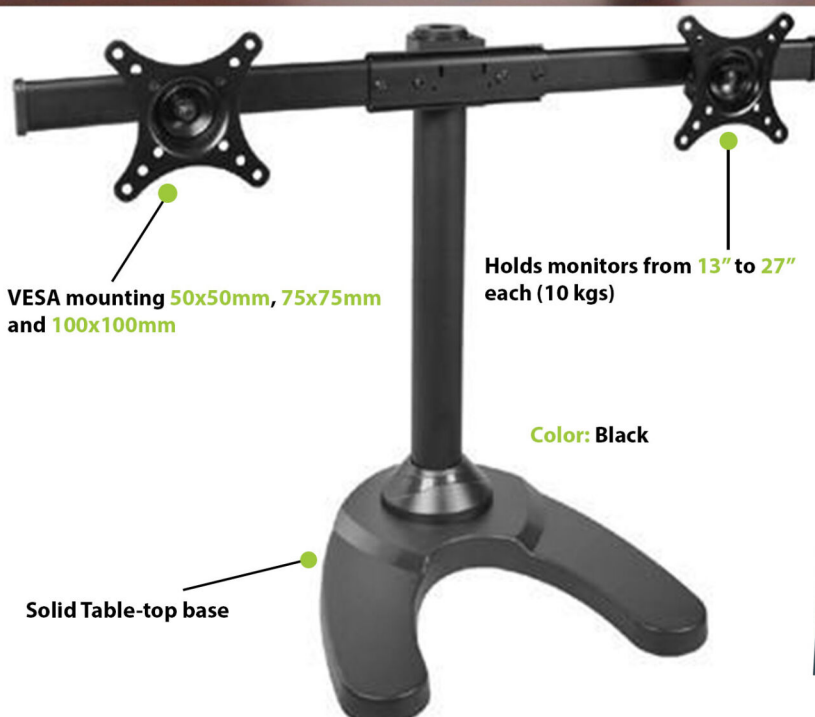


(2MS-FHW)



Ergonomic  
Comfort & Style

## Premium Dual Monitor Stand



Dual Monitor Stand or display stands or multi monitor mounts and arms, is basically designed to provide a rock solid, free-standing solution desk solution for graphic designers, stock traders, broadcasters and other users who commonly work on multiple monitor or small flat panel TVs, LCDs or monitors.



Compatible with VESA mounting  
50x50mm, 75x75mm and  
100x100mm patterns

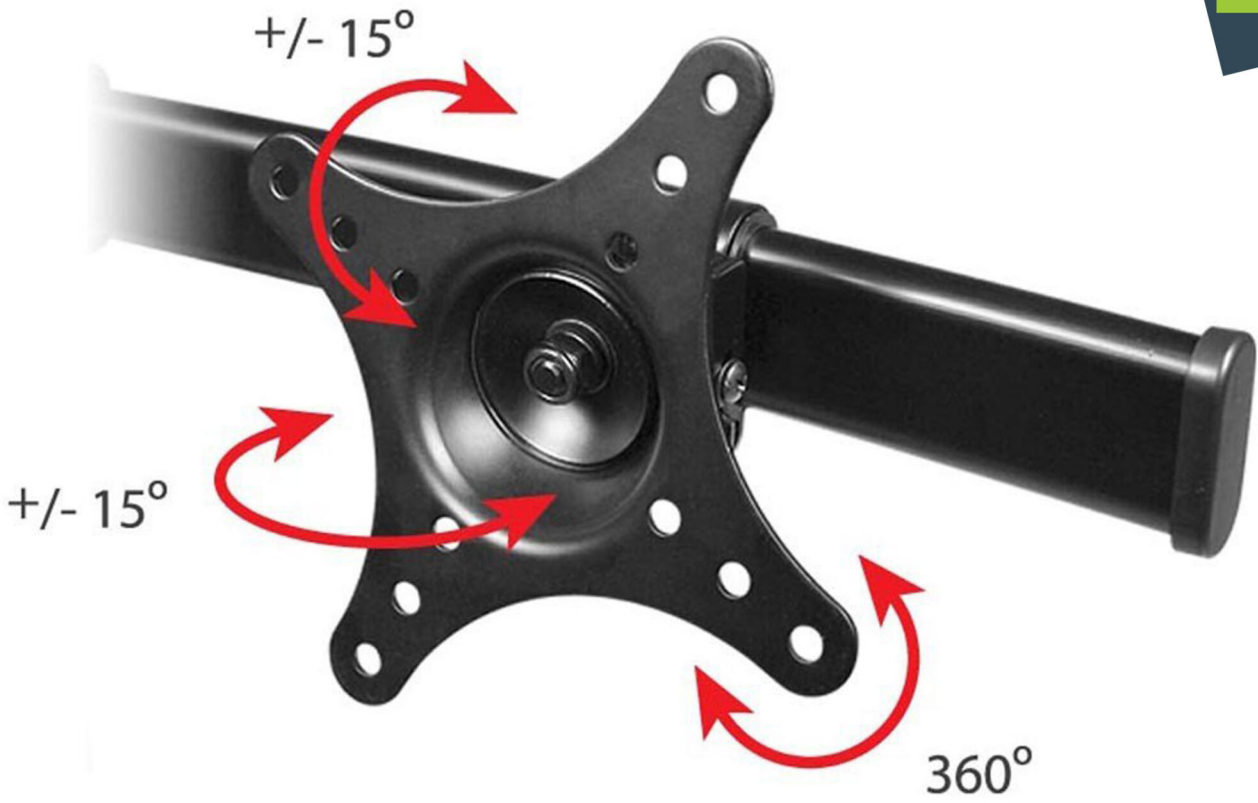


Designed for two monitors from  
13" to 27" each holds weights  
(10 kgs)v

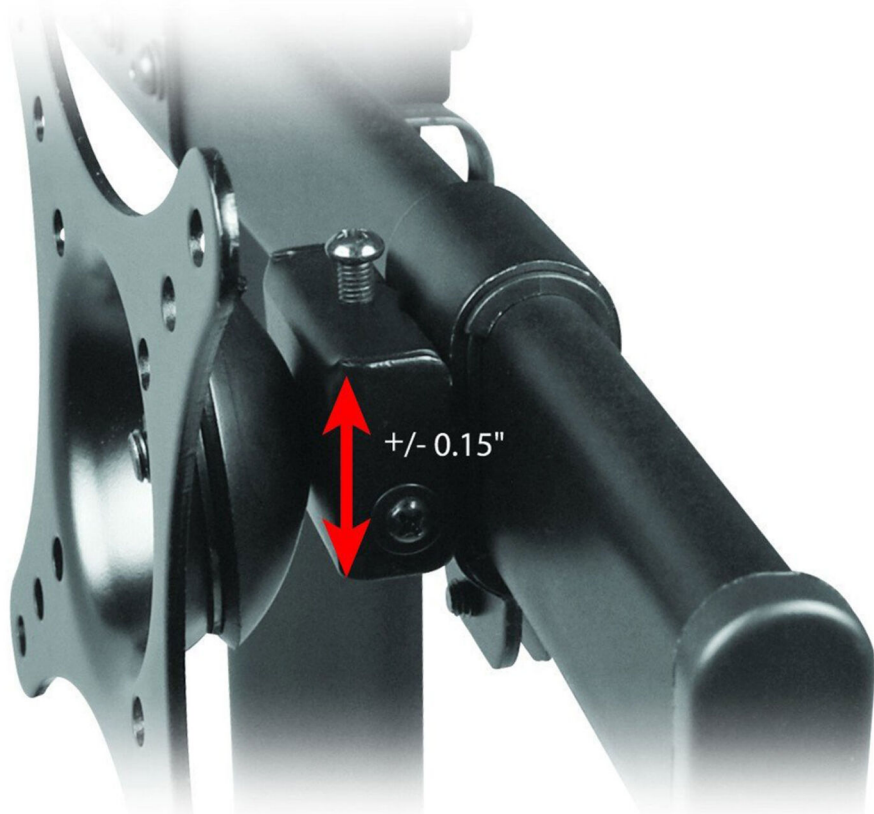


Integrated cable management  
keeps cables neat,  
organized & out of the way





Easily adjust each monitor



Fine-tune monitor for proper alignment



Integrated cable management keeps cables **neat, organized** & out of the way



Solid **table-top** base for use on any **solid/flat** surface







## Features

1. Stable desk stand designed for two monitors from 13" to 27" each (10 kgs) Multiple monitors on single base frees up valuable desk workspace.
2. Supports tilt angles of +/-15° (up & down), +/-15° swivel (left & right) and 360° rotation (portrait & landscape) for easy adjustment of viewing angle.
3. Adjust monitor support arm height from 9" to 18.5" (228mm to 470mm) & fine-tune individual monitor height +/- 0.15" (+/- 4mm) for proper alignment.
4. Supports portrait or landscape monitor orientations.
5. Installation options: Solid table-top base for use on any solid/flat surface, Through-hole/grommet mounting is compatible with surface holes 3/8" to 2.5" (10mm to 63mm) wide and up to 2.5" (63mm) thick.
6. Integrated cable management keeps cables neat, organized & out of the way.
7. Compatible with VESA mounting 50x50mm, 75x75mm and 100x100mm patterns.

## Contact us



Address 1: Ergonomic Corporation Hongkong Limited, 2nd Floor, Eton Tower, 8th Hysen Avenue Causeway Bay, Hong Kong  
Address 2: Room No. 25, Block B, 5th Floor, Mai Tak Industrial Building, 221 Wai Yip Street, Kwun Tong, Kowloon, Hong Kong  
E-mail: [sales@ergoshopping.com](mailto:sales@ergoshopping.com), Website: [www.ergoshopping.com](http://www.ergoshopping.com), Tel: 852-98226451