

Heavy-Duty Dual Monitor Stand



2HDC

Heavy-Duty Dual Monitor Stand

This wide dual monitor mount can be changed the height, angle, and depth. It's effortless rotation and positioning give you access to move it in any direction. This arm stand allows you to work in a healthy posture by setting the monitor at an optimal distance and height. The versatility of monitor placing allows for ergonomic positioning which encourages proper body setup and helps reduce strain on the neck, shoulders, and eyes.

Specifications:-

- Monitors up to 32"
- VESA: 75 x 75mm, 100 x 100mm
- Tilt: +90°/-90°
- Swivel: +25°/-25°
- Rotate: 360°
- Material: Aluminum Alloy
- Weight Capacity: 12 kgs (26.4lbs) per monitor
- Color: Black



Heavy Duty C-Clamp Mounting

The heavy-duty C-clamp easily attaches to the edge of a desk or table, the grommet mounting base option can be used with desks that have a hole to secure through.

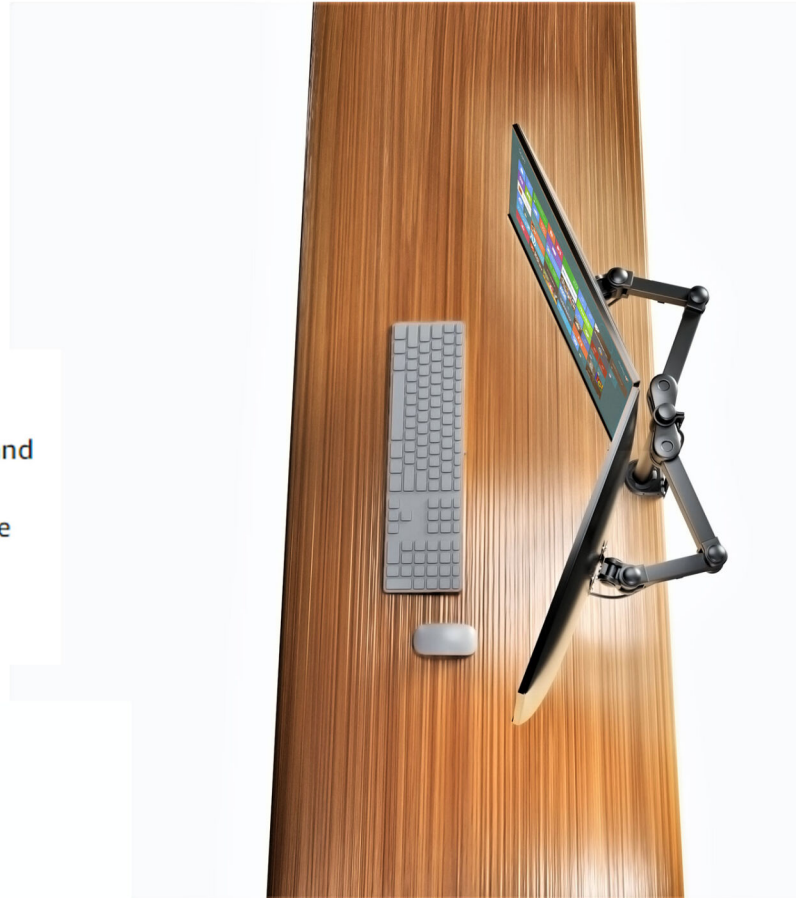


AMPLE OF SPACE

A sturdy base supports two monitor arms, helping you save space and reduce clutter. Cable clips keep cables organized and protected. Just enjoy your hours of work, games, or viewing in a more comfortable environment.

ARTICULATED ARMS

Six upper joints with 180-degree articulation and can be tightened to make the arms fluid or stationary as desired. This move gives users the freedom to place monitors in the most comfortable viewing position.

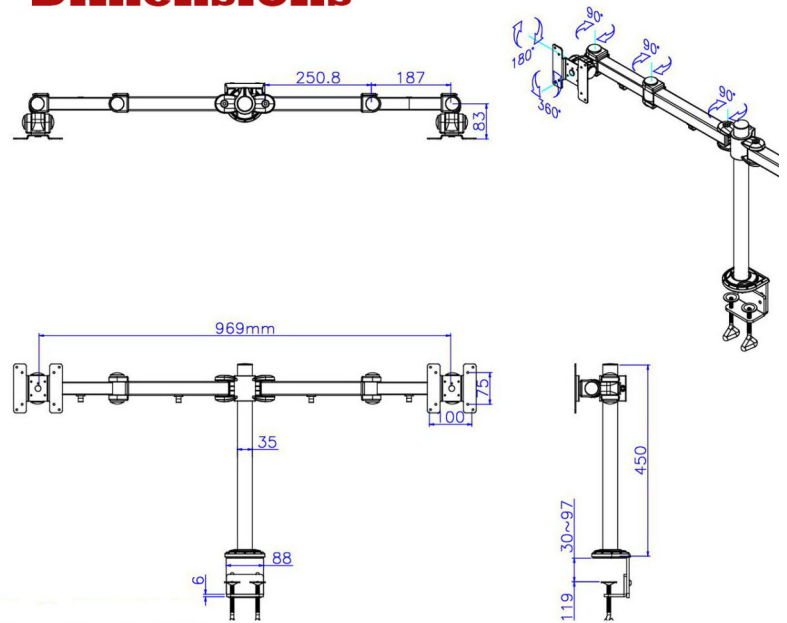


CABLE MANAGEMENT

A simple cable management clip snaps onto the center pole keeping AV and power cords clean and organized. Cable clips keep potentially messy cords organized and out of the way for a clean appearance.



Dimensions

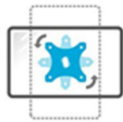


ERGONOMIC BENEFITS

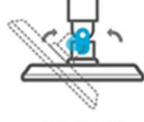
The versatility of monitor placing allows for ergonomic positioning which encourages proper body setup and helps reduce strain on the neck, shoulders, and eyes.



Tilt
+90° to -90°



Rotation
+180° to -180°



Swivel
+45° to -45°



Our monitor gives you a comfortable experience and viewing angles with $\pm 90^\circ$ tilt, $\pm 45^\circ$ swivel, and 360° rotation with height adjustment along the center pole for ergonomic screen positioning

Contact us

Ergonomic
Comfort & Style

Address 1: Ergonomic Corporation Hongkong Limited, 2nd Floor, Eton Tower, 8th Hysen Avenue Causeway Bay, Hong Kong

Address 2: Room No. 25, Block B, 5th Floor, Mai Tak Industrial Building, 221 Wai Yip Street, Kwun Tong, Kowloon, Hong Kong

E-mail: sales@ergoshopping.com, Website: www.ergoshopping.com, Tel: 852-98226451