



Article No	:	
Version	:	09.23
Prepared By	:	
Checked By	:	

EMERGENCY LIGHT REMOTE SIGN



ORDERING INFORMATION

Product Code	Operating Voltage	Power
CR-7084A	DC 3.6-24 V	2.4 W
CR-7084B	DC 3.6-24 V	4.8 W

FEATURES

- LED Technology
- High Visibility
- Multiple Mounting Options
- Battery Backup for power cut situations
- Photoluminescent Signs that glow in Dark
- Follow Compliance and Regulations- UL Listed

SPECIFICATIONS

Operating Temperature	-10°C - +45°C
Product Wattage	2.4W
Input Voltage Range	3.6-24 VDC
Input Frequency	60Hz
Power Factor	1
Battery	N/L
Charging Time	N/L
Discharge Time	N/L
Mounting	Wall
Finish	White
Frame Material	ABS
Ingress Protection	IP20
Impact Protection	03

Our LED Remote Heads are manufactured using high-quality plastic, offering a lightweight yet robust solution for emergency lighting. One of the distinct advantages of utilizing plastic is its resistance to rust and corrosion, making these remote heads ideal for environments prone to moisture, such as swimming pools. Designed for effortless installation, our emergency light remote heads are a durable and reliable choice for various applications.



Warranty



Rated Life



(864) 401-8156

sales@krutled.com

111 Preamble Ct, Anderson, SC- 29621, United States.

All rights reserved. Krut LED reserves the right to make changes to specifications and/or discontinue any product at anytime without the notice. Information presented in this document is reliable and accurate, it does not represent any quotation or contact. No liability will be accepted by the contributor by the publisher for any consequences for its use. Reproduction in whole or part is prohibited without prior consent of the copyright owner.

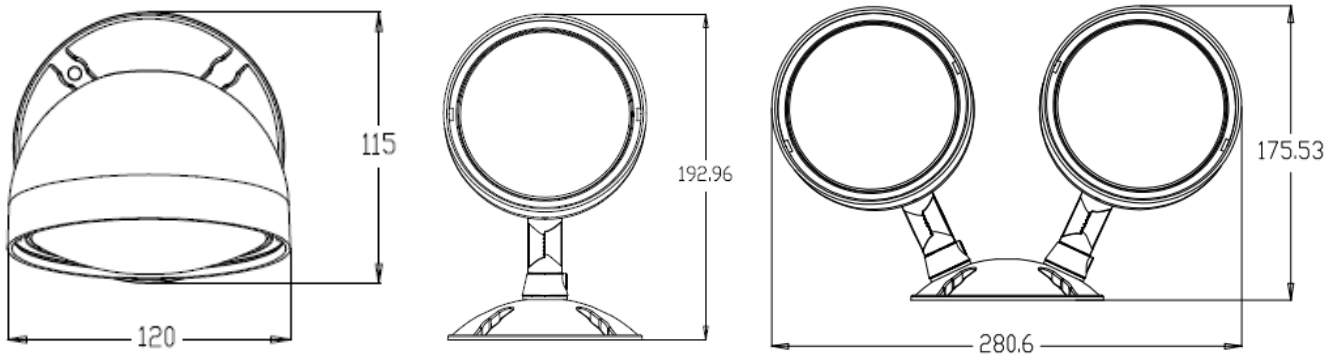


Article No	:	
Version	:	09.23
Prepared By	:	
Checked By	:	

OPTICAL PARAMETERS

Total Lumens (Min)	163lm
Product Efficacy (Min)	78.1 lm/W
Product CCT	6500K
CCT Range	5500-7500K
Product CRI	> 80 Ra
Product Beam Angle	40.8 DEG

DIMENSION



SHIPPING

Product Dimension (in)	Case Lot	Master Carton Dim. (in)	40' HQ Container Qty	Pallet Qty
7.60 x 4.53 x 4.72	10	22.79 x 10.83 x 15.94	1084 Nos	108 Nos

(864) 401-8156

sales@krutled.com

111 Preamble Ct, Anderson, SC- 29621, United States.

All rights reserved. Krut LED reserves the right to make changes to specifications and/or discontinue any product at anytime without the notice. Information presented in this document is reliable and accurate, it does not represent any quotation or contact. No liability will be accepted by the contributor by the publisher for any consequences for its use. Reproduction in whole or part is prohibited without prior consent of the copyright owner.



Article No	:	
Version	:	09.23
Prepared By	:	
Checked By	:	

INSTALLATION INSTRUCTIONS

When using electrical, basic safety precautions should always be followed including the following.

1. Disconnect power at fuse or circuit breaker before installing or servicing.
2. Suitable for Wet location.
3. Do not mount in hazardous locations, or near gas or electric heaters.
4. Do not let power cords touch hot surface.
5. Equipment should be mounted in locations and at heights where it will not be subjected to tampering by unauthorized personnel.
6. The use of accessory equipment not recommend by the manufacturer may cause an unsafe condition.
7. Do not use this equipment for other than intended use.
8. All servicing should be performed by a qualified personnel only.

Instruction

Connect wires to DC 3.6~24V supply in accordance with local and national code, red wire is for positive, black wire is for negative.

Notice: This remote head is constant power, have to match specified emergency battery backup equipment recommend by manufacturer, if use other manufacturer's emergency unit, have to test and confirm discharge time in advance.

Wiring Diagram

