



Rowan Engineering

Single Shot Loader .177 and .22 cal. FX Maverick

Thank you for your purchase. Please read these fitting instructions before using the loader.

Your kit should contain –

1 off FX SSL

1 off 1.5mm allen key

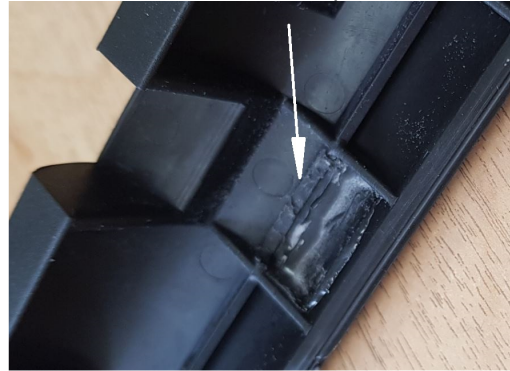
2x M4 flat washers

Safety first.

Observe safe practices when handling your rifle and follow the manufacturer's safety instructions when doing so. Take extra care when working on your rifle. Ensure that the rifle is un-cocked and the safety catch is set to safe and is absolutely not loaded with pellets.

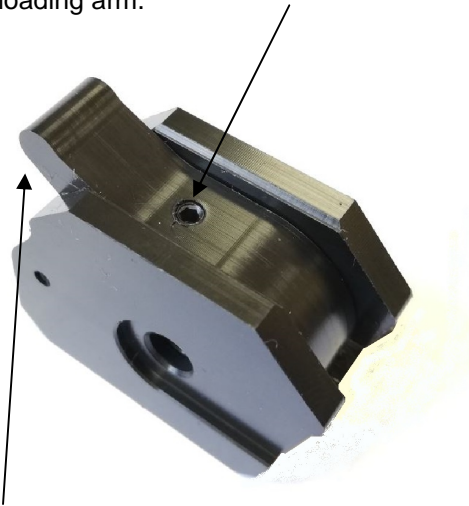
1. Before fitting the loader, please read and understand these instructions fully. The loader can only be fitted from the normal magazine loading side on the right. This is done in a similar manner as fitting the FX multi-shot magazine and is retained by a friction fit / oring on the face of the loader.

2. The cheek piece will need to be removed for the internal rib to be modified. The rib prevents the loader from sitting fully into the rifle. With a knife or small hand grinder (Dremel) carefully grind / cut the rib away to be flush with the inside surface of the cheek piece.



3. 2x M4 washer are supplied to space the cheek piece from the breach block to provide a little further clearance if required. (Insert these between the cheek piece and breach block of the rifle).

4. The top adjustment grub screw can apply more or less pressure to swell the pellet 'grip o'ring' such that the pellet is gently retained in the loading arm.



3. Open and close is by using the small lever on the side of the loader arm

Loader fitted to the rifle.

