



We Recommend...



2 People



Rubber Mallet



Level Area

Setup Tips

- For a comfortable night's rest, clear your camp area of debris before setting up your tent.
- When opening for the first time, the rainfly is rolled together with the tent body.
- Lay out all of the contents of the bag and assemble all tent poles before setting up your tent.
- Push the poles through the sleeves, don't pull.
- Make sure the sleeve fabric is evenly distributed to avoid catching the pole section ends.

Pin-and-Ring System



Pin-and-Ring: Pins are inserted into the orange end of the steel leg poles to secure tent construction.

Webbed Loop: Insert stakes through these loops to keep the tent secured to the ground.

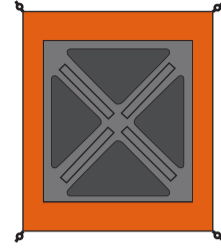
Need some help?

☎ 1-888-775-5628

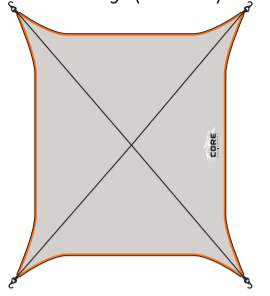
➔ coreequipment.com

Contents & Repair Parts

Tent



Rainfly (91548)



Steel Leg Poles (91545)



Stakes (90014)

x 16



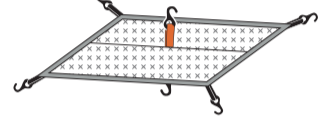
Roof Poles (91546)



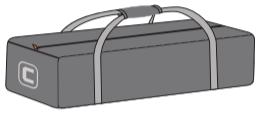
Plastic Corner Joints (91524)



Gear Loft (91549)



Carry Bag (91550)



1 Stake Tent

- Pull tent out flat and tight
- Drive stakes through all webbed loops (fig. 1)
- You may need to adjust stakes after setup

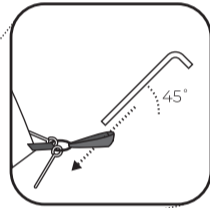
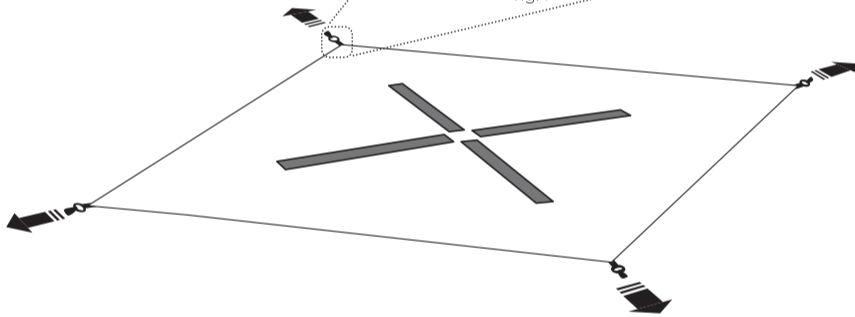


fig. 1

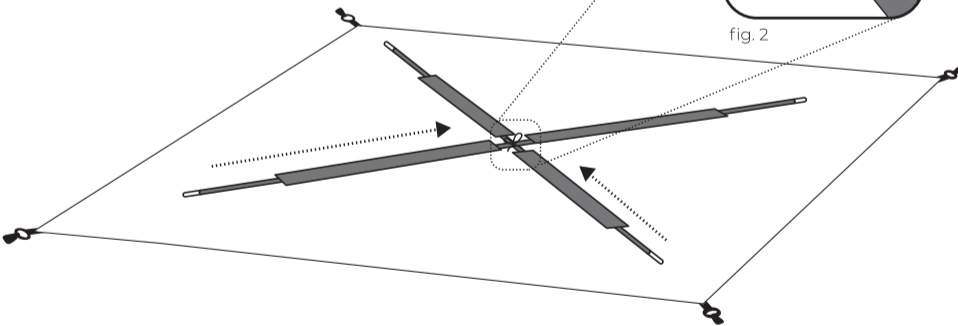


2 Insert Gray Poles

- Push gray poles through gray sleeves on roof
- Tie fastener to both poles at the intersection (fig. 2)



fig. 2

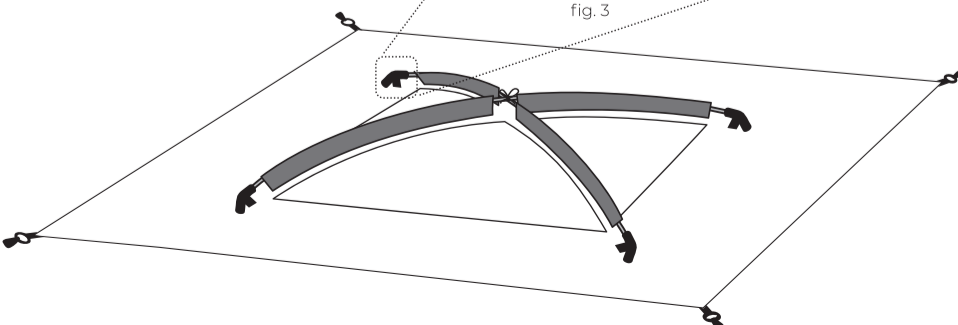


3 Secure Pole Ends

- Flex poles into an arch and insert each end into the ribbed side of the corner joint (fig. 3)



fig. 3



4 Insert Black Steel Leg Poles

- Position the orange-capped end of each steel pole over the corresponding corner pin and insert pin into hole in orange cap (fig. 4)
- Push top of each steel pole into the smooth end of plastic corner joint
- Be sure to keep the metal rings facing outwards to attach the hooks on the rainfly

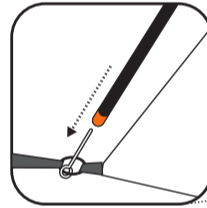


fig. 4



5 Secure Tent to Poles

- Clip plastic hooks on tent to all steel poles (fig. 5)



fig. 5



6 Attach Rainfly

- Drape rainfly over the tent, aligning CORE® logo above the door
- Secure S-hooks to metal rings located midway up on the black poles (fig. 6)
- Attach rainfly to poles using hook-and-loop fasteners located under the rainfly (fig. 7)
- Extend attached guylines and stake out
- Extend and stake out air vents

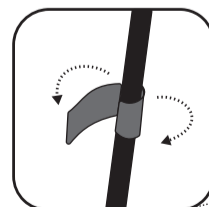


fig. 7



fig. 6



Take Down Instructions:

- Remove stakes from guylines and ground vent. Store in stake bag.
- Disconnect rainfly S-hooks from metal rings located on front and back of tent.
- Unfasten hook-and-loop fasteners on the underside of the rainfly from poles.
- Remove rainfly and fold into thirds lengthwise. This will be rolled up with the tent.
- Remove steel poles from the pins on pin-and-ring system and allow tent to lay flat.
- Remove the roof poles by carefully pushing poles through the sleeves away from the end at which you are standing.
- Disassemble all poles and place in pole bag.
- Remove remaining stakes. Store in stake bag.
- Fold tent lengthwise 2-3 times so the tent width is even with the carry bag. Place folded rainfly on top of tent.
- Lay bag of poles on edge of tent and rainfly. Then roll around poles.
- Store in carry bag with bag of stakes.

Frequently Asked Questions:

- **Are replacement parts available?** Yes, call Customer Service at 1-888-775-5628 for replacement parts. All parts can be replaced.
- **How do I get everything back in the bag?** The trick is to take your time and remove all the air. Use the weight of the poles to roll the tent on the ground and force air out.
- **What are the ground vents?** The ground vents are designed to help with air flow throughout the tent, which keeps the tent cooler in warm weather and prevent condensation. It can be staked shut in colder weather.
- **How to clean the tent?** Clean the tent with a soft sponge, mild soap and tepid water. Be sure to scrub gently and remove all soap. Let dry in sunlight, which also naturally cleans the tent.
- **What is the wall plug symbol?** That is a port for an electrical cord to access your tent. The electrical cord can be used on a campsite with power or with a generator outside your tent. It closes fully when not in use.
- **Can the tent be used in the rain?** Absolutely. The tent and rainfly have a water-resistant treatment, and the seams have been sealed with water-resistant tape at the factory.
- **How many seasons is this tent?** This is a 2-3 season tent, not recommended for use in severe weather conditions.
- **What are the dimensions of the tent?** The tent is 10' x 9' x 76" (3.05m x 2.74m x 1.93m).

1-Year Limited Warranty:

CORE® Equipment and Elevate LLC warrants for a period of one year from the original date of purchase, this product against any defects in materials or workmanship. At its discretion, CORE® Equipment may provide replacement parts to original purchaser. Original receipt or proof of purchase as well as proof of defect in the form of a photograph or video is required. CORE® Equipment will not be responsible for shipping costs incurred outside the continental USA. Warranty is valid for the original purchaser one year from the date of purchase and is not transferable.

This warranty does not cover any product purchased through unauthorized dealers/distributors and/or unauthorized resellers on online auction websites. CORE® uses approved and authorized distributors to furnish quality products, and CORE® provides warranty coverage only on products purchased from those distributors. If the product was purchased from an unauthorized reseller, this warranty does not apply. Unauthorized resellers may sell products that are used, defective, counterfeit, or which may not be designed for use in that specific country. To determine whether the seller of a CORE® Equipment product is one that has been approved and authorized by Elevate LLC owner of the CORE® Equipment brand, please contact help@coreequipment.com or call customer service at 1-888-775-5628.

This 1-Year Limited Warranty does NOT cover normal wear and tear, abuse or misuse of this product including damage from inclement weather conditions, such as wind, rain or hail. In case of inclement weather, remove all valuables and persons and seek appropriate shelter. Under no circumstances will CORE® Equipment or Elevate LLC be liable or responsible for any incidental or consequential damages. This product is designed and intended for recreational use only. Prolonged exposure to UV rays will cause any fabric to fade and deteriorate and is NOT covered by this 1-Year Limited Warranty. All replacement products or parts will assume the remaining warranty of the original product. This warranty gives you specific legal rights. You may also have other rights which vary from state to state. To obtain Warranty Service: Call Toll Free 1-888-775-5628 for warranty service, repair parts or product questions. Monday - Friday, 8:00 a.m. - 5:00 p.m. Central Time.

Warnings and Cautions:

⚠ **WARNING: KEEP ALL FLAME AND HEAT SOURCES AWAY FROM THIS TENT FABRIC**

This tent is made of flame-resistant fabric which meets CPAI-84 specifications. **IT IS NOT FIREPROOF.** The fabric will burn if left in continuous contact with any flame source. The application of any foreign substance to the product fabric may render the flame-resistant properties ineffective.

DO NOT use fuel burning devices inside or near tent materials.

DO NOT permit children to light matches, operate burning appliances or handle any flame sources in or near the tent.

- Do not smoke, use matches, candles or open flames of any kind in or near the tent.
- Do not refuel lanterns, stoves or heaters inside tent.
- Do not cook inside tent.
- Do not store flammable liquids inside tent.

⚠ **WARNING: Keep clear of overhead power lines.**

- Do not set up your tent under trees because of potential lightning strikes or falling tree limbs in inclement weather.
- For best results in windy conditions, position narrow end of tent into the wind.
- Secure with all stakes and guylines provided to prevent property damage or personal injury.
- Under certain conditions (cold weather, high humidity, etc.) condensation will form on the inside of your tent. Condensation is caused by water vapor from your breath, perspiration or any wet clothing inside the tent. It is NOT LEAKAGE through the tent fabric. It can be minimized by removing wet clothing from your tent and by providing good ventilation throughout the tent. Never store the tent, even for a short period of time, without drying it thoroughly and brushing off caked dirt.
- Do not pack stakes inside your tent. Use a separate storage bag.
- STAKES SHOULD BE REMOVED BY PULLING ON THE STAKE ITSELF. NEVER PULL ON THE TENT TO REMOVE STAKE.
- Do not leave your tent set up for weeks at a time. Be aware that exposure to ultraviolet rays from the sun can seriously damage material and/or cause it to become discolored.



DO NOT SPRAY!

IMPORTANT:

THE ORIGINAL FIRE RETARDANT AND WATER-REPELLENT PROTECTIVE COATINGS MAY BE COMPROMISED IF SPRAYS OR OTHER CHEMICAL TREATMENTS ARE USED ON THE TENT. FABRIC HAS BEEN FACTORY TREATED. IT IS HIGHLY WATER-REPELLENT; HOWEVER, IT IS NOT WATERPROOF. ALL TENTS CAN EXPERIENCE SEAM LEAKAGE DURING WET WEATHER. IF YOU WANT ADDITIONAL MOISTURE PROTECTION, TRY A SEAM-SEALING COMPOUND ONLY; STRICTLY FOLLOW THE MANUFACTURER'S DIRECTIONS. IT IS RECOMMENDED THAT YOU SEAL THE TENT DURING THE INITIAL SETUP AS WELL AS PRIOR TO EACH CAMPING SEASON. SEAM SEALER COMPOUNDS CAN BE PURCHASED AT YOUR LOCAL CAMPING PRODUCTS OUTLET. FOR MISSING PARTS CALL 1-888-775-5628.

PLEASE DO NOT RETURN THIS PRODUCT TO THE RETAIL STORE.



Elevate LLC
Overland Park, KS 66223

Made in Bangladesh · Printed in Bangladesh