

**CORE** 8 Person Performance Instant Tent  
13ft x 9ft x 74in

Model #40234



**We Recommend...**



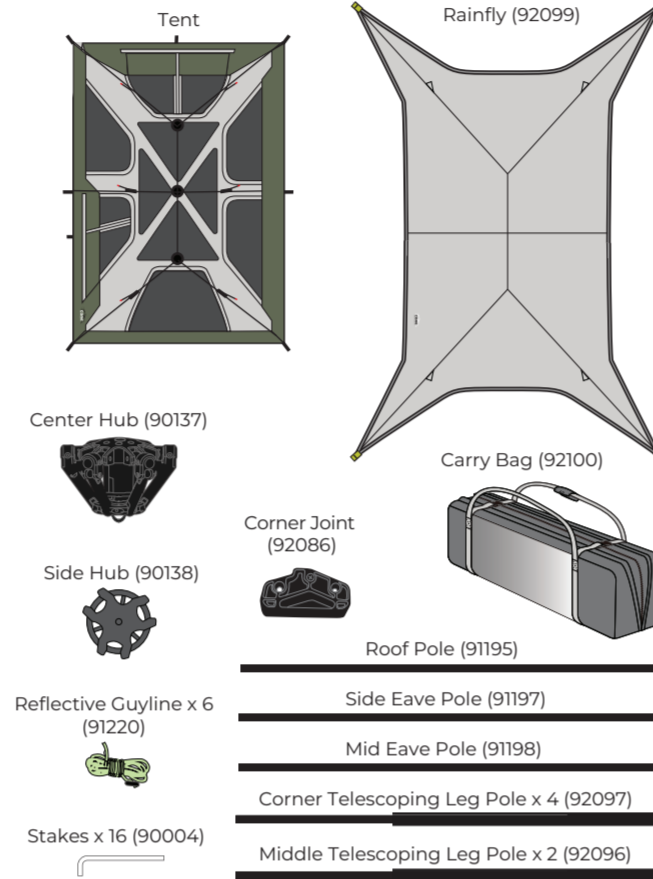
**Setup Tips**

- For a comfortable night's rest, clear your camp area of debris before setting up your tent.
- When opening for the first time, the rainfly is rolled together with the tent body.
- Lay out all of the contents of the bag and assemble all tent poles before setting up your tent.
- For best results in windy conditions, position narrow end of tent into the wind.
- Secure with all stakes and guylines provided to prevent property damage or personal injury.

**Need some help?**

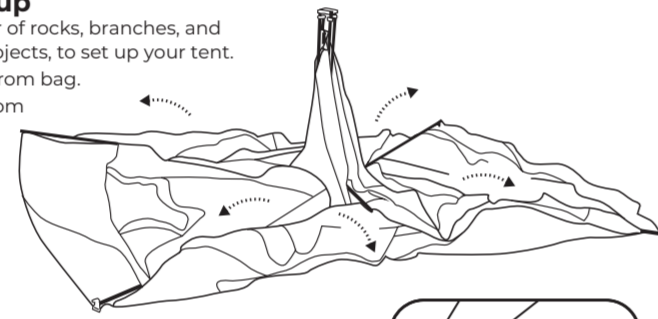
1-888-775-5628  
coreequipment.com

**Contents & Repair Parts**



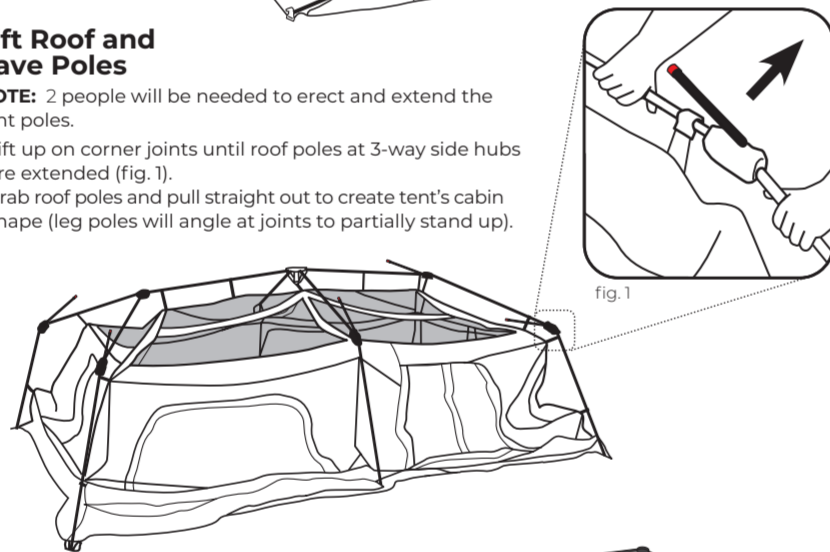
**1 Prepare for Setup**

- Select a level site clear of rocks, branches, and other hard or sharp objects, to set up your tent.
- Remove all contents from bag.
- Unfold (6) leg poles from the pod shape.
- Unfold legs again at joints, to lay tent flat. Center will stand up.



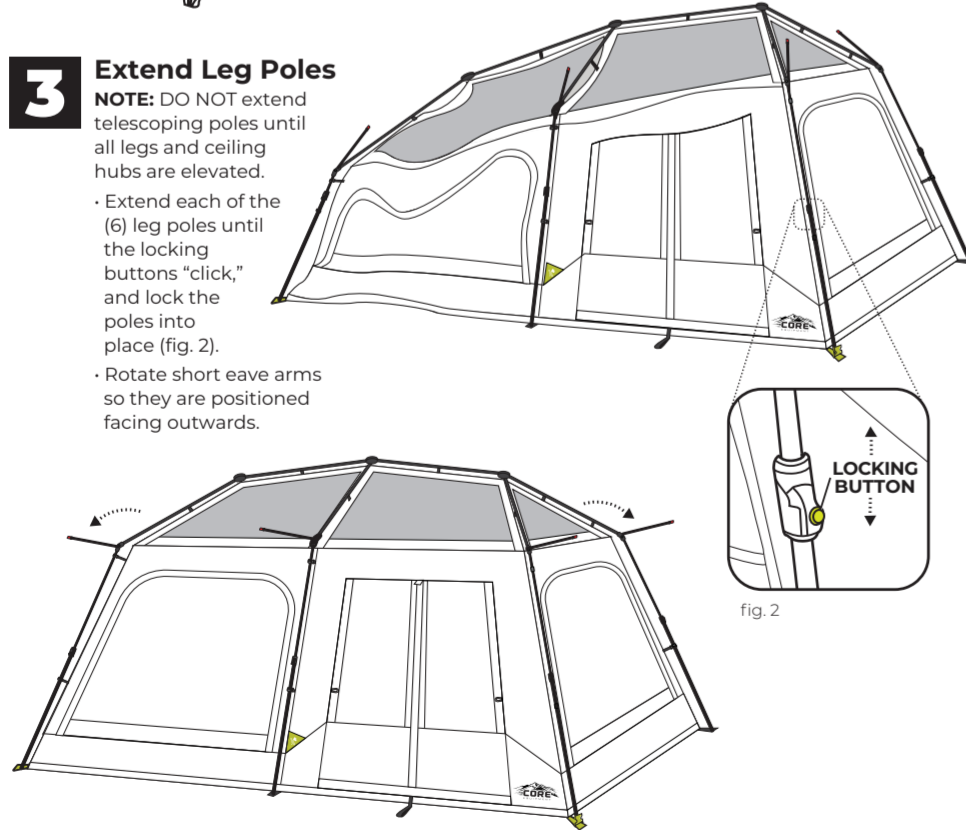
**2 Lift Roof and Eave Poles**

- NOTE:** 2 people will be needed to erect and extend the tent poles.
- Lift up on corner joints until roof poles at 3-way side hubs are extended (fig. 1).
- Grab roof poles and pull straight out to create tent's cabin shape (leg poles will angle at joints to partially stand up).



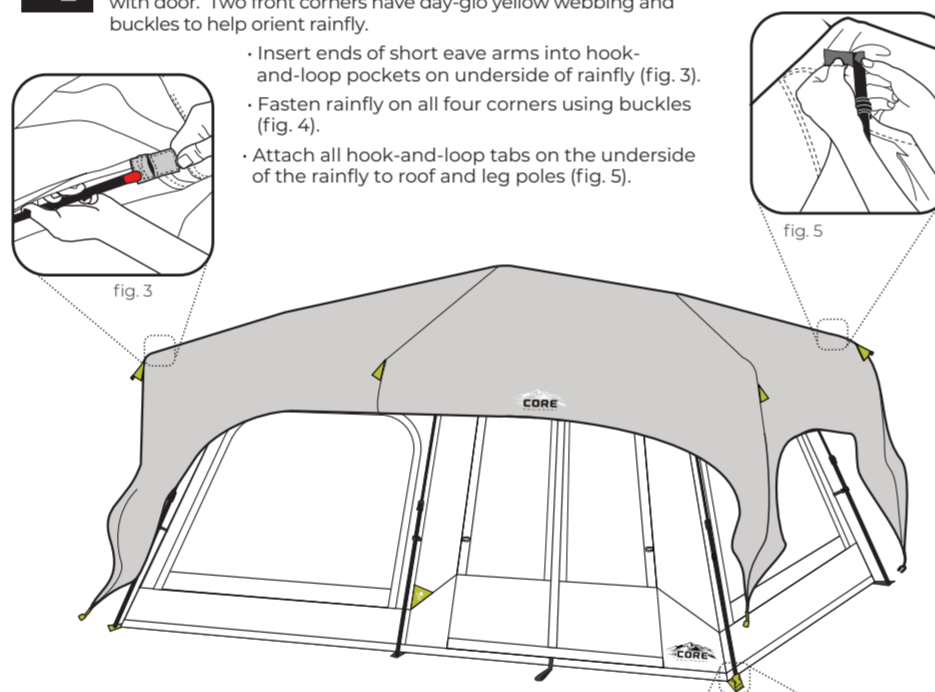
**3 Extend Leg Poles**

- NOTE:** DO NOT extend telescoping poles until all legs and ceiling hubs are elevated.
- Extend each of the (6) leg poles until the locking buttons "click," and lock the poles into place (fig. 2).
- Rotate short eave arms so they are positioned facing outwards.



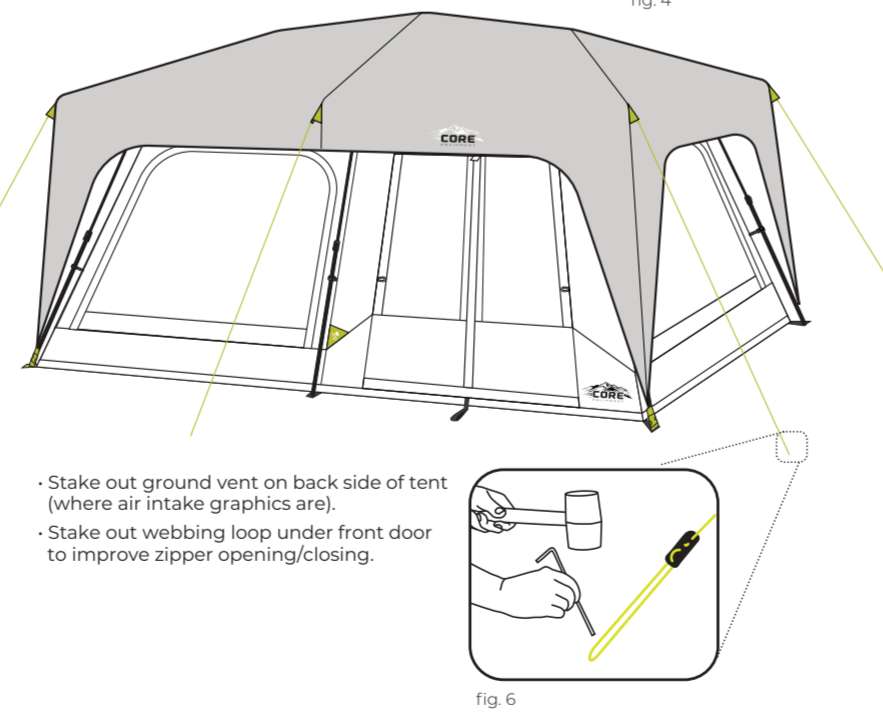
**4 Attach Rainfly**

- Drape rainfly over tent, placing "CORE" to the front side of tent with door. Two front corners have day-glo-yellow webbing and buckles to help orient rainfly.
- Insert ends of short eave arms into hook-and-loop pockets on underside of rainfly (fig. 3).
- Fasten rainfly on all four corners using buckles (fig. 4).
- Attach all hook-and-loop tabs on the underside of the rainfly to roof and leg poles (fig. 5).



**5 Stake Rainfly, Secure Ground Vents and Guylines**

- Remove guylines from green guyline pockets located on rainfly.
- Stake out each guyline at a 45 degree angle. (fig. 6)
- Tighten guylines as needed by adjusting the slider up the cord.



**Take Down Instructions:**

- Leave door unzipped during take down, to allow air to escape tent.
- Pull stakes from guylines and ground vent. Store in stake bag.
- Release hook and loop fasteners on the underside of rainfly from poles.
- Remove short eave arms from hook-and-loop pockets on the underside of rainfly.
- Unbuckle rainfly, remove, and fold into thirds lengthwise. This will be rolled up with the tent.
- Unlock the (6) telescoping leg poles and push down on the arm joints to collapse.
- Fold all of the collapsed poles to the center of the tent.
- Gather folded tent poles and fabric into the center to form a pod, compressing to release any air left in tent.
- Store in carry bag with bag of stakes.

**Frequently Asked Questions:**

- Are replacement parts available?** Yes, just call Customer Service at 1-888-775-5628 for replacement parts. All parts can be replaced.
- How do I get everything back in the bag?** The trick is to take your time and remove all the air. Use the weight of the poles to roll the tent on the ground and force air out.
- What are the ground vents?** The ground vents are designed to help with air flow throughout the tent, which keeps the tent cooler in warm weather and prevent condensation. It can be staked shut in colder weather.
- How to clean the tent?** Clean the tent with a soft sponge, mild soap and tepid water. Be sure to scrub gently and remove all soap. Let dry in sunlight, which also naturally cleans the tent.
- What is the wall plug symbol?** That is a port for an electrical cord to access your tent. The electrical cord can be used on a campsite with power or with a generator outside your tent. It closes fully when not in use.
- Can the tent be used in the rain?** Absolutely. The tent and rainfly have a water resistant treatment, and the seams have been sealed with water resistant tape at the factory.
- How many seasons is this tent?** This is a 2-3 season tent, not recommended for use in severe weather conditions.
- What are the dimensions of the tent?** The tent is 13' x 9' x 74" (3.96m x 2.74m x 1.88m).

**1-Year Limited Warranty:**

CORE® Equipment and Elevate LLC warrants, for a period of one year from the original date of purchase, this product against any defects in materials or workmanship. At its discretion, CORE® Equipment may provide replacement parts to original purchaser. Original receipt or proof of purchase as well as proof of defect in the form of a photograph or video is required. CORE® Equipment will not be responsible for shipping costs incurred outside the continental USA. Warranty is valid for the original purchaser one year from the date of purchase and is not transferable.

This warranty does not cover any product purchased through unauthorized dealers/distributors and/or unauthorized resellers on online auction websites. CORE® uses approved and authorized distributors to furnish quality products, and CORE® provides warranty coverage only on products purchased from those distributors. If the product was purchased from an unauthorized reseller, this warranty does not apply. Unauthorized resellers may sell products that are used, defective, counterfeit, or which may not be designed for use in that specific country. To determine whether the seller of a CORE® Equipment product is one that has been approved and authorized by Elevate LLC owner of the CORE® Equipment brand, please contact help@coreequipment.com or call customer service at 1-888-775-5628.

This 1-Year Limited Warranty does NOT cover normal wear and tear, abuse or misuse of this product including damage from inclement weather conditions, such as wind, rain or hail. In case of inclement weather, remove all valuables and persons and seek appropriate shelter. Under no circumstances will CORE® Equipment or Elevate LLC be liable or responsible for any incidental or consequential damages.

This product is designed and intended for recreational use only. Prolonged exposure to UV rays will cause any fabric to fade and deteriorate and is NOT covered by this 1-Year Limited Warranty. All replacement products or parts will assume the remaining warranty of the original product. This warranty gives you specific legal rights. You may also have other rights which vary from state to state. To obtain Warranty Service: Call Toll Free 1-888-775-5628 for warranty service, repair parts or product questions. Monday - Friday, 8:00 a.m. - 5:00 p.m. Central Time.

**Warnings and Cautions:**

**⚠ WARNING: KEEP ALL FLAME AND HEAT SOURCES AWAY FROM THIS TENT FABRIC**

This tent is made of flame-resistant fabric which meets CPAI-84 specifications. IT IS NOT FIREPROOF. The fabric will burn if left in continuous contact with any flame source. The application of any foreign substance to the product fabric may render the flame-resistant properties ineffective.

**DO NOT** use fuel burning devices inside or near tent materials. **DO NOT** permit children to light matches, operate burning appliances or handle any flame sources in or near the tent.

Do not smoke, use matches, candles or open flames of any kind in or near the tent.

Do not refuel lanterns, stoves or heaters inside tent.

Do not cook inside tent.

Do not store flammable liquids inside tent.

**⚠ WARNING: Keep clear of overhead power lines.**

Do not set up your tent under trees because of potential lightning strikes or falling tree limbs in inclement weather.

For best results in windy conditions, position narrow end of tent into the wind.

Secure with all stakes and guylines provided to prevent property damage or personal injury.

Under certain conditions (cold weather, high humidity, etc.) condensation will form on the inside of your tent. Condensation is caused by water vapor from your breath, perspiration or any wet clothing inside the tent. It is NOT LEAKAGE through the tent fabric. It can be minimized by removing wet clothing from your tent and by providing good ventilation throughout the tent. Never store the tent, even for a short period of time, without drying it thoroughly and brushing off caked dirt.

Do not pack stakes inside your tent. Use a separate storage bag.

STAKES SHOULD BE REMOVED BY PULLING ON THE STAKE ITSELF. NEVER PULL ON THE TENT TO REMOVE STAKE.

Do not leave your tent setup for weeks at a time. Be aware that exposure to ultraviolet rays from the sun can seriously damage material and/or cause it to become discolored.



**DO NOT SPRAY!**

**IMPORTANT:** THE ORIGINAL FIRE RETARDANT AND WATER-REPELLENT PROTECTIVE COATINGS MAY BE COMPROMISED IF SPRAYS OR OTHER CHEMICAL TREATMENTS ARE USED ON THE TENT. FABRIC HAS BEEN FACTORY TREATED. IT IS HIGHLY WATER-REPELLENT; HOWEVER, IT IS NOT WATERPROOF. ALL TENTS CAN EXPERIENCE SEAM LEAKAGE DURING WET WEATHER. IF YOU WANT ADDITIONAL MOISTURE PROTECTION, TRY A SEAM SEALING COMPOUND ONLY; STRICTLY FOLLOW THE MANUFACTURER'S DIRECTIONS. IT IS RECOMMENDED THAT YOU SEAL THE TENT DURING THE INITIAL SETUP AS WELL AS PRIOR TO EACH CAMPING SEASON. SEAM SEALER COMPOUNDS CAN BE PURCHASED AT YOUR LOCAL CAMPING PRODUCTS OUTLET.

**PLEASE DO NOT RETURN THIS PRODUCT TO THE RETAIL STORE.**



Distributed by Elevate LLC.  
8681 West 137th Street  
Overland Park, KS 66223 USA.  
©2022 Elevate LLC. All rights reserved.  
CORE is a trademark owned by Insight 2 Design LLC and Elevate, LLC.

Made in Bangladesh · Printed in Bangladesh

Revised 4/22/22

