

CORE® 13' x 13' Instant Canopy

13ft x 13ft x 114in

Model #40155



We Recommend...



2 People



Rubber Mallet



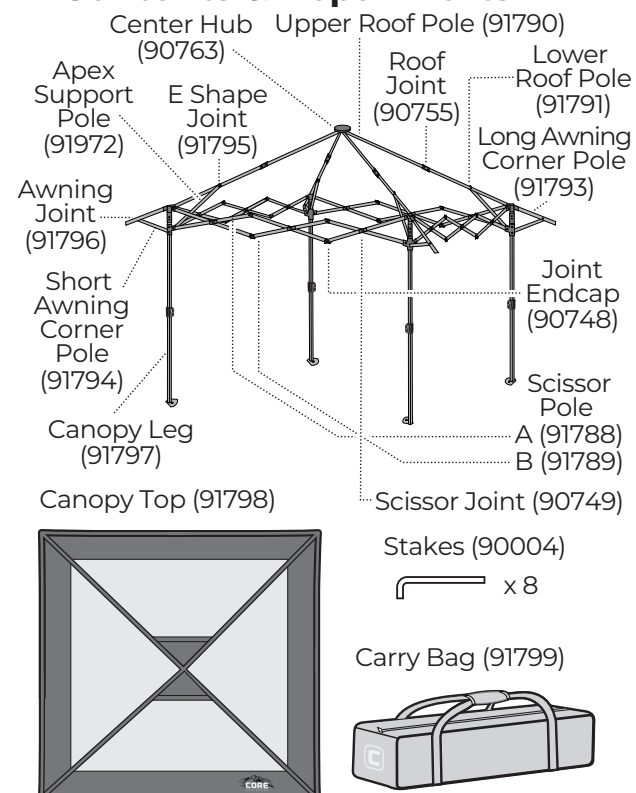
Level Area

Need some help?

☎ 1-888-775-5628

➔ coreequipment.com

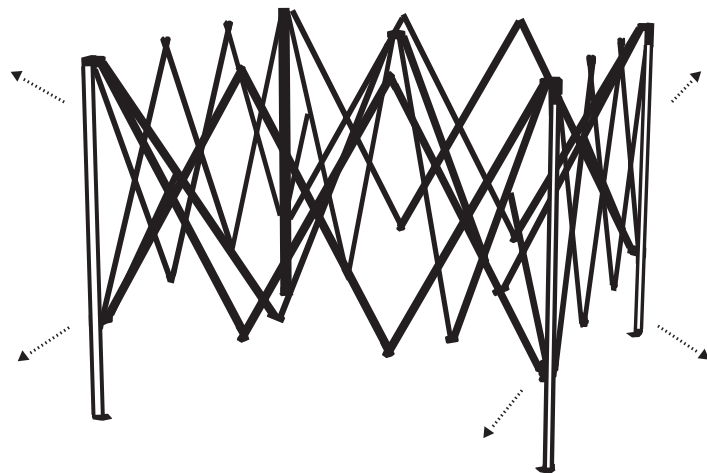
Contents & Repair Parts



1 Extend Canopy Frame

CAUTION: Avoid pinch points when opening or closing the CANOPY FRAME.

- Expand and spread out CANOPY FRAME halfway.



2 Fully Extend Frame

- Drape CANOPY over FRAME.
- Fully extend FRAME by having 2 people pull from opposite corners.



3 Lock and Secure Canopy Frame

- To finish expanding the frame, grasp the CANOPY LEG above the GRAY BUTTON and push up on the APEX SUPPORT POLE until the GRAY BUTTON "clicks" into locked position (fig. 1).
- Repeat for remaining 3 APEX SUPPORT POLES to fully raise the ROOF PEAK.

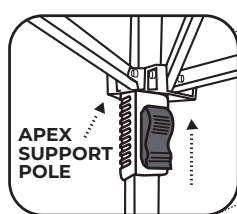


fig. 1



4 Attach Canopy to Frame

- Place LONG AWNING CORNER POLES into corner pockets (fig. 2).
- Locate HOOK & LOOP FASTENERS along the seam of the underside of the CANOPY TOP; then wrap around SCISSOR POLE to secure (fig. 3).
- Repeat for remaining 3 sides of the CANOPY.

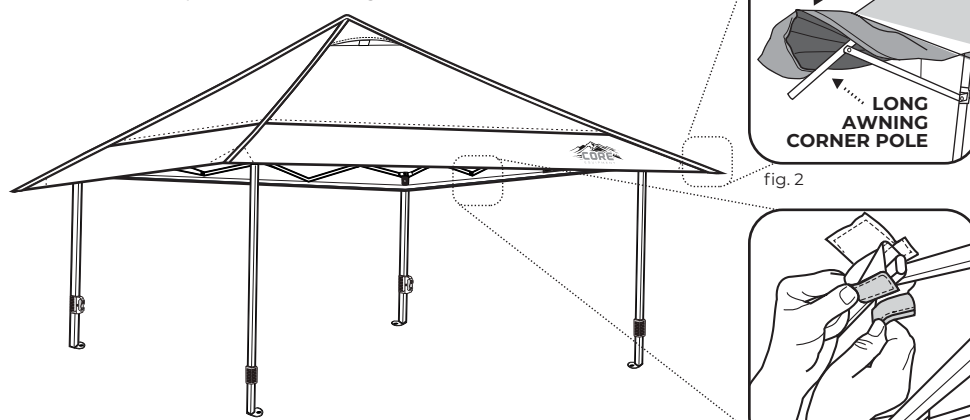


fig. 2

fig. 3

5 Adjust to Desired Height

- Place your foot on the CANOPY LEG; then grasp and extend the CANOPY LEG until the GRAY BUTTON "clicks" into the locked position (fig. 4).
- Repeat for remaining CANOPY LEG POLES.

NOTE: Once locked, push in the GRAY BUTTON to extend the CANOPY LEG to desired height (fig. 5).

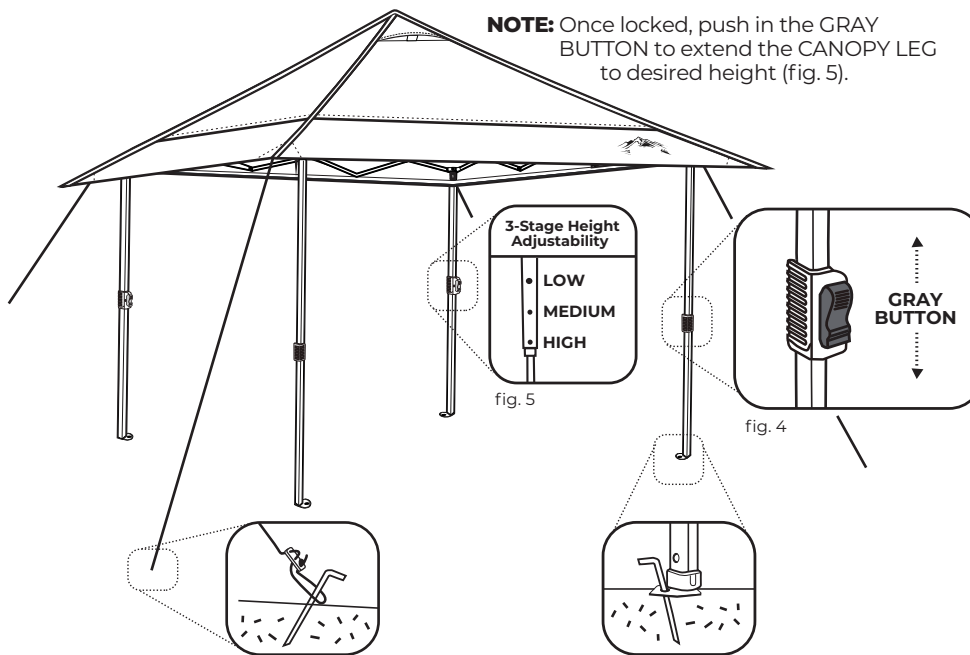


fig. 5

fig. 4

fig. 7

fig. 6

7 Secure Canopy

- Position the shelter in its final position before securing with stakes and guylines.
- Locate FOOT at the bottom of each CANOPY LEG (4 total).
- Slide STAKE through holes at bottom of each CANOPY LEG (fig. 6).
- Locate GUYLINES attached to the CANOPY and unroll.
- Slide STAKE through GUYLINE loop on all four corners. Extend GUYLINE and drive STAKE into ground to provide additional stability (fig. 7).

NOTE: Extend four corner GUYLINES out at a 45° angle from shelter. Adjust GUYLINES as needed by adjusting the SLIDER up the cord.



(continued on back)

Take Down Instructions:

Follow the previous steps and illustrations on other side of this tag in the reverse order:

- Remove all STAKES from GUYLINES and CANOPY LEG and store in stake bag.
- Release hook-and-loop fasteners underneath CANOPY TOP to disconnect from frame. This will help prevent the fabric from tearing during takedown.
- Press the GRAY BUTTONS on each CANOPY LEG and telescope down.
- Press the top GRAY BUTTONS near all four APEX SUPPORT POLES to release from locked position.
- Remove CANOPY TOP from FRAME. Fold lengthwise and store with FRAME in CARRY BAG.
- Fold up FRAME and place into CARRY BAG. **Be careful to avoid pinch points!**

Storing the Canopy

- Store in a clean, dry area.
- All stakes must be placed in the STAKE BAG before placing in CARRY BAG to prevent damage to the CANOPY TOP.
- For short-term storage (1-2 weeks), it is acceptable to leave the CANOPY TOP attached to the FRAME.
- NOTE: For long-term storage, remove the CANOPY TOP & store separately.

Frequently Asked Questions:

- **Are replacement parts available?** Yes, please call Customer Service at 1-888-775-5628 for replacement parts. All parts can be replaced.
- **Why are my CANOPY LEGS not locking into place?** Be sure that the GRAY BUTTONS are secure. Extend pole further if it is not locked. It will "click" into place.
- **How do I clean my CANOPY TOP?** Clean the CANOPY TOP with a soft sponge, a mild soap and tepid water. Be sure to scrub gently and remove all soap. Let dry in sunlight, which also naturally cleans the canopy.
- **Why is it difficult to extend the roof assembly on my FRAME?** Be sure to stretch the FRAME out fully, and lock the roof assembly into place before raising the CANOPY LEGS.
- **When should I attach the CANOPY TOP?** Attach the CANOPY TOP after the FRAME is expanded, but before extending the CANOPY LEGS or roof assembly.

1-Year Limited Warranty:

CORE® Equipment and Elevate LLC warrants for a period of one year from the original date of purchase this product against any defects in materials or workmanship. At its discretion, CORE® Equipment may provide replacement parts to original purchaser. Original receipt or proof of purchase as well as proof of defect in the form of a photograph or video is required. CORE® Equipment will not be responsible for shipping costs incurred outside the continental USA. Warranty is valid for the original purchaser one year from the date of purchase and is not transferable. This warranty does not cover any product purchased through unauthorized dealers/distributors and/or unauthorized resellers on online auction websites. CORE® uses approved and authorized distributors to furnish quality products, and CORE® provides warranty coverage only on products purchased from those distributors. If the product was purchased from an unauthorized reseller, this warranty does not apply. Unauthorized resellers may sell products that are used, defective, counterfeit, or which may not be designed for use in that specific country. To determine whether the seller of a CORE® Equipment product is one that has been approved and authorized by Elevate LLC owner of the CORE® Equipment brand, please contact help@coreequipment.com or call customer service at 1-888-775-5628.

This 1-Year Limited Warranty does NOT cover normal wear and tear, abuse or misuse of this product including damage from inclement conditions, such as wind, rain or hail. In case of inclement weather, remove all valuables and persons and seek appropriate shelter. Under no circumstances will CORE® Equipment or Elevate LLC be liable or responsible for any incidental or consequential damages.

This product is designed and intended for recreational use only. Prolonged exposure to UV rays will cause any fabric to fade and deteriorate and is NOT covered by this 1-Year Limited Warranty. All replacement products or parts will assume the remaining warranty of the original product. This warranty gives you specific legal rights. You may also have other rights which vary from state to state. To obtain Warranty Service: Call Toll Free 1-888-775-5628 for warranty service, repair parts or product questions. Monday - Friday, 8:00 a.m. - 5:00 p.m. Central Time.

Warnings and Cautions:

⚠ WARNING: KEEP ALL FLAME AND HEAT SOURCES AWAY FROM THIS SHELTER FABRIC

This shelter is made of flame-resistant fabric which meets CPAI-84 specifications. **IT IS NOT FIREPROOF.** The fabric will burn if left in continuous contact with any flame source. The application of any foreign substance to the product fabric may render the flame-resistant properties ineffective.

DO NOT use fuel burning devices inside or near shelter materials.

DO NOT permit children to light matches, operate burning appliances or handle any flame sources in or near the shelter.

- Do not smoke, use matches, candles or open flames of any kind in or near the shelter.
- Do not refuel lanterns, stoves or heaters inside shelter.
- Do not cook inside shelter.
- Do not store flammable liquids inside shelter.

⚠ WARNING: Keep clear of overhead power lines.

- Do not set up your shelter under trees because of potential lightning strikes or falling tree limbs in inclement weather.
- Secure with all stakes and guylines provided to prevent property damage or personal injury.
- Never store shelter, even for a short period of time, without drying it thoroughly and brushing off caked dirt. Do not pack stakes inside your shelter. Use a separate storage bag.
- STAKES SHOULD BE REMOVED BY PULLING ON THE STAKE ITSELF. NEVER PULL ON THE SHELTER TO REMOVE STAKE.
- Do not leave your shelter set up for weeks at a time. Be aware that exposure to ultraviolet rays from the sun can seriously damage material and/or cause it to become discolored.



DO NOT SPRAY!

IMPORTANT:

THE ORIGINAL FIRE RETARDANT AND WATER-REPELLENT PROTECTIVE COATINGS MAY BE COMPROMISED IF SPRAYS OR OTHER CHEMICAL TREATMENTS ARE USED ON THE SHELTER. THE CANOPY FABRIC HAS BEEN FACTORY TREATED. IT IS HIGHLY WATER-REPELLENT; HOWEVER, IT IS NOT WATERPROOF. ALL SHELTERS CAN EXPERIENCE SEAM LEAKAGE DURING WET WEATHER. IF YOU WANT ADDITIONAL MOISTURE PROTECTION, TRY A SEAM SEALING COMPOUND ONLY; STRICTLY FOLLOW THE MANUFACTURER'S DIRECTIONS. IT IS RECOMMENDED THAT YOU SEAL THE SHELTER DURING THE INITIAL SETUP AS WELL AS PRIOR TO EACH CAMPING SEASON. SEAM SEALER COMPOUNDS CAN BE PURCHASED AT YOUR LOCAL CAMPING PRODUCTS OUTLET. FOR MISSING PARTS CALL 1-888-775-5628.

PLEASE DO NOT RETURN THIS PRODUCT TO THE RETAIL STORE.



Elevate LLC
Overland Park, KS 66223

Made in China

Revised 6/9/20

STITCH LINE