



### We Recommend...



2 People



Rubber Mallet



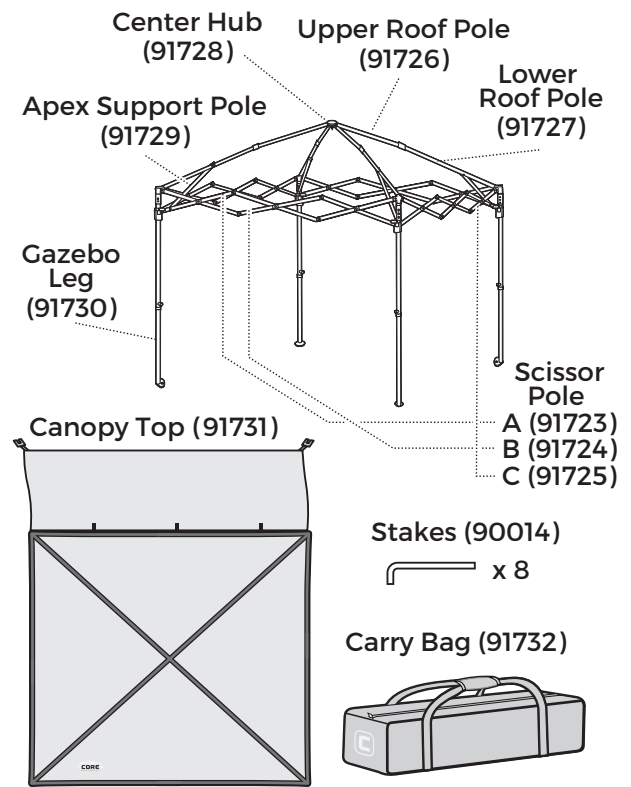
Level Area

### Need some help?

1-888-775-5628

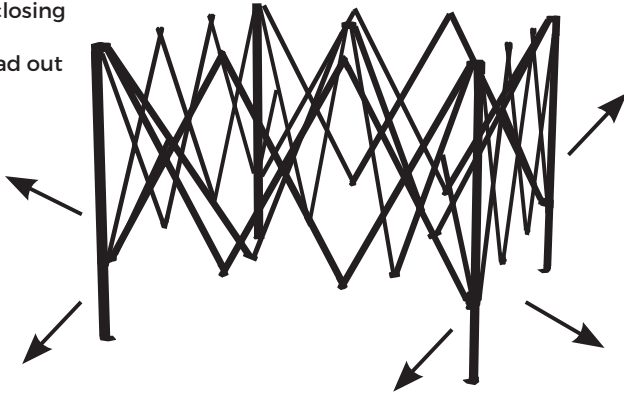
coreequipment.com

### Contents & Repair Parts



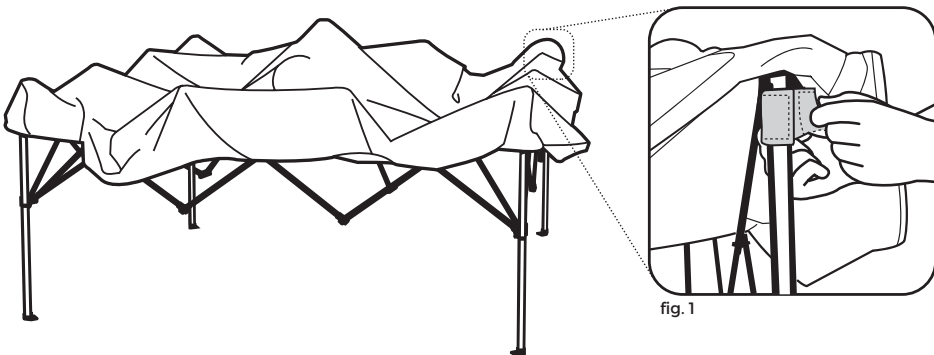
### 1 Extend Shelter Frame

- CAUTION:** Avoid pinch points when opening or closing the shelter frame.
- Expand and spread out SHELTER FRAME halfway.



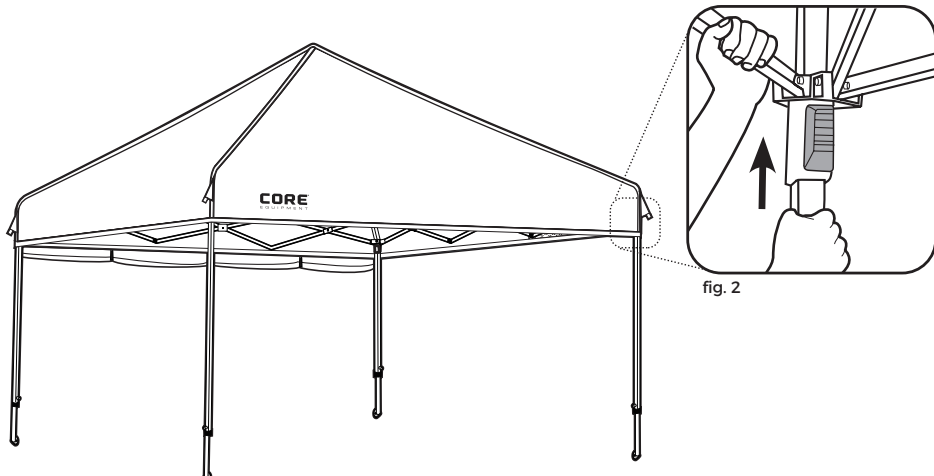
### 2 Attach Canopy

- Unfold CANOPY TOP then drape over SHELTER FRAME with corners positioned over SHELTER LEGS.
- Locate HOOK & LOOP FASTENER on underside of the corner of the CANOPY TOP; then attach to material located at the top of the STEEL SHELTER LEG (fig. 1).
- Repeat for remaining 3 corners of the CANOPY TOP.



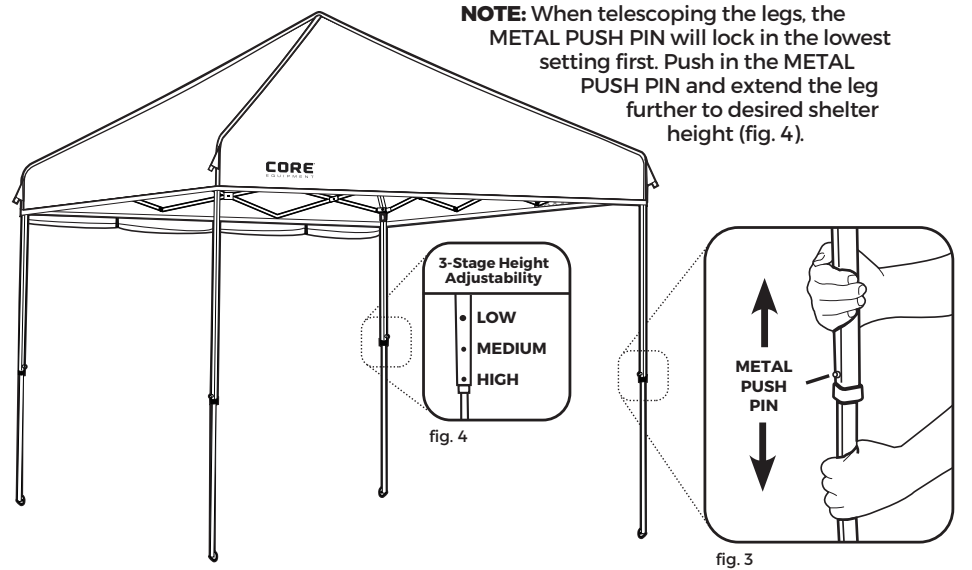
### 3 Raising Roof Support Brackets

- To finish expanding the frame, grasp the LEG POLE and push up on the ROOF SUPPORT BRACKET until the GREEN BUTTON "clicks" into locked position (fig. 2).
- Repeat for remaining 3 ROOF SUPPORT BRACKETS to fully raise the ROOF PEAK.



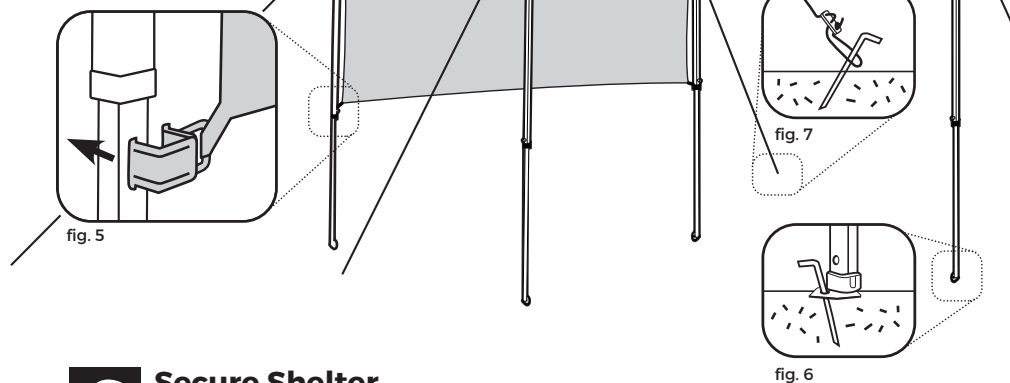
### 4 Telescoping Steel Frame Legs

- Place foot on the LEG FOOT; then grasp and extend TELESCOPING LEG POLE until the METAL PUSH PIN "clicks" into locked position (fig. 3).
- Repeat for remaining 3 LEG POLES.



### 5 Attach Sun Wall

- Undo the toggles that hold the rolled up Sun Wall
- Unroll Sun Wall and snap the clips in lower corners to the bottom sections of the steel frame legs (fig. 5).



### 6 Secure Shelter

- Position the shelter in its final position before securing with stakes and guylines.
  - Locate FOOT at the bottom of each SHELTER LEG POLE (4 total).
  - Slide STAKE through HOLE at each location (fig. 6).
  - Locate GUYLINES attached to the shelter and unroll.
  - Slide STAKE through loop at each location, extend out and drive in to secure (fig 7).
- NOTE:** Extend four corner GUYLINES out at a 45° angle from shelter.
- Adjust GUYLINES as needed by adjusting the SLIDER up the cord.

## Take Down Instructions:

Follow the previous steps and illustrations on other side of this tag in the reverse order:

- Remove stakes and place in their storage bag
- Disconnect CANOPY TOP and SUN WALL from the LEG POLES
- Push the PUSH PINS and telescope down the 4 LEG POLES
- Push the 4 GREEN BUTTONS to release the ROOF SUPPORT BRACKET
- Fold CANOPY TOP and place into carry bag.
- Fold up SHELTER FRAME and place into carry bag.

## Storing the Shelter

- Store in a clean, dry area.
- All stakes must be placed in their own storage bag before placing in carrying case to prevent damage to the shelter fabric
- For short term storage (1-2 weeks), it is acceptable to leave the CANOPY TOP attached to the STEEL SHELTER FRAME.
- NOTE: For long term storage, remove the CANOPY TOP & store separately.

## Frequently Asked Questions:

- **Are replacement parts available?** Yes, please call Customer Service at 1-888-775-5628 for replacement parts. All parts can be replaced.
- **Why are my shelter legs not locking into place?** Be sure that the metal push pins are secure. Extend pole further if it is not locked. It will "click" into place.
- **How do I clean my canopy top?** Clean the canopy top with a soft sponge, a mild soap and tepid water. Be sure to scrub gently and remove all soap. Let dry in sunlight, which also naturally cleans the canopy.
- **Why is it difficult to extend the roof assembly on my frame?** Be sure to stretch the frame out fully, and lock the roof assembly into place before raising the shelter legs.
- **When should I attach the canopy fabric?** Attach the canopy fabric after the frame is expanded, before extending the roof assembly or shelter legs.

## 1-Year Limited Warranty:

CORE® Equipment and Elevate LLC warrants for a period of one year from the original date of purchase this product against any defects in materials or workmanship. At its discretion, CORE® Equipment may provide replacement parts to original purchaser. Original receipt or proof of purchase as well as proof of defect in the form of a photograph or video is required. CORE® Equipment will not be responsible for shipping costs incurred outside the continental USA. Warranty is valid for the original purchaser one year from the date of purchase and is not transferable. This warranty does not cover any product purchased through unauthorized dealers/distributors and/or unauthorized resellers on online auction websites. CORE® uses approved and authorized distributors to furnish quality products, and CORE® provides warranty coverage only on products purchased from those distributors. If the product was purchased from an unauthorized reseller, this warranty does not apply. Unauthorized resellers may sell products that are used, defective, counterfeit, or which may not be designed for use in that specific country. To determine whether the seller of a CORE® Equipment product is one that has been approved and authorized by Elevate LLC owner of the CORE® Equipment brand, please contact [help@coreequipment.com](mailto:help@coreequipment.com) or call customer service at 1-888-775-5628.

This 1-Year Limited Warranty does NOT cover normal wear and tear, abuse or misuse of this product including damage from inclement conditions, such as wind, rain or hail. In case of inclement weather, remove all valuables and persons and seek appropriate shelter. Under no circumstances will CORE® Equipment or Elevate LLC be liable or responsible for any incidental or consequential damages.

This product is designed and intended for recreational use only. Prolonged exposure to UV rays will cause any fabric to fade and deteriorate and is NOT covered by this 1-Year Limited Warranty. All replacement products or parts will assume the remaining warranty of the original product. This warranty gives you specific legal rights. You may also have other rights which vary from state to state. To obtain Warranty Service: Call Toll Free 1-888-775-5628 for warranty service, repair parts or product questions. Monday - Friday, 8:00 a.m. - 5:00 p.m. Central Time.

## Warnings and Cautions:

### ⚠️ WARNING: KEEP ALL FLAME AND HEAT SOURCES AWAY FROM THIS SHELTER FABRIC

This shelter is made of flame-resistant fabric which meets CPAI-84 specifications. **IT IS NOT FIREPROOF.** The fabric will burn if left in continuous contact with any flame source. The application of any foreign substance to the product fabric may render the flame-resistant properties ineffective.

**DO NOT** use fuel burning devices inside or near shelter materials.

**DO NOT** permit children to light matches, operate burning appliances or handle any flame sources in or near the shelter.

- Do not smoke, use matches, candles or open flames of any kind in or near the shelter.
- Do not refuel lanterns, stoves or heaters inside shelter.
- Do not cook inside shelter.
- Do not store flammable liquids inside shelter.

### ⚠️ WARNING: Keep clear of overhead power lines.

- Do not set up your shelter under trees because of potential lightning strikes or falling tree limbs in inclement weather.
- Secure with all stakes and guylines provided to prevent property damage or personal injury.
- Never store shelter, even for a short period of time, without drying it thoroughly and brushing off caked dirt. Do not pack stakes inside your shelter. Use a separate storage bag.
- STAKES SHOULD BE REMOVED BY PULLING ON THE STAKE ITSELF. NEVER PULL ON THE SHELTER TO REMOVE STAKE.
- Do not leave your shelter set up for weeks at a time. Be aware that exposure to ultraviolet rays from the sun can seriously damage material and/or cause it to become discolored.



**DO NOT SPRAY!**

### IMPORTANT:

THE ORIGINAL FIRE RETARDANT AND WATER-REPELLENT PROTECTIVE COATINGS MAY BE COMPROMISED IF SPRAYS OR OTHER CHEMICAL TREATMENTS ARE USED ON THE SHELTER. THE CANOPY FABRIC HAS BEEN FACTORY TREATED. IT IS HIGHLY WATER-REPELLENT; HOWEVER, IT IS NOT WATERPROOF. ALL SHELTERS CAN EXPERIENCE SEAM LEAKAGE DURING WET WEATHER. IF YOU WANT ADDITIONAL MOISTURE PROTECTION, TRY A SEAM SEALING COMPOUND ONLY; STRICTLY FOLLOW THE MANUFACTURER'S DIRECTIONS. IT IS RECOMMENDED THAT YOU SEAL THE SHELTER DURING THE INITIAL SETUP AS WELL AS PRIOR TO EACH CAMPING SEASON. SEAM SEALER COMPOUNDS CAN BE PURCHASED AT YOUR LOCAL CAMPING PRODUCTS OUTLET. FOR MISSING PARTS CALL 1-888-775-5628.

**PLEASE DO NOT RETURN THIS PRODUCT TO THE RETAIL STORE.**



Elevate LLC  
Overland Park, KS 66223

Made in China