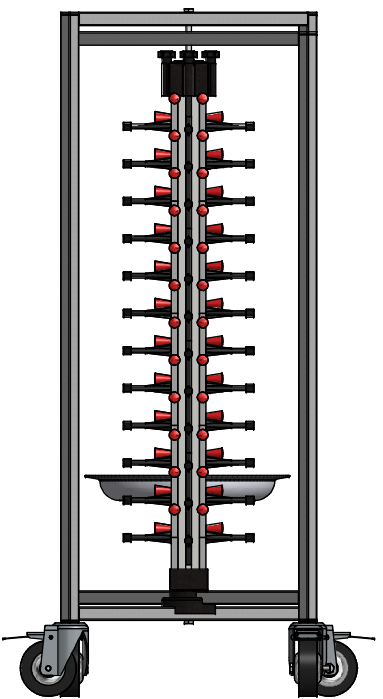
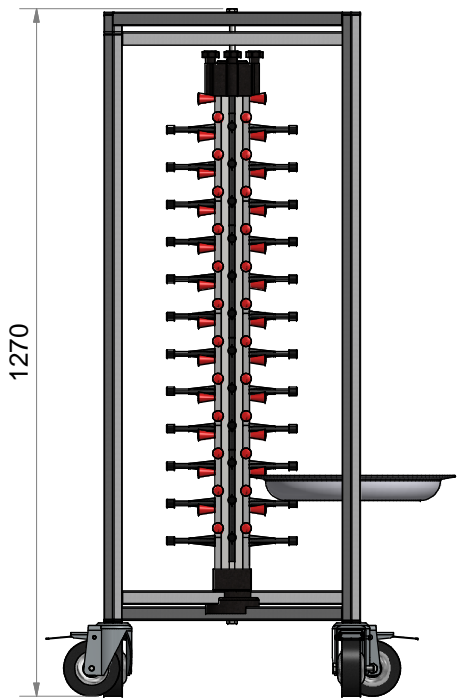
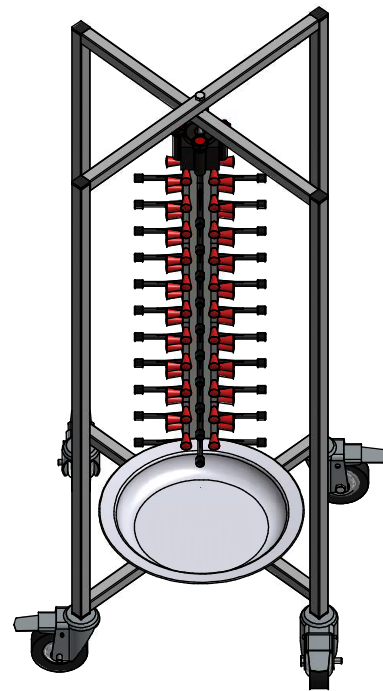
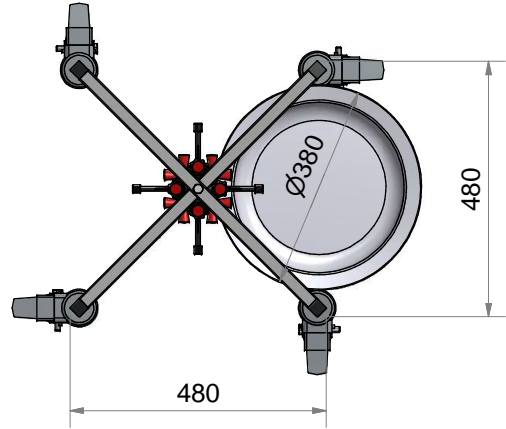

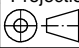


6 5 4 3 2 1

D
C
B
A



6 5 4 3 2 1

Filename : PM_48 COLLAPSIBLE RVS FRAME.iam			Working order nr.	
Material Quality :			Tolerance Linear: ± 0.2	Tolerance Angle: ± 30'
Drawing Number : PM_48 COLL-01		Units: mm	Treatment Thickness: μm	
Article nr. :		Description : PM 48 COLLAPSIBLE		
DXF file :				
		ALL RIGHTS STRICTLY RESERVED. REPRODUCTION OR ISSUE TO THIRD PARTIES IN ANY FORM WHATEVER IS PERMITTED WITHOUT WRITTEN AUTHORITY FROM HORENA TRADING HOLLAND BV		
		Date	Name	
		Drawn	18-9-2014 Gijs Bonhof	
		Checked		
		Approved		
		Projection General Roughness  Ra in μm 3.2 ISO 1302		
State	Changes	Date	Name	Part : PM 48 COLLAPSIBLE
				1 Size A3