



Projector Frame Mount Instructions



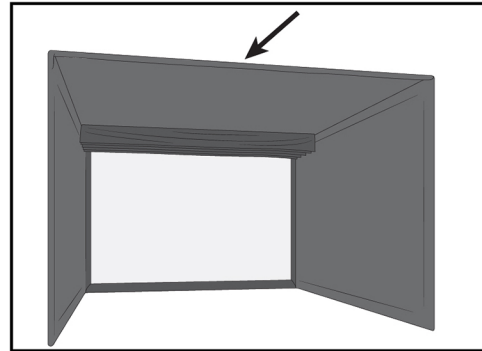
Scan QR Code For Video Tutorial

Step 1

Choose where to mount your projector along your Pro Enclosure's ceiling pipe.

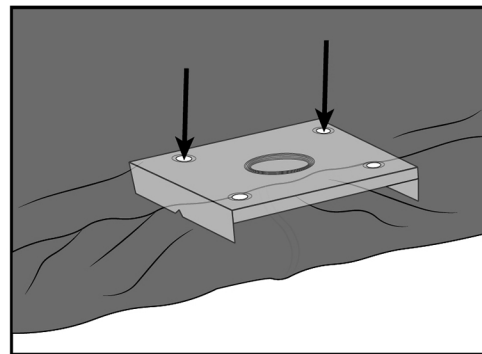
a) If center-mounting, the center of the enclosure can be identified by the indented line on the pipe connector fitting.

b) Before choosing to mount your projector off-center, make sure your projector has the capability to adjust the image, using horizontal keystone or lens shift, to produce a rectangular image that fills your screen



Step 2

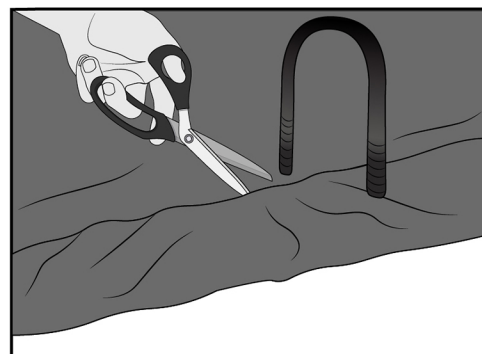
From the top of the enclosure, identify where the flap wraps around the pipe and connects to the ceiling panel. Using the holes in the ceiling decoupler assembly as a reference, lightly mark two points, 5-inches apart, on the enclosure fabric flap as close to the back of the flap as possible without hitting the enclosure ceiling. This is where you will mount the U-bolts for your projector mount.



Step 3

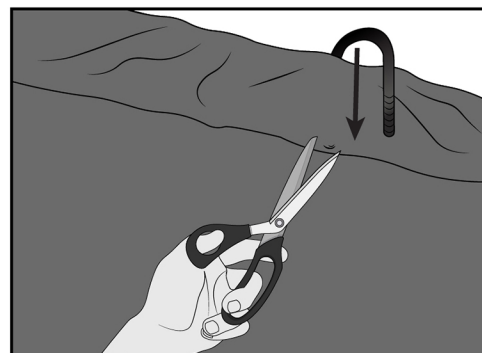
Cut a small slit in the **fabric of the flap** where you marked.

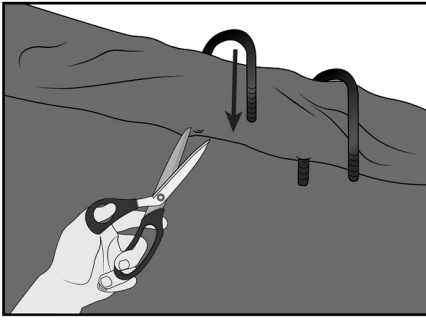
IMPORTANT: Do not cut through the ceiling panel. The slit must be cut through the flap fabric only, towards the back of the pipe, so that the U-bolt clears the pipe.



Step 4

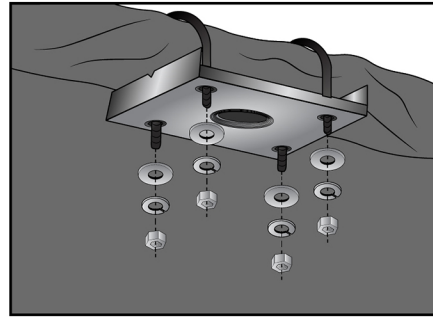
Thread the U-bolt down through the hole; avoid poking the ceiling panel by inserting the U-bolt between the ceiling panel finished edge and pipe. Push straight down until you see the U-bolt press against the flap underneath the pipe. Make a second cut to allow the U-bolt to come through





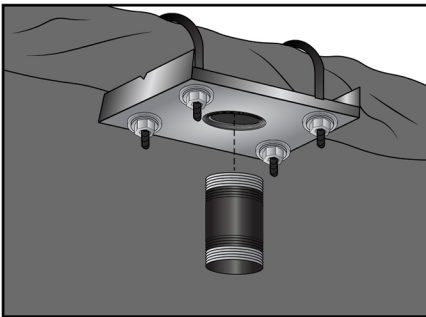
Step 5

Repeat with the second U-bolt, making sure to space them 4-inches apart, in line with the holes on the ceiling decoupler assembly.



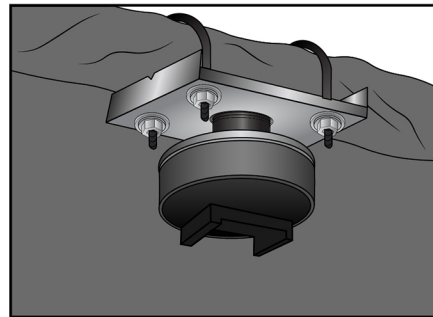
Step 6

Attach the ceiling decoupler assembly, securing with (in this order): washer, lock washer, then hex nut. Note: the triangle notches in the ceiling decoupler assembly should run parallel with the pipe.



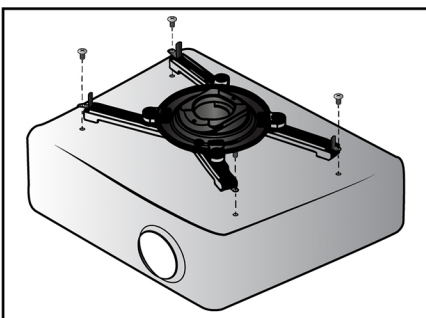
Step 7

Attach the extension column to the center hole.



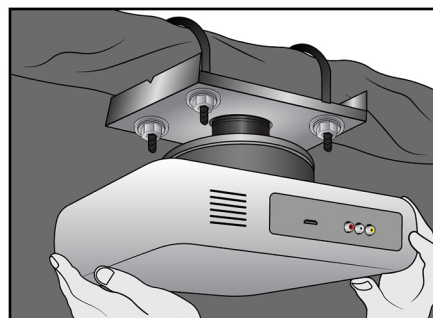
Step 8

Attach the projector mount assembly onto the extension column.



Step 9

Attach your projector to the adapter bracket. Make sure to keep the bracket centered on the projector. Line up the articulating arms with the mounting holes on your projector, and tighten.



Step 10

Attach your projector and make adjustments.