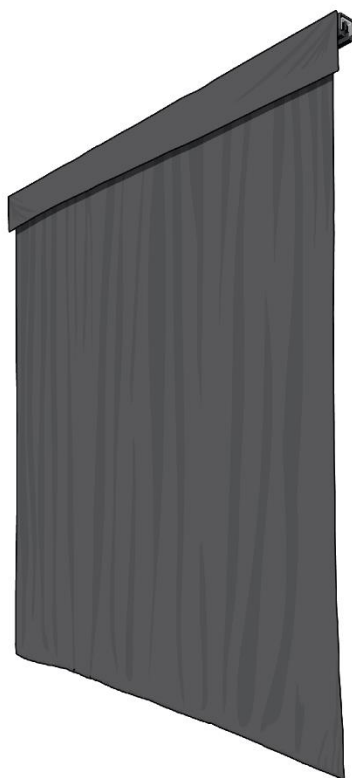




Golf Room Curtain

Installation Instructions



Thank you for purchasing a golf simulator curtain from Carl's Place! In this guide you will find everything you need to install your Golf Room Curtain.

Materials List

Literature

- Installation Instructions

Curtain

- Curtain Panel

Hardware Kit

- Ceiling Track(s)
 - (2) Stops
 - Screws
 - Rollers with Hooks*Qty varies by track length.*

Optional Valence

- Fabric valence with adhesive fastening strip

Install Overview

1. Prepare Install Location
2. Mount Track to Ceiling
3. Install Rollers
4. Install Stops
5. Hang Curtain
6. Attach Optional Valence

Tools Needed

- Tape measure
- Stud finder
- Ladder
- Pencil
- Protective glasses
- Power drill
- Drywall anchors (if needed)
- 3/16" Hex key

Prepare Install Location

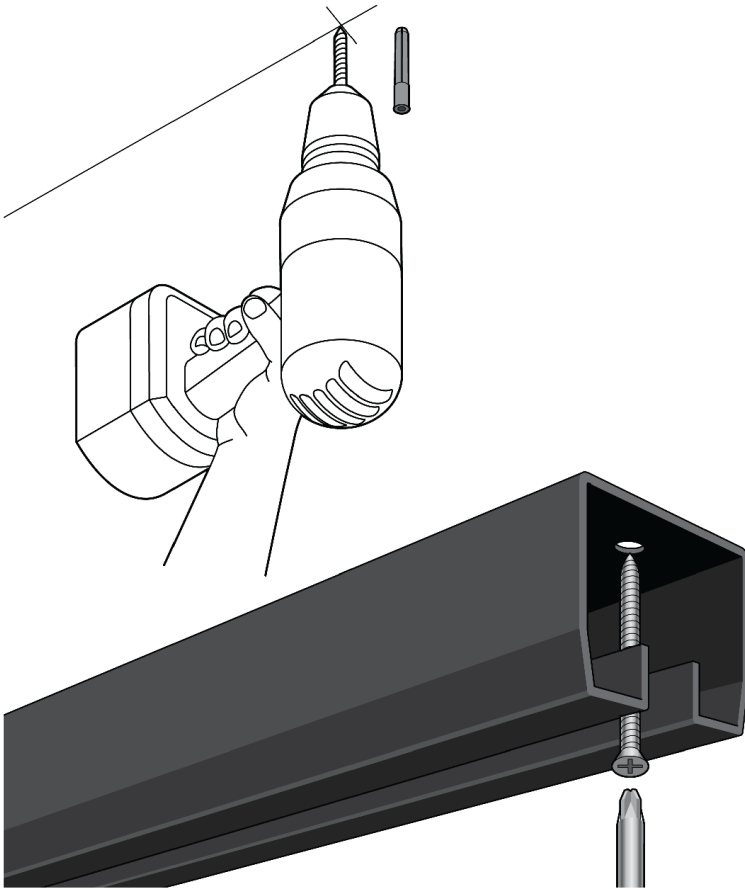


Use a stud finder to locate the joists in the ceiling where you plan to install your curtain. Place the track on the ceiling where you plan to mount it. Use a pencil to mark where the screws will go.

Carl's Tips

To avoid injury and damage, make every effort to mount the track directly into joists.

Mount Track to Ceiling



Use a power drill and make pilot holes for the screws at the locations you marked. Mount the track(s) through the mounting holes with the screws provided.

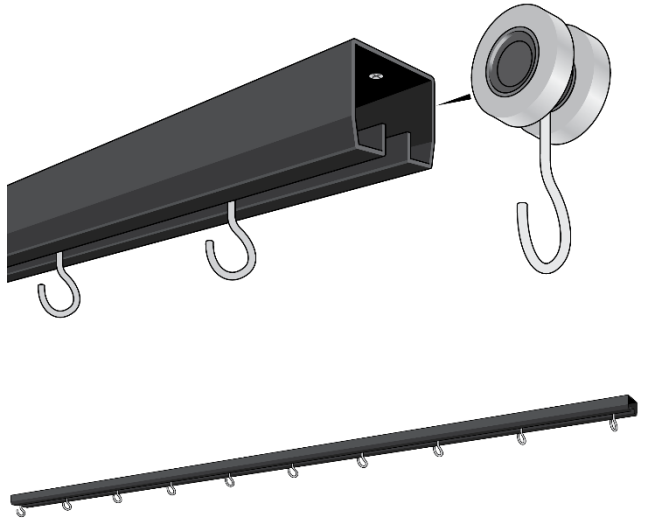
Where mounting to joists is not possible, use heavy-duty drywall anchors.

Carl's Tips

Multiple tracks? With wider curtains, you may be installing multiple ceiling tracks. Carefully line up the tracks so that the curtain will smoothly slide along the installed track.

Install Rollers

Insert rollers onto installed track with hooks facing down.

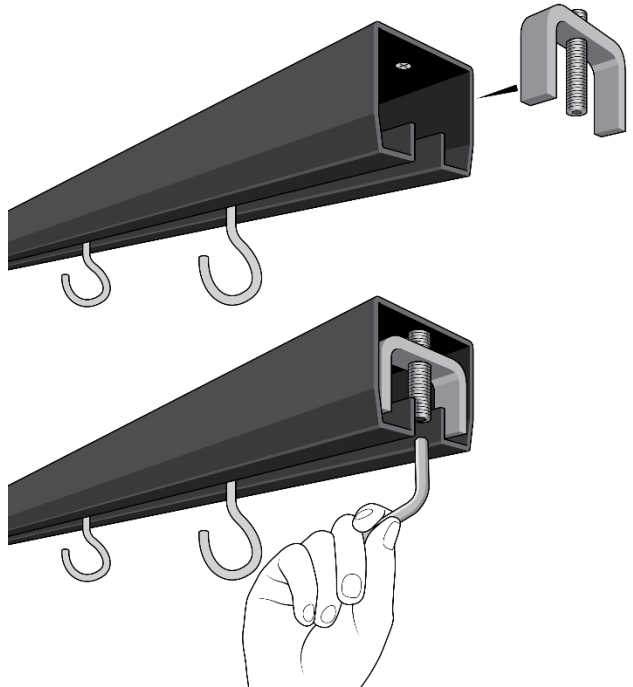


Install Stops

Insert the metal stop at the end of the exposed track to prevent rollers from falling out.

Tighten the stop's set screw using a $\frac{3}{16}$ " Hex Key to secure it in place.

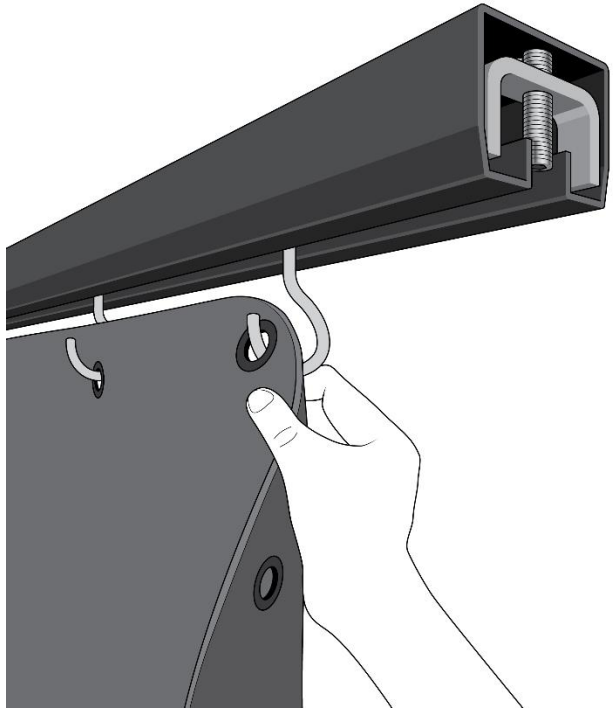
Repeat on other exposed end of track.



Hang Curtain

Hang your curtain by sliding each curtain grommet over one of the hooks.

Take care to keep your curtain panel off the ground and away from dirt and dust.



Attach (optional) Valence

If ordered, your valence attaches with a hook and loop fastener strip.

Apply adhesive-backed hook fastener strip to the curtain track. Secure loop strip of valence to hook fastener strip on track.



Repeat With Other
Curtain (if hanging
multiple)

Repeat on other side of
golfing area if installing
multiple curtains.



Send Carl a Picture!

We want to see how fantastic your new curtain looks
in your golf setup! Scan the QR code or go to
www.carlofet.com/share-with-us. Send us pics.
Videos. Rave reviews. Or even recommendations.



More of a social creature?

Tag us and throw a quick **#mycarlsplace** on your post.
We just may feature your golf simulator in our next campaign.



Anything else we can help you with?



info@carlofet.com



(608) 352-0002, Monday-Friday, 8am-4pm CT

Customers who do not follow the assembly, instructions and tips in this manual increase their risk of injury. Take proper safety precautions to protect ceilings, walls, windows, cars and neighboring homes. Keep children, pets and spectators out of swing range. **By using any Carl's Place product(s), you agree the Terms and Conditions, as well as the Privacy Policy and any policies referenced on www.carlofet.com.**

Thank you for your business!

Carl's Place LLC, 1650 Putman Pkwy, Milton, WI 53563

Questions? Comments? We welcome your feedback!

www.carlofet.com | info@carlofet.com | (608) 352-0002