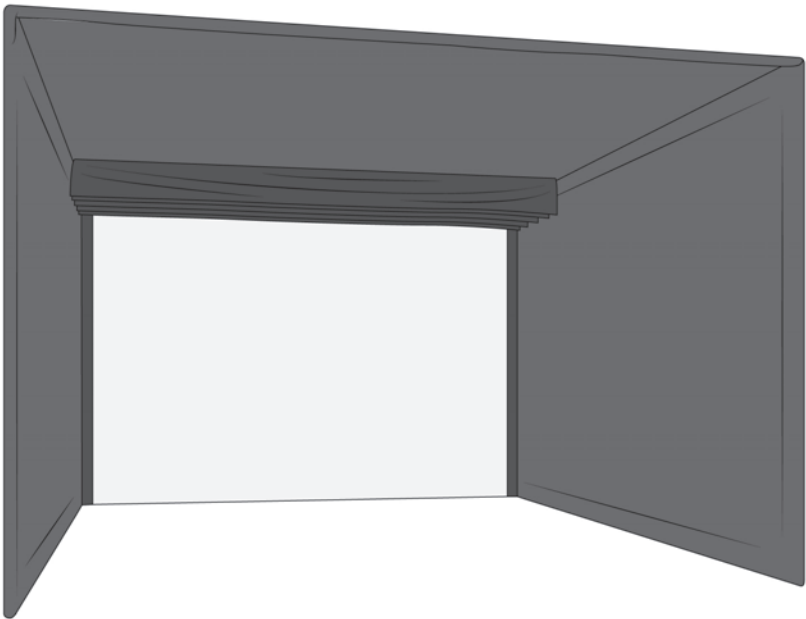




Pro Enclosure Kit

Assembly Instructions & User Manual



Get it digitally.



Thank you for purchasing a golf simulator impact screen and enclosure kit from Carl's Place! In this guide you will find everything you need to complete your kit assembly, plus a few tips to help you make the best use of it.

Materials List



Foam Layout Sheet

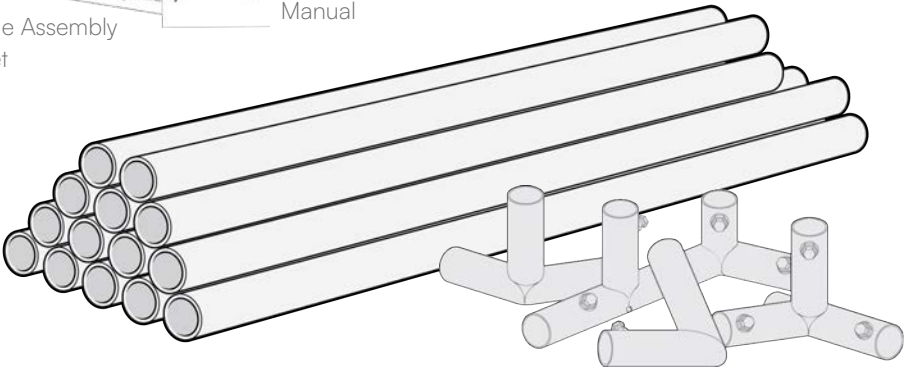


Ball bungees

Releasable zip ties

Frame Assembly Sheet

Manual



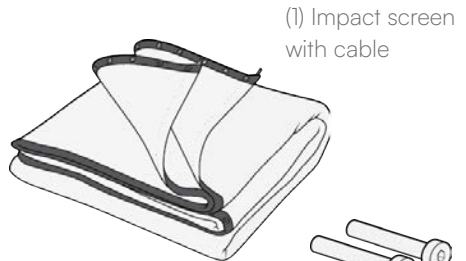
(1) Kit of pre-cut and marked pipes *OR* self-sourced, if pipes were not purchased

(1) Kit of pipe connector fittings



(1) Ceiling panel (or split design)

(2) Wall panels (left and right)



(1) Impact screen with cable

(2) Cable receivers

Optional Accessories

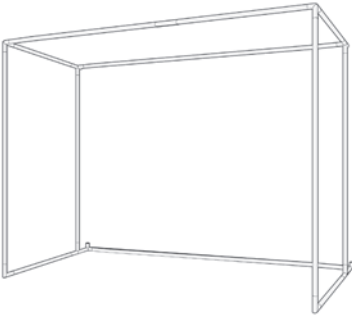
- Foam Inserts
- Projector/Electronics Mount(s)
- Ceiling Baffle(s)
- Back Cover

Assembly Overview

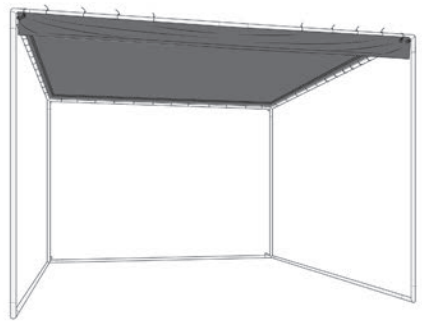
Tools Needed

- 6mm and $\frac{3}{16}$ " Hex Bit Socket and Ratchet (or Hex Keys)
- Rubber mallet
- Pliers
- Cutting tool
- Step Ladder (8-ft recommended)
- Optional. A friend who owes you a favor

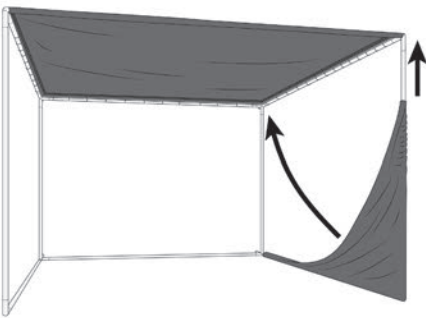
1. Assemble Frame



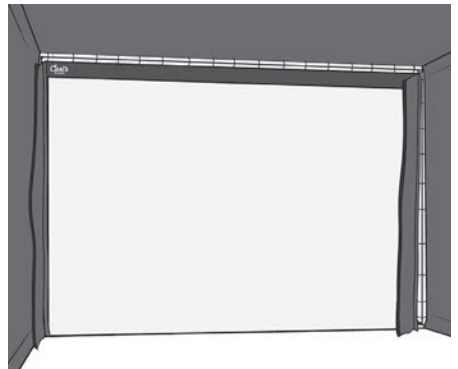
2. Attach Ceiling Panel



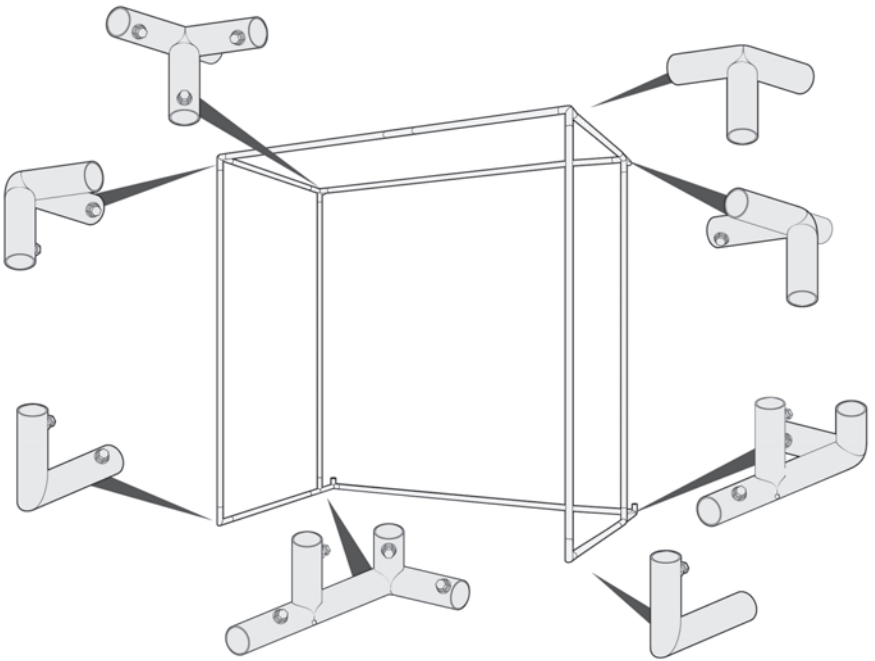
3. Attach Wall Panels



4. Attach Impact Screen



Assemble Frame



Using the Frame Assembly Sheet included in this manual, construct your frame.

If you bought a pipe kit from Carl's Place, simply insert the pipes fully into the connectors and tighten with 6mm Hex. If you did not buy a pipe kit from Carl's Place, you must source your own pipes, cut to the specifications shown on the Frame Assembly Sheet.

If you bought a back cover for your enclosure, you'll receive further instructions on incorporating that into your frame assembly. If you did not, you will not use the small nubs to the rear of the enclosure.

Carl's Tips

Start by putting together the bottom base of the frame. If necessary, use a rubber mallet to completely insert the pipes into the fittings. Then, work bottom to top, back to front.

Attach Ceiling Panel

The ceiling is the panel without any sewn sleeves on the sides.

Orient the ceiling panel so that the front flap is on the underside of the panel, facing down.



Using Ball Bungees and Zip Ties

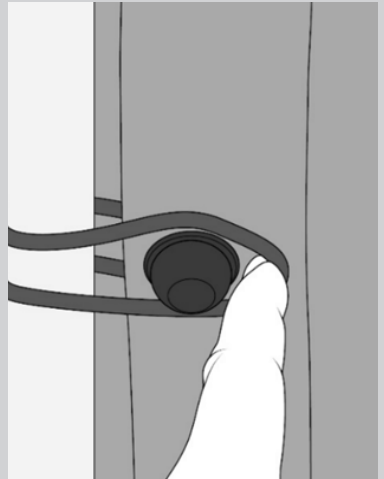
Throughout the installation, you will use ball bungees and zip ties to attach panels and the screen to the frame.

For bungees:

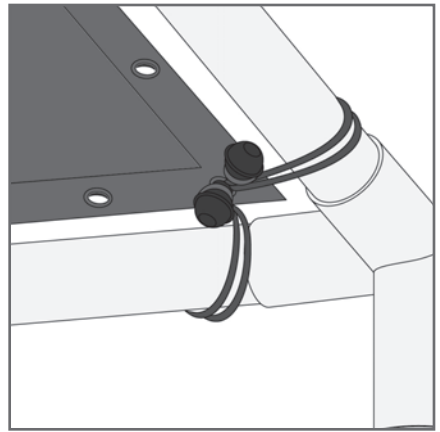
1. Insert the loop end of the bungee into a grommet.
2. Thread it through until the ball stops it.
3. Wrap the loop end around the pipe.
4. Hook it over the ball to secure.

For zip ties:

1. Wrap tie around frame and secure tie end into head.
2. Push tab to loosen, if necessary.

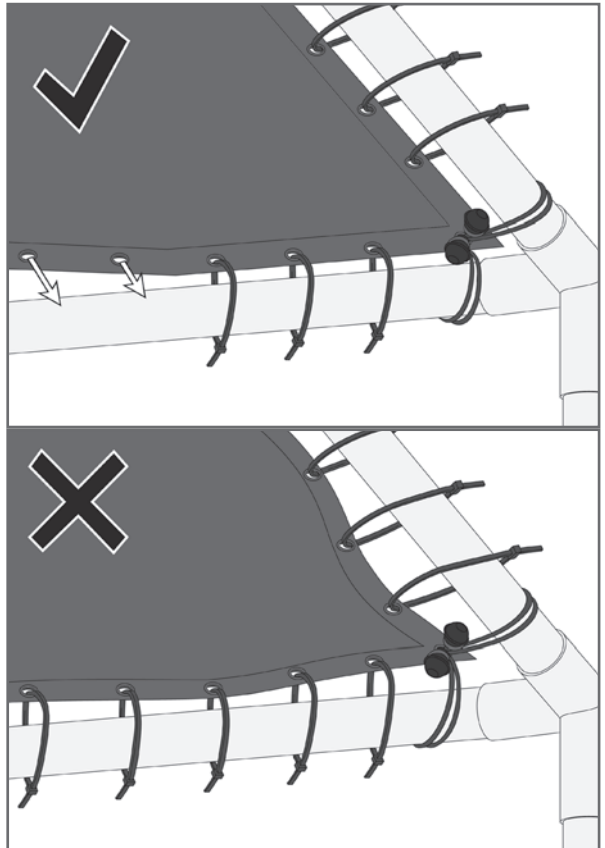


Only at the four corners use ball bungees to attach the ceiling to the frame. Use two bungees in each corner grommet (one in each direction).



With the panel attached in the corners, **and centered**, switch to using zip ties.

Insert a zip tie through each grommet and gently secure it around the pipe. Tighten only enough to keep the gap between the ceiling panel and pipe even.



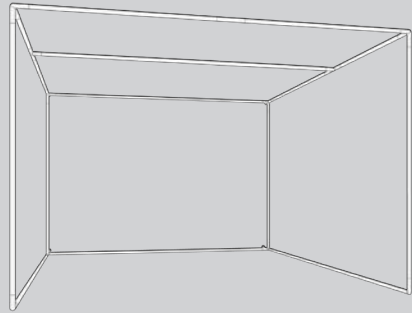
Carl's Tips

Uneven gap? If you overtightened, push down on the zip tie tab to loosen the zip tie.

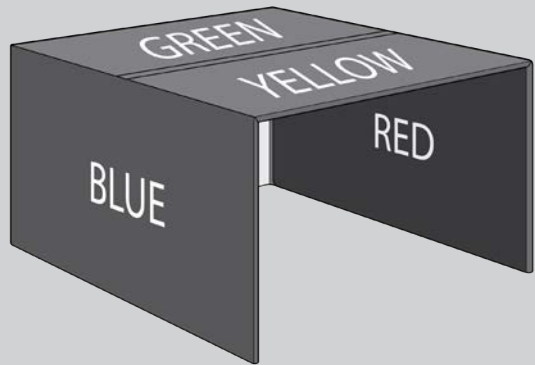
Alternative Design: Split Panel Ceiling

If your golf enclosure has a split panel ceiling design, follow these color-coded directions to install.

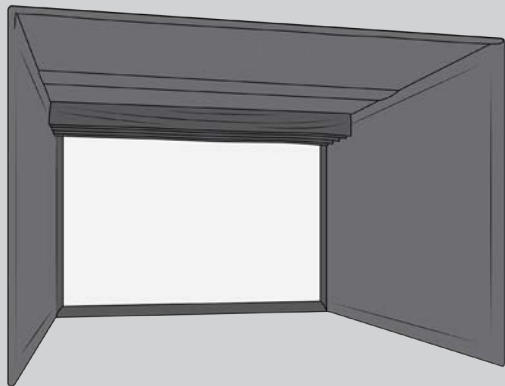
Each of the panels is designated by a colored tab. Orient the colored tab to the rear of the enclosure, with the loop fasteners facing down and in.



1. Green — rear ceiling panel nearest impact screen (has no flaps)
2. Yellow — front ceiling panel (has flaps on two sides)
3. Red — right-hand wall (as you face the screen)
4. Blue — left-hand wall (as you face the screen)



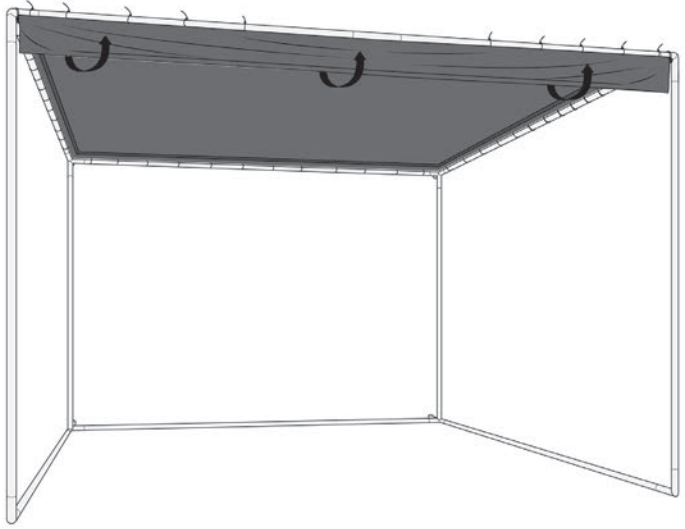
Connect the flaps in the center of the ceiling panel using the hook and loop fasteners.



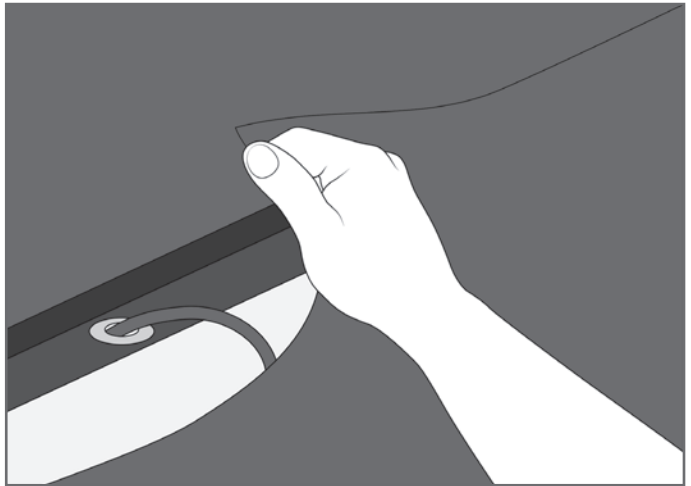
Optional: For a more professional look, rotate the head of the zip tie to the back and top of the enclosure. You'll minimize any bumps under the flaps. You can also cut the tails off the zip ties at this time.

Attach Ceiling Panel Flaps

Starting at the corners, fold the attached flap over the front of the frame.



Attach it to the top of the ceiling panel using the integrated hook-and-loop strips.



Install (Optional) Electronics Mount

If you've purchased mount hardware accessories, follow the instructions included with those before proceeding.

Install (Optional) Baffles

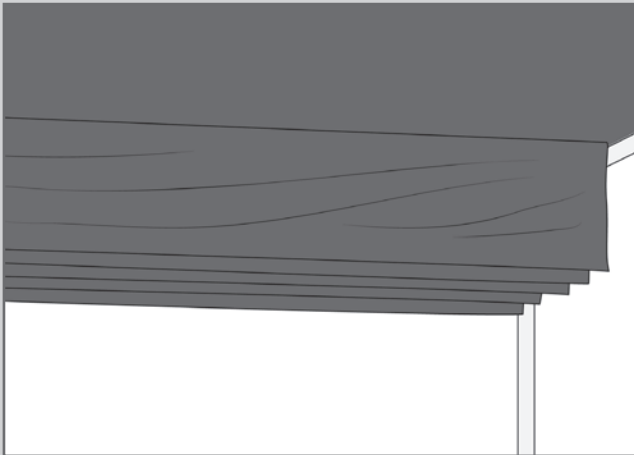
If you did not purchase baffles, skip this step.

Baffles attach to the top of the frame. Insert a bungee through the loop of cord on the baffle and attach the bungee around the frame.

Baffles can be spaced at any preferred distance away from the screen. 1 - 1.5 ft apart is common.

Hang the baffles with the matte side facing the front of the enclosure and stretch them to the top of the frame using one bungee on each side.

Zip-ties can be used to apply extra tension if needed.

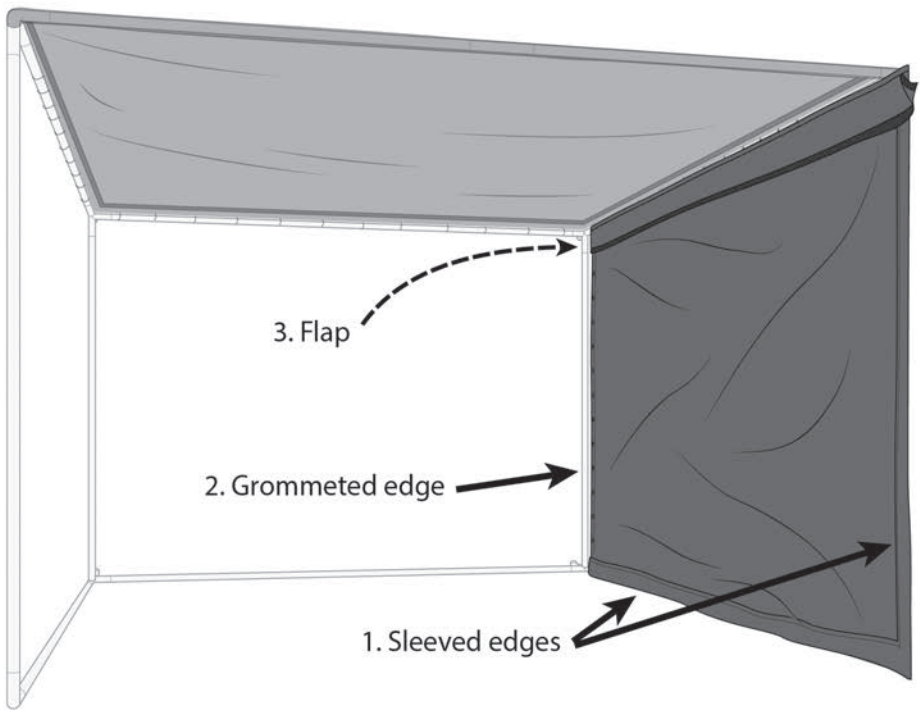


Attach Wall Panels

The wall panels are marked with colored tabs. The red colored tab marks the panel for the right wall (as you face the screen). The blue colored tab marks the left wall. Pictured example shows the right wall panel.

Before attaching the wall panels, orient the panels so that:

1. The sleeved edges are closest to the bottom and front pipes
2. The grommeted edge is closest to the rear pipe
3. The edge with flaps and grommets can be lifted to top of the frame



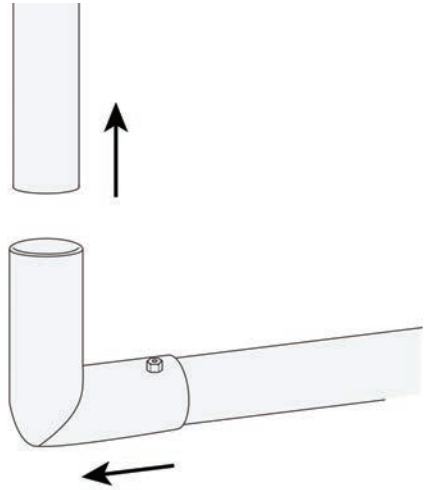
Carl's Tips

Check for burs - you don't want to rip the enclosure material on any sharp ends of the pipes.

To attach the wall panel, you need to slide both sleeved wall panel edges onto the pipe frame, one at a time.

Warning. This next part is tricky, but it will all be worth it. Once installed you'll get a smooth black corner on your enclosure,

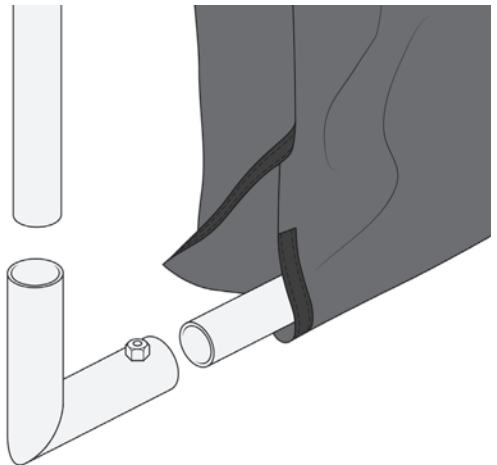
First, un-install the "L" fitting at the bottom front of the frame.



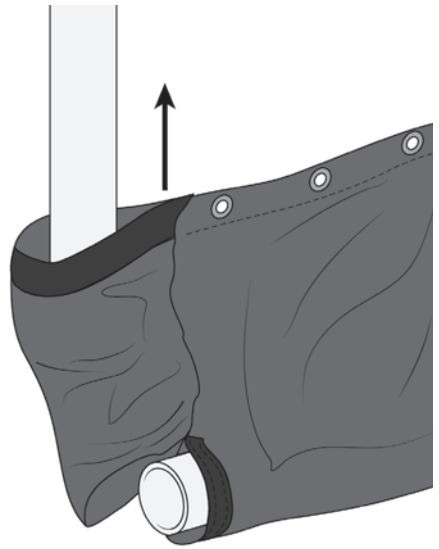
Slide the bottom sleeved edge of the wall panel onto the bottom pipe.

Carl's Tips

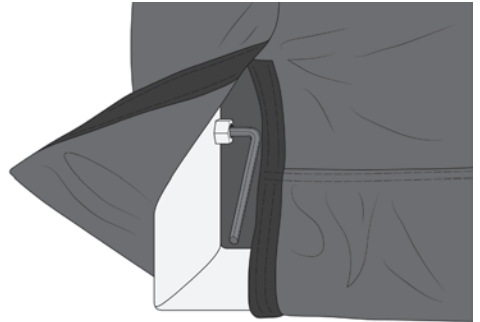
Place a block of wood under the frame to prop it up while sliding the sleeve on.



Then, slide the front sleeved edge of the wall panel upward onto the front vertical pipe.

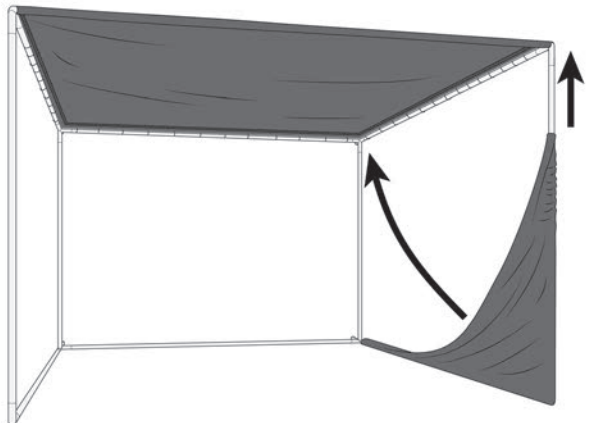


Once the wall panel material is over both the bottom and front pipes, re-install the “L” fitting.



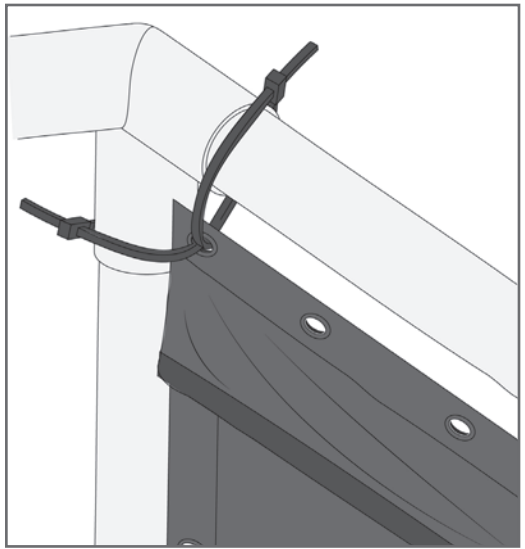
Tighten the connector, then attach the hook-and-loop fasteners that wrap around corner.

Once the “L” fitting is reinstalled, slide the front sleeve to the top of the frame and secure with one zip tie.

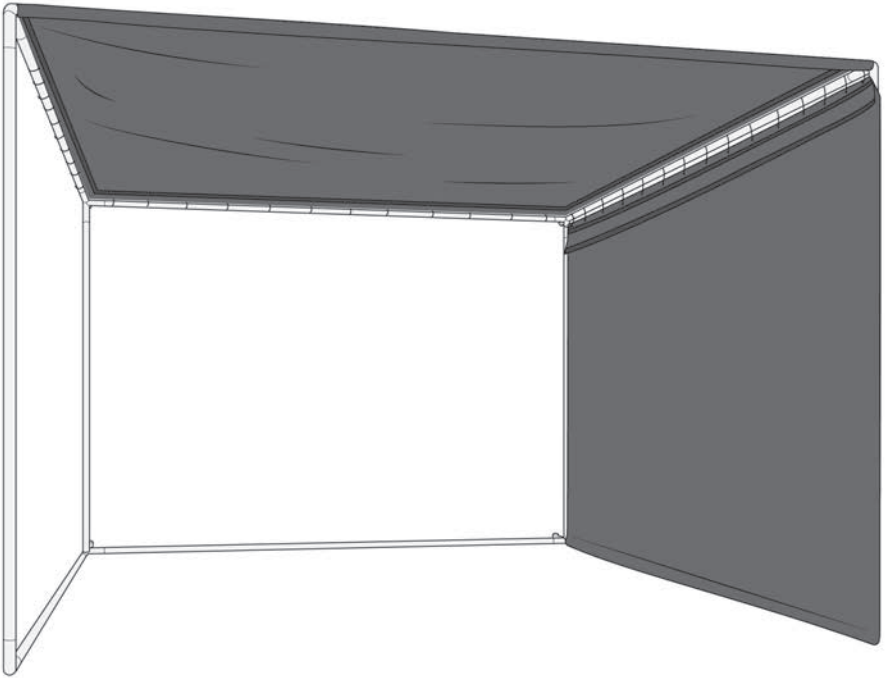


Stretch the bottom sleeve to the back of the frame.

Tightly secure the back corner to the frame using two zip ties (one connecting in each direction.)



Continue securing the wall panel by loosely looping a zip tie through each grommet around the top pipe. Check the fit. Tighten or loosen zip ties to obtain a straight, even gap between the panel and the pipe.



Carl's Tips

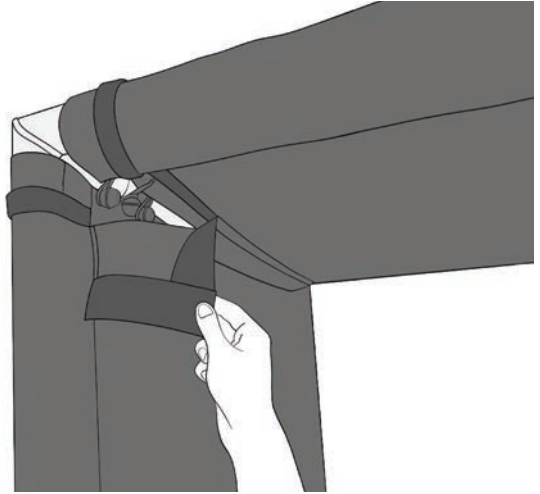
Smooth the fabric on the front pipe upward. Then tighten the zip tie for a smooth front edge.

Repeat by installing the second wall panel.

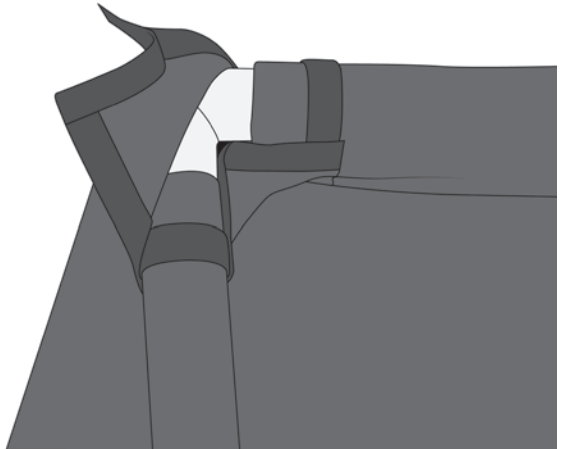
Attach Wall Panel Flaps

It is important to attach the wall panels flaps in the right order.

First, from inside the enclosure, secure the wall panel flaps to the ceiling panel using the hook-and-loop fasteners.



Next, stretch and smooth down the corners of the flaps around the front corner of the frame.



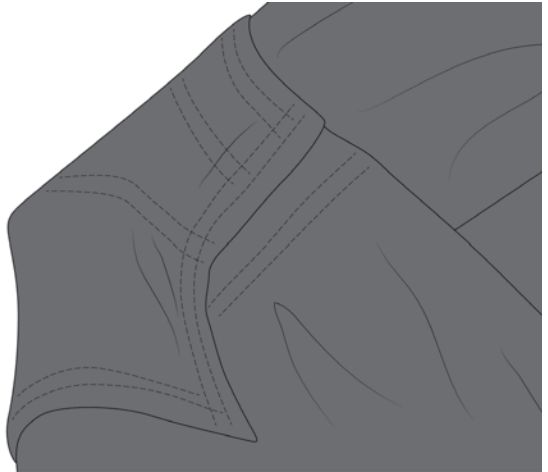
Carl's Tips

When attaching the flaps start at the front of the enclosure and work back.

Lastly, from the outside of the enclosure, wrap the wall panel flap around the frame and attach it to the top of the ceiling panel.

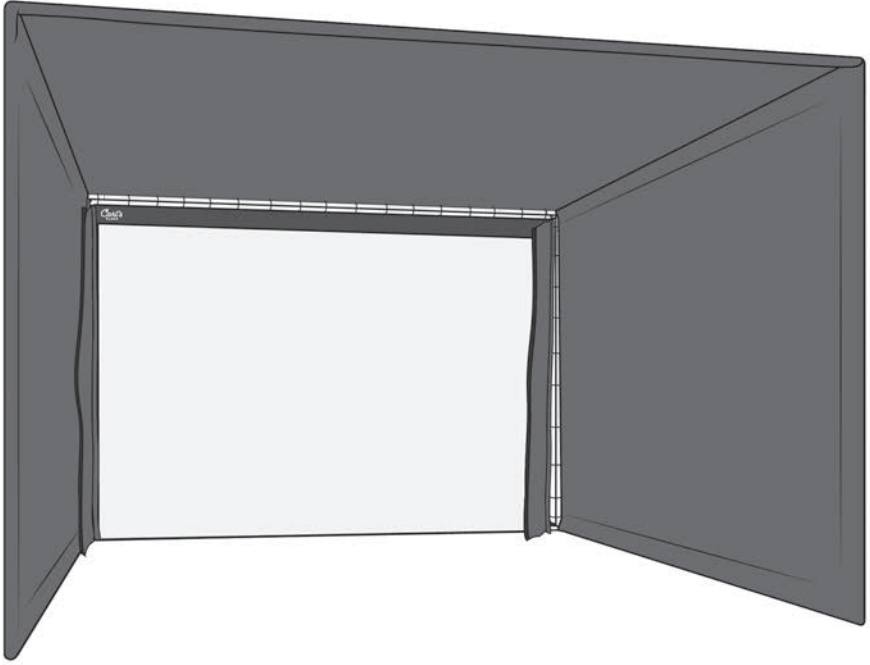


Check the fit. If you need to make adjustments to achieve a smooth corner, do so now.

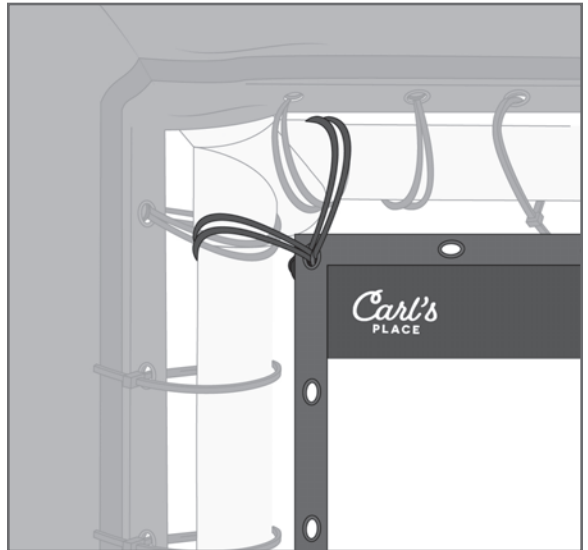


Attach the Impact Screen

Orient the impact screen with the Carl's Place logo in the top left.



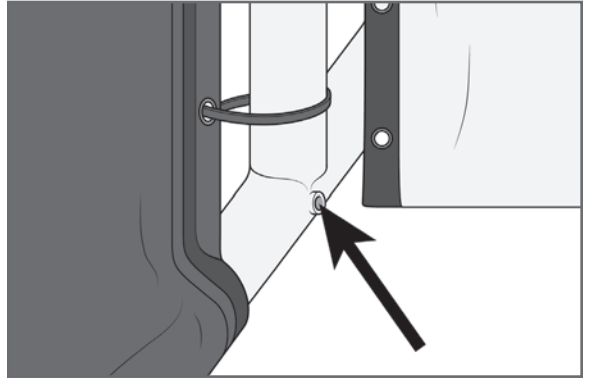
Attach the impact screen to the frame, beginning with 2 ball bungees in each of the **top corners**. Face the ball of the bungee to the back.



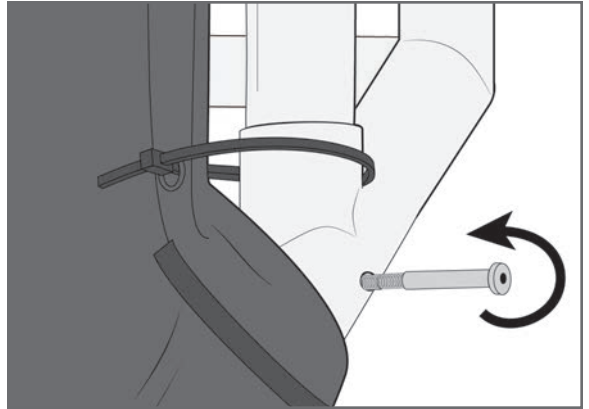
Simplified to show detail. Actual impact screen has flaps.

Next, you'll attach the bottom of the impact screen using the cable. The cable is pre-threaded through the bottom sleeve of the impact screen.

On one of the rear corner fittings, locate the small hole at the base of the fitting.



On one side, insert the cable through the fitting. Secure the cable with 4 turns of the cable receiver. Repeat on the other side.

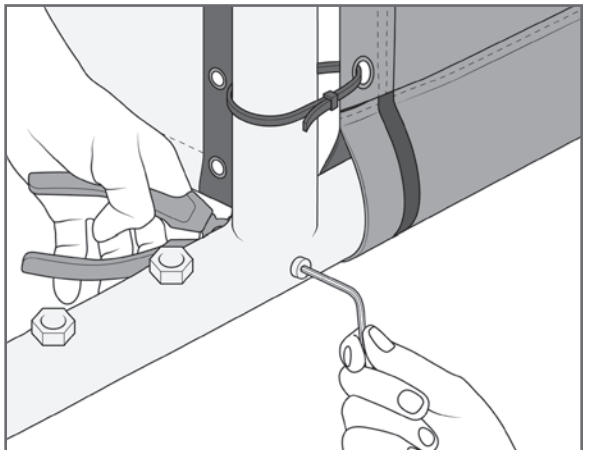


Carl's Tips

You may need to loosen the first receiver if you can't get the second receiver threaded.

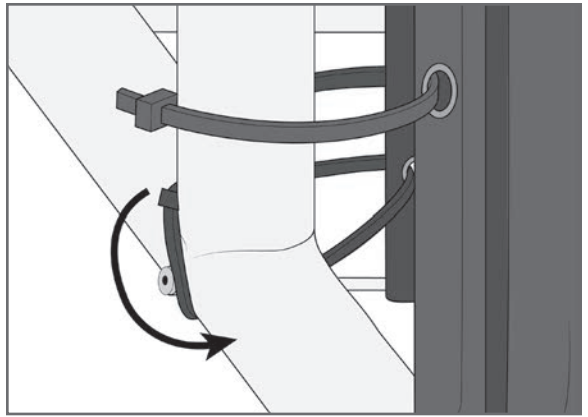
Continue tightening each end of the cable, until the cable is taut. Use a pliers to hold the cable and prevent it from spinning, while using $\frac{3}{16}$ " Hex key to tighten the receiver.

Do not overtighten.

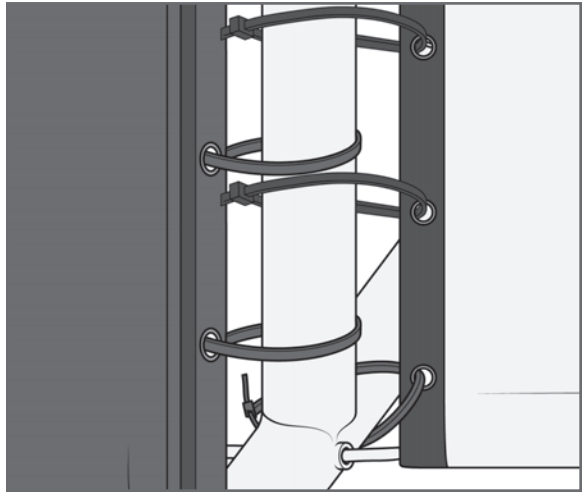


Secure each of the bottom grommets of the screen with a zip tie. Wrap the zip tie under and around the bottom pipe, held in place by the exposed receiver end.

These 2 bottom zip ties can be pulled tight.



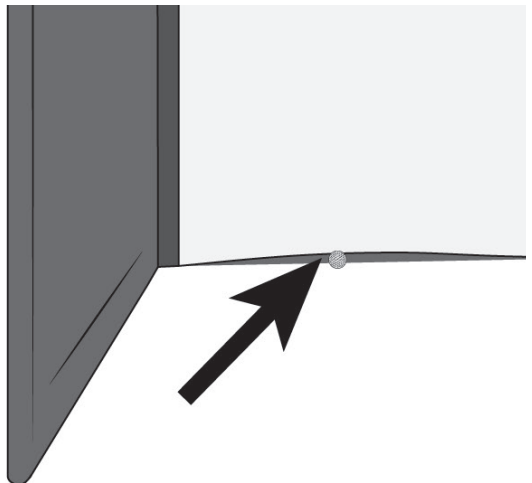
Add zip ties to the remaining grommets, tightening only enough to maintain an even gap between the screen and the pipe.



Check the spacing. The bottom of the screen should be level with the floor. Screen lifting off the floor? Adjust zip ties to obtain minimal gap on the floor. Don't forget the sides, you may have too much tension on one of the zip ties attached to the vertical pipes.

Carl's Tips

If the screen rests on high pile carpet, you might find an increased number of golf balls making their way under the screen. To keep the balls from rolling away, consider adding a back cover.

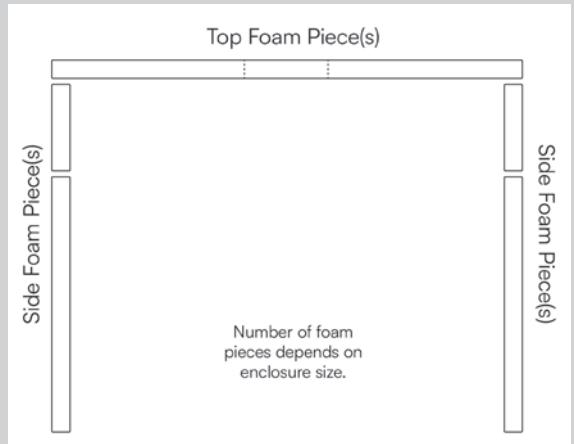
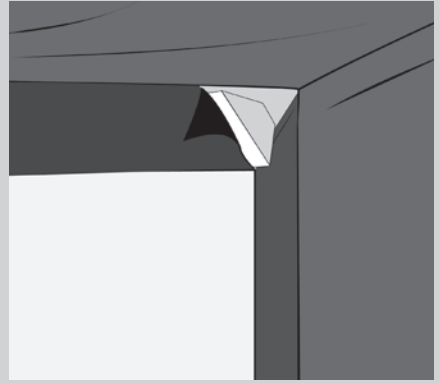


Insert (Optional) Foam Inserts

If ordered, you'll receive enough foam inserts to cover the sides and top of your enclosure frame. Starting at the bottom, push foam inserts into the corners of your enclosure, between the enclosure and the screen.

Cover each piece of foam with the screen flap and secure the flap with the hook and loop strips.

The foam will be snug to prevent ricochets. It's helpful to have 2 people. One to push the foam in. One to secure the flap.



Nip, tuck, and smooth out any lines. Any creases remaining from folding will relax over time. **You're ready to golf!**

Send Carl a Picture!

We want to see your golf setup! Scan the QR code or go to www.carlofet.com/share-with-us. Send us pics. Videos. Rave reviews. Or even recommendations.



More of a social creature?

Tag us and throw a quick #mycarlsplace on your post. We just may feature your golf simulator in our next campaign.

Anything else we can help you with?



info@carlofet.com



(608) 352-0002, Monday-Friday, 8am-4pm CT

Customers who do not follow the assembly, instructions and tips in this manual increase their risk of injury. Take proper safety precautions to protect ceilings, walls, windows, cars and neighboring homes. Keep children, pets and spectators out of swing range. **By using any Carl's Place product(s), you agree to the Terms and Conditions, as well as the Privacy Policy and any policies referenced on www.carlofet.com.**

Thank you for your business!

Carl's Place LLC, 1650 Putman Pkwy, Milton, WI 53563
Questions? Comments? We welcome your feedback!
www.carlofet.com | info@carlofet.com | (608) 352-0002