



L710 Series

Projector RS232 Command Control

Installation Guide

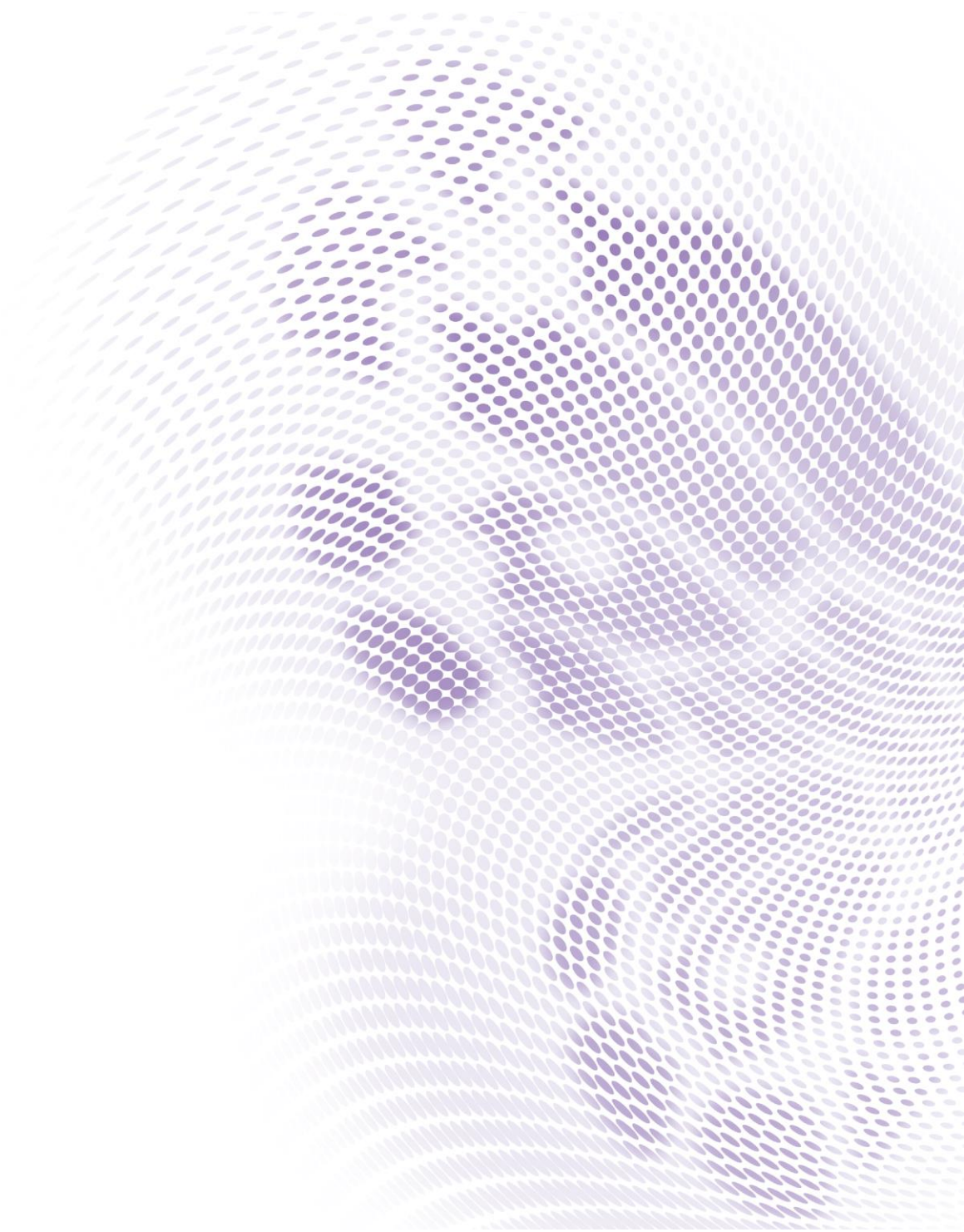


Table of Contents

Introduction	3
Wire arrangement.....	3
RS232 pin assignment.....	3
Connections and communication settings	4
RS232 serial port with a crossover cable	4
Settings	4
RS232 via LAN.....	6
Settings	6
RS232 via HDBaseT.....	6
Settings	6
Command table.....	8

Introduction

The document describes how to control your BenQ projector via RS232 from a computer. Follow the procedures to complete the connection and settings first, and refer to the command table for RS232 commands.



Available functions and commands vary by model. Check the specifications and user manual of the purchased projector for product functions.

Wire arrangement

Wire Arrangement		
P1	Color	P2
1	Black	1
2	Brown	3
3	Red	2
4	Orange	4
5	Yellow	5
6	Green	6
7	Blue	7
8	Purple	8
9	Gray	9
Case	Drain wire	Case

RS232 pin assignment

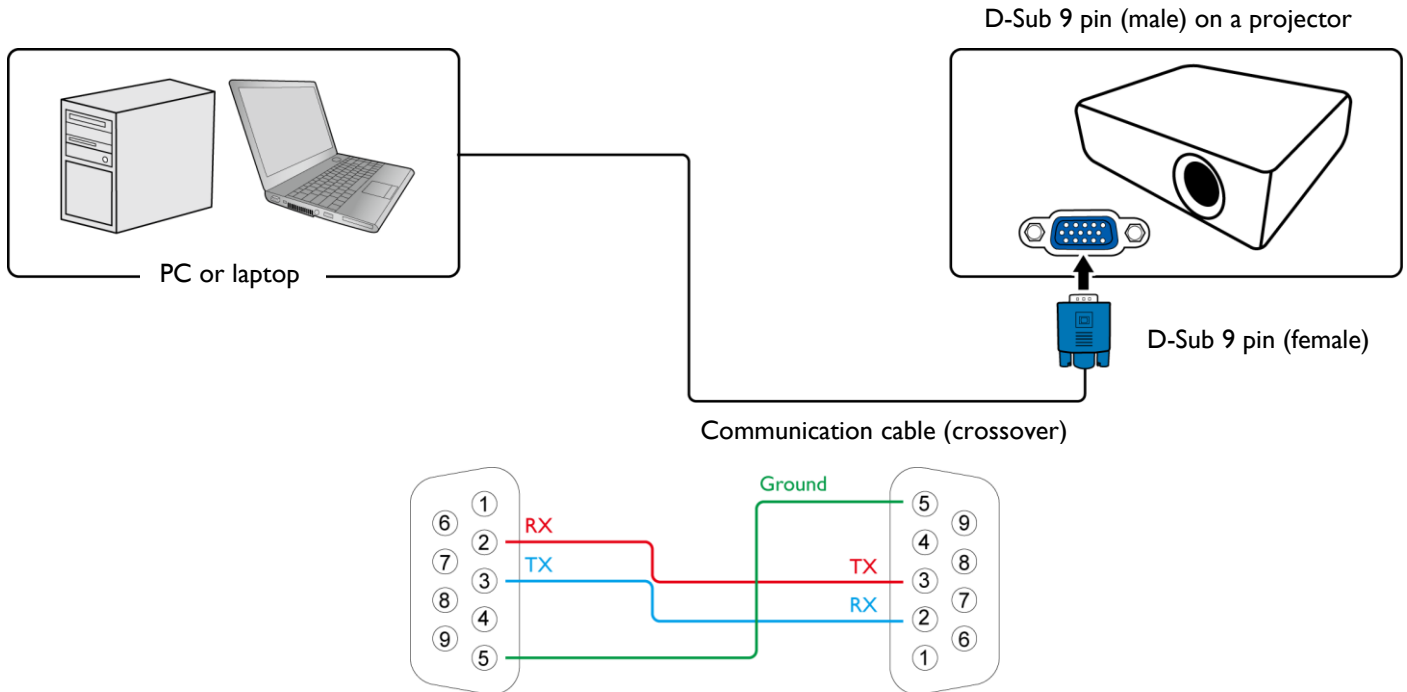


Pin	Description	Pin	Description
1	NC	2	RXD
3	TXD	4	NC
5	GND	6	NC
7	RTS	8	CTS
9	NC		


Connections and communication settings

Choose one of the connections and set up properly before RS232 control.

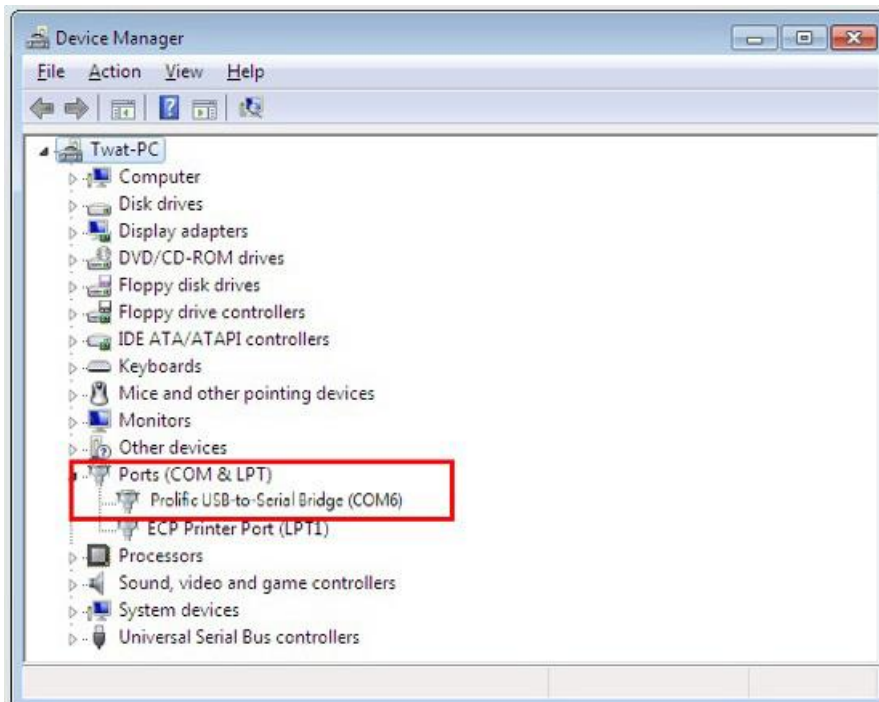
RS232 serial port with a crossover cable



Settings

 On-screen images in this document are for reference only. The screens may vary depending on your Operating System, I/O ports used for connection, and the specifications of the connected projector.

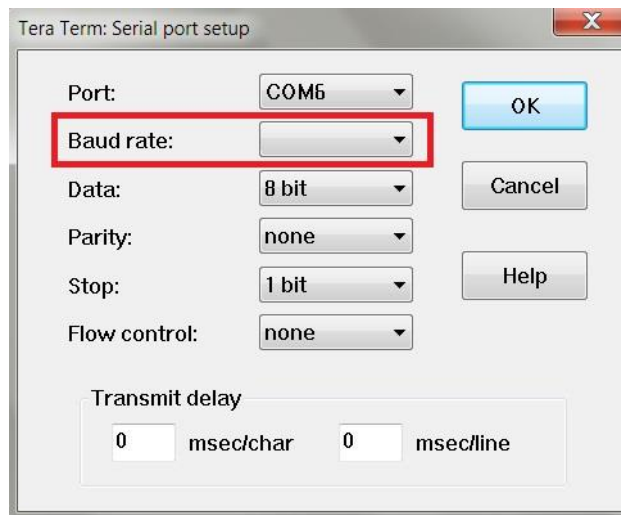
- I. Determine the COM Port name used for the RS232 communications in **Device Manager**.




2. Choose **Serial** and the corresponding COM port as the communication port. In this given example, COM6 is selected.

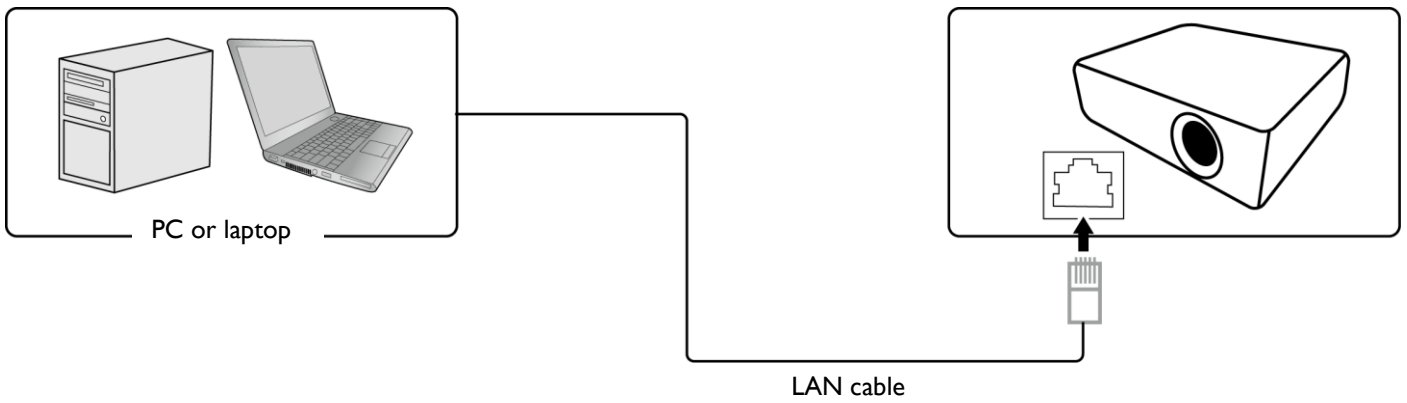


3. Finish **Serial port setup**.



Baud rate	9600 / 14400 / 19200 / 38400 / 57600 / 115200 bps  Check the baud rate of the connected projector from its OSD menu.
Data length	8 bit
Parity check	None
Stop bit	1 bit
Flow control	None

RS232 via LAN

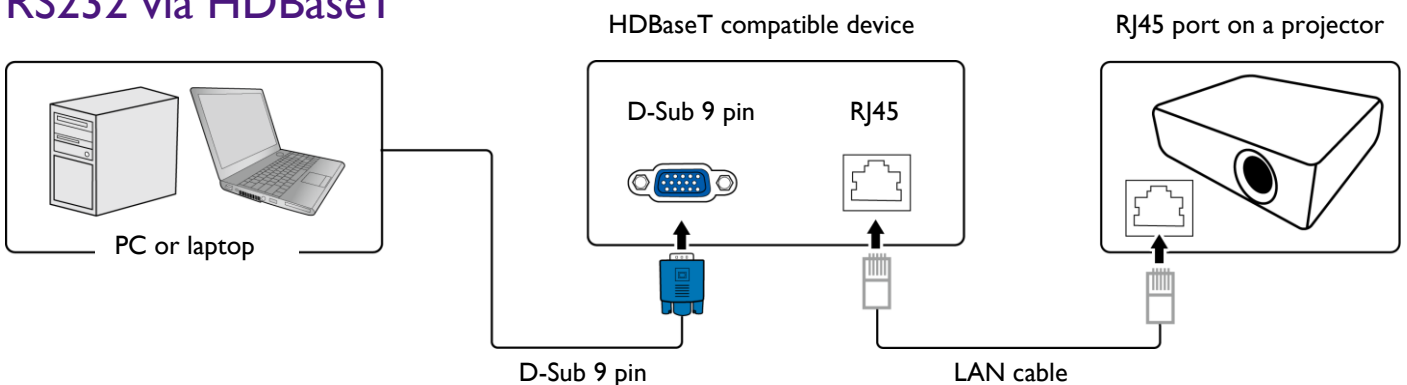


Settings

1. Find the Wired LAN IP address of the connected projector from the OSD menu and make sure the projector and the computer are within the same network.
2. Input **8000** in the **TCP port #** field.



RS232 via HDBaseT

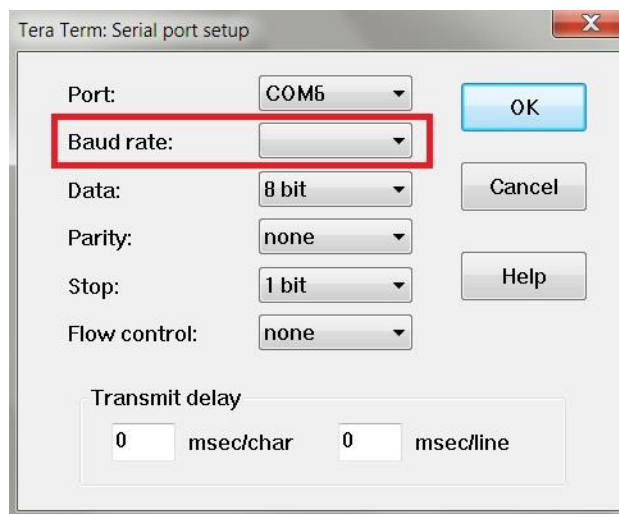



Settings

1. Determine the COM Port name used for the RS232 communications in **Device Manager**.
2. Choose **Serial** and the corresponding COM port as the communication port. In this given example, COM6 is selected.



3. Finish **Serial** port setup.



Baud rate	9600 / 14400 / 19200 / 38400 / 57600 / 115200 bps  Check the baud rate of the connected projector from its OSD menu.
Data length	8 bit
Parity check	None
Stop bit	1 bit
Flow control	None

Command table



- Available features differ by projector specification, input sources, settings, etc..
- Commands are working if the standby power is 0.5W or a supported baud rate of the projector is set.
- Uppercase, lowercase, and a mixture of both types of characters are accepted for a command.
- If a command format is illegal, it will echo **Illegal format**.
- If a command with correct format is not valid for the projector model, it will echo **Unsupported item**.
- If a command with correct format cannot be executed under certain condition, it will echo **Block item**.
- If RS232 control is performed via LAN, a command works whether it starts and ends with **<CR>**. All the commands and behaviors are identical with the control through a serial port.

Function	Type	Operation	ASCII	support
Power	Write	Power On	<CR>*pow=on#<CR>	YES
	Write	Power Off	<CR>*pow=off#<CR>	YES
	Read	Power Status	<CR>*pow=?#<CR>	YES
Source Selection	Write	COMPUTER/YPbPr	<CR>*sour=RGB#<CR>	YES
	Write	COMPUTER 2/YPbPr2	<CR>*sour=RGB2#<CR>	NO
	Write	COMPUTER 3/YPbPr3	<CR>*sour=RGB3#<CR>	NO
	Write	Component	<CR>*sour=ypr#<CR>	YES
	Write	Component2	<CR>*sour=ypr2#<CR>	NO
	Write	DVI-A	<CR>*sour=dviA#<CR>	NO
	Write	DVI-D	<CR>*sour=dvid#<CR>	NO
	Write	HDMI(MHL)	<CR>*sour=hdmi#<CR>	YES
	Write	HDMI 2(MHL2)	<CR>*sour=hdmi2#<CR>	YES
	Write	Composite	<CR>*sour=vid#<CR>	YES
	Write	S-Video	<CR>*sour=svid#<CR>	NO
	Write	Network	<CR>*sour=network#<CR>	NO
	Write	USB Display	<CR>*sour=usbdisplay#<CR>	NO
	Write	USB Reader	<CR>*sour=usbreader#<CR>	NO
	Write	HDbaseT	<CR>*sour=hdbaset#<CR>	NO
	Write	DisplayPort	<CR>*sour=dp#<CR>	NO
	Write	3G-SDI	<CR>*sour=sdi#<CR>	NO
Write	Smart System	<CR>*sour=smartsystem#<CR>	NO	
Read	Current source	<CR>*sour=?#<CR>	YES	
Audio Control	Write	Mute On	<CR>*mute=on#<CR>	YES
	Write	Mute Off	<CR>*mute=off#<CR>	YES
	Read	Mute Status	<CR>*mute=?#<CR>	YES

	Write	Volume +	<CR>*vol=+#<CR>	YES
	Write	Volume -	<CR>*vol=-#<CR>	YES
	Write	Volume level for customer	<CR>*vol=value#<CR>	YES
	Read	Volume Status	<CR>*vol=?#<CR>	YES
	Write	Mic.Volume +	<CR>*micvol=+#<CR>	NO
	Write	Mic.Volume -	<CR>*micvol=-#<CR>	NO
	Read	Mic.Volume Status	<CR>*micvol=?#<CR>	NO
Audio source select	Write	Audio pass Through off	<CR>*audiosour=off#<CR>	YES
	Write	Audio-Computer1	<CR>*audiosour=RGB#<CR>	YES
	Write	Audio-Computer2	<CR>*audiosour=RGB2#<CR> >	NO
	Write	Audio-Video/S-Video	<CR>*audiosour=vid#<CR>	YES
	Write	Audio-Component	<CR>*audiosour=ypbr#<CR>	NO
	Write	Audio-HDMI	<CR>*audiosour=hdmi#<CR>	YES
	Write	Audio-HDMI2	<CR>*audiosour=hdmi2#<CR> >	YES
	Read	Audio pass Status	<CR>*audiosour=?#<CR>	YES
Picture Mode	Write	Dynamic	<CR>*appmod=dynamic#<CR> >	NO
	Write	Presentation	<CR>*appmod=preset#<CR>	YES
	Write	sRGB	<CR>*appmod=srgb#<CR>	YES
	Write	Bright	<CR>*appmod=bright#<CR>	YES
	Write	Living Room	<CR>*appmod=livingroom#<CR>	NO
	Write	Game	<CR>*appmod=game#<CR>	NO
	Write	Cinema	<CR>*appmod=cine#<CR>	NO
	Write	Standard/Vivid	<CR>*appmod=std#<CR>	NO
	Write	Football	<CR>*appmod=football#<CR> >	NO
	Write	Football Bright	<CR>*appmod=footballbt#<CR> >	NO
	Write	DICOM	<CR>*appmod=dicom#<CR>	NO
	Write	THX	<CR>*appmod=thx#<CR>	NO
	Write	Silence mode	<CR>*appmod=silence#<CR>	NO
	Write	DCI-P3 mode	<CR>*appmod=dci-p3#<CR>	NO
	Write	Vivid	<CR>*appmod=vivid#<CR>	YES
Write	Infographic	<CR>*appmod=infographic#<	YES	

			CR>	
	Write	User1	<CR>*appmod=user1#<CR>	YES
	Write	User2	<CR>*appmod=user2#<CR>	YES
	Write	User3	<CR>*appmod=user3#<CR>	NO
	Write	ISF Day	<CR>*appmod=isfday#<CR>	NO
	Write	ISF Night	<CR>*appmod=isfnight#<CR>	NO
	Write	3D	<CR>*appmod=threed#<CR>	NO
	Read	Picture Mode	<CR>*appmod=?#<CR>	YES
Picture Setting	Write	Contrast +	<CR>*con=+#<CR>	YES
	Write	Contrast -	<CR>*con=-#<CR>	YES
	Write	Set Contrast value	<CR>*con=value#<CR>	YES
	Read	Contrast value	<CR>*con=?#<CR>	YES
	Write	Brightness +	<CR>*bri=+#<CR>	YES
	Write	Brightness -	<CR>*bri=-#<CR>	YES
	Write	Set Brightness value	<CR>*bri=value#<CR>	YES
	Read	Brightness value	<CR>*bri=?#<CR>	YES
	Write	Color +	<CR>*color=+#<CR>	YES
	Write	Color -	<CR>*color=-#<CR>	YES
	Write	Set Color value	<CR>*color=value#<CR>	YES
	Read	Color value	<CR>*color=?#<CR>	YES
	Write	Sharpness +	<CR>*sharp=+#<CR>	YES
	Write	Sharpness -	<CR>*sharp=-#<CR>	YES
	Write	Set Sharpness value	<CR>*sharp=value#<CR>	YES
	Read	Sharpness value	<CR>*sharp=?#<CR>	YES
	Write	Flesh Tone +	<CR>*fleshtone=+#<CR>	NO
	Write	Flesh Tone -	<CR>*fleshtone=-#<CR>	NO
	Write	Set Flesh Tone value	<CR>*fleshtone=value#<CR>	NO
	Read	Flesh Tone value	<CR>*fleshtone=?#<CR>	NO
	Write	Color Temperature-Warmer	<CR>*ct=warm#<CR>	NO
	Write	Color Temperature-Warm	<CR>*ct=warm#<CR>	YES
	Write	Color Temperature-Normal	<CR>*ct=normal#<CR>	YES
	Write	Color Temperature-Cool	<CR>*ct=cool#<CR>	YES
Write	Color Temperature-Cooler	<CR>*ct=cooler#<CR>	NO	
Write	Color Temperature-lamp	<CR>*ct=native#<CR>	NO	

		native		
	Read	Color Temperature Status	<CR>*ct=?#<CR>	YES
	Write	Aspect 4:3	<CR>*asp=4:3#<CR>	YES
	Write	Aspect 16:6	<CR>*asp=16:6#<CR>	NO
	Write	Aspect 16:9	<CR>*asp=16:9#<CR>	YES
	Write	Aspect 16:10	<CR>*asp=16:10#<CR>	YES
	Write	Aspect Auto	<CR>*asp=AUTO#<CR>	YES
	Write	Aspect Real	<CR>*asp=REAL#<CR>	YES
	Write	Aspect Letterbox	<CR>*asp=LBOX#<CR>	NO
	Write	Aspect Wide	<CR>*asp=WIDE#<CR>	NO
	Write	Aspect Anamorphic	<CR>*asp=ANAM#<CR>	NO
	Write	Aspect Anamorphic 2.35	<CR>*asp=ANAM2.35#<CR>	NO
	Write	Aspect Anamorphic 16:9	<CR>*asp=ANAM16:9#<CR>	NO
	Read	Aspect Status	<CR>*asp=?#<CR>	YES
	Write	Vertical Keystone +	<CR>*vkeystone=+#<CR>	YES
	Write	Vertical Keystone -	<CR>*vkeystone=-#<CR>	YES
	Read	Vertical Keystone value	<CR>*vkeystone=?#<CR>	YES
	Write	Horizontal Keystone +	<CR>*hkeystone=+#<CR>	YES
	Write	Horizontal Keystone -	<CR>*hkeystone=-#<CR>	YES
	Read	Horizontal Keystone value	<CR>*hkeystone=?#<CR>	YES
	Write	Overscan Adjustment +	<CR>*overscan=+#<CR>	NO
	Write	Overscan Adjustment -	<CR>*overscan=-#<CR>	NO
	Read	Overscan Adjustment value	<CR>*overscan=?#<CR>	NO
	Write	4 Corners Top-Left-X Decrease	<CR>*cornerfittlx=-#<CR>	YES
Operation Settings	Write	4 Corners Top-Left-X Increase	<CR>*cornerfittlx=+#<CR>	YES
	Read	4 Corners Top-Left-X Status	<CR>*cornerfittlx=?#<CR>	YES
	Write	4 Corners Top-Left-Y Decrease	<CR>*cornerfittly=-#<CR>	YES
	Write	4 Corners Top-Left-Y Increase	<CR>*cornerfittly=+#<CR>	YES
	Read	4 Corners Top-Left-Y Status	<CR>*cornerfittly=?#<CR>	YES
	Write	4 Corners Top-Right-X	<CR>*cornerfitrX=-#<CR>	YES

		Decrease		
Write	4 Corners Top-Right-X	Increase	<CR>*cornerfitrx=+#<CR>	YES
Read	4 Corners Top-Right-X	Status	<CR>*cornerfitrx=?#<CR>	YES
Write	4 Corners Top-Right-Y	Decrease	<CR>*cornerfitry=-#<CR>	YES
Write	4 Corners Top-Right-Y	Increase	<CR>*cornerfitry=+#<CR>	YES
Read	4 Corners Top-Right-Y	Status	<CR>*cornerfitry=?#<CR>	YES
Write	4 Corners Bottom-Left-X	Decrease	<CR>*cornerfitblx=-#<CR>	YES
Write	4 Corners Bottom-Left-X	Increase	<CR>*cornerfitblx=+#<CR>	YES
Read	4 Corners Bottom-Left-X	Status	<CR>*cornerfitblx=?#<CR>	YES
Write	4 Corners Bottom-Left-Y	Decrease	<CR>*cornerfitbly=-#<CR>	YES
Write	4 Corners Bottom-Left-Y	Increase	<CR>*cornerfitbly=+#<CR>	YES
Read	4 Corners Bottom-Left-Y	Status	<CR>*cornerfitbly=?#<CR>	YES
Write	4 Corners Bottom-Right-X	Decrease	<CR>*cornerfitbrx=-#<CR>	YES
Write	4 Corners Bottom-Right-X	Increase	<CR>*cornerfitbrx=+#<CR>	YES
Read	4 Corners Bottom-Right-X	Status	<CR>*cornerfitbrx=?#<CR>	YES
Write	4 Corners Bottom-Right-Y	Decrease	<CR>*cornerfitbry=-#<CR>	YES
Write	4 Corners Bottom-Right-Y	Increase	<CR>*cornerfitbry=+#<CR>	YES
Read	4 Corners Bottom-Right-Y	Status	<CR>*cornerfitbry=?#<CR>	YES
Write	Digital Zoom In		<CR>*zoomI#<CR>	YES
Write	Digital Zoom out		<CR>*zoomO#<CR>	YES

	Write	Auto	<CR>*auto#<CR>	YES
	Write	Brilliant color on	<CR>*BC=on#<CR>	YES
	Write	Brilliant color off	<CR>*BC=off#<CR>	YES
	Read	Brilliant color status	<CR>*BC=?#<CR>	YES
	Write	Reset picture settings	<CR>*rstpicsetting#<CR>	YES
	Write	Projector Position-Front Table	<CR>*pp=FT#<CR>	YES
	Write	Projector Position-Rear Table	<CR>*pp=RE#<CR>	YES
	Write	Projector Position-Rear Ceiling	<CR>*pp=RC#<CR>	YES
	Write	Projector Position-Front Ceiling	<CR>*pp=FC#<CR>	YES
	Read	Projector Position Status	<CR>*pp=?#<CR>	YES
	Write	Quick cooling on	<CR>*qcool=on<CR>	NO
	Write	Quick cooling off	<CR>*qcool=off<CR>	NO
	Read	Quick cooling status	<CR>*qcool=?<CR>	NO
	Write	Quick auto search	<CR>*QAS=on#<CR>	YES
	Write	Quick auto search	<CR>*QAS=off#<CR>	YES
Read	Quick auto search status	<CR>*QAS=?#<CR>	YES	
	Write	Menu Position - Center	<CR>*menuposition=center#<CR>	NO
	Write	Menu Position - Top-Left	<CR>*menuposition=tl#<CR>	NO
	Write	Menu Position - Top-Right	<CR>*menuposition=tr#<CR>	NO
	Write	Menu Position - Bottom-Right	<CR>*menuposition=br#<CR>	NO
	Write	Menu Position - Bottom-Left	<CR>*menuposition=bl#<CR>	NO
	Read	Menu Position Status	<CR>*menuposition=?#<CR>	NO
	Write	Direct Power On-on	<CR>*directpower=on#<CR>	YES
	Write	Direct Power On-off	<CR>*directpower=off#<CR>	YES
	Read	Direct Power On-Status	<CR>*directpower=?#<CR>	YES
	Write	Signal Power On-on	<CR>*autopower=on#<CR>	YES
	Write	Signal Power On-off	<CR>*autopower=off#<CR>	YES
	Read	Signal Power On-Status	<CR>*autopower=?#<CR>	YES
	Write	Standby Settings-Network on	<CR>*standbynet=on#<CR>	YES

	Write	Standby Settings-Network off	<CR>*standbynet=off#<CR>	YES
	Read	Standby Settings-Network Status	<CR>*standbynet=?#<CR>	YES
	Write	Standby Settings-Microphone on	<CR>*standbymic=on#<CR>	NO
	Write	Standby Settings-Microphone off	<CR>*standbymic=off#<CR>	NO
	Read	Standby Settings-Microphone Status	<CR>*standbymic=?#<CR>	NO
	Write	Standby Settings-Monitor Out on	<CR>*standbymnt=on#<CR>	YES
	Write	Standby Settings-Monitor Out off	<CR>*standbymnt=off#<CR>	YES
	Read	Standby Settings-Monitor Out Status	<CR>*standbymnt=?#<CR>	YES
	Write	2400	<CR>*baud=2400#<CR>	NO
	Write	4800	<CR>*baud=4800#<CR>	NO
	Write	9600	<CR>*baud=9600#<CR>	YES
	Write	14400	<CR>*baud=14400#<CR>	YES
	Write	19200	<CR>*baud=19200#<CR>	YES
	Write	38400	<CR>*baud=38400#<CR>	YES
	Write	57600	<CR>*baud=57600#<CR>	YES
	Write	115200	<CR>*baud=115200#<CR>	YES
	Read	Current Baud Rate	<CR>*baud=?#<CR>	YES
	Read	Lamp	<CR>*ltim=?#<CR>	YES
	Read	Lamp2 Hour	<CR>*ltim2=?#<CR>	NO
	Write	Normal mode	<CR>*lampm=lnor#<CR>	YES
	Write	Eco mode	<CR>*lampm=eco#<CR>	YES
	Write	SmartEco mode	<CR>*lampm=seco#<CR>	NO
	Write	SmartEco mode 2	<CR>*lampm=seco2#<CR>	NO
	Write	SmartEco mode 3	<CR>*lampm=seco3#<CR>	NO
	Write	LampSave+ mode	<CR>*lampm= lampsave+#<CR>	NO
	Write	Dimming mode	<CR>*lampm=dimming#<CR>	YES
	Write	Custom mode	<CR>*lampm=custom#<CR>	YES
	Write	Light level for custom	<CR>*lampcustom=value#<C	YES

		mode	R>	
Read		Light level status for custom mode	<CR>*lampcustom=?#<CR>	YES
Write (dual lamps)		Dual Brightest	<CR>* lampm =dualbr#<CR>	NO
Write (dual lamps)		Dual Reliable	<CR>* lampm =dualre#<CR>	NO
Write (dual lamps)		Single Alternative	<CR>* lampm =single#<CR>	NO
Write (dual lamps)		Single Alternative Eco	<CR>* lampm =singleeco#<CR>	NO
Read		Lamp Mode Status	<CR>*lampm=?#<CR>	YES
Read		Model Name	<CR>*modelname=?#<CR>	YES
Read		System F/W Version	<CR>*sysfwversion=?#<CR>	YES
Read		Scaler F/W Version	<CR>*scalerfwversion=?#<CR>	YES
Read		Lan F/W Version	<CR>*lanfwversion=?#<CR>	YES
Read		MCU F/W Version	<CR>*mcufwversion=?#<CR>	YES
Read		Ballast F/W Version	<CR>*ballastfwversion=?#<CR>	YES
Write		Blank On	<CR>*blank=on#<CR>	YES
Write		Blank Off	<CR>*blank=off#<CR>	YES
Read		Blank Status	<CR>*blank=?#<CR>	YES
Write		Freeze On	<CR>*freeze=on#<CR>	YES
Write		Freeze Off	<CR>*freeze=off#<CR>	YES
Read		Freeze Status	<CR>*freeze=?#<CR>	YES
Write		Menu On	<CR>*menu=on#<CR>	YES
Write		Menu Off	<CR>*menu=off#<CR>	YES
Read		Menu Status	<CR>*menu=?#<CR>	YES
Write		Up	<CR>*up#<CR>	YES
Write		Down	<CR>*down#<CR>	YES
Write		Right	<CR>*right#<CR>	YES
Write		Left	<CR>*left#<CR>	YES
Write		Enter	<CR>*enter#<CR>	YES

	Write	Back	<CR>*back#<CR>	YES
	Write	Source Menu On	<CR>*sourmenu=on#<CR>	YES
	Write	Source Menu Off	<CR>*sourmenu=off#<CR>	YES
	Read	Source Menu Status	<CR>*sourmenu=?#<CR>	YES
	Write	3D Sync Off	<CR>*3d=off#<CR>	YES
	Write	3D Auto	<CR>*3d=auto#<CR>	YES
	Write	3D Sync Top Bottom	<CR>*3d=tb#<CR>	YES
	Write	3D Sync Frame Sequential	<CR>*3d=fs#<CR>	YES
	Write	3D Frame packing	<CR>*3d=fp#<CR>	YES
	Write	3D Side by side	<CR>*3d=sbs#<CR>	YES
	Write	3D inverter disable	<CR>*3d=da#<CR>	YES
	Write	3D inverter	<CR>*3d=iv#<CR>	YES
	Write	2D to 3D	<CR>*3d=2d3d#<CR>	NO
	Write	3D nVIDIA	<CR>*3d=nvidia#<CR>	NO
	Read	3D Sync Status	<CR>*3d=?#<CR>	YES
	Write	Remote Receiver On	<CR>*rr=on#<CR>	NO
	Write	Remote Receiver Off	<CR>*rr=off#<CR>	NO
	Write	Remote Receiver-front+rear	<CR>*rr=fr#<CR>	NO
	Write	Remote Receiver-front	<CR>*rr=f#<CR>	YES
	Write	Remote Receiver-rear	<CR>*rr=r#<CR>	NO
	Write	Remote Receiver-top	<CR>*rr=t#<CR>	YES
	Write	Remote Receiver-top+front	<CR>*rr=tf#<CR>	YES
	Write	Remote Receiver-top+rear	<CR>*rr=tr#<CR>	NO
	Read	Remote Receiver Status	<CR>*rr=?#<CR>	YES
	Write	Instant On-on	<CR>*ins=on#<CR>	NO
	Write	Instant On-off	<CR>*ins=off#<CR>	NO
	Read	Instant On Status	<CR>*ins=?#<CR>	NO
	Write	Lamp Saver Mode-on	<CR>*lpsaver=on#<CR>	NO
	Write	Lamp Saver Mode-off	<CR>*lpsaver=off#<CR>	NO
	Read	Lamp Saver Mode Status	<CR>*lpsaver=?#<CR>	NO
	Write	Projection Log In Code on	<CR>*prjlogincode=on#<CR>	NO
	Write	Projection Log In Code off	<CR>*prjlogincode=off#<CR>	NO
	Read	Projection Log In Code	<CR>*prjlogincode=?#<CR>	NO

	Status		
Write	Broadcasting on	<CR>*broadcasting=on#<CR>	NO
Write	Broadcasting off	<CR>*broadcasting=off#<CR>	NO

BenQ.com

© 2018 BenQ Corporation

All rights reserved. Rights of modification reserved.

Version: 1.01-C