

SINGLE JET DRY DIAL WATER METER

Model CD97TAR/LD-E/G

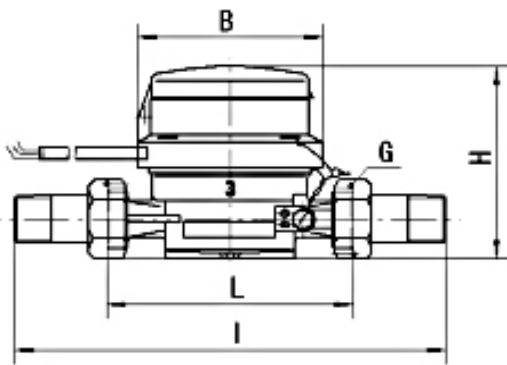


LIANLI WATER METER



CPFS

COMMERCIAL PLUMBING & FIRE SUPPLIES



Application

CD97TAR/LD-E/G series cold water meter is of inferential single-jet type, super dry pattern i.e. dry dial, magnetic drive type with lower magnet fitted directly to the fan wheel, which is the only moving part submerged in water. Therefore, the meter is ideally suitable for operating with hard and chipping water with sand in suspension without the rapid deterioration of gears, which in traditional designs, are submerged in water. This series can be equipped with the pulse device.

Special Features

- Magnetic shield structure with which the water meter cannot be influenced by outside magnetic fields

Operating Conditions

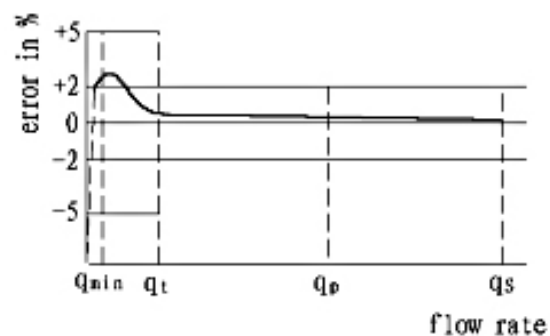
- Maximum admissible water pressure $\leq 1.6\text{mpa}$ (16bar)
- Cold water temperature up to 50°C and Hot water up to 90°C

Maximum Permissible Error

- From q_t inclusive up to and including q_s is $\pm 2\%$
- From q_{min} inclusive up to but excluding q_t exclusive is $\pm 5\%$

Technical data conforms to ISO 4064 Class B standards

Flow Error Curve



Technical Data

Main Technical Specifications

Description	Unit	Hydraulic Data and Dimensions		
Nominal Size	mm	15	20	25
Nominal Size	inch	1/2	3/4	1
Overload Flow Rate (q_o)	m ³ /h	3	5	7
Permanent Flow Rate (q_p)	m ³ /h	1.5	2.5	3.5
Transitional Flow Rate (q_t)	l/h	0.12	0.2	0.28
Minimum Flow Rate (q_{min})	l/h	0.03	0.05	0.07
Minimum Reading	l	0.00005	0.00005	0.00005
Maximum Reading	m ³	99999.999	99999.999	99999.999
Maximum Working Pressure	MPa	1.6	1.6	1.6
L	mm	110	130	160
I	mm	190	234	280
H	mm	86	86	113
B	mm	81	81	94

Commercial Plumbing & Fire Supplies
41 Babbage Drive
DANDENONG SOUTH VIC 3175
T +61 3 9791 7500
F +61 3 9791 7500
M +61 429 183 694
sales@cpfs.net.au
ABN 26 106 908 169

About Commercial Plumbing & Fire Supplies

The CPFS range provides an innovative and cost effective solution for any commercial plumbing project. CPFS is also the exclusive distributor of the LianLi water meters in Australia. Water meters of the Lianli brand perform strictly as per ISO 4064 Class B, EEC Standard 75/33/EEC and British National Standard GB/T778. All water meters are UL listed and FM approved and some products have WaterMark Certificate of Conformity.