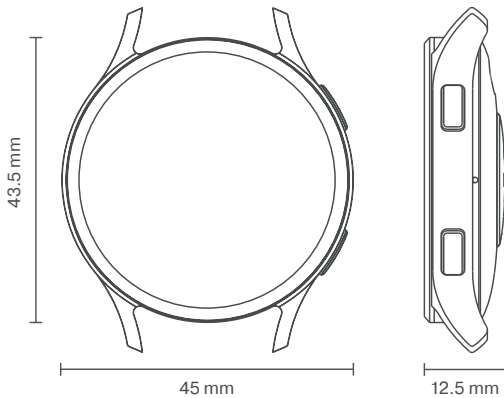


ST20 AMOLED

ST20AB
ST20AP
ST20AG

BLACK
PINK
GOLD



Color	Black, Gold, Pink
Screen	1.3" AMOLED
Pixel	360RGB*360
Touch type	Full Screen Multi-Touch
Connection	Wireless 5.1
Charging method	Magnetic cable
Waterproof level	Splashproof
Compatible systems	Android 4.4 (inclusive) or above, iOS 8.0 (inclusive) or above
Battery type	Lithium polymer
Battery capacity	250 mAh
Dimension (mm)	45 x 43.5 x 12.5
Weight (g)	41
Wristband (mm)	225
Body material	Plastic + Aluminium alloy
Strap material	Silicone + Stainless Steel
Lug width (mm)	20
Charging time	~1.5 h
Life time	2–3 days of use, 7 days of standby
App	Energy Fit
Languages	English, Chinese, Japanese, Korean, German, French, Spanish, Arabic, Russian, Ukrainian, Italian, Portuguese

