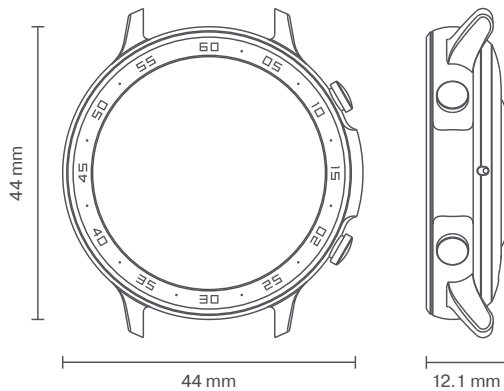


ST10

ST10B
ST10SG

BLACK
STEEL GREY



Color	Black, Steel Gray
Screen	1.28"
Pixel	240RGB*240
Touch type	Full Screen Touch
Connection	Wireless 5.0/Wireless 4.0
Charging method	Magnetic stand
Waterproof level	Splashproof
Compatible systems	Android 4.4 (inclusive) or above, iOS 8.0 (inclusive) or above
Battery type	Lithium polymer
Battery capacity	240 mAh
Dimension (mm)	44 x 44 x 12.1
Weight (g)	50
Wristband (mm)	225
Body material	Plastic + Zinc alloy
Strap material	Silicone + Stainless Steel
Lug width (mm)	20
Charging time	~3.5 h
Life time	2—3 days of use, 7 days of standby
App	Energy Fit
Languages	English, Chinese, Japanese, Korean, German, French, Spanish, Arabic, Russian, Ukrainian, Italian, Portuguese