

FIG 1. CYLINDER

REF.	DESCRIPTION	(PCS)	
NO. ST01			
1	11111HE7101	CYLINDER COMP HEAD	1
2	11141-04C00	GASKET,cylinder head	1
3	08316-16088	NUT,cylinder head(M8)	4
4	09482-01255	PLUG,spark(W22FPR)	1
5	11210HE7100PCY	CYLINDER COMP	1
6	11241HE7102	GASKET,cylinder	1
7	04213-11129	PIN,cylinder knock	2
8	09108-08056	STUD BOLT,cylinder	2
9	09108-08216	STUD BOLT,cylinder	2

FIG 1

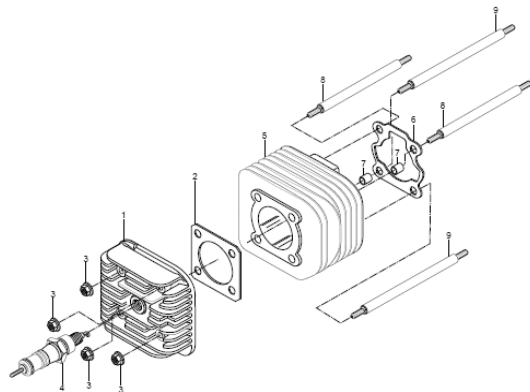


FIG 2. CRANK CASE

REF.	DESCRIPTION		(PCS)
NO. ST01			
0	11300SL4100HPA	CASE SET,crank	1
1	11311HL4103PCC	CASE,crank RH ~ KM4AE12A341104320	1
1~1	11311HE7109PCC	CASE,crank RH KM4AE12A341104321 ~	1
2	11321HE7103PCC	CASE,crank LH	1
3	09319-12036	BUSH,engine mounting	2
4	09138-04003	SCREW,rear valve ass'y	2
5	09300-08016	BUSH,starter idle shaft	1
6	04213-11169	PIN,clutch cover	2
7	02112-06758	SCREW,crank case(M6*75)	1
8	02112-06508	SCREW,crank case(M6*50)	4
9	02112-06858	SCREW,crank case(M6*85)	1
10	11431HL4100PCR	COVER,gear box ~ KM4AE12A341104320	1
10~1	11431HE7100PCR	COVER,gear box KM4AE12A341104321 ~	1
11	11484HE7102	GASKET,gear box cover ~ KM4AE12A341104320	1
11~1	11484HP4302	GASKET,gear box cover KM4AE12A341104321 ~	1
12	01547-06258	SCREW,gear box cover(M6*25)	5
13	01547-06308	SCREW,gear box cover(M6*30)	1
14	04213-11169	PIN,clutch cover	2
15	09168-08008	GASKET,oil level(NA)	1
16	01514-08128	BOLT,oil level	1
17	09250H11005	PLUG,oil filler	1
18	09168H10003	GASKET,oil drain bolt	1
19	09247-100A8	PLUG,oil drain	1
20	11382-37B01	CAP,starter idle gear	1

FIG 2

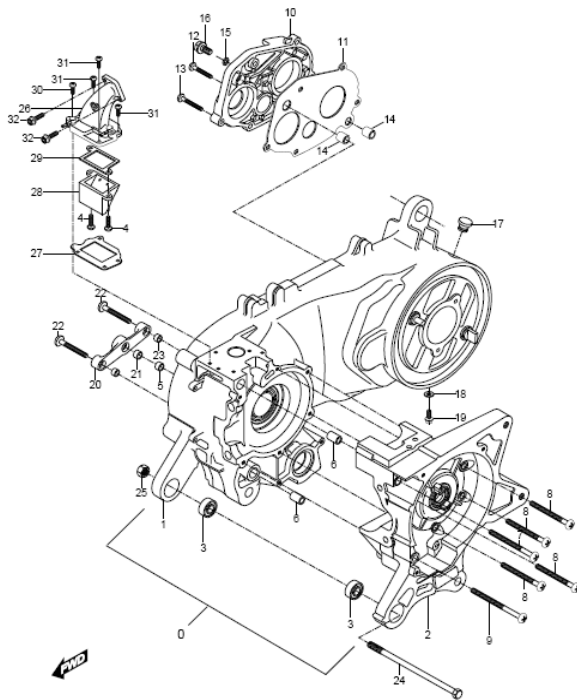


FIG 2. CRANK CASE

REF. NO. ST01	DESCRIPTION	USAGE (PCS)
21	09300-08016 BUSH,starter idle shaft	
22	02112-06308 SCREW,starter idle gear cap(M6*30)	2
23	04213-09109 PIN,starter idle gear cap	2
24	09100-12028 BOLT,engine mounting(M12*185)	1
25	08319-31126 NUT,engine mounting(M12)	1
26	13110HL4100 PIPE COMP,intake	1
27	13125HE7101 GASKET,intake pipe	1
28	13150HE7100 VALVE ASS'Y, reed	1
29	13126HE7102 GASKET,reed valve	1
30	02112-36256 SCREW,intake pipe front L(M6*25)	1
31	02112-36206 SCREW,intake pipe(M6*20)	3
32	09137H06021 SCREW,carburetor	2

FIG 2

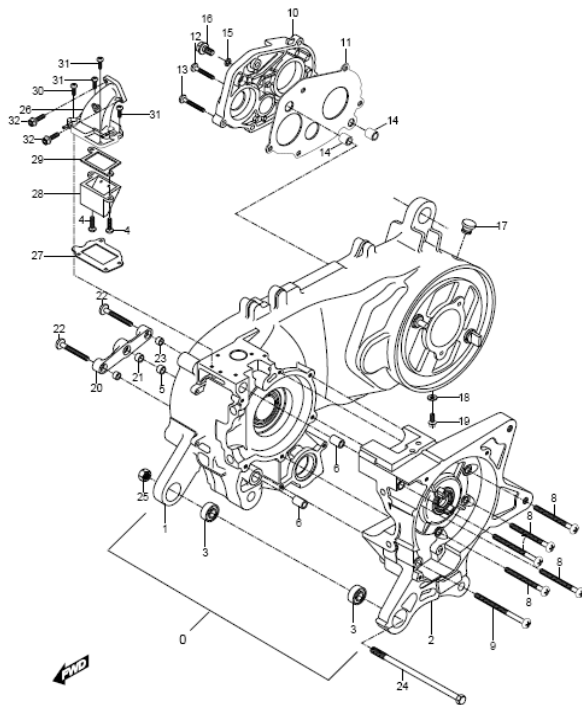


FIG 3. CLUTCH COVER

REF. NO. ST01	DESCRIPTION	USAGE (PCS)
1	11341HL4100999 COVER,clutch	1
2	11480HE7102 GASKET COMP,clutch cover	1
3	11490HE7102 GASKET COMP,crank case R center	1
4	04213-11169 PIN,clutch cover	2
5	02112-06255 SCREW,clutch cover(M6*25)	6
6	02112-06455 SCREW,clutch cover(M6*45)	1
7	02112-06605 SCREW,clutch cover(M6*60)	1
8	02142-06125 SCREW,crankcase cleaner(M6*12)	2
9	17213HE7110 FILTER,crankcase cleaner case	1
10	17212HE7110 CAP,crankcase cleaner case	1
11	17200HL4100 CASE,crankcase cleaner	1
12	09180H12001 SPACER,clutch cover gasket No.2	
13	09180H07001 SPACER,clutch cover gasket No.1	
14	02112-06505 SCREW,clutch cover(M6*50)	1

FIG 3

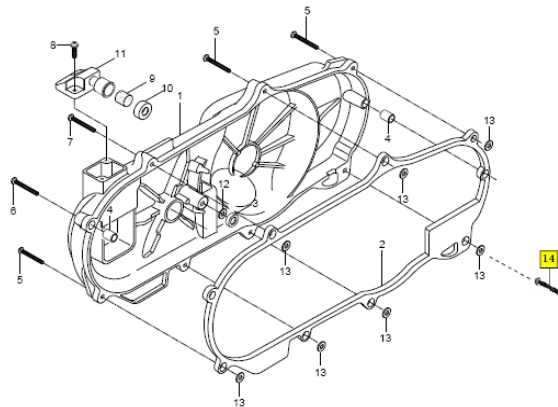


FIG 4. CRANK SHAFT

REF. NO. ST01	DESCRIPTION	USAGE (PCS)
1	12111-41D00PSA PISTON,comp	1
2-1	12141-35510 RING,piston	2
3	12151-35500 PIN,piston	1
4	09381-12001 CIRCLIP	2
5	09263H12004 BEARING,piston pin	1
6	12200SE7100HPA CRANKSHAFT,assy	1
7	12161HE7100 CONNROD	1
8	12211HE7100 PIN,crank	1
9	12221HE7100CSA CRANKSHAFT,R	1
10	12261HE7100CSA CRANKSHAFT,L	1
11	09263H20002 BEARING,crank pin	1
12	09160-20010 THRUST WASHER	2
13	09180-18011 SPACER	1
14	09262H250A2 BEARING,crankshaft	2
15	09283-25083 OIL SEAL,crankshaft R	1
16	09283-17017 OIL SEAL,crankshaft L	1
17	12622HE7101 GEAR,starter	1
18	09284-24001 OIL SEAL	1
19	09181-15057 SHIM,crankshaft R	1

FIG 4

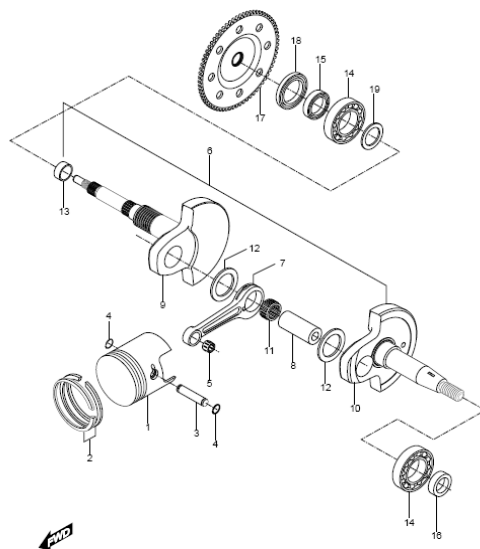


FIG 5. CARBURETOR

REF.	DESCRIPTION	USAGE
NO. ST01		(PCS)
1	13200HN4700	CARBURETOR ASS'Y
2	13681HE7100	CAP,carburetor top
3	13261HE7100	COVER,top
4	13249HE7100	GASKET,top cover
5	13573HE7100	SPRING,throttle valve
6	13581HE7100	CLIP
7	13533HE7100	E-RING,throttle valve
8	13383HE7100	NEEDLE,jet
9	13551HE7100	VALVE,throttle
10	13601HE7100	SCREW
11	13610HE7100	RETAINER
12	13267HE7100	SCREW,throttle stop
13	13266HE7100	WASHER
14	13265HE7100	SPRING
15	13269HE7100	SCREW,pilot air
16	13268HE7100	SPRING
17	13606HE7100	WASHER
18	13295HE7100	O-RING
19	09494HE7100	JET,needle
20	09492HE7100	JET,pilot

FIG 5

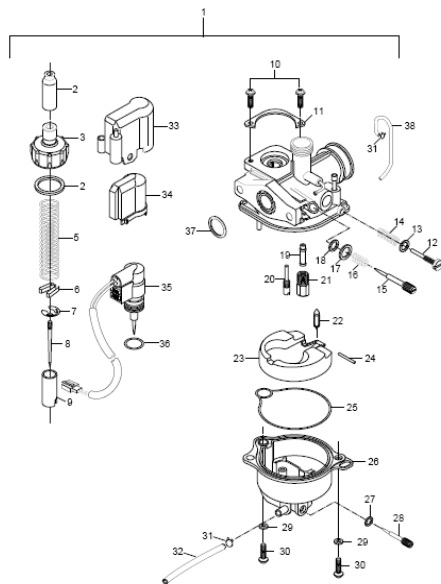
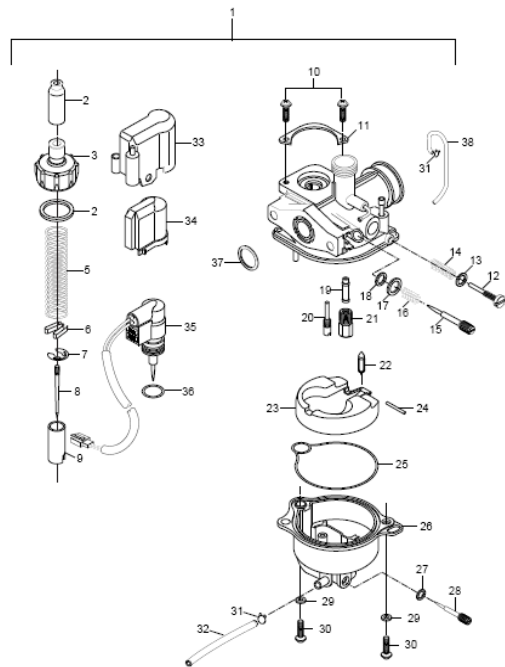


FIG 5. CARBURETOR

— 1

REF.	DESCRIPTION	USAGE
NO. ST01		(PCS)
21	09491HE7100	JET,main 1
22	13370HE7100	VALVE,needle 1
23	13250HE7100	FLOAT 1
24	13254HE7100	PIN,float 1
25	13258HE7100	GASKET 1
26	13245HE7100	BODY,float 1
27	13278HE7100	O-RING,drain screw 1
28	13247HE7100	SCREW,drain 1
29	08321HE7100	WASHER 2
30	02112-04148	SCREW(M4*14) 2
31	09401-08401	CLIP 2
32	13683HE7100	HOSE 1
33	13630HE7100	CAP,holder outer 1
34	13640HE7100	CAP,holder inner 1
35	13430HE7100	ELEMENT ASSY,thermo 1
36	13650HE7100	O-RING,element 1
37	13277HE7100	O-RING 1
38	13684HE7100	HOSE,air vent 1

FIG 5



PWD

FIG 6. AIR CLEANER

REF.	DESCRIPTION	USAGE	
NO. ST01		(PCS)	
1	13700HK3104	CLEANER,assy air	1
1-1	13721HK3103	CASE,air cleaner	1
2	13740HK3101	CAP,air cleaner	1
3	13821HK3102	CHAMBER,air cleaner	1
4	13831HK3101	TUBE, connecting	1
5	13736HK3100	GASKET,air cleaner	1
6	13781HK3100	FILTER,air cleaner	1
7	09402-36207	CLAMP, tube connecting	2
8	13881HK3100	TUBE, outlet	1
9	02112-06168	SCREW,air cleaner chamber(M6*16)	2
10	13861HE7100	TUBE, drain	1
11	09402-34207	CLAMP, outlet tube	1
12	02112-16166	SCREW,air cleaner(M6*16)	3
13	02142-05128	SCREW(M5*12)	2
14	13830HL4100	BRACKET,air cleaner chamber	1
15	03142-05169	SCREW(M5*16)	4
16	13820HL4100	CHAMBER,assy air cleaner	1

FIG 6

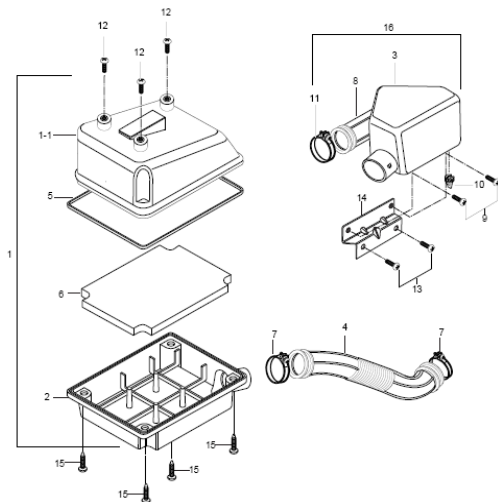


FIG 7. MUFFLER

REF. NO. ST01	DESCRIPTION	USAGE (PCS)
1	14181-41D00 GASKET,exhaust pipe(NA)	1
2	01177-08268 BOLT,muffler support bracket(M8*2)	2
3	14310HL4101PAM BODY COMP,muffler	1
4	09128-08001 BOLT,exhaust pipe	2
5	08321-31088 SPRING WASHER,exhaust	2

FIG 7

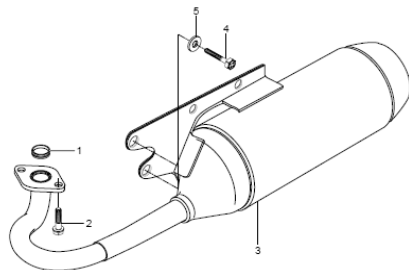


FIG 8. OIL PUMP

REF. NO. ST01	DESCRIPTION	USAGE (PCS)	
1	16000-41D06	PUMP,assy oil	1
2	09280H20002	O-RING,oil pump	1
3	02112-35168	SCREW,oil pump(M5*16)	2
4	02112-06128	SCREW,oil pump cable bracket(M6*)	2
6	16631HE7101	BRACKET,oil pump cable adjuster	1
7	16821HK3100	HOSE,oil No.1	1
8	09401-10401	CLIP	2
9	16910-09C00	VALVE COMP	1
10	16831HE7102200	HOSE,oil No.2(L=200)	1
11	16831H11200	HOSE,oil No.2(L=170)	1
12	09401-04401	CLIP	2
13	09408-00066	CLAMP,oil hose No.2	1
14	09404-06401	CLAMP	1
15	09352-20503025	HOSE,oil(L=25)	1
16	09352-50823360	HOSE,oil	1
17	09401-04401	CLIP,oil hose No.2	4
18	09352-20503080	HOSE,oil(L=80)	1
19	16831H11200	HOSE,oil No.2(L=170)	1
20	16331-37B00	GEAR,oil pump driven	1
21	09401H11401	CLIP,oil hose No.1	1

FIG 8

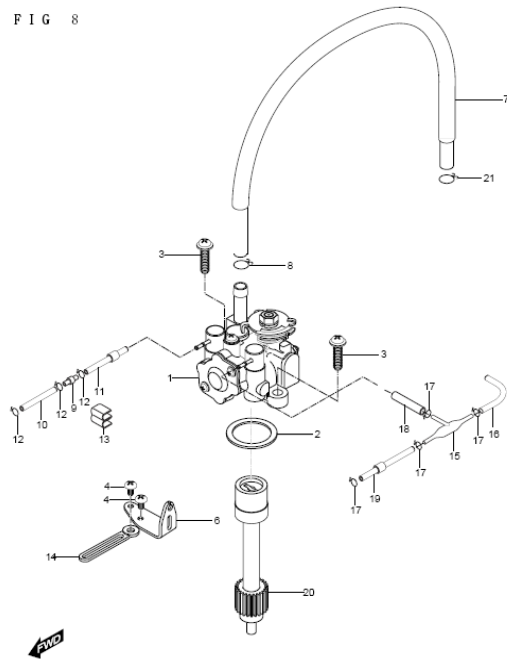


FIG 9. COOLING FAN

REF.	DESCRIPTION	USAGE	
NO. ST01		(PCS)	
1	17110-04C00	FAN COMP,cowling	1
2	02152-06128	SCREW,cooling fan(M6*12)	2
3	17131HE7100	COWLING,fan	1
4	02112-96168	SCREW,cylinder cowling(M6*25)	1
5	03141-06305	SCREW,cowling fan(M6*30)	1
6	03151-06208	SCREW,cowling fan(M6*20)	3
7	02112-06168	SCREW,fan case(M6*16)	4
8	17120HE7104	COWLING COMP,cylinder	1
9	17140HL4100	CASE COMP,fan	1
10	17146HF1601	SPACER,fan case	1

FIG 9

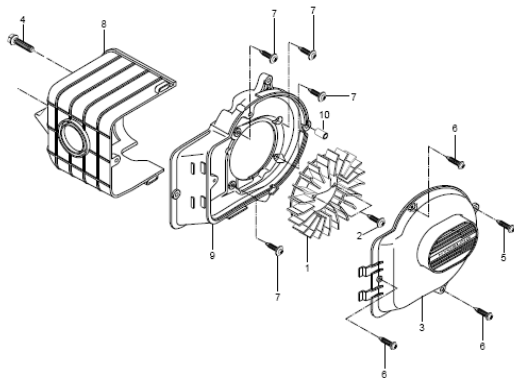


FIG 10. TRANSMISSION(1)

REF. NO. ST01	DESCRIPTION	USAGE (PCS)	
1	21110HE7101	FACE, fixed drive	1
2	21120HE7100	FACE, movable drive	1
3	09284-22003	OIL SEAL, movable drive	
4	21431HE7100	PLATE, movable drive	1
5	21481HE7100	DAMPER, movable drive	6
6	21650HF4500HPA	ROLLER COMP, movable drive	6
7	21122-37B01	COVER, movable drive	
8	02142-04088	SCREW, movable drive (M4*8)	
9	09180H16011	SPACER, movable drive	1
10	09180H22017	SPACER, movable drive adjuster	
11	27601HE7100	V-BELT, drive	1
12	08316-26108	NUT, kick starter driven gear	1

FIG 10

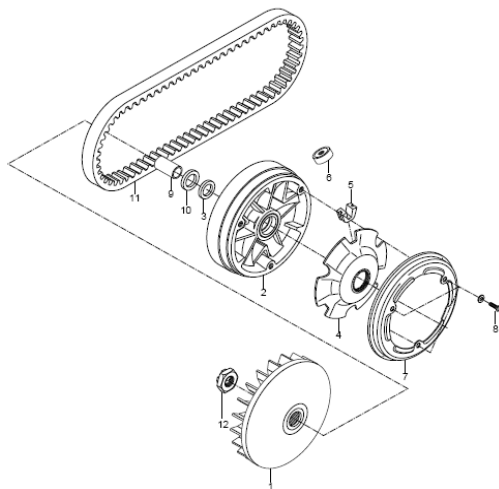


FIG 11. TRANSMISSION(2)

_1

REF. NO. ST01	DESCRIPTION	USAGE (PCS)
1	24131HE7102 SHAFT_drive(14T) ~ KM4AE12A341104320	1
1~1	24131HE7103 SHAFT_drive(14T) KM4AE12A341104321 ~	1
2	21091HL4100 PULLEY ASS'Y,driven	1
3	21210HE7101 FACE,fixed driven	1
4	09201H05002 PIN,movable driven	3
5	09180H05002 SPACER	3
6	21240HE7101 FACE,movable driven	1
7	09280H38002 O-RING	1
8	09280H36002 O-RING	1
9	21471HE7100 SHEET,movable driven	1
10	09284H34001 OIL SEAL	2
11	09440H54002 SPRING, driven face	1
12	21501HL4100 CLUTCH ASS'Y,,shoe(NA)	1
13	09140H28004 NUT(M28)	1
14	21220HE7102 HOUSING COMP,clutch	1
15	08316-26108 NUT,cluch housing(M10)	1
16	24151HL4102 SHAFT COMP,idle ~ KM4AE12A341104320	1
16~1	24151HE7102 SHAFT COMP,idle KM4AE12A341104321 ~	1
17	08113-62010 BEARING, idle shaft L	1
18	09263H16002 BEARING,idle shaft R	1
19	08211-12201 WASHER,idle shaft L	1
20	08211-16301 WASHER,idle shaft R	1

FIG 11

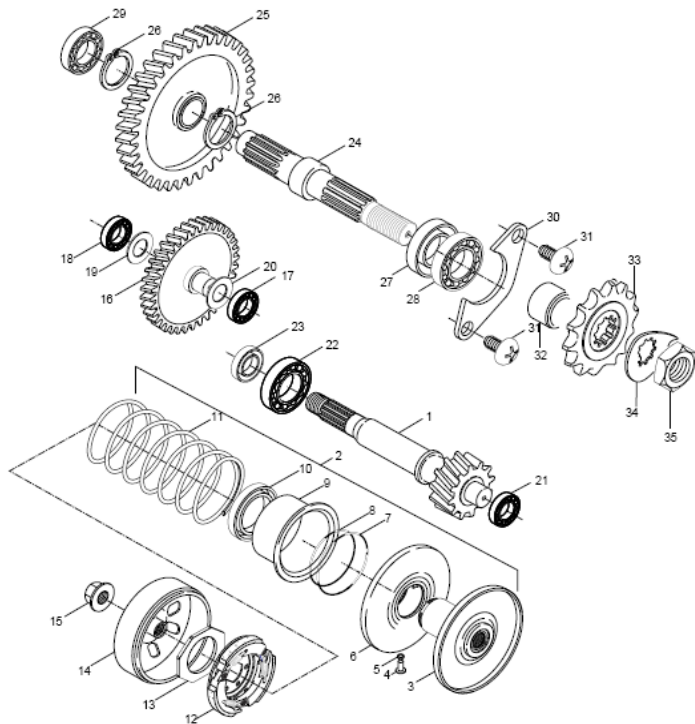


FIG 11. TRANSMISSION(2)

-1

REF. NO.	ST01	DESCRIPTION	USAGE (PCS)
21	09262-15017	BEARING,drive shaft L	1
22	09262H17001	BEARING,drive shaft R	1
23	09283H17003	O-SEAL,drive shaft	1
24	24141HE7100	SHAFT,rear axle	1
		~KM4AE12A851104346	
24~1	24141HL4101	SHAFT,rear axle	1
		KM4AE12A851104347 ~	
25	24371HL4100	GEAR,final driven	1
		~ KM4AE12A341104320	
25~1	24371HE7100	GEAR,final driven	1
		KM4AE12A341104321 ~	
26	08331-31229	CIRCLIP,final driven gear	2
27	09283-27010	O-SEAL, axle shaft L	1
28	08130-62047	BEARING,axle shaft L	1
29	08110-62030	BEARING,axle shaft R	1
30	24751H07900	RETAINER,axle bearing	1
31	02122-06168	SCREW,bearing fetainer(M6*16)	2
32	27531HK3100	SPACER,rear axle shaft	1
33	27511HK3104	SPROCKET,engine(21T)	1
		~ KM4AE12A341104320	
33~1	27511HP4300	SPROCKET,engine(21T)	1
		KM4AE12A341104321 ~	
34	09167-20006	WASHER,engine sprocket knock	1
35	09140-16017	NUT,engine sprocket	1

FIG 11

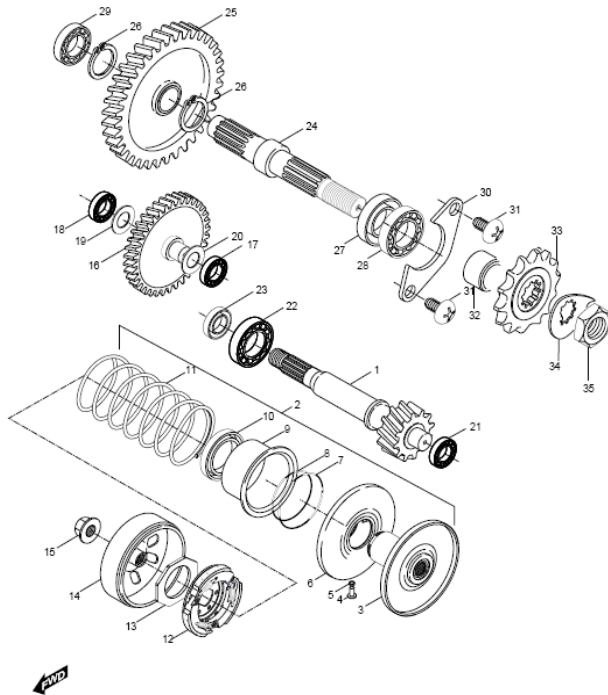


FIG 12. STARTING MOTOR

REF. NO. ST01	DESCRIPTION	USAGE (PCS)	
1	31100HE7100	MOTOR ASS'Y,starting	1
2	31311-04C01	AMATEUR	1
3	31130-04C00	HOLDER,ASS'Y brush	1
4	31131-04C00	HOLDER,brush	1
5	31157-02540	GASKET	1
6	02112-35166	SCREW(M5*16)	3
7	31135-05B00	SPRING,brush	2
8	02112-06308	SCREW(M6*30)	2
9	31142-41A00	WIRE,lead	1
10	31120-04C00	COVER,starting motor	1
11	31156-05B00	O-RING	1
12	31370HE7100	PINION ASS'Y,starting motor	1
13	02112-36308	SCREW,starting motor	1
14	02112-36358	SCREW,starting motor	1

FIG 12

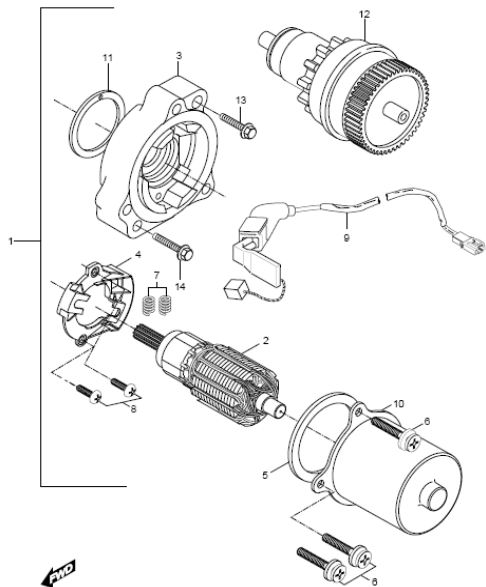


FIG 13. MAGNETO

REF.	DESCRIPTION	USAGE
------	-------------	-------

NO.	ST01	(PCS)
-----	------	-------

1	32100HE7100	MAGNETO,assy	1
2	32101HE7100	STATOR,assy	1
3	32102HE7100	ROTOR,assy	1
4	02112-05108	SCREW,pulser coil(M5*10)	2
5	02112-96168	SCREW,magneto stater	2
6	08341-31039	KEY,magneto	1
7	09316-26108	NUT,magneto fly wheel(M10)	1

FIG 13

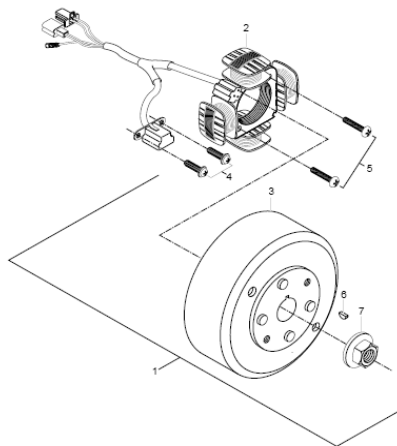


FIG 13

FIG 14. ELECTRICAL

REF. NO. ST01	DESCRIPTION	USAGE (PCS)	
1	33410HK3101	COIL ASS'Y, ignition	1
2	01517-06308	BOLT,ignition coil(M6*30)	2
3	33510H11200	CAP,spark plug	1
4	33543H11200	BOOT,spark plug, cap	1
5	33610-40B12	BATTERY ASS'Y,(STX5L-BS)	1
6	31800-41D00	RELAY,starting motor	1
7	32900H41D10	CDI,unit	1
8	32800-36C20	RECTIFIER,assy	1
9	02112-06168	SCREW,(M6*16)	1
10	09180-06030	SPACER,ignition coil	2

FIG 14

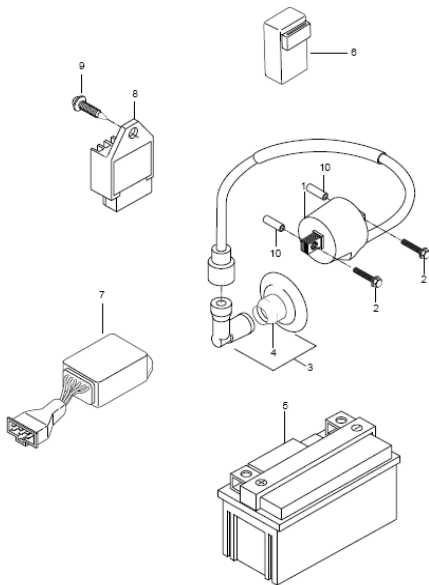


FIG 15. WIRING HARNESS

REF. NO. ST01	DESCRIPTION	USAGE (PCS)
1	36610HN4700 WIRING HARNESS	1
2	09407-14403 CLAMP,wiring harness	8
3	09407-18401 BAND,wire	
4	37110-25319 SWITCH ASS'Y, steering	1
5	37820HK3100 SWITCH ASS'Y, emergency	1
6	31910HK3100 CASE,emergency switch	
7	37115H05300 BRACKET, ignition switch	1

FIG 15

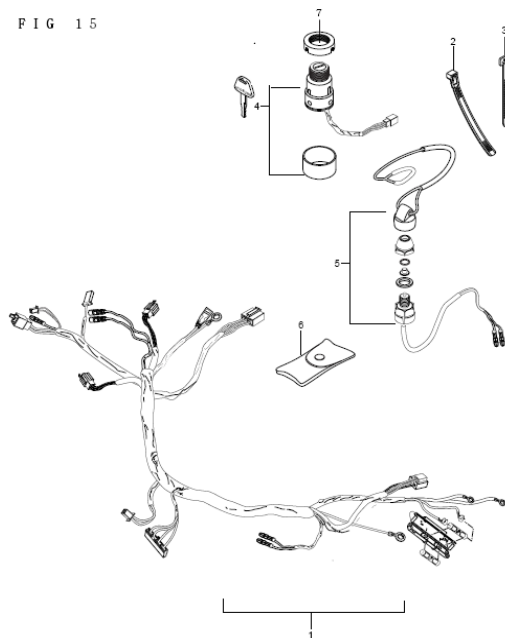


FIG 16. FRAME

REF.	DESCRIPTION	USAGE
NO. ST01		(PCS)

1	41100HN470103P	FRAME,comp	1
2	43990HK310303P	GRIP COMP, front	1
3	61390HL4102120	GUARD COMP, under	1
4	09320-11008	CUSHION,front fender R/L	2
5	01517-10306	BOLT(M10,L=30)	2
6	09320-10023	CUSHION,swing stop	2
7	01517-06166	BOLT,front grip(M6*16)	4
8	09103H10022	BOLT,under guard front(M10*110)	1
9	08319-31126	NUT,engine mounting(M12)	1
10	61110HL4100HPA	LINK COMP,engine mounting	1
11	09103H12047	BOLT,engine mounting(M12*215)	1
12	08316-26106	NUT,under guard front(M10)	1
13	09319-12036	BUSH,engine mounting	2
14	01517-08166	BOLT,under guard rear(M8*16)	2
15	44281-29C00	CUSHION,oil tank lower(30*30*T3)	1

FIG 16

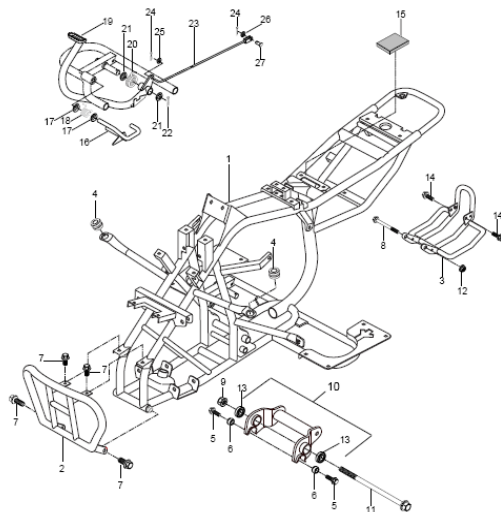


FIG 18. OIL TANK

REF. NO. ST01	DESCRIPTION	USAGE (PCS)
1	44611HK3102 TANK,oil	1
2	44651HG2600 CAP,oil tank filler	1
3	09116-06010 BOLT,oil tank	2

FIG 18

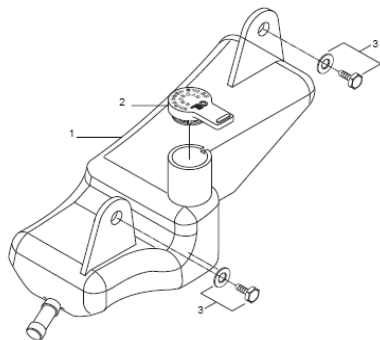


FIG 19. SEAT

REF. NO. ST01	DESCRIPTION	USAGE (PCS)
1	45100HK316058P SEAT,set	1
2	45119-02C00 PLATE,seat front hook	1
3	45118HK3100 PLATE,seat front hook No.1	1
4	02142-06126 SCREW,seat front hook plate(M6*12	4
5	45210HK3100 CLAMP COMP,seat	1
6	45135-243A2 SPRING,seat clamp	1
7	08332-11066 E-RING,seat clamp	2
8	09321-080A9 CUSHION,seat(ø60*ø20*T6.5)	1
9	09321-100B2 CUSHION,seat(ø22*T10)	4

FIG 19

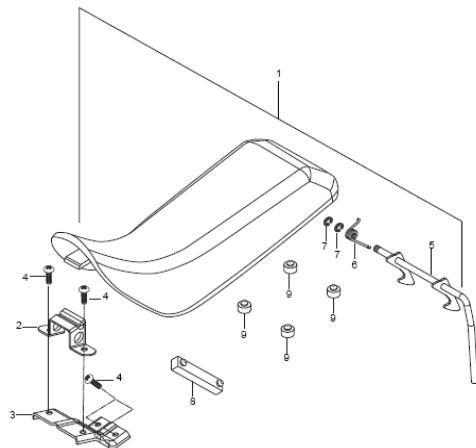
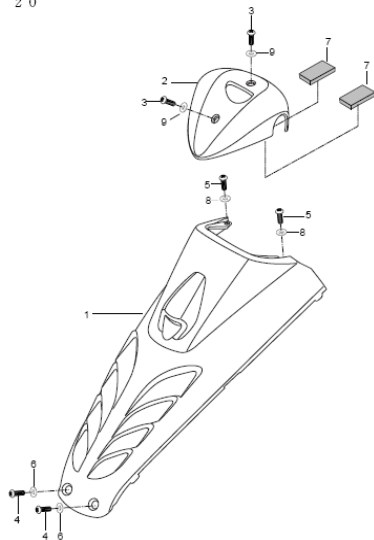


FIG 20. FENDER CENTER FRONT

REF. NO. ST01	DESCRIPTION	USAGE (PCS)
------------------	-------------	----------------

1	53118HK3101291	FENDER,center front(SLD,black)	1
4	02142-05226	SCREW,center front fender front(M5	2
5	02142-05166	SCREW,center front fender rear(M5 ^d	2
6	08322-21056	WASHER,center front fender front(ø	2
7	33652-01A10	CUSHION,steering head cover(40*21	2
8	09169-05007	WASHER,center front fender rear	2

FIG 20



FRONT

FIG 21. FENDER FRONT

REF.	DESCRIPTION	USAGE
NO. ST01		(PCS)

1	53111HK31013R3	FENDER,front	1
2	47211HK31003R3	COVER,side L	1
3	47111HK31003R3	COVER,side R	1
4	53119HK3101291	FENDER,center rear	1
5	02142-05166	SCREW,center front fender rear(M5 ⁴)	2
6	09169-05007	WASHER,center rear fender front	2
7	09148-05039	NUT,center rear fender front(M5)	2
8	02142-06166	SCREW,side cover rear(M6*16)	2
9	09169-06032	WASHER,side cover rear	2
10	02142-06166	SCREW,side cover lower FT(M6*16)	2
11	08322-21066	WASHER,side cover lower front(ø6.)	2
12	02142-05166	SCREW,side cover front upper(M5*1)	2
13	09169-05007	WASHER,side cover front upper	2
14	02112-06308	SCREW,front fender lower(M6*30)	2
15	09169-06032	WASHER,front fender lower	2
16	02142-06166	SCREW,front fender upper(M6*16)	3
17	09169-06032	WASHER,fender front upper	3
18	09148-05039	NUT,side cover center(M5)	2
19	09148-05039	NUT,front fender upper(M5)	4
20	02142-06206	SCREW,staring motor relay & FT fet	1

FIG 21

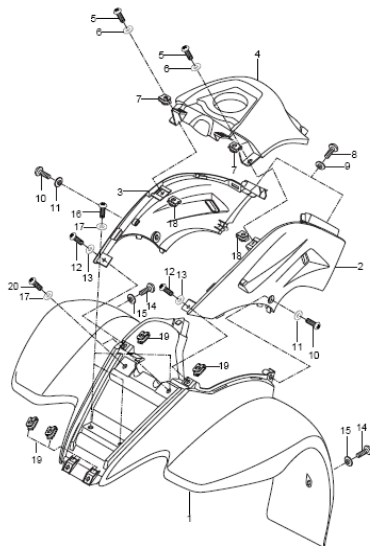


FIG 22. FENDEDR REAR

REF.	DESCRIPTION	USAGE
NO. ST01		(PCS)

1	63111HK310203R3	FENDER,rear	1
2	02142-06166	SCREW,rear fender(M6*16)	7
3	09169-06032	WASHER,rear fender	7
4	02142-06206	SCREW,starting motor relay & rear f	1
5	09148-06020	NUT,starting motor relay & rear fend	1
6	33652-01A10	CUSHION,rear fender & battery(ø6.5	2
7	09320-08028	CUSHION,rear fender front	2
8	96200HK3100	GAUGE,assy air pressure	1
9	09800HK3100	TOOL,assy	1
10	63118HL4100	HEAT SHIELD,rear fender	1

FIG 22

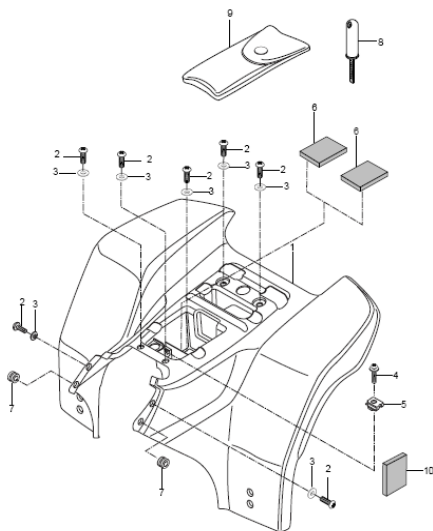


FIG 23. FOOTREST

REF. NO. ST01	DESCRIPTION	USAGE (PCS)
1	43521HL410126B FRONT FOOTREST L	1
2	43511HL410026B FRONT FOOTREST R	1
3	45210HL4101 GUARD,footrest RH	1
4	02142-06166 SCREW,footrest guard(M6*16)	2
5	09148-06020 NUT,footrest & RR fender(M6)	2
6	01517-06306 BOLT,front footrest(M6*30)	8
7	02142-06166 SCREW,footrest & RR fender(M6*1	2
8	09169-06032 WASHER,footrest & RR fender	2

FIG 23

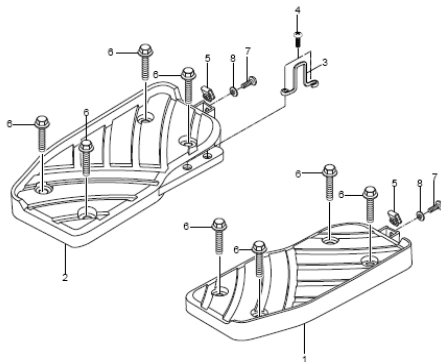


FIG 24. SHAFT COMP STTERING

REF. NO. ST01	DESCRIPTION	USAGE (PCS)
1	51650HK3102PAM SHAFT,comp steering	1
2	51670-18902KOR HOLDER,steering shaft	2
3	08319-31106 NUT,steering shaft(M10)	1
4	51680HK3101 REINF,steering holder	1
5	09103-08085KOR BOLT,steering shaft(M8*60)	2
7	01234-08556 BOLT,handle bar holder(M8*55)	4
8	04111-20206 COTTER PIN,steer`r shaft lower	1
9	04111-20206 COTTER PIN,steer`r shaft lower	2
10	56211-272A0 HOLDER,handle bar	4
11	51678-18900KOR DUST SEAT,steering shaft(32*22.2*	2
12	09380H30002 SNAP RING,dust seal	1
13	51662-18900KOR DUST SEAL,steering(35*24.6*13)	1
14	51661-40B00KOR BUSH,steering shaft lower	1
15	09280-14003 O-RING,steering shaft lower(25*10.t	1
16	09160-10068 WASHER,steering shaft low upper	1
17	08321-31106 WASHER,steering shaft low lower(ø	1

FIG 24

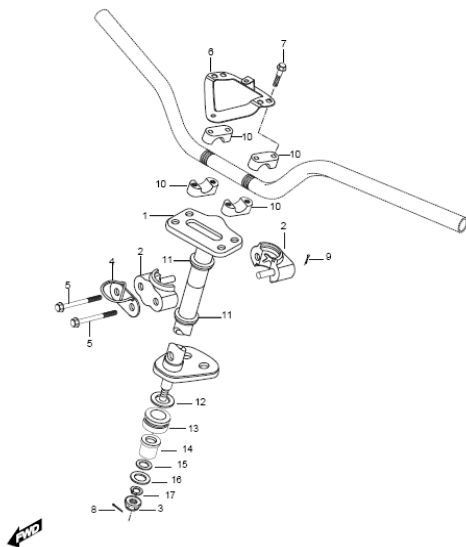


FIG 25. HANDLE BAR

REF.	DESCRIPTION	USAGE
NO. ST01		(PCS)
1	56111HK3103PAM HANDLE BAR	1
2	58110HK3102 CABLE,assy front brake	2
3	58300HL4100 CABLE,assy throttle	1
4	58510HL4100 CABLE,RR BK	1
5	09403-14404 CLANP,RR BK CABLE 2	1

FIG 25

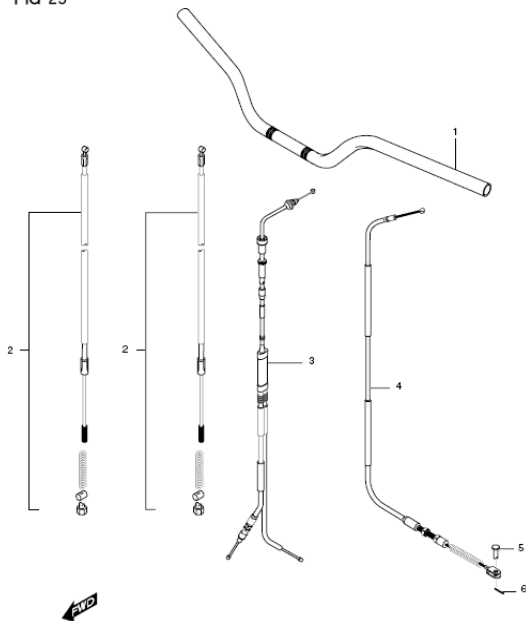


FIG 26. HANDLE SWITCH

REF. NO. ST01	DESCRIPTION	USAGE (PCS)
1	37400HK3100 SWITCH,assy handle LH	1
2	57311HK3100 GRIP,handle RH	1
3	57211HK3101 GRIP,handle LH	1
4	57100HK3104 LEVER,assy throttle & FT brake	1
5	57151HK3101 LEVER,throttle	1
6	57131HK3100 COVER,throttle case	1
7	57121HK3100 CASE,throttle lever	1
8	02112-05165 SCREW,throttle case cover(M5*16)	2
9	57158HK3100 ARM,throttle lever	1
10	08321-51055 WASHER,front brake lever pivot	1
11	57159HK3100 SPRING,throttle lever return	1
12	09128-06072 BOLT,throttle lever	1
13	09100-05001 BOLT,throttle adjuster	1
14	08310-11055 NUT,throttle case(M5)	1
15	02112-06205 SCREW,throttle case(M6*20)	1
16	57621HK3100 LEVER,comp front brake	1
17	57396HK3101 EQUILIZER	1
18	09180H06250 BUSH	1
19	09128-06027 BOLT,equalizer	1
20	57431HK3100 BOLT,FT brake lever pivot	1
21	08310-11055 NUT,FT brake lever pivot(M6)	1
22	57441-26010 ADJUSTER,brake cable	2
23	57442-26010 NUT,brake cable adjuster	2
24	57500HK3102 LEVER,assy rear brake	1
25	57421HK3100 LEVER,comp RR brake lever	1
26	57321HK3100 HOLDER,rear brake lever	1
27	02112-06205 SCREW,holder(M6*20)	1
28	57431HK3100 BOLT,RR brake lever pivot	1
29	08310-11055 NUT,RR brake lever pivot(M6)	1

FIG 26

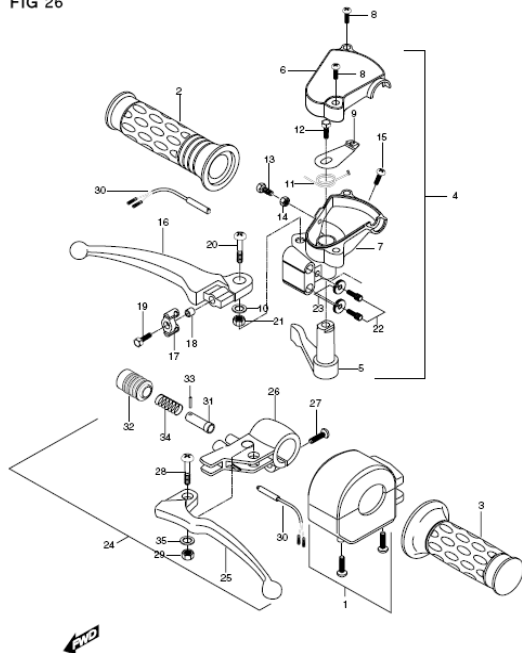


FIG 26. HANDLE SWITCH

REF.	DESCRIPTION	USAGE	
NO. ST01		(PCS)	
30	57460HK3100	SWITCH,assy RR brake	2
31	57781-04600	PIN,brake lever stop	1
32	57784-04600	COVER,RR brake cover stopper	1
33	57785-04600	PIN,brake cover	1
34	57783HK3100	SPRING,brake lever stopper pin	1
35	08321-21055	WASHER,rear brake lever pivot	1

FIG 26

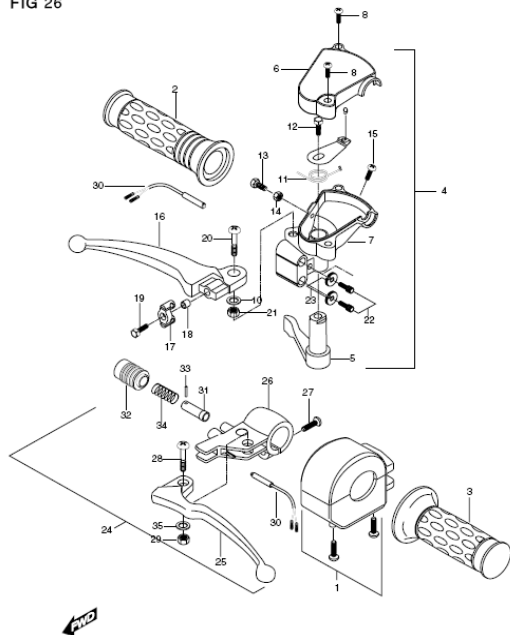
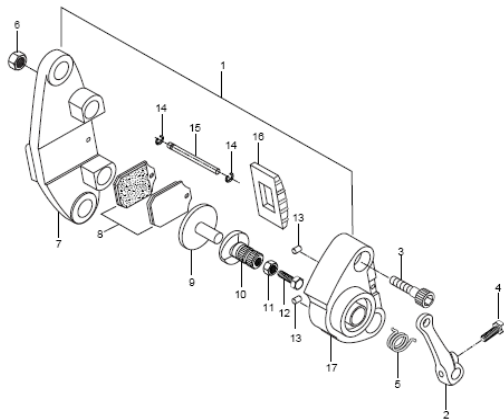


FIG 27. CALIPER

REF.	DESCRIPTION	USAGE
NO. ST01		(PCS)
1	69300HL4100 CALIPER,assy rear ~ KM4AE12A431100100	1
1~1	69300HK3104 CALIPER,assy rear KM4AE12A431100101 ~	1
2	64451HK3101 LEVER,rear brake caliper	1
3	57431H05D00 BOLT,caliper	2
4	01107-06208 BOLT,rear brake lever(M6*16)	1
5	09448H15002 SPRING,rr caliper lever return	1
6	08310-11005 NUT,caliper pad push adjuster(M5)	
7	59311-21000 HOUSING RH,caliper	
8	59300-21000 PAD,brake	1
9	59322-21000 PLATE,pad push	
10	59321-21000 CAM,brake	
11	08310-11055 NUT,adjuster(M5)	1
12	01107-05305 BOLT,adjust(M5*30)	1
13	09261-06930 ROLLER	
14	09383-25041 E-RING	
15	09209-21000 PIN,pad guide	
16	59340-21000 CAP	1
17	59312-21000 HOUSING LH,caliper	

FIG 27



FRONT

FIG 28. FRONT WHEEL

REF.	DESCRIPTION	USAGE
NO. ST01		(PCS)

1	55100HL4100	TIRE,set front	2
1-1	55300HL4100	TIRE + WHEEL SET R	1
1-2	55400HL4100	TIRE + WHEEL SET L	1
2	55100HL4100	TIRE,comp front(AT18*7-7)	2
3	55310HL4100	RIM COMP,front	2
4	08120-60027KOR	BEARING,front hub(15*32*9)	4
5	54725HK3101	CAP,wheel center	2
6	04111-30258	CONTER PIN,axle front	2
7	08314-40146	NUT,front axle(M14)	2
8	08322-11148	WASHER,front wheel	2
9	54841-04200	SEAL,front hub brg(32*20*3)	4
10	08319-31088	NUT,front wheel(M8)	6
11	54110HK3104	HUB,comp front wheel	2
12	54741-04200KOR	SPACER,front axle	2
13	54731-04200KOR	SPACER,front hub bearing	2
14	09119H08060	BOLT,hub(M8*17)	6

FIG 28

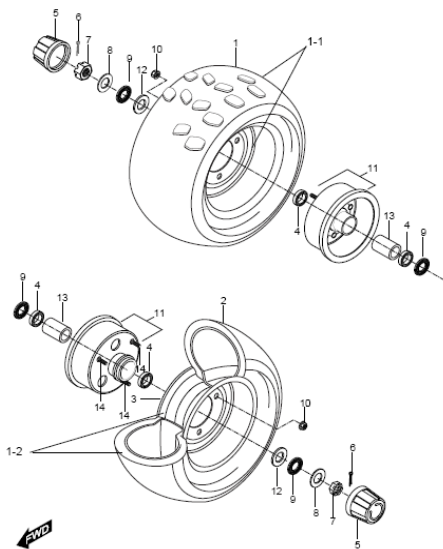
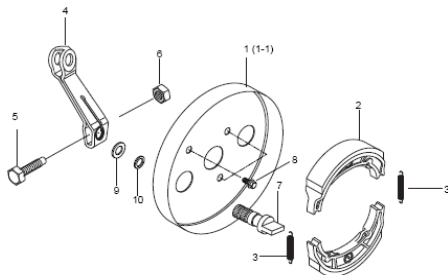


FIG 29. FRONT BRAKE

REF.	DESCRIPTION	USAGE
NO. ST01		(PCS)

1	54511HK3106	PLATE,front brake RH	1
1-1	54611HK3106	PLATE,front brake LH	1
2	64400HK3100	SHOE,comp front brake	4
3	09443H08025	SPRING,front brake shoe(L=32)	4
4	54451HK3102	LEVER,front brake cam	2
5	12812-30A00	BOLT,rear brake cam lever(M6*31)	2
6	08316-16068	NUT,rear brake cam lever(M6)	2
7	54441HK3103	CAM,front brake	2
8	09100-06158	BOLT,front brake plate(M6*8)	6
9	09160-12011	WASHER,front brake cam(ø20*ø12)	2
10	09280H14005	O-RING,front brake cam(ID:11.4*D:	2

FIG 29



PWD

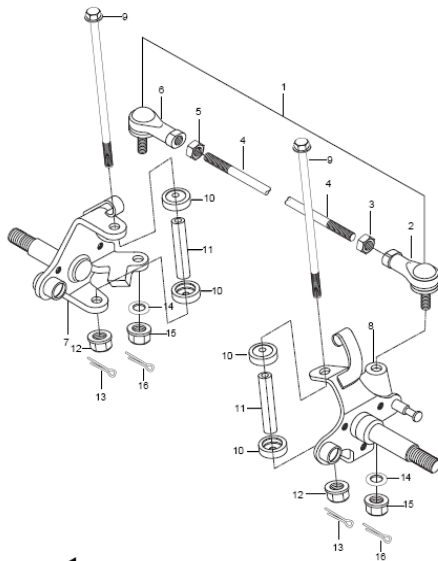
FIG 30. TIE ROD SET

REF.	DESCRIPTION	USAGE
------	-------------	-------

NO. ST01

1	51091HK3102	TIE ROD,set steering	2
2	51270HK3100	END,comp rod L	2
3	09140-10027	NUT,tie rod inner(M10)	2
4	51281HK3101	TIE ROD,steering(M10*162)	2
5	09140-10043	NUT,tie rod outer(M10)	2
6	51260HK3100	END,comp rod R	2
7	51230HK3110	KNUCKLE,comp steering R	1
8	51240HK3110	KNUCKLE,comp steering L	1
9	09103-10082KOR	BOLT,knuckle arm(M10*110)	2
10	51255-18900KOR	SEAL,knuckle arm dust	4
11	51251HK3100	SPACER,king pin	2
12	08319-31106	NUT,knuckle arm(M10)	2
13	04111-20206	COTTER PIN,knuckle arm bolt(L=20)	2
14	08321-31106	WASHER,rod end(ø18.8*ø10.2*T3.	2
15	08319-31106	NUT,rod end(M10)	2
16	04111-20206	COTTER PIN,rod end(L=20)	2

FIG 30



AWD

FIG 31. SUSPENSION ARM

REF.	DESCRIPTION	USAGE
NO. ST01		(PCS)

1	52410HL4101PAM	ARM,comp suspension R	1
2	52420HL4101PAM	ARM,comp suspension L	1
3	51236-40B00KOR	BUSH,king pin	4
4	52100HL4100	ABSORBER,assy front shock	2
5	61181-02C00	BOLT,front shock absorber assy(M10	4
6	08316-26106	NUT,front shock absorber assy(M10)	2
7	09103H12026	BOLT,suspension arm(M12*124)	2
8	09319H12005	BUSH,suspension arm	4
9	08319-31126	NUT,suspension arm(M12)	2

FIG 31

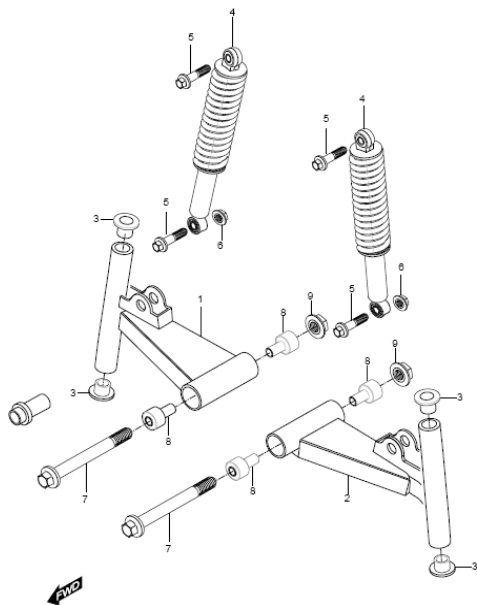


FIG 32. REAR HOUSING COMP

REF. NO. ST01	DESCRIPTION	USAGE (PCS)
------------------	-------------	----------------

1	64720HL4106PAM	HOUSING,comp RR axle brg	1
2	62100HL4102	ABSORBER,assy rear shock	2
2~1	62100HL4103	ABSORBER,assy rear shock	2
3	09262H32001	BEARING,rear axle(32*65*17)	2
4	64731HK3102	SPACER,rear axle bearing(L=65)	1
5	61181-02C00	BOLT,rear shock absorber(M10*40)	4
6	09103H10022	BOLT,rear axle housing & case(L=1	1
7	08319-31108	NUT,rear axle housing & case(M10)	1
8	07110-08256	BOLT,RR axle housing clamp bracke	1
9	07110-08168	BOLT,RR axle housing bracket & ca	1
10	07110-08358	BOLT,RR axle housing clamp bracke	1
11	62211HK3101	SPACER,RR S/ASS	1

FIG 32

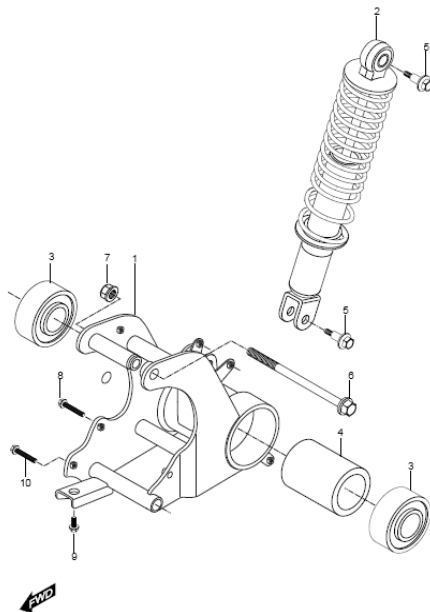


FIG 33. REAR WHEEL

REF. NO. ST01	DESCRIPTION	USAGE (PCS)	
1	55100HL4100	TIRE,set rear (AT18*7-7)	2
1-1	55300HL4100	TIRE + WHEEL SET R	1
1-2	55400HL4100	TIRE + WHEEL SET L	1
2	55100HL4100	TIRE,comp rear(AT18*7-7)	2
3	55310HL4100	RIM COMP,rear	2
4	64110HL4103	HUB,comp rear	2
5	54725HK3101	CAP,wheel center	2
6	04111-40308	COTTER PIN, rear hub	2
7	09141H16000	NUT,rear hub(M16)	2
8	64723-02400	WASHER,rear axle($\phi 16.5 \times \phi 30 \times T1.8$)	2
9	64726-04200	HOLDER,center cap	2
10	08319-31088	NUT,wheet set(M8)	12
11	64610HK3101HPA	FLANGE,comp sprocket mounting	1
12	09285H42001	DUST SEAL, rear axle brg($42 \times 65 \times T$)	2
13	69220HK3101HPA	FLANGE,comp rear disk	1
14	64511HK3101	SPROCKET,rear(28T)	1
15	09140-28003	NUT,rear axle(M28)	2
16	69211HK3100	DISK,rear	1
17	64711HK3102	AXLE,rear	1
18	08319-31088	NUT,rear disk(M8)	4
19	09160-08030	WASHER,rear disk($\phi 8.5 \times \phi 22 \times T3.2$)	4
20	08319-31088	NUT,rear sprocket(M8)	4
21	09180H35001	SPACER,rear axle R($34 \times 41 \times T6$)	1
22	27600HL4100	CHAIN,comp drive	1
	~ KM4AE12A341104320		
22~1	27600HP4300	CHAIN,comp drive	1
	KM4AE12A341104321 ~		
23	61311HL4100	CASE,chain	1
24	01517-06166	BOLT,chain case(M6*16)	3
25	09169-06032	WASHER,chain case	3
26	09119H08060	BOLT,hub(M8*17)	6

FIG 33

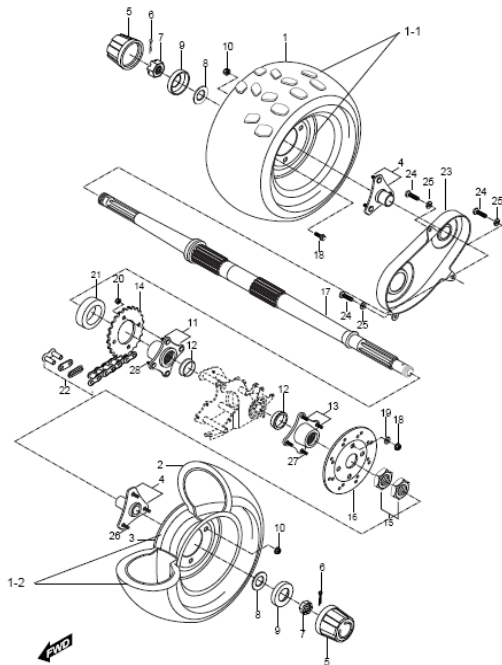


FIG 33. REAR WHEEL

REF.	DESCRIPTION	USAGE
NO. ST01		(PCS)
27	09119-08073KOR BOLT,rear disk flange	4
28	09119-08073KOR BOLT,rear sprocket flange	4

FIG 33

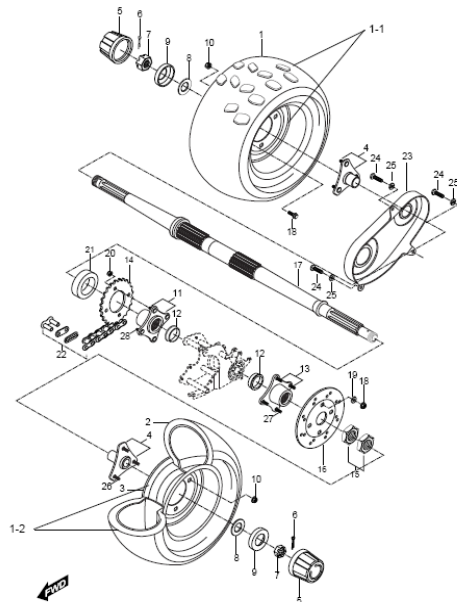


FIG 34. LABEL

REF. NO. ST01	DESCRIPTION	USAGE (PCS)	
1	68343HK3100	WARNING, parking brake	1
2	68320HK3100	LABEL, chain case	1
3	68931HL4150	LABEL, AGE(6/12)	1
4	68332HL4150	LABEL, tire air pressure	1
5	68367HK3100	LABEL, no passenger	1
6	68921HK3100	LABEL, general warning	1
7	68366HL4150	LABEL, warning	1

FIG 34

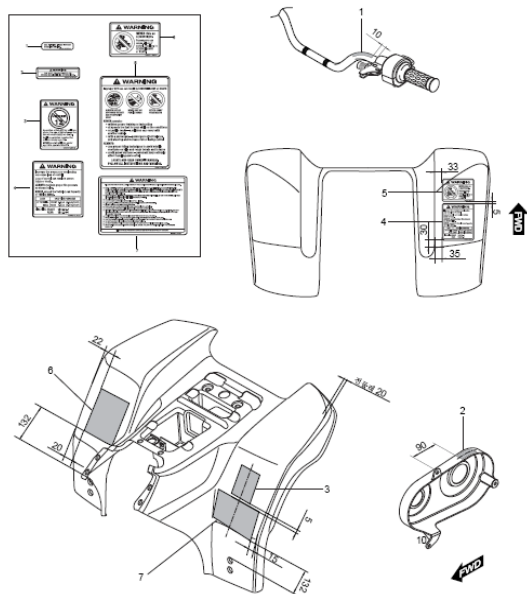


FIG 35. HEAD LAMP

REF.	DESCRIPTION	USAGE
------	-------------	-------

NO. ST01		(PCS)
----------	--	-------

1	35100HL2302	HEAD LAMP ASS'Y	1
2	09471H12104	BULB, head lamp (12v, 35W)	1

FIG 35

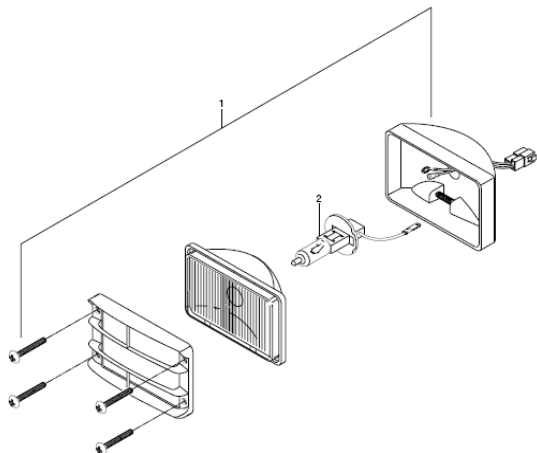


FIG 36. REAR COMBINATION

REF.	DESCRIPTION	USAGE
------	-------------	-------

NO. ST01	(PCS)
----------	-------

1	35710h12300	LAMP ASS'Y, tail	1
2	09471h12213	BULB, tail lamp (12V, 5W)	1

FIG 36

