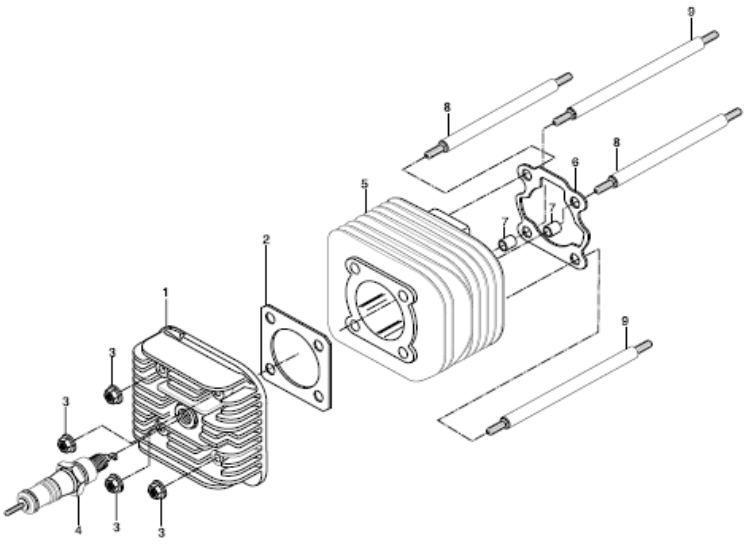


# FIG 1. CYLINDER

REF. PARTS NO.	DESCRIPTION	(PCS)
NO. RST01		
1 11111HE7101	CYLINDER COMP HEAD	1
2 11141-04C00	GASKET,cylinder head	1
3 08316-16088	NUT,cylinder head(M8)	4
4 09482-00255	PLUG,spark(W22FPR)	1
5 11210HE7100PCY	CYLINDER COMP	1
6 11241HE7102	GASKET,cylinder	1
7 04213-11129	PIN,cylinder knock	2
8 09108-08056	STUD BOLT,cylinder	2
9 09108-08216	STUD BOLT,cylinder	2

FIG 1



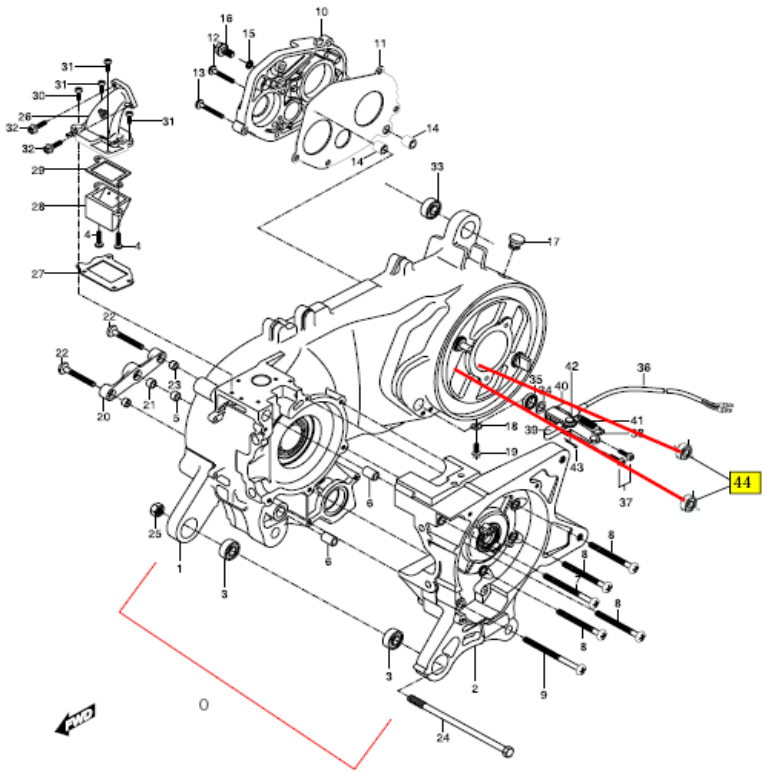
# FIG 2. CRANK CASE

REF. PARTS NO. DESCRIPTION

NO. RST01 (PCS)

0	11300HP4300HPA	CASE SET,crank	1
1	11311HP4301HPA	CASE,crank RH	1
2	11321SE7100HPA	CASE,crank LH	1
3	09319-12036	BUSH,engine mounting	2
4	09138-04003	SCREW,rear valve ass'y	2
5	09300-08016	BUSH,starter idle shaft	
6	04213-11169	PIN,clutch cover	2
7	02112-06758	SCREW,crank case(M6*75)	1
8	02112-06508	SCREW,crank case(M6*50)	4
9	02112-06858	SCREW,crank case(M6*85)	1
10	11431HP4303PCR	COVER,gear box	1
11	11484HP4302	GASKET,gear box cover	1
12	01547-06258	SCREW,gear box cover(M6*24)	5
13	01547-06308	SCREW,gear box cover(M6*30)	1
14	04213-11169	PIN,clutch cover	2
15	09168-08008	GASKET,oil level(NA)	1
16	01514-08128	BOLT,oil level	1
17	09250H11005	PLUG,oil filler	1
18	09168H10003	GASKET,oil drain bolt	1
19	09247-100A8	PLUG,oil drain	1
20	11382-37B01	CAP,starter idle gear	1
21	09300-08016	BUSH,starter idle shaft	
22	02112-06308	SCREW,starter idle gear cap(M6*75)	2
23	04213-09109	PIN,starter idle gear cap	2
24	09100-12028	BOLT,engine mounting(M12*12)	1
25	08319-31126	NUT,engine mounting(M12)	1

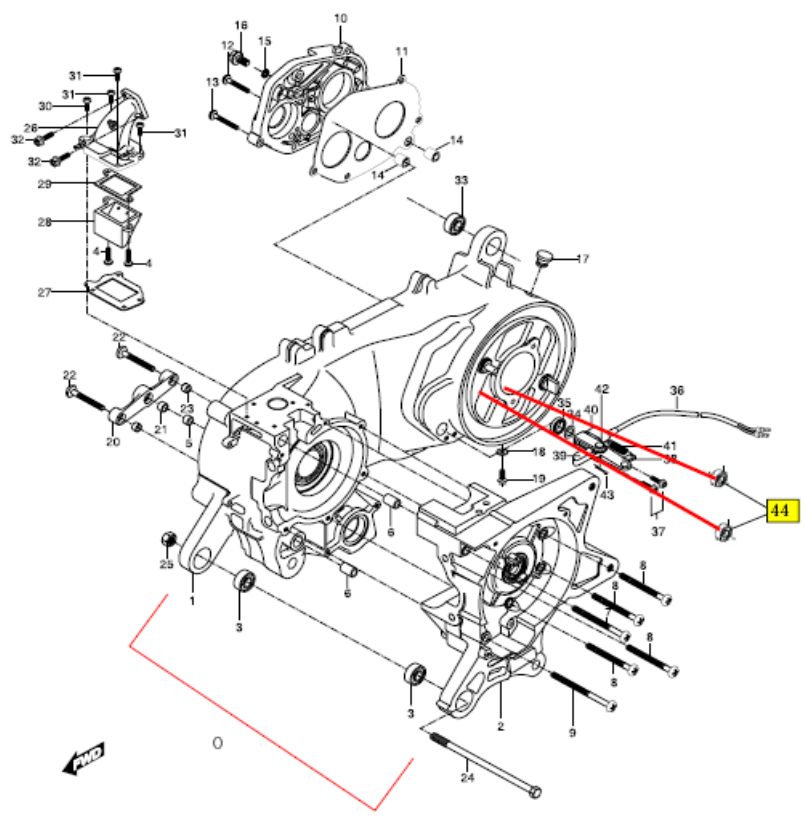
FIG 2



# FIG 2. CRANK CASE

REF. PARTS NO.	DESCRIPTION	(PCS)
NO. RST01		
26	13110HL4100 PIPE COMP,intake	1
27	13125HE7101 GASKET,intake pipe	1
28	13150HE7100 VALVE ASS'Y, reed	1
29	13126HE7102 GASKET,reed valve	1
30	02112-36256 SCREW,intake pipe front L(Mt	1
31	02112-36206 SCREW,intake pipe(M6*20)	3
32	09128-06026 SCREW,carburetor	2
33	09319H10055 BUSH	1
34	08322-21108 WASHER, gear shift return	1
35	09282-10007 SEAL, gear shift shaft oil	1
36	37600HP4301 SWITCH ASS'y, reverse	1
37	09106-06030 BOLT, gear shift arm bracket	2
38	25512HP4301 ARM, gear shift shaft No1	1
39	25513HP4301 ARM, gear shift shaft No2	1
40	25514HP4301 BRACKET, gear shift arm	1
41	09443H09006 SPRING, gearshift arm	1
42	09200-06030 PIN, gear shift arm blacket	1
43	04111-20158 COTTER PIN, gear shift arm blacl	1
44	08113-62010 Bearing 6201C3	2

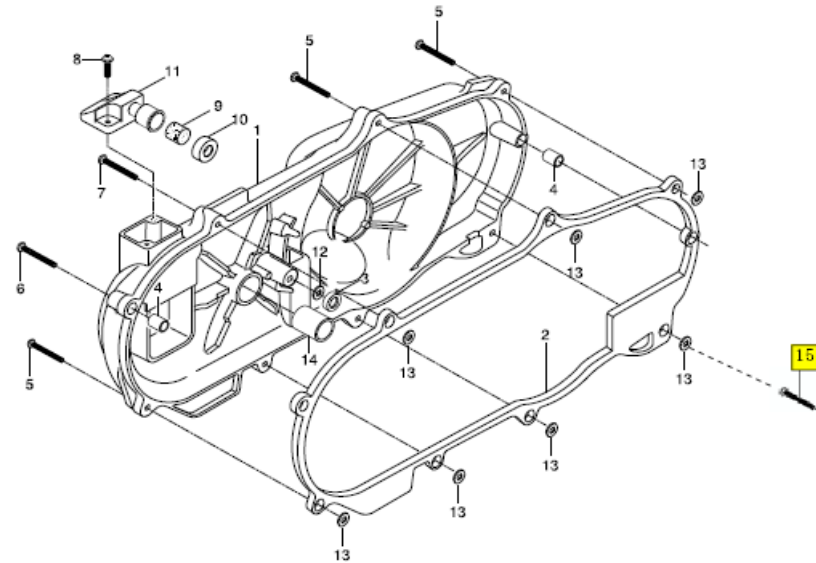
FIG 2



# FIG 3. CLUTCH COVER

REF. PARTS NO.	DESCRIPTION	(PCS)
NO. RST01		
1	11341HP4300999 COVER,clutch	1
2	11480HE7102 GASKET COMP,clutch cover	1
3	11490HE7102 GASKET COMP,crank case R	1
4	04213-11169 PIN,clutch cover	2
5	02112-06255 SCREW,clutch cover(M6*25)	6
6	02112-06455 SCREW,clutch cover(M6*45)	1
7	02112-06605 SCREW,clutch cover(M6*60)	1
8	02142-06125 SCREW,crankcase cleaner(M6	2
9	17213HE7110 FILTER,crankcase cleaner case	1
10	17212HE7110 CAP,crankcase cleaner case	1
11	17200HL4100 CASE,crankcase cleaner	1
12	09180H12001 SPACER,clutch cover gasket No.2	
13	09180H07001 SPACER,clutch cover gasket No.1	
14	09300H14003 BUSH, kick start	1
15	02112-06505 SCREW,clutch cover(M6*50)	1

FIG 3



FWD

# FIG 4. CRANK SHAFT

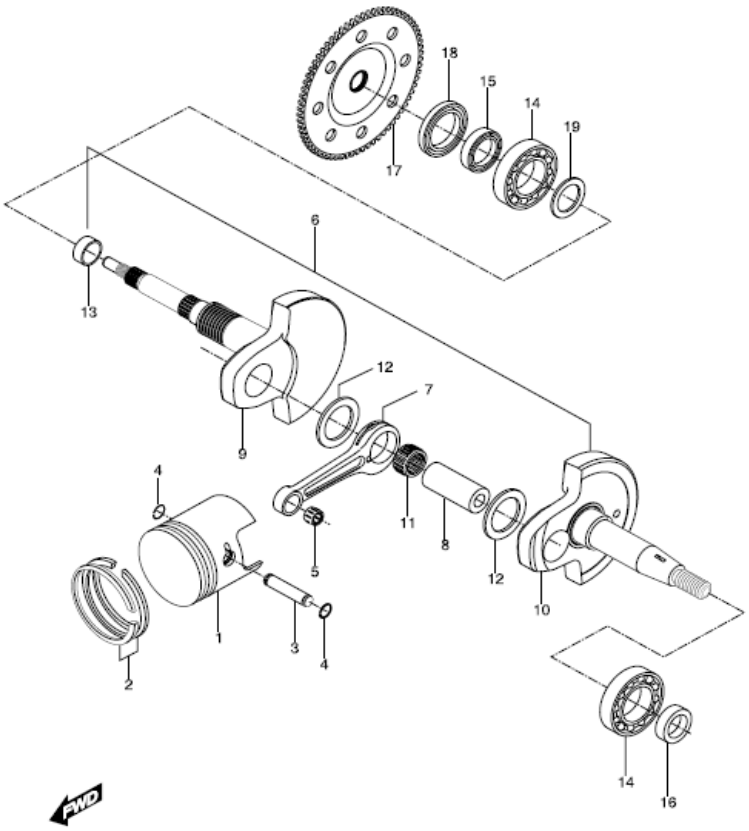
REF. PARTS NO.            DESCRIPTION

NO. RST01

(PCS)

1	12111-41D00PSA	PISTON,comp	1
2	12141-35510	RING,piston	2
3	12151-35500	PIN,piston	1
4	09381-12001	CIRCLIP	2
5	09263H12004	BEARING,piston pin	1
6	12200HP4300HPA	CRANKSHAFT,assy	1
7	12161HE7100	CONNROD	1
8	12211HE7100	PIN,crank	1
9	12221HP4302CSA	CRANKSHAFT,R	1
10	12261HE7100CSA	CRANKSHAFT,L	1
11	09263H20002	BEARING,crank pin	1
12	09160-20010	THRUST WASHER	2
13	09180-18011	SPACER	1
14	09262H250A2	BEARING,crankshaft	2
15	09283-25083	OIL SEAL,crankshaft R	1
16	09283-17017	OIL SEAL,crankshaft L	1
17	12622HE7101	GEAR,starter	1
18	09284-24001	OIL SEAL	1
19	09181-25057	SHIM,crankshaft R	1

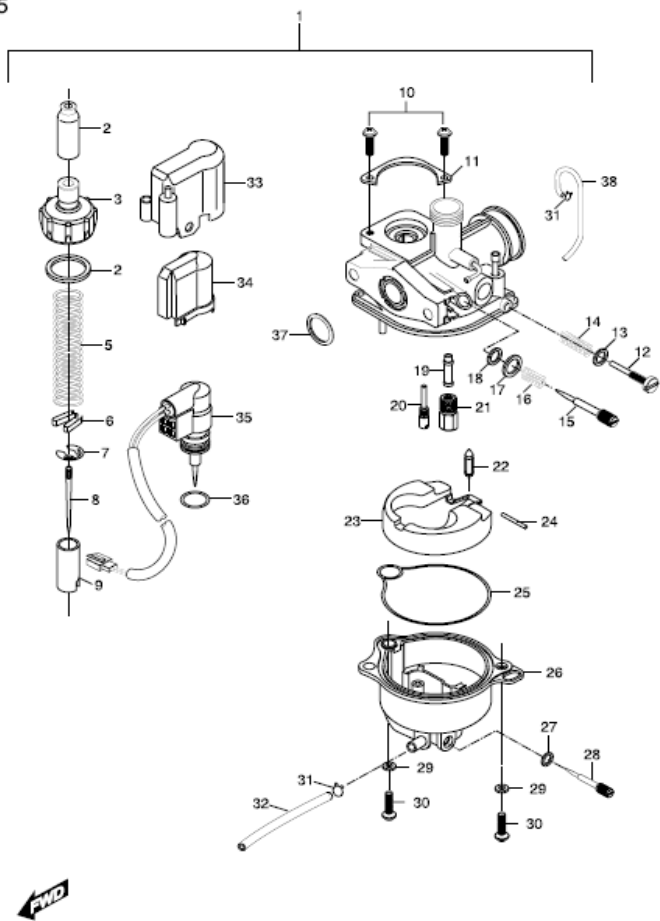
FIG 4



# FIG 5. CARBURETOR

REF. PARTS NO.	DESCRIPTION	PCS
NO. RST01		
1	13200HN4700 CARBURETOR ASS'Y	1
2	13681HE7100 CAP,carburetor top	1
3	13261HE7100 COVER,top	1
4	13249HE7100 GASKET,top cover	1
5	13573HE7100 SPRING,throttle valve	1
6	13581HE7100 CLIP	1
7	13533HE7100 E-RING,throttle valve	1
8	13383HE7100 NEEDLE,jet	1
9	13551HE7100 VALVE,throttle	1
10	13601HE7100 SCREW	2
11	13610HE7100 RETAINER	1
12	13267HE7100 SCREW,throttle stop	1
13	13266HE7100 WASHER	1
14	13265HE7100 SPRING	1
15	13269HE7100 SCREW,pilot air	1
16	13268HE7100 SPRING	1
17	13606HE7100 WASHER	1
18	13295HE7100 O-RING	1
19	09494HE7100 JET,needle	1
20	09492HE7100 JET,pilot	1
21	09491HE7100 JET,main	1
22	13370HE7100 VALVE,needle	1
23	13250HE7100 FLOAT	1
24	13254HE7100 PIN,float	1
25	13258HE7100 GASKET	1
26	13245HE7100 BODY,float	1
27	13278HE7100 O-RING,drain screw	1
28	13247HE7100 SCREW,drain	1

FIG 5



# FIG 5. CARBURETOR

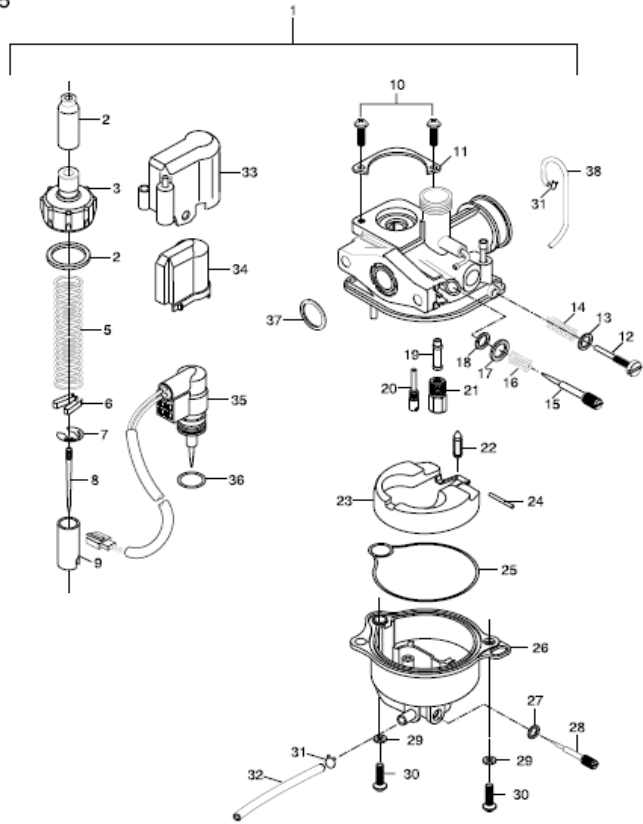
REF. PARTS NO.            DESCRIPTION

NO. RST01

(PCS)

29	08321HE7100	WASHER	2
30	02112-04148	SCREW(M4*14)	2
31	09401-08401	CLIP	2
32	13683HE7100	HOSE	1
33	13630HE7100	CAP,holder outer	1
34	13640HE7100	CAP,holder inner	1
35	13430HE7100	ELEMENT ASSY,thermo	1
36	13650HE7100	O-RING,element	1
37	13277HE7100	O-RING	1
38	13684HE7100	HOSE,air vent	1

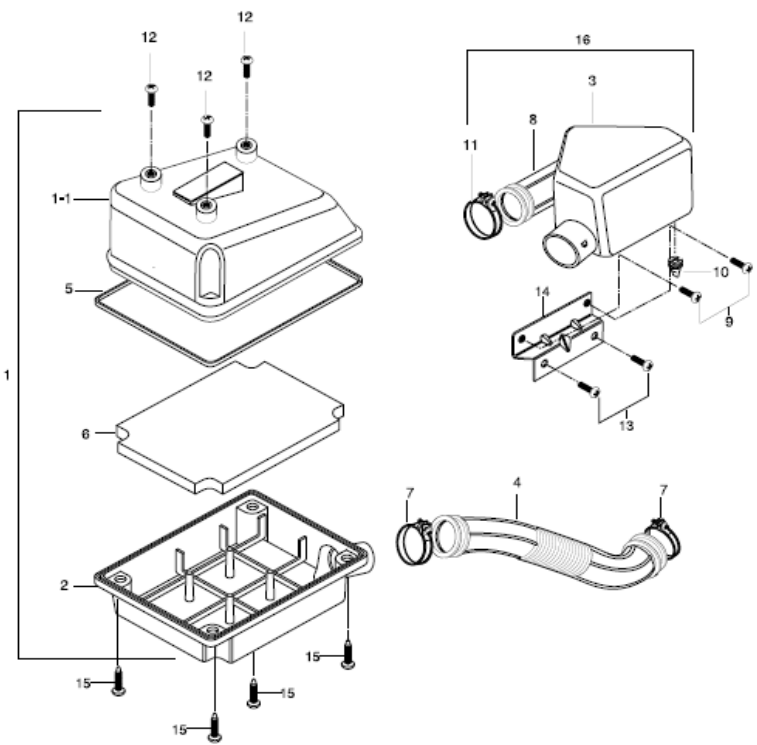
FIG 5



# FIG 6. AIR CLEANER

REF. PARTS NO.	DESCRIPTION	(PCS)	
1	13700HK3104	CLEANER,assy air	1
1-1	13721HK3103	CASE,air cleaner	1
2	13740HK3101	CAP,air cleaner	1
3	13821HK3102	CHAMBER,air cleaner	1
4	13831HK3101	TUBE, connecting	1
5	13736HK3100	GASKET,air cleaner	1
6	13781HK3100	FILTER,air cleaner	1
7	09402-36207	CLAMP, tube connecting	2
8	13881HK3100	TUBE, outlet	1
9	02112-06168	SCREW,air cleaner chamber(N	2
10	13861HE7100	TUBE, drain	1
11	09402-34207	CLAMP, outlet tube	1
12	02112-16166	SCREW,air cleaner(M6*16)	3
13	02142-05128	SCREW(M5*12)	2
14	13830HL4100	BRACKET,air cleaner chamber	1
15	03142-05169	SCREW(M5*16)	4
16	13820HL4100	CHAMBER,assy air cleaner	1

FIG 6



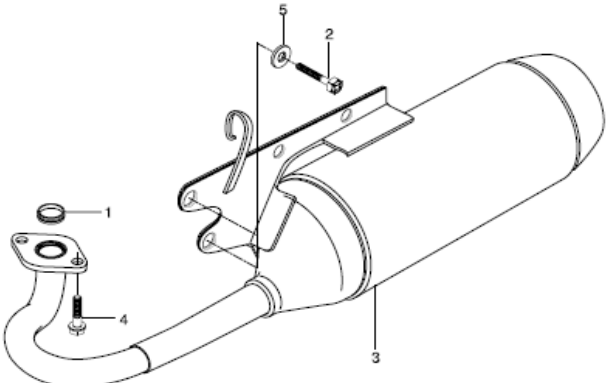


# FIG 7. MUFFLER

REF. PARTS NO.            DESCRIPTION

NO.	RST01		(PCS)
1	14181-41D00	GASKET,exhaust pipe(NA)	1
2	01177-08268	BOLT,muffler support bracket(	2
3	14310HP4301PAM	BODY COMP,muffler	1
3~A	14310HP4302PAM	BODY COMP,muffler	1
4	09128-08001	BOLT,exhaust pipe	2
5	08321-31088	SPRING WASHER,exhaust	2

FIG 7



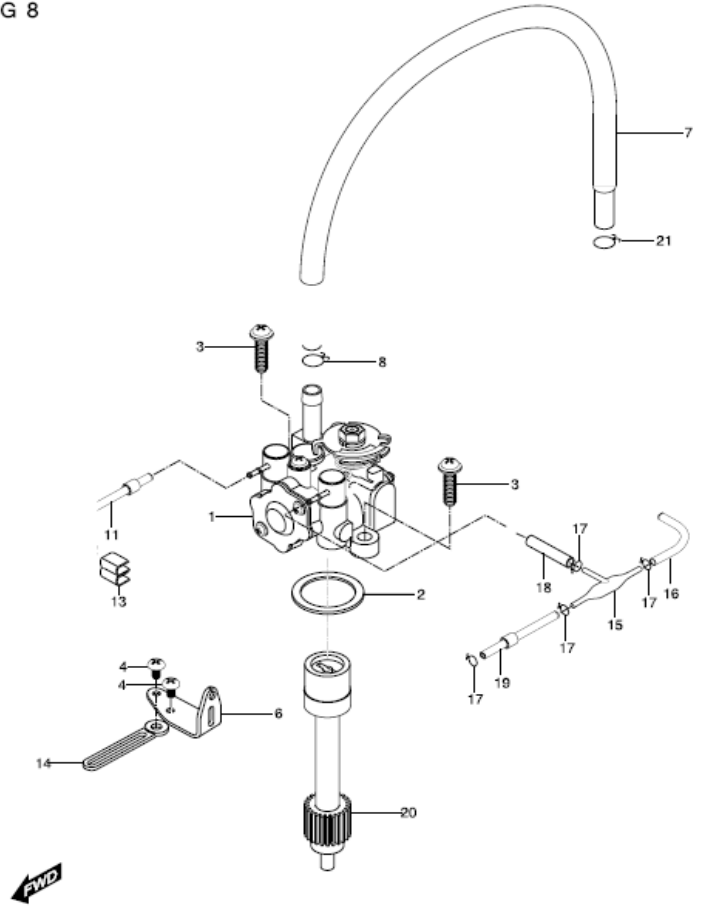
# FIG 8. OIL PUMP

**REF. PARTS NO. DESCRIPTION**

**NO. RST01 (PCS)**

1	16000-41D06	PUMP,assy oil	1
2	09280H20002	O-RING,oil pump	1
3	02112-35168	SCREW,oil pump(M5*16)	2
4	02112-06128	SCREW,oil pump cable bracke	2
6	16631HE7101	BRACKET,oil pump cable adjt	1
7	16821HK3100	HOSE,oil No.1	1
8	09401-10401	CLIP	2
11	16831H11200	HOSE,oil No.2(L=170)	1
13	09408-00066	CLAMP,oil hose No.2	1
14	09404-06401	CLAMP	1
15	09367-03001	JOINT, oil hose No2	1
16	09352-20503080	HOSE,oil(L=80)	1
17	09401-04401	CLIP,oil hose No.2	4
18	09352-20503025	HOSE,oil(L=25)	1
19	16831HE7102200	HOSE,oil No.2(L=200)	1
20	16331-37B00	GEAR,oil pump driven	1
21	09401-10401	CLIP,oil hose No.1	1

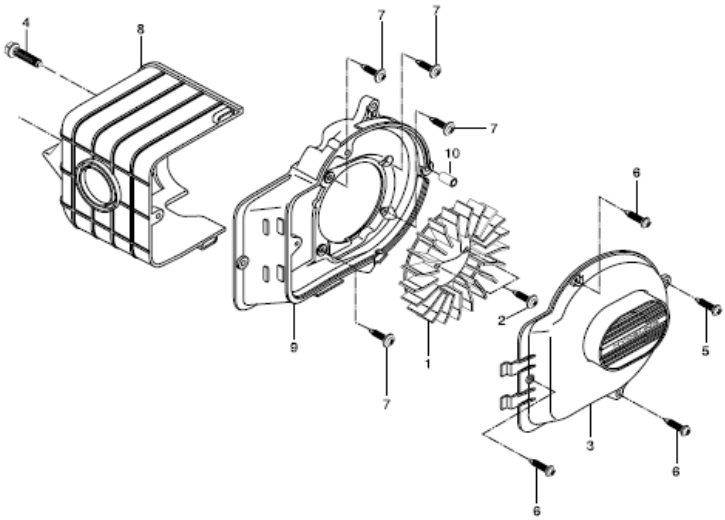
FIG 8



# FIG 9. COOLING FAN

REF. PARTS NO.	DESCRIPTION	(PCS)
NO. RST01		
1	17110-04C00 FAN COMP,cowling	1
2	02152-06128 SCREW,cooling fan(M6*12)	2
3	17131HE7100 COWLING,fan	1
4	02112-96168 SCREW,cylinder cowling(M6*	1
5	03141-06305 SCREW,cowling fan(M6*30)	1
6	03151-06208 SCREW,cowling fan(M6*20)	3
7	02112-06168 SCREW,fan case(M6*16)	4
8	17120HE7104 COWLING COMP,cylinder	1
9	17140HL4100 CASE COMP,fan	1
10	17146HF1601 SPACER,fan case	1

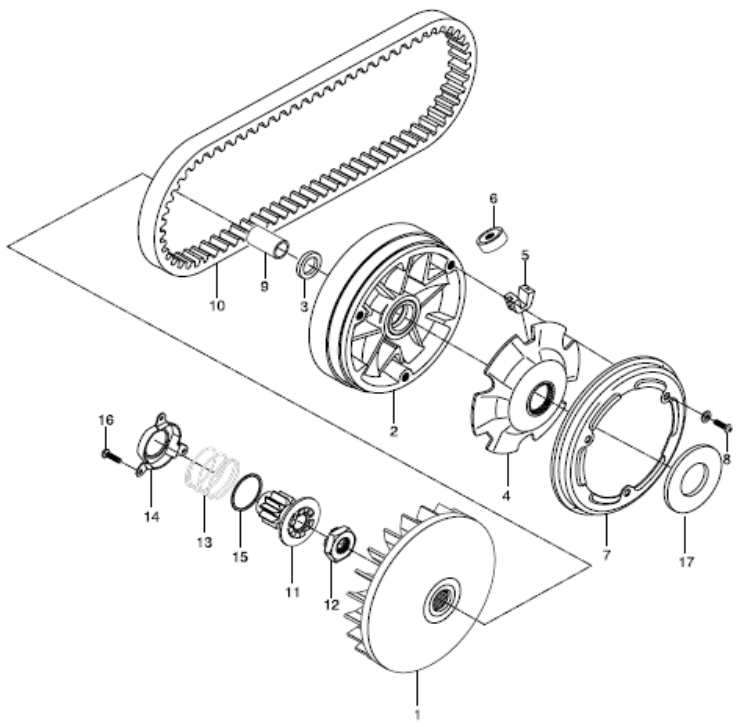
FIG 9



# FIG 10. TRANSMISSION(1)

REF. PARTS NO.	DESCRIPTION	(PCS)	
NO. DOMESTIC			
1	21110HE7102	FACE, fixed drive	1
2	21120HP5301	FACE, movable drive	1
3	09284-22003	OIL SEAL, movable drive	
4	21431HE7100	PLATE, movable drive	1
5	21481HE7100	DAMPER, movable drive	6
6	21650HF4500HPA	ROLLER COMP, movable drive	6
7	21122-37B01	COVER, movable drive	1
8	02142-04088	SCREW, movable drive (M4*8)	1
9	09180H16023	SPACER, movable drive	1
10	27601HE7100	V-BELT, drive	1
11	26280HP4300	GEAR, kick starter	1
12	26282HE7100	NUT, kick starter driven gear	1
13	09440-33003	SPRING, kick driven gear	1
14	26283-41D02	HOLDER, k/st drvn gear spring	1
15	26284-41D00	W/S, k/st drvn gear spring	1
16	02112-74108	SCREW	3
17	09160-18009	SPACER, movable drive plate	1

FIG 10



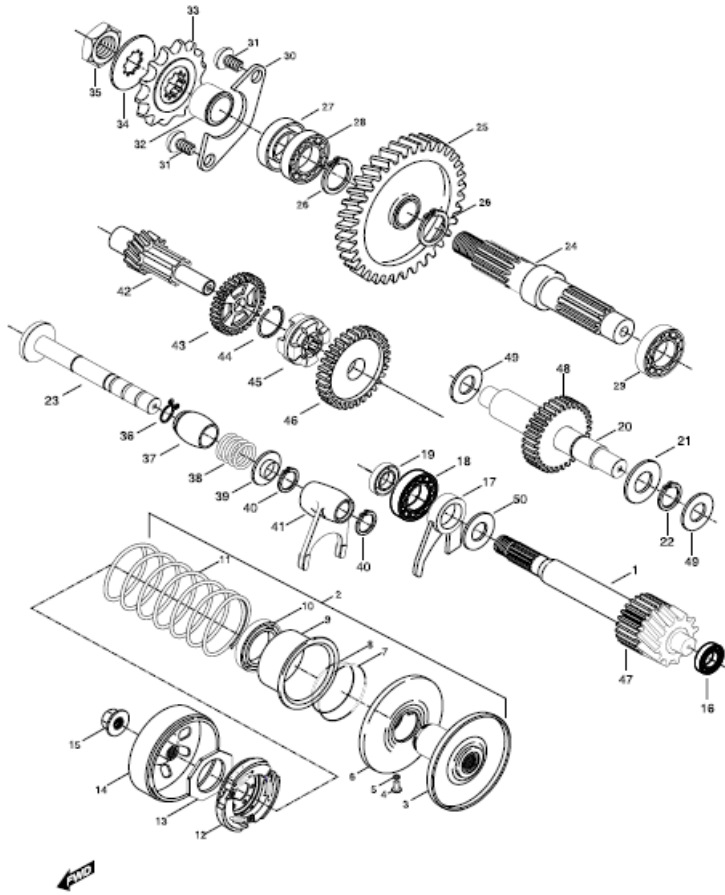
# FIG 11. TRANSMISSION(2)

REF. PARTS NO. DESCRIPTION

NO. RST01 (PCS)

1	24131HP4301	SHAFT,drive(14T)	1
2	21091HE7101	PULLEY ASS'Y,driven	1
3	21210HE7101	FACE,fixed driven	1
4	09201H05002	PIN,movable driven	3
5	09180H05002	SPACER	3
6	21240HE7101	FACE,movable driven	1
7	09280H38002	O-RING	1
8	09280H36002	O-RING	1
9	21471HE7100	SHEET,movable driven	1
10	09284H34001	OIL SEAL	2
11	09440H54002	SPRING, driven face	1
12	21501HL4100	CLUTCH ASS'Y,,shoe(NA)	1
13	09140H28004	NUT(M28)	1
14	21220HE7102	HOUSING COMP,clutch	1
15	08316-26108	NUT,cluch housing(M10)	1
16	09263H16002	BEARING, idle shaft L	1
17	25520HP4303	PLATE COMP, gear shift lock	1
18	09262H17001	BEARING, idle shaft R	1
19	09283H17003	OIL SEAL, drv shaft	1
20	24551HP4301	SHAFT, reverse idle	1
21	08211-10181	WASHER, reverse idle gear	1
22	08331-31109	CIRCLIP, reverse idle gear	1
23	25511HP4303	SHAFT, gear shift	1
24	24141HP4301	SHAFT,rear axle	1
25	24371HP4302	GEAR,final driven	1

FIG 11



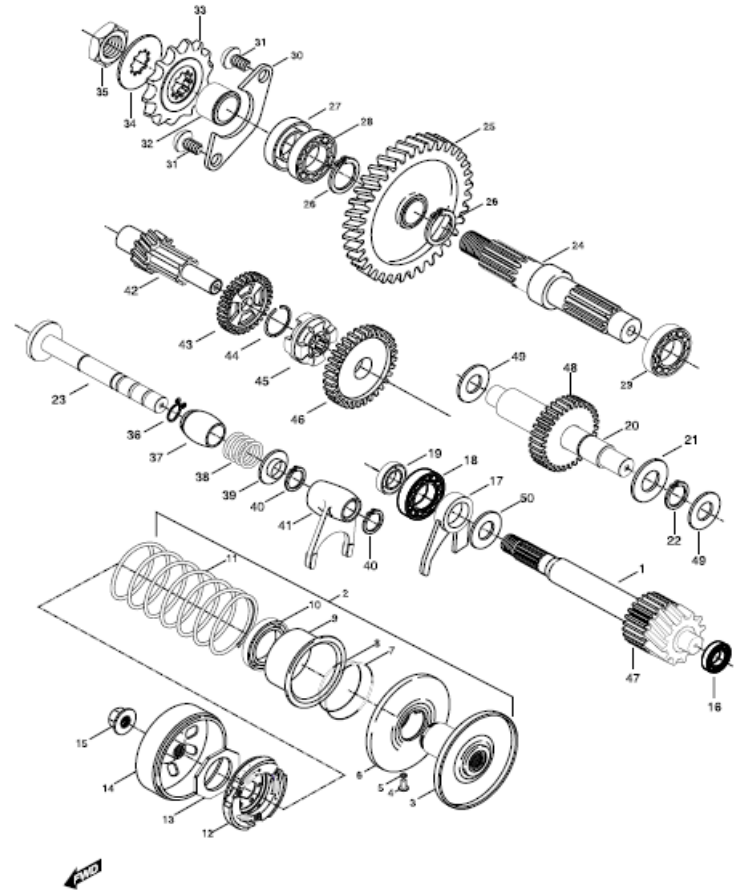
# FIG 11. TRANSMISSION(2)

REF. PARTS NO. DESCRIPTION

NO. RST01 (PCS)

26	08331-31229	CIRCLIP,final driven gear	2
27	09283-27010	O-SEAL, axle shaft L	1
28	08130-62047	BEARING,axle shaft L	1
29	08110-62030	BEARING,axle shaft R	1
30	24751H07900	RETAINER,axle bearing	1
31	02122-06168	SCREW,bearing fetainer(M6*1	2
32	27531HL4100	SPACER,rear axle shaft	1
33	27511HP4300	SPROCKET,engine(17T)	1
34	09167-20006	WASHER,engine sprocket kno	1
35	09140-16017	NUT,engine sprocket	1
36	09401H16402	CIRCLIP	1
37	09289H16001	DUST SEAL	1
38	09440H13002	SPRING, gear shift return	1
39	09169H10001	WASHER, dust seal	1
40	08331-31109	CIRCLIP	2
41	25211HP4300	FORK, gear shift	1
42	24151HP4302	SHAFT, idle	1
43	24571HP4302888	GEAR, reverse driven	1
44	09380-17007	CIRCLIP, reverse driven gear	1
45	24581HP4301	WHEEL, sliding dog	1
46	24381HP4300	GEAR, idle driven	1
47	24132HP4302	GEAR, reverse drive	1
48	24561HP4301	GEAR, reverse idle	1
49	08211-08141	WASHER, reverse idle shaft	1
50	08211-17261	WASHER, 1st drn gear thrust	1

FIG 11

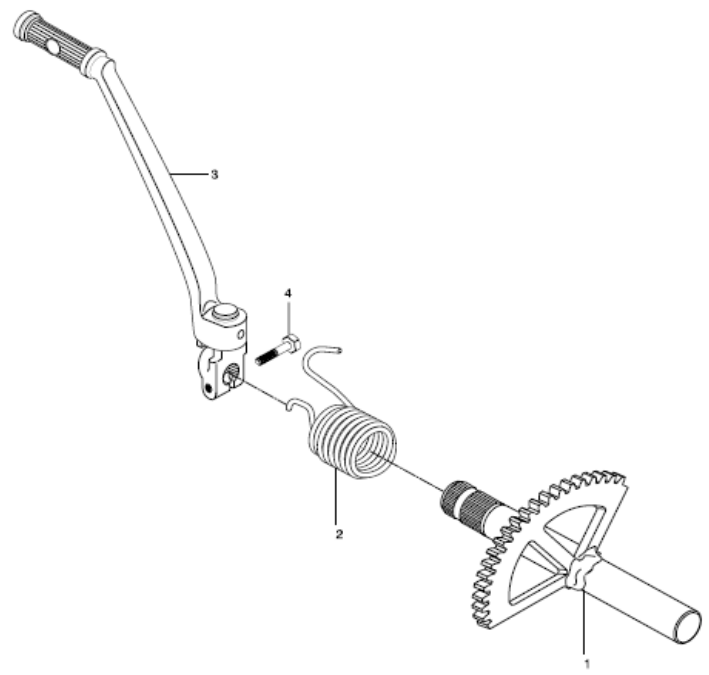


# FIG 11-1. KICK STARTER

REF. PARTS NO.            DESCRIPTION

NO.	RST01		(PCS)
1	26210HP4300	SHAFT, kick starter	1
2	09448H30016	SPRING, kick starter shaft	1
3	26300HP4300	LEVER ASS'y, kick starter	1
4	01107-06208	BOLT, kick starter lever	1

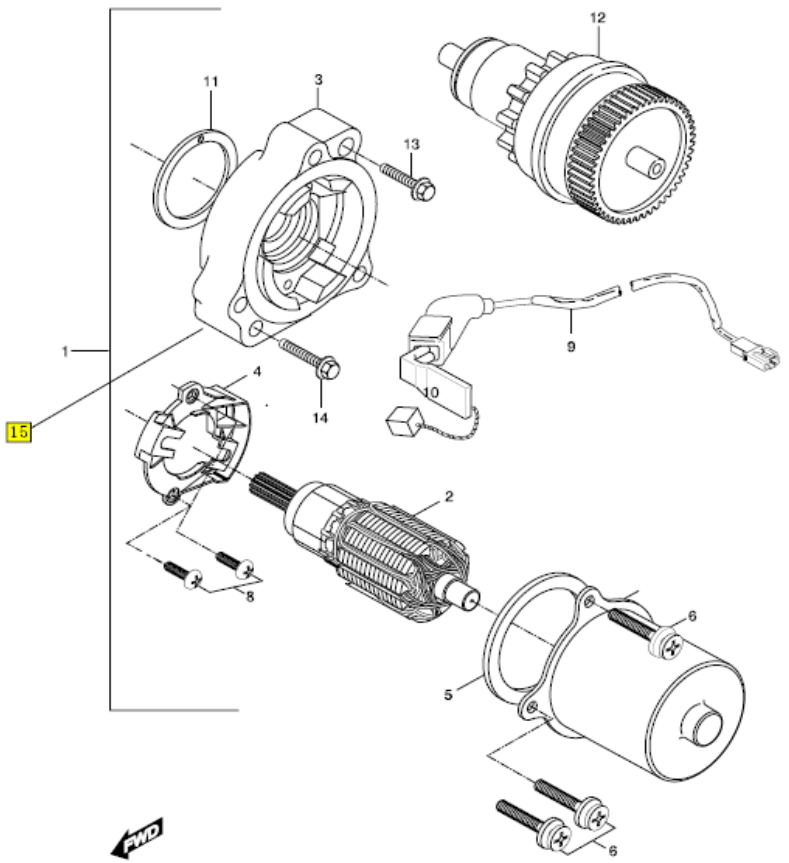
FIG 11-1



# FIG 12. STARTING MOTOR

REF. PARTS NO.	DESCRIPTION	(PCS)
NO. RST01		
1	31100HE7100 MOTOR ASS'Y,starting	1
2	31311-04C01 AMATEUR	1
3	31175-04C00 FRAME	1
4	31130-04C00 BURSH SET	1
5	31157-02540 GASKET	1
6	02112-35166 SCREW(M5*16)	3
7	31135-05B00 SPRING,brush	2
8	02112-06308 SCREW(M6*30)	2
9	31142-41A00 WIRE,lead	1
10	31120-04C00 COVER,starting motor	1
11	31156-05B00 O-RING	1
12	31370HE7100 PINION ASS'Y,starting motor	1
13	02112-36308 SCREW,starting motor	1
14	02112-36358 SCREW,starting motor	1
15	09404-06401 CLAMP	1

FIG 12



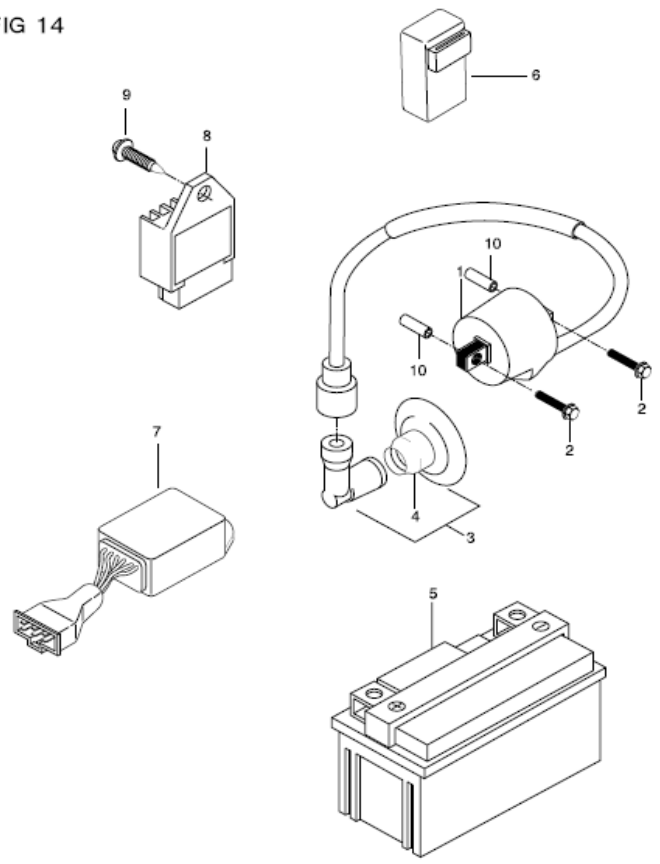




# FIG 14. ELECTRICAL

REF. PARTS NO.	DESCRIPTION	(PCS)
NO. RST01		
1	33410HK3101 COIL ASS'Y, ignition	1
2	01517-06308 BOLT,ignition coil(M6*30)	2
3	33510H11200 CAP,spark plug	1
4	33543H11200 BOOT,spark plug, cap	1
5	33610-40B12 BATTERY ASS'Y,(STX5L-BS	1
6	31800-41D00 RELAY,starting motor	1
7	32900H41D10 CDI,unit	1
8	32800-36C20 RECTIFIER,assy	1
9	02112-06168 SCREW,(M6*16)	1
10	09180-06030 SPACER,ignition coil	2

FIG 14

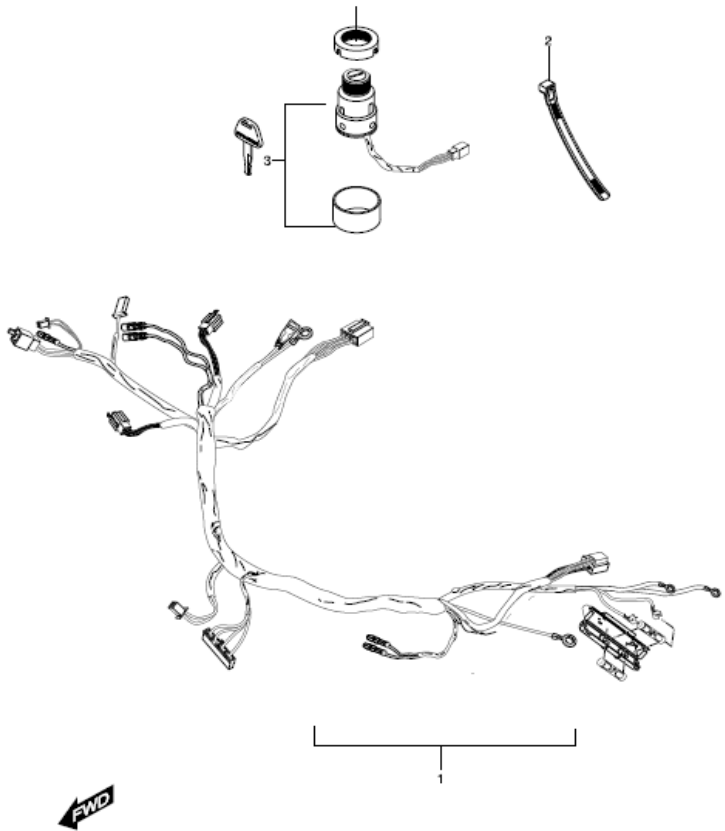


# FIG 15. WIRING HARNESS

REF. PARTS NO.	DESCRIPTION	(PCS)
NO. RST01		

1	36610HP4300	WIRING HARNESS	1
2	09407-14403	CLAMP,wiring harness	8
3	37110-25319	SWITCH ASS'Y, steering	1
4	37115H05300	BRACKET, ignition switch	1

FIG 15





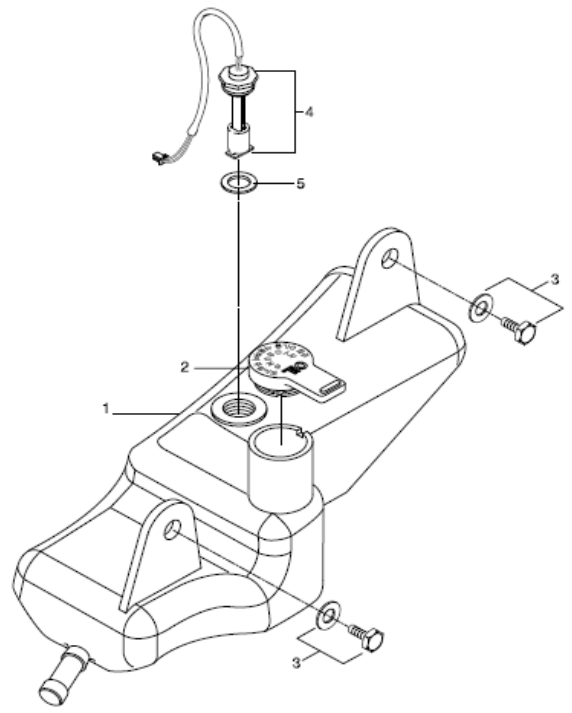


# FIG 18. OIL TANK

REF. PARTS NO.      DESCRIPTION  
 NO. RST01                      (PCS)

1	44610HP4300	TANK,oil	1
2	44651HG2600	CAP,oil tank filler	1
3	09116-06010	BOLT,oil tank	2
4	37880HP4300	SWITCH ASS'y, oil level	1
5	44643-31000	GASKET, oil level switch	1

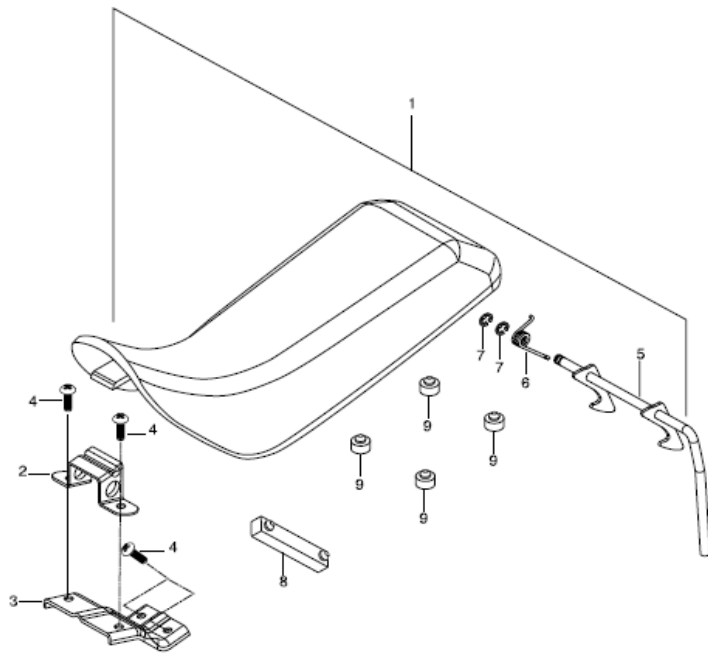
FIG 18



# FIG 19. SEAT

REF. PARTS NO.	DESCRIPTION	(PCS)
NO. RST01		
1	45100HK316058P SEAT,set	1
2	45119-02C00 PLATE,seat front hook	1
3	45118HK3100 PLATE,seat front hook No.1	1
4	02142-06126 SCREW,seat front hook plate(∅	4
5	45210HK3100 CLAMP COMP,seat	1
6	45135-243A2 SPRING,seat clamp	1
7	08332-11066 E-RING,seat clamp	2
8	09321-080A9 CUSHION,seat(∅60*∅20*T6.5)	1
9	09321-100B2 CUSHION,seat(∅22*T10)	4

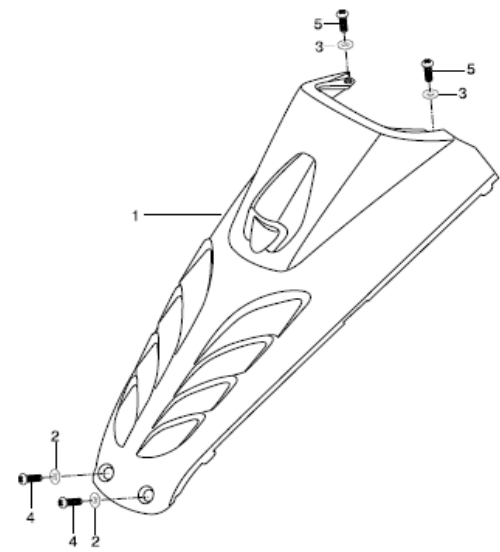
FIG 19



# FIG 20. FENDER CENTER FRONT

REF. PARTS NO.	DESCRIPTION	(PCS)
NO. RST01		
1 53118HK3101291	FENDER,center front(SLD,bla	1
2 08322-21056	WASHER,center front fender f	2
3 09169-05007	WASHER,center front fender n	2
4 02142-05226	SCREW,center front fender fro	2
5 02142-05166	SCREW,center front fender rea	2

FIG 20

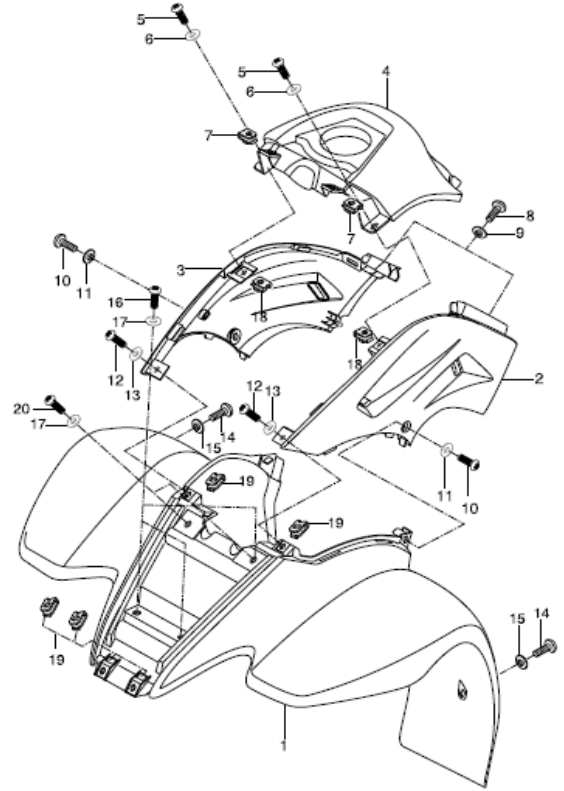




# FIG 21. FENDER FRONT

REF. PARTS NO. NO. RST01	DESCRIPTION	(PCS)
1	53111HK31013R3 FENDER,front	1
2	47211HK31003R3 COVER,side L	1
3	47111HK31003R3 COVER,side R	1
4	53119HK3101291 FENDER,center rear	1
5	02142-05166 SCREW,center front fender rea	2
6	09169-05007 WASHER,center rear fender fr	2
7	09148-05039 NUT,center rear fender front(M	2
8	02142-06166 SCREW,side cover rear(M6*16	2
9	09169-06032 WASHER,side cover rear	2
10	02142-06166 SCREW,side cover lower FT(M	2
11	08322-21066 WASHER,side cover lower fro	2
12	02142-05166 SCREW,side cover front upper	2
13	09169-05007 WASHER,side cover front upp	2
14	02112-06308 SCREW,front fender lower(M6	2
15	09169-06032 WASHER,front fender lower	2
16	02142-06166 SCREW,front fender upper(M6	3
17	09169-06032 WASHER,fender front upper	3
18	09148-05039 NUT,side cover center(M5)	2
19	09148-05039 NUT,front fender upper(M5)	4
20	02142-06206 SCREW,staring motor relay &	1

FIG 21

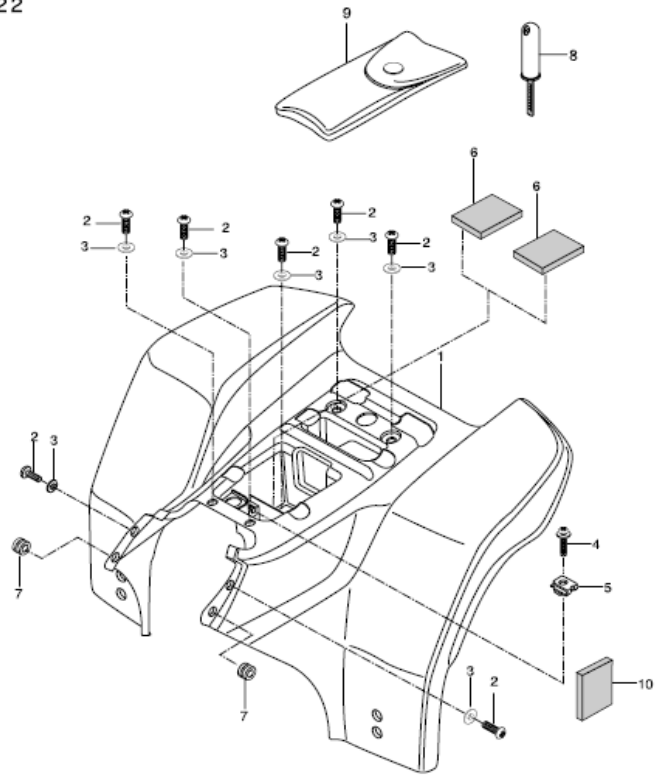


# FIG 22. FENDEDR REAR

REF. PARTS NO.                      DESCRIPTION  
 NO. RST01    (PCS)

1	63111HK310203R3	FENDER,rear	1
2	02142-06166	SCREW,rear fender(M6*16)	7
3	09169-06032	WASHER,rear fender	7
4	02142-06206	SCREW,starting motor relay &	1
5	09148-06020	NUT,starting motor relay & rea	1
6	33652-01A10	CUSHION,rear fender & batter	2
7	09320-08028	CUSHION,rear fender front	2
8	96200HK3100	GAUGE,assy air pressure	1
9	09800HK3100	TOOL,assy	1
10	63118HL4100	HEAT SHIELD,rear fender	1

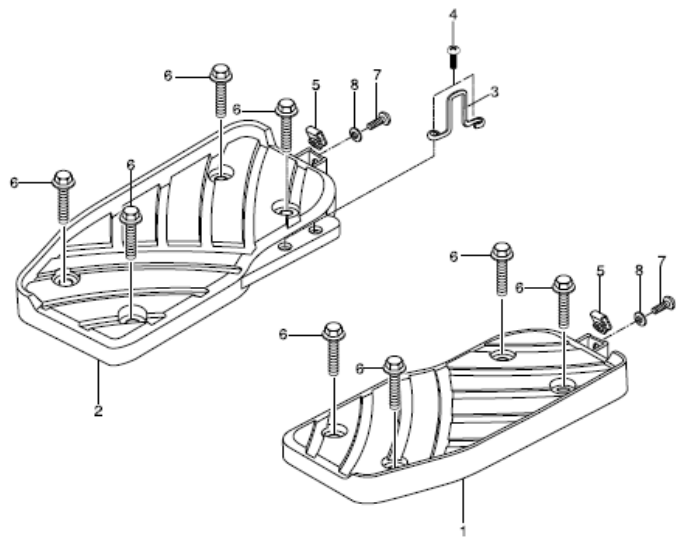
FIG 22



# FIG 23. FOOTREST

REF. PARTS NO.	DESCRIPTION	(PCS)
NO. RST01		
1	43521HL410126B FRONT FOOTREST L	1
2	43511HL410026B FRONT FOOTREST R	1
3	45210HL4101 GUARD,footrest RH	1
4	02142-06166 SCREW,footrest guard(M6*16	2
5	09148-06020 NUT,footrest & RR fender(M6	2
6	01517-06306 BOLT,front footrest(M6*30)	8
7	02142-06166 SCREW,footrest & RR fender(	2
8	09169-06032 WASHER,footrest & RR fende	2

FIG 23

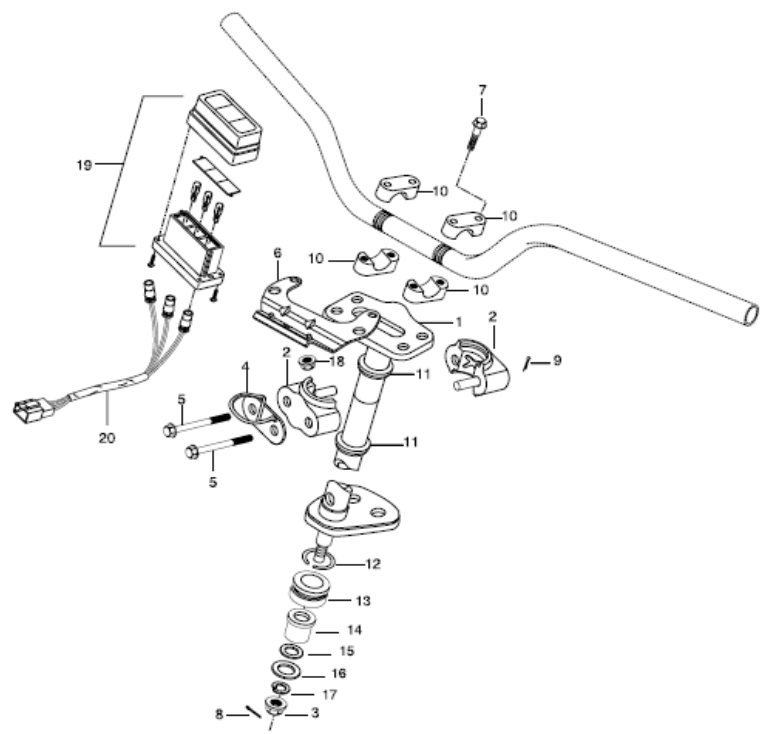


# FIG 24. SHAFT COMP STEERING

**REF. PARTS NO.**                      **DESCRIPTION**  
**NO. RST01**                                      **(PCS)**

1	51650HP4300PAM	SHAFT,comp steering	1
2	51670-18902KOR	HOLDER,steering shaft	2
3	08319-31106	NUT,steering shaft(M10)	1
4	51680HK3101	REINF,steering holder	1
5	09103-08085KOR	BOLT,steering shaft(M8*60)	2
6	51820HP4300	BKT, h/lamp, hous'g	1
7	01234-08556	BOLT,handle bar holder(M8*5)	4
8	04111-20206	COTTER PIN,steer`r shaft lowe	1
9	04111-20206	COTTER PIN,steer`r shaft lowe	2
10	56211-272A0	HOLDER,handle bar	4
11	51678-18900KOR	DUST SEAT,steering shaft(32 $\phi$ )	2
12	09380H30002	SNAP RING,dust seal	1
13	51662-18900KOR	DUST SEAL,steering(35*24.6 $\phi$ )	1
14	51661-40B00KOR	BUSH,steering shaft lower	1
15	09280-14003	O-RING,steering shaft lower(2)	1
16	09160-10068	WASHER,steering shaft low up	1
17	08321-31106	WASHER,steering shaft low lo	1
18	08319-31088	NUT	1
19	39000HP4300	LAMP ASS'y, idicator	1
20	39150HP4300	SOCKET Ass'y, indicator	1

FIG 24



# FIG 25. HANDLE BAR

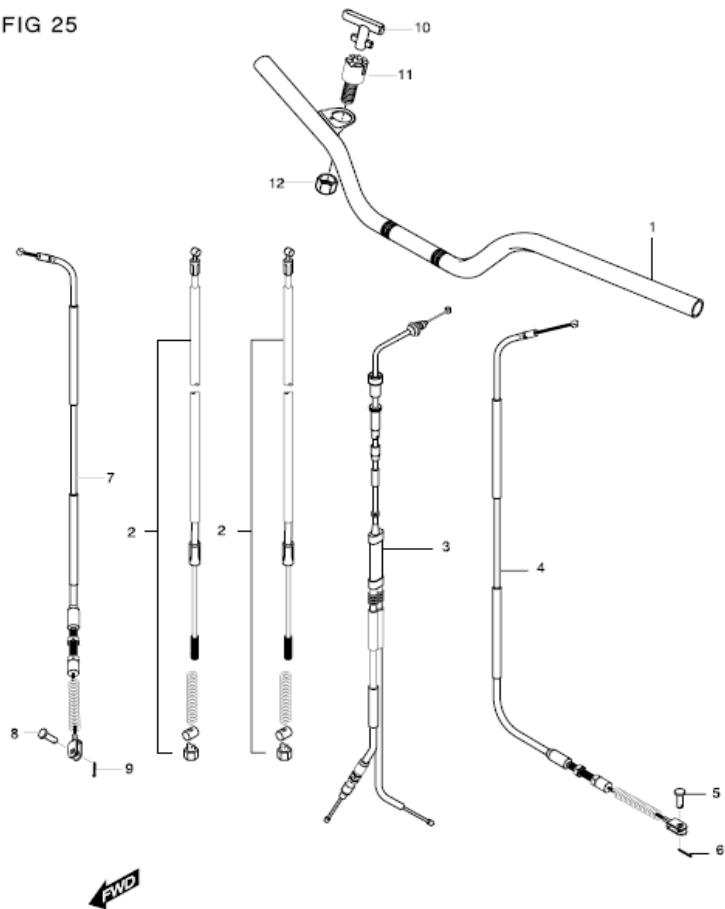
REF. PARTS NO.            DESCRIPTION

NO. RST01

(PCS)

1	56111HP4300PAM	HANDLE BAR	1
2	58110HK3102	CABLE,assy front brake	2
3	58300HL4101	CABLE,assy throttle	1
4	58510HL4100	CABLE,RR BK	1
5	09200-06004	CLANP,RR BK CABLE 2	1
6	04111-20158	PIN	1
7	56400HP4302	CABLE ASS'y, reverse	1
8	09200-06004	PIN	1
9	04111-20158	COTTER, pin	1
10	56141HP4301	LEVER, reverse	1
11	56142HP4301	HOLDER, reverse lever	1
12	56143HP4302	NUT, reverse lever hold	1

FIG 25

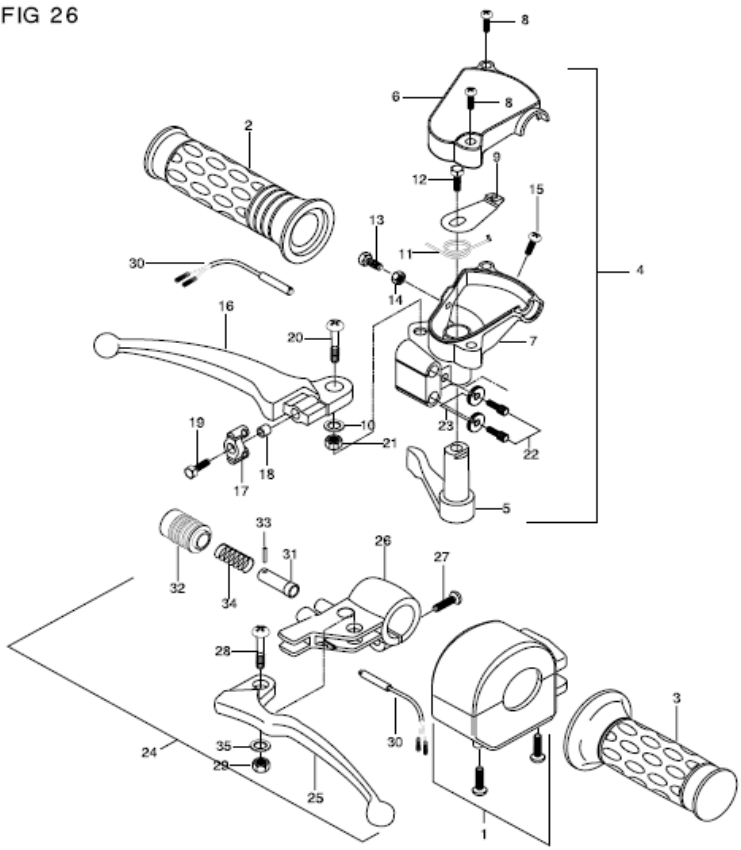


# FIG 26. HANDLE SWITCH

REF. PARTS NO. DESCRIPTION (PCS)  
 NO. RST01

1	37400HK3100	SWITCH,assy handle LH	1
2	57311HK3100	GRIP,handle RH	1
3	57211HK3101	GRIP,handle LH	1
4	57100HK3104	LEVER,assy throttle & FT brak	1
5	57151HK3101	LEVER,throttle	1
6	57131HK3100	COVER,throttle case	1
7	57121HK3100	CASE,throttle lever	1
8	02112-05165	SCREW,throttle case cover(M5	2
9	57158HK3100	ARM,throttle lever	1
10	09321-21055	WASHER,front brake lever piv	1
11	57159HK3100	SPRING,throttle lever return	1
12	09128-06007	BOLT,throttle lever	1
13	09100-05001	BOLT,throttle adjuster	1
14	08310-11055	NUT,throttle case(M5)	1
15	02112-06205	SCREW,throttle case(M6*20)	1
16	57621HK3100	LEVER,comp front brake	1
17	57396HK3101	EQUILIZER	1
18	09180H06250	BUSH	1
19	09128-06027	BOLT,equilizer	1
20	57431HK3100	BOLT,FT brake lever pivot	1
21	08310-11055	NUT,FT brake lever pivot(M6)	1
22	57441-26010	ADJUSTER,brake cable	2
23	57442-26010	NUT,brake cable adjuster	2
24	57500HK3102	LEVER,assy rear brake	1
25	57421HK3100	LEVER,comp RR brake lever	1
26	57321HK3100	HOLDER,rear brake lever	1
27	02112-06205	SCREW,holder(M6*20)	1
28	57431HK3100	BOLT,RR brake lever pivot	1
29	08310-11055	NUT,RR brake lever pivot(M6)	1

FIG 26

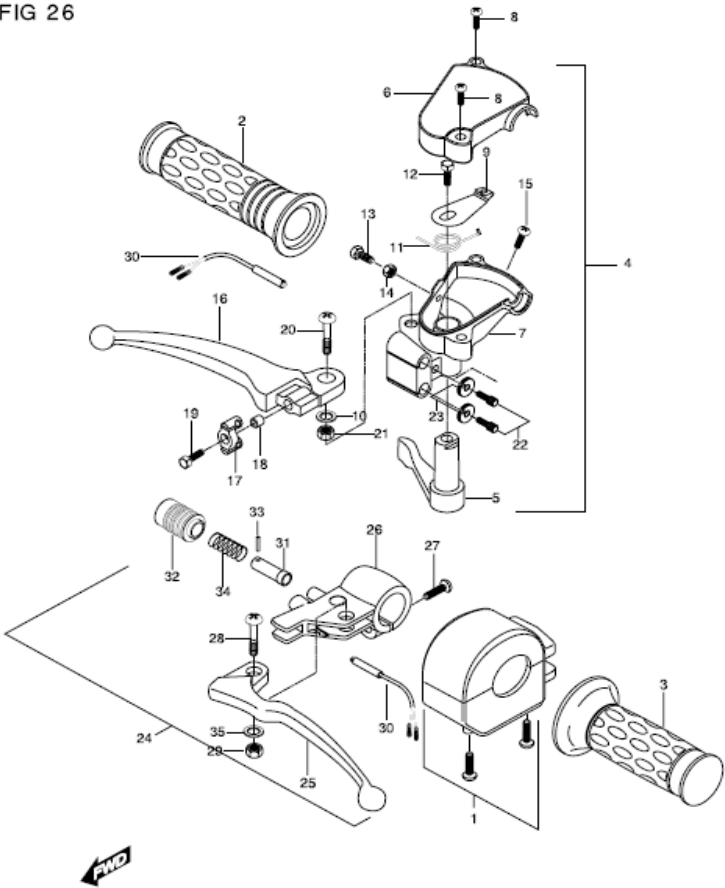


# FIG 26. HANDLE SWITCH -1

REF. PARTS NO.                      DESCRIPTION

NO.	RST01		(PCS)
30	57460HK3100	SWITCH,assy RR brake	2
31	57781-04600	PIN,brake lever stop	1
32	57784-04600	COVER,RR brake cover stopper	1
33	57785-04600	PIN,brake cover	1
34	57783HK3100	SPRING,brake lever stopper pi	1
35	08321-21055	WASHER,rear brake lever pivc	1

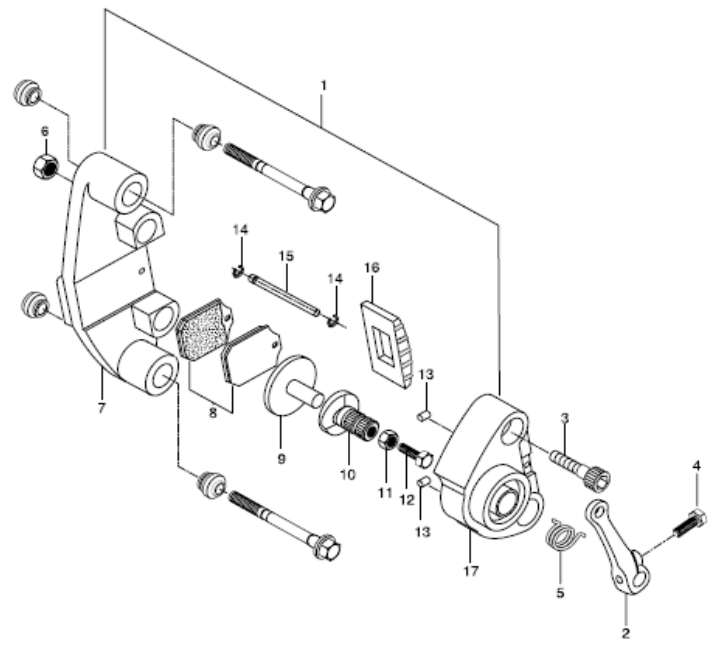
FIG 26



# FIG 27. CALIPER

REF. PARTS NO.	DESCRIPTION	(PCS)
NO. RST01		
1	69300HP4300 CALIPER,assy rear	1
2	64451HK3101 LEVER,rear brake caliper	1
3	57431H05D00 BOLT,caliper	2
4	01107-06208 BOLT,rear brake lever(M6*16)	1
5	09448H15002 SPRING,rr caliper lever return	1
6	08310-11005 NUT,caliper pad push adjuster(M5)	
7	59311-21000 HOUSING RH,caliper	
8	59300-21000 PAD,brake	1
9	59322-21000 PLATE,pad push	
10	59321-21000 CAM,brake	
11	08310-11055 NUT,adjuster(M5)	1
12	01107-05305 BOLT,adjust(M5*30)	1
13	09261-06930 ROLLER	
14	09383-25041 E-RING	
15	09209-21000 PIN,pad guide	
16	59340-21000 CAP	1
17	59312-21000 HOUSING LH,caliper	

FIG 27

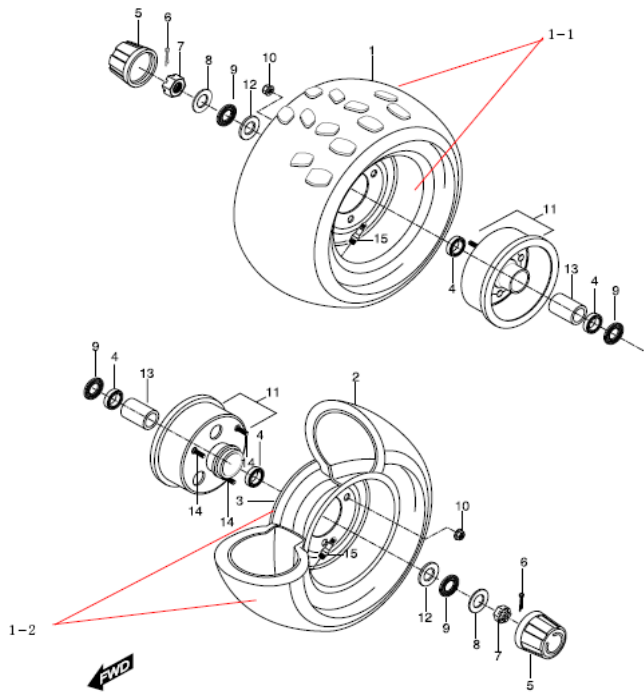




# FIG 28. FRONT WHEEL

REF. PARTS NO.	DESCRIPTION	(PCS)
NO. RST01		
3 55310HL4100	RIM COMP,front	2
4 08120-60027KOR	BEARING,front hub(15*32*9)	4
5 54725HK3101	CAP,wheel center	2
6 04111-30258	CONTER PIN,axle front	2
7 08314-40146	NUT,front axle(M14)	2
8 08322-11148	WASHER,front wheel	2
9 54841-04200	SEAL,front hub brg(32*20*3)	4
10 08319-31088	NUT,front wheel(M8)	6
11 54110HK3104	HUB,comp front wheel	2
12 54741-04200KOR	SPACER,front axle	2
13 54731-04200KOR	SPACER,front hub bearing	2
14 09119H08060	BOLT,hub(M8*17)	6

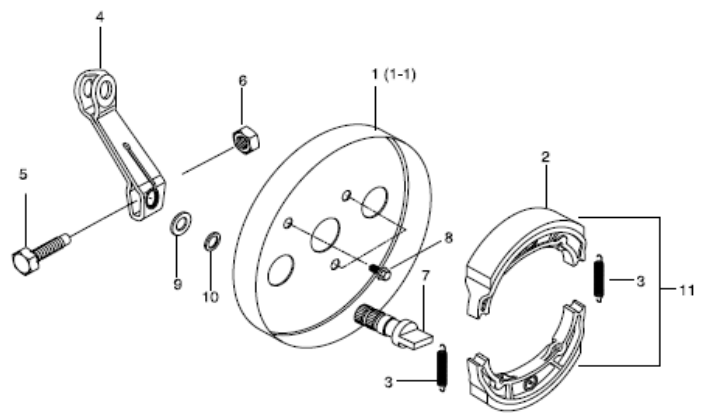
FIG 28



# FIG 29. FRONT BRAKE

REF. PARTS NO.	DESCRIPTION	(PCS)
NO. RST01		
1	54511HK3106 PLATE,front brake RH	1
1-1	54611HK3106 PLATE,front brake LH	1
2	64400HK3100 SHOE,comp front brake	4
3	09443H08025 SPRING,front brake shoe(L=32	4
4	54451HK3102 LEVER,front brake cam	2
5	12812-30A00 BOLT,rear brake cam lever(M6	2
6	08316-16068 NUT,rear brake cam lever(M6)	2
7	54441HK3103 CAM,front brake	2
8	09100-06158 BOLT,front brake plate(M6*8)	6
9	09160-12011 WASHER,front brake cam(ø20	2
10	09280H14005 O-RING,front brake cam(ID:11	2
11	64400HK3100 SHOE ASS'Y, brake	2

FIG 29

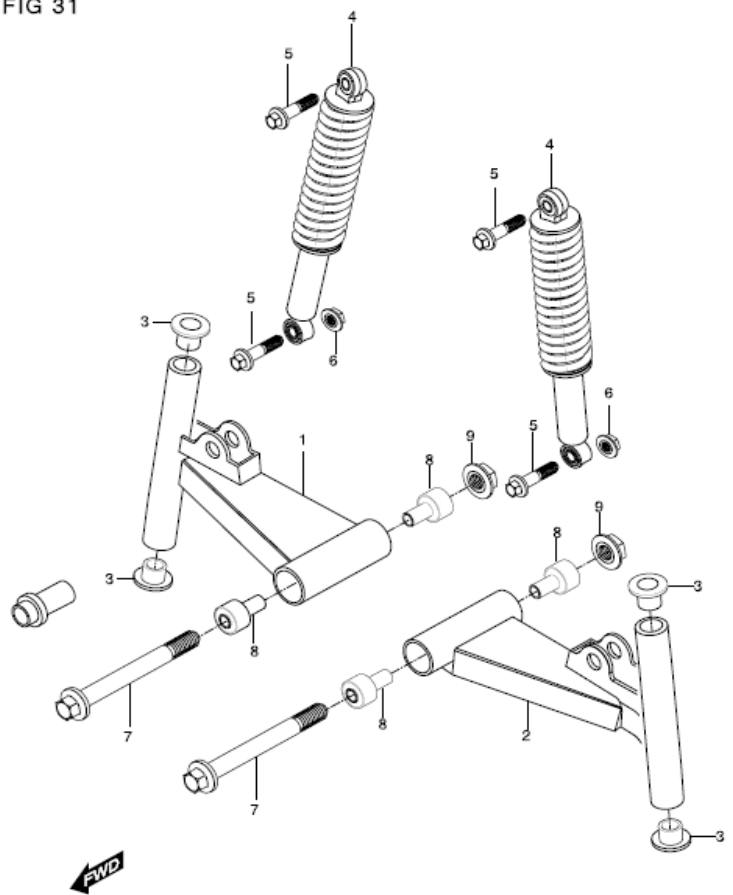




# FIG 31. SUSPENSION ARM

REF. PARTS NO.	DESCRIPTION	(PCS)
NO. RST01		
1	52410HL4101PAM ARM,comp suspension R	1
2	52420HL4101PAM ARM,comp suspension L	1
3	51236-40B00KOR BUSH,king pin	4
4	52100HL4100 ABSORBER,assy front shock	2
5	61181-02C00 BOLT,front shock absorber ass	4
6	08316-26106 NUT,front shock absorber assy	2
7	09103H12026 BOLT,suspension arm(M12*12	2
8	09319H12005 BUSH,suspension arm	4
9	08319-31126 NUT,suspension arm(M12)	2

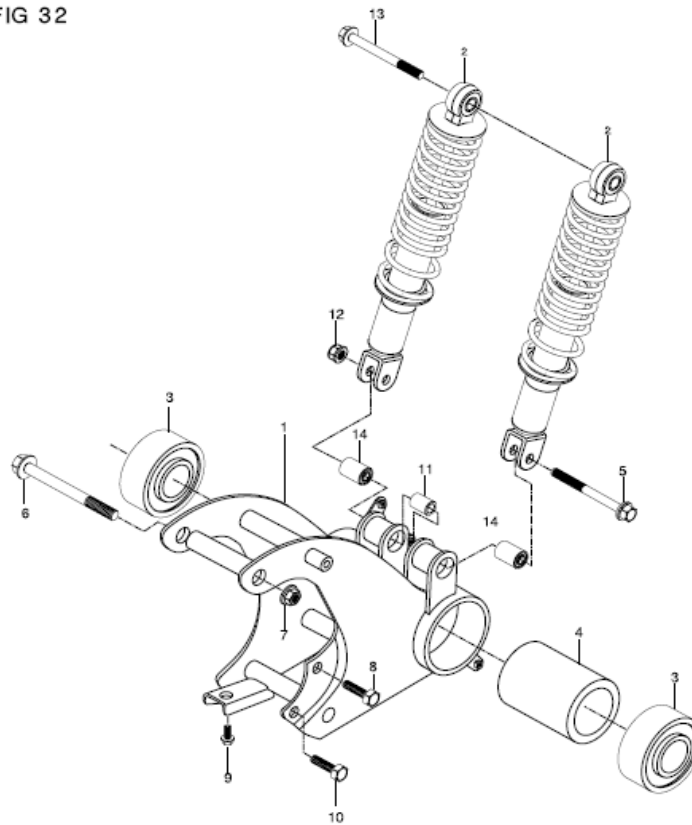
FIG 31



# FIG 32. REAR HOUSING COMP

REF. PARTS NO.	DESCRIPTION	(PCS)
NO. RST01		
1	64720HL4107PAM HOUSING,comp RR axle brg	1
2	62100HL4103 ABSORBER,assy rear shock	2
2~1	62100HL4103 ABSORBER,assy rear shock	2
3	09262H32001 BEARING,rear axle(32*65*17)	2
4	64731HK3102 SPACER,rear axle bearing(L=6)	1
5	61181-02C00 BOLT,rear shock absorber(M10)	4
6	09103H10022 BOLT,rear axle housing & case	1
7	08319-31106 NUT,rear axle housing & case	1
8	07110-08256 BOLT,RR axle housing clamp	1
9	07110-08168 BOLT,RR axle housing bracket	1
10	07110-08358 BOLT,RR axle housing clamp	1
11	62211HK3101 SPACER,RR S/ASS	1
12	08319-31108 NUT, rr shock absorber low	1
13	09103H10152 BOLT, E/G MTG f/t	1
14	09319H10055 BUSH	2

FIG 32



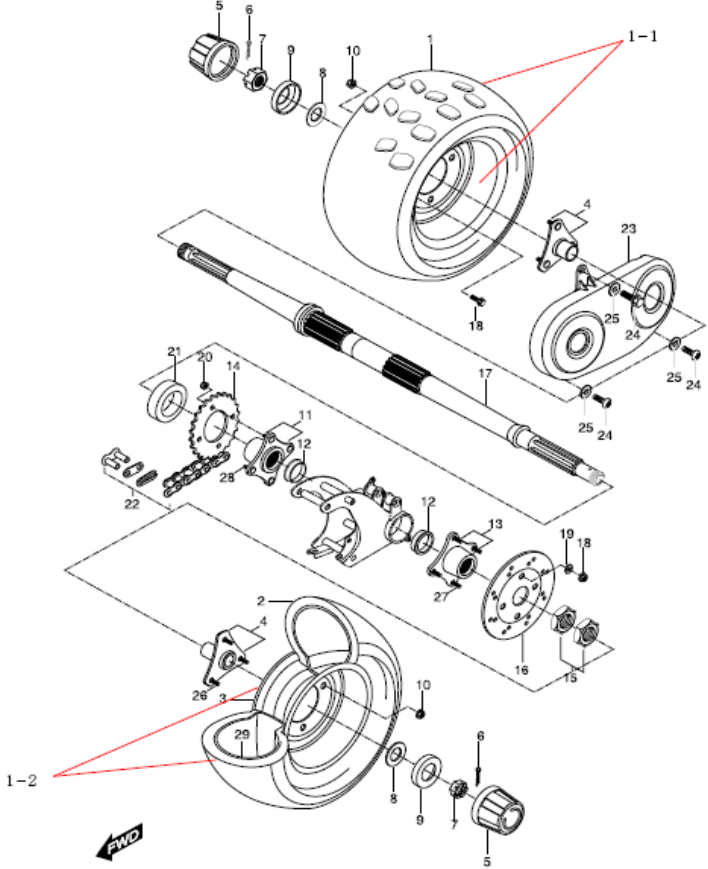


# FIG 33. REAR WHEEL

REF. PARTS NO.      DESCRIPTION  
 NO. RST01                      (PCS)

27	09119-08073KOR	BOLT, rear disk flange	4
28	09119-08073KOR	BOLT, rear sprocket flange	4
29	55200-29C30	VALVE ASS'Y, wheel rim	2

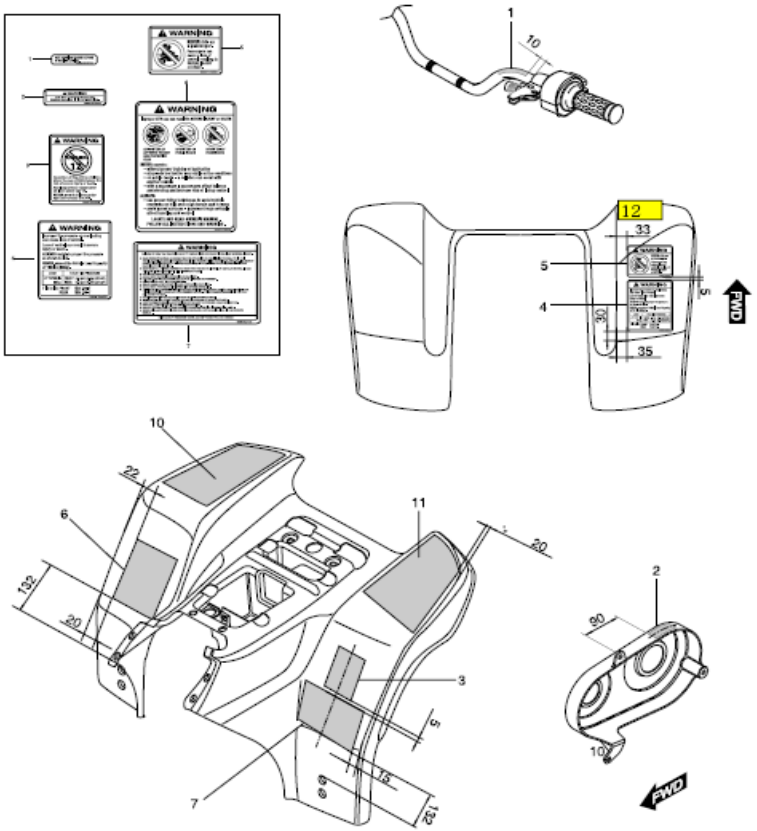
FIG 33



# FIG 34. LABEL

REF. PARTS NO.	DESCRIPTION	(PCS)	
1	68343HK3100	WARNING, parking brake	1
2	68320HK3100	LABEL, chain case	1
3	68931HL4150	LABEL, AGE(6/12)	1
4	68332HL4150	LABEL, tire air pressure	1
5	68367HK3100	LABEL, no passenger	1
6	68921HK3100	LABEL, general warning	1
7	68366HL4150	LABEL, warning	1
10	68134HP4300A0C	TAPE, fender RR RH	1
11	68136HP4300A0C	TAPE, fender RR LH	1
12	68500HP4350PL	LABEL, back gear	1

FIG 34



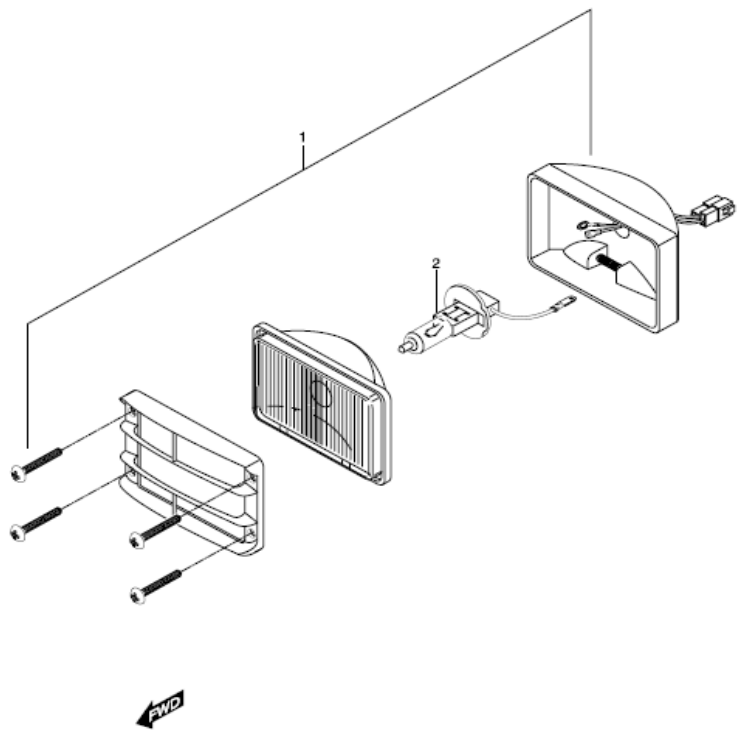


# FIG 35. HEAD LAMP

REF. PARTS NO.	DESCRIPTION	(PCS)
NO. RST01		

1	35100HL2302	HEAD LAMP ASS'Y	1
2	09471H12104	BULB, head lamp (12v, 35W)	1

FIG 35



# FIG 36. REAR COMBINATION

REF. PARTS NO.	DESCRIPTION	(PCS)
NO. RST01		
1 35710HL2300	LAMP ASS'Y, tail	1
2 09471H12213	BULB, tail lamp (12V, 5W)	1

FIG 36

