



FIG 1-2

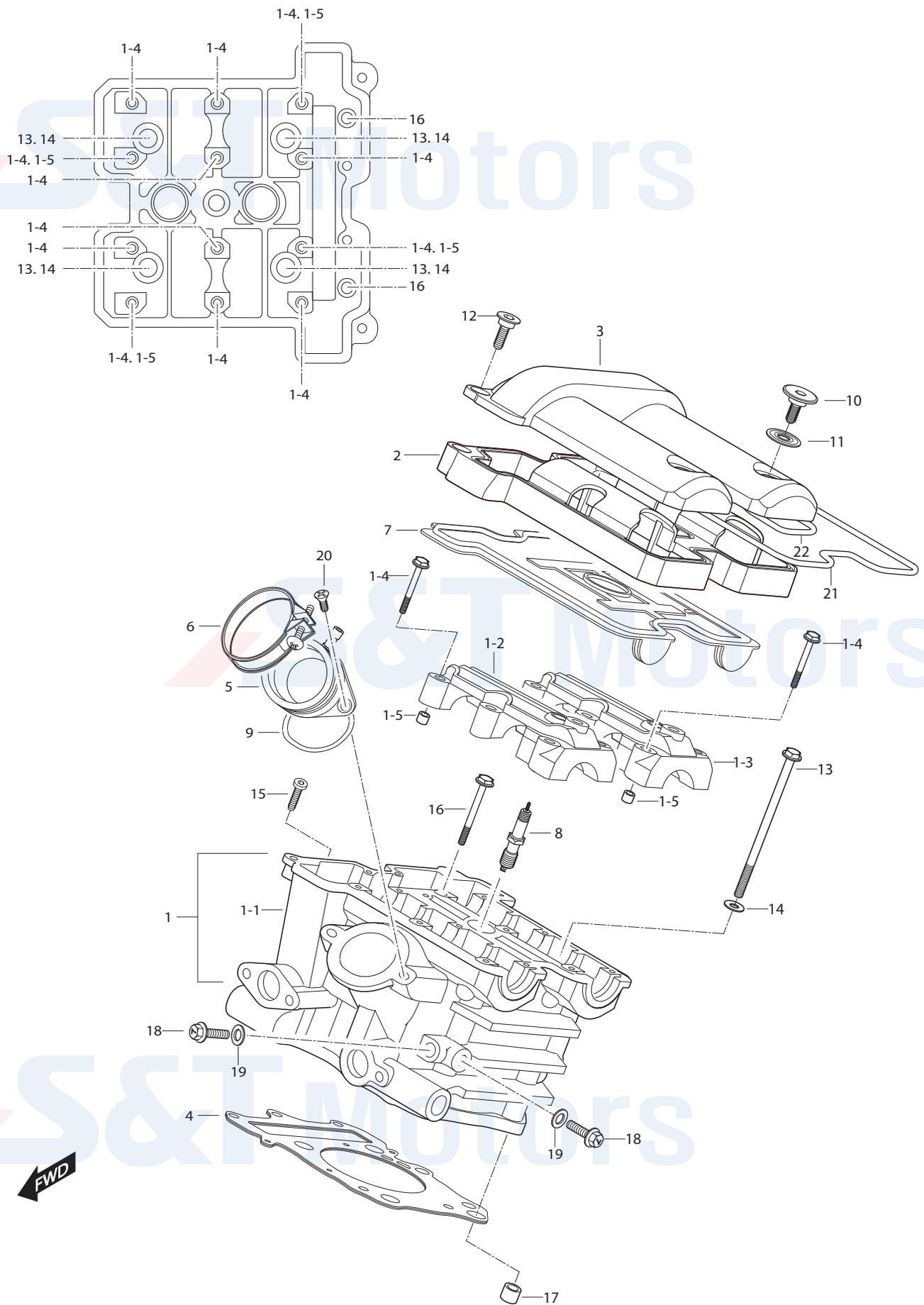


FIG 2

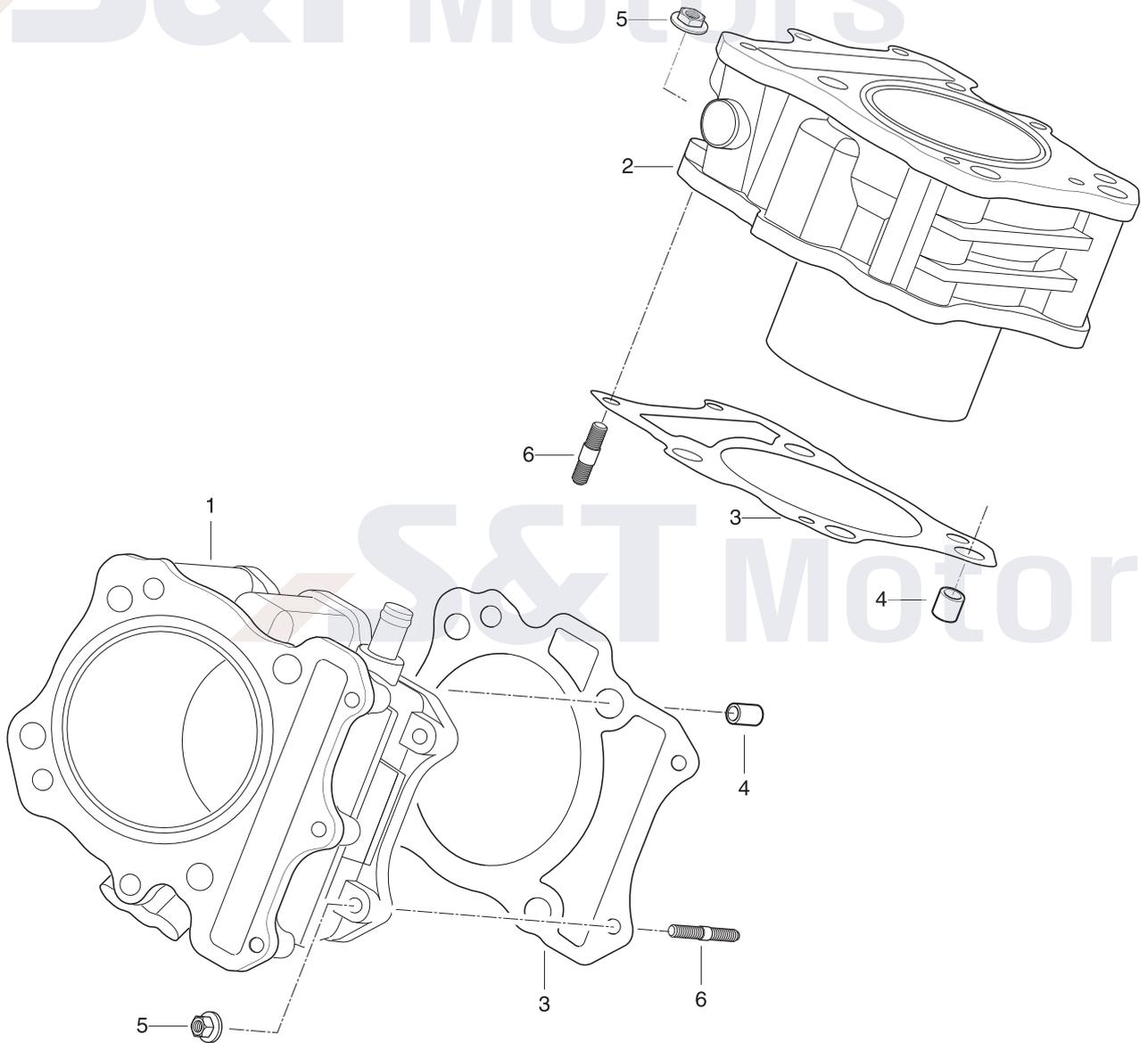


FIG 3

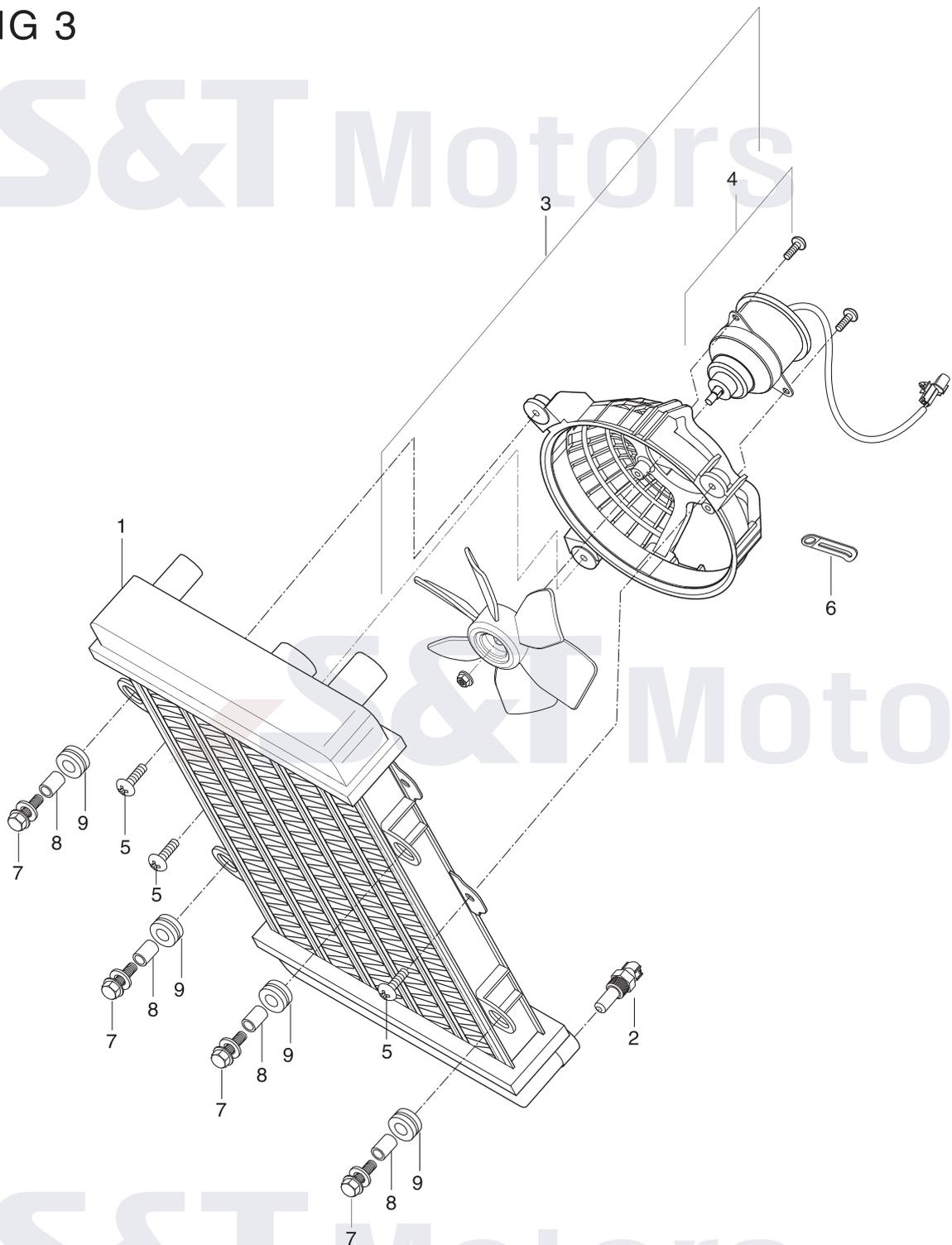
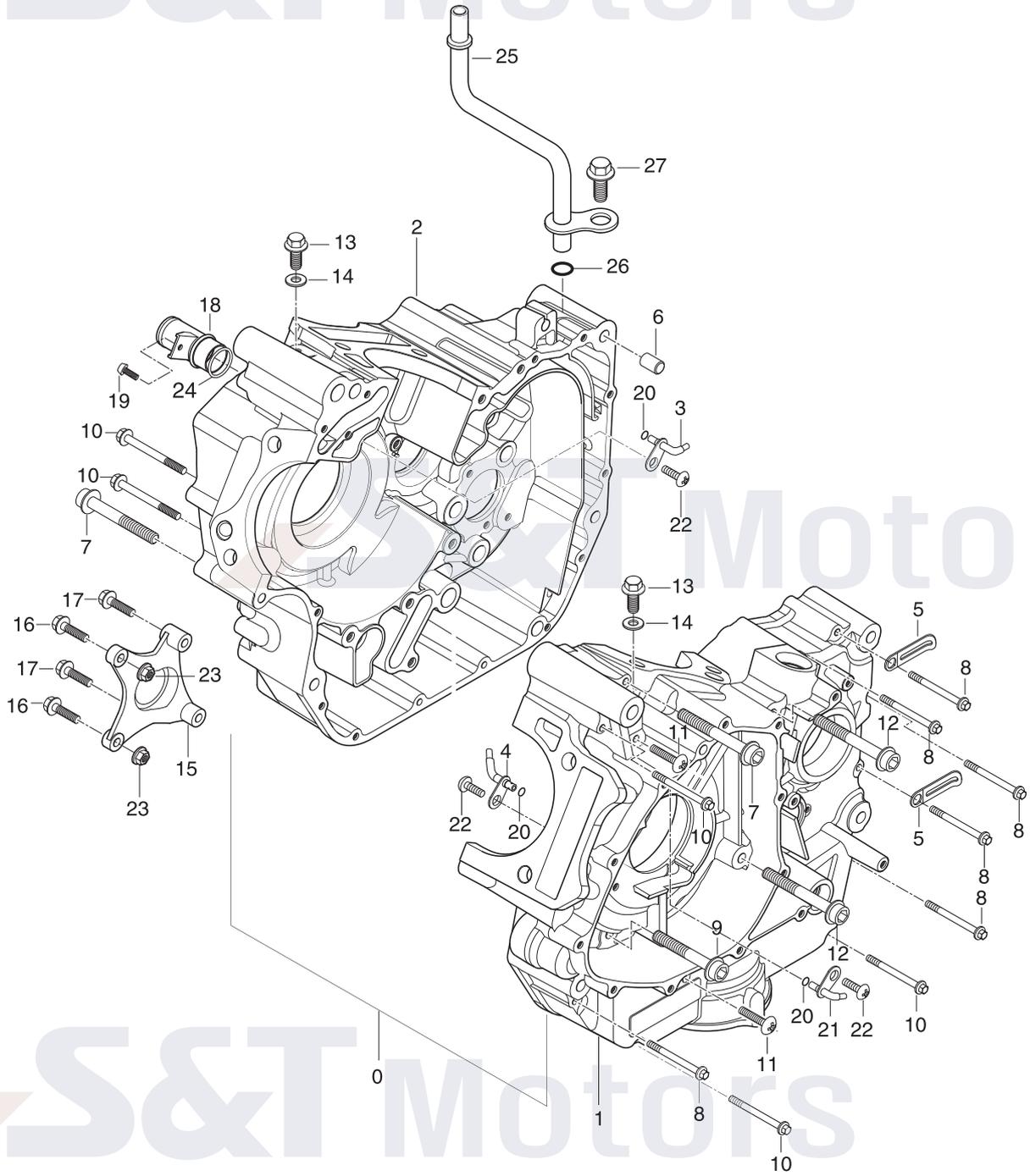


FIG 4

S&T Motors



S&T Motors

FIG 5

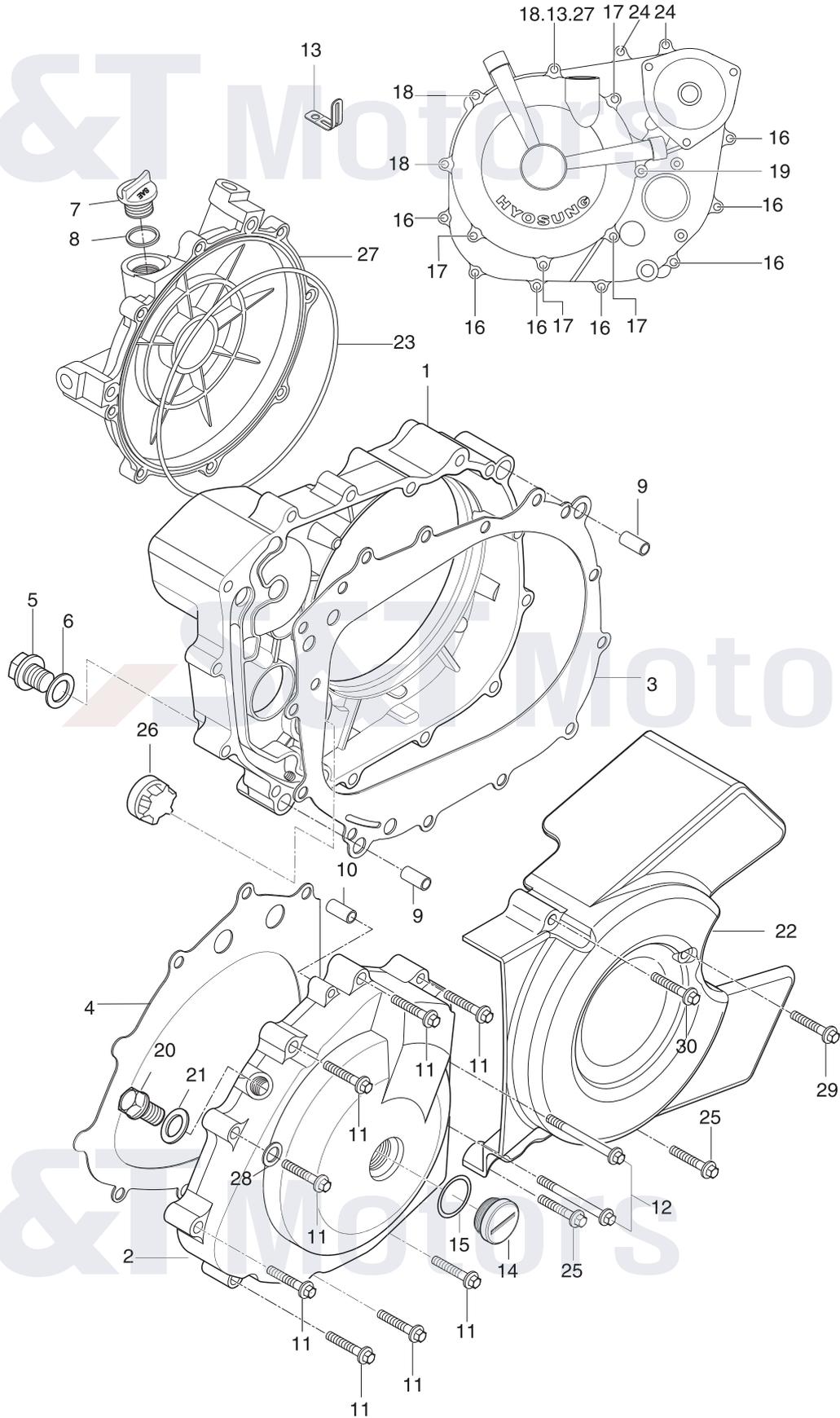


FIG 6

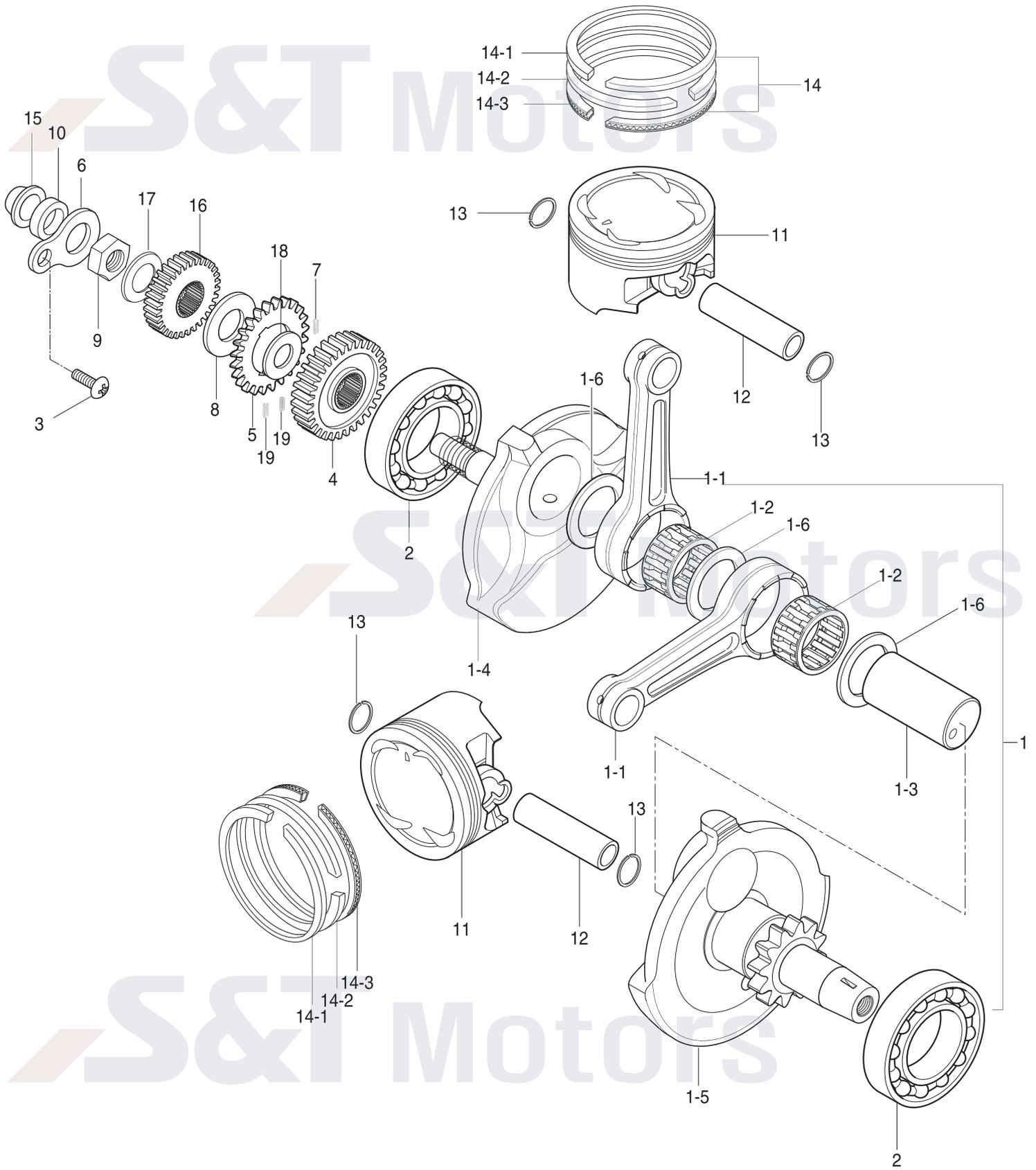
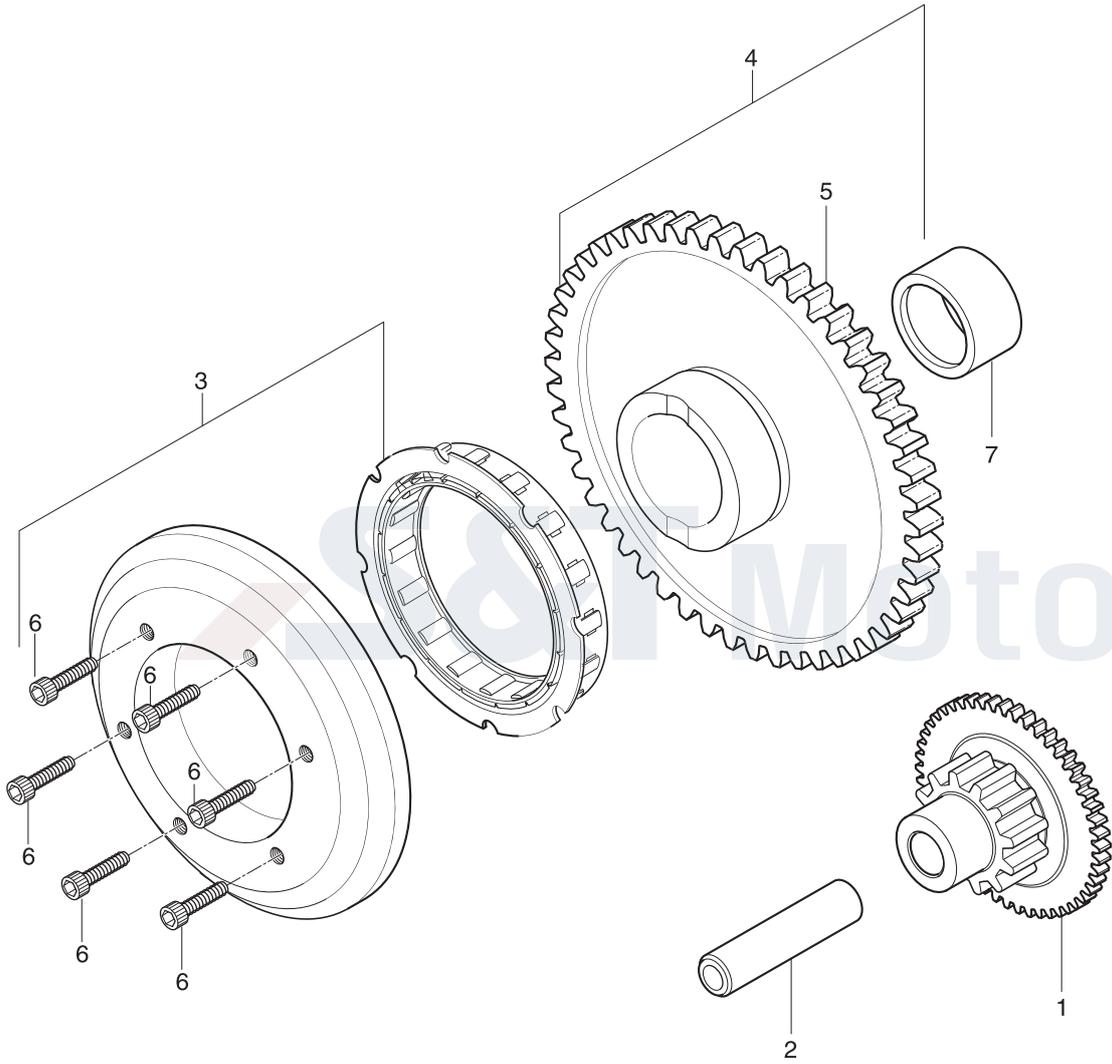


FIG.7

S&T Motors



S&T Motors

FWD

FIG 8

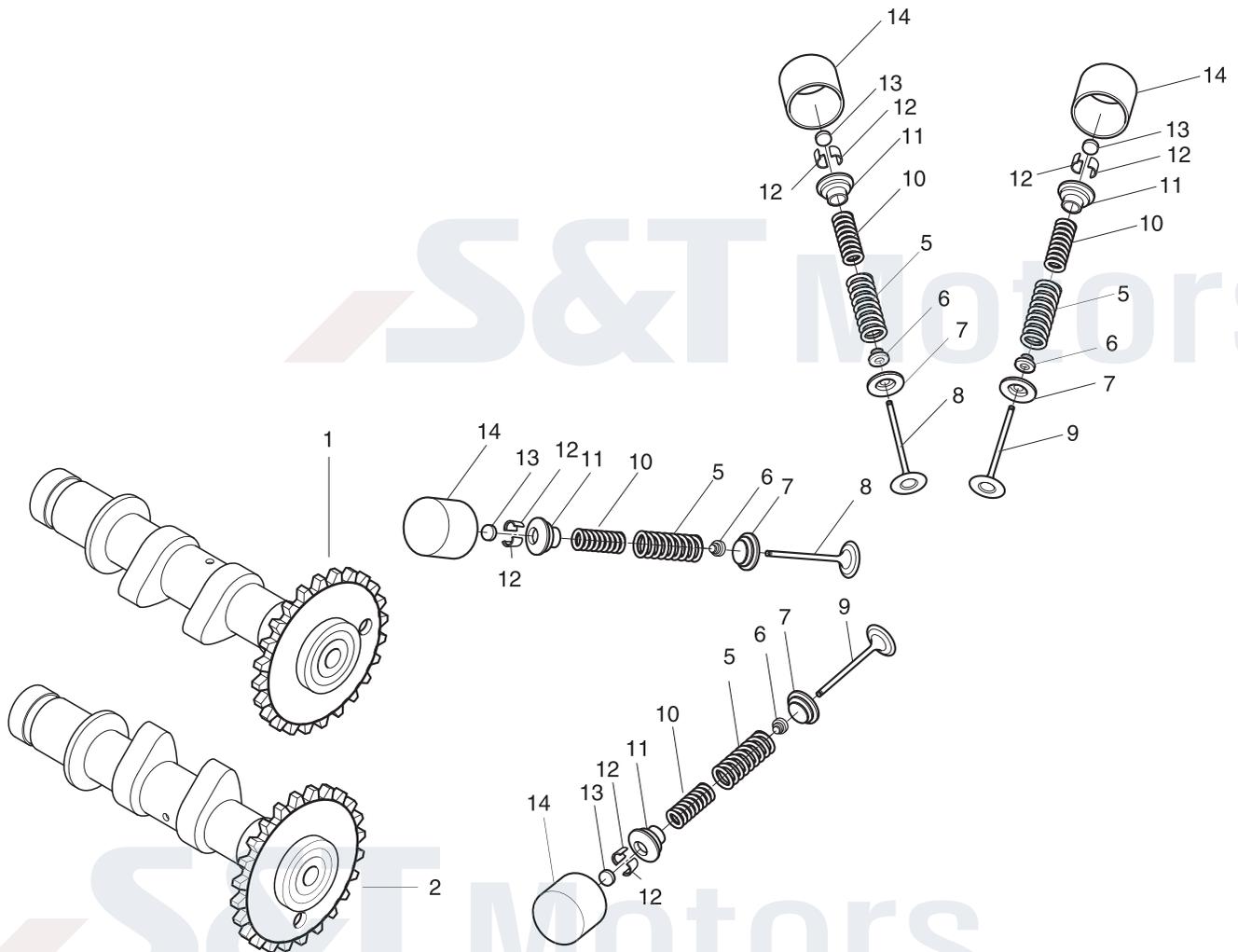
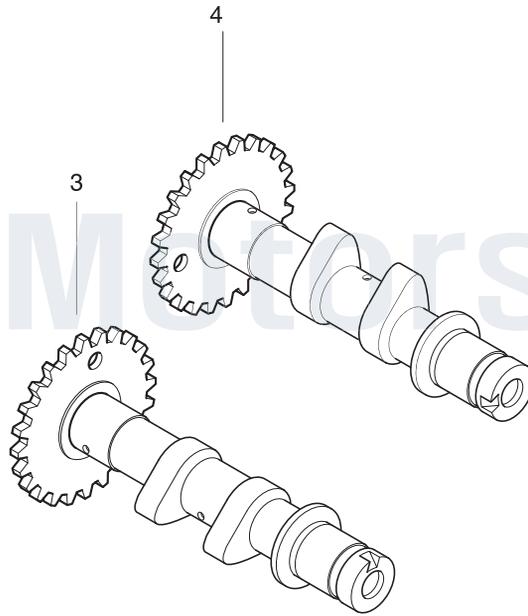


FIG 9

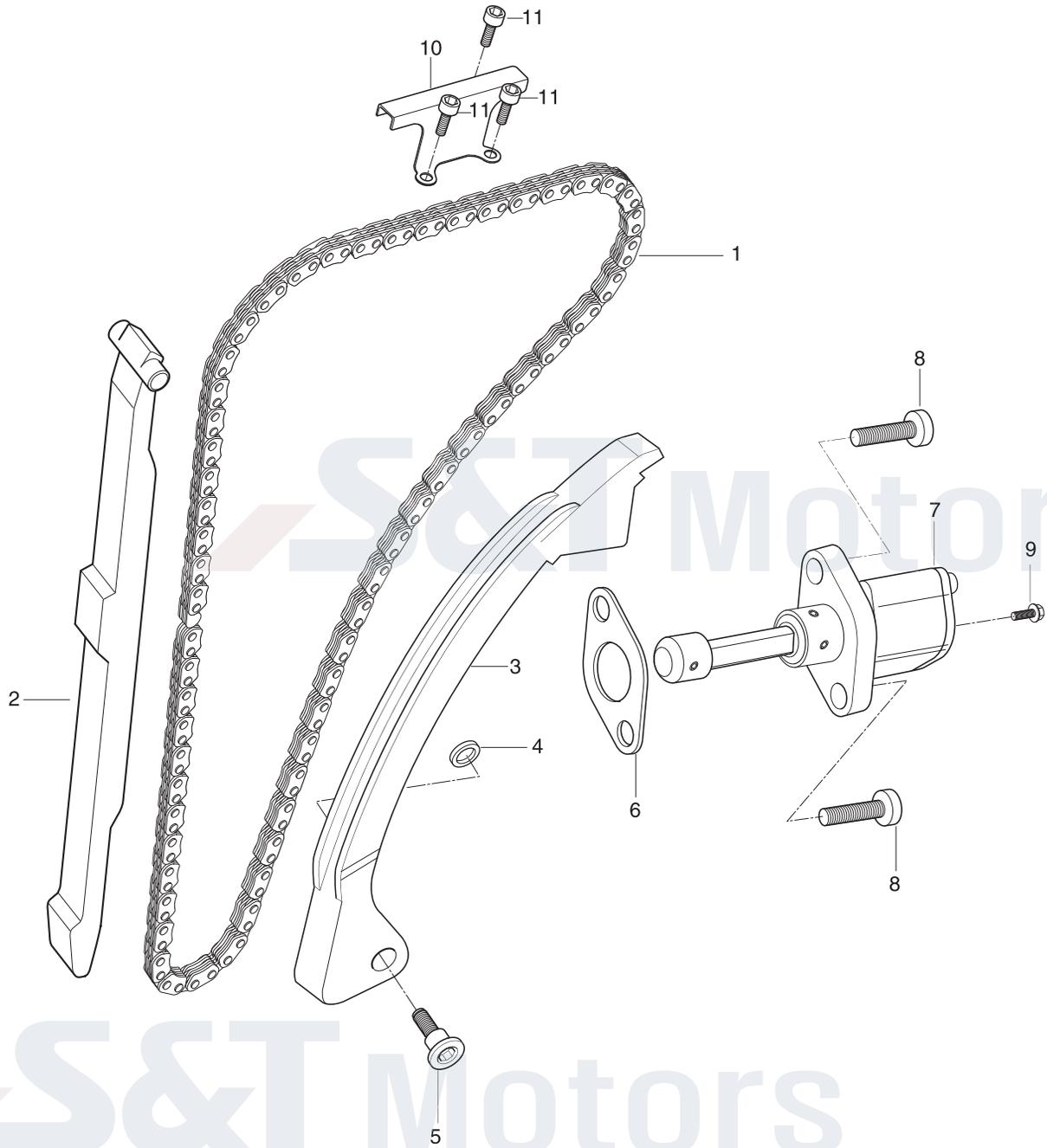


FIG 10

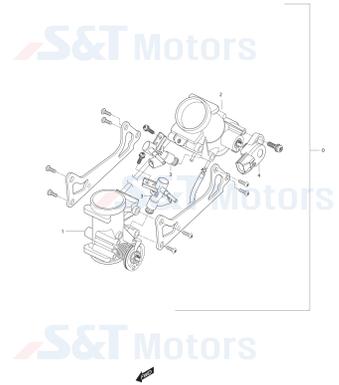
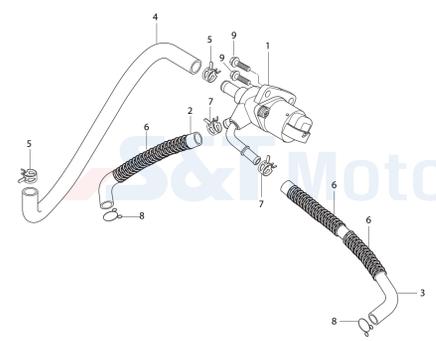


FIG 11

S&T Motors



S&T Motors

FIG.12

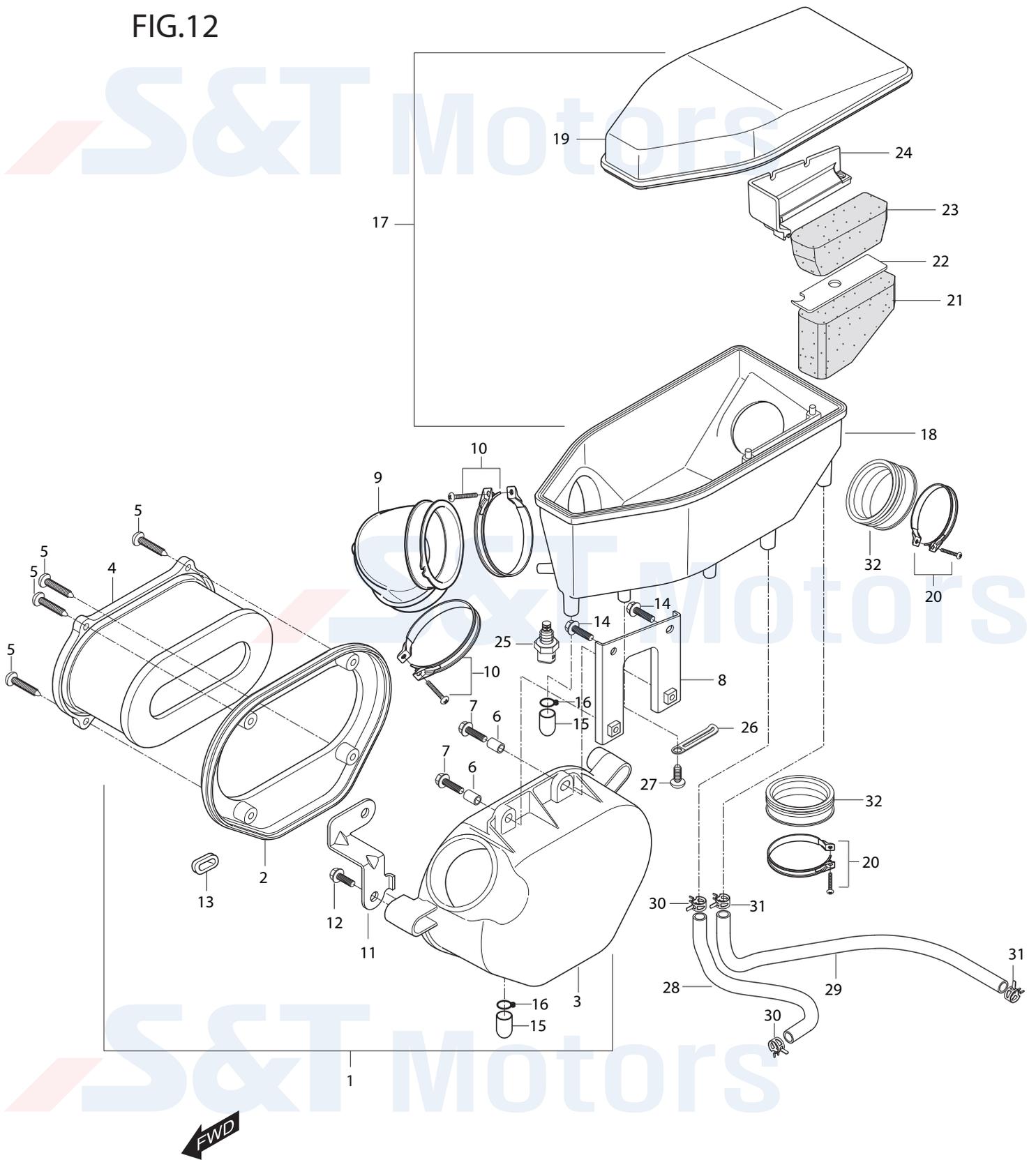


FIG.13

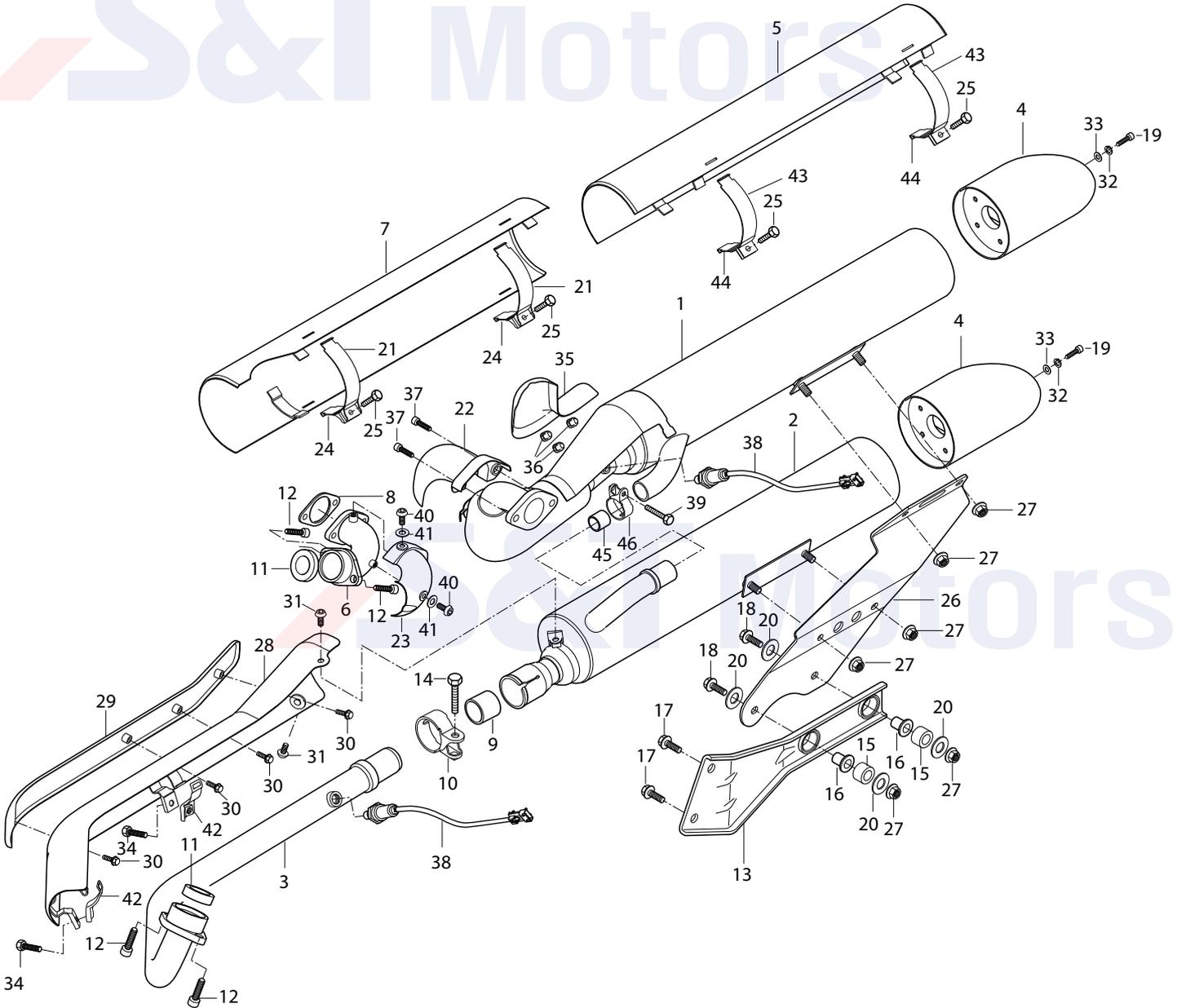




FIG.15

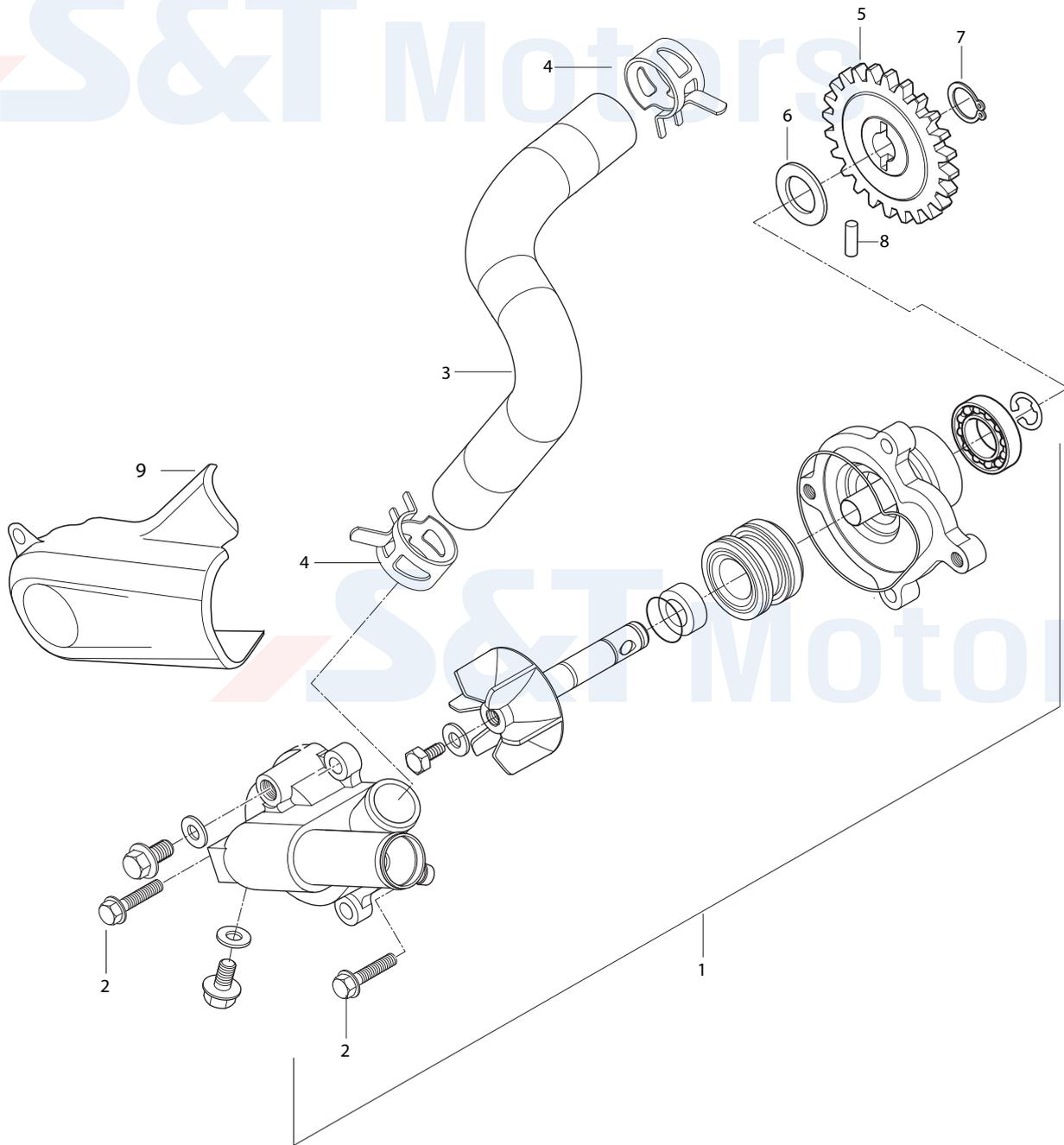
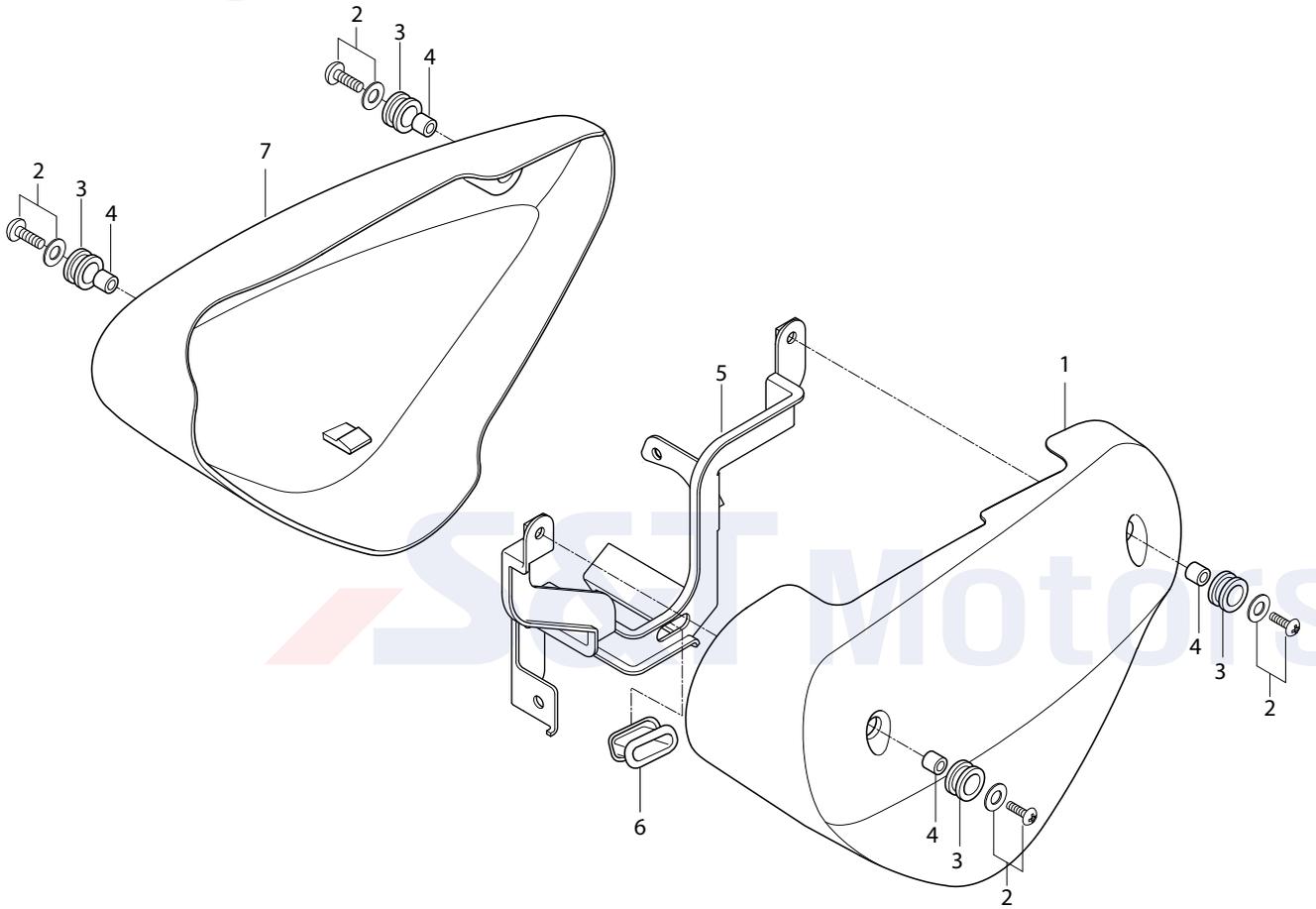




FIG.17

S&T Motors



S&T Motors

FIG 18

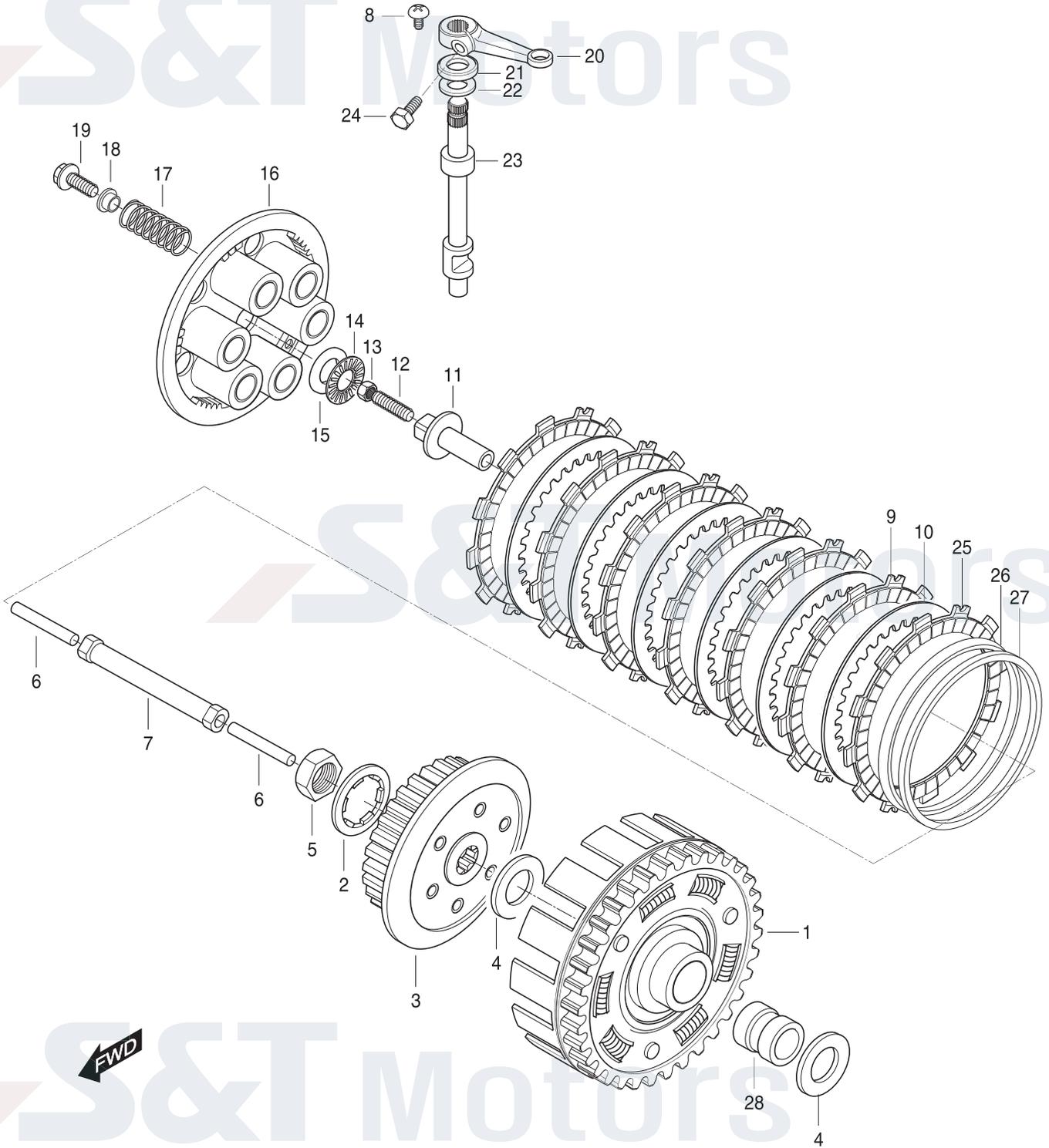


FIG.19

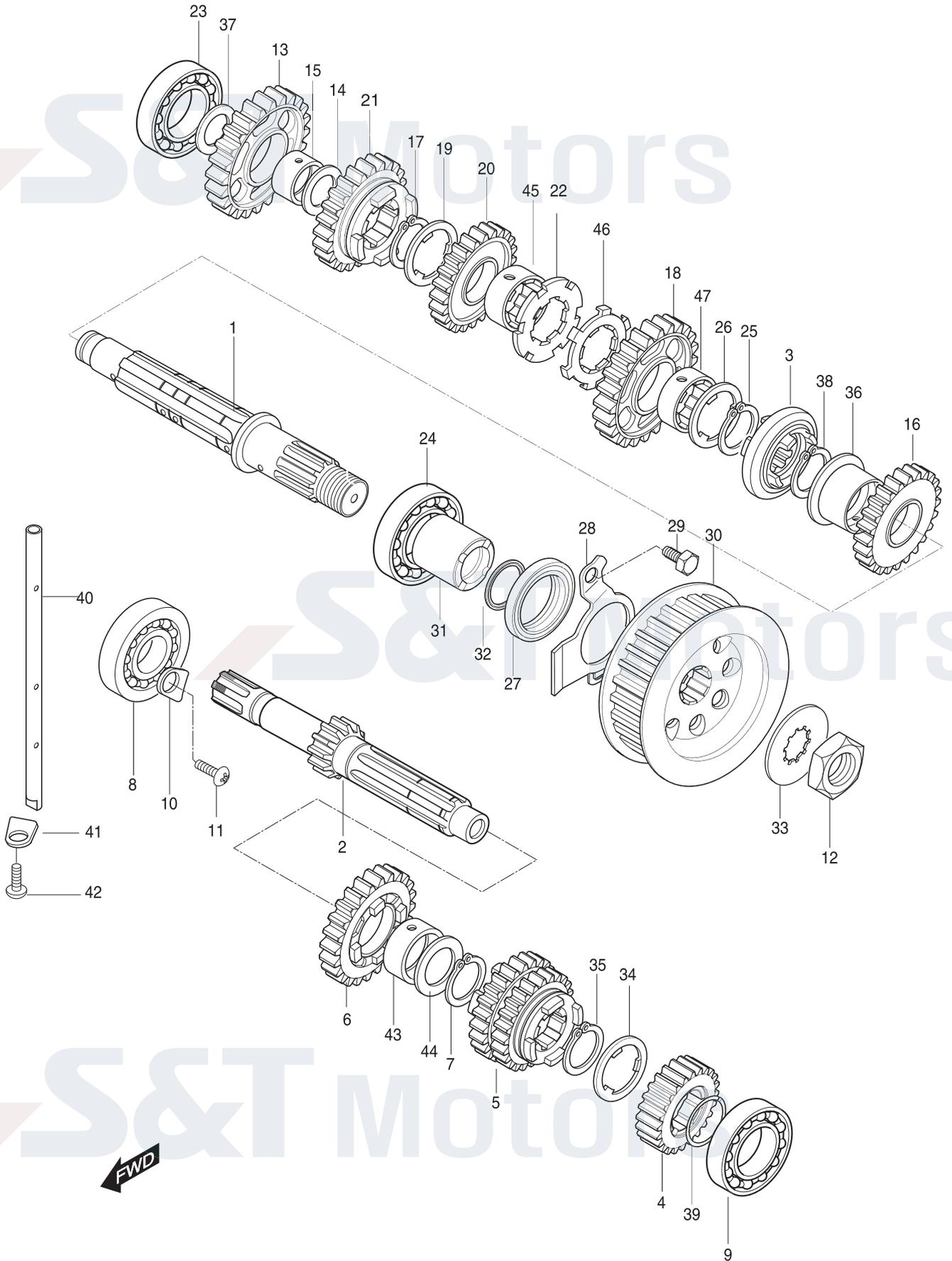


FIG 20

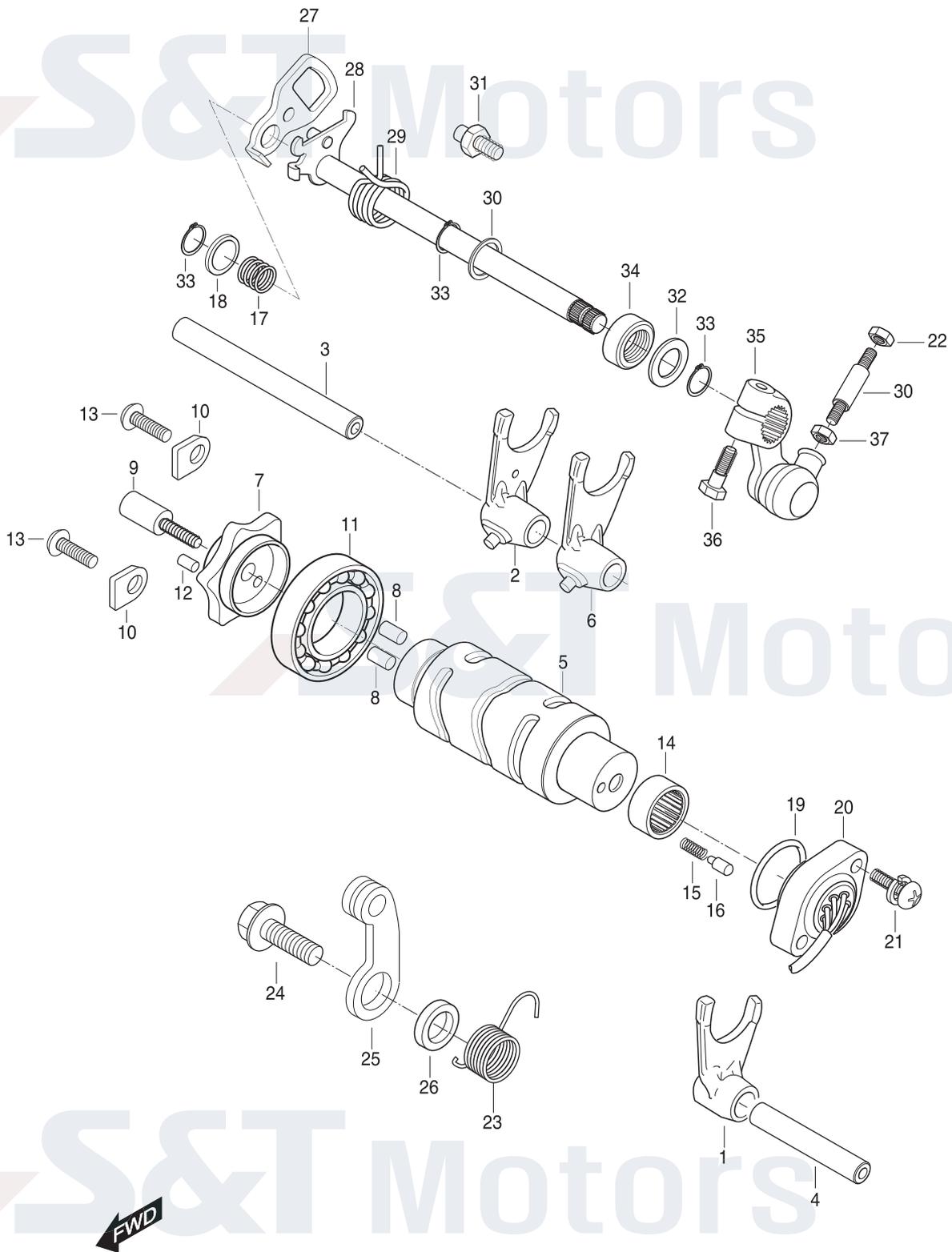


FIG 21

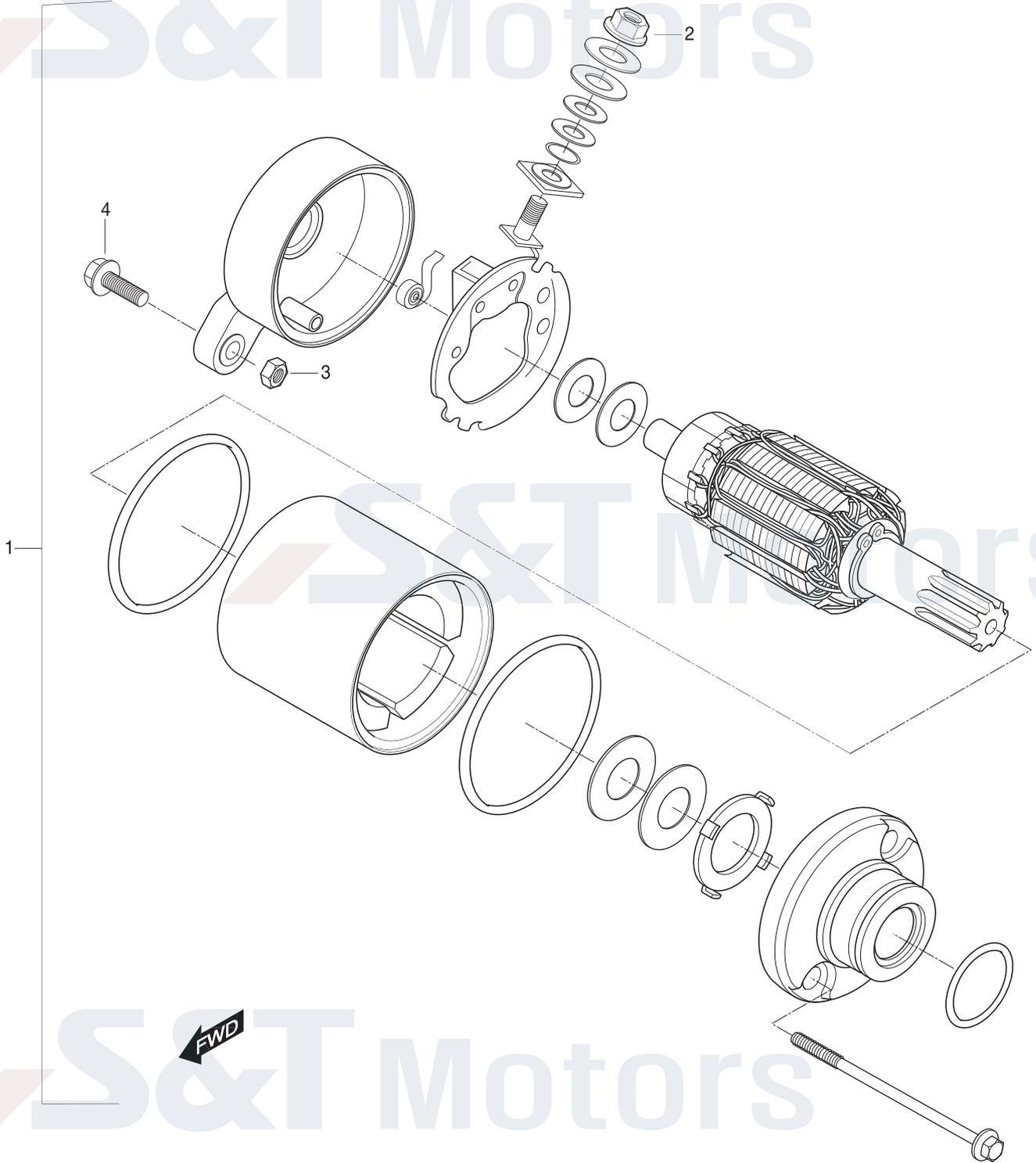
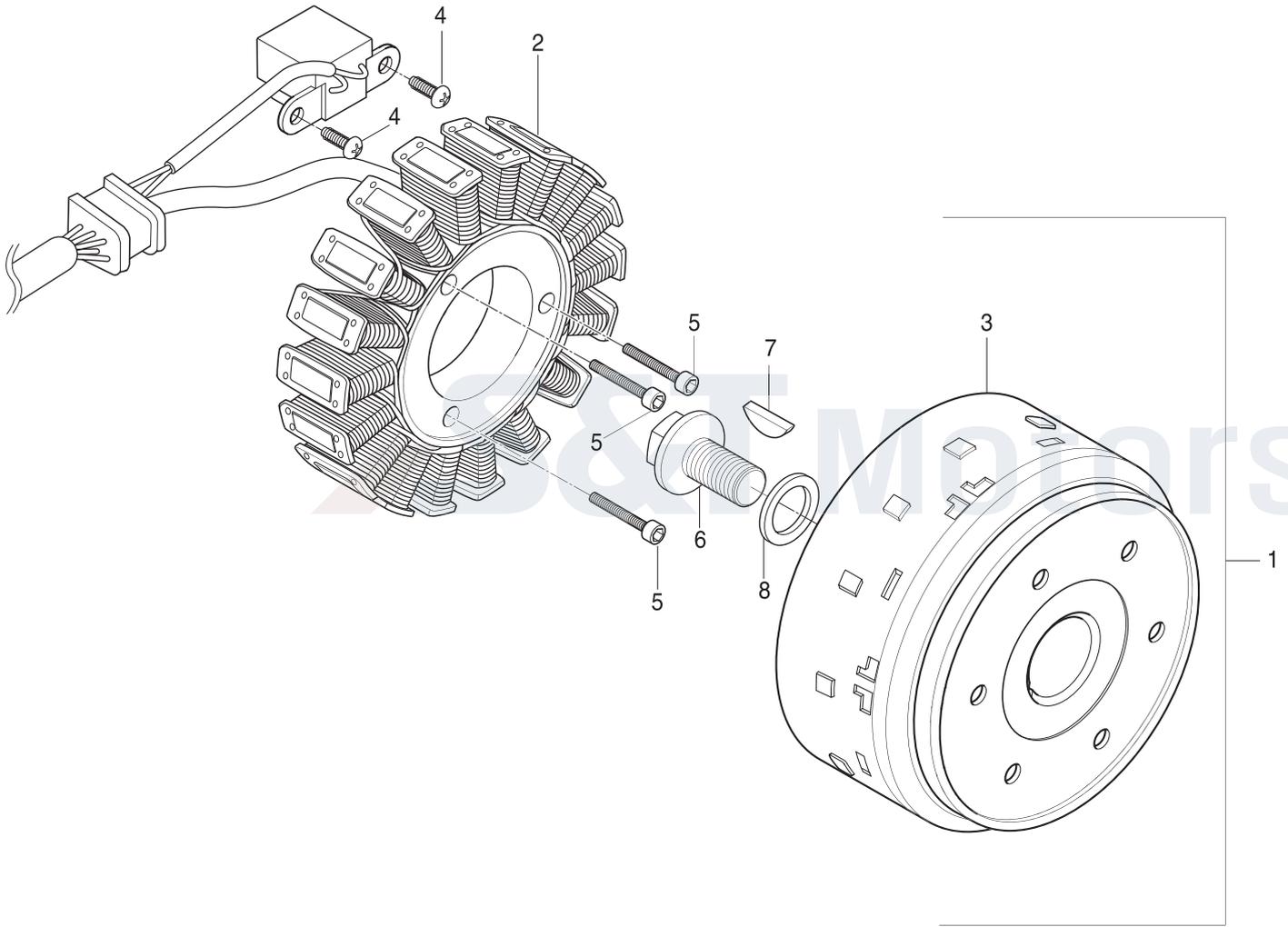


FIG 22

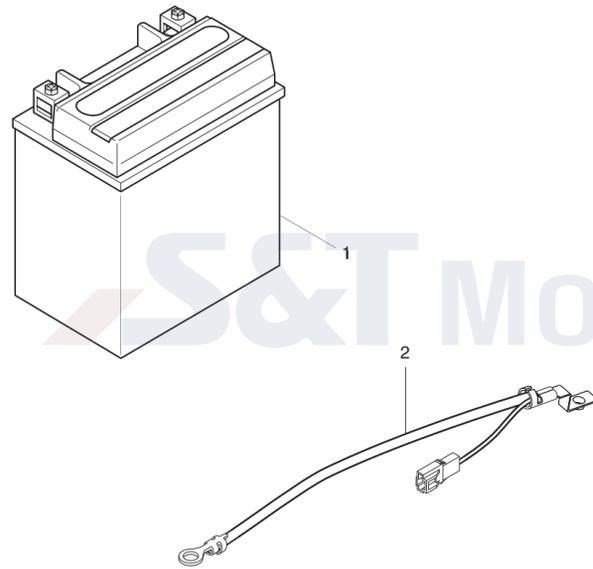
S&T Motors



S&T Motors

FIG 23

S&T Motors



S&T Motors



FIG 24

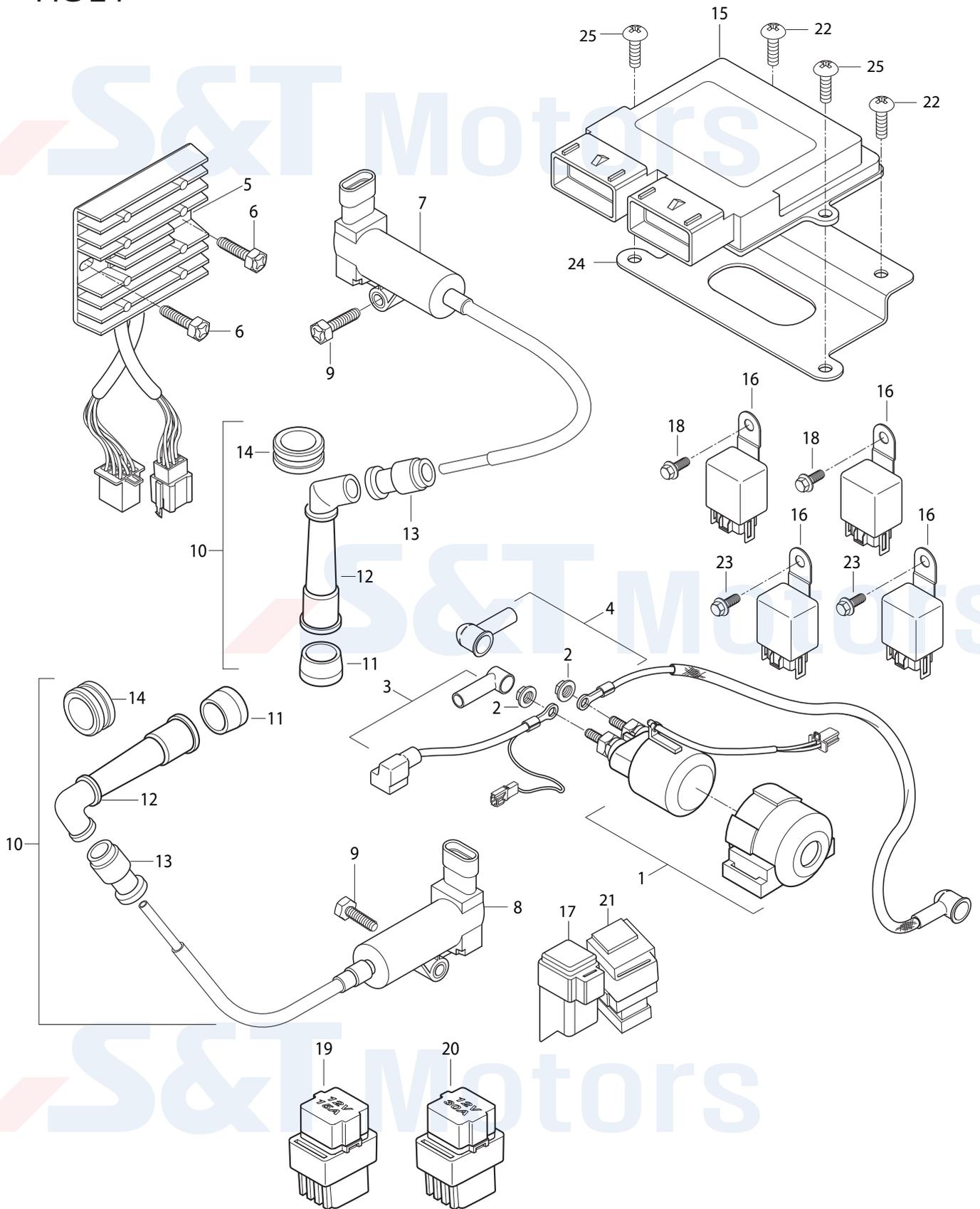


FIG 25

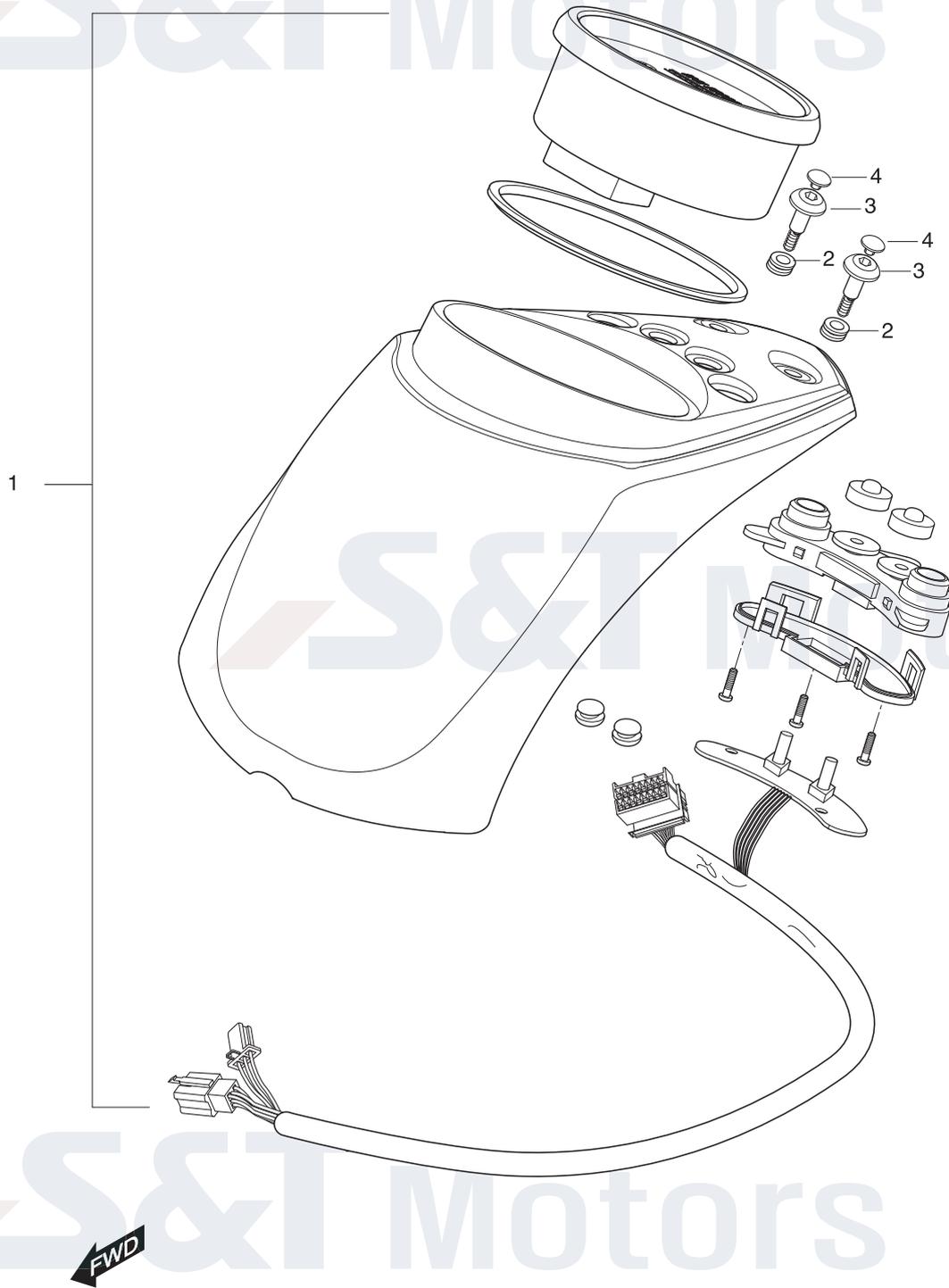
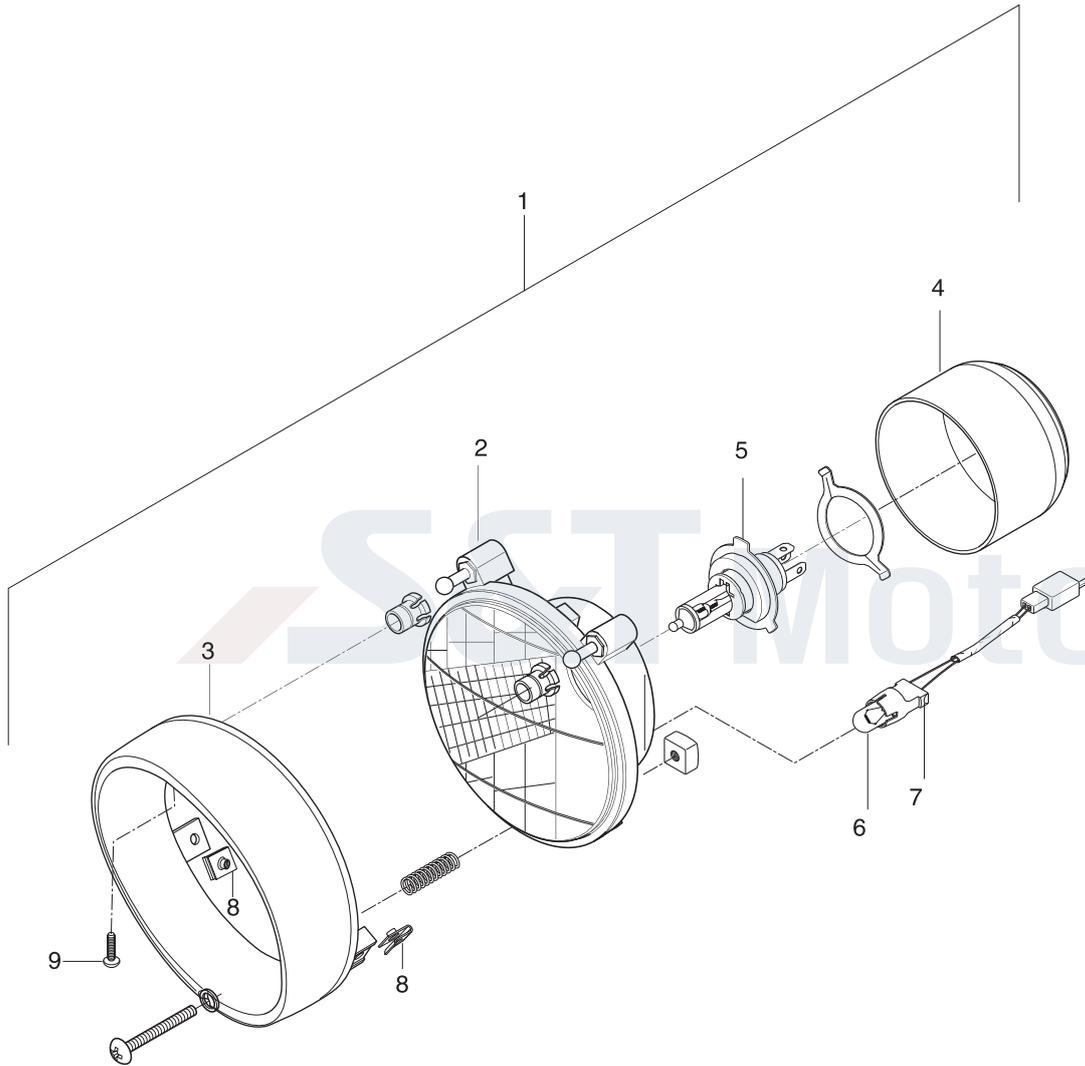


FIG.26

S&T Motors



S&T Motors



FIG.27

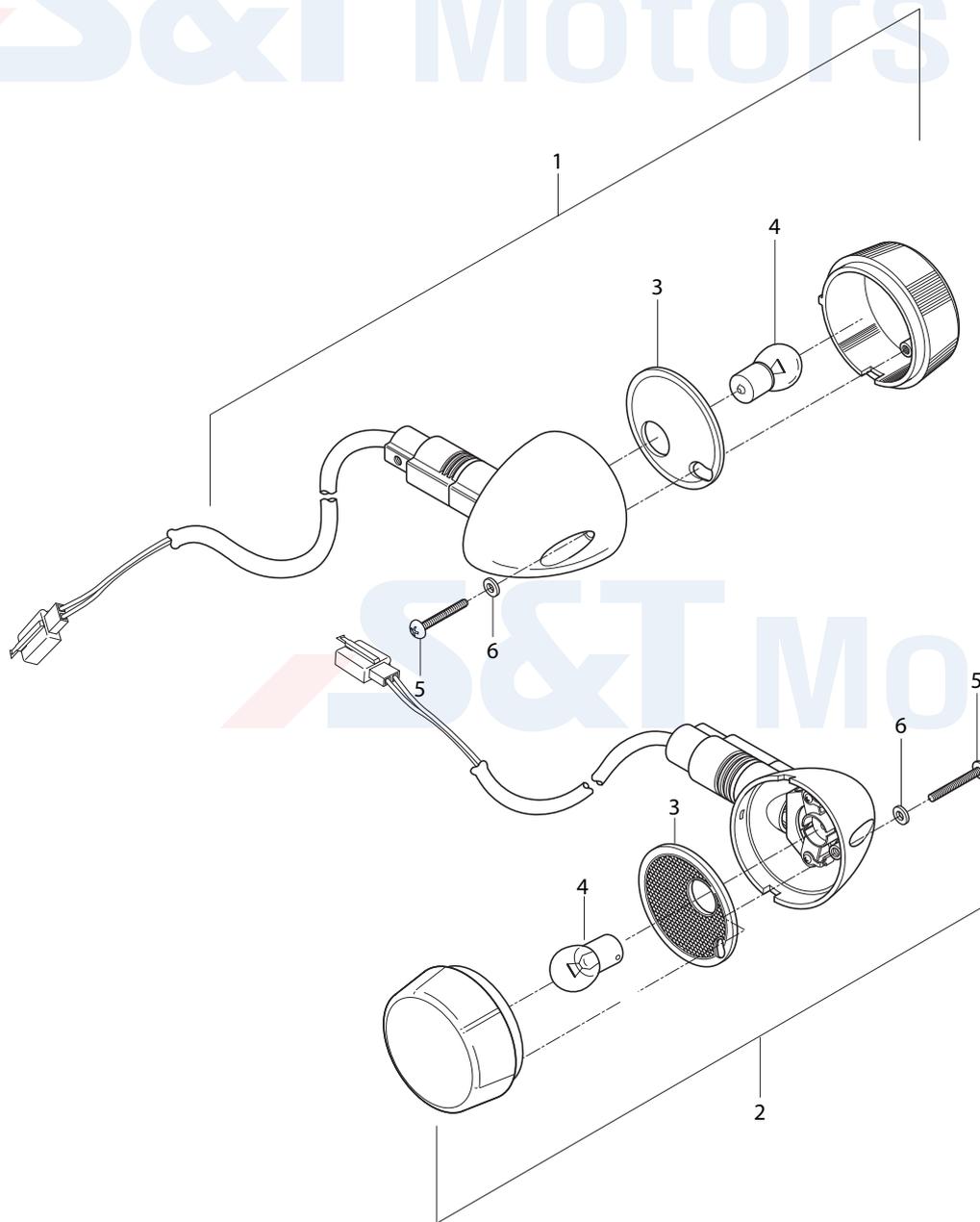
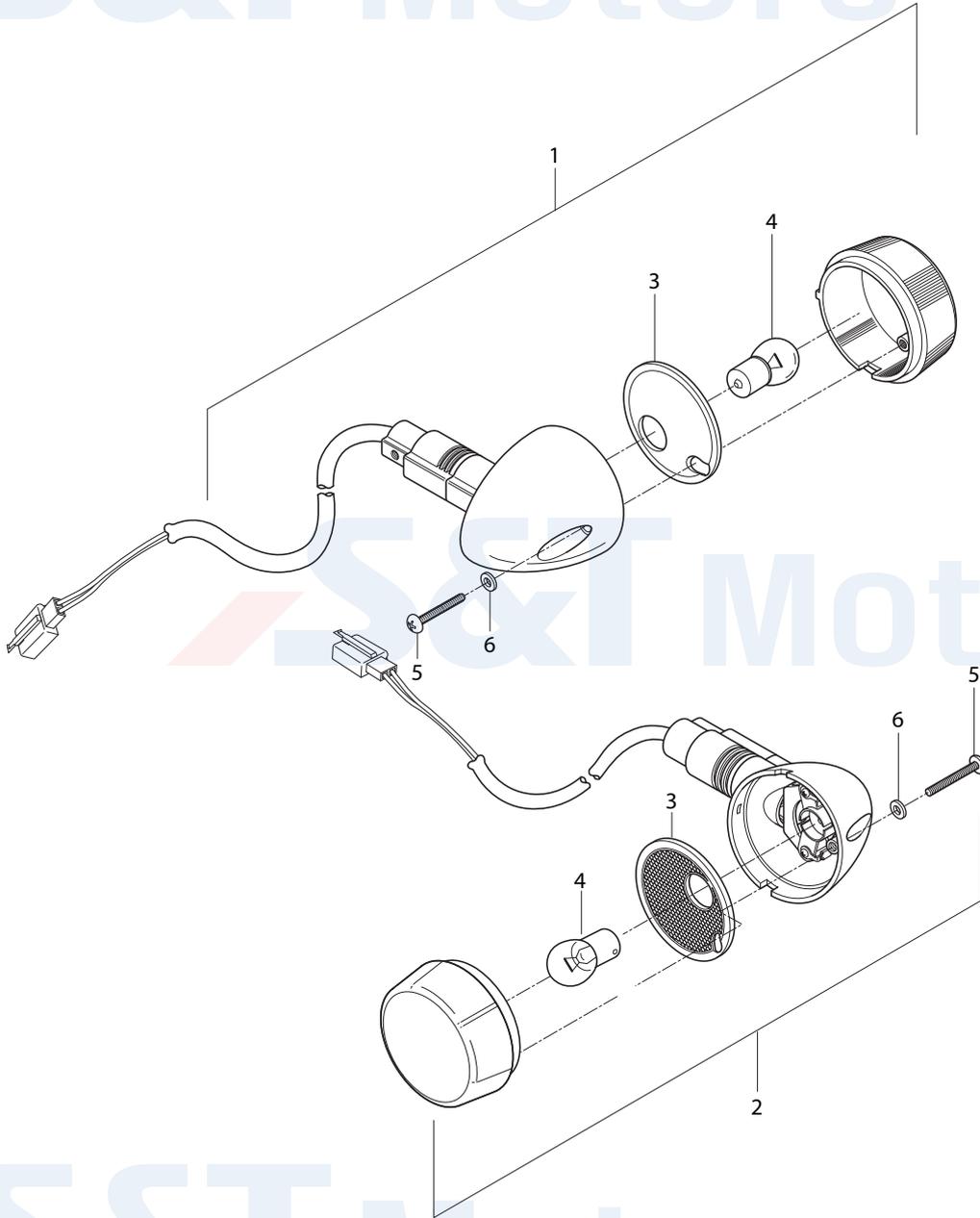


FIG.27-1

S&T Motors



S&T Motors

S&T Motors

FIG.28

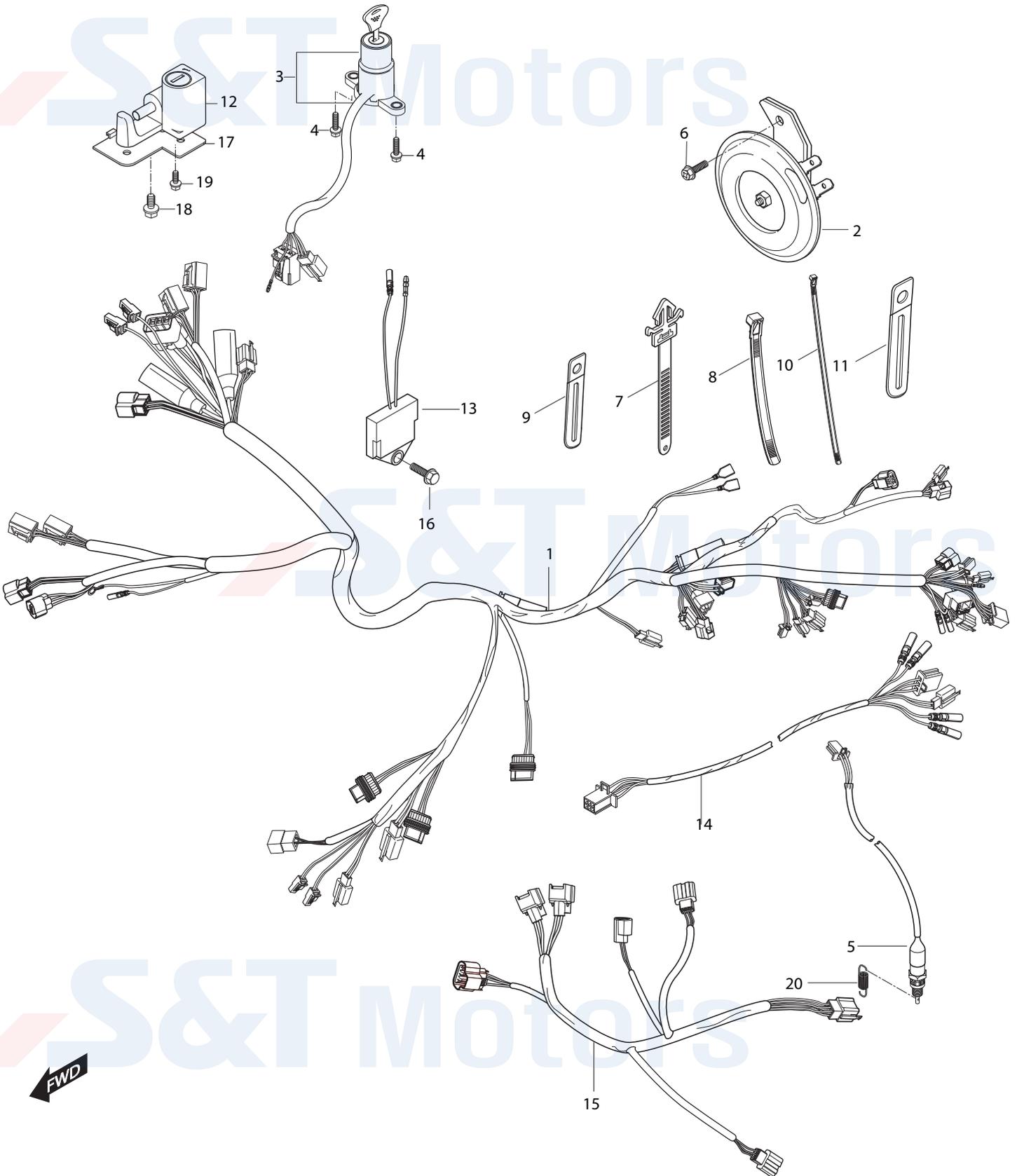
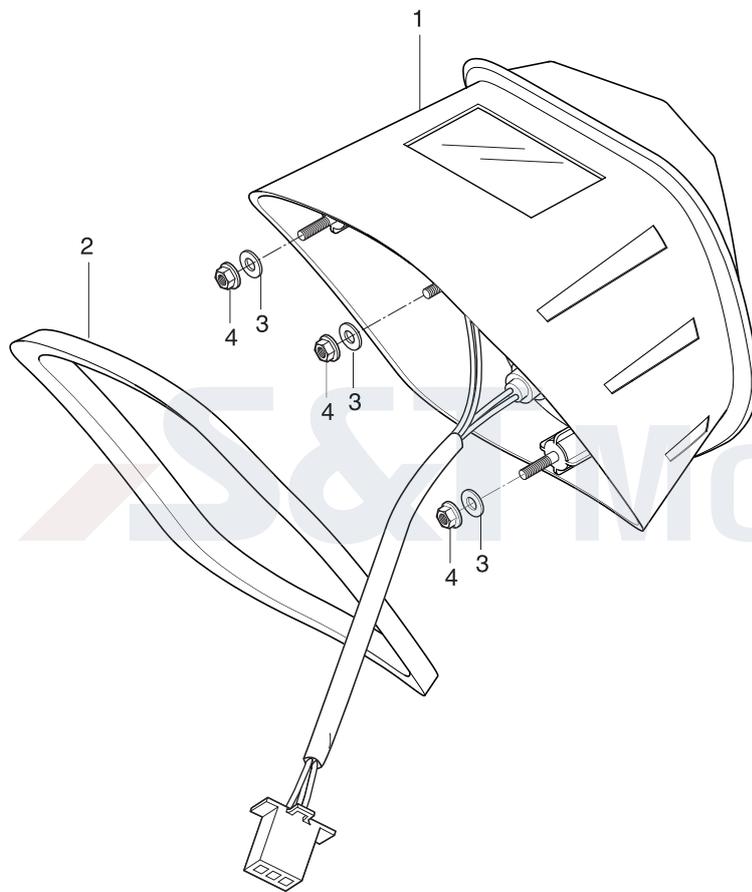


FIG 29

S&T Motors



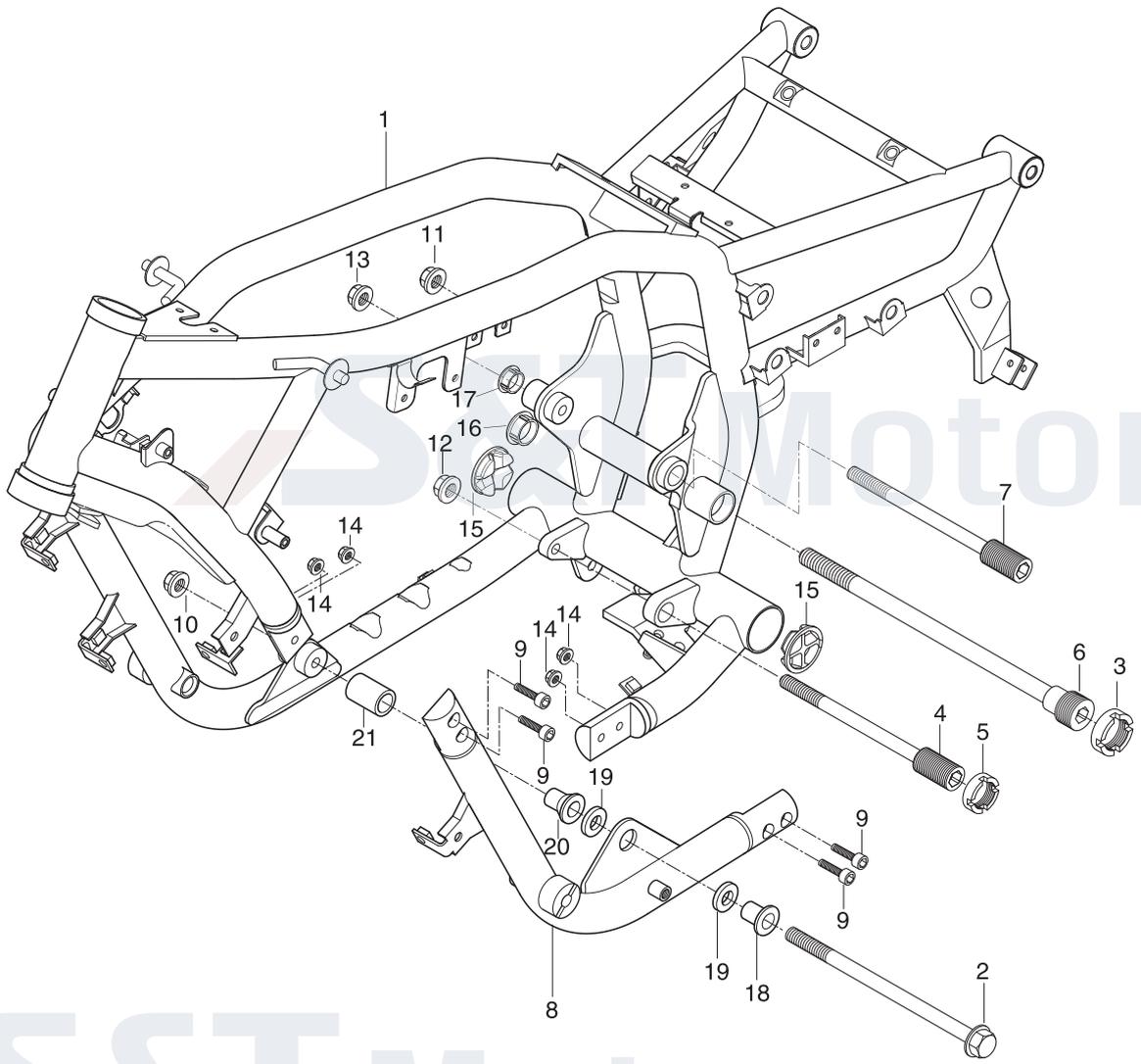
S&T Motors

S&T Motors



FIG 30

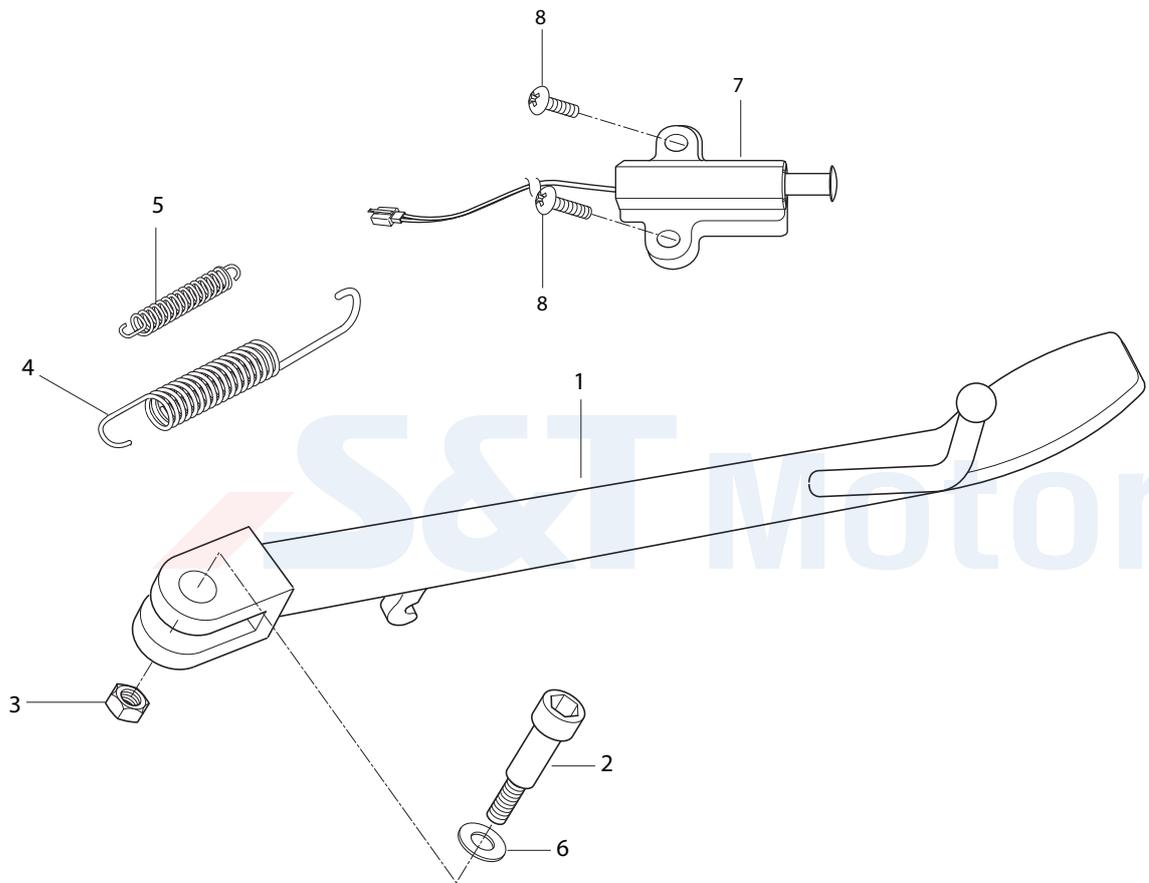
S&T Motors



S&T Motors

FIG 31

S&T Motors

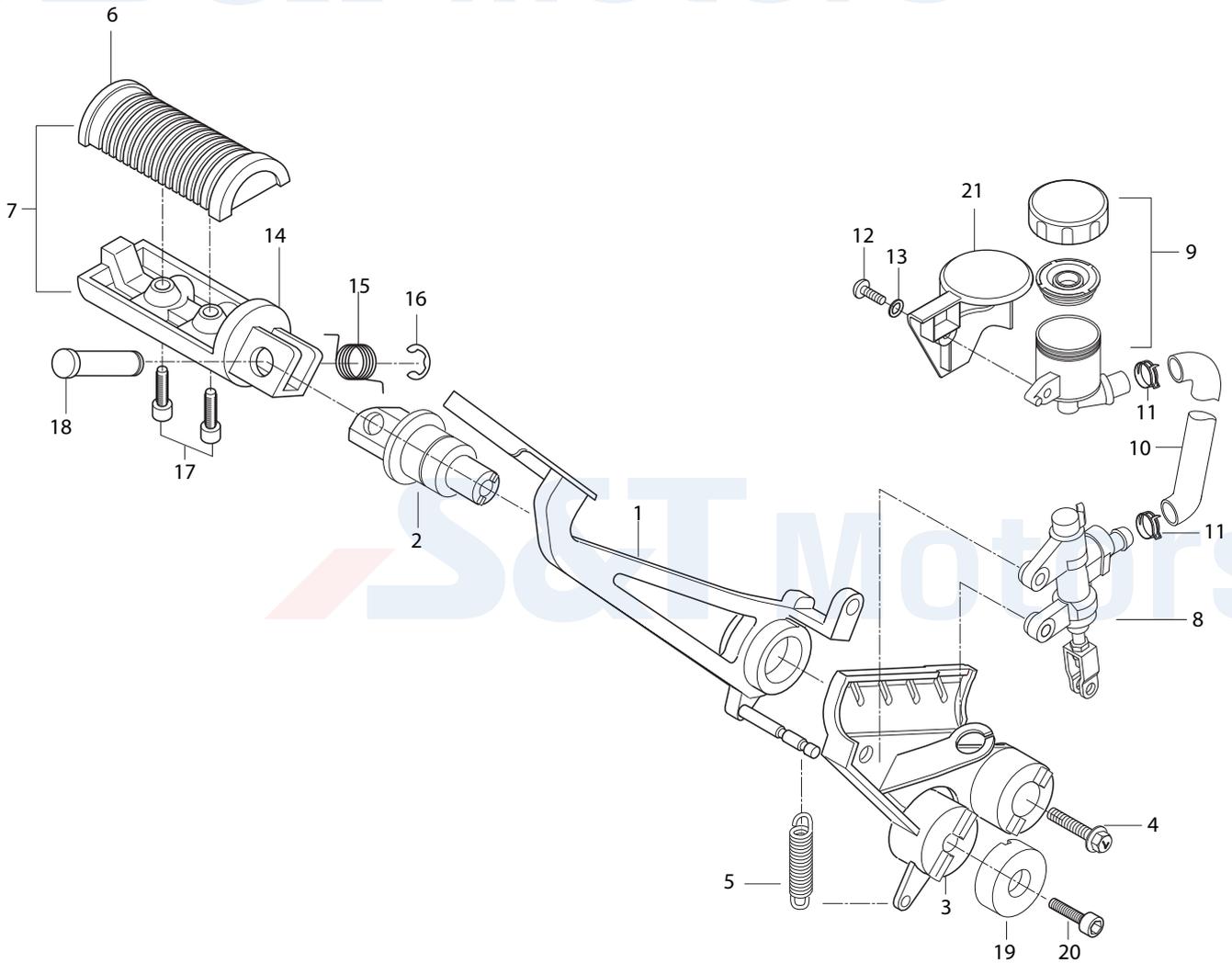


S&T Motors

FWD

FIG 32

S&T Motors



S&T Motors



FIG 33

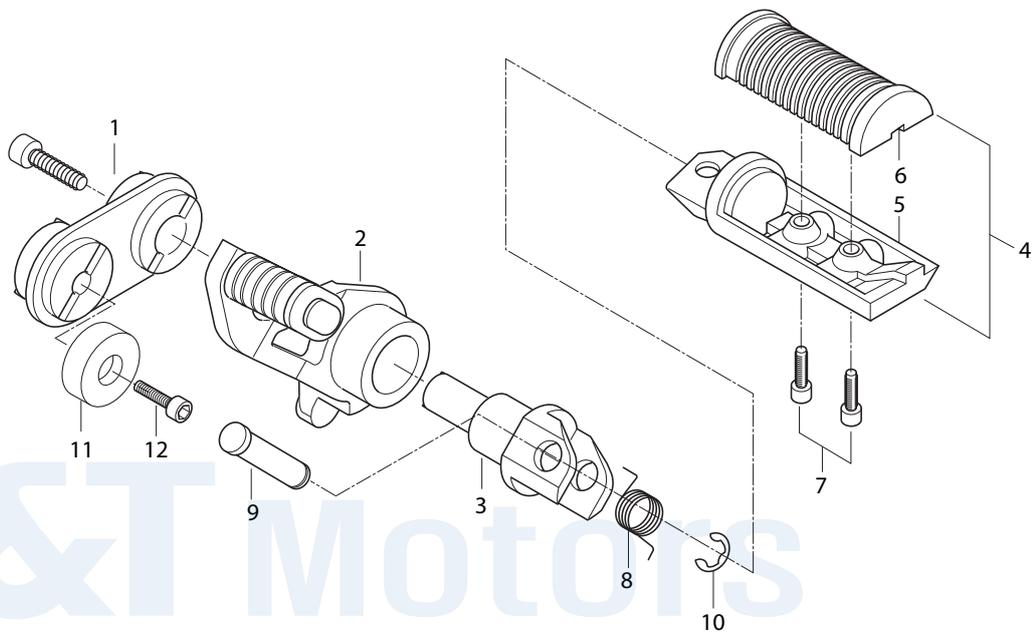
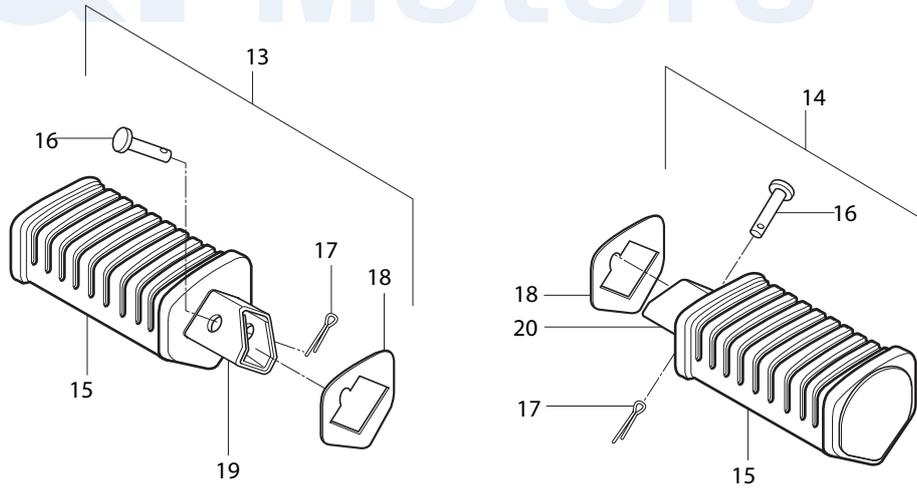
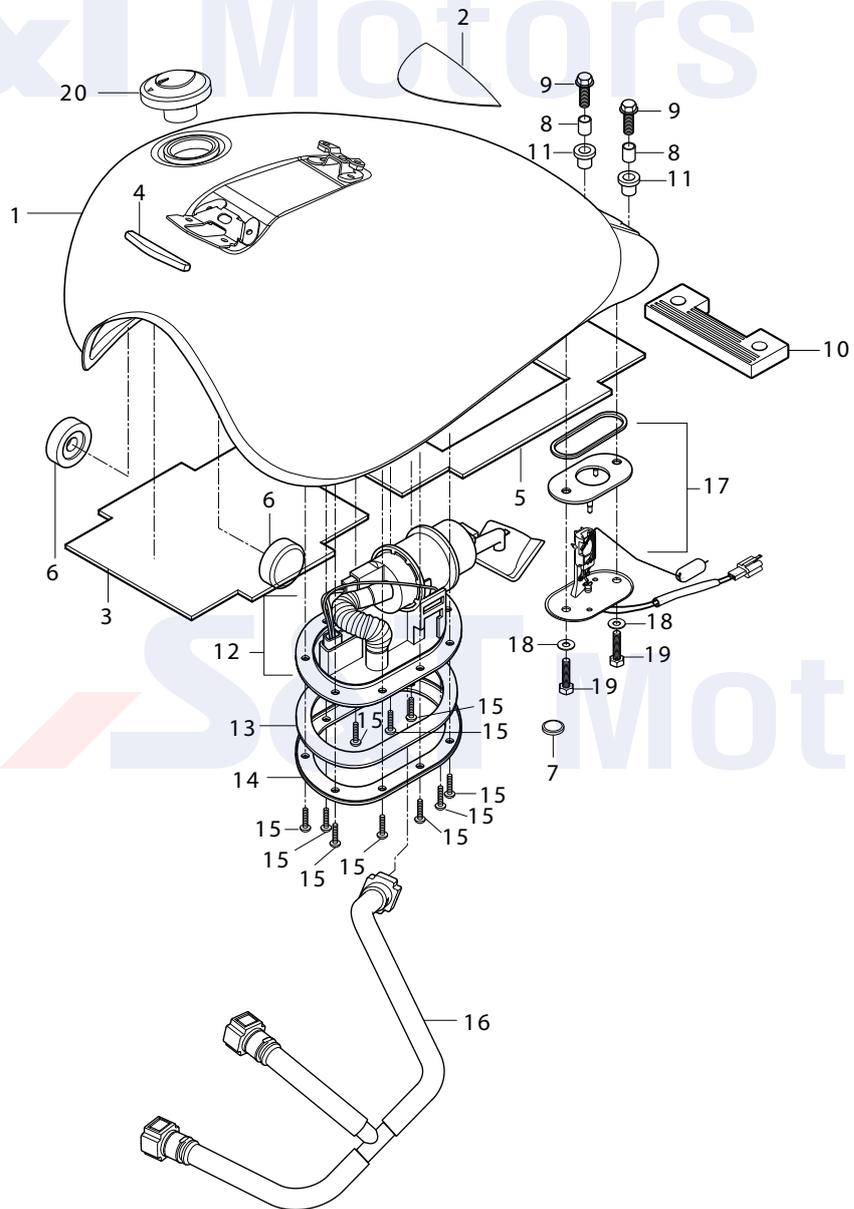


FIG 34



FWD

FIG 35

S&T Motors

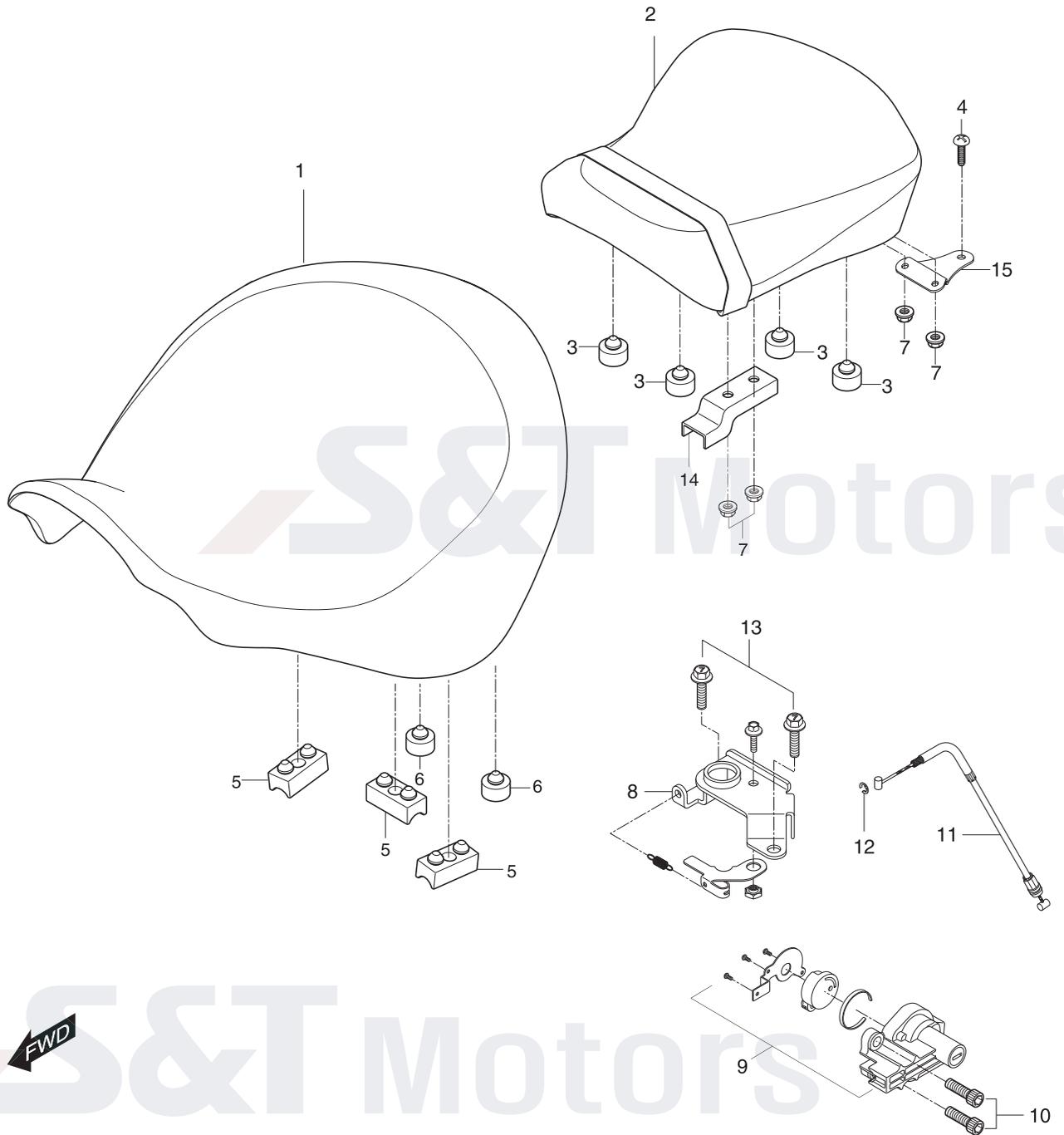


FIG 36

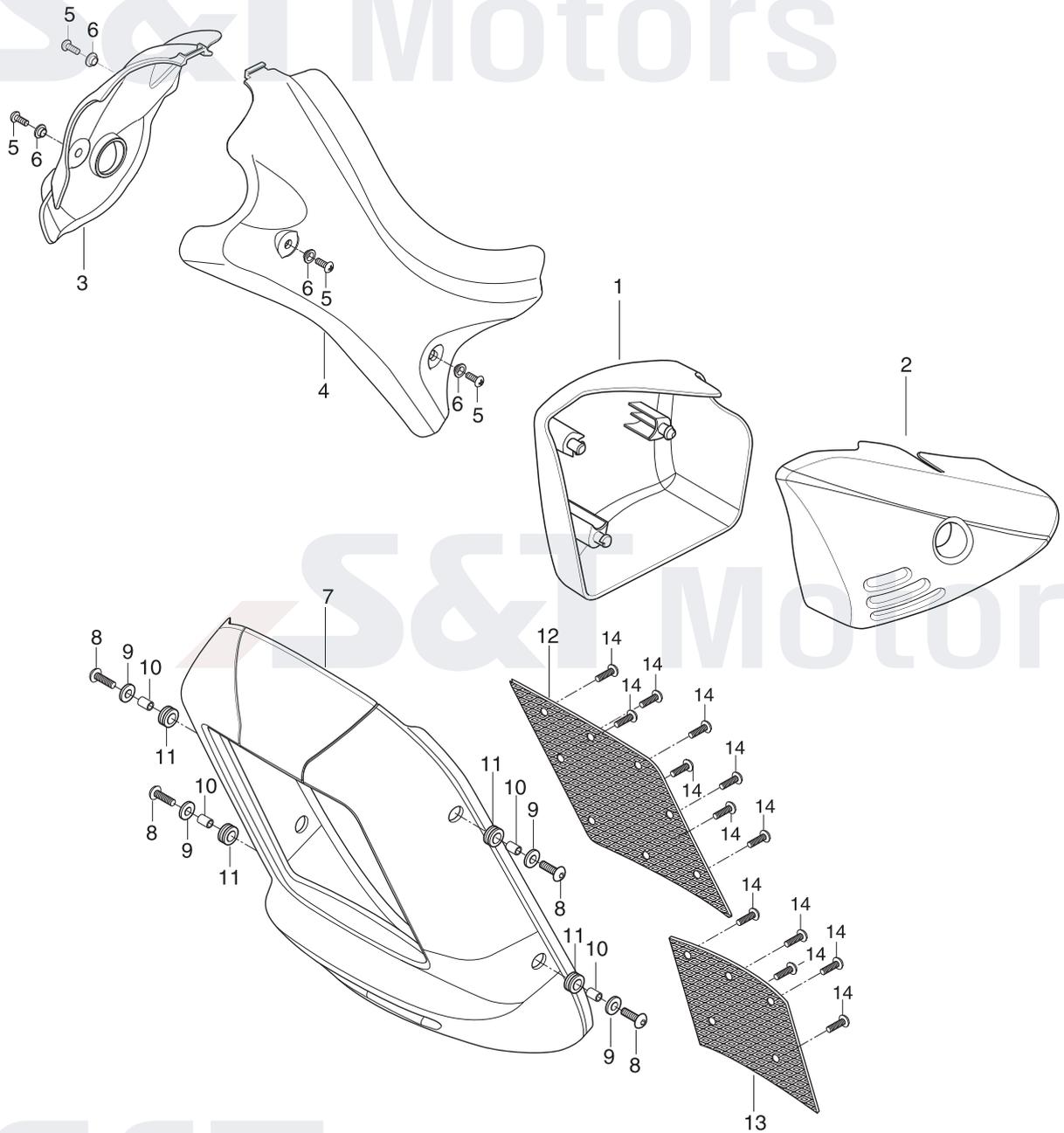


FIG 37

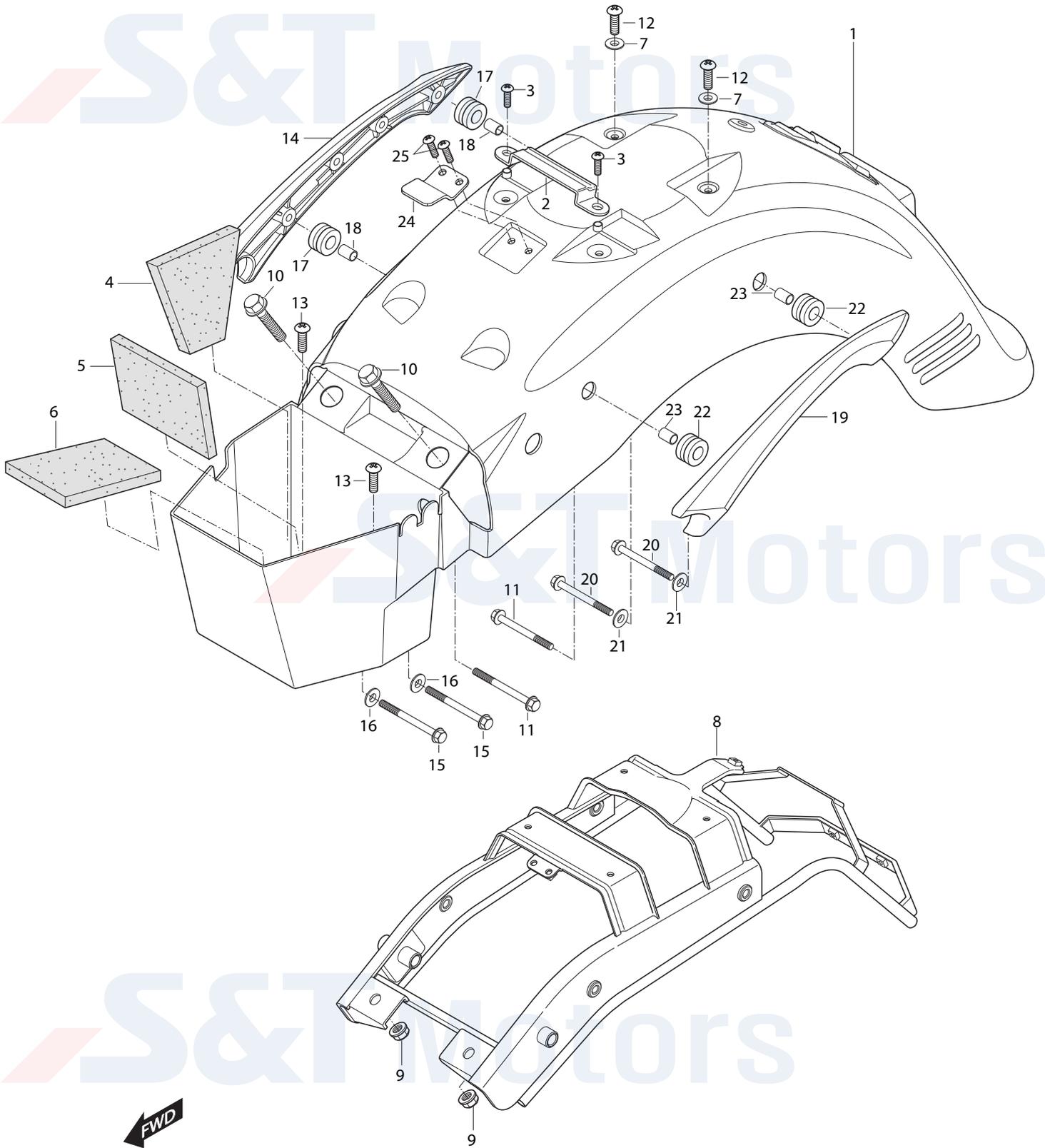


FIG 38

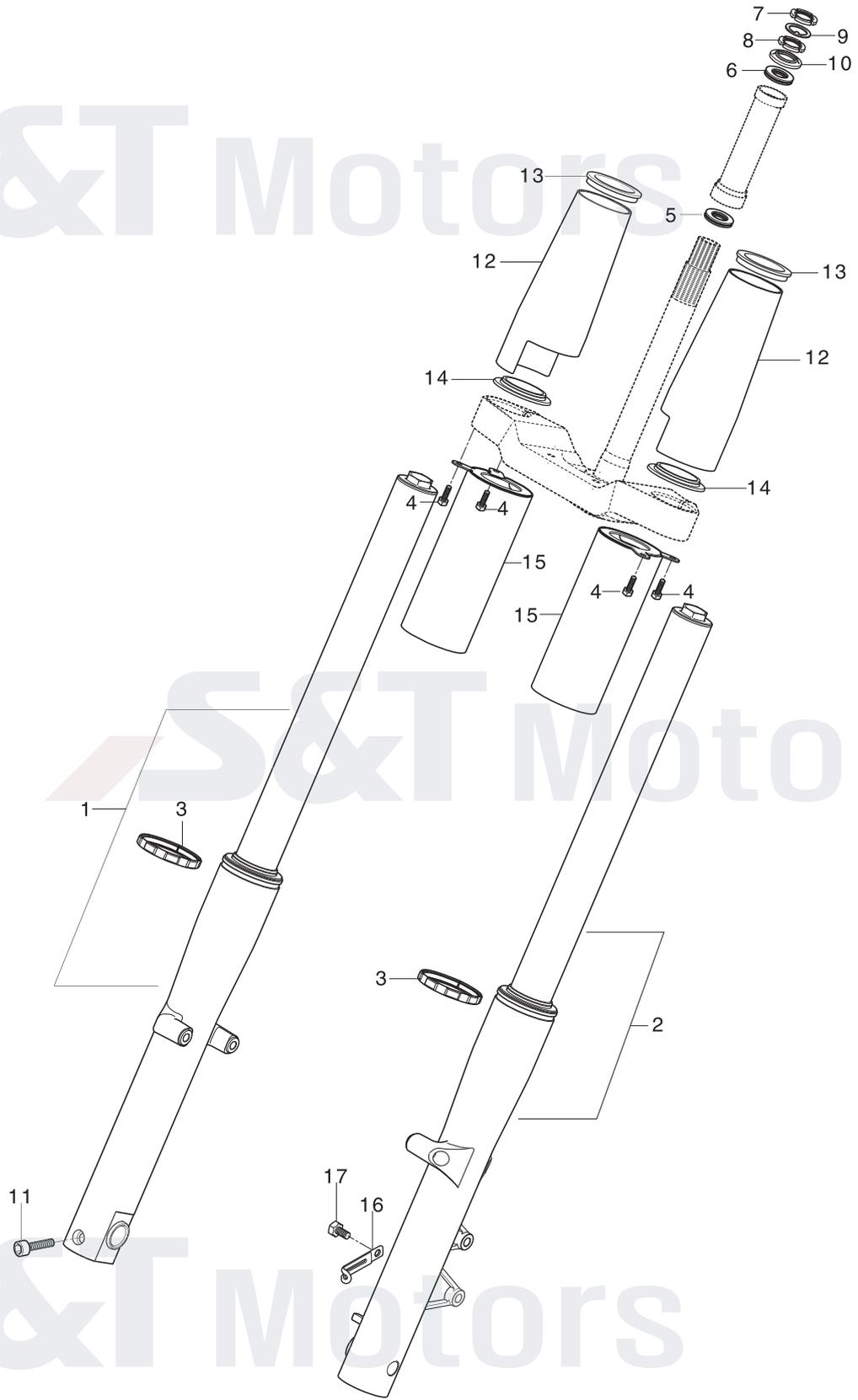


FIG 39

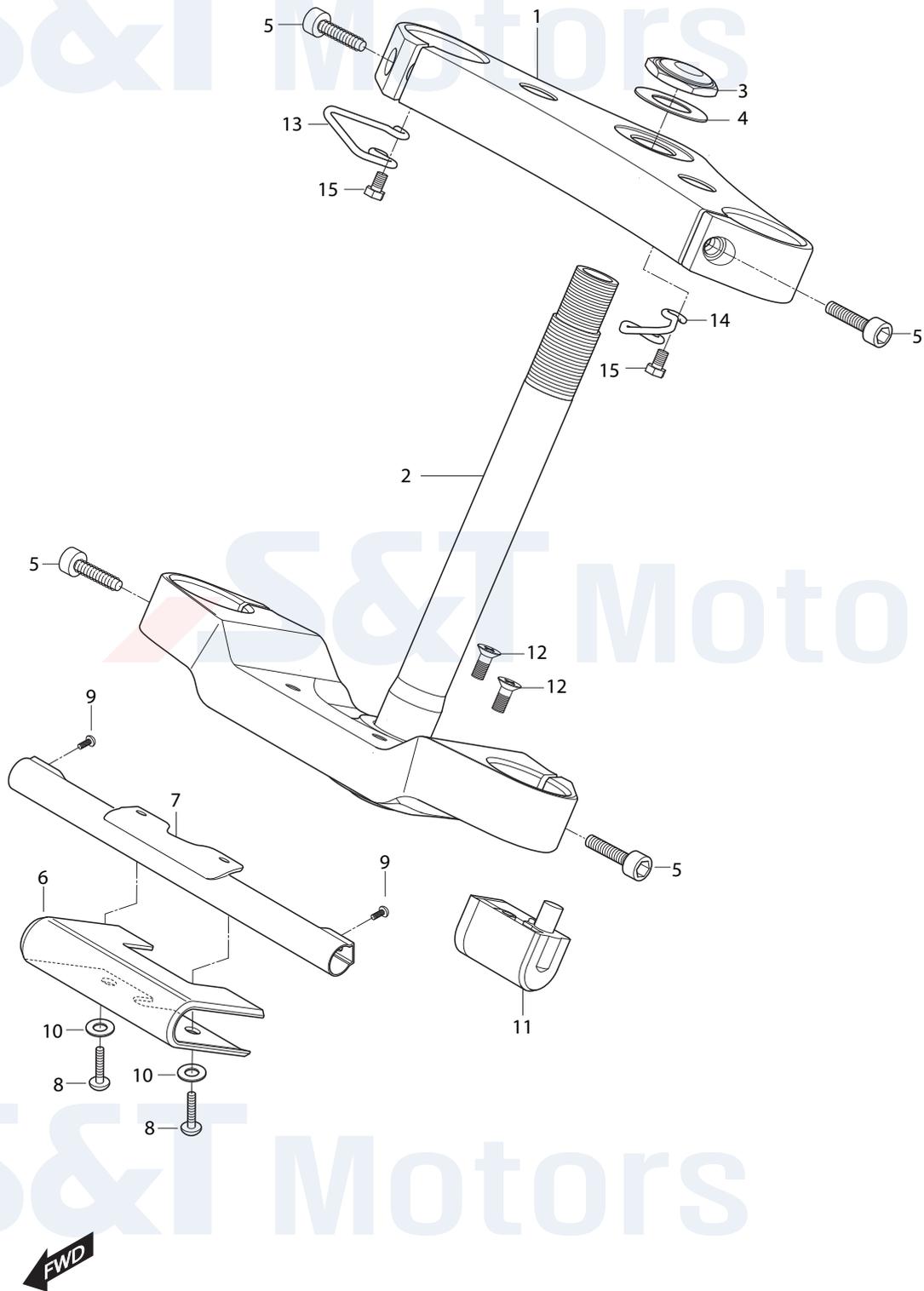


FIG 40

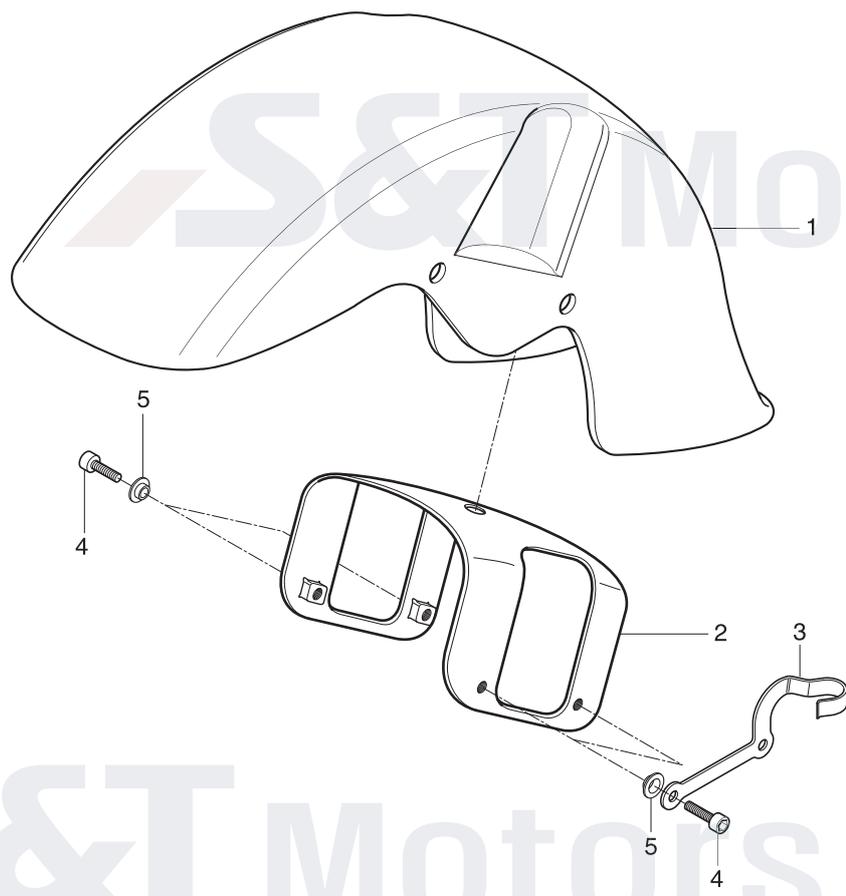
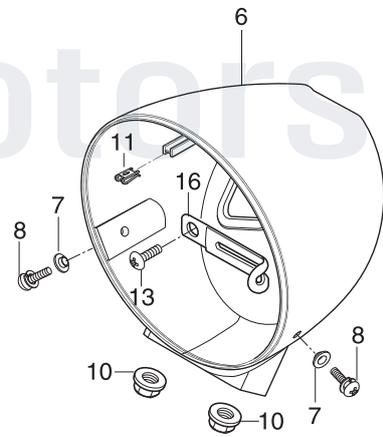
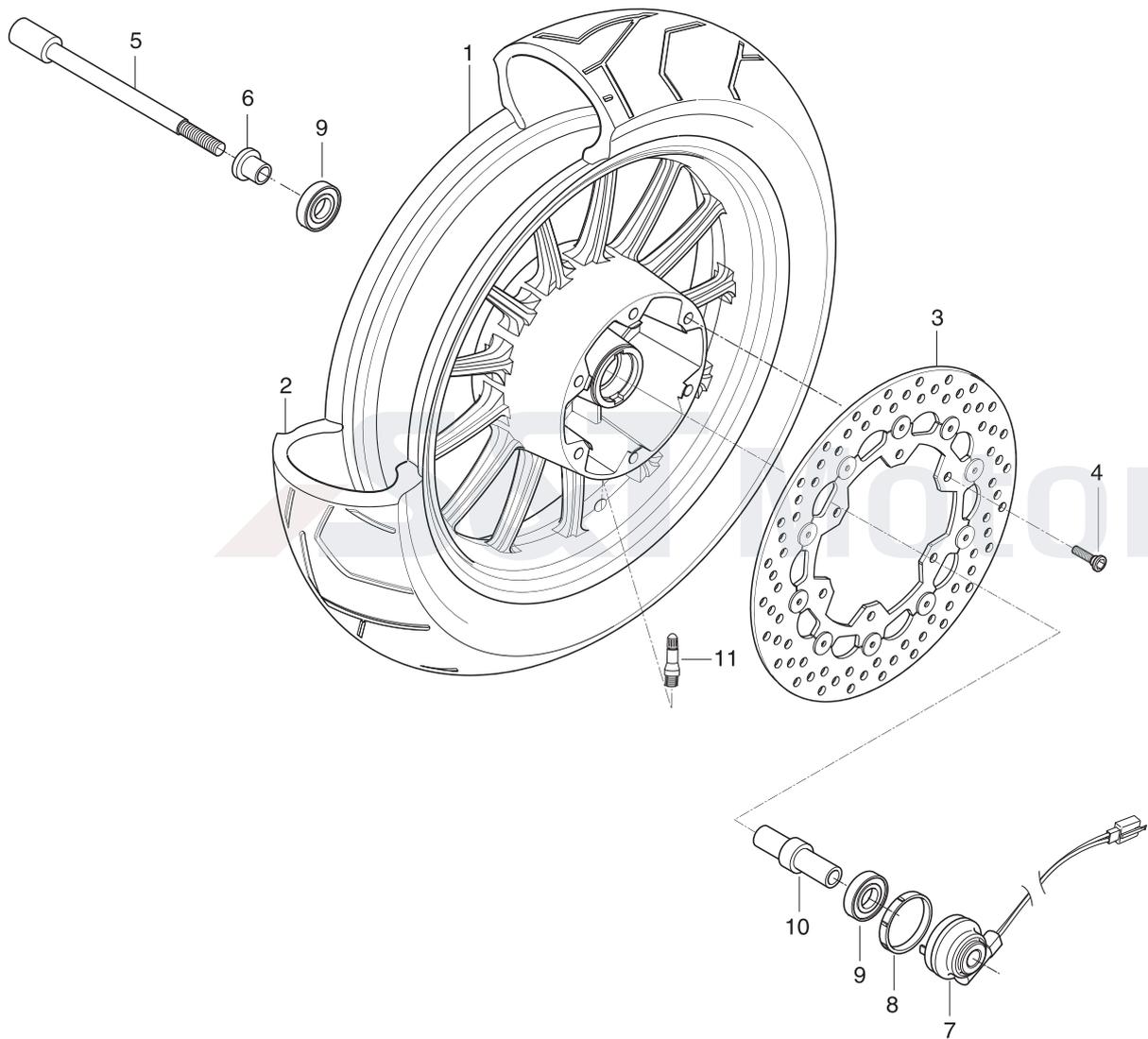


FIG 41

S&T Motors



S&T Motors



FIG 43

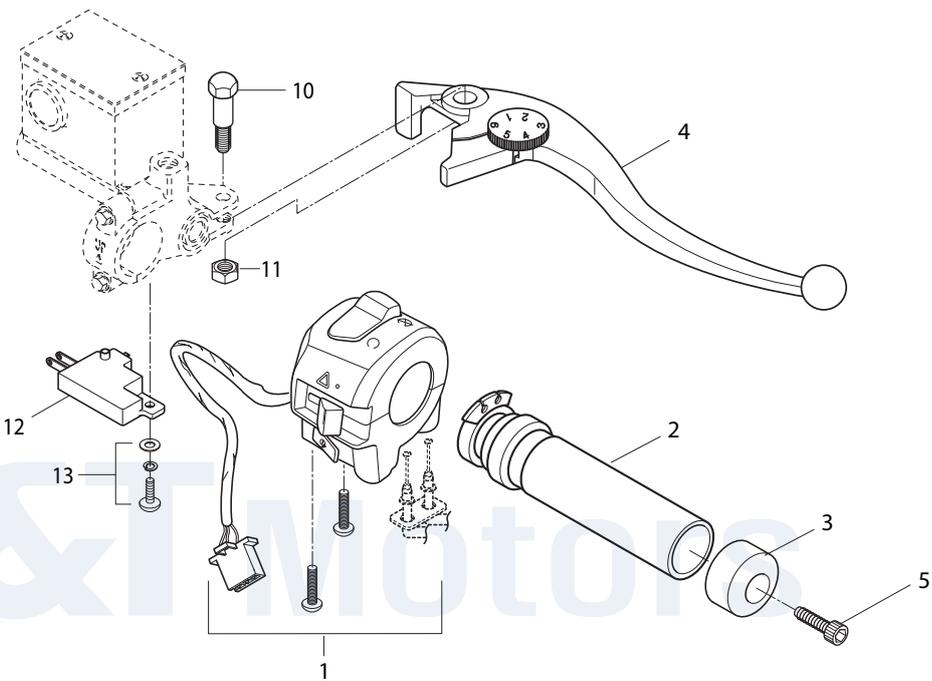
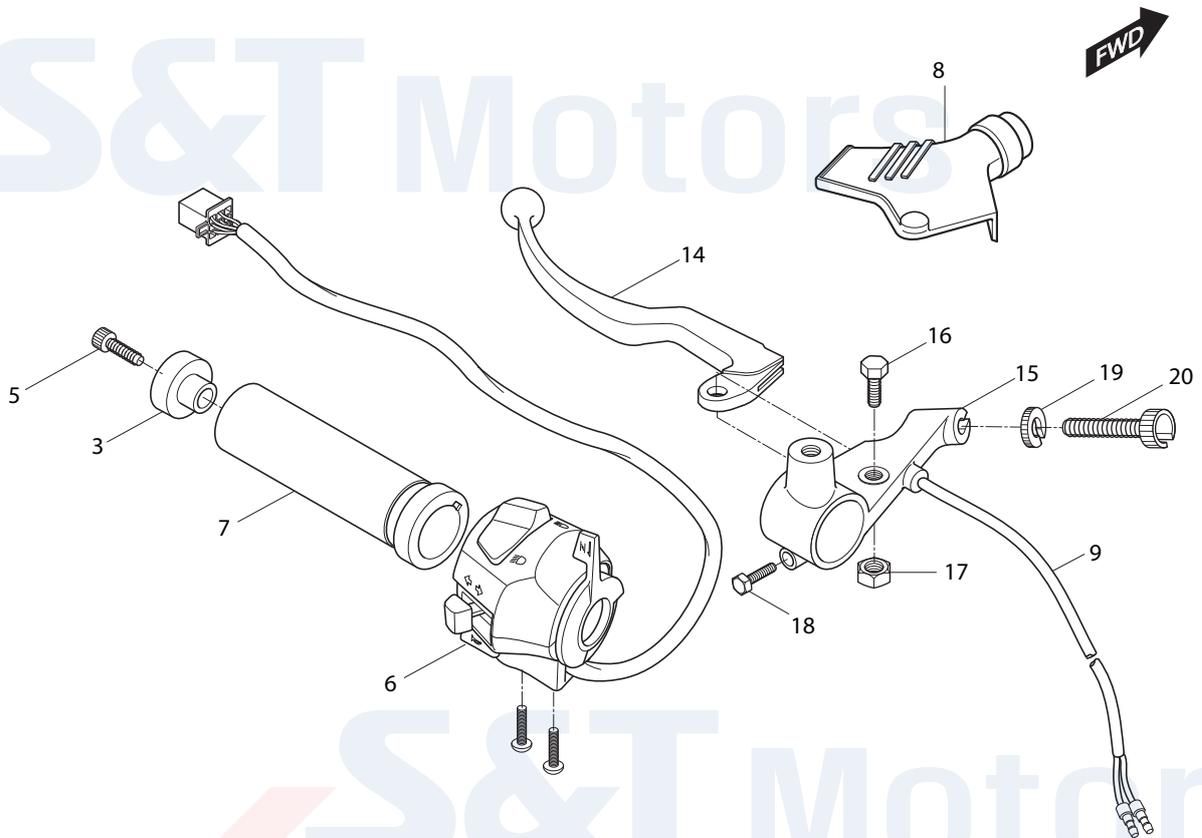
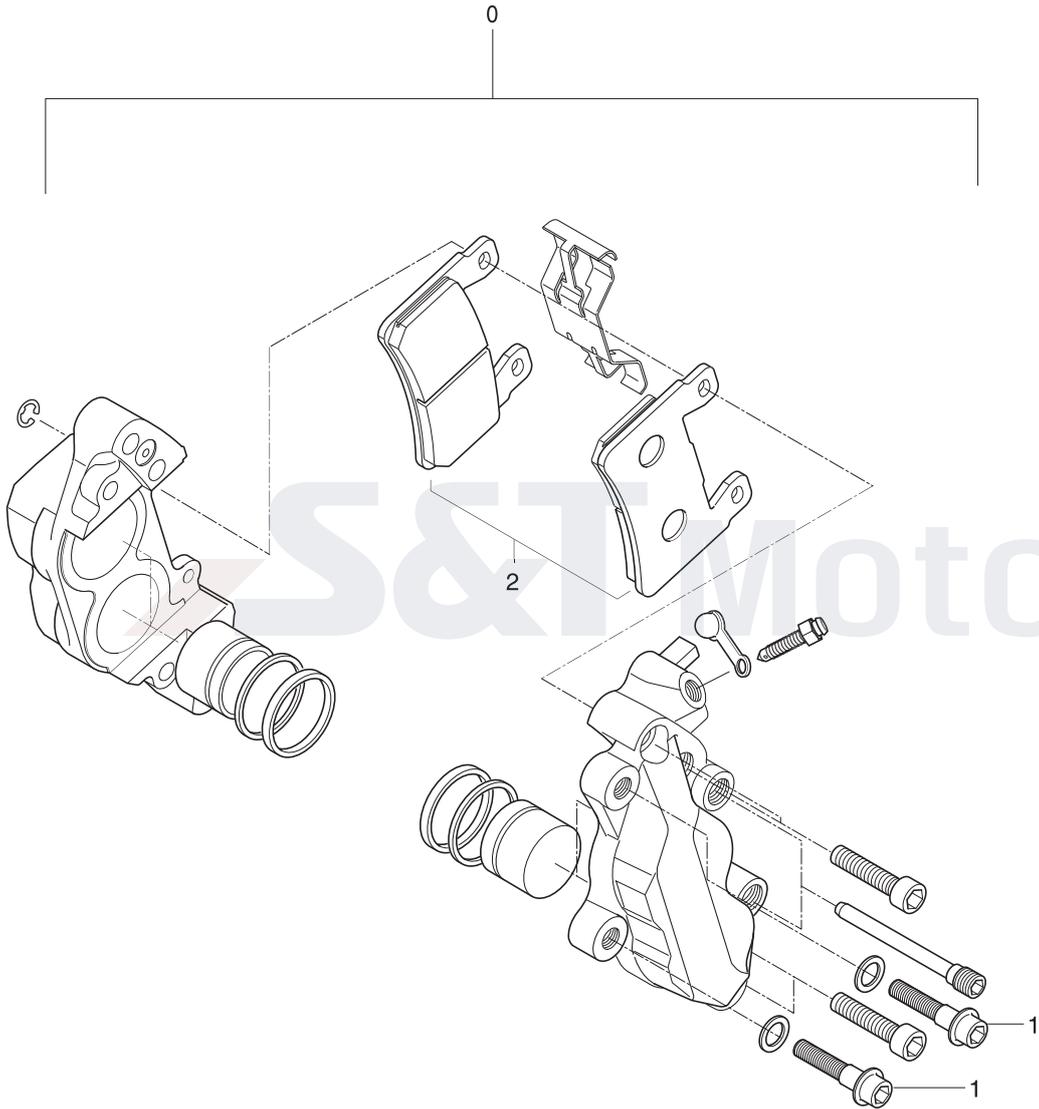


FIG 44

S&T Motors

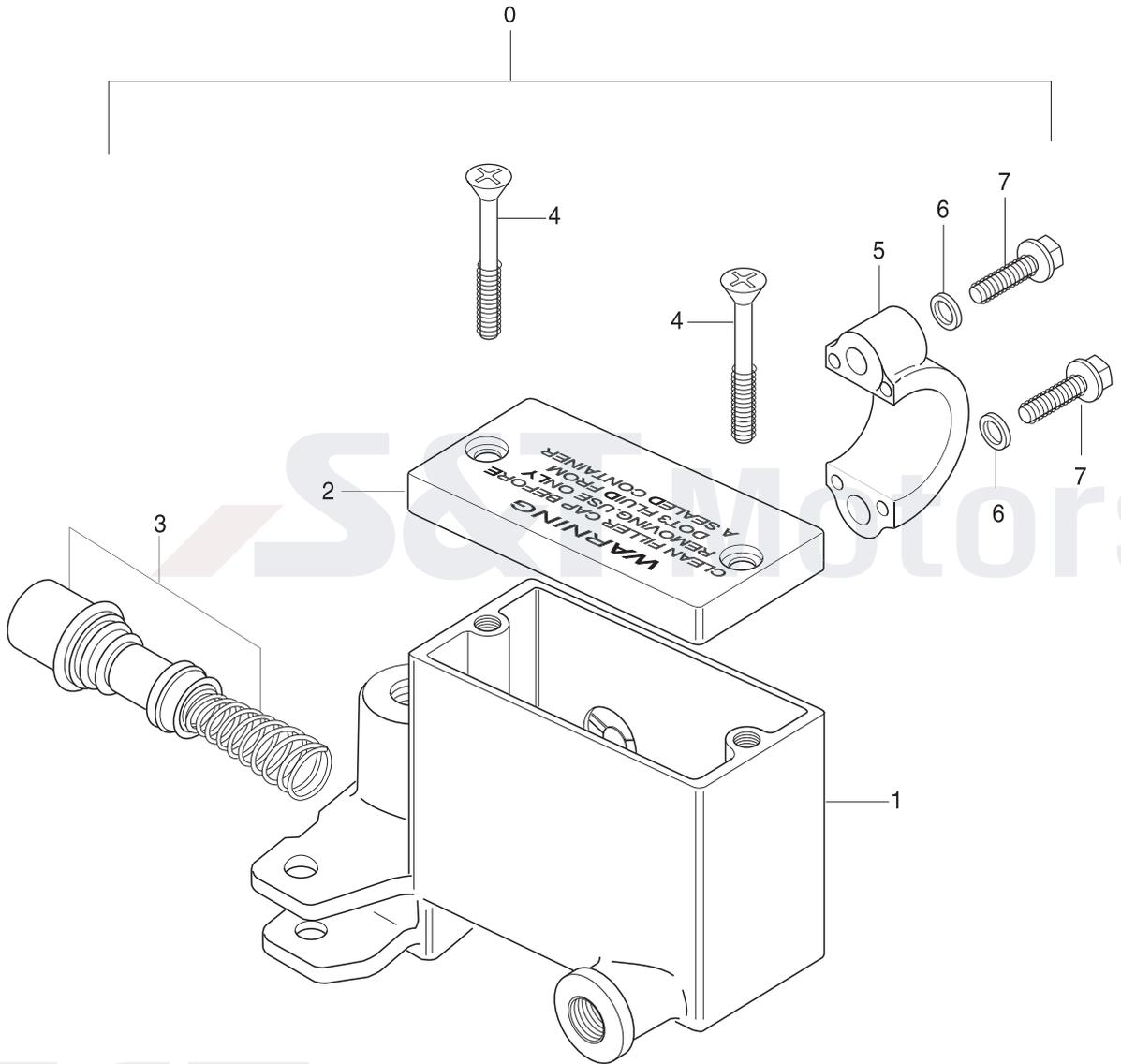


S&T Motors

FWD

FIG.45

S&T Motors



S&T Motors

FWD

FIG.46

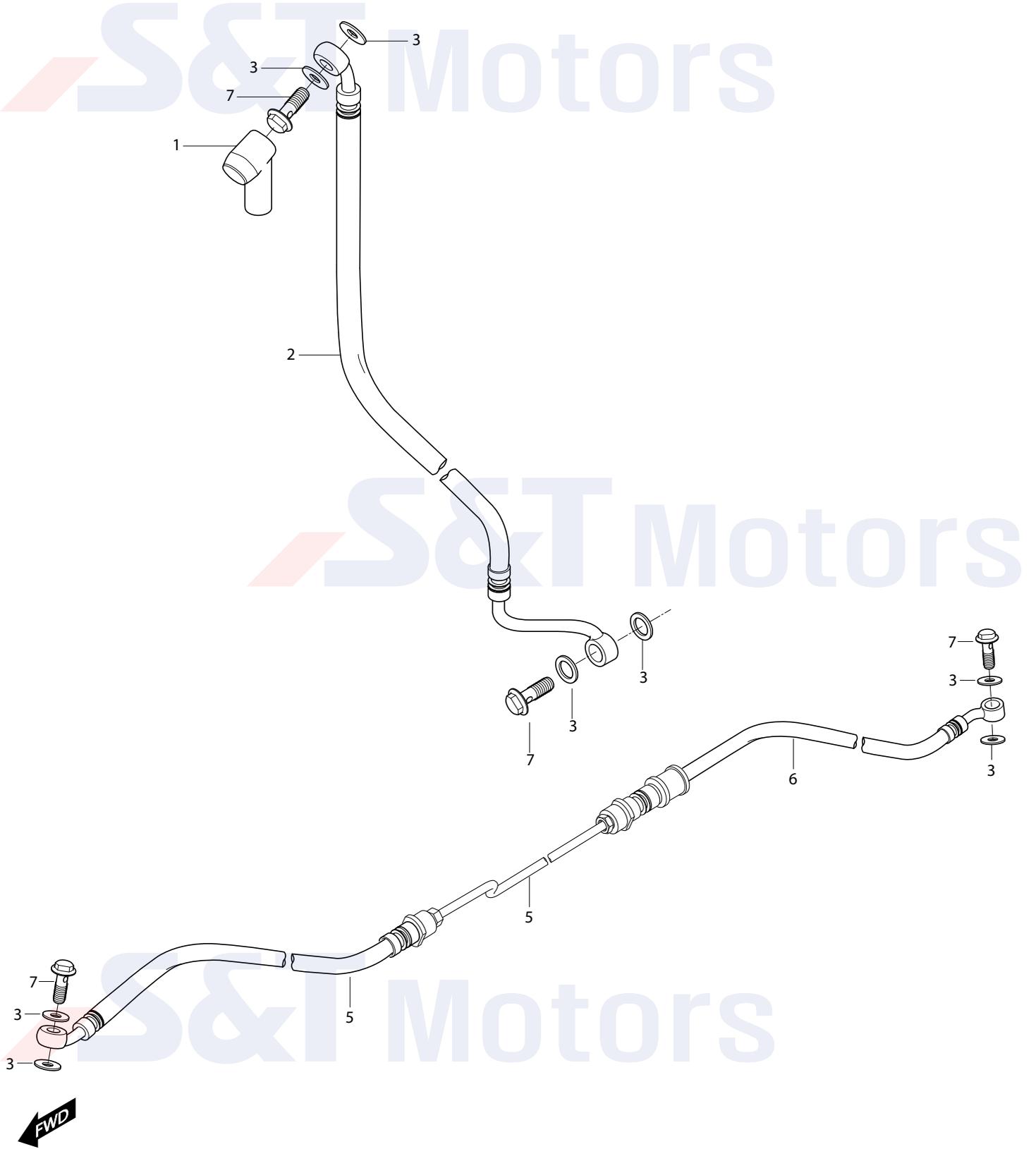


FIG 47

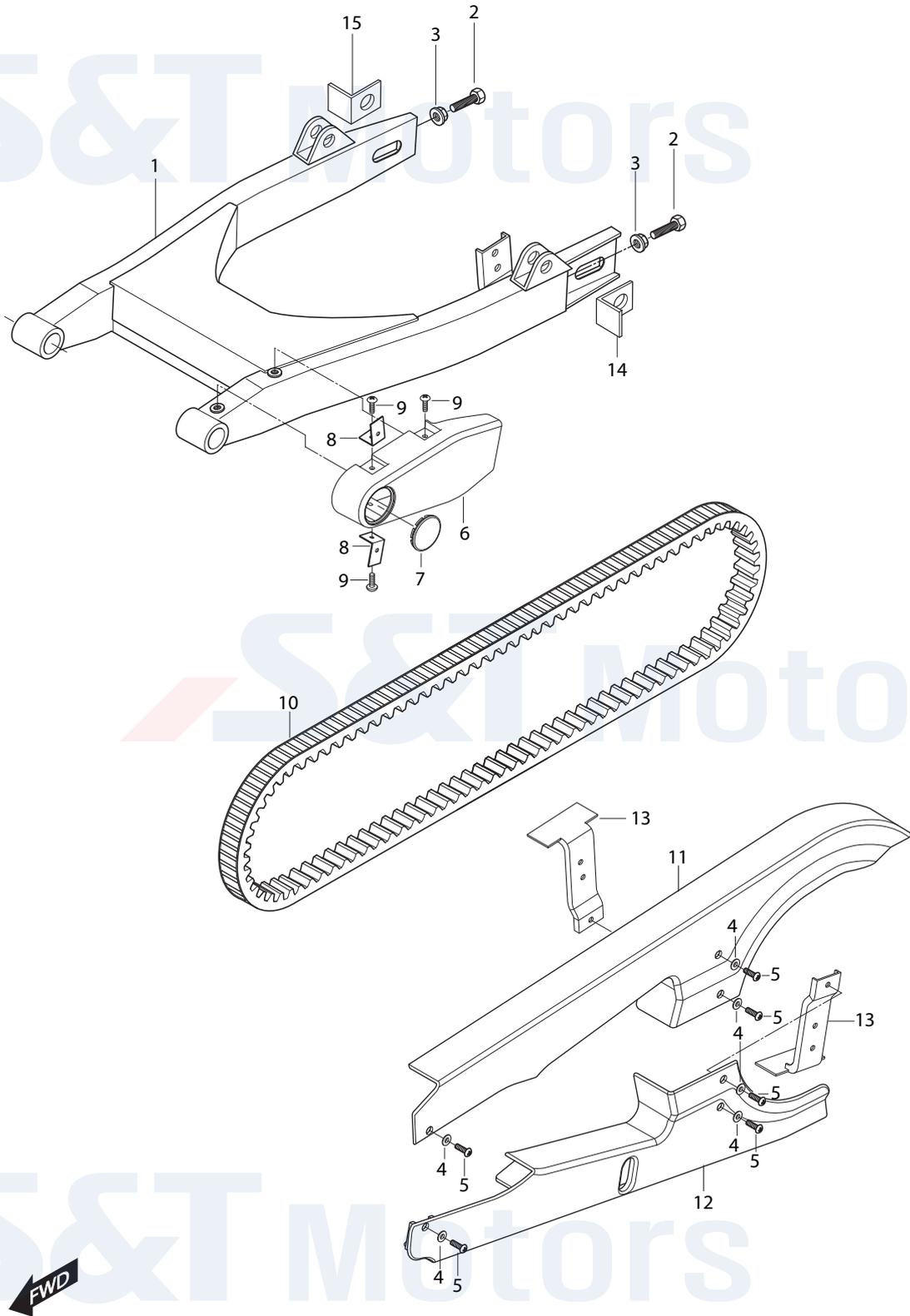
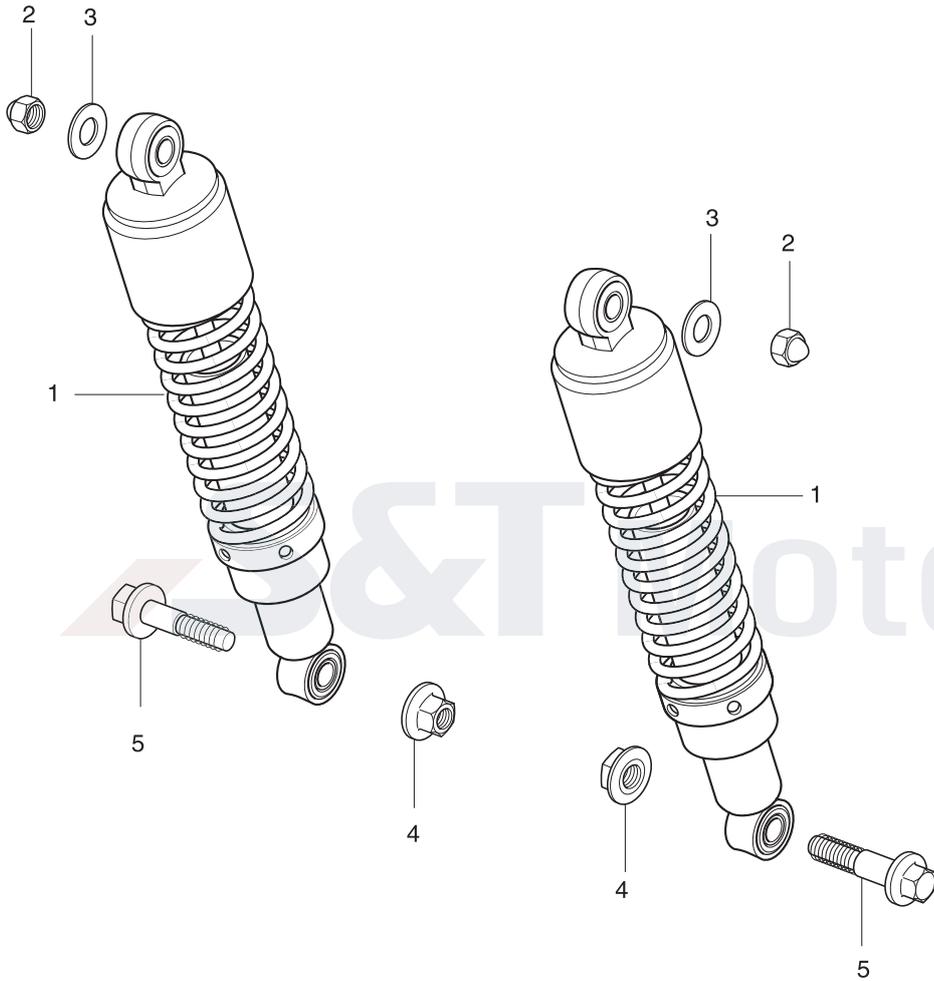


FIG 48

S&T Motors

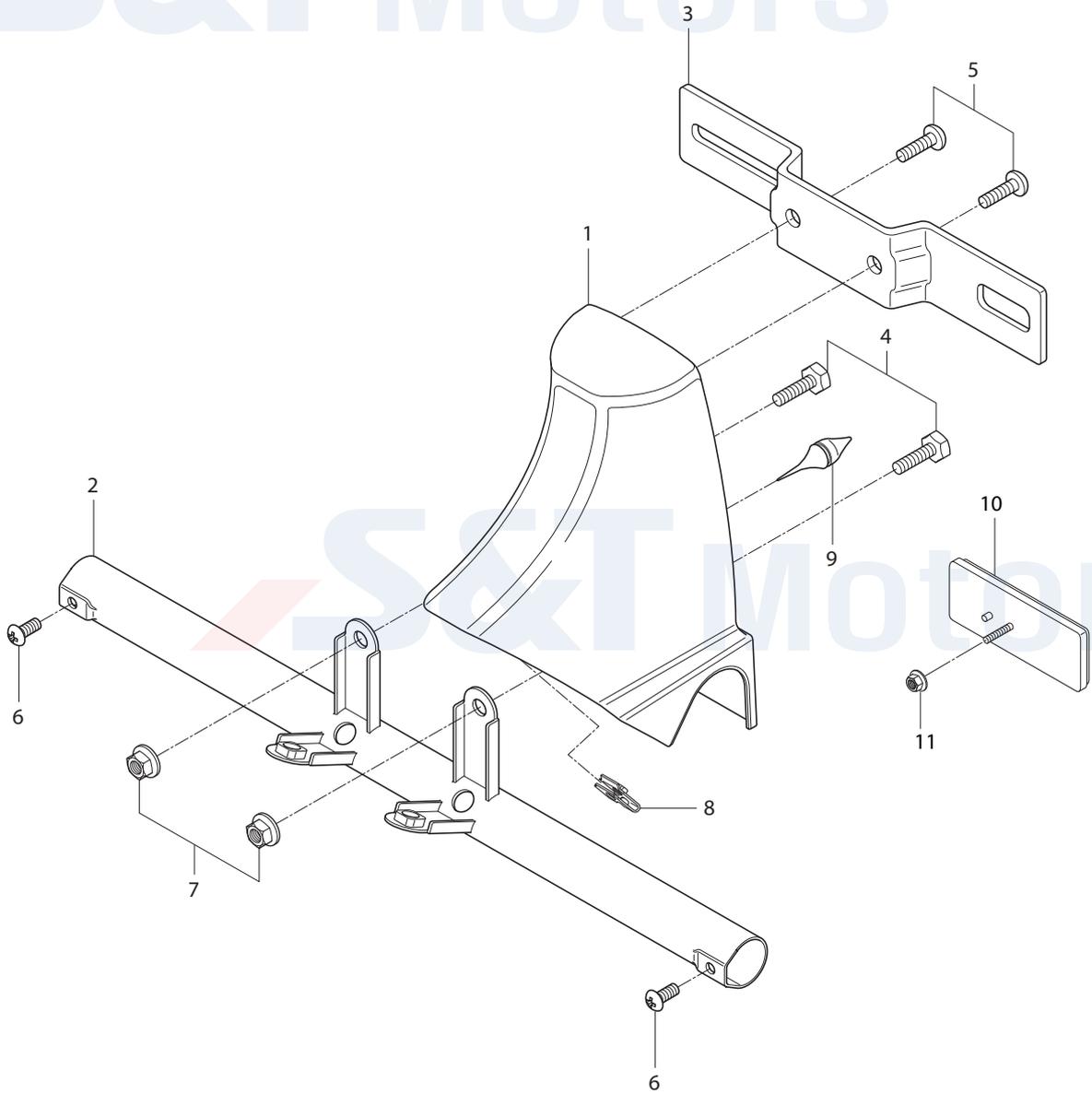


S&T Motors



FIG 49

S&T Motors



S&T Motors

FWD



FIG 51

