

REFERENCE

1.The detailed specifications of each model are referred by the persons who are in charge of overseas marketing team, Hyosung.

2.Special demand

When you order any colored parts, please add color code to the end of parts number and it will be helpful to register your parts order.

※ Color code

CDB : DEEP BLUE

CMB : MIDNIGHT BLACK

CMO : MANGO YELLOW

CPR : PEARL CANDY RED

HYOSUNG

FIG 1. CYLINDER

REF. PART NO.	PART NAME	Q'TY
1	11111H11200 HEAD, cylinder	1
2	11141-02110 GASKET, cylinder head	1
3	08316-16068 NUT, cylinder head(M6)	4
4	09482-01060 SPARK, plug	1
5	11211HG2602PCY CYLINDER	1
6	11241HF1602 GASKET, cylinder	1
7	01421-06858 STUD BOLT, cylinder	4

FIG 1

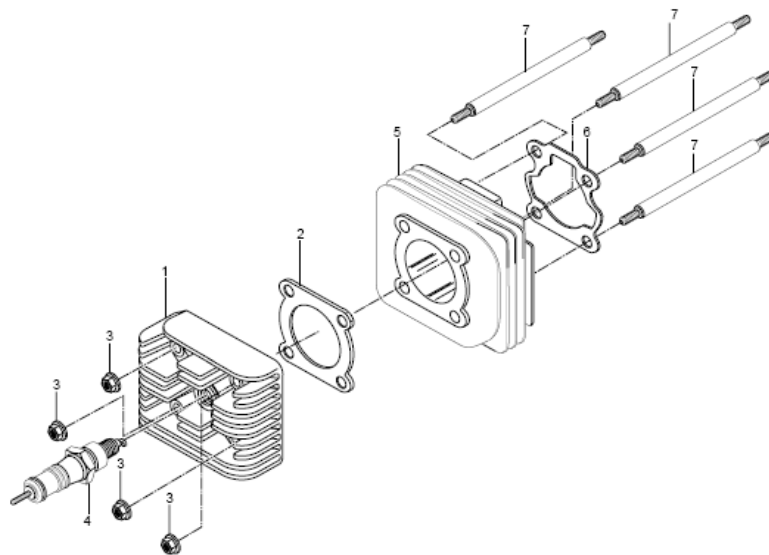


FIG 2. CRANK CASE

REF. PART NO.	NUNPART NAME	Q`TY
1	11311HG2650PCC CRANK CASE, R	1
2	09319-10030 BUSH, engine mounting	1
3	04213-09129 KNOCK PIN, crankcase	2
4	11321HG2650PCC CRANK CASE, L	1
5	09319-10032 BUSH, rear shock absorber	1
6	51419HG2600 GUIDE, throttle cable	1
7	02112-06508 SEREW, crank case (M3×50)	3
8	02112-06558 SEREW, crank case (M3×55)	2
9	11431HG2650PCR COVER, gear box ~ KM4CA14A731213953	1
9~1	11431HN3250PCR COVER, gear box KM4CA14A731213954 ~	1
10	11384HG2601 CUSHION, clutch cover upper	1
11	11385HG2601 CUSHION, clutch cover lower	1
12	01514-08128 BOLT, oil level	1
13	09168-08008 GASKET, oil level bolt	1
14	01547-06308 BOLT, gear box cover (M3×30)	6
15	04213-11149 KNOCK PIN, gear box cover	2
16	09168H10003 GASKET, oil drain bolt	1
17	09247-100A8 PLUG, oil drain	1
18	11484HG2602 GASKET, gear box cover	1
19	13110HG2600 PIPE COMP, intake	1
20	13126HF1601 GASKET, intake pipe	1
21	13150HF1600 VALVE ASS'Y, reed	1
22	13125HF1601 GASKET, read valve	1
23	02112-96256 SCREW, intake pipe (M6×25)	4
24	09128-06005 SCREW, carburetor	1
24-1	09139H06043 SCREW, carburetor	1
25	08316-26108 NUT, engine mount (M10)	1

FIG 2

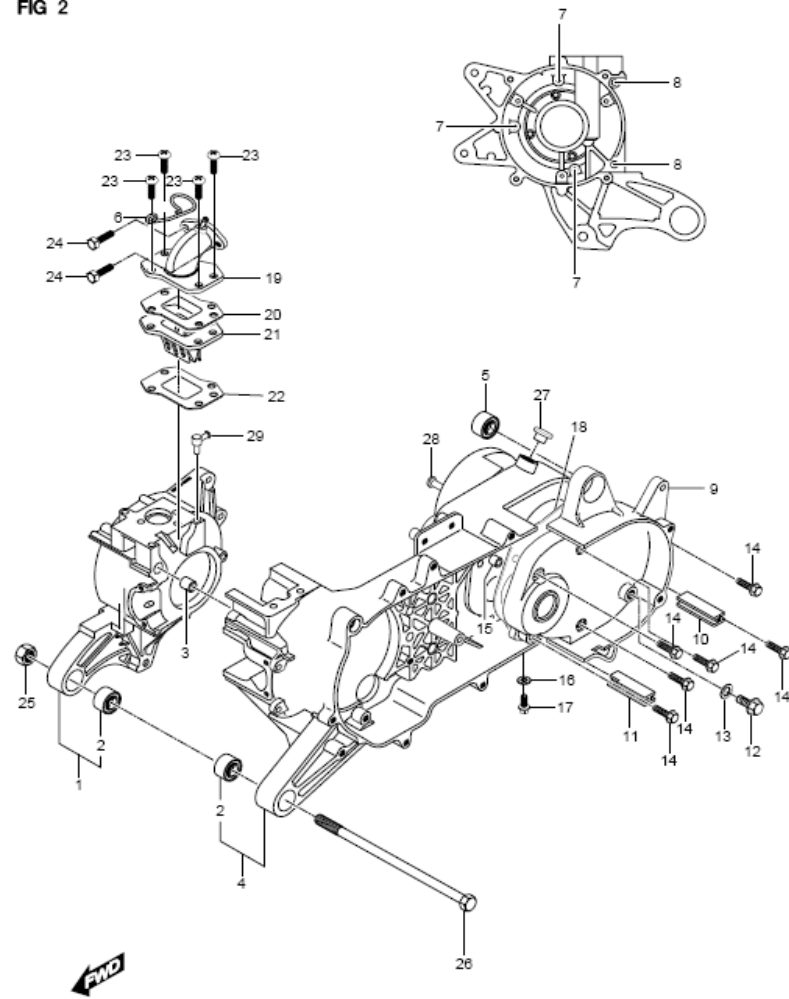


FIG 2. CRANK CASE

REF. PART NO.	PART NAME	Q'TY
---------------	-----------	------

26	09103H10132	BOLT, engine mount	1
27	09250H11005	PLUG, oil filler	1
28	64231-07903	PIN, rear brake anchor	1
29	16910-09401	UNION COMP	1

FIG 2

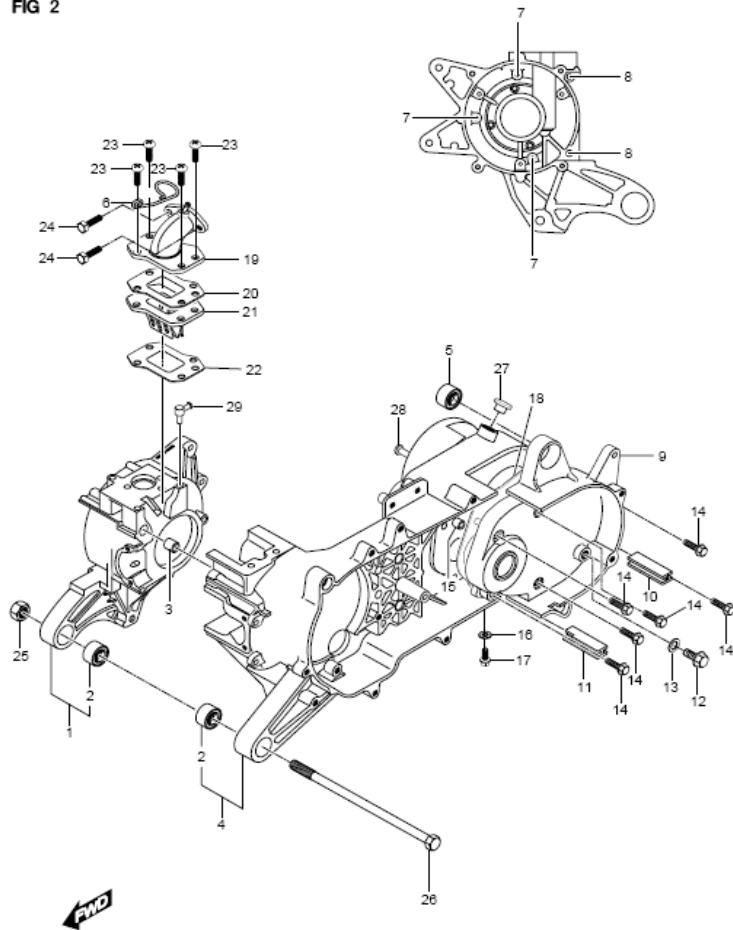


FIG 3. CLUTCH COVER

REF. PART NO.	NUNPART NAME	Q`TY
---------------	--------------	------

1	11341HG260303P COVER, clutch	1
2	11482HG2601 GASKET, clutch cover	1
3	04213-11149 KNOCK PIN, clutch cover	2
4	01547-06258 BOLT, clutch cover (M6×25)	6
5	01547-06358 BOLT, clutch cover (M6×35)	1
6	01547-06608 BOLT, clutch cover (M6×60)	1
7	09285-14001 OIL SEAL, kick shaft	1

FIG 3

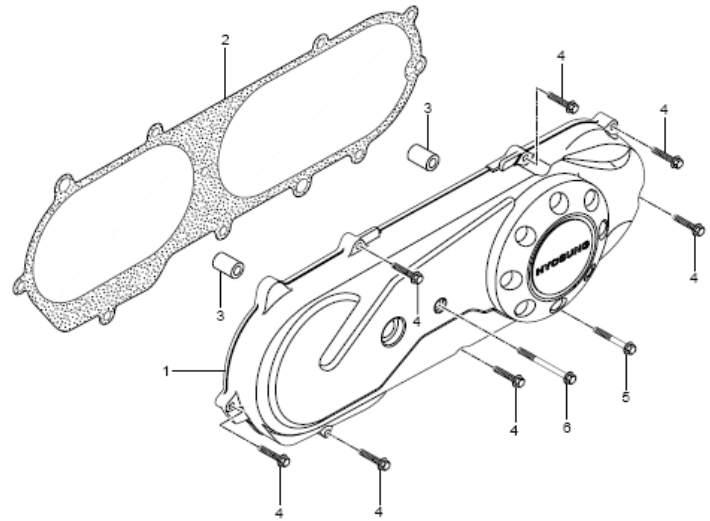


FIG 4. CRANK SHAFT

REF. PART NO.	NUNPART NAME	Q`TY
---------------	--------------	------

1	12110HG2600PSA PISTON COMP	1
2	12141-35010 RING,piston 1ST	1
3	12142-29C10 RING,piston 2ND	1
4	12149-29C10 RING, piston expander	1
5	12151-46501 PIN, piston	1
6	09381-10006 CIRCLIP, piston pin	2
7	12200HG2600HPA SHAFT ASS'Y, crank	1
8	12161-37B02 ROD, connecting	1
9	12211H11201888 PIN, crank	1
10	12221HG2600CSA CRANKSHAFT, R	1
11	12261H11A00CSA CRANKSHAFT, L	1
12	09263H16004 BEARING, crank pin (M16×22×12	1
13	09262H250A2 BEARING, crankshaft(M28×68×18	1
14	09262H250A2 BEARING, crankshaft(M28×68×18	1
15	09283-25083 OIL SEAL, crankshaft L (23.9×37×	1
16	09283-25083 OIL SEAL, crankshaft R (23.9×37×	1
17	09284-20051 OIL SEAL, crankshaft R No.1(20×	1
18	09160H16040 THRUST WASHER, connecting ro	2
19	12620HG2600 GEAR COMP, starter driven	1
20	09180H18005 SPACER, crankshaft oil seal	1
21	09263H10003 BEARING, piston pin	1

FIG 4

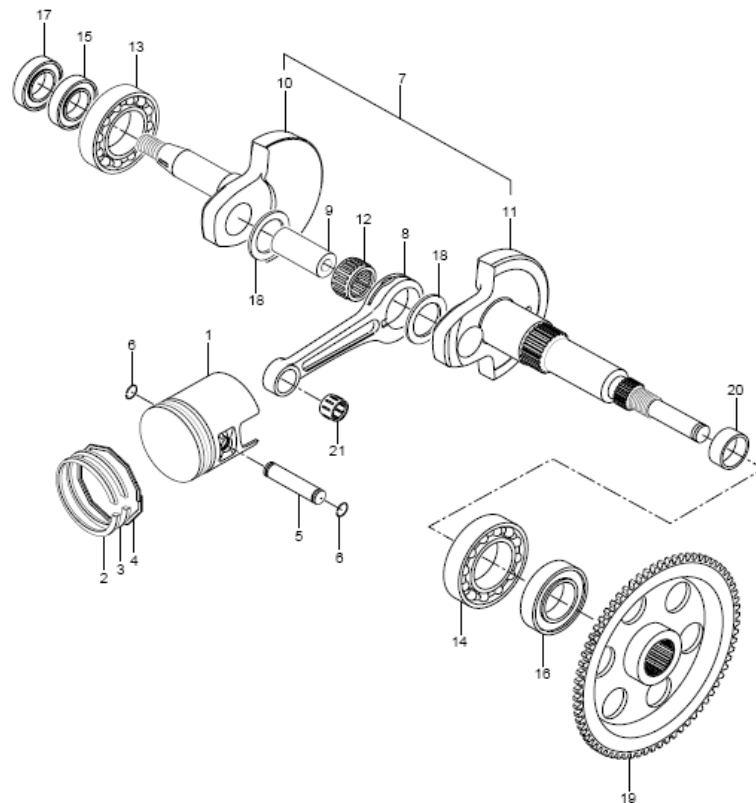


FIG 5. CARBURETOR

REF. PART NO.	NUNPART NAME	Q`TY
1	13091HG2650 CARBURETOR ASS'Y	1
2	13681HG2600 CAP, carburetor top	1
3	13551HG2601 VALVE, piston(CA)	1
4	13258HG2600 O-RING	1
5	09492H27001 JET,pilot(PJ)	1
6	09494H00001 JET,needle(NJ)	1
7	09491H65001 JET,main(MJ)	1
8	13245HG2600 BODY ASS'Y, float	1
9	13602-05108 SCREW (M5×10)	1
10	13557HG2600 PLATE	1
11	13411HG2600 PLUNGER ASS'Y	1
12	13573HG2600 SPRING	1
13	09408H00001 CLIP	1
14	13601-05148 SCREW	2
15	13394HG2600 E-RING	1
16	13383HG2600 NEEDLE, jet(JN)	1
17	13278HG2600 O-RING	1
18	13247-13A00 SCREW	1
19	13684HG2600 HOSE (5×8×125)	1
20	13254HG2600 PIN	1
21	13602-04088 SCREW	1
22	13370HG2600 VALVE ASS'Y, needle(VS)	1
23	13250-29C50 FLOAT ASS'Y	1
24	13295-33010 O-RING	1
25	13606-47A00 WASHER	1
26	13268-35010 SPRING	2

FIG 5

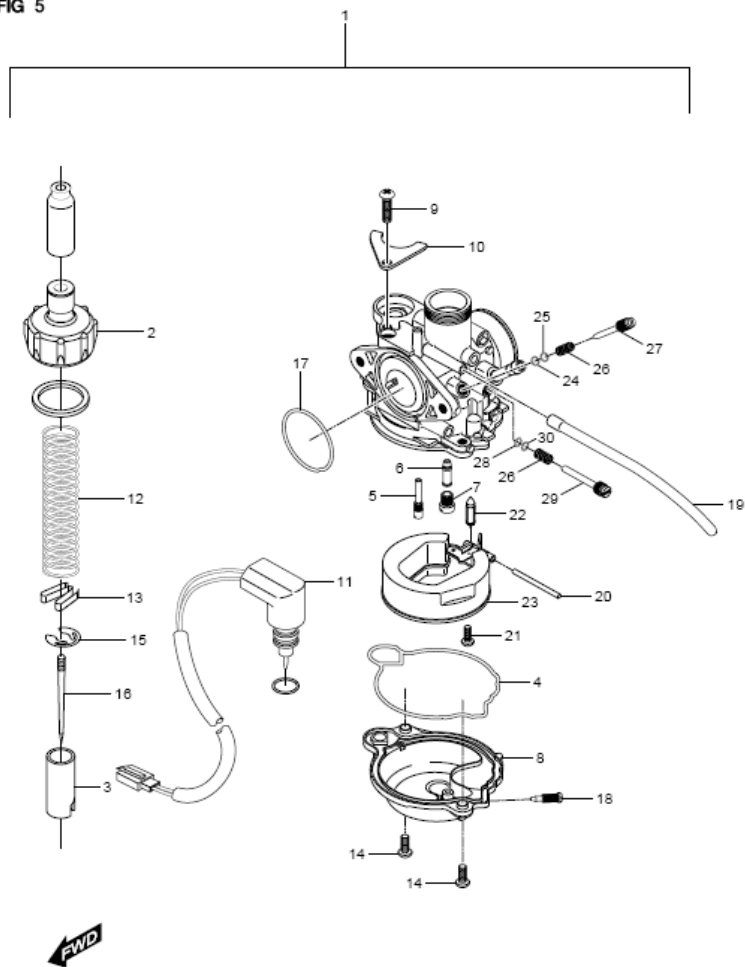


FIG 5. CARBURETOR

REF. PART NO.	NUNPART NAME	Q`TY
27	13279HG2600 ADJUSTER(AS)	1
28	13295-33010 O-RING	1
29	13267HG2600 SCREW,adjuster	1
30	13291-35010 WASHER	1
31	13694-40D00 THERM SW,CARB	1
32	13692-36C00 HEAT,CARBURETOR	1

FIG 5

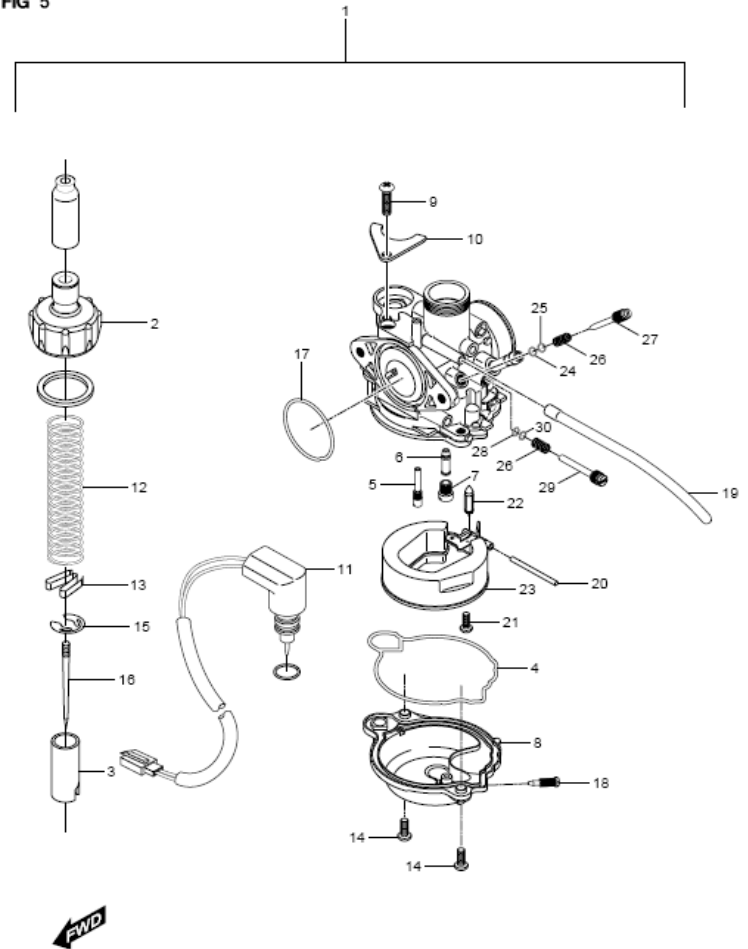


FIG 6. AIR CLEANER

REF. PART NO.	PART LAT01	NUNPART NAME	Q`TY
1	13700HG2603	CLEANER ASS'Y, air	1
2	13720HG2603	CASE COMP, air cleaner	1
3	13751HG2601	TRAP, air cleaner	1
4	13781HG2601	FILTER, air cleaner	1
5	13740HG2603	CAP COMP, air cleaner	1
6	13881HG2601	TUBE, outlet	1
7	09402-42208	CLAMP, outlet cleaner	1
8	03151-06255	SCREW, air cleaner cap	1
9	09169H06048	WASHER, air cleaner cap	1
10	02142-05165	SCREW, air cleaner cap	7
11	01547-06303	BOLT, air cleaner	2
12	13725HF4500	COLLAR, air cleaner	2

FIG 6

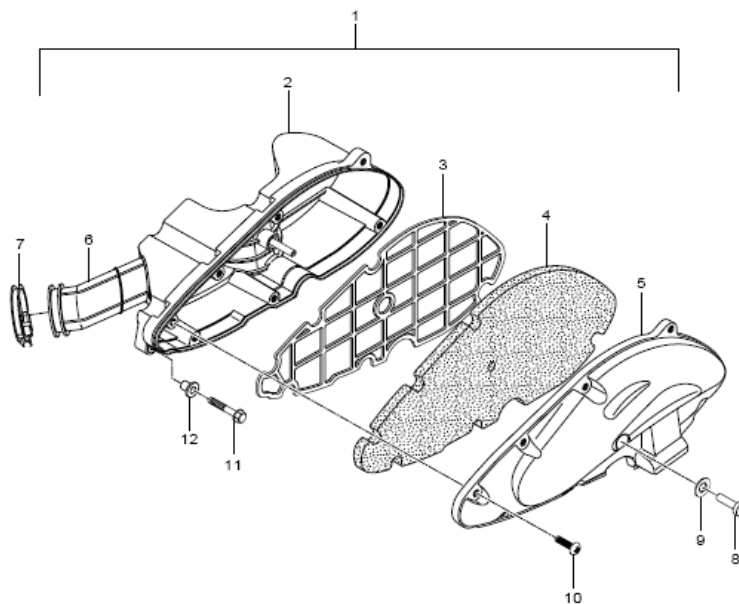


FIG 7. MUFFLER

REF. PART NO.	NUNPART NAME	Q`TY
---------------	--------------	------

1	14310HG2661PAM BODY COMP, muffler	1
2	14781HG2601PLA COVER COMP, muffler	1
3	01177-08268 BOLT, support bracket(M8×26)	2
4	02112-36108 SCREW, muffler cover (M6×10)	3
5	01137-06258 BOLT, exhaust pipe (M6×25)	2
6	14181HG2600 GASKET, exhaust pipe	2

FIG 7

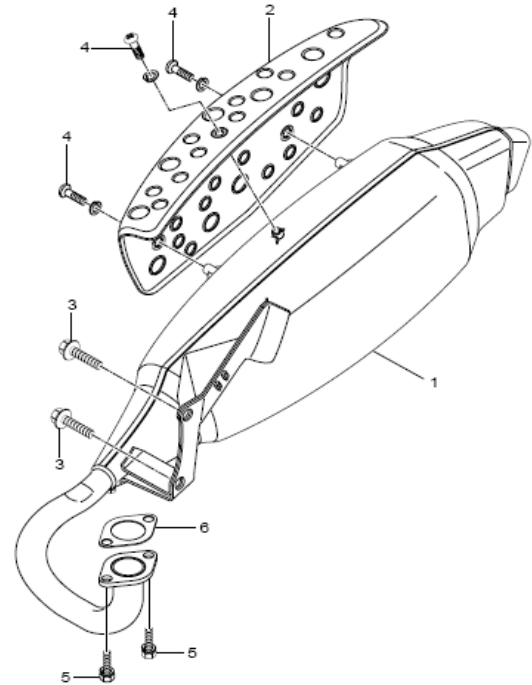


FIG 8.OIL PUMP

REF. PART NO.	LAT01	NUNPART NAME	Q`TY
1	16100HG2600	~ KM4CA105X41214596	1
1~1	16100HG2601	PUMP SET, oil KM4CA105X41214597 ~	1
2	09280H20002	O-RING, oil pump	1
3	16331H11200	GEAR, oil pump pinion NT:30	1
4	02112-35168	SCREW, oil pump (M5×16)	2
5	09401-08401	CLIP, oil hose No.2	1
6	16631HG2600	BRACKET, oil pump cable adjust	1
7	02112-06128	SCREW, oil pump bracket	2
8	09401-04401	CLIP,oil hose no1	2

FIG 8

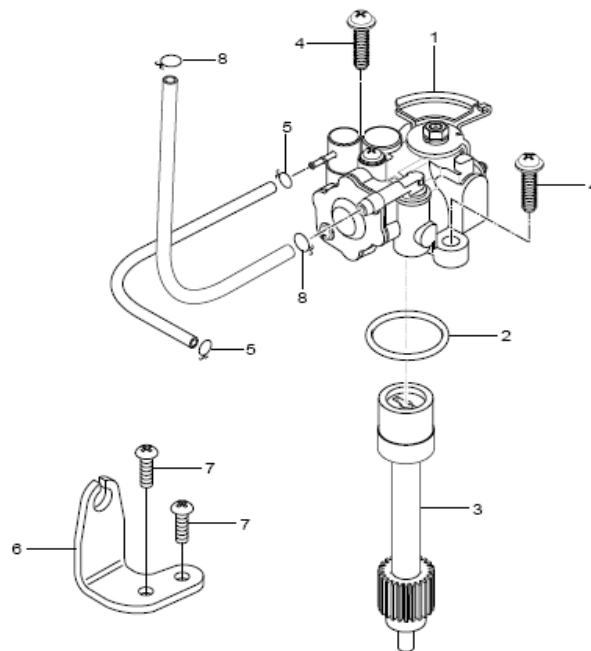


FIG 9.COOLING FAN

REF. PART NO.	LAT01	NUNPART NAME	Q`TY
1	17110H11200	FAN, cooling	1
2	17140HG2600	CASE COMP, fan	1
3	17130HG2601	COWLING COMP, fan	1
4	17120HG2601	COWLING COMP, cylinder	1
5	17134-02900	SPACER	2
6	02112-96168	SCREW (M6×12)	2
7	02152-06168	SCREW (M6×16)	4
8	03151-06205	SCREW (M6×20)	1
9	03151-06205	SCREW (M6×20)	5
10	02112-96168	SCREW (M6×16)	2
11	09404-06401	CLAMP	1
12	17122H11200	CUSHION	1

FIG 9

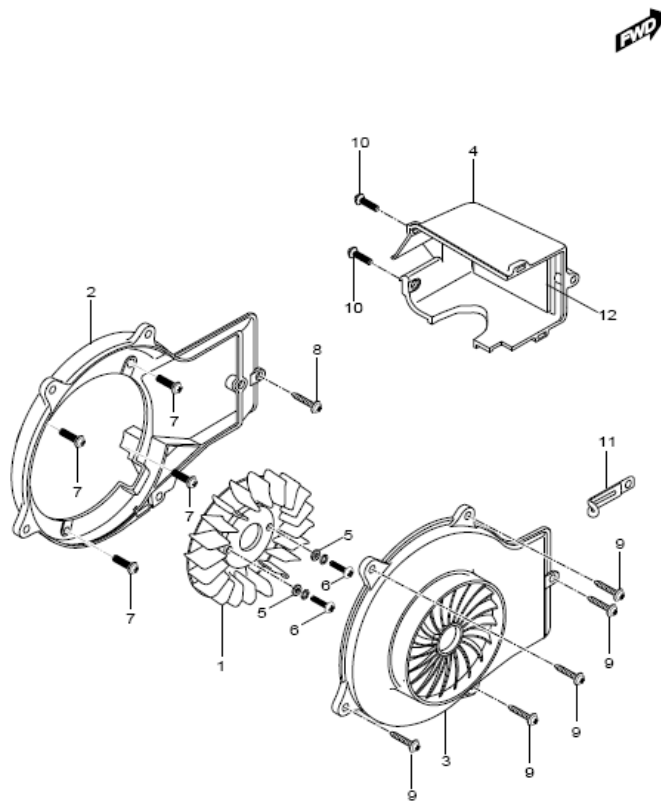


FIG 10. TRANSMISSION[1]

REF. NO.	PART NO.	PART NAME	QTY
----------	----------	-----------	-----

1	27601HG2600	V-BELT, drive	1
2	21110H11A02	FACE COMP, fixed drive	1
3	21120HE7100	FACE COMP, movable drive	1
4	21431HE7100	PLATE, movable drive	1
5	21481HE7100	DAMPER, movable drive face plate	3
6	21650HG2620HPA	ROLLER COMP, movable drive fa	6
7	21122-37B01	COVER, movable drive face	
8	02142-04108	SCREW, movable drive face	
9	09180H16021	SPACER, movable drive	1
10	08332-11079	E-RING, kick starter driven spacer	1
11	26280-29C00	CEAR COMP, kick starter driven N	1
12	26282H11A00	NUT, kick starter driven	1
13	09440H14007	SPRING, kick starter driven	1
14	26283H11200	SPACER, kick starter driven	1
15	09180H22022	SPACER, mov drv adjust	1

FIG 10

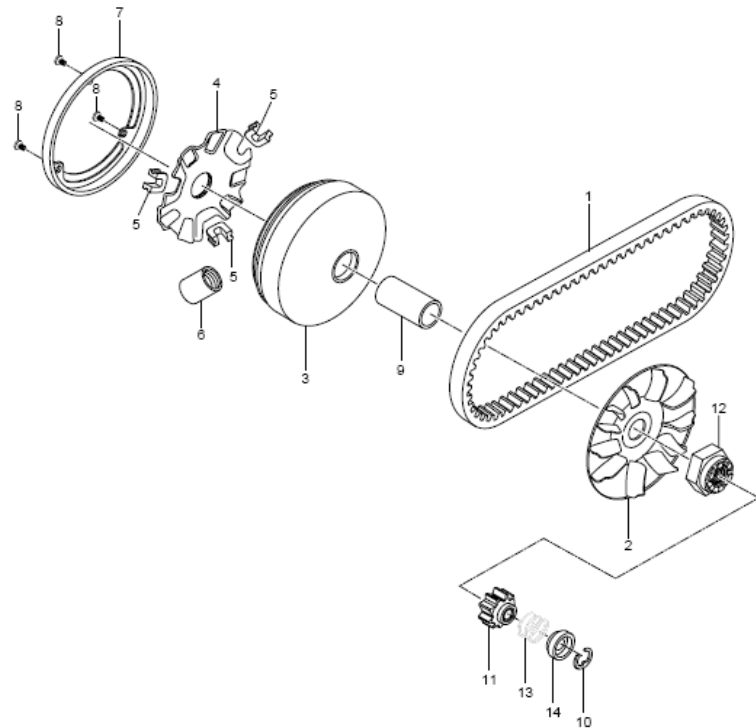


FIG 11. TRANSMISSION(2)

REF. NO.	PART LAT01	NUNPART NAME	Q'TY
0	21091HG2601	PULLEY SET,driven	1
1	24111H11223	SHAFT, drive 14T	1
2	21210-09E02	FACE COMP, fixed drive	1
3	09201H06002	PIN, movable briven	3
4	09180H06042	SPACER, movable drive pin	3
5	09440H52003	SPRING	1
6	21240HG2600	FACE COMP,movable driven	1
7	09284-34002	OIL SEAL, movable driven (34x39)	2
8	09280-41005	O-RING, movable driven(39.x1.6)	2
9	21471-03A03	SHEET,movable driven face	1
10	09263H17001	BEARING, fixed driven R (17x25x	1
11	21220-04C12	HOUSING COMP,clutch	1
12	21501HG2600	CLUTCH ASS'Y, shoe(NA)	1
13	09140-28004	NUT (M28)	1
14	08316-26108	NUT (M10)	1
15	24310H11A01HPA	GEAR ASS'Y,counter driven	1
15-1	24312H11222	GEAR ,counter drive(11T)	1
15-2	24311H11A02	GEAR ,counter driven(41T)	1
16	09160-15034	THRUST WASHER, counter shaft	2
17	08113-62010	BEARING (12x32x10)	1
18	08113-62020	BEARING (15x35x11)	1
19	02122-06168	SCREW, retainer (M6×16)	2
20	09262H17001	BEARING (17x47x14)	1
21	08120H69017	BEARING (12x24x6)	1
22	09283H17002	OIL SEAL (17x27x5)	1
23	24141HG2600	SHAFT, rear axle	1

FIG 11

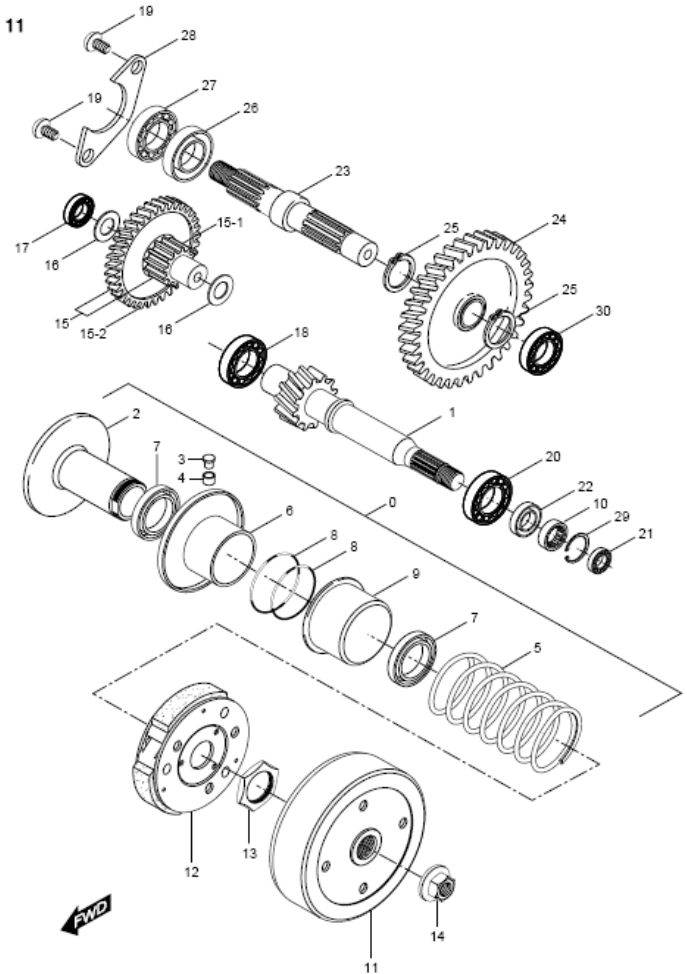


FIG 11. TRANSMISSION(2)

REF. PART NO.	NUMPART	NAME	Q'TY
24	24331H11220	GEAR, final (40T)	1
25	08331-31229	CIRCLIP	2
26	09283-27010	OIL SEAL (27x40x7)	1
27	08130-62047	BEARING (20x47x14)	1
28	24751H07900	RETAINER	1
29	08331-41249	CIRCLIP	1
30	08113-62030	BEARING (17x40x12)	1

FIG 11

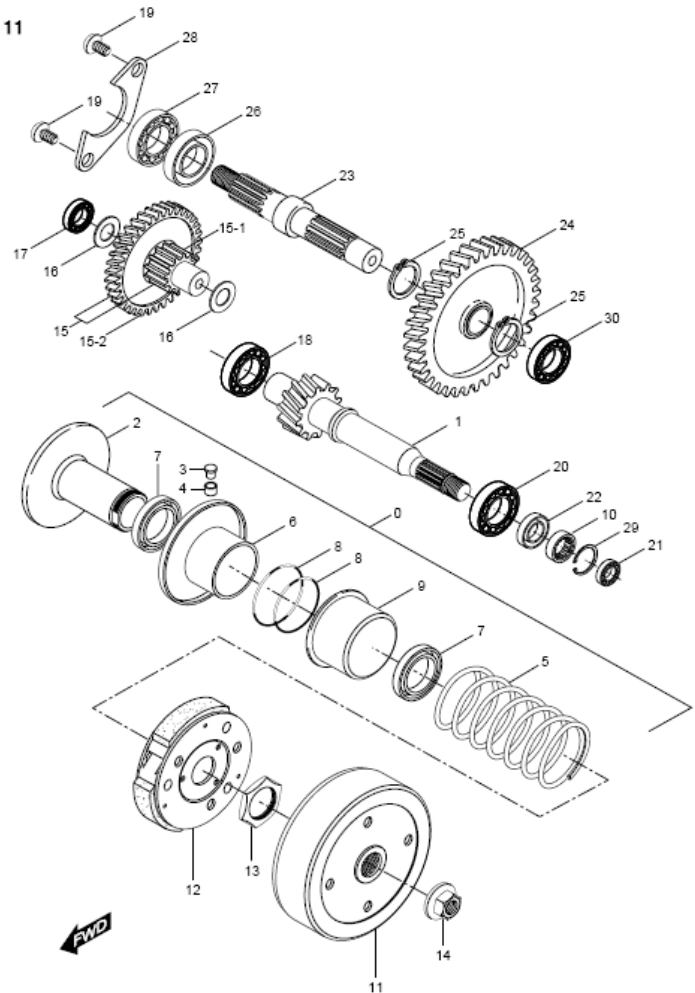


FIG 12. KICK STARTER

REF. PART NO.	NUMPART NAME	Q`TY
12-01	26210HF1601 SHAFT COMP, kick starter	1
12-02	02142-06108 SCREW (M6×10)	1
12-03	09448-58003 SPRING	1
12-04	08331-31149 CLRCLIP	1
12-05	26300-41D00 LEVER ASS'Y, kick starter	1
12-06	01107-06208 BOLT, kick starter lever (M6×20)	1

FIG 12

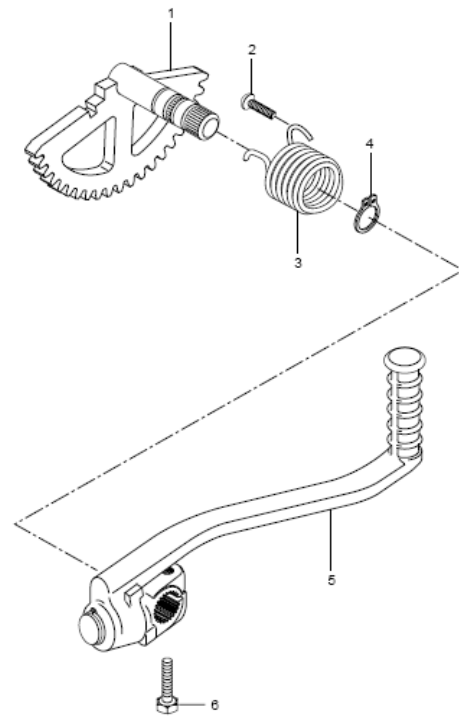


FIG 13.STARTING MOTOR

REF. PART NO.	PART NAME	Q`TY
---------------	-----------	------

1	31100H11A02	MOTER ASS'Y, starting	1
2	31370H11200	PINION GEAR ASS'Y	1
3	02112-06608	SCREW, starting motor mounting	2
4	31131-02100	BRUSH SET	1
5	31156-02100	O-RING	1
6	31158-02540	GASKET	1
7	31158-02100	O-RING	1
8	31151-02540	SCREW, B (M4×14)	2
9	31151-02100	SCREW, A (M4×30)	3
10	31132H51600	HOLDER	1
11	31151-02100	LEAD WIRE	1
12	31152-02540	SCREW	1
13	09404-06403	CLAMP	1
14	31120H51600	COVER,starting MOTOR	1
15	31311H11200	AMATEUR	1

FIG 13

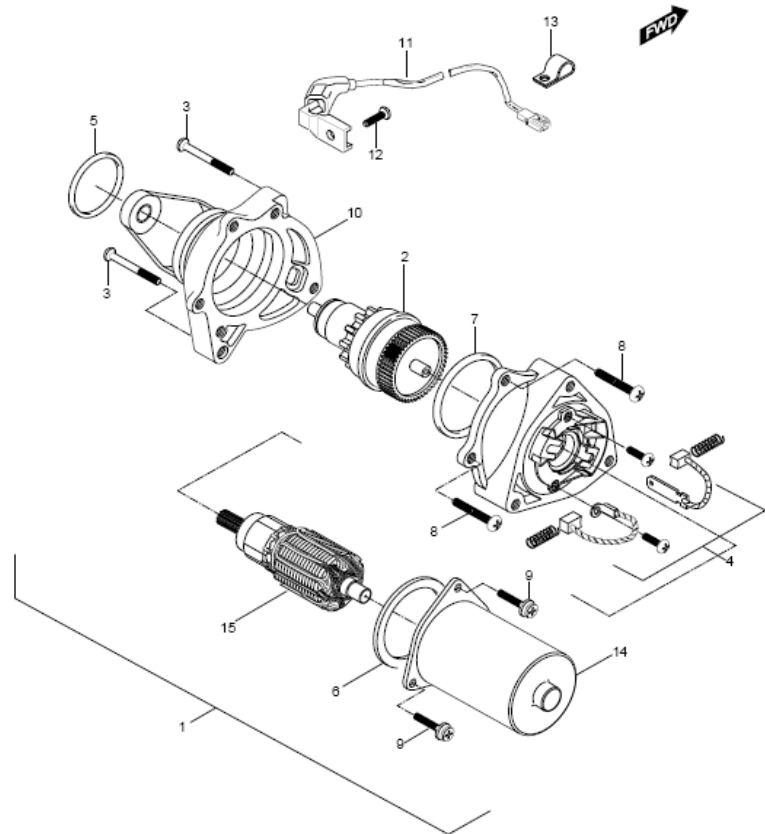


FIG 14. MAGNETO

REF. PART NO.	PART LAT01	NUNPART NAME	Q`TY
0	32100HG2680	MAGNETO ASS'Y	1
1	08316-26108	NUT, magneto rotor (M10)	1
2	08321-31108	LOCK WASHER, magneto	1
3	08322-21108	WASHER, magneto	1
4	08341-31039	KEY, magneto	1
5	09132H05128	SCREW, magneto stater (M5*12)	3
6	02112-05106	SCREW, pick up coil (M5*10)	2
7	32101HG2670	STATOR ASS'Y	1
8	32102HG2670	ROTOR ASS'Y	1
9-A	09404-16404	CLAMP,magneto lead wire	1
9-B	02112-04086	SCREW	1
10	09120-06081	SCREW	2

FIG 14

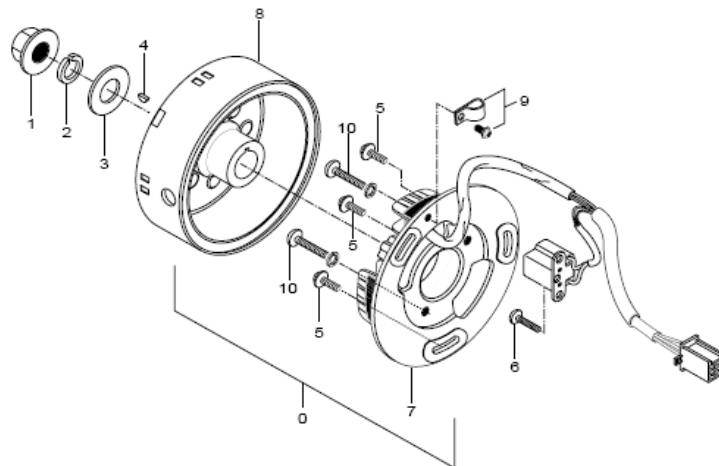


FIG15. ELECTRICAL

REF. NO.	PART NO.	PART NAME	Q'TY
1	33410H11210	COIL ASS'Y,ignition	1
2	33510H11200	CAP, spark plug	1
3	33543HG2600	BOOT, spark plug cap	1
4	01134-06206	BOLT, ignition coil (M6*20)	2
5	33610-40B12	BATTERY ASS'Y (12V,M3)	1
6	38610HF3400	RELAY ASS'Y, turnsignal	1
7	31800H47A00	RELAY ASS'Y, starting motor	1
8	02142-06128	SCREW, starting motor relay (M6*	1
9	32800-36C20	RECTIFIER ASS'Y	1
10	02142-06165	SCREW, rectifier (M3*16)	1
11	32900HG2650	C.D.I UNIT	1
12	02142-06165	SCREW, C.D.I unit (M6*12)	1

FIG 15

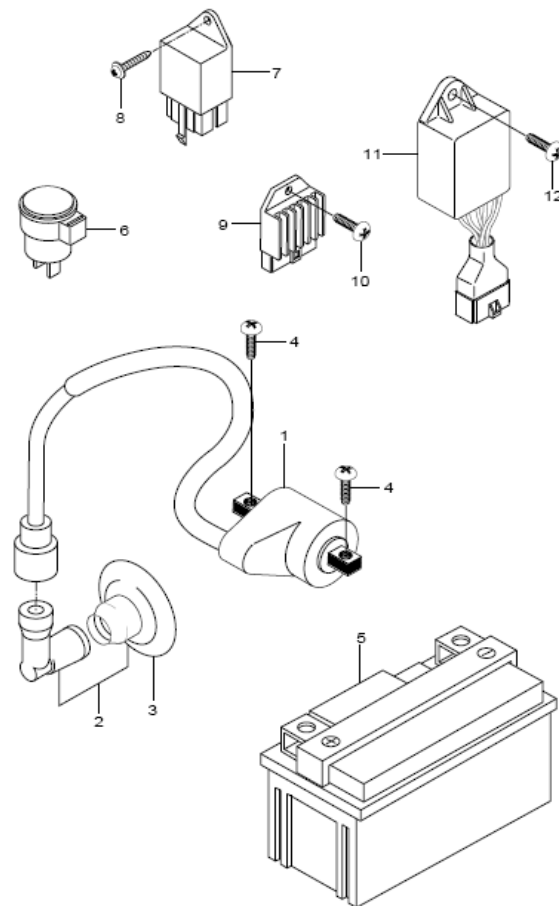


FIG 16. SPEEDOMETER

REF. PART NO.	PART NAME	Q'TY
1	34100HG2680 SPEEDOMETER ASS'Y	1
2	03241-05165 SCREW, speedo meter	1
3	03241-05206 SCREW, speedo meter	2
4	34910HB1101 CABLE ASS'Y, speedometer	1
5	34210HG2600 DECORATION, speedometer	1
6	34150HG2600 WINDOW CASE	1
7	34112HG2600 DIAL	1
8	34150HG2600 CASE,SUB	1
9	03241-05165 SCREW, speedometer(M5×16)	1
10	34170HG2600 WIRING ASS'Y	1

FIG 16

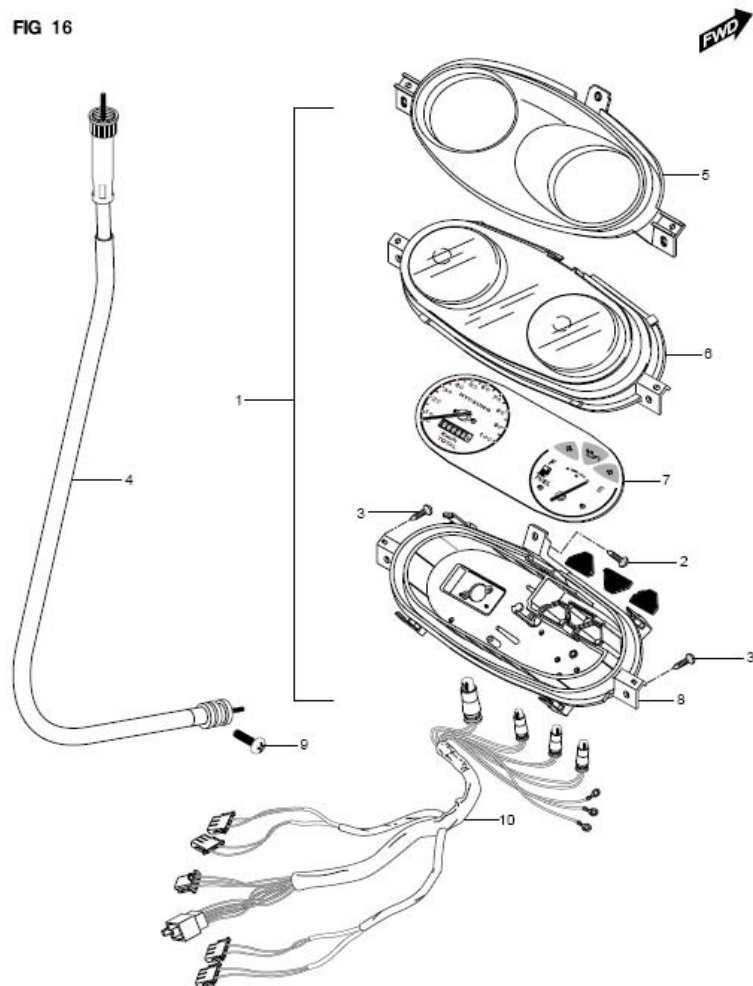


FIG 17. HEAD LAMP

REF. NO.	PART NO.	PART NAME	QTY
1	35122HG2601	BRACKET, head lamp	1
1-1		BOLT,head lamp	2
2	35100HG2600	HEAD LAMP ASSY	2
2-1		HEAD LAMP ASSY	1
3	09471H11A20	BULB, head lamp(12V S3: 15W)	2
3-1		BULB, head lamp(12V 35/35W)	1
4	09320-08048	CUSHION, head lamp bracket	2
5	09169-06070	PIN WASHER, head lamp bracket	2
6	01517-06308	BOLT, head lamp bracket(M6*30)	2
7	03211-03128	SCREW, head lamp (M3*12)	8
7-1		WASHER, head lamp aiming	1
8	35173HG2600	DUST COVER, head lamp	2
9	35130HG2600	WIRING ASSY, head lamp	1
9-1		WASHER,head lamp aiming	1
10	09160-06028	WASHER, head lamp bracket	2
11	35157HG2600	NUT GROMMET, head, lamp aim'	1
12	35134HG2600	CIRCLIP, head lamp aim'g	1
13	35135HG2600	PLATE WASHER, head lamp aim'	1
14	35128HG2600	WAVE WASHER, head lamp aim'g	1
15	35151HG2600	BOLT, head lamp aim'g (M5)	1

FIG 17

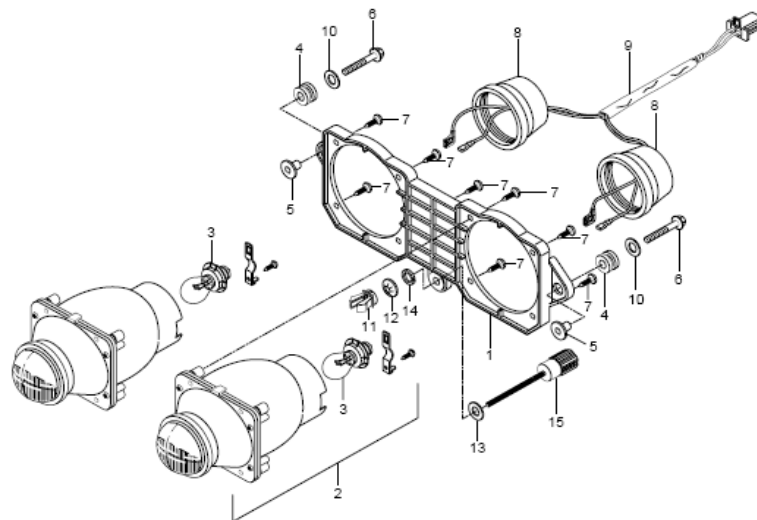


FIG 18. REAR COMBINATION

REF. PART NUNPART NAME Q'TY
NO. LAT01

1	35710HG2660	LAMP ASS'Y, tail & stop	1
2	02142-06128	SCREW, tail & stop lamp	2
3	03241-05125	SCREW, tail & stop	2
4	09148-05039	NUT, tail & stop lamp	1
5	09471-12008	BULB, tail & stop (12V 10/5W)	1
6	35603HG2650	LAMP ASS'Y, rear turnsignal R	1
7	09471-12003	BULB, rear turnsignal (12V 10W)	2
8	35604HG2650	LAMP ASS'Y, rear turnsignal L	1
9	35652-35C00	LENS, rear turnsignal R	1
9-1	35672-35C00	LENS, rear turnsignal L	1
10	08310-11068	NUT, rear turnsignal(M6)	2
11	08322-21068	WASHER, rear turnsignal	2
12	03211-04205	SCREW (M4*20)	2
13	35625-01A00	TAPPING SCREW	2
14	35712HG2660	LENS, tail & stop	1

FIG 18

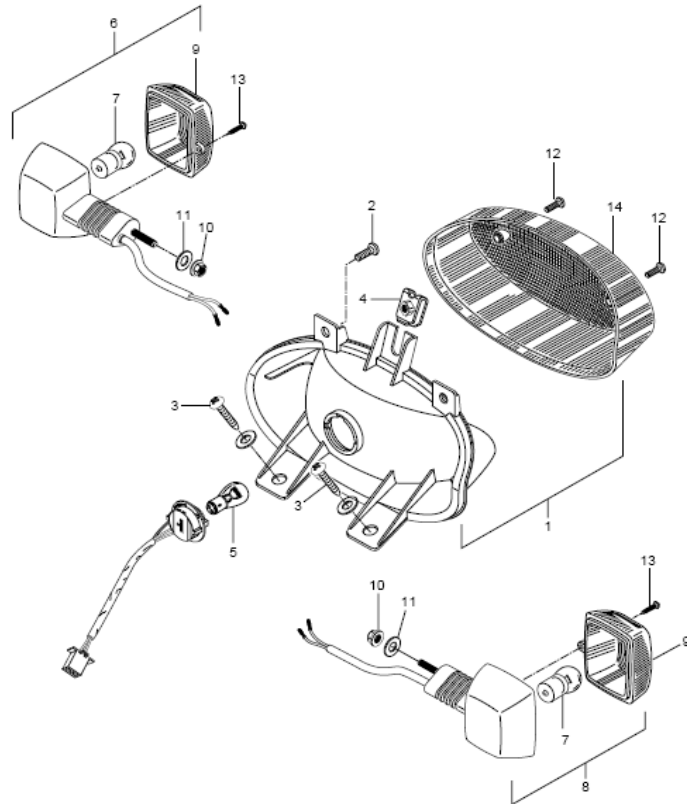


FIG 19. WIRING HARNESS

REF. PART NO.	NUMPART	NAME	Q'TY
1	36610HG26C1	HARNESS,wiring	1
2	38500HG2650	HORN ASS'Y	1
3	02112-36128	SCREW, horn (M6*12)	1
4	37000HG2630	KEY SET	1
4-1	37111HB1430	BLANK KEY	1
5	37100HG2430	LOCK ASSY, steering	1
6	09128-06005	SCREW, steering look (M6*16)	1
6-1	09139H06044	SCREW, steering look	1
7	09407-11401	CLAMP, wiring harness	2
8	09407-18402	CLAMP, wiring harness	3
9	09407-22402	CLAMP, wiring harness	7
10	09404-06401	CLAMP, wiring harness	2

FIG 19

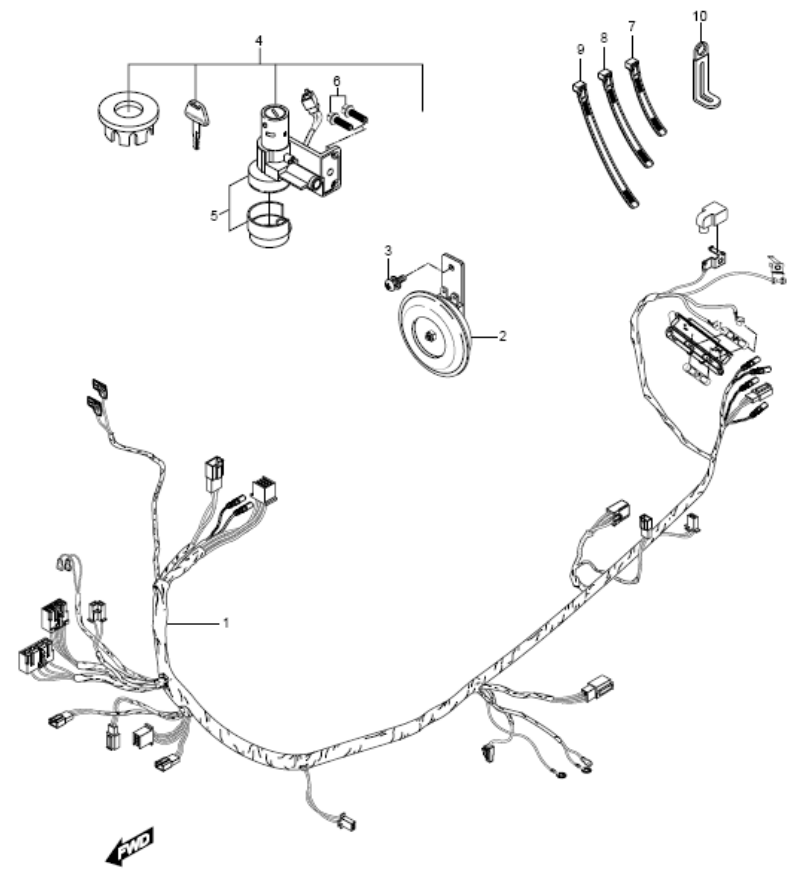


FIG 20. FRAME

REF. PART NO.	NUNPART NAME	Q`TY
---------------	--------------	------

1	41100HG2650PAM FRAME COMP	1
2	53181HG260112B FENDER, front upper	1
3	61110HG2603HPA LINK COMP, engine mounting	1
4	41512HG2600 BRACKET, leg front upper	1
5	61121H11201 CUSHION, engine mounting link	1
6	09319H12025 BUSH, engine mounting link	2
7	09103-12045 BOLT, engine mounting link	1
8	08319-31126 NUT, engine mounting link	1
9	02142-06165 SCREW, front fender upper	1
10	09169-06034 WASHER, front fender upper	1
11	08316-26066 NUT, leg front upper bracket	2
12	03241-05108 SCREW, frame & side cover lower	1
13	02142-05305 SCREW, side cover & frame	2
14	92113HG260126B HOOK, leg shield cover	1
15	01517-06125 BOLT, leg shield cover hook	1
16	03241-05165 SCREW, frame & leg shield cover	2
17	03241-05165 SCREW, frame & side cover lo R/L	3

FIG 20

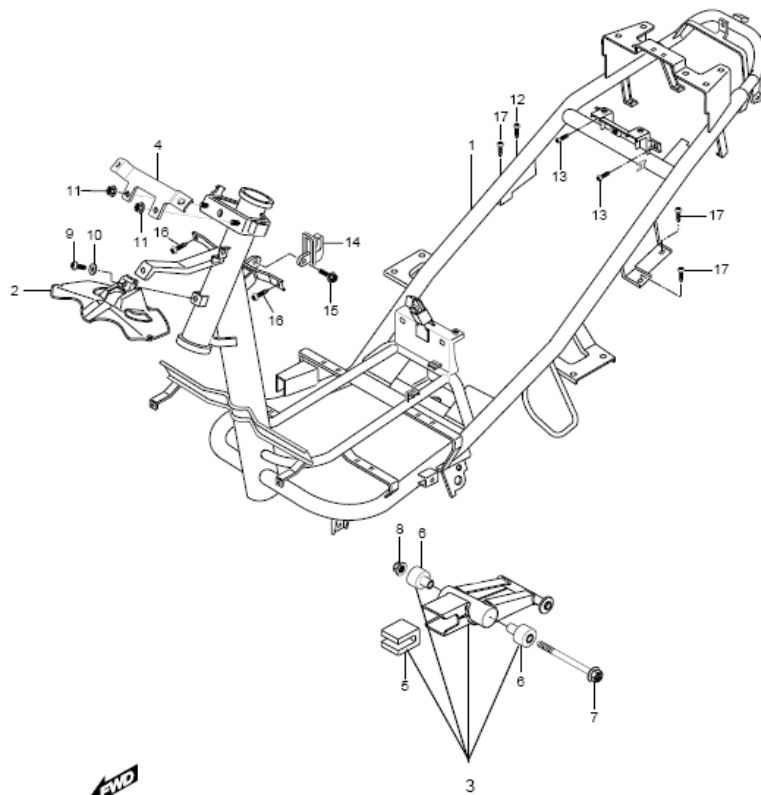
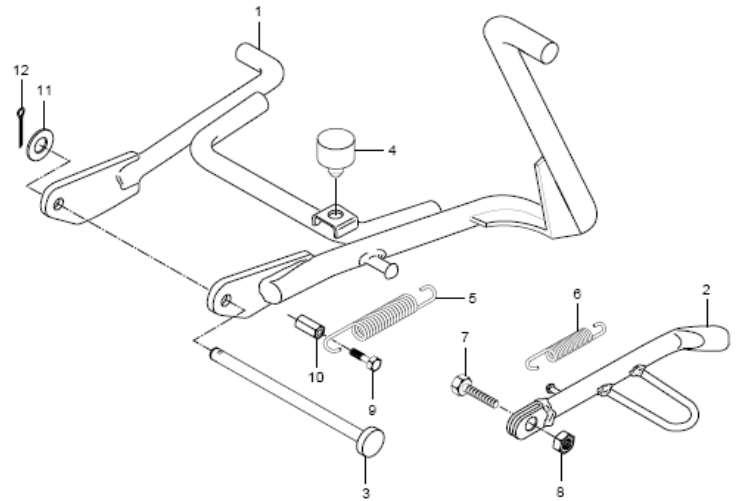


FIG 21. STAND

REF. PART NO.	PART NAME	Q`TY
---------------	-----------	------

1	42110HG2605	STAND COMP, center	1
2	42310HG2651	STAND COMP,prop	1
3	42211HG2600	SHAFT, center stand pivot	1
4	09321-10002	CUSHION, center stand spring	1
5	09443H10001	SPRING, center stand	1
6	09443-14036	SPRING, prop stand	1
7	09100-10031	BOLT, prop stand (M10*30)	1
8	08313-11107	NUT, prop stand(M10)	1
9	09100-06078	BOLT, center stand spring(M6*33)	1
10	09140-06007	NUT, center stand spring	1
11	08322-11106	WASHER, center stand	1
12	09204-02003	COTTER PIN, center stand	1

FIG 21



FWD

FIG 22. FUEL TANK

REF. PART NO.	NUNPART NAME	Q'TY
1	44100HG2601 TANK COMP, fuel	1
2	15100HG2600 PUMP ASS'Y, fuel	1
3	34810HG2600 GAUGE ASS'Y, fuel sender	1
4	44587H11200 CAP, fuel sender	1
5	44200H11203 CAP, fuel tank	1
6	44241H11202 GASKET, fuel tank cap No.1	1
7	44261H11201 GASKET, fuel tank cap No.2	1
8	44613HE7100 CUSHION, fuel tank	2
9	44219HG2600 CUSHION, fuel tank	2
10	44218HF4500 CUSHION, fuel tank	1
11	44612HE7100 CUSHION, fuel tank	2
12	01517-06165 BOLT, fuel tank	2
13	41712HG2602 BRACKET, fuel tank lower rear	1
14	41711HG2602 BRACKET, fuel tank lower front	1
15	01517-06125 BOLT, fuel tank lower bracket	4
16	02112-35168 SCREW, fuel pump	2
17	44199HG2604 HOSE, fuel strainer inlet	1
18	44910HG2600 STARINER COMP, fuel	1
19	44197HG2602 HOSE, fuel strainer outlet	1
20	09401-08401 CLIP, fuel hose	2
21	09401-09101 CLIP, fuel hose	2
22	09180-06038 SPACER	2

FIG 22

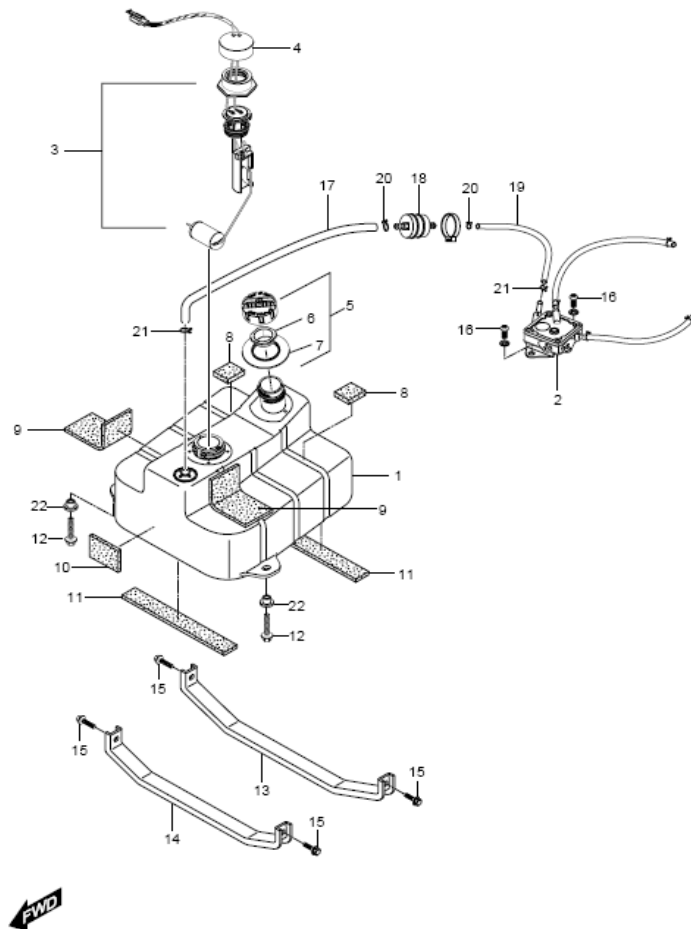


FIG 23. OIL TANK

REF. PART NO.	NUMPART	NAME	Q`TY
1	44610HG2650	TANK SET, oil	1
2	37880HG2600	SWITCH ASS'Y, oil level	1
3	44668HG2600	GASKET, oil level switch	1
4	44651HG2600	CAP, oil tank filler	1
5	44616HG2600	CUSHION, oil tank & helmet box	2
6	33653HG2600	CUSHION,oil tank & battery	1

FIG 23

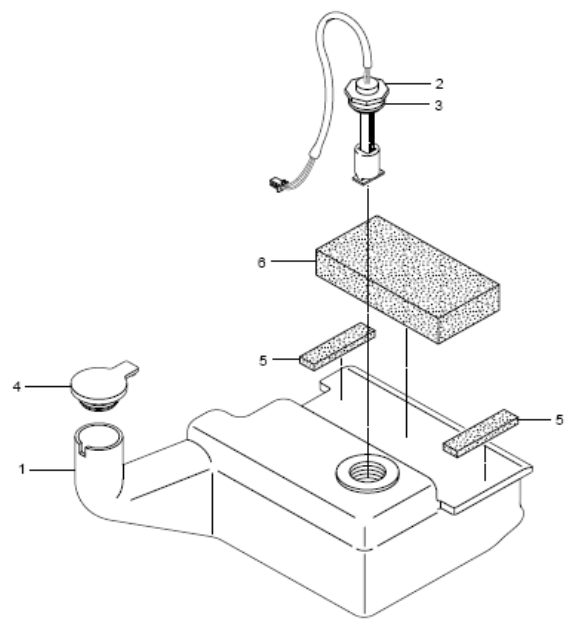


FIG 24. SEAT

REF. PART NO.	LAT01	NUNPART NAME	Q`TY
1	45100HG2603	SEAT SET, front	1
2	45200HG2603	SEAT SET, pillion	1
3	46410HG2600	CARRIER COMP, rear	1
4	92311HG260226B	BOX, helmet rear	1
5	45220HG2601	LOCK, seat stricker	1
6	45293HG2600	BRACKET, pillion seat	1
7	45285HE7100	BRACKET, seat support front	1
8	45551HG2601	PLATE, seat striker lock No.3	1
9	44218HF4500	CUSHION, helmet box	4
10	09443H060006	SPRING, seat stricker lock No.3 &	1
11	09111-06019	BOLT, seat striker & frame	1
12	08316-26066	NUT, seat stricker lock	2
13	08316-26066	NUT, seat support front	2
14	45215HE7100	BOLT	1
15	01104-06128	BOLT	2
16	07120-08258	BOLT, grip stand	4
17	09180-08145	SPACER, side cover & carrier	1
18	02142-06165	SCREW, helmet box & frame	4
19	09169-06034	WASHER, helmet box & frame	4
20	92331HG260026B	COVER, battery	1
21	02142-06125	SCREW, battery cov & helmet box	2
22	09169-05009	WASHER, battery cov & helmet box	2
23	45280HG2602	CABLE ASS'Y, seat lock	1
24	47510HG260003P	GRIP COMP, handle R	1
25	47610HG260003P	GRIP COMP, handle L	1
26	07120-08218	BOLT,handle grip	4

FIG 24

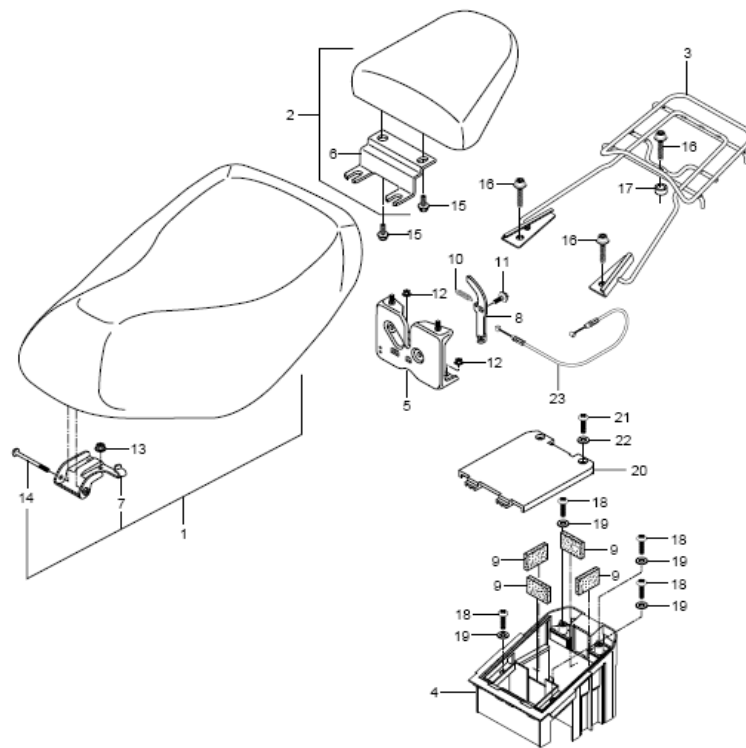


FIG 24. SEAT

REF. PART NO.	PART NAME	QTY
27	BOLT,rear carrier	2
28	SPACER,rear carrier	2
29	WASHER,rear carrier rr	1
30	CARRIER,rear	1

FIG 24

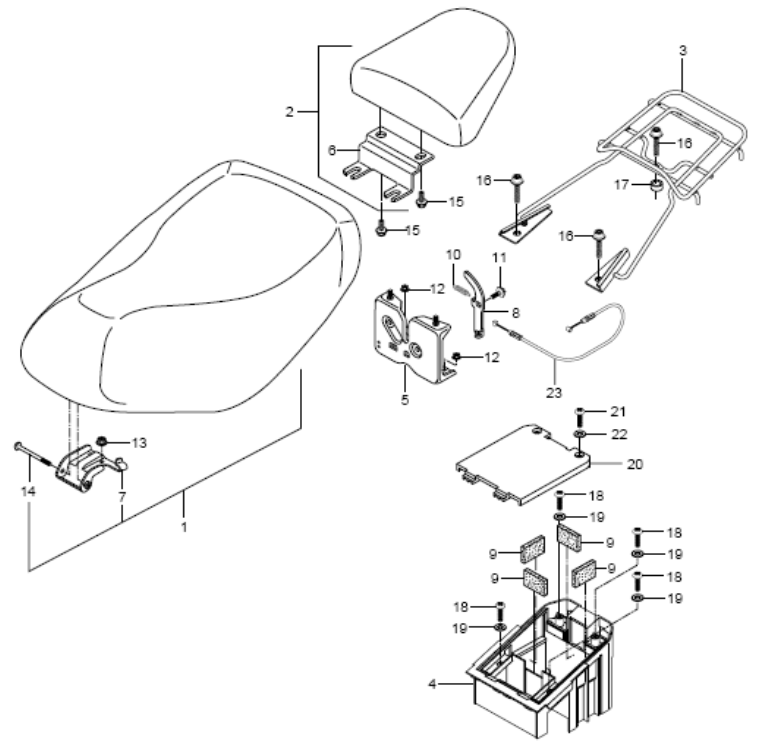


FIG 25. SIDE COVER

REF. PART NO.	NUNPART NAME	Q`TY
---------------	--------------	------

1	91311HG2604	BOX, helmet front	1
2	47211HK2710	SIDE COVER, L (COLOR)	1
3	47111HK2710	SIDE COVER, R (COLOR)	1
4	47311HG260026B	COVER, side center	1
5	92321HG260226B	COVER, helmet box inner	1
6	44668HG2600	GASKET, oil tank cap lower	1
7	09148-05020	NUT, side cover R/L	4
8	09343-05052	HOSE, helmet box drain	1
9	09401-08401	CLIP, helmet box drain hose	1
10	02152-05225	SCREW, side cover & rear combi	1
11	09169-05009	WASHER, side cover & rear combi	1
12	02142-06255	SCREW, side cover & leg shield rear	1
13	09169-06070	WASHER, side cover & leg shield rear	1
14	02142-06255	SCREW, side cover rear ctr front	1
15	09169H06077	WASHER, side cover rear ctr front	1
16	01517-06205	BOLT, helmet box & side cover front	1
17	01517-06168	BOLT, helmet box	2
17-1		SCREW	1
18	09169-06034	WASHER, helmet box & side cover front	1
19	09160-06034	WASHER, helmet box front	2
20	09148-06020	NUT, helmet box & side cover front	1
21	45700HG2630	LOCK ASSY, seat	1
22	45381HG2601	GUIDE, seat lock cable	1
23	92413HF4501	WASHER, side cover L	1
24	92414HF4500	LOCK, key set	1
25	01517-06168	BOLT, helmet box	2
26	68134HG2600	TAPE, side cover R (COLOR)	1
27	68136HG2600	TAPE, side cover L (COLOR)	1

FIG 25

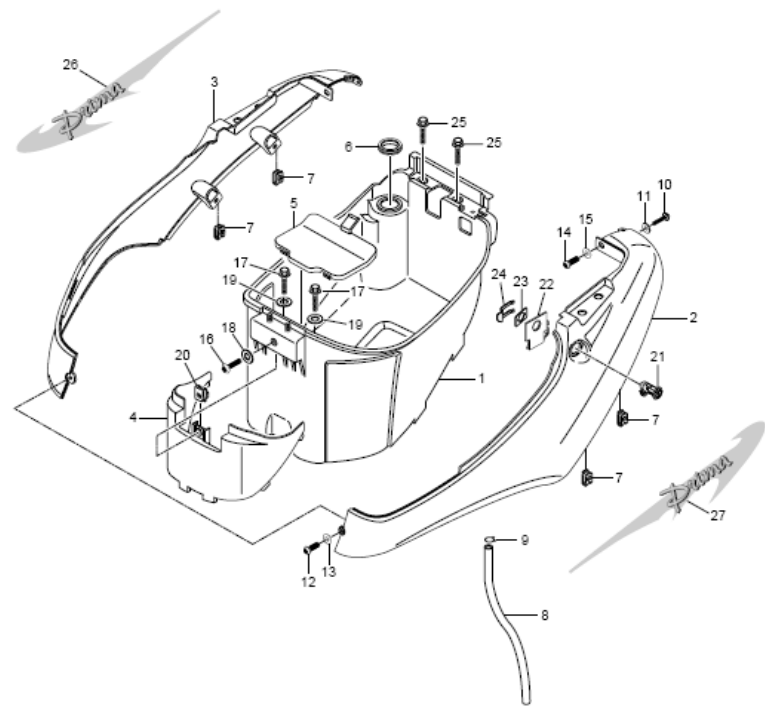


FIG 26. FRONT LEG SHIELD

REF. PART NUNPART NAME Q'TY
NO. LAT01

1	48111HG2602	SHIELD, leg front (COLOR)	1
2	92111HG260426B	COVER, leg shield	1
3	48137HG260203P	SHIELD, leg lower front	1
4	48211HG260326B	SHIELD, leg front upper	1
5	35601HG2651	LAMP ASSY, front turnsignal R	1
6	09471-12003	BULB, front turnsignal(12V 10W)	2
7	03241-05165	SCREW, front turnsignal lamp	6
8	35602HG2651	LAMP ASSY, front turnsignal L	1
9	48112HG260112B	COVER, head lamp	2
10	09111H06E06	BOLT, leg shield cover & frame	2
11	03241-05165	SCREW, leg shield cover & lower f	4
12	03241-05165	SCREW, leg shield cover & front	4
13	03241-05165	SCREW, leg shield front upper & fi	5
14	09148-05020	NUT, leg shield lower fir & leg cove	2
15	09148-06020	NUT, head lamp & leg shield front	2
16	03241-05165	SCREW, leg shield front & low fir	4
17	08322-21055	WASHER, leg shield front & low fir	4
18	03241-05165	SCREW, leg shield lo fir & cov leg	2
19	09148-05020	NUT, leg shield front & lower fir	4
20	09148-06020	NUT, leg shield low rear & front	2
21	02142-06165	SCREW, leg shield low front & fra	2
22	09169-06034	WASHER, leg shield low front & fi	2
23	68210HG2600OMN	EMBLEM, leg shield front	1
24	35612HG2600	LENS, front turnsignal R	1
25	35632HG2600	LENS, front turnsignal L	1
26	03211-04145	SCREW (M4×14)	2
27		GRILL COMP,leg shield fit	1

FIG 26

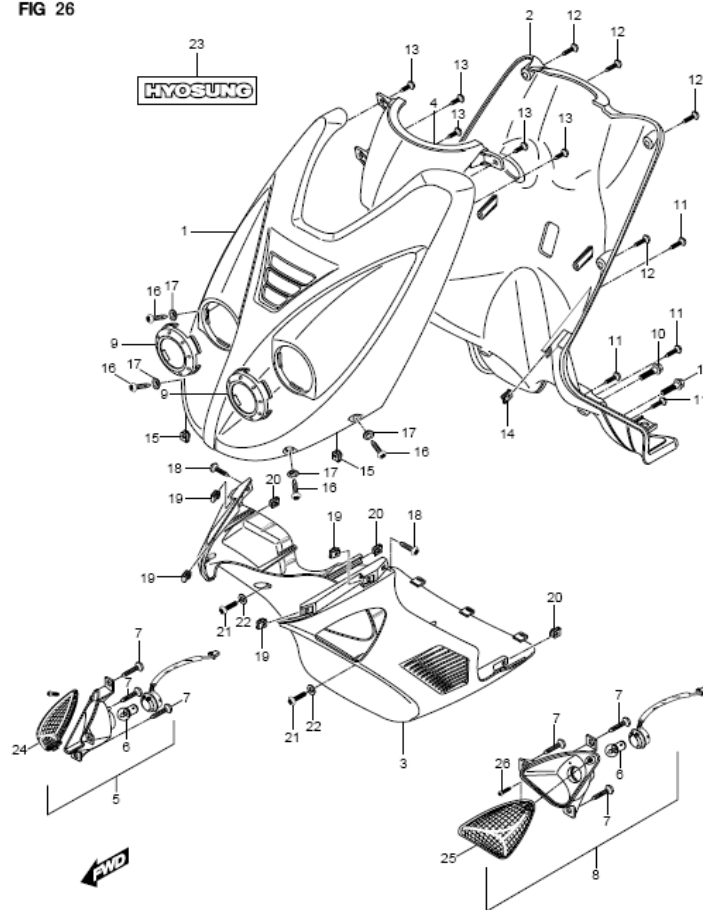


FIG 26. FRONT LEG SHIELD

REF. PART NO.	PART NAME	Q`TY
28	SCREW,leg shild ft gril	4
29	WASHER,leg shield ft gril	4
30	NUT,leg shield ft grill	4
31	PLATE,head lamp aiming	1
32	SCREW,h/lamp aiming plt	2

FIG 26

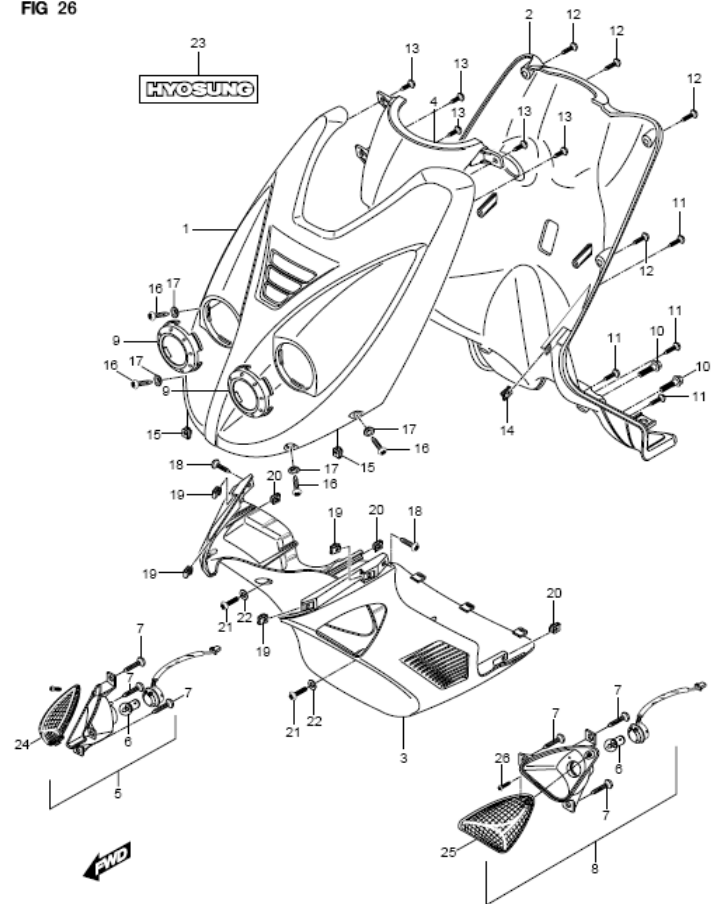


FIG 27. REAR LEG SHIELD

REF. PART NUNPART NAME Q'TY
NO. LAT01

1	48121HG260112B	SHILED, leg rear	1
2	48147HG260203P	SHILED, leg lower rear	1
3	47151HG260326B	COVER, side front R	1
4	47251HG260326B	COVER, side front L	1
5	48122HG260126B	COVER, fuel tank	1
6	43611HG2600	FOOTREST, pillion R	1
7	43621HG2600	FOOTREST, pillion L	1
8	47155HG2601	PLATE, side cov front & leg rear	2
9	09148-05020	NUT, leg shield rr& leg rr	2
10	03241-05125	SCREW, side cov fr plate & leg rr	2
11	02142-06125	SCREW, side cover front & plate	1
12	07110-06256	BOLT, pillion footrest	4
13	08322-21066	WASHER, pillion footrest	4
14	03241-05125	SCREW, side cov front & leg rear	2
15	09148-05020	NUT, side cov front & leg rear	2
16	09111H06E06	BOLT, leg shield rear & frame	4
17	03241-05165	SCREW, leg shield lo rr & leg rr	4
18	02142-06255	SCREW, leg shield lower rear & fr	2
19	09169-06034	WASHER, side cover front & plate	2
20	44200HF4500	LOCK ASSY, fuel tank	1
21	92413HF4501	WASHER, fuel tank cover	1
22	92414HF4500	LOCK, fuel tank key	1
23		LABEL,caution no.1	1
24		LABEL,caution no.2	1
25		LABEL,caution no.3	1
26		LABEL,caution no.4	1

FIG 27

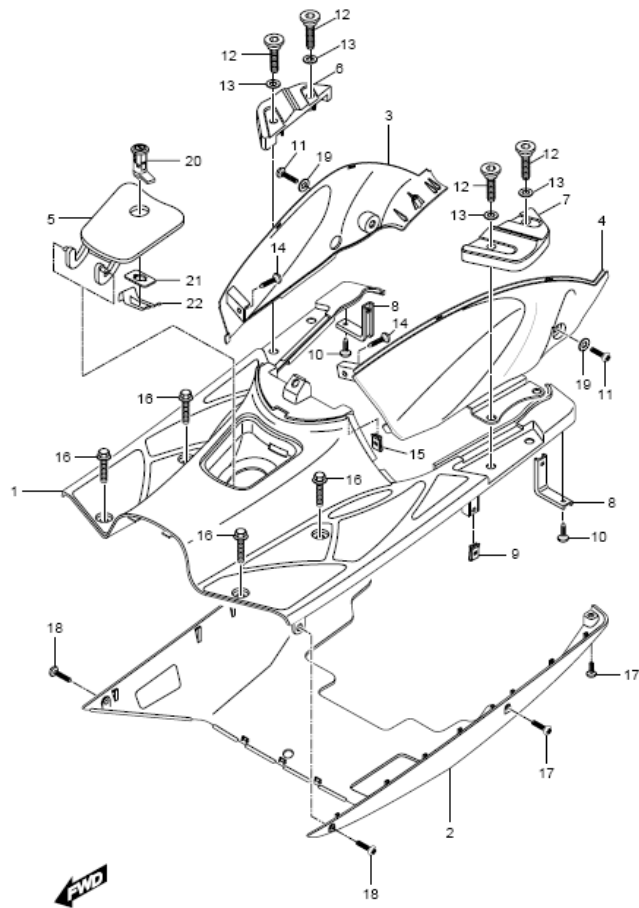


FIG 28. FRONT FORK

REF. NO.	PART LAT01	NUNPART NAME	Q`TY
0	51100HG2600HPA	FORK ASS'Y, front	1
1	51130HG2600	BOTTOM CASE COMP,R	1
2	51140HG2600	BOTTOM CASE COMP,L	1
3	51111HG2600	FORK, pipe	2
4	51412HG2600	STEM, front fork steering	1
5	51400HG2601	UNDER BRACKET ASS'Y	1
6	51351H11A00	FORK BOLT	2
7	51181H11A00	O-RING, fork bolt	2
8	51171HG2600	SPRING	2
9	51196H11A00	PISTON RING	2
10	51177H11A00	REBOUND SPRING	2
11	51146HG2600	PIPE SEAT	2
12	36618-02100	COVER, steering stem lock	1
13	51632-02400	NUT, steering stem lock	1
14	09166-26001	WASHER, steering stem lock	1
15	51631-28000	NUT, steering stem	1
16	51643-25001	DUST SEAL, steering upper	1
17	51621-28000	RACE, steering outer upper	1
18	06111-06004	BALL, steering stee	47
19	51611-20002	RACE, steering inner upper	1
20	51612-04000	RACE, steering inner lower	1
21	01174-06168	BOLT, brake hose clamp	1
22	59268HG2600	CLAMP, brake hose	1
23	01174-06168	BOLT, speedometer cable guide	1
24	51418H11A00	GUIDE, speedometer cable	1
25	51148H11A00	PACKING	2

FIG 28

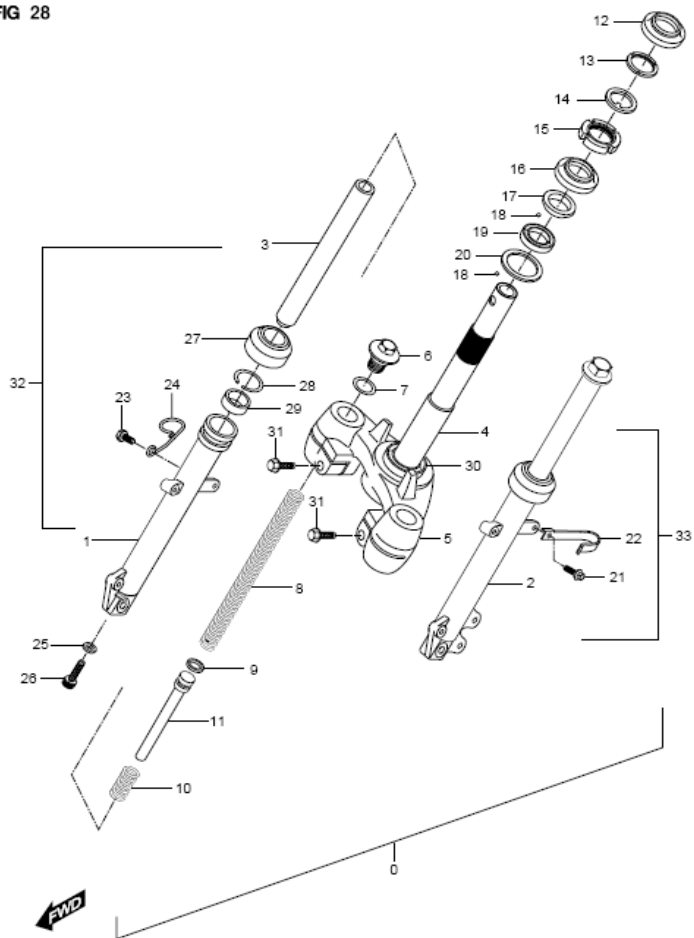


FIG 28. FRONT FORK

REF. NO.	PART NO.	PART NAME	Q`TY
26	51147H11A00	SOCKET,bolt	2
27	51173H11A00	DUST BOOT	2
28	51156H11A00	STOPPER RING,oil seal	2
29	51153H11A00	OIL SEAL,front fork	2
30	51622-04000	RACE, steering outer lower	1
31	07110-08258	BOLT, fork clip	2
31-1	08321-31086	LOCK WASHER, fork	2
32	51210HG2600	FT FORK COMP R	1
33	51220HG2600	FT FORK COMP L	1

FIG 28

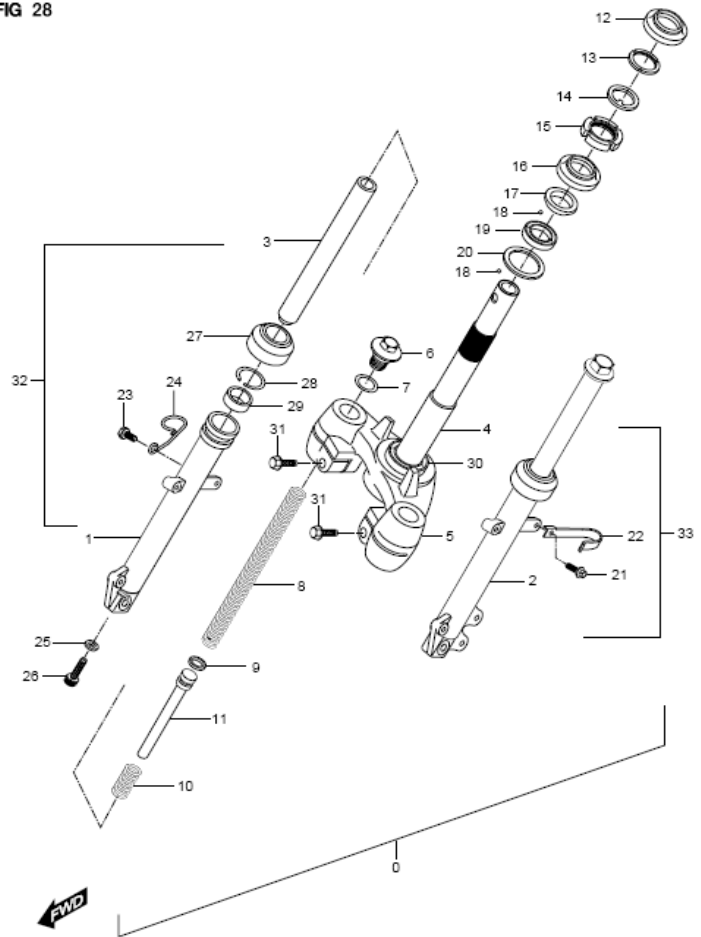


FIG 29. FRONT FENDER

REF. PART NO.	PART LAT01	NUMPART NAME	Q`TY
1	53111HG2602	FRONT, fender (COLOR)	1
2	35950HG2601	REFLEX REFLECTOR ASS'Y, sid	2
3	01104-06205	BOLT, front fender	4
4	09169-06034	WASHER, front fender	4
5	08316-26055	NUT, rear reflex reflector	2

FIG 29

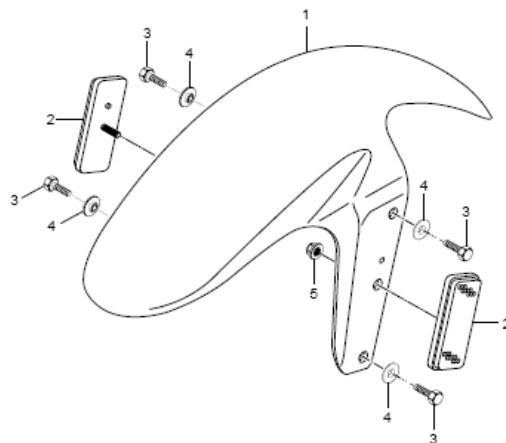


FIG 30. FRONT WHEEL

REF. NO.	PART NO.	PART NAME	Q`TY
1	54141HG2601	WHEEL COMP, front 3.00*12	1
2	08123-62007	BEARING, front wheel (6200)	2
3	54730HG2600	SPACER COMP, front wheel	1
4	54711HE7100	AXLE, front	1
5	09285-16002	DUST SEAL, front hub bearing L	1
6	54741-29C00	SPACER, front axle L	1
7	08319-31108	NUT, front axle	1
8	54600HG2600	BOX ASS'Y, speedometer gear	1
9	59211-29C10	DISC, front brake	1
10	59421-03A01	BOLT, front brake disc	3
11	55109HG2601	TIRE SET, front 110/70-12 47J	1
12	55220-29C20	VALVE ASS'Y, wheel rim	1

FIG 30

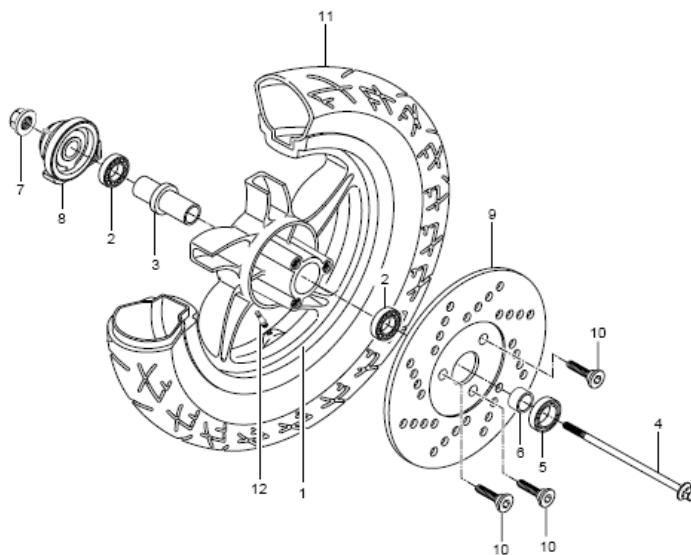


FIG 31. HANDLE BAR

REF. PART NO.	PART NAME	Q`TY
---------------	-----------	------

REF. PART NO.	PART NAME	Q`TY
1	56100HG2602 BAR COMP, handel	1
2	56500HG2660 MIRROR ASS'Y, rear view R	1
3	56600HG2660 MIRROR ASS'Y, rear view L	1
4	58300HG2604 CABLE ASS'Y, throttle	1
5	58510HG2601 CABLE COMP, rear brake	1
6	09403-09301 GUIDE, rear brake cable	1
7	01134-06128 BOLT, cable guide	1
8	58591H11A00 PLATE, rear brake cable	1
9	01134-06208 BOLT, rear brake cable plate	1
10	09103-10055 BOLT, handlebar clamp	1
11	08319-31108 NUT, handlebar clamp	1
12	56123-29C00 BOLT, handlebar	1
13	03241-05165 SCREW, handlebar & handle cover	3
14	09440H06013 SPRING	1
15	09209H11005 LEVER PIN	1
16	09150-01501 ADJUST NUT, rear brake	1

FIG 31

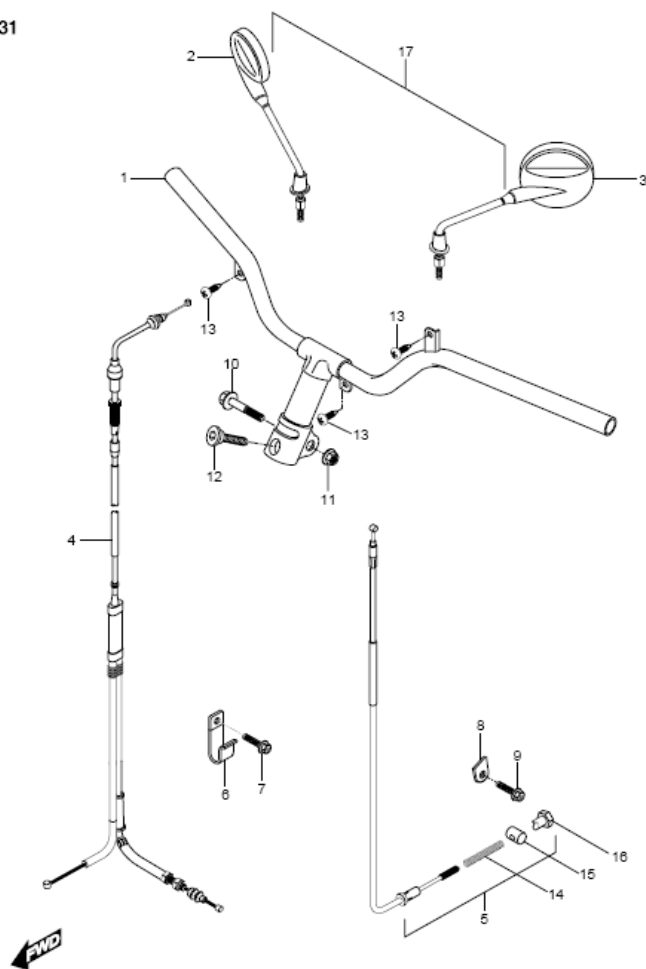


FIG 32. HANDLE COVER

REF. PART NO.	PART NAME	Q'TY
---------------	-----------	------

1	56311HG2602	COVER, handle front (COLOR)	1
2	56321HG2600	COVER, handle rear (COLOR)	1
3	37240HE6150	SWITCH ASS'Y, lighting	1
4	37220HE6100	SWITCH ASS'Y, start	1
5	37410HF4530	SWITCH ASS'Y, turn signal	1
6	37420HE6100	SWITCH ASS'Y, horn	1
6-1	37430HE6100	SWITCH ASS'Y, dimmer	1
7	56331HF1620	CAP, handle cover rear	1
8	03241-05165	SCREW, handle cover rear & front	2
9		TAPE, h/d ft	1

FIG 32

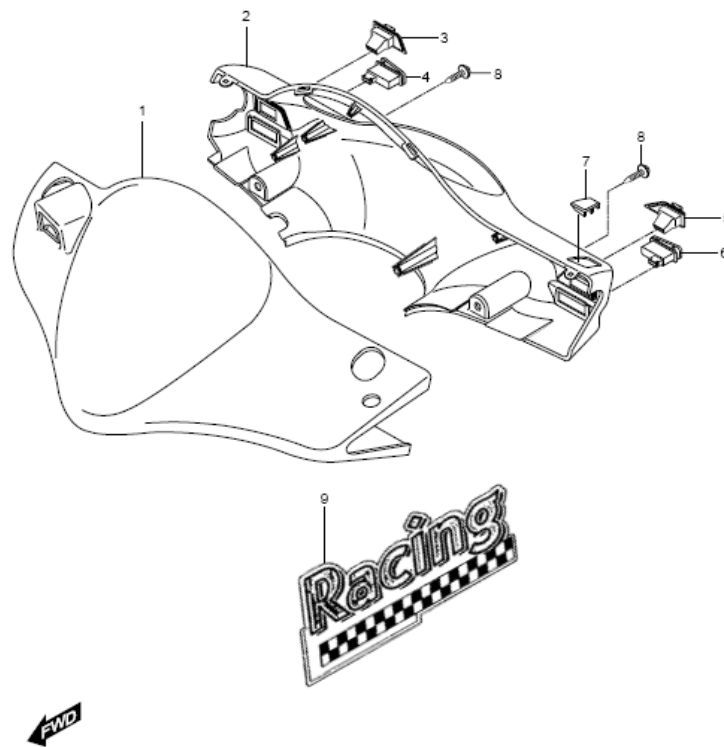


FIG 33. HANDLE SWITCH

REF. PART NO.	PART LAT01	NUMPART NAME	Q'TY
1	57110HE7101	GRIP COMP, throttle	1
2	57100-29C00	CASE ASS'Y, throttle case	1
3	02112-05205	SCREW, throttle case	1
4	57211HE7101	GRIP, L	1
5	57500HG2602	BRAKE LEVER REAR & SWITCH	1
6	57421-03A11	LEVER, rear break	1
7	02112-05255	SCREW (M5×25)	1
8	02112-05205	SCREW (M6×20)	1
9	08319-21055	NUT (M5)	1
10	57460H11200	SWITCH, rear break stop	1
11	09136-05040	SCREW, throttle case(M5×16)	1

FIG 33

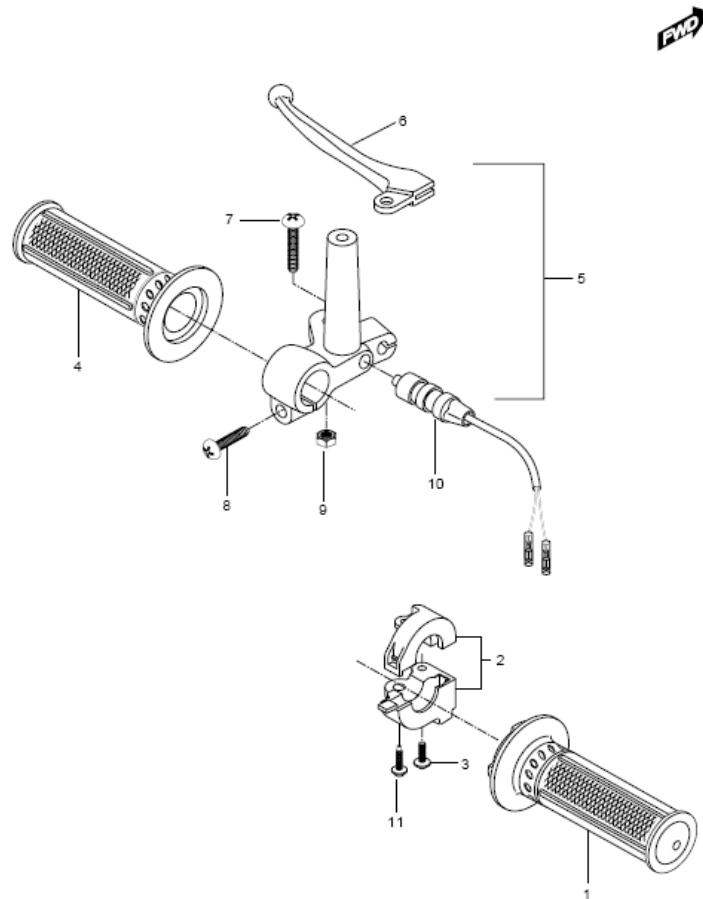


FIG 34. CALIPER

REF. PART NUNPART NAME
NO. LAT01

Q'TY

FIG 34

1	59300-03A3090U	CALIPER ASS'Y	1
2	07120-08208	BOLT, caliper	2
3	59170-03A00	SEAL	1
4	59308-03A00	BOOT	1
5	59300-03860	PAD SET	1
6	59315-36500	SRING	1
7	59313-36A00	CARRIER,LH	1
8	59312-36500	BOOT	1
9	59313-36500	INSULATOR	1
10	59121-18410	BLEEDER	1
11	59122H18420	CAP	1
12	59300-03810	PISTON SET	1
13	59360-03A30	HOUSING,caliper	1

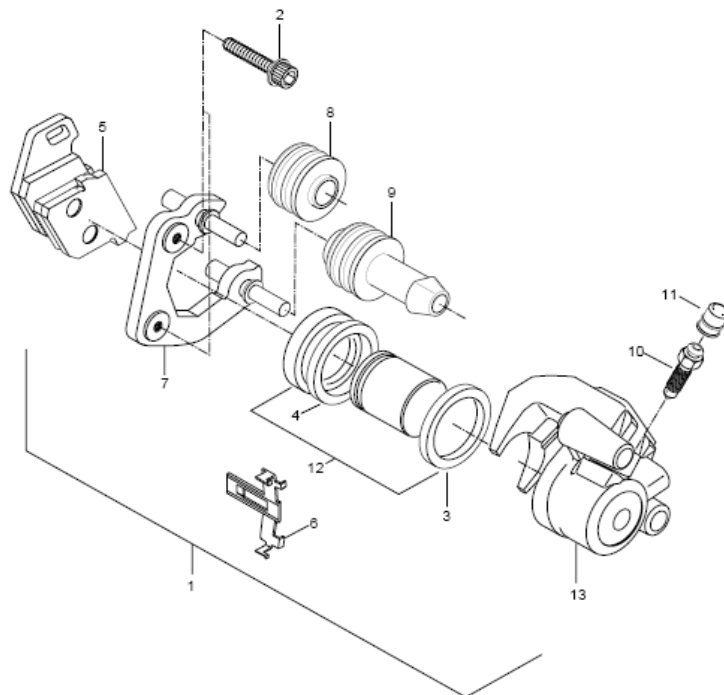


FIG 35. MASTER CYLINDER

REF. PART NO.	PART NAME	Q'TY
---------------	-----------	------

1	59600HG2601	CYLINDER SET, front master	1
2	57421HG2601	LEVER, brake	1
3	57431-13010	SCREW, brake lever pivot	1
4	08319-21065	NUT, brake lever pivot	1
5	57460-17C00	SWITCH ASS'Y, stop	1
6	02112-74108	SCREW, stop switch	1
7	09161-10005	WASHER, brake fluid	4
8	09360-10039	BOLT, brake fluid	2
9	59480HG2602	HOSE COMP, front brake	1
10	59691-35C00	SCREW	2
11	08322-21064	WASHER	1
12	01107-35C00	BOLT	1
13	59671-35C00	HOLDER	1

FIG 35

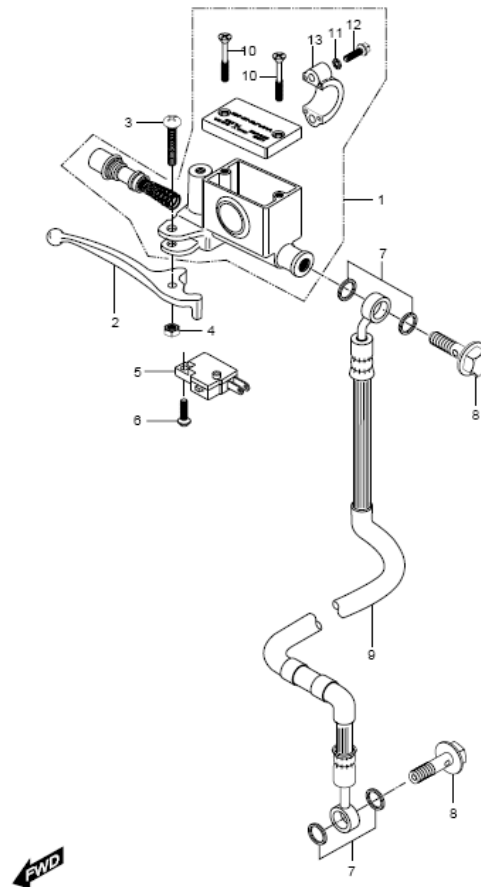


FIG 36. REAR FENDER

REF. PART NO.	NUNPART NAME	Q`TY
---------------	--------------	------

1	47161HG260626B COVER, side lower	1
2	63111HG260526B REAR FENDER, rear upper	1
3	63112HG260126B REAR FENDER, rear lower	1
4	01517-06165 BOLT, rr fen rr up & side cov lo	4
5	09169H06077 WASHER, rr fen rr up & side cov lo	2
6	09136-06017 SCREW, rear fen rear upper & lo	3
7	08316-16068 NUT, rear fender rear upper & lo	3
8	35970-24D63 REFLEX REFLECTOR ASS'Y, rear	1
9	35971HF1600 CUSHION, reflex reflector	1
10	09160-08002 WASHER, license lamp	1
11	08316-26055 NUT, rear reflex reflector	1
12	03241-05255 SCREW, side cover lo & side cover	4
13	09169-05009 WASHER, side cover lo & side cover	4
14	09148-05039 NUT, side cover lower	1
15	62100HG2602 ABSORBER ASS'Y, rear shock	1
16	09103-10019 BOLT, rear shock absorber	2
17	09169-06034 WASHER, rr fender rr up& side cover	2
18	02142-05305 SCREW, side cover lower & frame	2
19	09169-05009 WASHER, side cover lower & frame	2
20	TAPE,side rr reflex reflector	2
21	LAMP,license plt lamp	1
22	BOLT, license plt lamp	2
23	NUT, license plt lamp	2
24	BKT, license plate	1

FIG 36

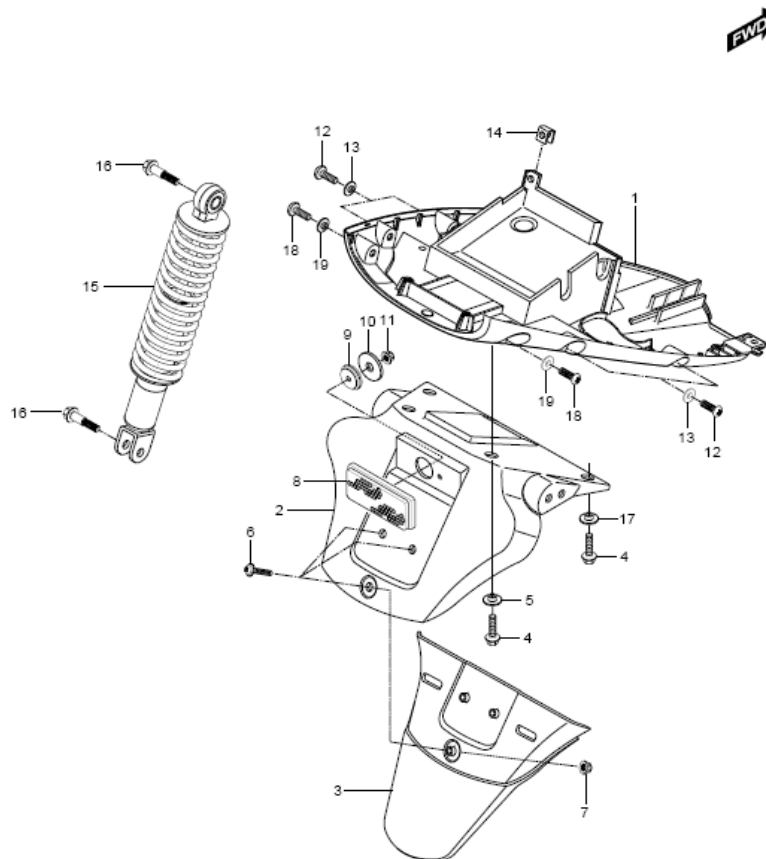


FIG 37. REAR WHEEL

REF. PART NO.	PART LAT01	NUNPART NAME	Q`TY
1	64140HG2601	WHEEL COMP, rear 3.00x12	1
2	65109HG2601	TIRE SET, rear 120/70-12 51J	1
3	64400HG2600	SHOE COMP, brake	2
4	09443H08025	SPRING, brake shoe	2
5	64441H11201	CAM, rear brake	1
6	64451-02111	LEVER, rear brake cam	1
7	12812-30A00	BOLT, rear cam lever	1
8	08316-16068	NUT, rear brake cam lever	1
9	09160-16025	WASHER, rear axle	1
10	08319-21168	NUT, rear axle	1
11	55220-29C20	VALVE ASS'Y, wheel rim	1
12	63115HG260626B	REAR FENDER, front	1
13	09169-06034	WASHER, rear fender front	4
14	02142-06165	SCREW, rear fender front	4
15	09800HK3100	TOOL SET	1

FIG 37

