



 **HYOSUNG**
MOTORS & MACHINERY INC.

REFERENCE

1.The detailed specifications of each model are referred by the persons who are in charge of overseas marketing team, Hyosung.

2.Special demand

When you order any colored parts, please add color code to the end of parts number and it will be helpful to register your parts order.

※ Color code

CLG : LIGHT GRAY

CTR : TWINKLE RED

HYOSUNG

FIG 1. CYLINDER

REF.	PARTS NAME	Q'TY
NO. PAT01		
1	HEAD, cylinder	1
2	GASKET, cylinder head	1
3	NUT, cylinder head (M6)	4
4	SPARK PLUG (B8HS)	1
5	CYLINDER	1
6	GASKET, cylinder	1
7	STUD BOLT, cylinder	4

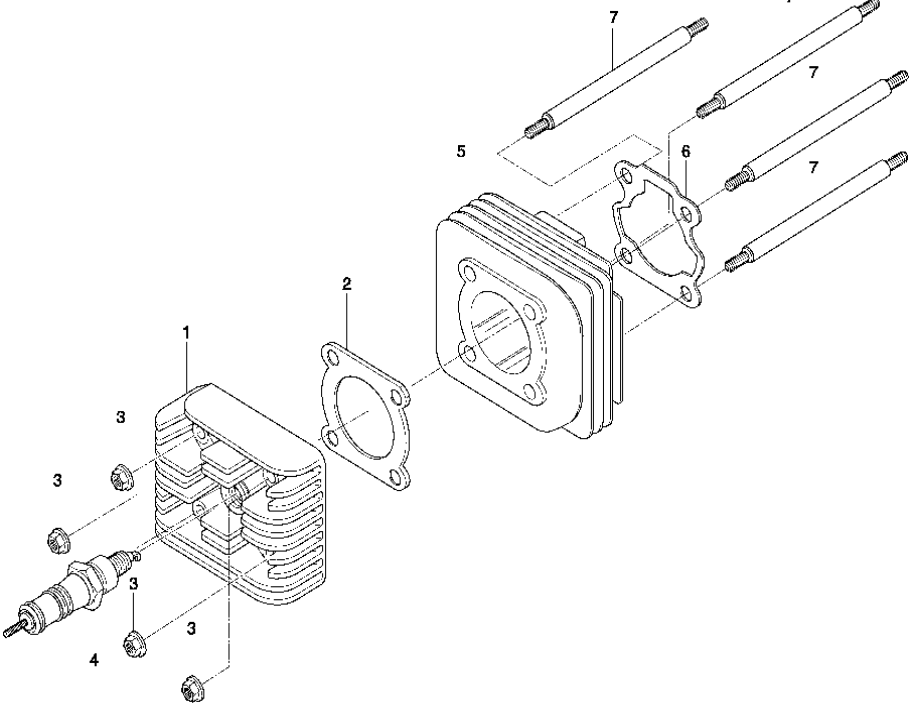


FIG 2. CRANK CASE

REF.	PARTS NAME	Q'TY
NO. PAT01		
1	11311HG2650HPA CRANKCASE, R	1
2	09319-10030 BUSH, engine mounting	2
3	04213-09129 KNOCK PIN, crankcase	2
4	11321HG2650HPA CRANKCASE, L	1
5	09319-10032 BUSH, rear shock absorber	1
6	09404-06401 CLAMP, intake pipe	1
7	02112-06508 SCREW, crank case(M6×50)	3
8	02112-06558 SCREW, crank case(M6×55)	2
9	11431HN3250PCR COVER, gear box	1
10	11484HG2602 CUSHION, clutch cover upper	1
11	11385HG2601 CUSHION, clutch cover lower	1
12	01514-08128 BOLT, oil level(M8×12)	1
13	09168-08008 GASKET, oil level bolt	1
14	01547-06308 BOLT, gear box cover(M6×30)	6
15	04213-11149 KNOCK PIN, gear box cover	2
16	09168H10003 GASKET, oil drain bolt	1
17	09247-100A8 PLUG, oil drain	1
18	11484HG2601 GASKET, gear box cover	1
19	13110HG2600 PIPE COMP, intake	1
20	13126HF1601 GASKET intake pipe	1
20-1	13126HF1601 GASKET intake pipe	2
21	13150HF1600 VALVE ASS'Y, reed	1
22	13125HF1601 GASKET, reed valve	1
23	02112-96256 SCREW, intake pipe(M6×25)	3
23-2	09139H06026 SCREW, intake pipe(M6×25)	1
24	09128-06005 SCREW, carburetor	1
24-2	09139H06021 SCREW, carburetor	1
25	08316-26108 NUT, engine mount	1
26	09103H10132 BOLT, engine mount(M10)	1
27	09250H11005 PLUG, oil filler	1
28	64231-07903 PIN, rear brake anchor	1
29	16910-09401 UNION COMP	1
30	13127HG2650 PLATE,INTAKE PIPE	1

FIG

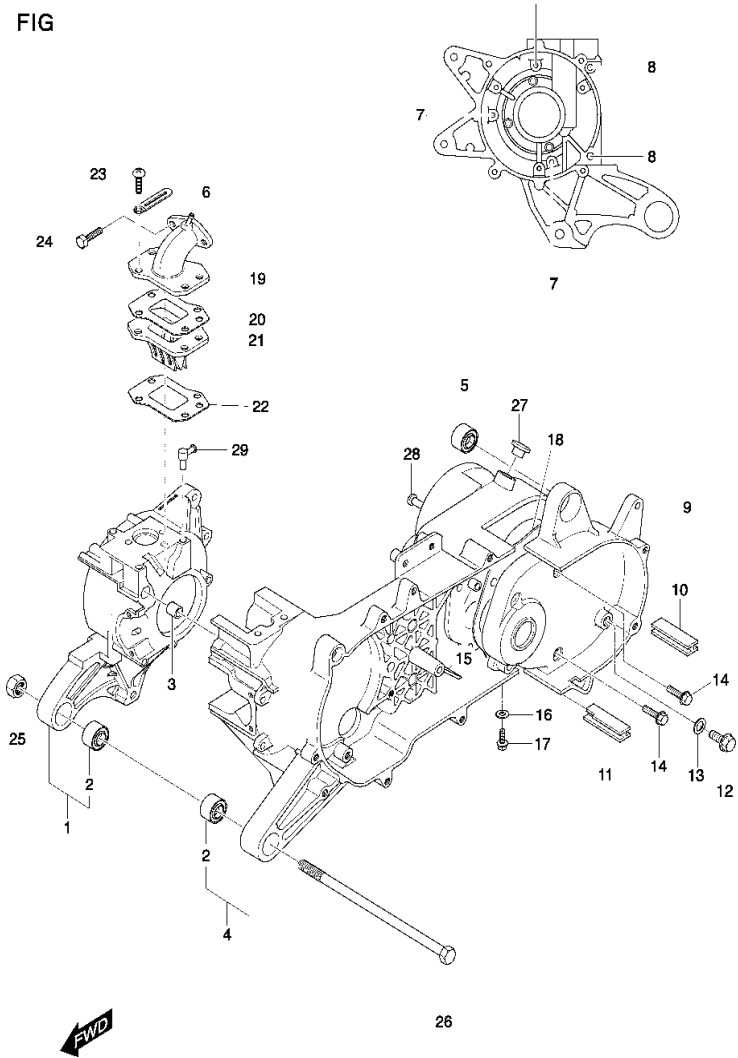


FIG 3. CLUTCH COVER

REF.	PARTS NAME	Q`TY
NO. PAT01		
1	11341HG2603121 COVER, clutch	1
2	11482HG2601 GASKET, clutch cover	1
3	04213-11149 KNOCK PIN, clutch cover	2
4	BOLT, clutch cover(M6×25)	6
4-1	01547-06258 BOLT, clutch cover(M6×25)	5
4-2	09139H06026 SCREW,CLUTCH COVER	1
5	01547-06358 BOLT, clutch cover(M6×35)	1
6	01547-06608 BOLT, clutch cover(M6×60)	1
7	09285-14001 OIL SEAL, kick shaft	1

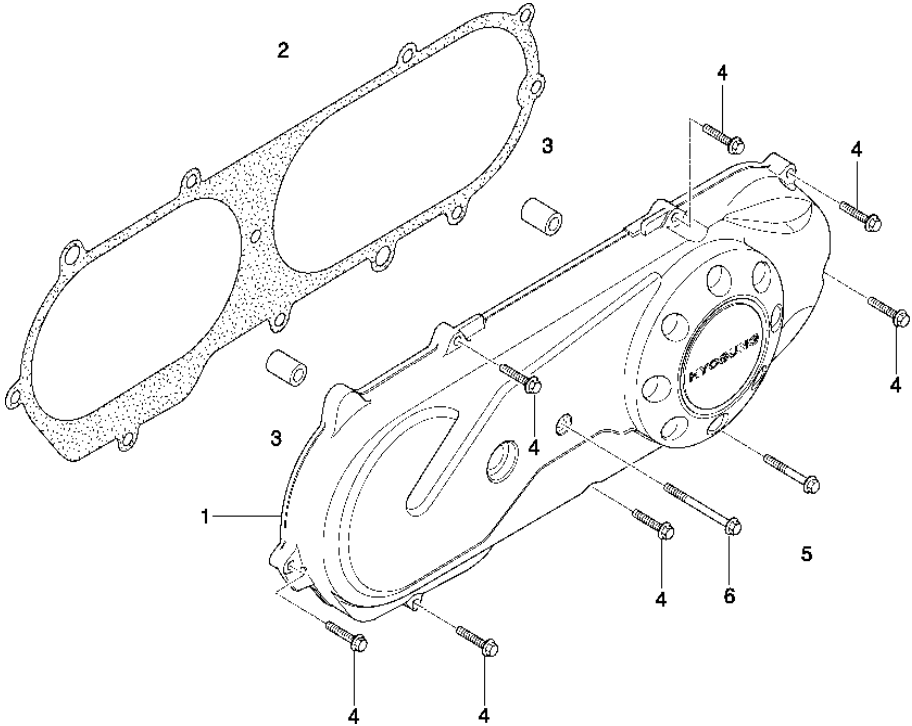


FIG 4. CRANK SHAFT

REF. PARTS NAME Q'TY
 NO. PAT01

REF.	PARTS NAME	Q'TY
1	12110H11214PSA PISTON COMP	1
2	12141-35010 RING, piston 1st	1
3	12142-29C10 RING, piston 2nd	1
4	12149-29C10 RING, piston expander	1
5	12151-46501 PIN, piston	1
6	09381-10006 CIRCLIP, piston pin	2
7	12200HG2600HPA SHAFT ASS'Y, crank	1
8	12161-37B02 ROD, connecting	1
9	12211H11201888 PIN, crank	1
10	12221HG2600CSA CRANKSHAFT, R	1
11	12261H11A00CSA CRANKSHAFT, L	1
12	09263H16004 BEARING, crank pin	1
13	09262H250A2 BEARING, crankshaft R(28×68×18)	1
14	09262H250A2 BEARING, crankshaft L(28×68×18)	1
15	09283-25083 OIL SEAL, crankshaft L(23.9×37×6)	1
16	09283-25083 OIL SEAL, crankshaft R No. 2(23.9×	1
17	09284-20051 OIL SEAL, crankshaft R No. 1(20×4	1
18	09160H16040 THRUST WASHER, connecting rod	2
19	12620HG2600 GEAR COMP, starter driven	1
20	09180H18005 SPACER, crankshaft oil seal	1
21	09263H10003 BEARING, piston pin(10×14×12.5)	1
22	12110S11214HPA PISTON ASS'Y	1

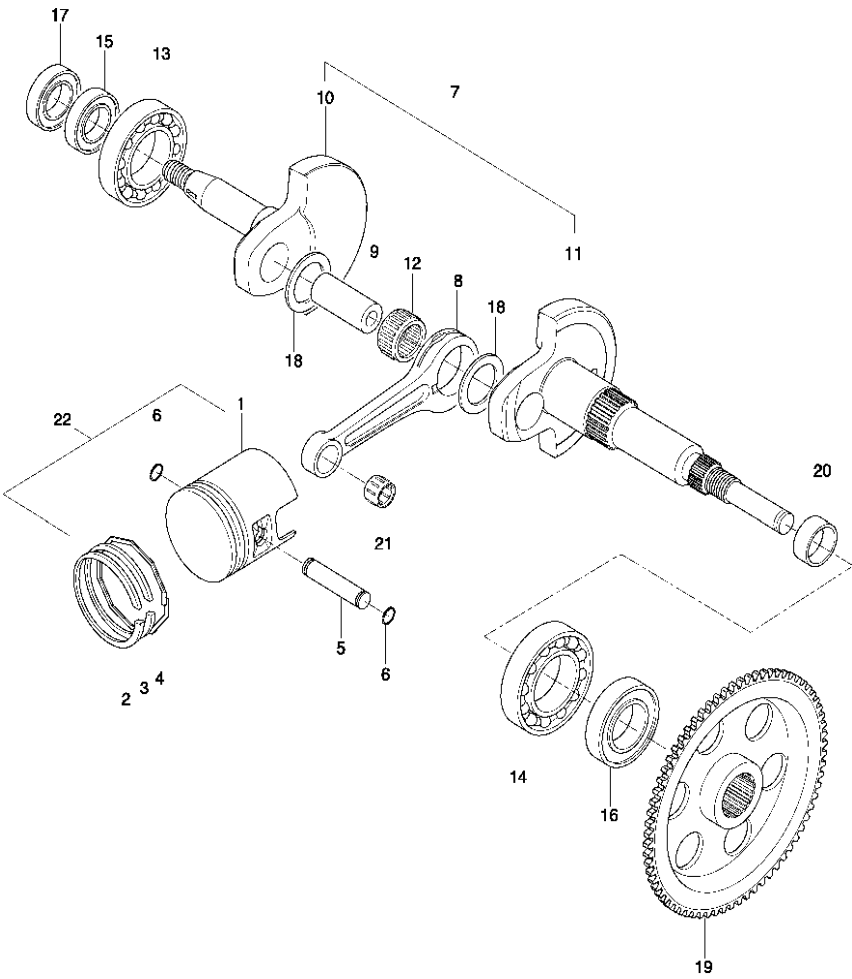


FIG 5. CARBURETOR

REF. NO.	PARTS NAME	Q'TY
1	13091HN3251 CARBURETOR ASS'Y	1
2	13681HG2600 CAP,carburetor top	1
3	13551HG2601 VALVE,piston(CA)	1
4	13258HG2600 O-RING	1
5	09492H27030 JET,pilot(PJ)	1
6	09494H00030 JET,needle(NJ)	1
7	09491H65001 JET,main(MJ)	1
* POWER UP KIT : 09471-70013 (MAIN JET)		
8	13245HG2600 BODY ASS'Y,float	1
9	13602-05108 SCREW(M5 X 10)	1
10	13557HG2600 PLATE	1
11	13411HG2600 PLUNGER ASS'Y	1
12	13573HG2600 SPRING	1
13	09408H00001 CLIP	1
14	13601-05148 SCREW	2
15	13394HG2600 E-RING	1
16	13383HG2630 NEEDLE,jet(JN)	1
17	13278HG2600 O-RING	1
18	13247-13A00 SCREW	1
19	13684HG2600 HOSE(5 X 8 X 125)	1
20	13254HG2600 PIN	1
21	13602-04088 SCREW	1
22	13370HG2600 VALVE ASS'Y,needle(VS)	1
23	13250-29C50 FLOAT ASS'Y	1
24	13295-29900 O-RING	1
25	13606-47A00 WASHER	1
26	13268-35010 SPRING	2
27	13279HG2600 ADJUSTER(AS)	1

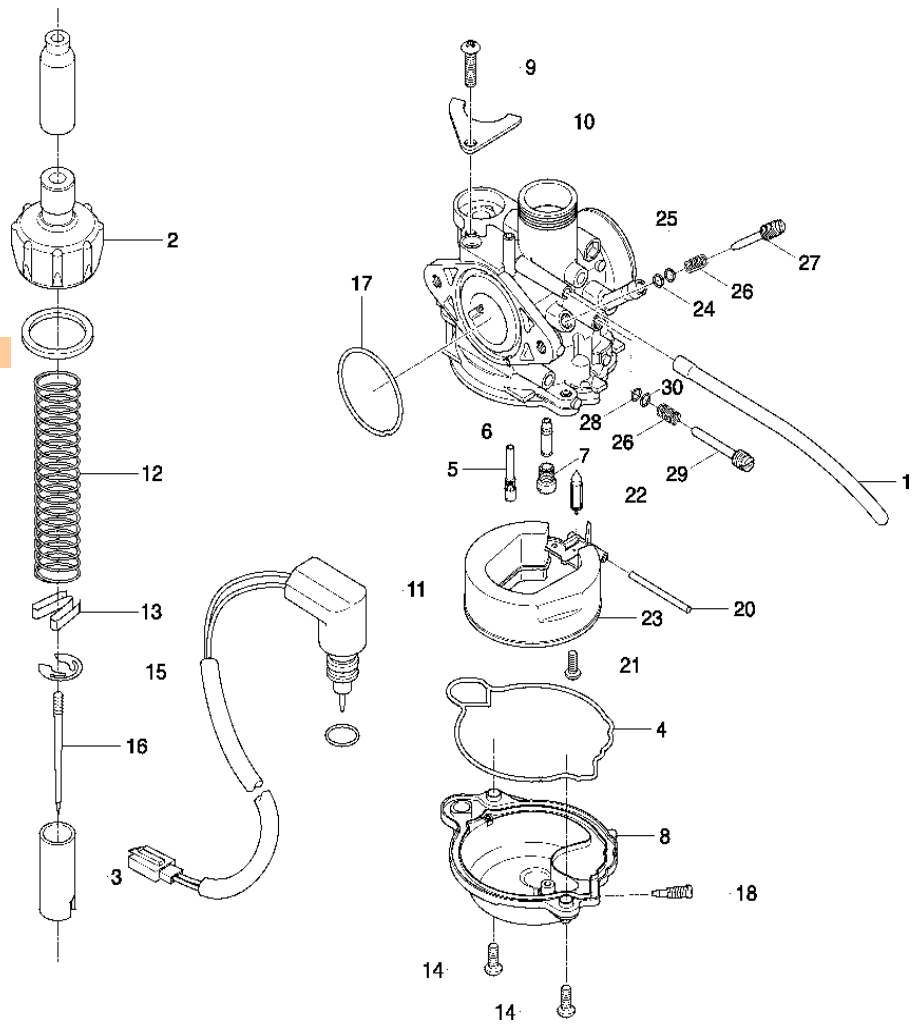


FIG 5. CARBURETOR

REF.	PARTS NAME	Q'TY
28	O-RING	1
29	SCREW,adjuster	1
30	WASHER	1
30	HEAT CARBURETOR	1
31	THERMO SW CARB	1

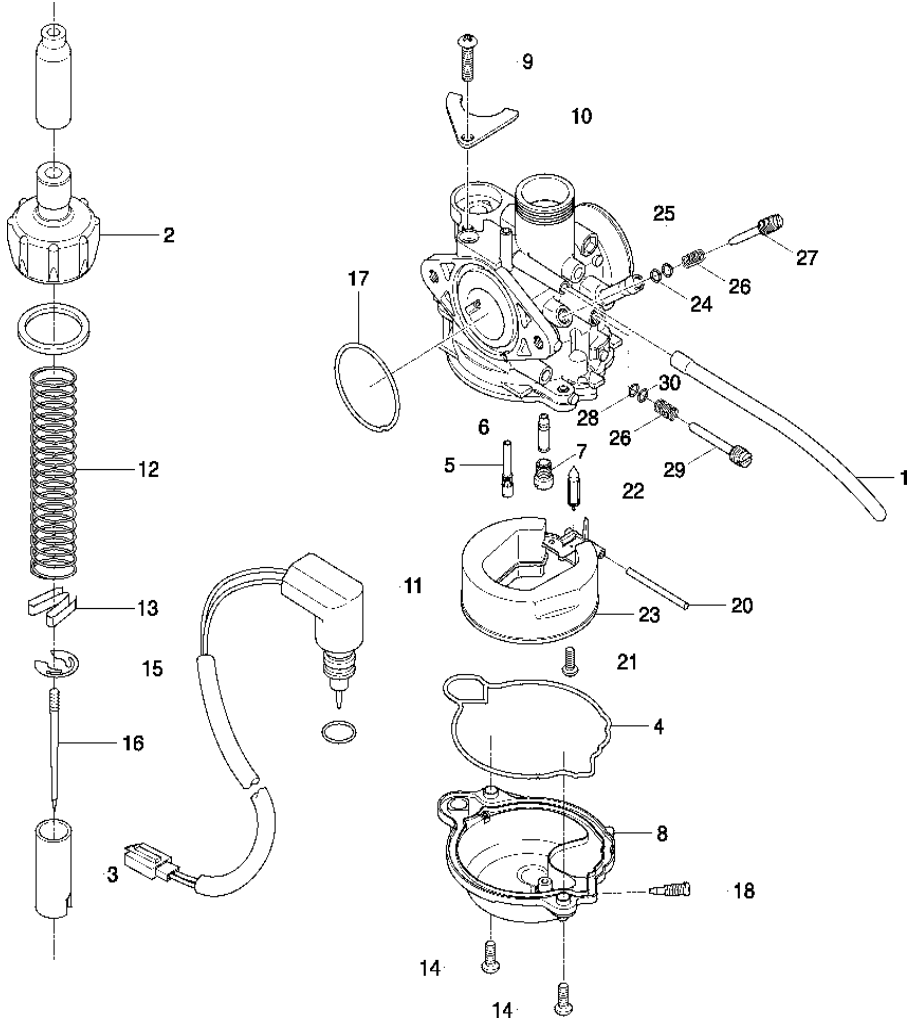


FIG 6. AIR CLEANER

REF. PARTS NAME Q'TY
 NO. PAT01

1	13700HG2603	CLEANER ASS'Y, air	1
2	13720HG2603	CASE COMP, air cleaner	1
3	13751HG2601	TRAP, air cleaner	1
4	13781HG2601	FILTER, air cleaner	1
5	13740HG2603	CAP COMP, air cleaner	1
6	13881HG2601	TUBE, outlet	1
7	09402-42207	CLAMP, outlet cleaner	1
8	03151-06258	SCREW, air cleaner cap(M6×25)	1
9	09169H06048	WASHER, air cleaner cap	1
10	02142-05165	SCREW, air cleaner cap(M5×16)	7
11	01547-06303	BOLT, air cleaner(M3×30)	2
12	13725HF4500	COLLAR, air cleaner	2

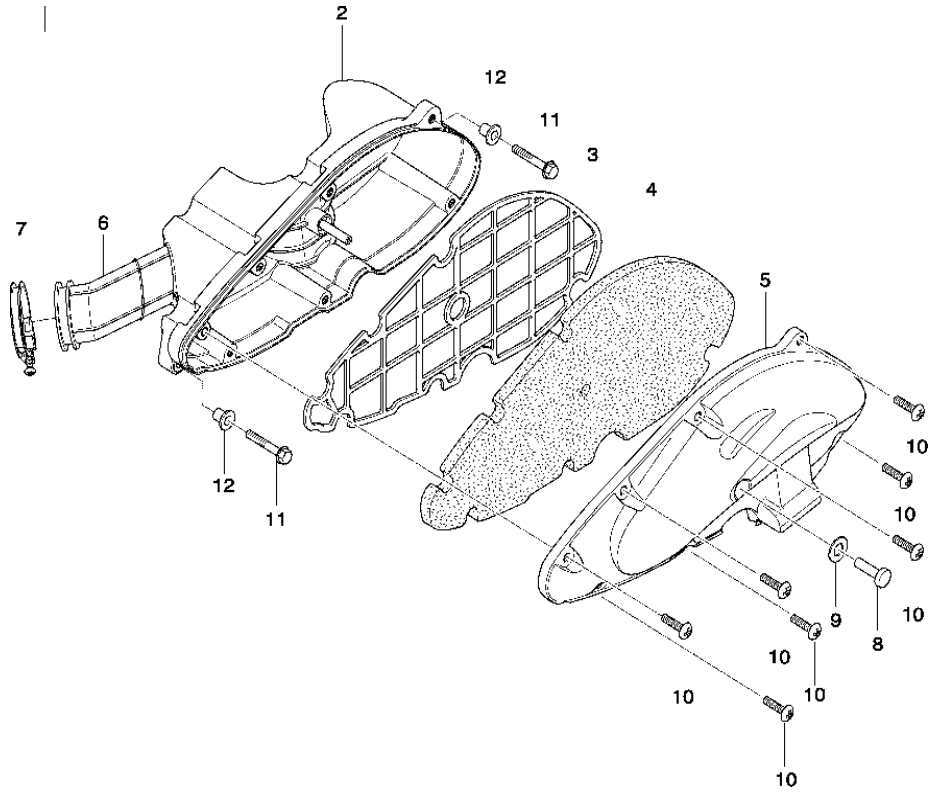


FIG 7. MUFFLER

REF.	PARTS NAME	Q'TY
NO. PAT01		
0	14300HN3250PAH MUFFLER ASS'Y	1
1	14310HN3250PAM BODY COMP, muffler ~ KM4CA15C341108515	1
1~1	14310HN3252PAM BODY COMP, muffler KM4CA15C341108516 ~	1
2	14150HN3200PAM PIPE, exhaust pipe	1
3	14182HN3201 GASKET, exhaust connector flange	1
4	01107-06168 BOLT, exhaust connector flange	3
5	08313-11068 NUT, exhaust connector flange	3
6	14780HN3200PAM COVER COMP, muffler	1
7	02112-36105 SCREW, muffler cover(M6×10)	3
8	14181HG2600 GASKET, exhaust pipe	1
9-1	01137-06258 BOLT, exhaust pipe(M6×25)	1
9-2	09139H06021 SCREW, EX PIPE	1
10	01177-08268 BOLT, support bracket(M8×26)	2
11	18500HN3250 VALVE ASS'y, 2nd air	1
12	18631HN3250 HOSE, 2nd air valve	2
13	18610HN3251PAM PIPE COMP, 2nd air	1
14	02142-06203 SCREW	2
15	02142-06165 SCREW	2

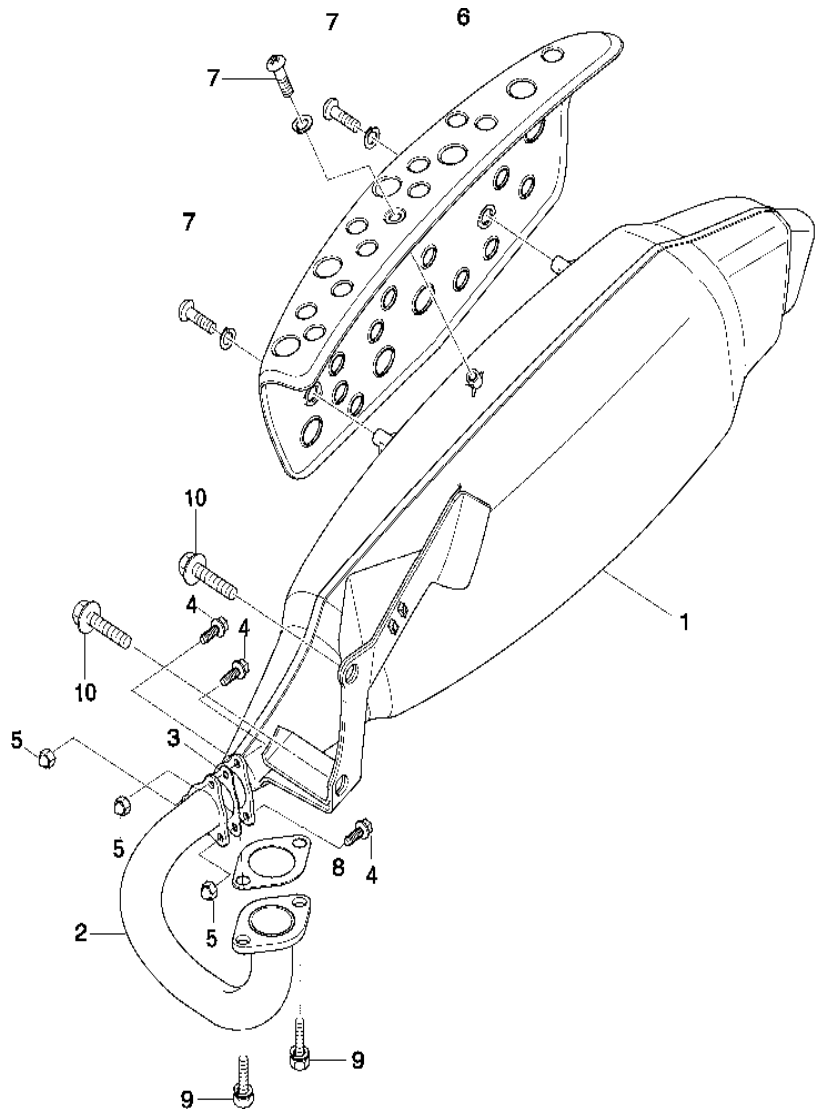


FIG 8. OIL PUMP

REF.	PARTS NAME	Q'TY	
NO. PAT01			
1	16100HG2601	PUMP ASS'Y, oil	1
2	09280H20002	O-RING, oil pump	1
3	16331H11200	GEAR, oil pump pinion NT:30	1
4	02112-35168	SCREW, oil pump(M5×16)	2
5	09401-04401	CLIP, oil hose No.1	1
6	16631HG2600	BRACKET, oil pump cable adjust	1
7	02112-06128	SCREW, oil pump bracket	2
8	09401-08401	CLIP, oil hose No2	1

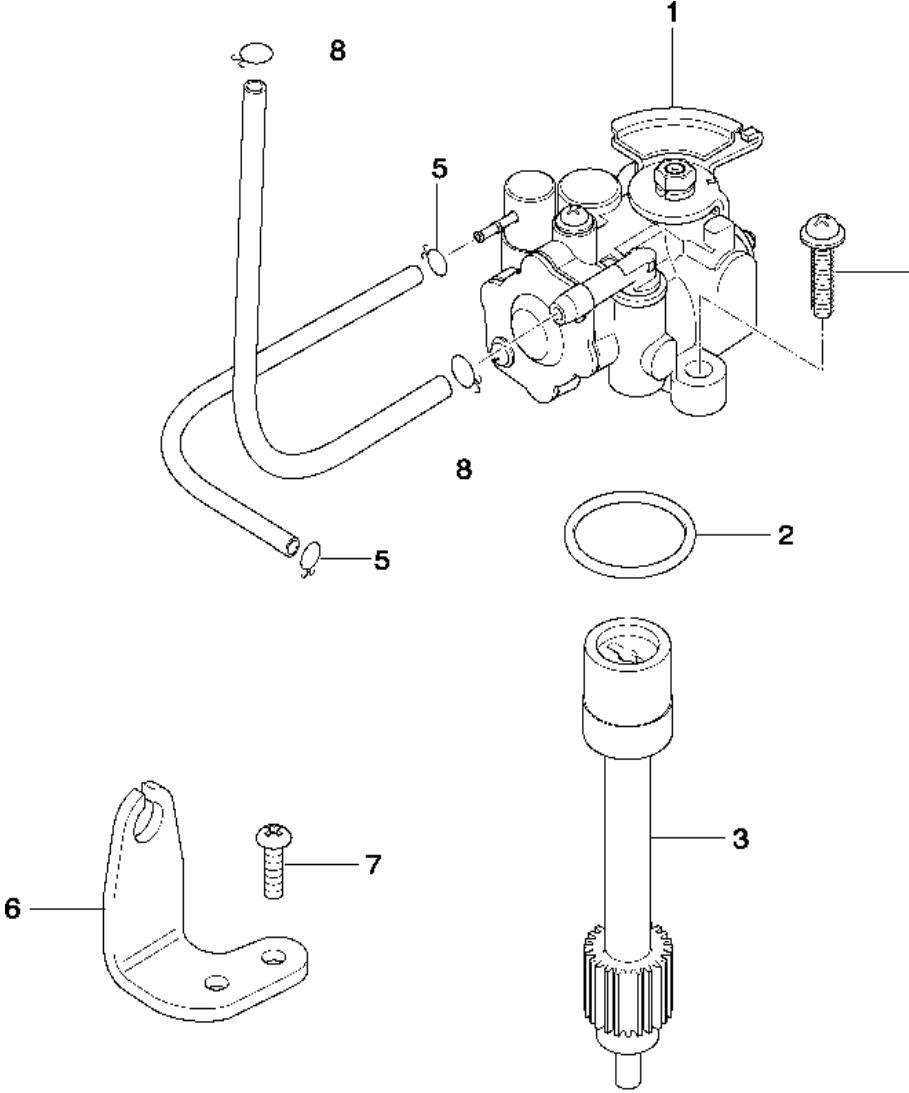


FIG 9. COOLING FAN

REF.	PARTS NAME	Q'TY	
NO. PAT01			
0	17110H11200	FAN COMP, cooling	1
1	17111H11200	FAN, cooling	1
2	17140HG2600	CASE COMP, fan	1
3	17130HG2601	COWLING COMP, fan	1
4	17120HG2601	COWLING COMP, cylinder	1
5	17134-02900	SPACER	2
6	02112-96168	SCREW(M6×12)	2
7	02152-06168	SCREW(M6×16)	4
8	03151-06205	SCREW(M6×20)	1
9	03151-06205	SCREW(M6×16)	5
10	02112-96168	SCREW	2
11	09404-06401	CLAMP	1
12	17122H11200	CUSHION	1

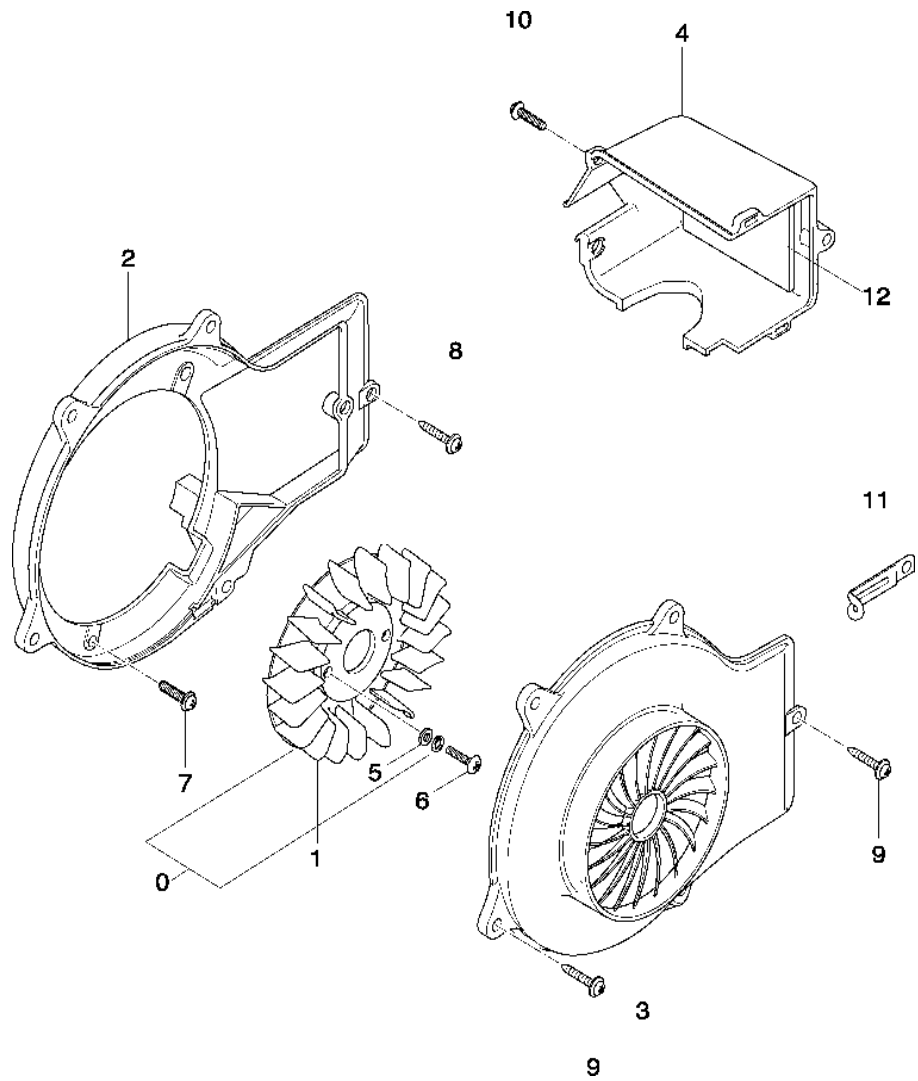


FIG 10. TRANSMISSION[1]

REF.	PARTS NAME	Q'TY
NO. PAT01		
1	27601HG2600 V-BELT, drive	1
2	21110H11A02 FACE COMP, fixed drive	1
3	21120HE7100 FACE COMP, movable drive	1
4	21431HE7100 PLATE, movable drive	1
5	21481HE7100 DAMPER, movable drive face plate	3
6	21650HG2600HPA ROLLER MOVABLE DRIVE ASS'	6
7	21122-37B01 COVER, movable drive face	
8	02142-04108 SCREW, movable drive face(M4×10)	
9	09180H16021 SPACER, movable drive	1
9~2	09180H22023 SPACER, movable drive	1
~ KM4CA15C341108079		
10	08332-11079 E-RING, kick starter driven spacer	1
11	26280-29C00 GEAR COMP, kick starter driven N°	1
12	26282H11A00 NUT, kick starter driven(M12)	1
13	09440H14007 SPRING, kick starter driven	1
14	26283H11200 SPACER, kick starter driven	1

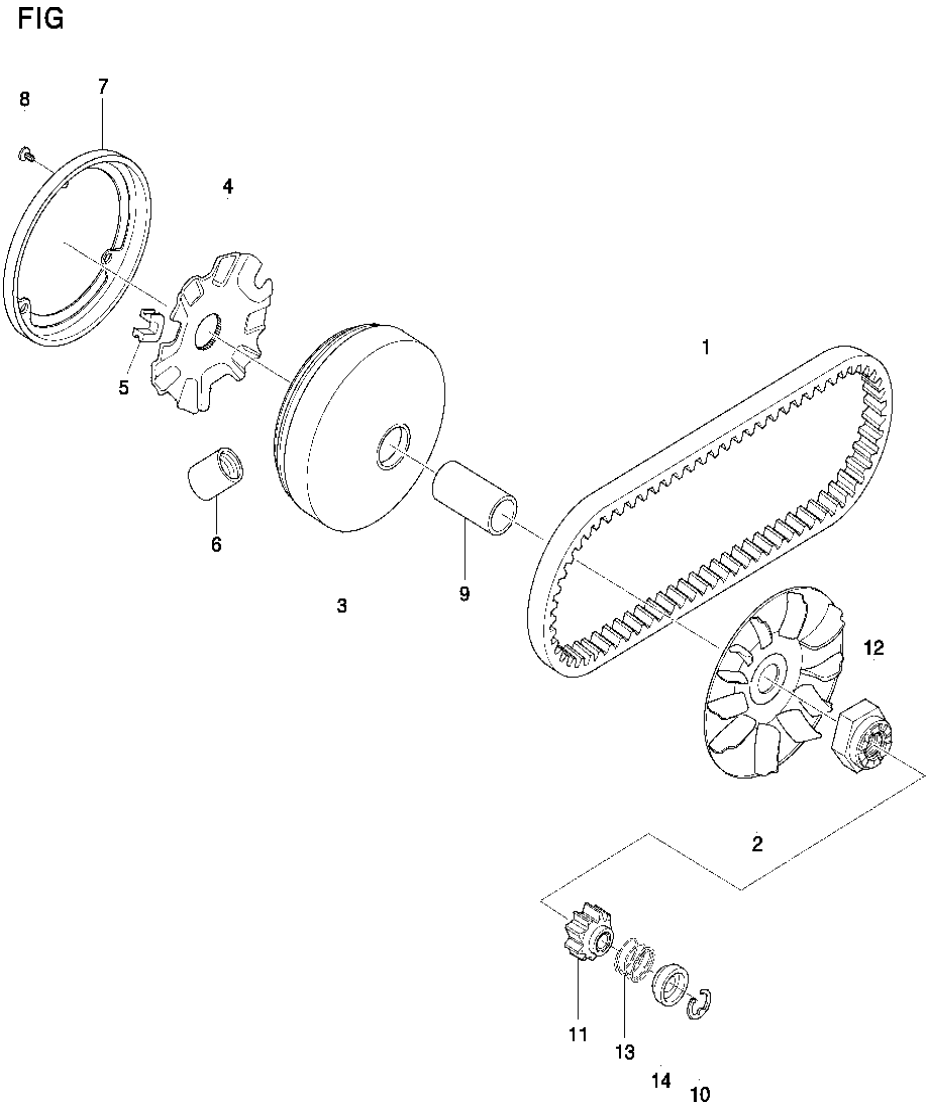


FIG 11. TRANSMISSION[2]

FIG

REF. NO.	PAT01	PARTS NAME	Q'TY
0	21091HG2601	PULLEY SET, driven	1
1	24111H11223	SHAFT, drive 14T	1
2	21210-09E02	FACE COMP, fixed driven	1
3	09201H06002	PIN, movable driven	3
4	09180H06042	SPACER, movale driven pin	3
5	09440H52003	SPRING	1
6	21240HG2600	FACE COMP, movable driven	1
7	09284-34002	OIL SEAL, movable driven (34x39x	2
8	09280-41005	O-RING, movable driven (39.x1.6)	2
9	21471-03A03	SHEET, movable driven face	1
10	09263H17001	BEARING, fixed driven R (17x25x1	1
11	21220-04C12	HOUSIGN COMP, clutch	1
12	21501HG2600	CLUTCH ASS'Y, shoe (NA)	1
13	09140H28004	NUT(M28)	1
14	08316-26108	NUT(M10)	1
15	24310H11A01HPA	GEAR ASS'Y, counter driven	2
16	09160-15034	THRUST WASHER, counter shaft R	2
17	08113-62010	BEARING (12x32x10)	1
18	08113-62020	BEARING (15x35x11)	1
19	02122-06168	SCREW, retainer(M6x16)	2
20	09262H17001	BEARING (17x47x14)	1
21	08120H69017	BEARING (12x24x6)	1
22	09283H17002	OIL SEAL (17x27x5)	1
23	24141HG2600	SHAFT, rear axle	1
24	24331H11220	GEAR, final (40T)	1
25	08331-31229	CIRCLIP	2
26	09283-27010	OIL SEAL (27x40x7)	1

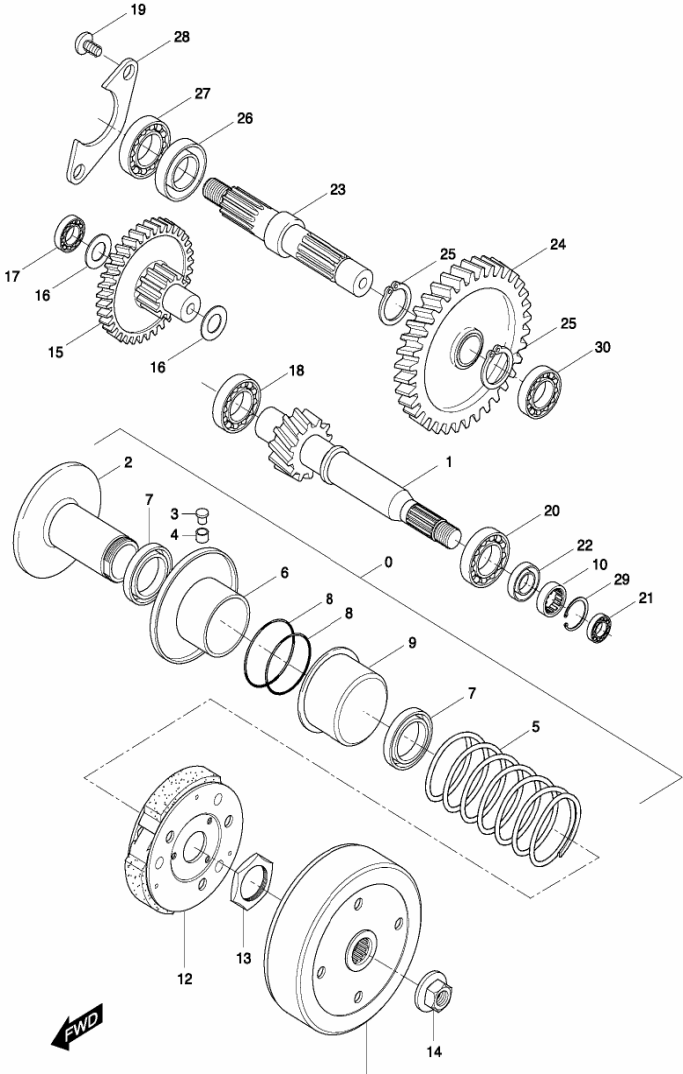


FIG 11. TRANSMISSION[2]

FIG

REF. PARTS NAME Q'TY
 NO. PAT01

27	08130-62047	BEARING (20x47x14)	1
28	24751H07900	RETAINER	1
29	08331-41249	CIRCLIP	1
30	08113-62030	BEAREING (17x40x12)	1

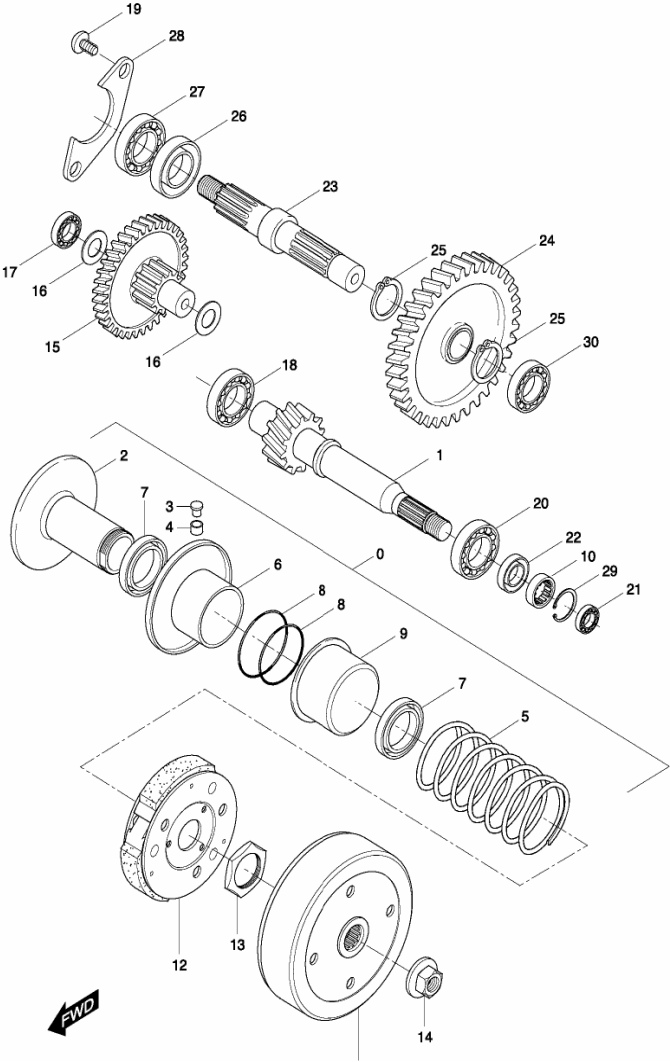


FIG 12. KICK STARTER

REF. PARTS NAME Q'TY
NO. PAT01

REF.	PARTS NAME	Q'TY	
1	26210HF1601	SHAFT COMP, kick starter	1
2	02142-06108	SCREW(M6×10)	1
3	09448-58003	SPRING	1
4	08331-31149	CLRCLIP	1
5	26300-41D00	LEVER ASS'Y, kick starter	1
6	01107-06208	BOLT, kick starter lever(M6×20)	1

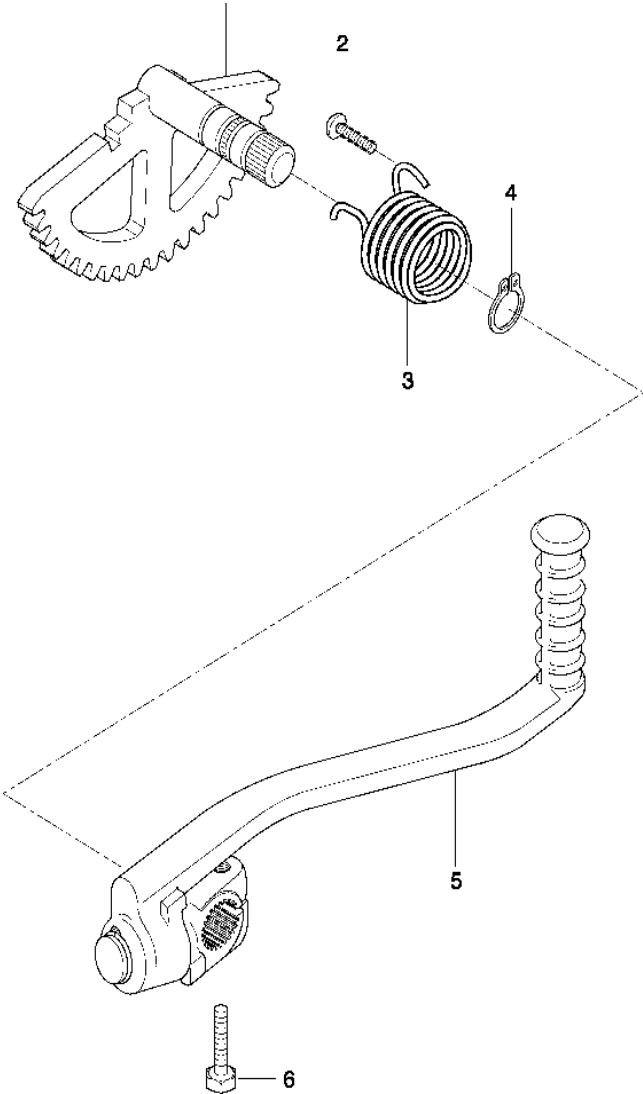


FIG 13. STARTING MOTOR

REF. PARTS NAME Q'TY
NO. PAT01

1	31100H11A02	MOTOR ASS'Y, starting	1
2	31370H11200	PINION GEAR ASS'Y	1
3	02112-06608	SCREW, starting motor mounting (M	2
4	31131-02100	BRUSH SET	1
5	31156-02100	O-RING	1
6	31158-02540	GASKET	1
7	31158-02100	O-RING	1
8	31151-02540	SCREW B(M4X14)	2
9	31151-02100	SCREW A(M4X30)	3
10	31132H51600	HOLDER	1
11	31151-02100	LEAD WIRE	1
12	31152-02540	SCREW	1
13	09404-06403	CLAMP	1
14	31120H51600	COVER, starting motor	1
15	31311H11200	ARMATURE	1

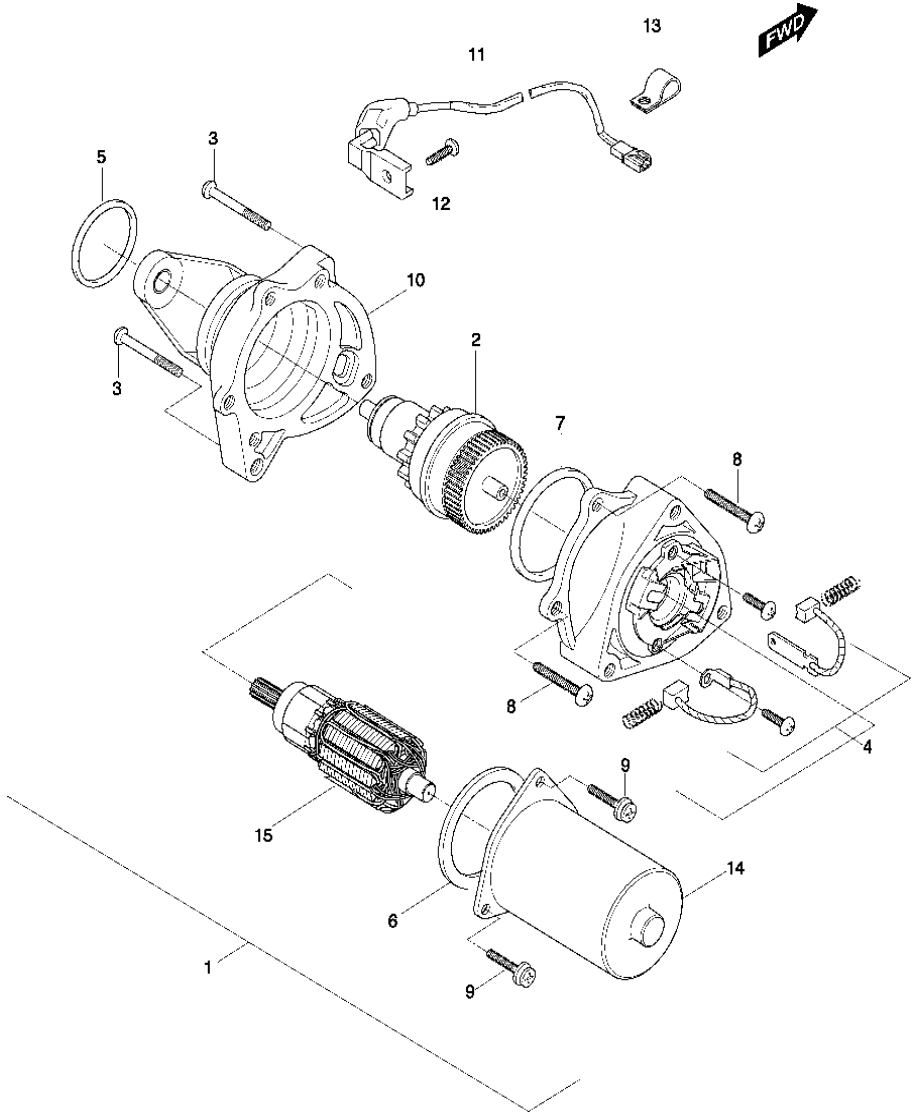


FIG 14. MAGNETO

REF. NO.	PARTS NAME	Q'TY
0	MAGNETO ASS'Y	1
1	NUT, magneto rotor(M10)	1
2	LOCK WASHER, magneto	1
3	WASHER, magneto	1
4	KEY, magneto	1
5	SCREW, magneto stater(M5X12)	3
6	SCREW, pick up coil(M5X10)	2
7	STATOR ASS'Y	1
8	ROTOR ASS'Y	1
9-A	CLAMP,magneto lead wire	1
9-B	SCREW	1
10	SCREW	2

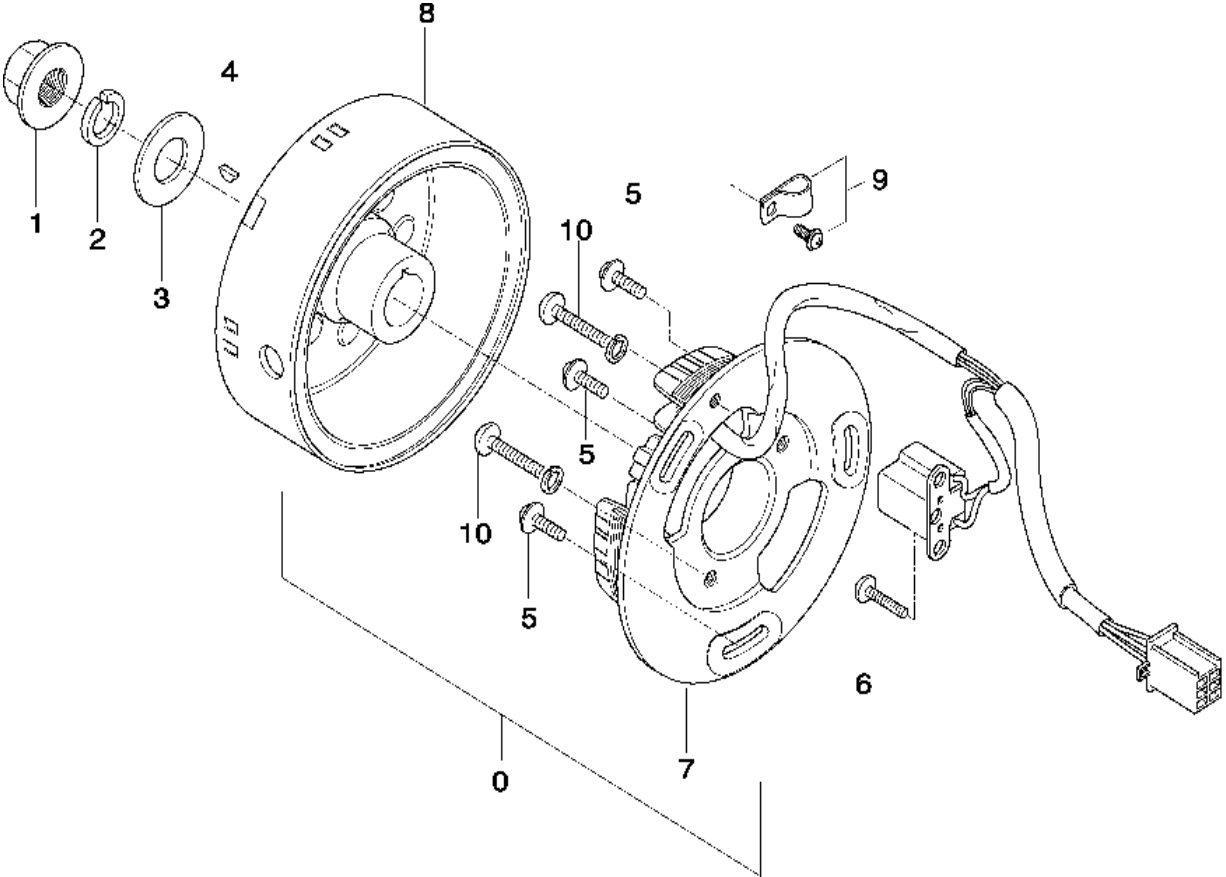


FIG 15. ELECTRICAL

REF.	PARTS NAME	Q'TY
NO. PAT01		
1	33410HK3101 COIL ASS'Y, ignition	1
2	33510H11200 CAP, spark plug	1
3	33543HG2600 BOOT, spark plug cap	1
4	01134-06208 BOLT, ignition coil(M6×20)	2
5	33610-40B12 BATTERY ASS'Y (12V, 4AH)	1
6	38610HL7350 RELAY ASS'Y, turnsignal	1
7	31800H47A00 RELAY ASS'Y, starting motor	1
8	02142-06128 SCREW, starting motor relay(M6×1	1
9	32800-36C20 RECTIFIER ASS'Y	1
10	02142-06165 SCREW, rectifier(M6×16)	1
11	32900HG2650 C.D.I UNIT	1
* POWER UP KIT FOR C.D.I : 32900HN3250		
12	02142-06128 SCREW. C.D.I unit(M6×12)	1

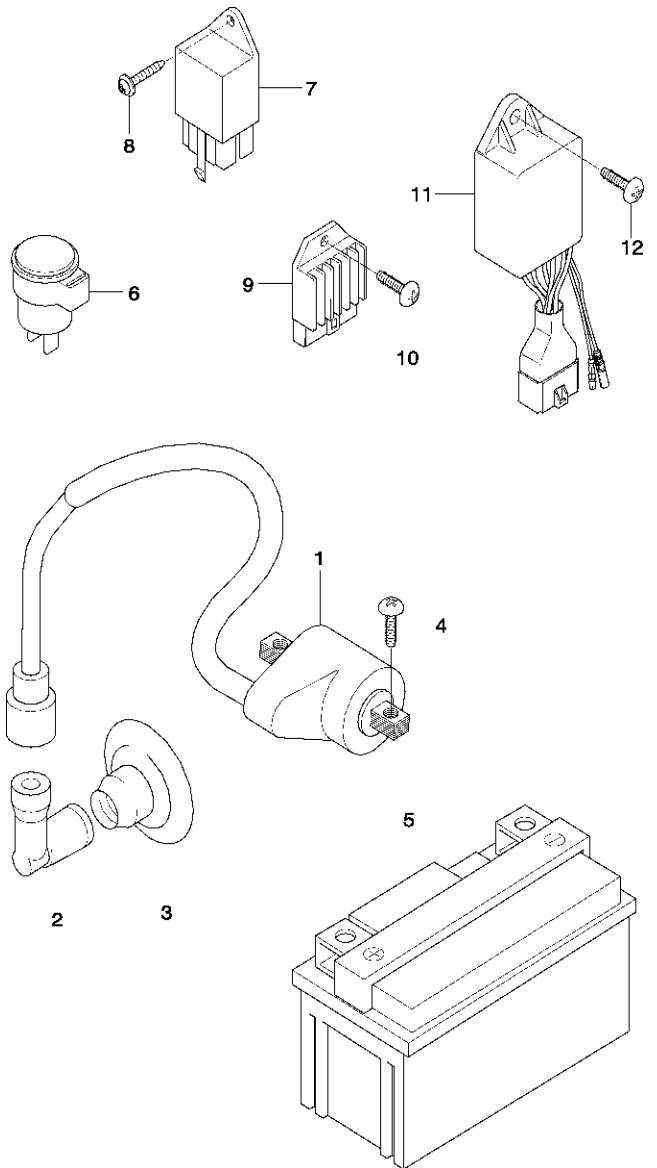


FIG 16. SPEEDOMETER

REF.
NO. PAT01

PARTS NAME Q'TY

1	34110HN3200	SPEEDOMETER	1
2	39000HG5800	INDICATOR LAMP, speedometer	1
3	34950HN3200	BRACKET, speedometer	1
4	34171HN3200	SOCKET ASS'Y, speedometer	1
5	34910HB1101	CABLE ASS'Y, speedometer	1
6	09116-06143	BOLT, speedometer bracket	2

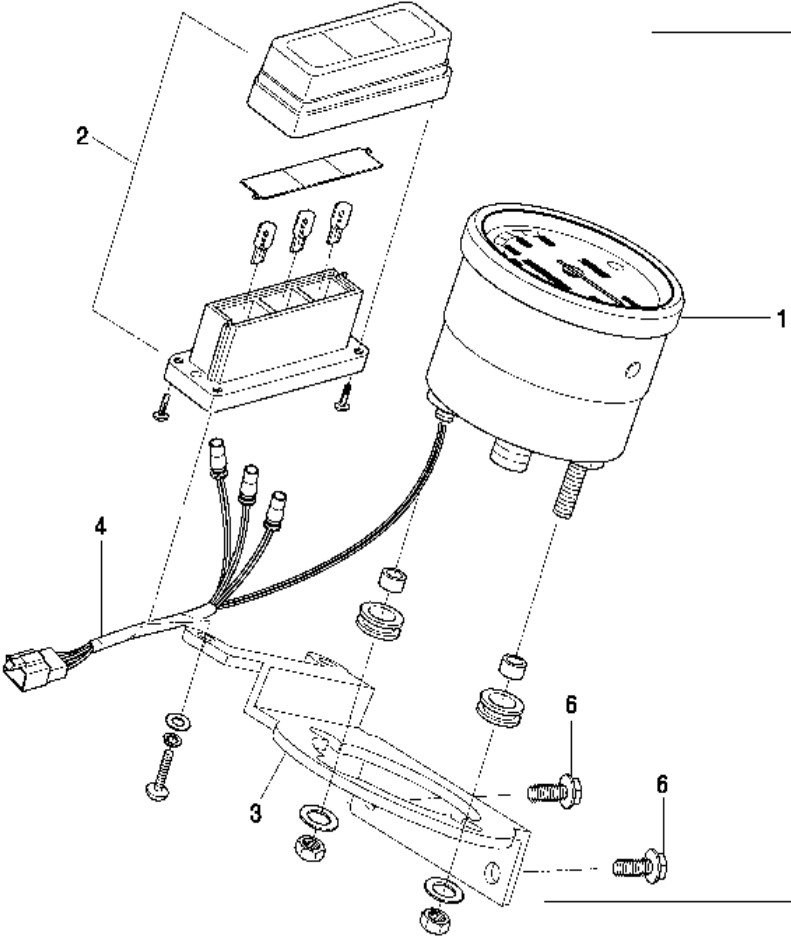
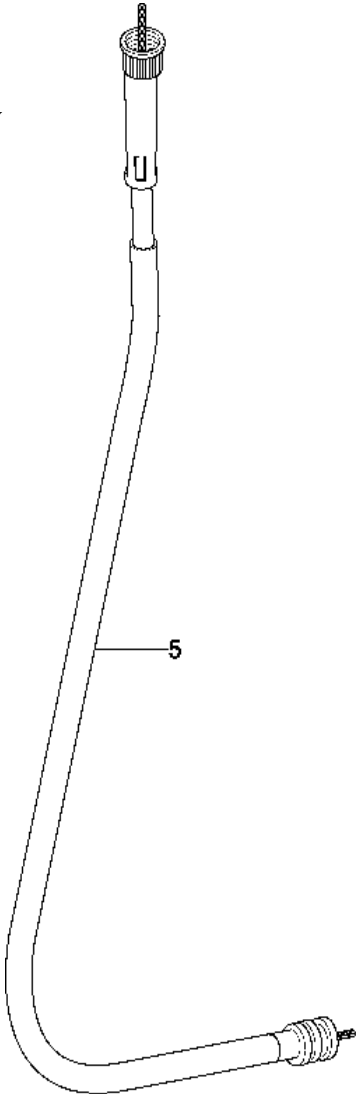


FIG 17. HEAD LAMP

REF. PARTS NAME Q'TY
 NO. PAT01

REF. NO.	PARTS NAME	Q'TY
1	35100HN3202 HEAD LAMP ASSY	1
2	09471-12102 BULB, head lamp(12V 35/35W)	1
2-A	09471-12103 BULB, head lamp(12V 35/35W)	1
3	35130HN3200 WIRING ASS'Y, head lamp	1
4	09111H05001 BOLT, head lamp	2
5	35151H11200 BOLT, head lamp aiming	1
6	35128H11200 PLATE WASHER, head lamp aimin	1
7	08322-21068 WAVE WASHER, head lamp aimin	1

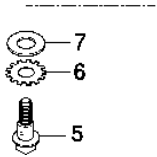
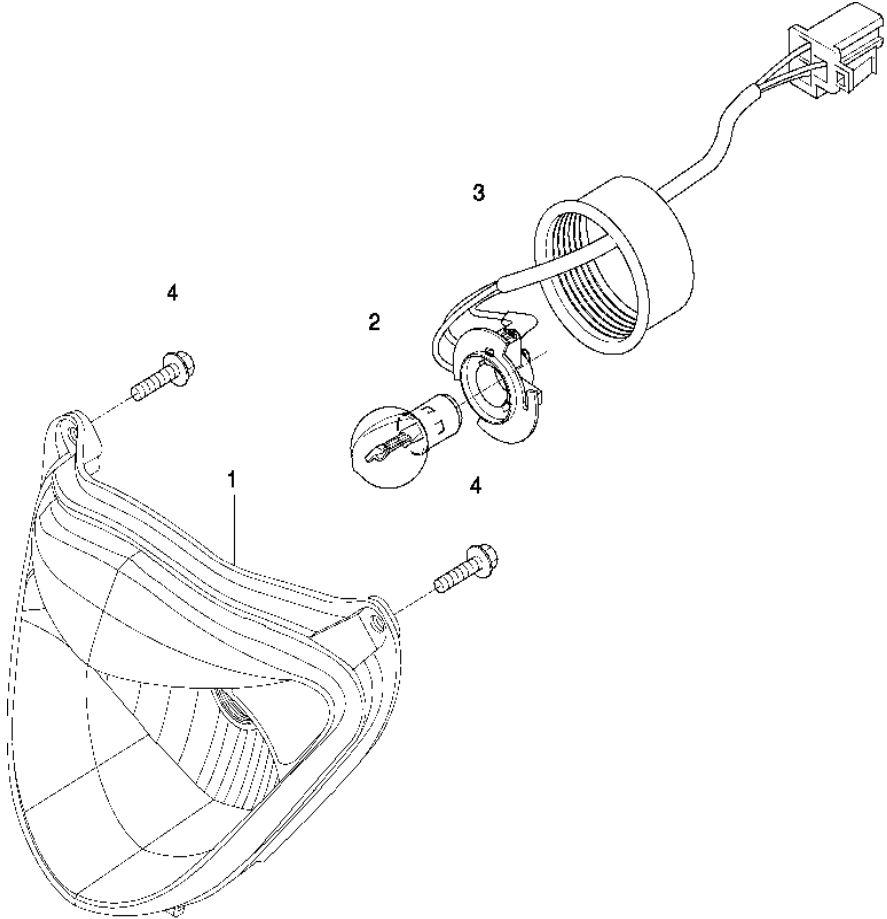


FIG 18. REAR COMBINATION

REF. PARTS NAME Q'TY
 NO. PAT01

1	35710HG2660	LAMP ASS'Y, tail & stop	1
2	02142-06125	BOLT, tail & stop lamp(M6×12)	2
3	03241-05165	SCREW, tail & stop lamp(M5×16)	2
4	09148-05039	NUT, tail & stop lamp(M5)	1
5	09471-12046	BULB, tail & stop (12V 10/5W)	1
6	35603HG2650	LAMP ASS'Y, rear turnsignal R	1
7	09471-12142	BULB, rear turnsignal (12V 10W)	2
8	35604HG2650	LAMP ASS'Y, rear turnsignal L	1
9	35652-35C00	LENS, rear turnsignal R	1
9-1	35672-35C00	LENS, rear turnsignal L	1
10	08310-11068	NUT, rear turnsignal(M6)	2
11	08322-21068	WASHER, rear turnsignal	2
12	03211-04205	SCREW(M4×20)	2
13	35625-01A00	TAPPING SCREW	2
14	35712HG2600	LENS, tail & stop	1
15	35722HG2600	CUSHION, licence lamp	2

FIG

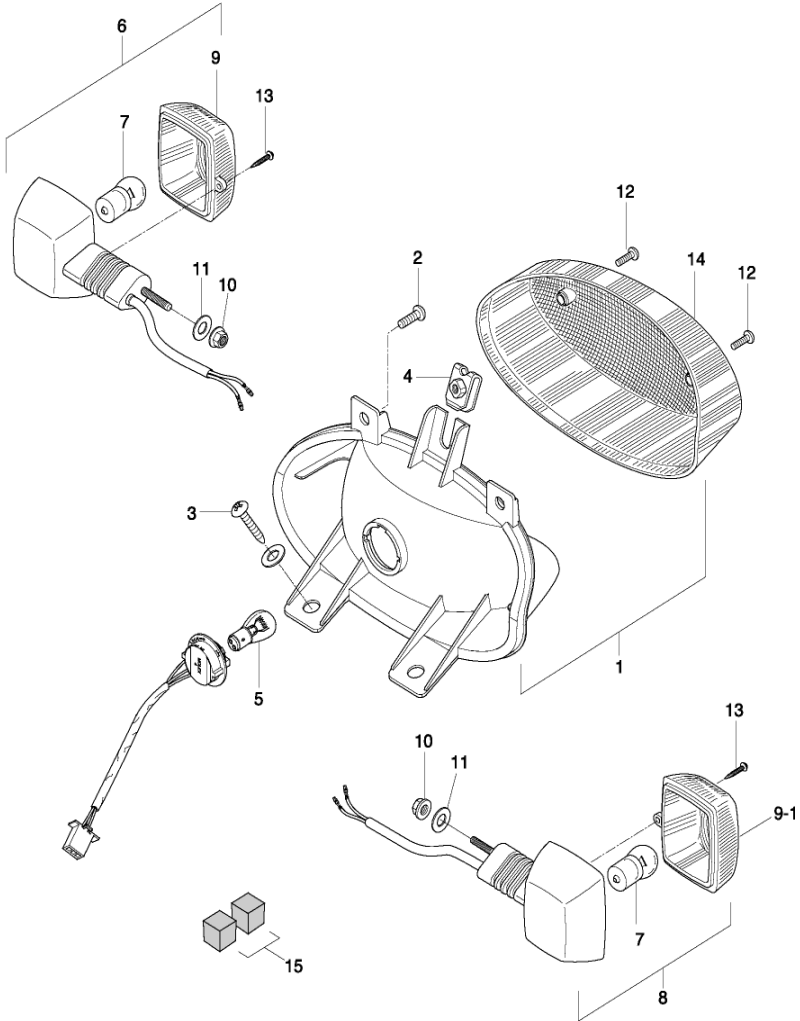


FIG 19. WIRING HARNESS

REF. NO.	PARTS NAME	Q'TY
1	HARNESS, wiring	1
2	HORN ASSY	1
3	BOLT, HORN(M6×12)	1
4	KEY SET	1
4-1	BLANK KEY	
5	LOCK ASSY, steering	1
5-1	CAP, steering lock	1
6-1	SCREW, steering lock(M6×12)	1
6-2	SCREW, steering lock(M6×12)	1
7	CLAMP, wiring harness	3
8	CLAMP, wiring harness	1
9	CLAMP, wiring harness	7
10	CLAMP, wiring harness	2

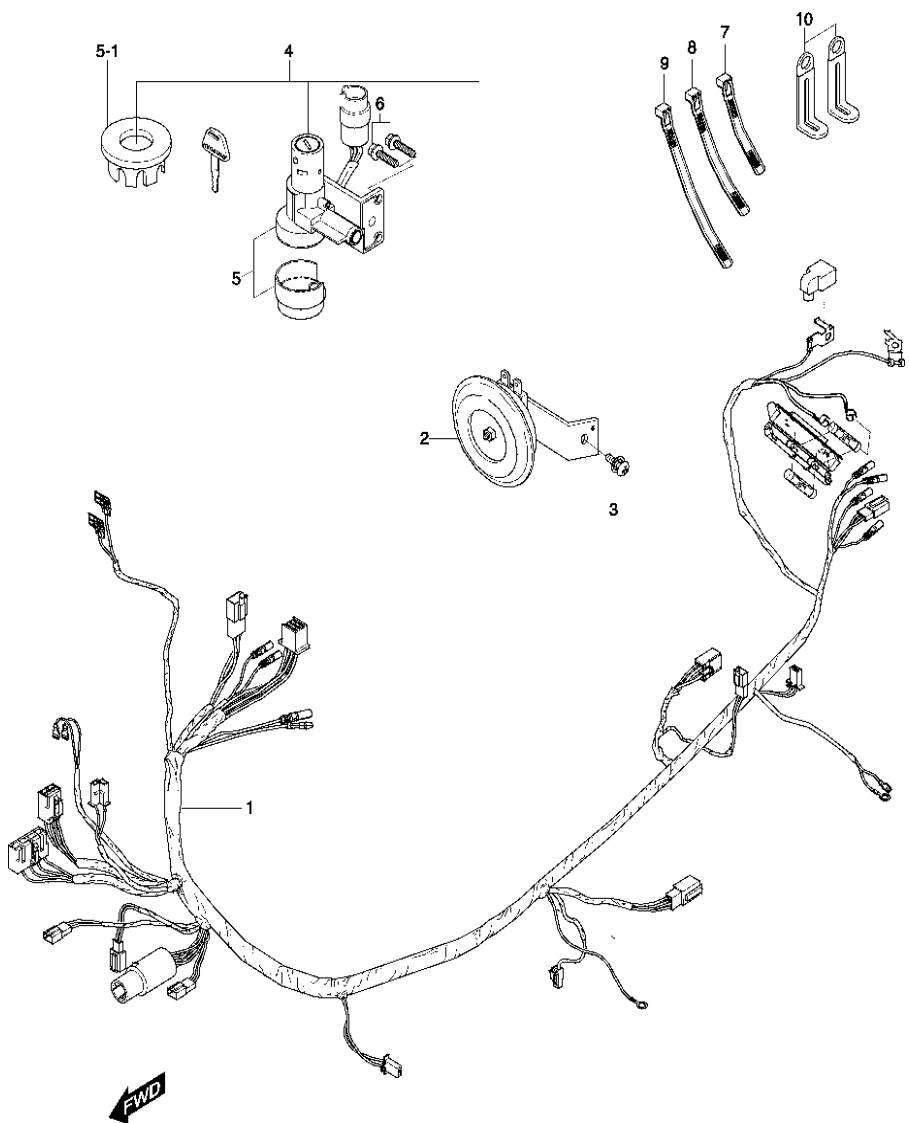


FIG 20. FRAME

REF. PARTS NAME Q'TY
NO. PAT01

REF. NO.	PARTS NAME	Q'TY
1	41100HN3250PAM FRAME COMP	1
2	41551HK2701 PLATE, leg shield rear front	1
3	61110HG2603 LINK COMP, engine mounting	1
4	41512HG2600 BRACKET, leg front upper	1
5	61121H11201 CUSHION, engine mounting link	1
6	09319H12025 BUSH, engine mounting link	2
7	09103-12045 BOLT, engine mounting link(M12×4	1
8	08319-31126 NUT, engine mounting link(M12)	1
9	03241-05165 SCREW, frame & side cover lower F	3
10	01517-06125 BOLT, leg shield rear front plate(M6	2
11	08316-26066 NUT, leg front upper bracket(M6)	2
12	03241-05108 SCREW, frame & side cover lower r	1
13	02142-05125 SCREW, side cover lower & frame	1
14	92113HG260126B HOOK, leg shield cover	1
15	01517-06125 BOLT, leg shield cover hook(M6×12	1
16	03241-05165 SCREW, frame & leg shield cover(N	2
17	61110HG2603HPA LINK COMP, engine mounting	1

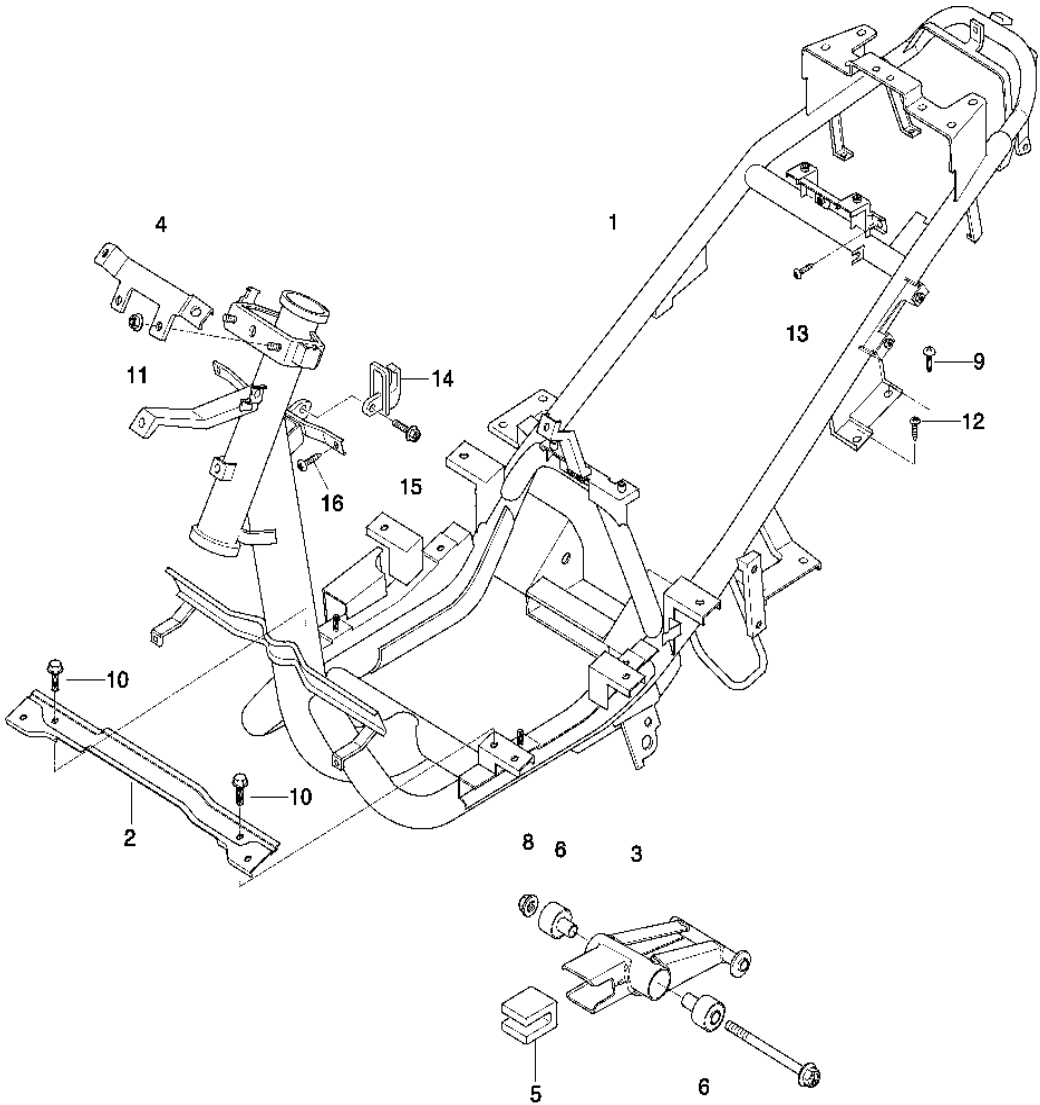


FIG 21. STAND

REF. NO.	PAT01	PARTS NAME	Q'TY
1	42110HG2609	STAND COMP, center	1
2	42310HG2651	STAND COMP, prop	1
3	42211HG2600	SHAFT, center stand pivot	1
4	09321-10002	CUSHION, center stand spring	1
5	09443H17005	SPRING, center stand	1
6	09443-14036	SPRING, prop stand	1
7	09100-10031	BOLT, prop stand(M10×30)	1
8	08313-11107	NUT, prop stand(M10)	1
9	09100-06078	BOLT, center stand spring(M6×33)	1
10	09140-06007	NUT, center stand spring(M6)	1
11	08322-11106	WASHER, center stand	1
12	09204-02003	COTTER PIN, center stand	1
13	09443H10001	SPRING, center stand inner	1
14	09443-06001	SPRING, prop stand inner	1

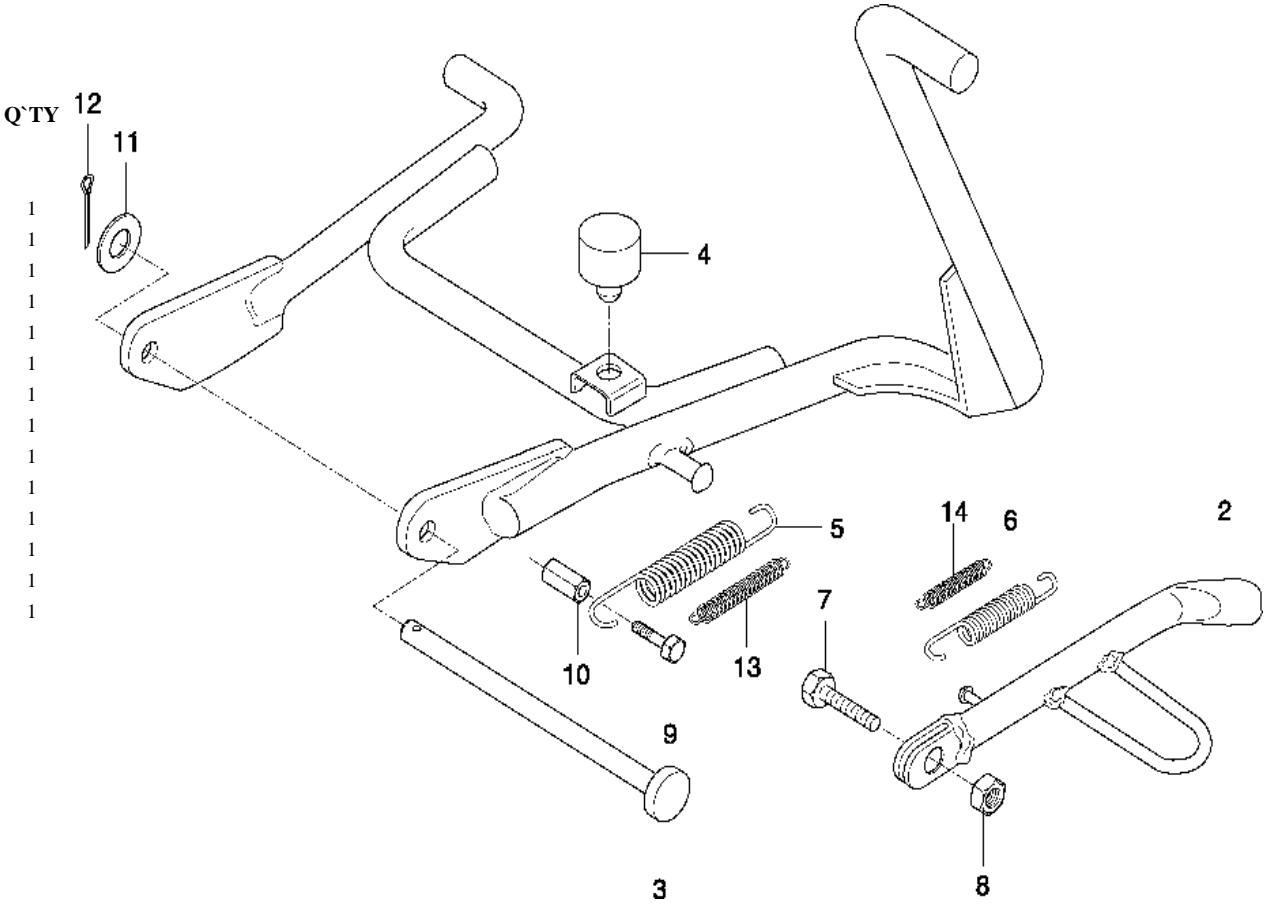


FIG 22. FUEL TANK

REF. NO.	PAT01	PARTS NAME	Q'TY
1	44100HN3202PAH	TANK SET, fuel	1
2	44110HK2702PAM	TANK COMP, fuel	1
2~1	44110HK2704PAM	TANK COMP, fuel	1
3	15100HG2600	PUMP ASS'Y, fuel	1
4	34810HN3202	GAUGE ASS'Y, fuel sender	1
5	34825HE7100	PACKING	1
6	44200HK2701	CAP SET, fuel tank filler	1
7	44210HK2700	CAP COMP, fuel tank filler	1
8	44248-35000	GASKET, fuel tank filler cap	1
9	33652-29100	CUSHION, fuel tank (90X20X3t)	3
10	08316-26066	NUT, fuel tank front(M6)	2
11	01517-06125	BOLT, fuel tank rear(M6X12)	2
12	44199HK2701	HOSE, fuel strainer inlet	1
13	44197HK2701	HOSE, fuel strainer outlet	1
14	44910HG2600	STARINER COMP, fuel	1
15	09401-10401	CLIP, fuel inlet hose No1	1
16	09401-08401	CLIP, fuel inlet hose No2	1
17	09401-08401	CLIP, fuel outlet hose No1	1
18	09401-10401	CLIP, fuel outlet hose No2	1
19	02112-35168	SCREW, fuel pump(M5x16)	2
20	15821HK2700	HOSE, fuel No1	1
21	15831HK2700	HOSE, fuel No2	1
22	09401-09101	CLIP, fuel hose	2
23	09401-10401	CLIP, fuel hose	2
24	34811HN3201	PLATE, fuel gauge	1
25	44613HE7100	CUSHION, fuel tank No2	1

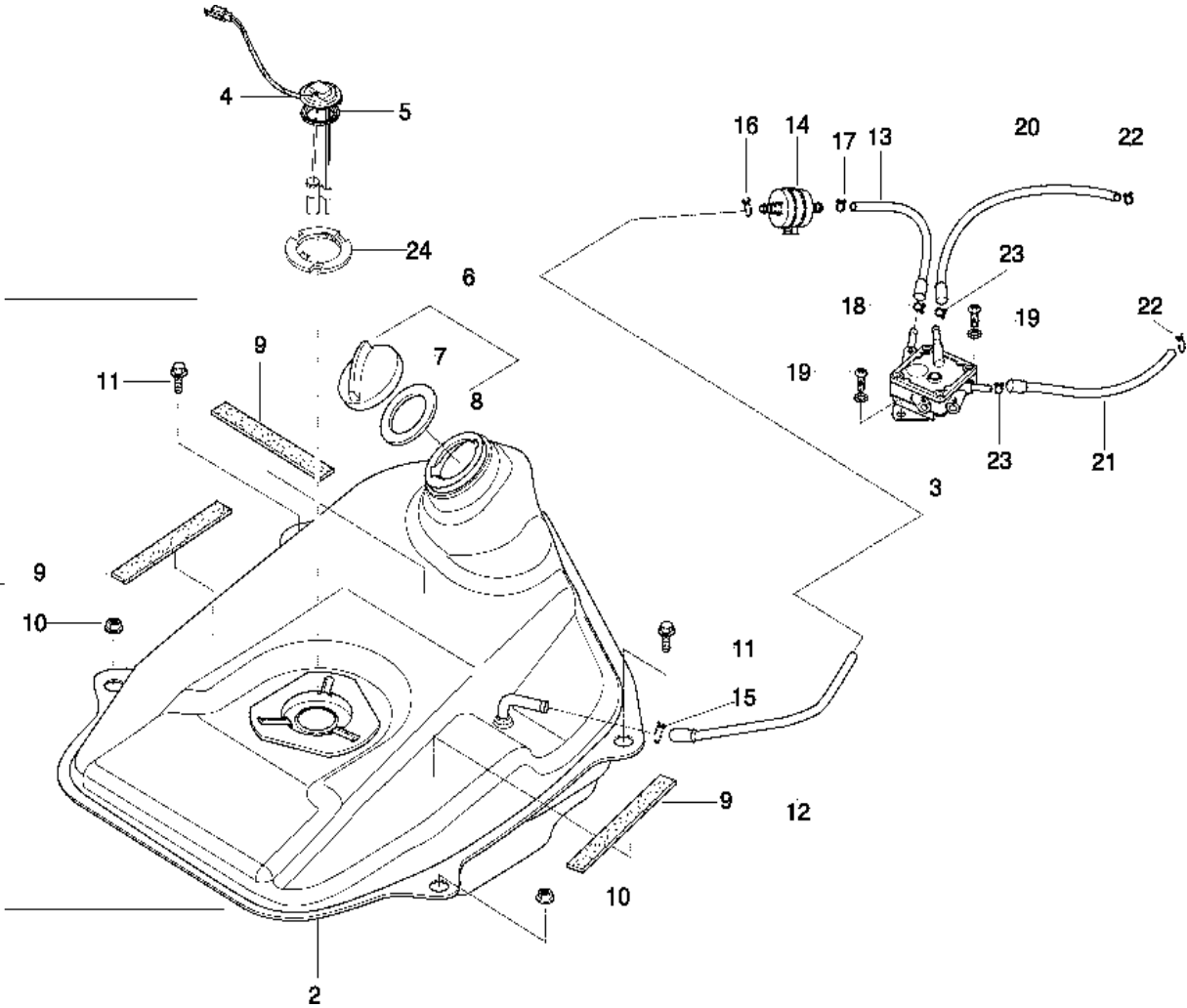


FIG 23. OIL TANK

REF. NO.	PARTS NAME	Q'TY
1	44610HG2650 TANK SET, oil	1
1-1	44611HG2603 TANK, oil	1
2	37880HG2600 SWITCH ASS'Y, oil level	1
3	44668HG2600 GASKET, oil tank cap lower	1
4	44651HG2600 CAP, oil tank filler	1
5	44616HG2600 CUSHION, oil tank & helmet box(5	2
6	41589HG5900 CUSHION, oil tank & battery(100X	1
7	44643-31000 GASKET, oil level switch	1

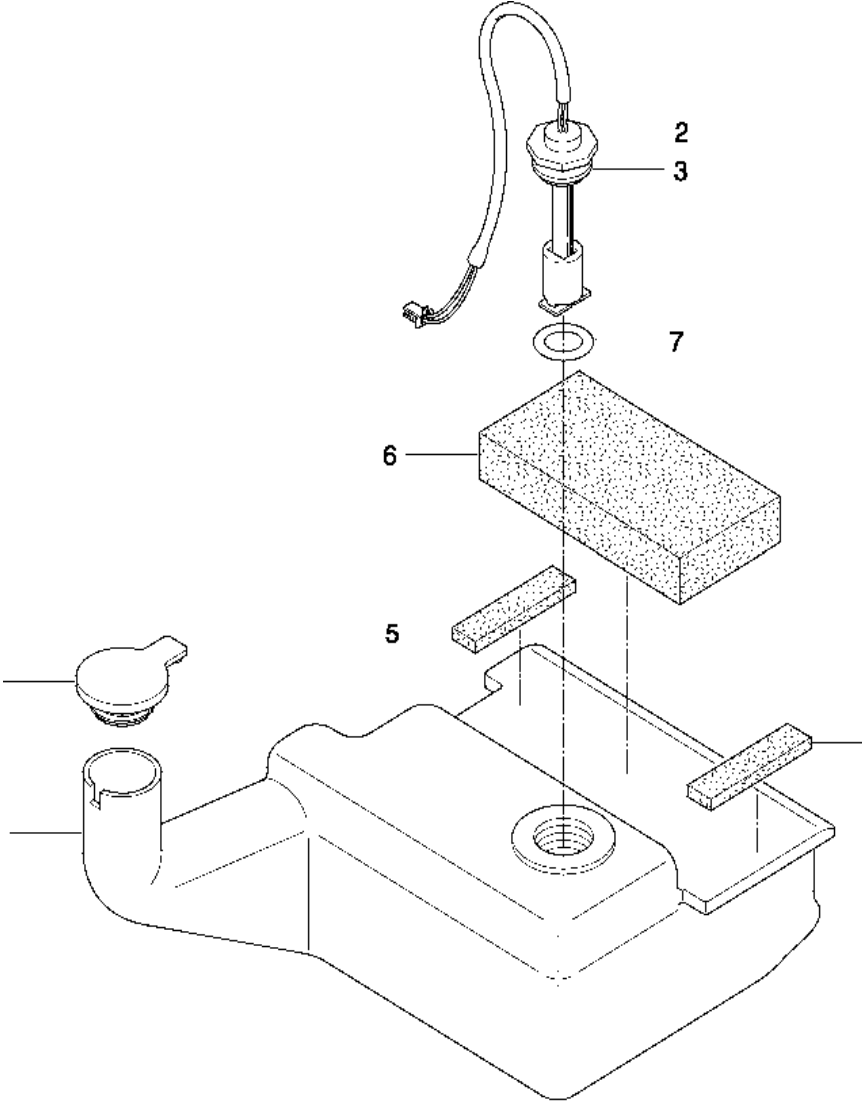


FIG 24. SEAT

REF. NO. PAT01	PARTS NAME	Q'TY
1	45100HG2603 SEAT SET, front	1
2	45200HG2603 SEAT SET, pillion	1
3	46411HM360603P CARRIER, rear	1
4	92311HG260226B BOX, helmet rear	1
5	45220HG2601 LOCK, seat striker	1
6	45293HG2600 BRACKET, pillion seat	1
7	45285HE7100 BRACKET, seat support front	1
8	45551HG2601 PLATE, seat striker lock No.3	1
9	44218HF4500 CUSHION, helmet box(50X35X6t)	4
10	09443H06006 SPRING, seat striker lock No.3 & fr	1
11	09111-06019 BOLT, seat striker & frame(M6X14.	1
12	08316-26066 NUT, seat striker lock(M6)	2
13	08316-26066 NUT, seat support front(M6)	2
14	45215HE7100 BOLT(M6X65)	1
15	01517-06168 BOLT(M6X16)	2
16	01517-08258 BOLT, rear carrier(M8X35)	2
17	09180H08129 SPACER, rear carrier	1
18	02142-06165 SCREW, helmet box & frame(M6X1	4
19	09169-06034 WASHER, helmet box & frame	4
20	92331HG260026B COVER, battery	1
21	02142-06125 SCREW, battery cov & helmet box(t	2
22	09169-05009 WASHER, battery cov & helmet box	2
23	45280HG2602 CABLE ASS'Y, seat lock	1
24	08322-21088 WASHER, rear carrier rear	3
25	09103H08254 BOLT, rear carrier rear(L=40)	1
26	09180H081F5 SPACER, rear carrier	2

FIG

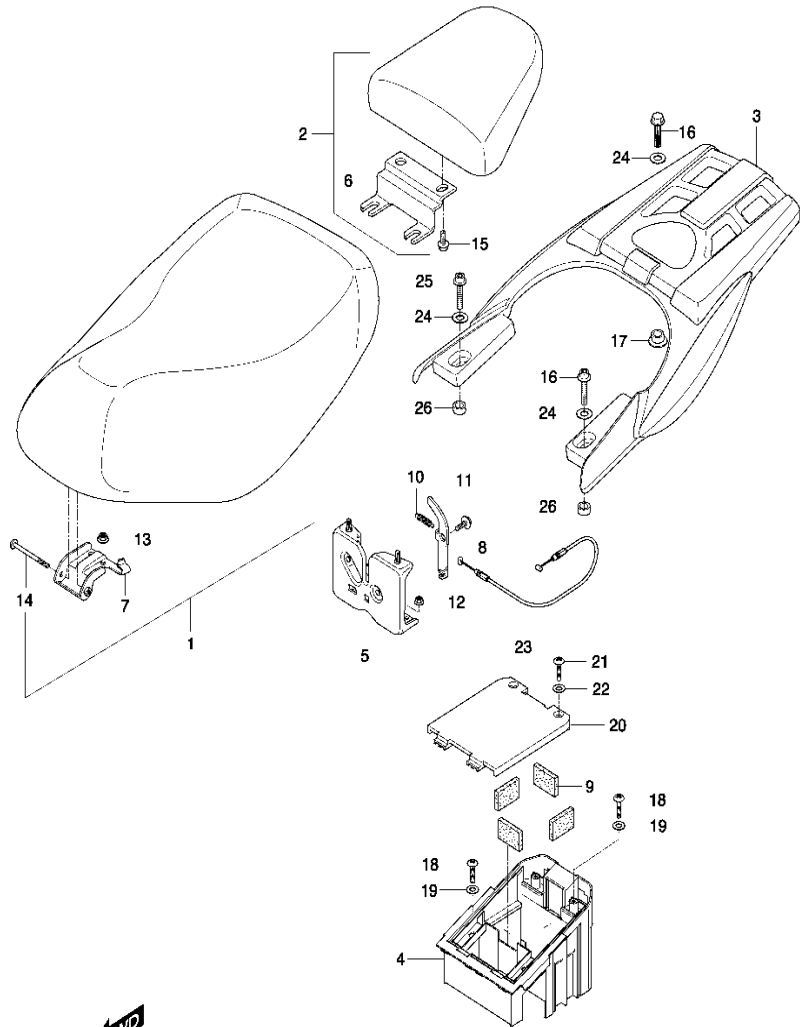


FIG 25. SIDE COVER

REF. PARTS NAME Q'TY
NO. PAT01

REF. NO.	PARTS NAME	Q'TY
1	91311HG2604 BOX, helmet front	1
2	47211HG2603 SIDE COVER, L(CLG.CTR)	1
3	47111HG2603 SIDE COVER, R(CLG.CTR)	1
4	47311HG260026B COVER, side center	1
5	92321HG260226B COVER, helmet box inner	1
6	44668HG2600 GASKET, oil tank cap lower	1
7	09148-05020 NUT, side cover R/L(M5)	4
8	09343-05052 HOSE, helmet box drain(8.2-5 L580)	1
9	09401-08401 CLIP, helmet box drain hose	1
10	02152-05225 SCREW, side cover & rear combi(M	1
11	09169-05009 WASHER, side cover & rear combi	1
12	02142-06203 SCREW, side cover & leg shield rea	1
13	09169-06070 WASHER, side cover & leg shield re	1
14	02142-06255 SCREW, side cover rear ctr front(M	1
15	09169H06077 WASHER, side cover rear ctr front	1
16	01517-06205 BOLT, helmet box & side cover fr ct	1
17	01517-06168 BOLT, helmet box(M6X16)	2
18	09169-06034 WASHER, helmet box & side cover	1
19	09160-06006 WASHER, helmet box front	2
20	09148-06020 NUT, helmet box & side cover fr ctr	1
21	45700HG2630 LOCK ASS'Y, seat	1
22	45381HG2601 GUIDE, seat lock cable	1
23	92413HF4501 WASHER, side cover L	1
24	92414HF4500 LOCK, key set	1
25	01517-06168 BOLT, helmat box(M6X16)	2
26	68120HN3250A2A TAPE, side cover 0LG	2
	68120HN3250A2B TAPE, side cover 0TR,0MO	2
	68120HN3250A2C TAPE, side cover 0DB	2
	TAPE, side cover 0TR	2
	TAPE, side cover 0MO,0DB	2
27	09160-06006 WASHER, helmet box front	1

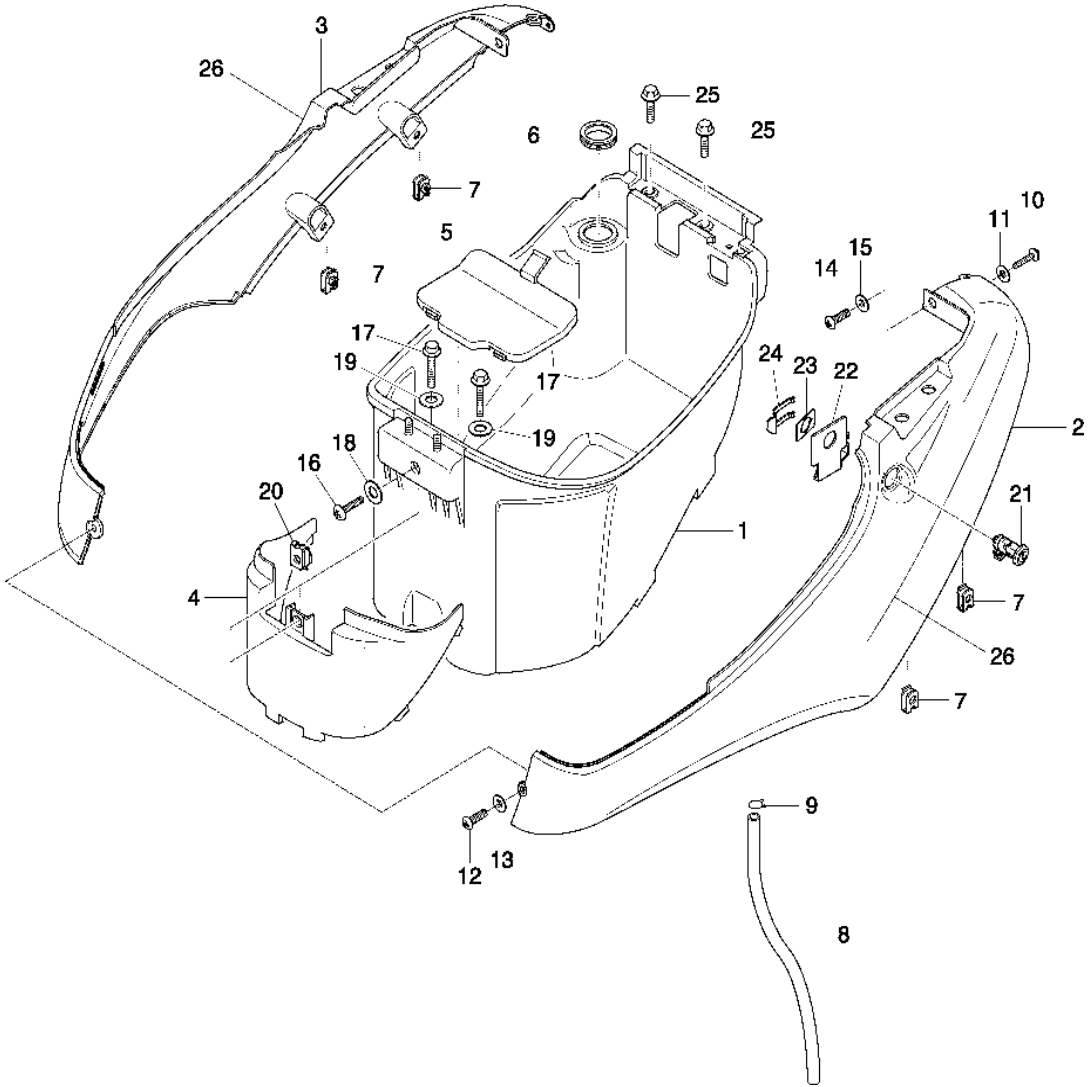


FIG 26. FRONT LEG SHIELD

FIG

REF. PARTS NAME Q'TY
NO. PAT01

REF. NO.	PARTS NAME	Q'TY
1	48111HM3604 SHIELD, leg front,(CLG,CTR)	1
2	92111HK270226B COVER, leg shield	1
3	48137HG260203P SHIELD, leg lower front	1
4	48211HG260326B SHIELD, leg front upper	1
5	35601HG2651 LAMP ASS'Y, front turnsignal R	1
6	09471-12045 BULB, front turnsignal (12V 10W)	2
7	03241-05165 SCREW, front turnsignal lamp(M5X	6
8	35602HG2651 LAMP ASS'Y, front turnsignal L	1
9	48150HN3200 GRILL COMP, leg shield front	1
10	09111H06E06 BOLT, leg shield cover & frame(M6	2
11	03241-05165 SCREW, leg shield cover & lower fr	4
12	03241-05165 SCREW, leg shield cover & front(M	4
13	03241-05165 SCREW, leg shield front upper & fr	5
14	09148-05020 NUT, leg shield lower fr & leg cover	2
15	09148-06020 NUT, head lamp & leg shield front(N	2
16	03241-05255 SCREW, leg shield front & low front	4
17	08322-21055 WASHER, leg shield front & low fr	4
18	03241-05165 SCREW, leg shield low front & cov	2
19	09148-05020 NUT, leg shield front & lower fr(M5	4
20	09148-06020 NUT, leg shield low rear & front(M6	2
21	02142-06165 SCREW, leg shield low front & fram	2
22	09169-06034 WASHER, leg shield low front & fra	2
23	02142-05165 SCREW, leg shield front brkt	4
24	08322-21056 WASHER, leg shield front brkt	4
25	08316-26055 NUT, leg shield front & brkt	4
26	68120HN3250A2A TAPE, leg shield front 0LG	1
	68120HN3250A2B TAPE, leg shield front 0TR,0MO	1
	68120HN3250A2C TAPE, leg shield front 0DB	1
	TAPE, leg shield front 0TR	1
	TAPE, leg shield front 0MO,0DB	1
27	68210HK27100MN EMBLEM, leg shield front	1

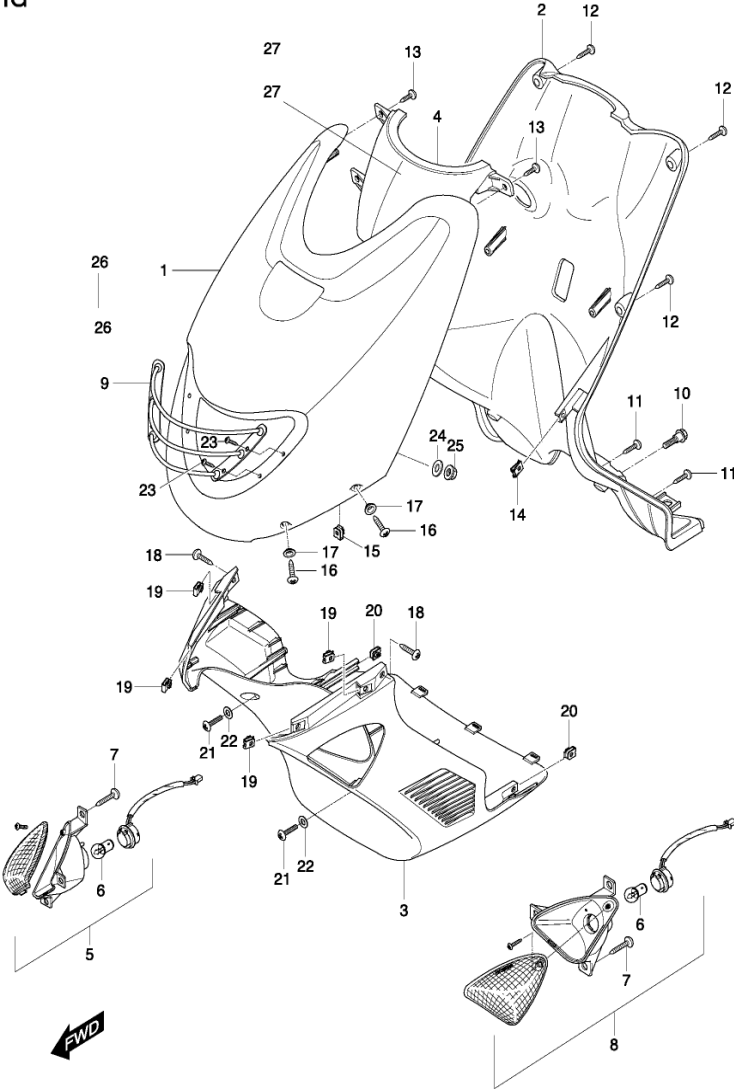


FIG 27. REAR LEG SHIELD

REF. PARTS NAME Q'TY
NO. PAT01

REF. NO.	PARTS NAME	Q'TY
1	48121HK270226B SHILED, leg rear	1
2	48147HN320103P SHILED, leg lower rear	1
3	47151HK270026B COVER, side front R	1
4	47251HK270026B COVER, side front L	1
5	47131HK270026B SIDE FRONT, center	1
6	43611HG2600 FOOTREST, pillion R	1
7	43621HG2600 FOOTREST, pillion L	1
8	47155HG2601 PLATE, side cov front & leg rear	2
9	09148-05020 NUT, leg shield rr& leg rr(M5)	2
10	03241-05125 SCREW, side cov fr plate & leg rr(M	2
11	02142-06125 SCREW, side cover front & plate(M:	2
12	07110-06256 BOLT, pillion footrest(M6X25)	4
13	08322-21068 WASHER, pillion footrest	4
14	03241-05125 SCREW, side cov fr plate & leg reart	2
15	47141HK270126B COVER, fuel tank	2
16	09111H06E06 BOLT, leg shield rear & frame(M6X	4
17	03241-05165 SCREW, leg shield low rr & leg rr(M	4
18	02142-06255 SCREW, leg shield lower rear & fro	2
19	09169-06034 WASHER, side cover front & plate	2
20	44200HF4500 LOCK ASS'Y, fuel tank	1
21	92413HF4501 WASHER, fuel tank cover	1
22	92414HF4500 LOCK, fuel tank key	1
23	68224HN3200120 EMBLEM, leg shield lower rear R	1
24	68226HN3200120 EMBLEM, leg shield lower rear L	1

FIG

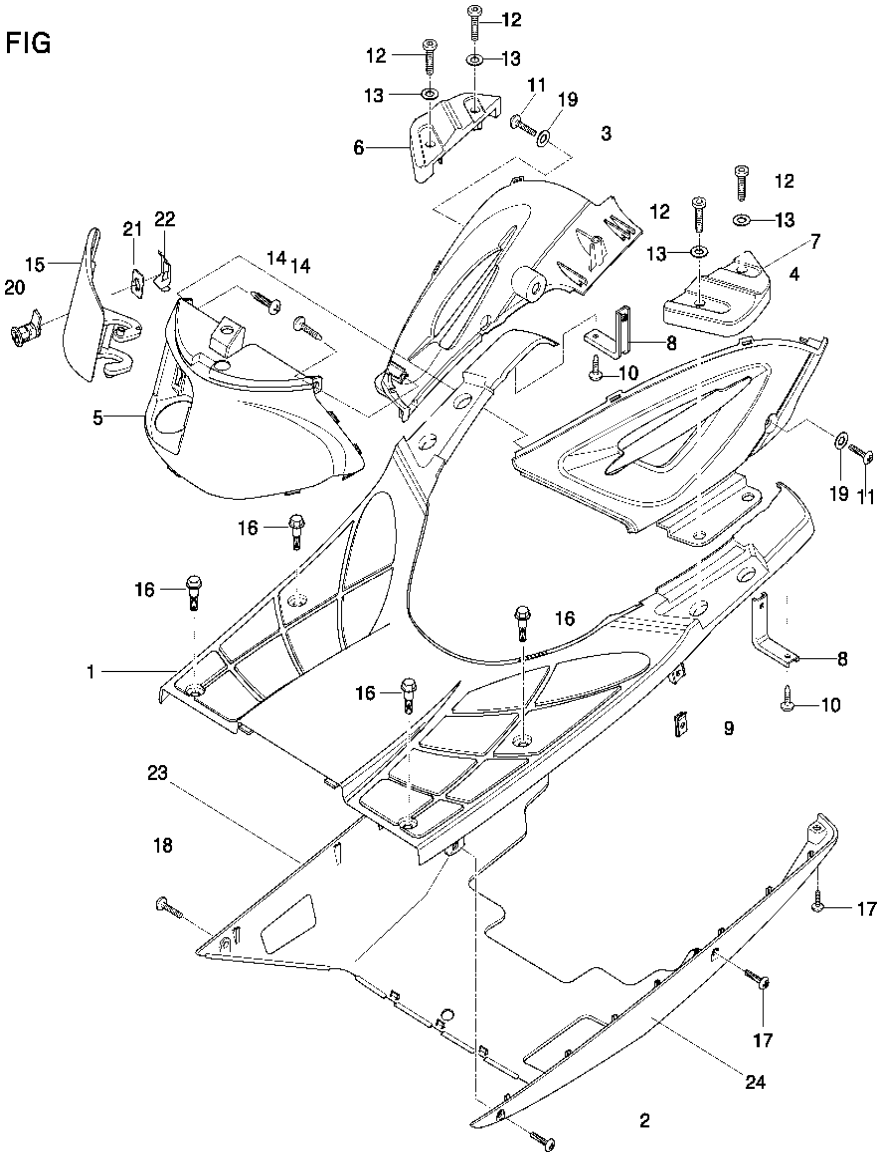


FIG 28. FRONT FORK

REF. NO.	PAT01	PARTS NAME	Q'TY
0	51100HN3200HPA	FORK ASS'Y, front	1
1	51210HN3200	DAMPER ASS'Y, front fork R	1
1-1	51130HN3200	BOTTOM CASE COMP, R	1
2	51220HN3200	DAMPER ASS'Y, front fork L	1
2-1	51140HN3200	BOTTOM CASE COMP, L	1
3	51111HG2600	FORK, pipe	2
4	51400HG2601	TEM, front fork steering	1
5	51351H11A00	FORK BOLT	2
6	51181H11A00	O-RING, fork bolt	2
7	51171HK2700	SPRING	2
8	51196H11A00	PISTON RING	2
9	51177H11A00	REBOUND SPRING	2
10	51146H11A00	PIPE SEAT	2
11	36618-02100	COVER, steering stem lock	1
12	51632-02400	NUT, steering stem lock(M25)	1
13	09166-26001	WASHER, steering stem lock	1
14	51631-28000	NUT, steering stem	1
15	51643-25001	DUST SEAL, steering upper	1
16	51621-28000	RACE, steering outer upper	1
17	06111-06004	BALL, steering stem(M25)	47
18	51611-20002	RACE, steering inner upper	1
19	51612-04000	RACE, steering inner lower	1
20	01174-06168	BOLT, brake hose clamp(M6X16)	1
21	59268HG2600	CLAMP, brake hose	1
22	01174-06168	BOLT, speedometer cable guide	1
23	51418H11A00	GUIDE, speedometer cable	1
24	51148H11A00	PACKING	2

FIG

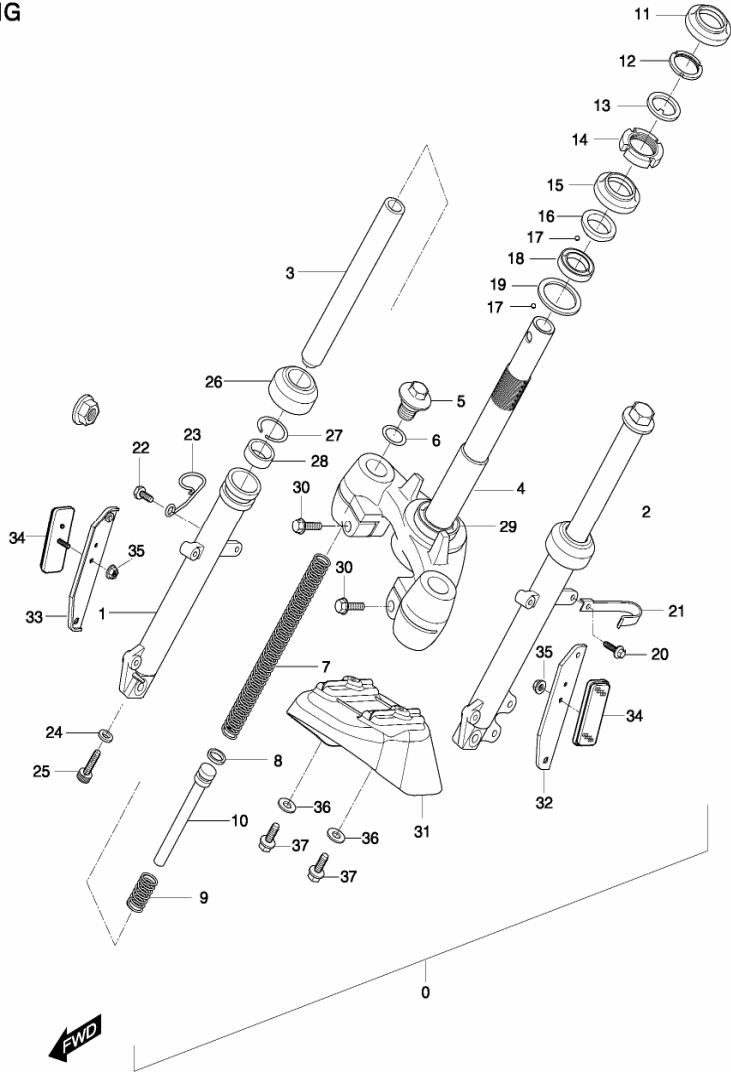


FIG 28. FRONT FORK

REF. NO.	PAT01	PARTS NAME	Q'TY
25	51147H11A00	SOCKET, bolt	2
26	51173H11A00	DUST BOOT	2
27	51156H11A00	STOPPER RING, oil seal	2
28	51153H11A00	OIL SEAL, front fork	2
29	51622-04000	RACE, steering outer lower	1
30	07110-08258	BOLT, under bracket	2
31	53112HN320112B	FENDER, FRONT inner	1
31-1	53117HP5301	MUD GUARD,ft fender inner	1
31-2	02142-05165	SCREW	5
31-3	09160-05016	WASHER	5
32	53114HN3202	DECORATION, reflex reflector L	1
33	53113HN3202	DECORATION, reflex reflector R	1
34	35950HG2601	REFLEX REFLECTOR ASS'Y, side	2
35	08316-26055	NUT, rear reflex reflector(M5)	2
36	09160-06057	WASHER, front fender inner	2
37	01517-06166	BOLT, front fender inner	2

FIG

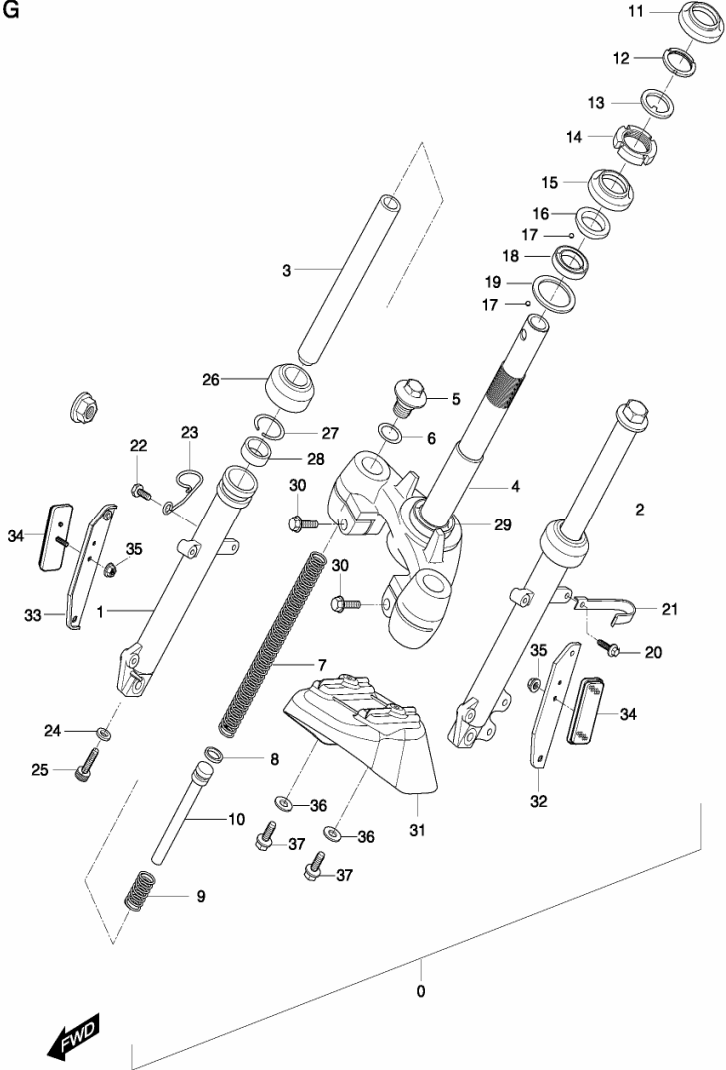


FIG 29. FRONT FENDER

REF. NO. PAT01	PARTS NAME	Q'TY
1	53111HN3200 FRONT, fender(OLG,OTR)	1
2	53115HN3200 BRACKET, front fender upper	1
3	48115HM3600 PLATE, headlamp aiming	1
4	01517-06166 SCREW, headlamp aiming plate	2
5	03241-05126 SCREW, front fender up & brkt	2

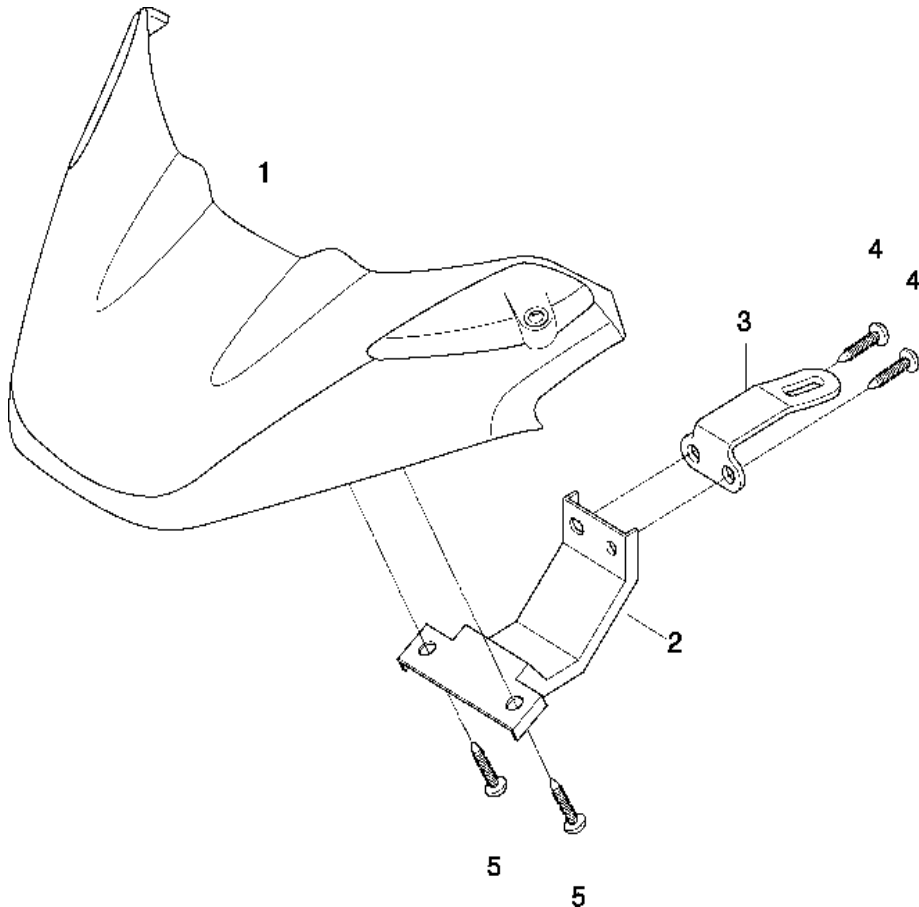


FIG 30. FRONT WHEEL

REF. NO.	PARTS NAME	Q'TY
0	54140SN3200HPA WHEEL+TIRE SET, front	1
0-1	54140HN3200HPA WHEEL COMP, front	1
1	54140HN3200120 WHEEL COMP, front 2.75x10	1
2	08123-62007 BEARING, front wheel(6200)	2
3	54730HG2600 SPACER COMP, front wheel	1
4	54711HE7100 AXLE, front	1
5	09285-16002 DUST SEAL, front hub bearing L	1
6	54741-29C00 SPACER, front axle L	1
7	08319-31108 NUT, front axle(M10)	1
8	54600HG2600 BOX ASS'Y, speedometer gear	1
9	59211-29C10 DISC, front brake	1
10	59421-03A01 BOLT, front brake disc(M8x20)	3
11	55109HN3200 TIRE SET, front 120/90-10 47J	1
12	55220-29C20 VALVE ASS'Y, wheel rim	1

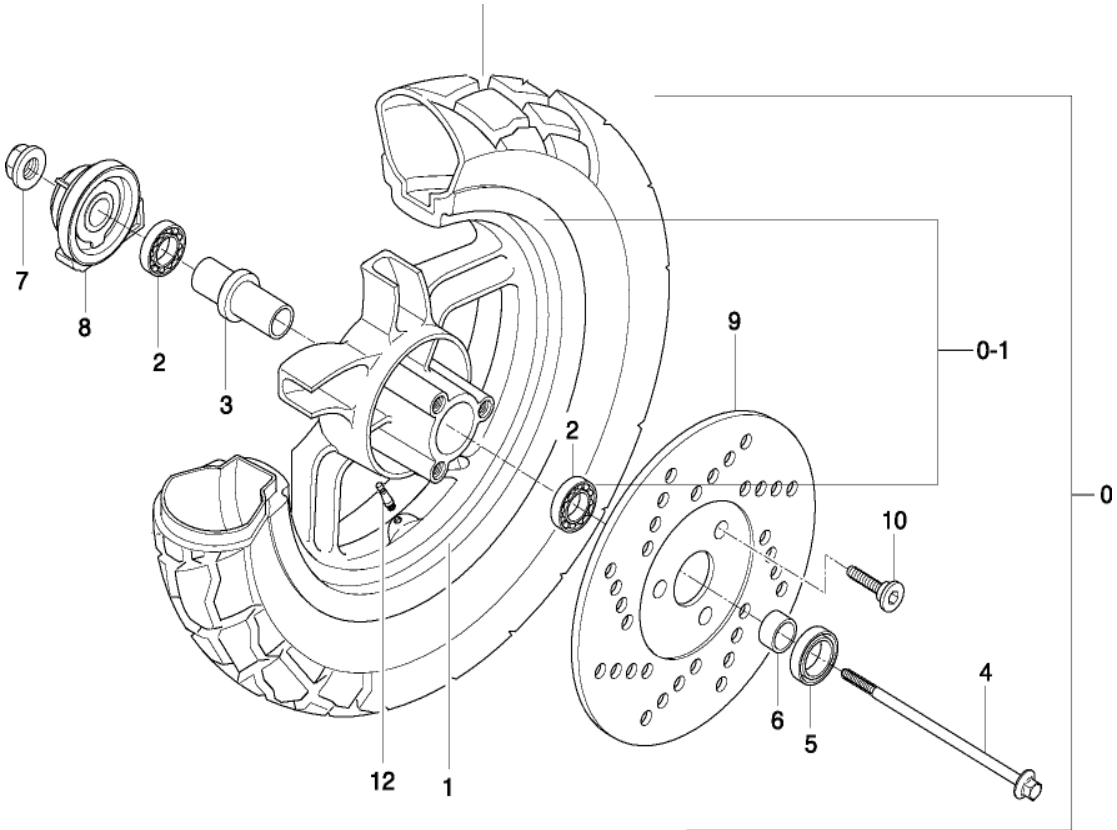


FIG 31. HANDLE BAR

REF. NO.	PARTS NAME	Q'TY
1	56110HN3202PAM HANDLE BAR, COMP	1
2	56500HN3200 MIRROR ASS'Y, rear view R	1
3	56600HN3200 MIRROR ASS'Y, rear view L	1
4	58300HN3201 CABLE ASS'Y, throttle	1
5	58510HN3200 CABLE COMP, rear brake	1
6	09403-09301 GUIDE, rear brake cable	1
7	01134-06128 BOLT, cable guide	1
8	58591H11A00 PLATE, rear brake cable	1
9	01134-06208 BOLT, rear brake cable plate(M8×2C	1
10	09103-10055 BOLT, handle bar clamp(M10×40)	1
11	56211-272A0 HOLDER, handle bar	4
12	56123-29C00 BOLT, handle bar(M8×35)	1
13	01234-08556 BOLT, handle bar holder	4
14	09440H06013 SPRING	1
15	09209H11005 LEVER PIN	1
16	09150-01501 ADJUST NUT, rear brake	1
17	56501HN3200 MIRROR SET, rear view	1
18	08319-31108 NUT, handlebar clamp	1
19	94612HN3201 BRACKET, windscreen	1
20	51310HN3203PAM BEACKET COMP, upper	1
21	58302HN3200 PLATE, throttle cable	1
22	36361-43200 LENS,REVERSE LAMP	1
23	36364-43200 RUBBER,REVERSE LAMP	1
24	39655HN3200 SOCKET,PILOT LAMP	1
25	09471-12072 BULB,PILOT LAMP	1
26	39657HN3200 LABEL,PILOT LAMP	1

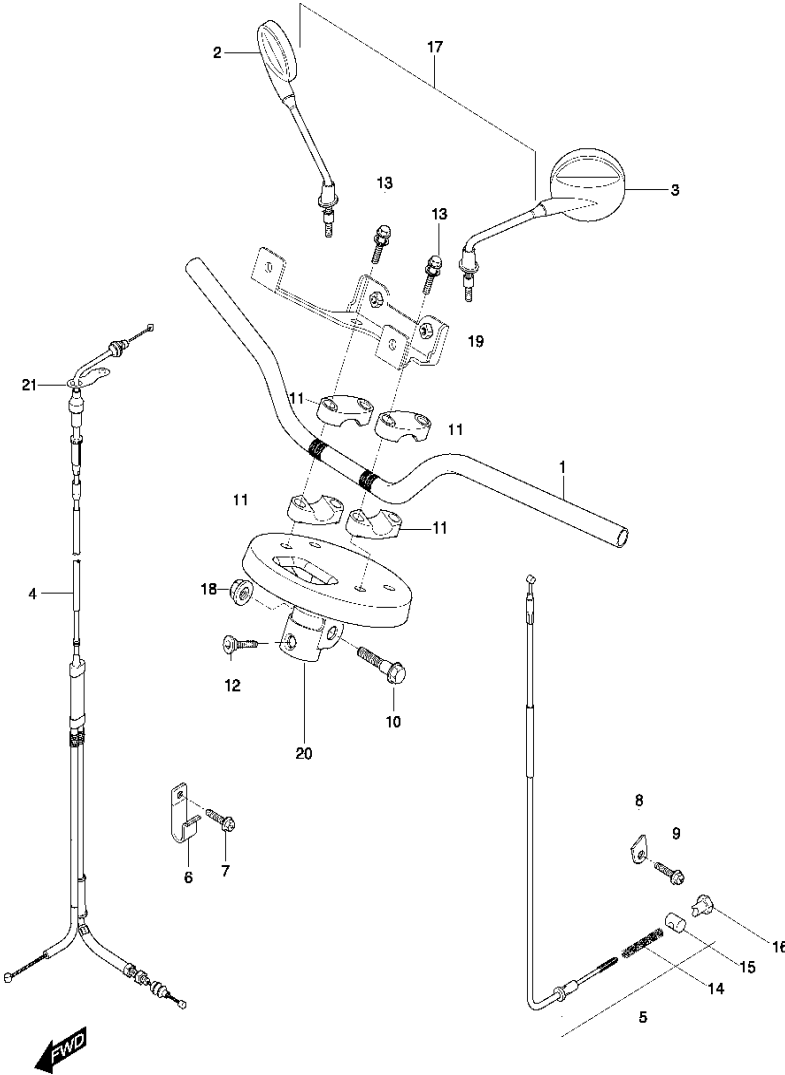


FIG 32. HANDLE COVER

REF.	PARTS NAME	Q`TY	
1	94611HN3200	WINDSCREEN	1
2	02142-06165	SCREW, windscreen & bracket	2
3	09169H06077	WASHER, windscreen	2
4	09320H08019	CUSHION, windscreen	2

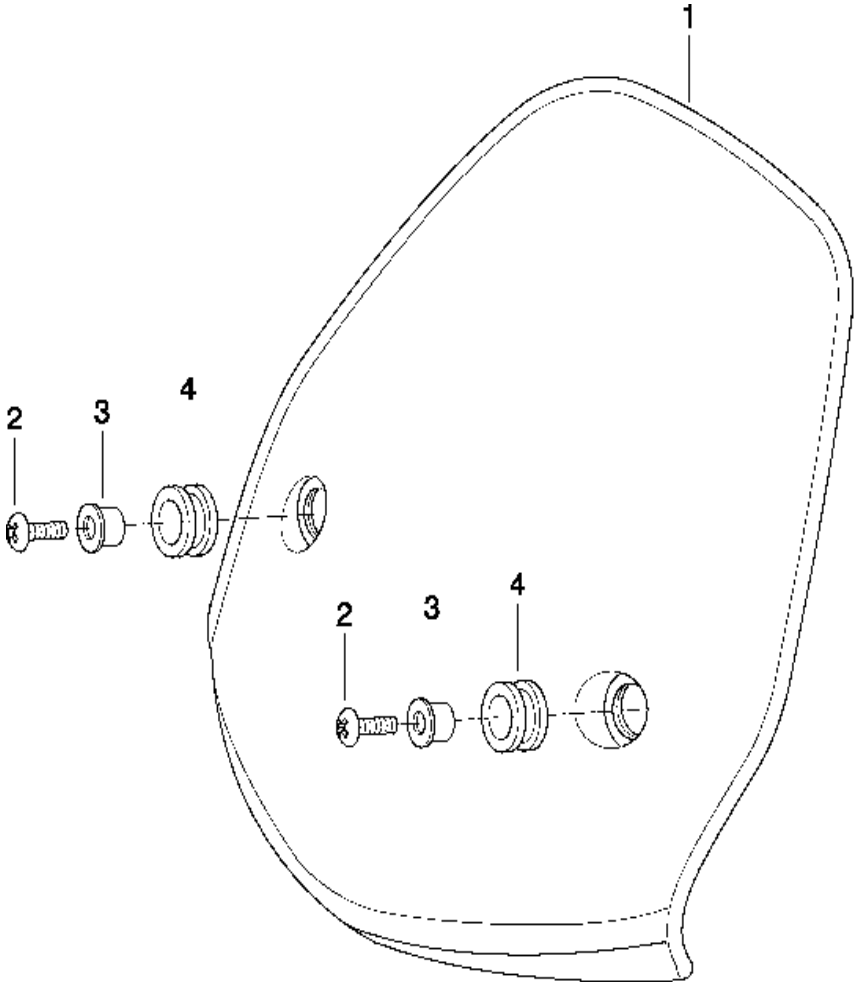


FIG 33. HANDLE SWITCH

REF. NO. PAT01	PARTS NAME	Q'TY
1	57110HN3201 GRIP COMP, throttle	1
2	37200HN3250 SWITCH ASS'Y, handle R	1
3	57511HG5800 HOLDER, lever	1
4	57211HN3200 GRIP, L	1
5	57500HN3201 LEVER ASS'Y, rear brake	1
6	57421-03A11 LEVER COMP, rear brake	1
7	02112-05255 SCREW(M5X25)	1
8	02112-06205 SCREW(M5X20)	1
9	08319-21055 NUT(M5)	1
10	37400HN3201 SWITCH STOP ASS'Y, handle LH	1
11	57460HN3200 SWITCH ASS'Y, stop	1
12	56271HF4501PLA BALANCER, handlebar	2
13	07110-08208 BOLT, handlebar balancer	2

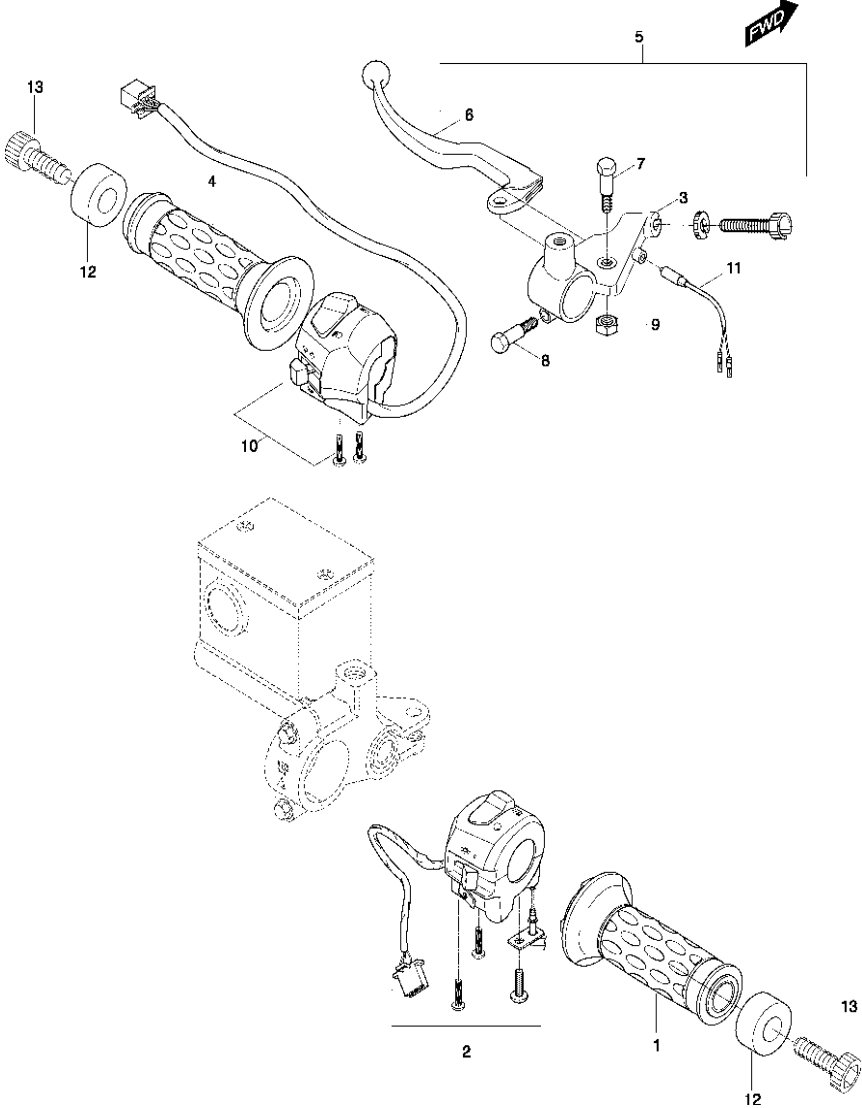


FIG 34. CALIPER

REF. NO.	PARTS NAME	Q'TY
1	59300-03A31304 CALIPER ASS'Y	1
2	07120-08208 BOLT, caliper(M8×20)	2
3	59170-03A00 SEAL	1
4	59308-03A00 BOOT	1
5	59300-03860 PAD SET	1
6	59315-36500 SPRING	1
7	59313-36A00 CARRIER, L	1
8	59312-36500 BOOT	1
9	59313-36500 INSULATOR	1
10	59121-18410 BLEEDER	1
11	59122H18420 CAP	1
12	59300-03810 PISTON SET	1
13	59360-03A31 HOUSING, caliper	1

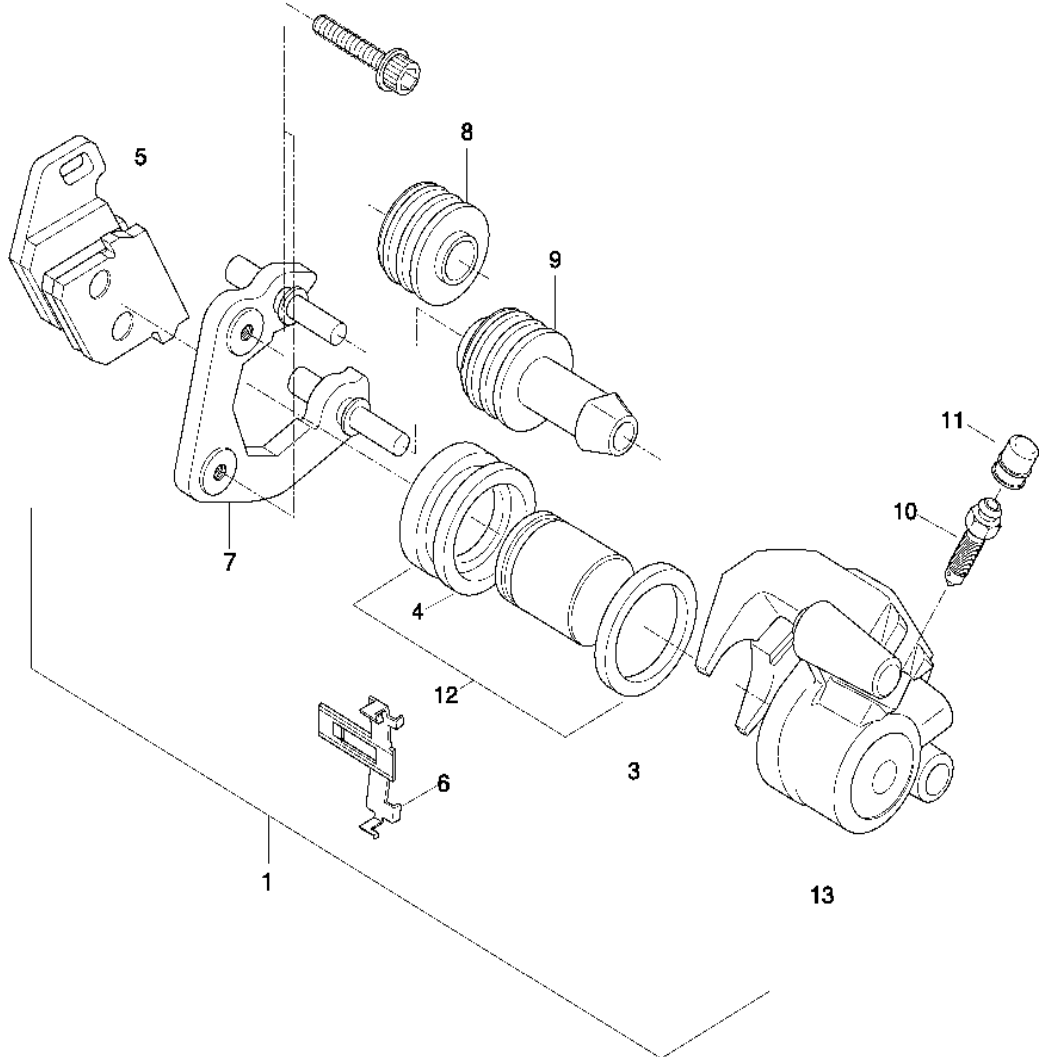


FIG 35. MASTER CYLINDER

REF. PARTS NAME Q'TY
NO. PAT01

REF. NO.	PARTS NAME	Q'TY
1	59600-35C03	1
2	57421-13001	1
3	57431H05D00	1
4	08319-21065	1
5	57460-17C00	1
6	02112-74108	1
7	09161-10005	4
8	09360-10039	2
9	59480HN3201	1
10	59691-35C00	2
11	08322-21064	1
12	09360-10039	1
13	59671-35C00	1
14	59711H49002	1

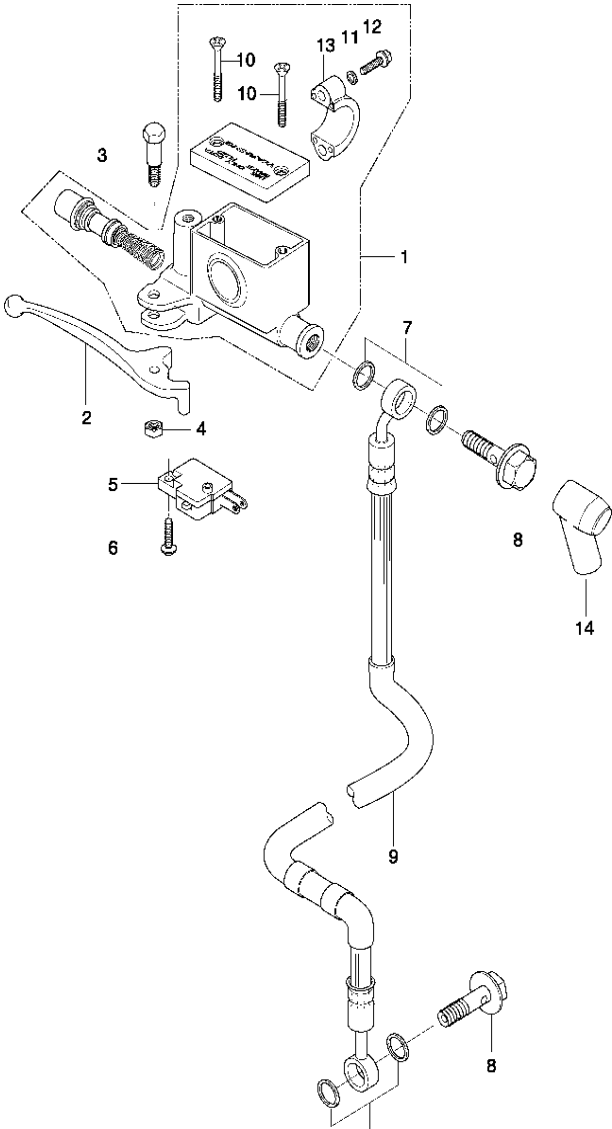


FIG 36. REAR FENDER

REF. PARTS NAME Q'TY
NO. PAT01

REF. NO.	PARTS NAME	Q'TY
1	47161HG260726B COVER, side lower	1
2	63111HG260526B REAR FENDER, rear upper	1
3	63112HG260126B REAR FENDER, rear lower	1
4	01517-06165 BOLT, rr fen rr up & side cov lower	4
5	09169H06077 WASHER, rr fen rr up & side cov lo	2
6	09136-06017 SCREW, rear fen rear upper & lower	3
7	08316-16068 NUT, rear fender rear upper & lower	3
8	35970-24D63 REFLEX REFLECTOR ASS'Y, rear	1
9	35971HF1600 CUSHION, reflex reflector	1
10	09160-060H1 WASHER, license lamp	1
11	08316-26055 NUT, rear reflex reflector(M5)	1
12	03241-05255 SCREW, side cover lower & side cov	4
13	09169-05009 WASHER, side cover lower & side c	4
14	09148-05039 NUT, side cover lower(M5)	1
15	62100HG2602 ABSORBER ASS'Y, rear shock	1
16	09103-10019 BOLT, rear shock absorber(M10X40	2
17	09169-06034 WASHER, rr fender rr up & side cov	2
18	02142-05305 SCREW, side cover lower & frame(l	2
19	09169-05009 WASHER, side cover lower & frame	2
20	35927HG2651 BKT,LICENSE PLT	1

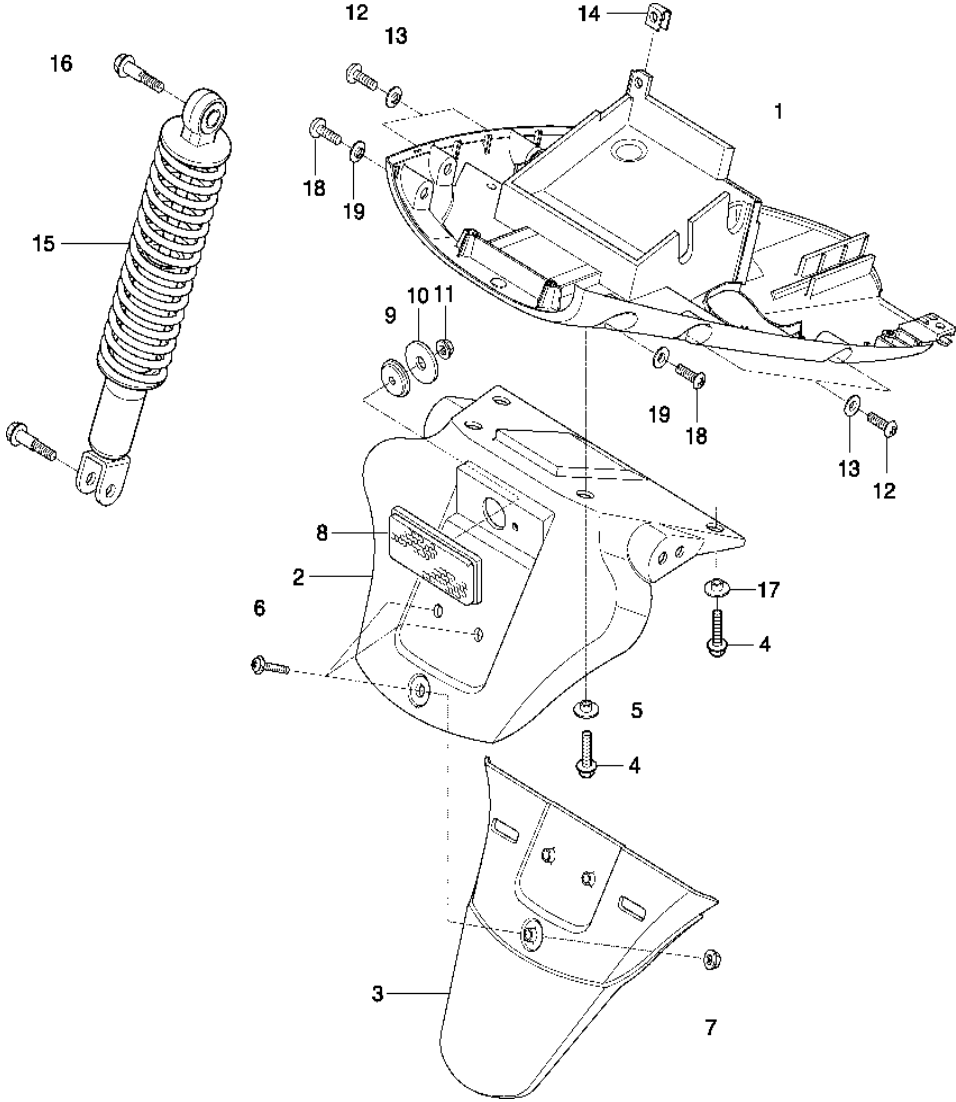


FIG 37. REAR WHEEL

REF. NO.	PAT01	PARTS NAME	Q'TY
1	64150HN3200120	WHEEL COMP, rear (3.00x12)	1
2	65109HN3200	TIRE SET, rear (120/70-12 51J)	1
3	64400HG2600	SHOE COMP, brake	2
4	09443H08025	SPRING, brake shoe	2
5	64441H11201	CAM, rear brake	1
6	64451-02111	LEVER, rear brake cam	1
7	12812-30A00	BOLT, rear brake cam lever(M6x34)	1
8	08316-16068	NUT, rear brake cam lever	1
9	09160-16025	WASHER, rear axle	1
10	08319-21168	NUT, rear axle(M16)	1
11	55220-29C20	VALVE ASS'Y, wheel rim	1
12	63115HG260626B	REAR FENDER, front	1
13	09136-06017	SCREW, rear fender front	4
14	64150SN3200HPA	WHEEL+TIRE SET, rear	1
15	63117HP5300	HEAT SHIELD RR FEN FT	1
16	63118HP9300	HEAT SHIELD RR FEN FT OUTEI	2

