

*Your way to experience***SF 50B**

ENGINE SYSTEM
2STROKE
AIR-COOLED

STARTER SYSTEM
ELECTRICKICK

DISPLACEMENT
49 cc

NUMBER OF CYLINDER
1

L×W×H
1,840×635×1,110 mm

WHEEL BASE
1,285 mm

GROUND CLEARANCE
140 mm

DRY MASS
95 kg

GEAR SHIFT PATTERN
AUTOMATIC

BRAKE SYSTEM
DISK front
DRUM rear

TIRE
110/70-12 47J front
120/70-12 51J rear

FUEL TANK
4.8 liter

New start, New life, SF50B.

New start together with SF50B changes your life-style in of hours & daily activity. It is the very close sidekick SF50B which you can go along anywhere. Show of the strong individuality of SF50B, and enjoy riding new life-style SF50B



 **HYOSUNG**
MOTORS & MACHINERY INC.

REFERENCE

1.The detailed specification of each model are referred by the persons who are in charge of overseas marketing team, Hyosung.

2.Special demand

When you order any colored parts, please add color code to the end of parts number and it will be helpful to register your parts order.

※ Color Code

DB : PEARL DEEP BLUE

PR : PEARL CANDY RED

S3 : STARDUST SILVER

MO : MONGO YELLOW

HYOSUNG MOTORS & MACHINERY INC.

FIG 1. CYLINDER

REF. NO.	RAT01	PARTS NAME	Q`TY
1	11111H11200	HEAD, cylinder	1
2	11141-02110	GASKET, cylinder head	1
3	08316-16068	NUT, cylinder head (M6)	5
4	09482-01060	SPARK PLUG (B8HS)	1
5	11211HG2602PCY	CYLINDER	1
6	11241HF1602	GASKET, cylinder	1
7	01421-06858	STUD BOLT, cylinder	4

FIG 1

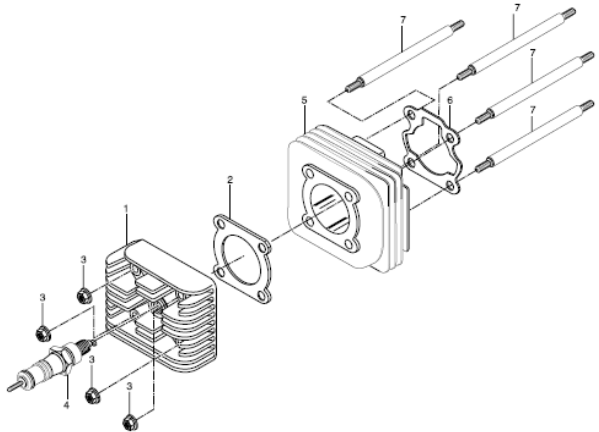


FIG 2. CRANK CASE

REF. NO.	RAT01	PARTS NAME	Q'TY
1	11311HG2650HPA	CRANKCASE, R	1
2	09319-10030	BUSH, engine mounting	2
3	04213-09129	KNOCK PIN, crankcase	2
4	11321HG2650HPA	CRANKCASE, L	1
5	09319-10032	BUSH, rear shock absorber	1
6	09404-06401	CLAMP, intake pipe	2
7	02112-06508	SCREW, crank case(M6×50)	3
8	02112-06558	SCREW, crank case(M6×55)	2
9	11431HN3250PCR	COVER, gear box	1
10	11384HG2601	CUSHION, clutch cover upper	1
11	11385HG2601	CUSHION, clutch cover lower	1
12	01514-08128	BOLT, oil level(M8×12)	1
13	09168-08008	GASKET, oil level bolt	1
14	01547-06308	BOLT, gear box cover(M6×30)	6
15	04213-11149	KNOCK PIN, gear box cover	2
16	09168H10003	GASKET, oil drain bolt	1
17	09247-100A8	PLUG, oil drain	1
18	11484HG2602	GASKET, gear box cover	1
19	13110HG2600	PIPE COMP, intake	1
20	13126HF1601	GASKET intake pipe	2
21	13150HF1600	VALVE ASS'Y, reed	1
22	13125HF1601	GASKET, reed valve	1
23	02112-96256	SCREW, intake pipe(M6×25)	4
23-1	09139H06026	SCREW, intake pipe(M6×25)	1
24	09128-06005	SCREW, carburetor	1
24-1	09139H06021	SCREW, carburetor	1
25	08316-26108	NUT, engine mount	1
26	09103H10132	BOLT, engine mount(M10)	1
27	09250H11005	PLUG, oil filler	1
28	64231-07903	PIN, rear brake anchor	1
29	16910-09401	UNION COMP	1

FIG 2

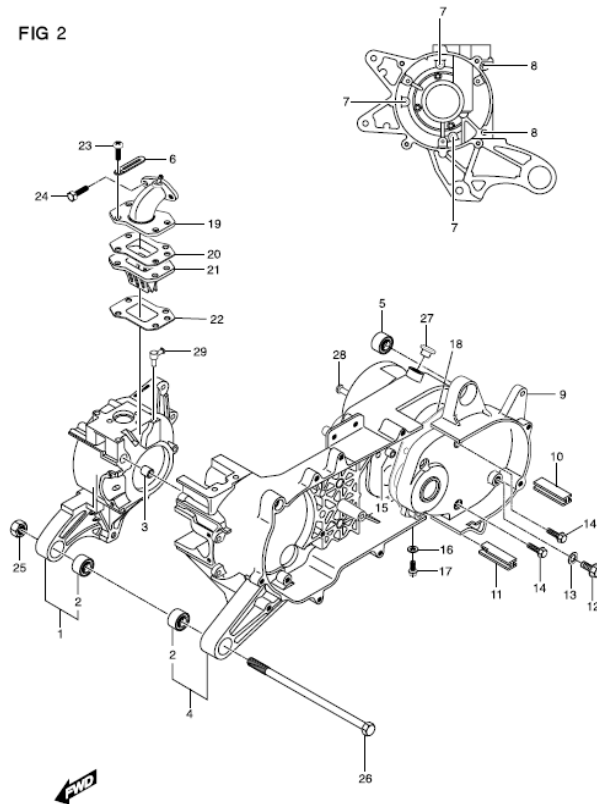


FIG 3. CLUTCH COVER

REF. PARTS NAME
 NO. RAT01

REF. NO.	PARTS NAME	Q'TY
1	11341HG260303P COVER, clutch	1
2	11482HG2601 GASKET, clutch cover	1
3	04213-11149 KNOCK PIN, clutch cover	2
4	01547-06258 BOLT, clutch cover(M6×25)	1
4-1	09139H06026 SCREW,CLUTCH COVER	1
5	01547-06358 BOLT, clutch cover(M6×35)	1
6	01547-06608 BOLT, clutch cover(M6×60)	1
7	09285-14001 OIL SEAL, kick shaft	1

FIG 3

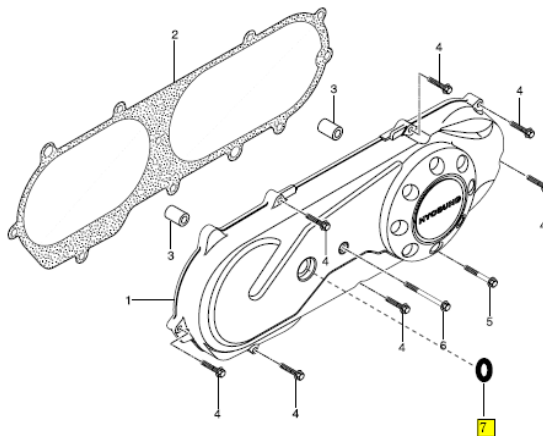


FIG 4. CRANK SHAFT

REF. NO.	RAT01	PARTS NAME	Q'TY
1	12110H11214PSA	PISTON COMP	1
2	12141-35010	RING, piston 1st	1
3	12142-29C10	RING, piston 2nd	1
5	12151-46501	PIN, piston	1
6	09381-10006	CIRCLIP, piston pin	2
7	12200HG2600HPA	SHAFT ASS'Y, crank	1
8	12161-37B02	ROD, connecting	1
9	12211H11201888	PIN, crank	1
10	12221HG2600CSA	CRANKSHAFT, R	1
11	12261H111A00CSA	CRANKSHAFT, L	1
12	09263H16004	BEARING, crank pin	1
13	09262H250A2	BEARING, crankshaft R(28×68×18)	1
14	09262H250A2	BEARING, crankshaft L(28×68×18)	1
15	09283-25083	OIL SEAL, crankshaft L(23.9×37×6)	1
16	09283-25083	OIL SEAL, crankshaft R No. 1(23.9×37×6)	1
17	09284-20051	OIL SEAL, crankshaft R No. 2(23.9×42×6)	1
18	09160H16040	THRUST WASHER, connecting rod	2
19	12620HG2600	GEAR COMP, starter driven	1
20	09180H18005	SPACER, crankshaft oil seal	1
21	09263H10003	BEARING, piston pin(10×14×12.5)	1

FIG 4

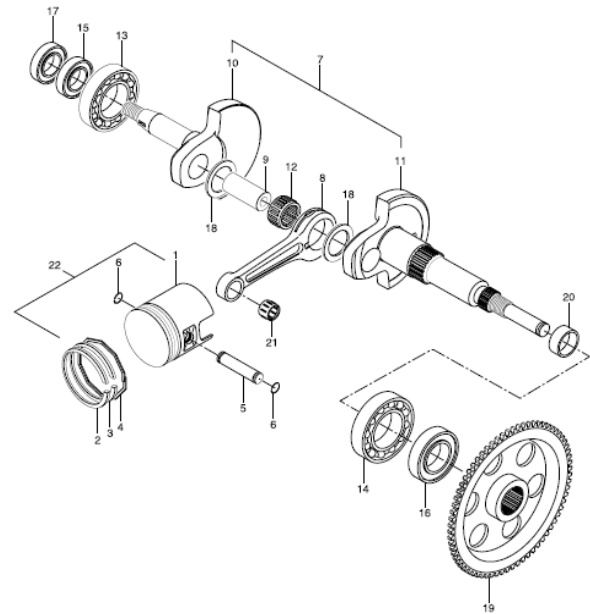


FIG 5. CARBURETOR

REF. NO.	RAT01	PARTS NAME	Q'TY
1	13091HG2650	CARBURETOR ASS'Y	1
2	13681HG2600	CAP.carburetor top	1
3	13551HG2630	VALVE,piston(CA)	1
4	13258HG2600	O-RING	1
5	09492H27030	JET,pilot(PJ)	1
6	09494H00030	JET,needle(NJ)	1
7	09491H65001	JET,main(MJ)	1
8	13245HG2600	BODY ASS'Y,float	1
9	13602-05108	SCREW(M5 X 10)	1
10	13557HG2600	PLATE	1
11	13411HG2600	PLUNGER ASS'Y	1
12	13573HG2600	SPRING	1
13	09408H00001	CLIP	1
14	13601-05148	SCREW	2
15	13394HG2600	E-RING	1
16	13383HG2630	NEEDLE,jet(JN)	1
17	13278HG2600	O-RING	1
18	13247-13A00	SCREW	1
19	13684HG2600	HOSE(5 X 8 X 125)	1
20	13254HG2600	PIN	1
21	13602-04088	SCREW	1
22	13370HG2600	VALVE ASS'Y,needle(VS)	1
23	13250-29C50	FLOAT ASS'Y	1
24	13295-29900	O-RING	1
25	13606-47A00	WASHER	1
26	13268-35010	SPRING	2
27	13279HG2600	ADJUSTER(AS)	1
28	13295-33010	O-RING	1
29	13267HG2600	SCREW,adjuster	1
30	13291-35010	WASHER	1
31	13692-36C00	HEAT CARBURETOR	1
32	13694-40D00	THERMO SW CARB	1

FIG 5

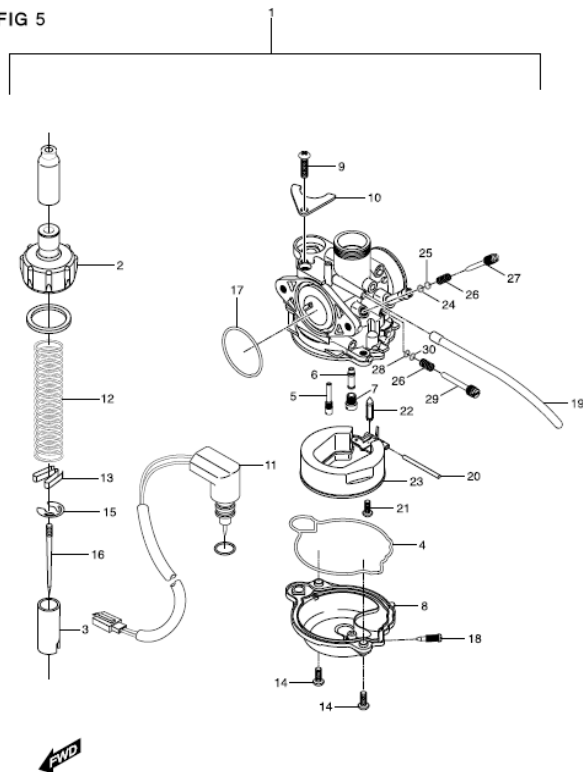


FIG 6. AIR CLEANER

REF. NO.	PARTS NAME	Q'TY
RAT01		
1	13700HG2603 CLEANER ASS'Y, air	1
2	13720HG2603 CASE COMP, air cleaner	1
3	13751HG2601 TRAP, air cleaner	1
4	13781HG2601 FILTER, air cleaner	1
5	13740HG2603 CAP COMP, air cleaner	1
6	13881HG2601 TUBE, outlet	1
7	09402-42207 CLAMP, outlet cleaner	1
8	03151-06258 SCREW, air cleaner cap(M6×25)	1
9	09169H06048 WASHER, air cleaner cap	1
10	02142-05165 SCREW, air cleaner cap(M5×16)	7
11	01547-06303 BOLT, air cleaner(M3×30)	2
12	13725HF4500 COLLAR, air cleaner	2

FIG 6

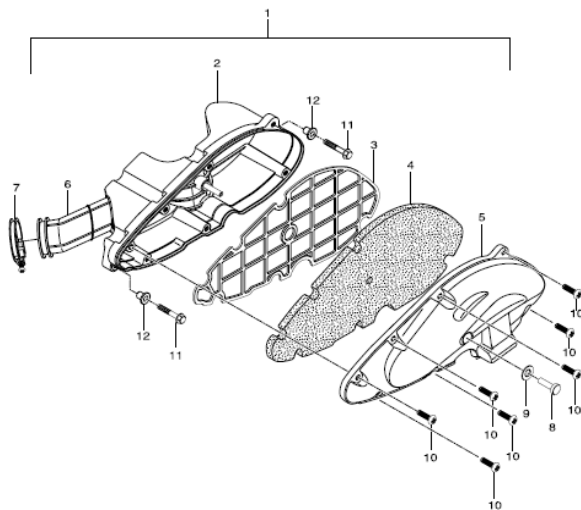


FIG 7. MUFFLER

REF. NO.	PARTS NAME	Q'TY
-------------	------------	------

1	14310HG2661PAM BODY COMP, muffler	1
2	14781HG2601PLA COVER COMP, muffler	1
3	01177-08268 BOLT, support bracket(M8×26)	2
4	02112-36108 SCREW, muffler cover(M6×10)	3
5	01137-06258 BOLT, exhaust pipe(M6×25)	2
6	14181HG2600 GASKET, exhaust pipe	1

FIG 7

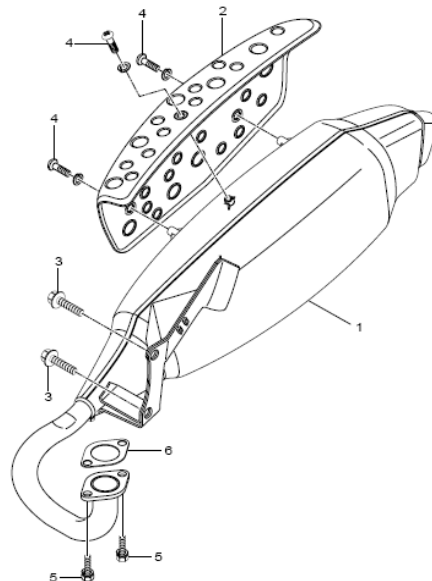


FIG 8. OIL PUMP

REF. NO.		PARTS NAME	Q'TY
RAT01			
1	16100HG2601	PUMP ASS'Y, oil	1
2	09280H20002	O-RING, oil pump	1
3	16331H11200	GEAR, oil pump pinion NT:30	1
4	02112-35168	SCREW, oil pump(M5×16)	2
5	09401-04401	CLIP, oil hose No.1	1
6	16631HG2600	BRACKET, oil pump cable adjust	1
7	02112-06128	SCREW, oil pump bracket	2
8	09401-08401	CLIP, oil hose No2	1

FIG 8

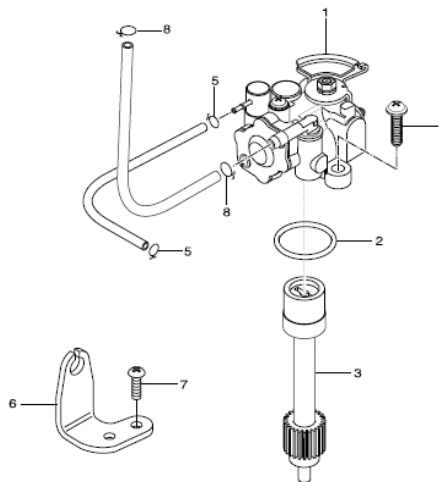


FIG 9. COOLING FAN

REF. NO.	PARTS NAME	Q'TY
	RAT01	
	17110H11200 FAN COMP, cooling	1
1	17111H11200 FAN, cooling	1
2	17140HG2600 CASE COMP, fan	1
3	17130HG2601 COWLING COMP, fan	1
4	17120HG2601 COWLING COMP, cylinder	1
5	17134-02900 SPACER	2
6	02112-96168 SCREW(M6×12)	2
7	02152-06168 SCREW(M6×16)	4
8	03151-06205 SCREW(M6×20)	1
9	03151-06205 SCREW(M6×16)	5
10	02112-96168 SCREW	2
11	09404-06401 CLAMP	1
12	17122H11200 CUSHION	1

FIG 9

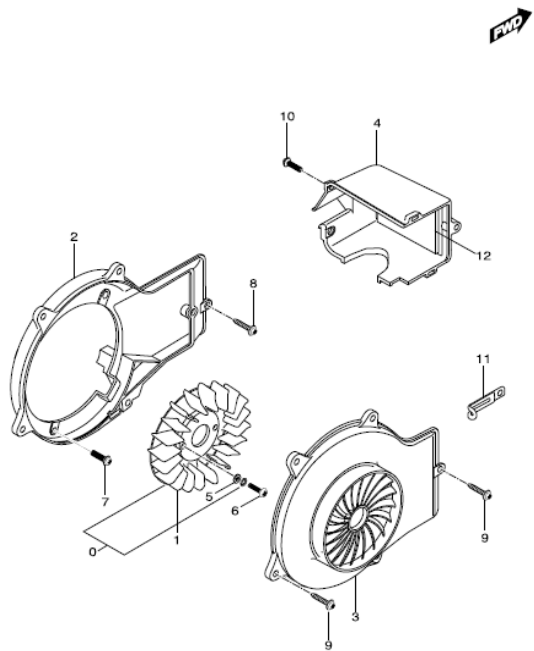


FIG 10. TRANSMISSION[1]

REF. NO.	RAT01	PARTS NAME	Q'TY
1	27601HG2600	V-BELT, drive	1
2	21110H11A02	FACE COMP, fixed drive	1
3-1	21120HG2650HPA	FACE COMP, movable drive	1
4	21431HE7100	PLATE, movable drive	1
5	21481HE7100	DAMPER, movable drive face plate	3
6	21650HG2620HPA	ROLLER MOVABLE DRIVE ASS'Y	6
7	21122-37B01	COVER, movable drive face	1
8	02142-04108	SCREW, movable drive face(M4×10)	1
9	09180H16022	SPACER, movable drive	1
9-1	09180H22020	SPACER, movable drive	1
10	08332-11079	E-RING, kick starter driven spacer	1
11	26280-29C00	GEAR COMP, kick starter driven NT:9	1
12	26282H11A00	NUT, kick starter driven(M12)	1
13	09440H14007	SPRING, kick starter driven	1
14	26283H11200	SPACER, kick starter driven	1

FIG 10

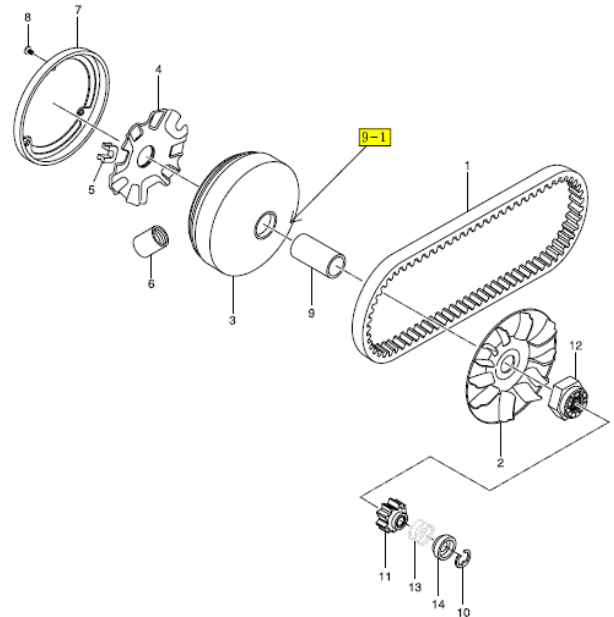


FIG 11. TRANSMISSION[2]

REF. NO.	RAT01	PARTS NAME	Q'TY	
		21091HG2601	PULLEY SET, driven	1
1		24111H11223	SHAFT, drive 14T	1
2		21210-09E02	FACE COMP, fixed driven	1
3		09201H06002	PIN, movable driven	3
4		09180H06042	SPACER, movable driven pin	3
5		09440H52003	SPRING	1
6		21240HG2600	FACE COMP, movable driven	1
7		09284-34002	OIL SEAL, movable driven (34x39x4)	2
8		09280-41005	O-RING, movable driven (39.x1.6)	2
9		21471-03A03	SHEET, movable driven face	1
10		09263H17001	BEARING, fixed driven R (17x25x10)	1
11		21220-04C12	HOUSIGN COMP, clutch	1
12		21501HG2600	CLUTCH ASS'Y, shoe (NA)	1
13		09140H28004	NUT(M28)	1
14		08316-26108	NUT(M10)	1
15		24310H11A01HPA	GEAR ASS'Y, counter driven	2
16		09160-15034	THRUST WASHER, counter shaft R	2
17		08113-62010	BEARING (12x32x10)	1
18		08113-62020	BEARING (15x35x11)	1
19		02122-06168	SCREW, retainer(M6x16)	2
20		09262H17001	BEARING (17x47x14)	1
21		08120H69017	BEARING (12x24x6)	1
22		09283H17002	OIL SEAL (17x27x5)	1
23		24141HG2600	SHAFT, rear axle	1
24		24331H11220	GEAR, final (40T)	1
25		08331-31229	CIRCLIP	2
26		09283-27010	OIL SEAL (27x40x7)	1
27		08130-62047	BEARING (20x47x14)	1
28		24751H07900	RETAINER	1
29		08331-41249	CIRCLIP	1
30		08113-62030	BEAREING (17x40x12)	1

FIG 11

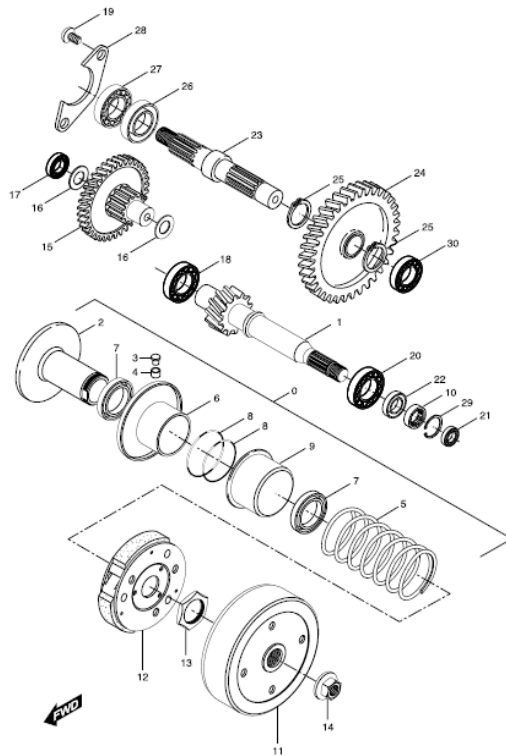


FIG 12. KICK STARTER

REF. NO.	RAT01	PARTS NAME	Q'TY
1	26210HF1601	SHAFT COMP, kick starter	1
2	02142-06108	SCREW(M6×10)	1
3	09448-58003	SPRING	1
4	08331-31149	CLRCLIP	1
5	26300-41D00	LEVER ASS'Y, kick starter	1
6	01107-06208	BOLT, kick starter lever(M6×20)	1

FIG 12

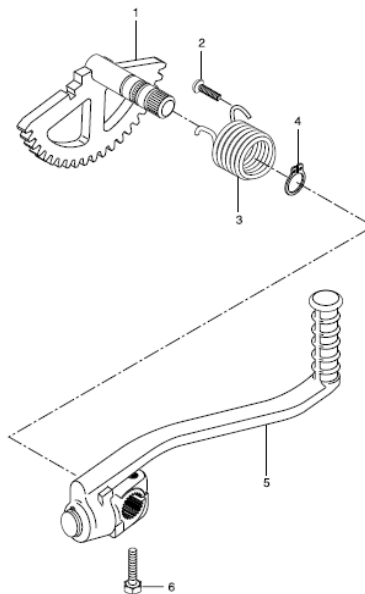


FIG 13. STARTING MOTOR

REF. NO.	RAT01	PARTS NAME	Q'TY
1	31100H11A02	MOTOR ASS'Y, starting	1
2	31370H11200	PINION GEAR ASS'Y	1
3	02112-06608	SCREW, starting motor mounting (M6×6)	2
4	31131-02100	BRUSH SET	1
5	31156-02100	O-RING	1
6	31158-02540	GASKET	1
7	31158-02100	O-RING	1
8	31151-02540	SCREW B(M4X14)	2
9	31151-02100	SCREW A(M4X30)	3
10	31132H51600	HOLDER	1
11	31151-02100	LEAD WIRE	1
12	31152-02540	SCREW	1
13	09404-06403	CLAMP	1
14	31120H51600	COVER, starting motor	1
15	31311H11200	ARMATURE	1

FIG 13

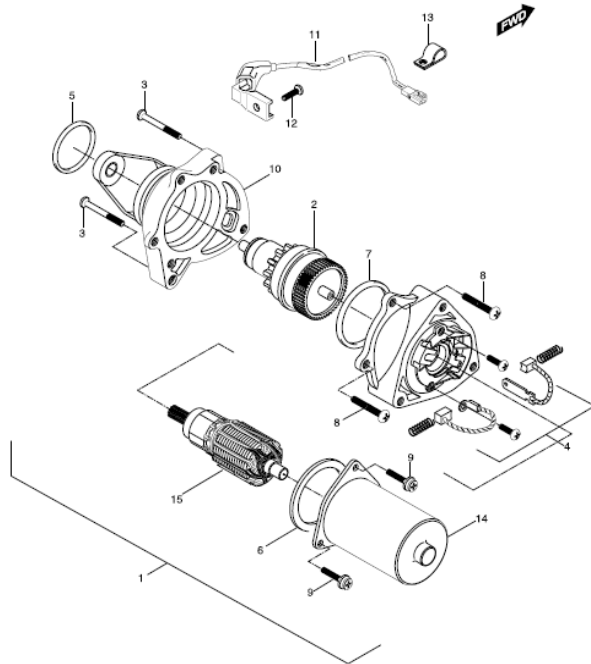


FIG 14. MAGNETO

REF. NO.	PARTS NAME	Q'TY
	RAT01	
	32100HG2680 MAGNETO ASS'Y	1
1	08316-26108 NUT, magneto rotor(M10)	1
2	08321-31108 LOCK WASHER, magneto	1
3	08322-21108 WASHER, magneto	1
4	08341-31039 KEY, magneto	1
5	09132H05128 SCREW, magneto stater(M5X12)	3
6	02112-05106 SCREW, pick up coil(M5X10)	2
7	32101HG2680 STATOR ASS'Y	1
8	32102HG2670 ROTOR ASS'Y	1
9-A	09404-16404 CLAMP, magneto lead wire	1
9-B	02112-04086 SCREW	1
10	09120-06081 SCREW	2

FIG 14

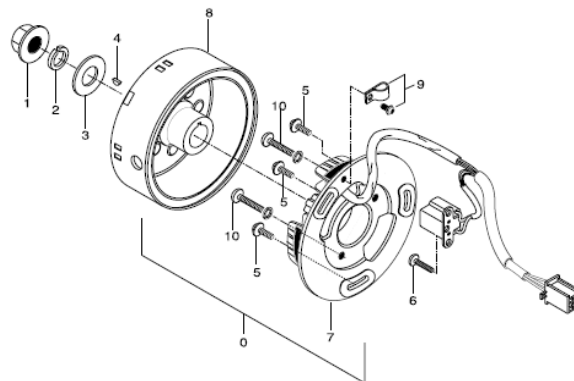


FIG 15. ELECTRICAL

REF. NO.	RAT01	PARTS NAME	Q'TY
1	33410HK3101	COIL ASS'Y, ignition	1
2	33510H11200	CAP, spark plug	1
3	33543HG2600	BOOT, spark plug cap	1
4	01134-06208	BOLT, ignition coil(M6×20)	1
5	33610-40B12	BATTERY ASS'Y (12V, 4AH)	1
6	38610HL7350	RELAY ASS'Y, turnsignal	1
7	31800H47A00	RELAY ASS'Y, starting motor	1
8	02142-06128	SCREW, starting motor relay(M6×12)	1
9	32800-36C20	RECTIFIER ASS'Y	1
10	02142-06165	SCREW, rectifier(M6×16)	1
11	32900HG2650	C.D.I UNIT	1
12	02142-06128	SCREW, C.D.I unit(M6×12)	1

FIG 15

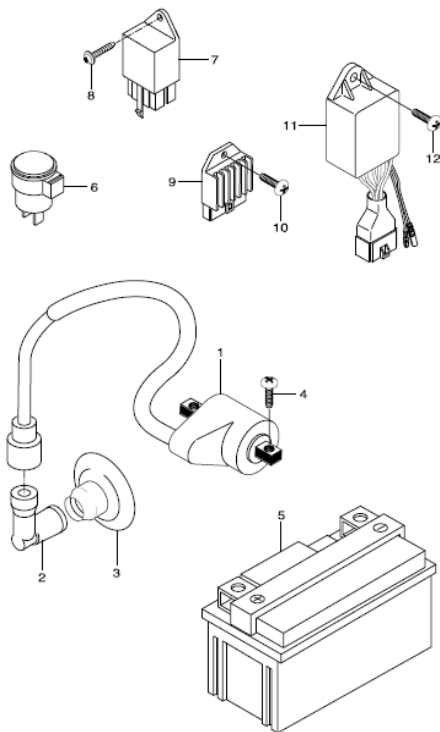


FIG 16. SPEEDOMETER

REF. NO.	RAT01	PARTS NAME	Q'TY
1	34100HK2750	SPEEDOMETER ASS'Y	1
2	03241-05165	SCREW, speedo meter	1
3	03241-05206	SCREW, speedo meter	2
4	34910HB1101	CABLE ASS'Y, speedometer	1
5	34210HG2600	DECORATION, speedometer	1
6	34150HG2600	WINDOW CASE	1
7	34112HG2600	DIAL	1
8	34150HG2600	CASE.SUB	1
9	03241-05165	SCREW, speedometer(M5×16)	1
10	34170HG2600	WIRING ASS'Y	1

FIG 16

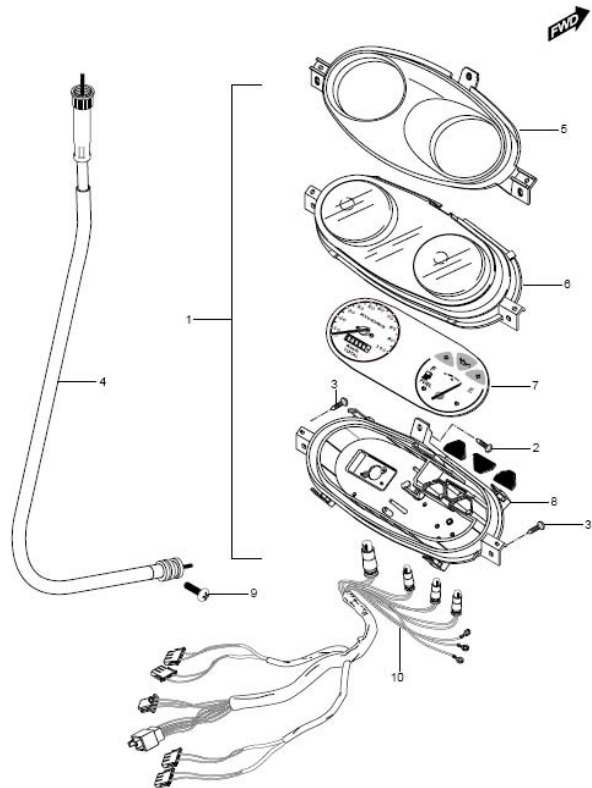


FIG 17. HEAD LAMP

REF. NO.	RAT01	PARTS NAME	Q'TY
1	35100HN3202	HEAD LAMP ASSY	1
2	09471-12102	BULB, head lamp(12V 35/35W)	1
2-A	09471-12103	BULB, head lamp(12V 35/35W) KM4CA14C141114753~	1
3	35130HN3200	WIRING ASS'Y, head lamp	1
3-A	35130HN3202	WIRING ASS'Y, head lamp KM4CA14C141114753~	1
4	09111H05001	BOLT, head lamp	2
5	35151H11200	BOLT, head lamp aiming	1
6	35128H11200	PLATE WASHER, head lamp aiming	1
7	08322-21068	WAVE WASHER, head lamp aiming	1
8	48115HM3600	PLATE,HEAD LAMP AIMING	1
9	03241-05165	SCREW, headlamp aiming plate	2

FIG. 17

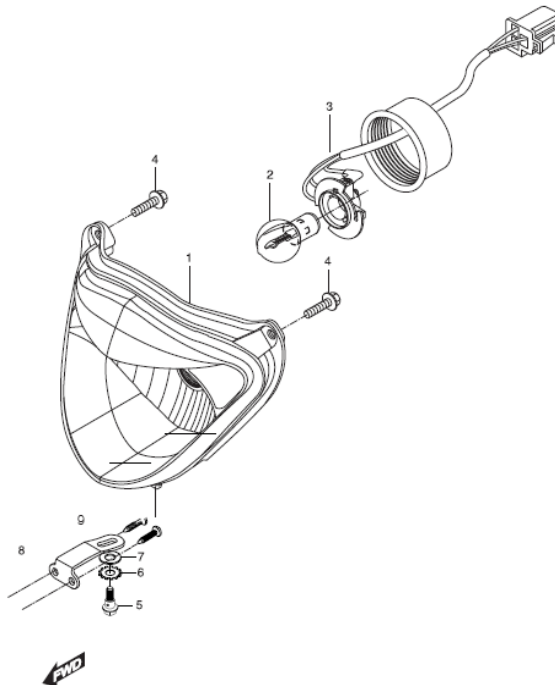


FIG 18. REAR COMBINATION

REF. PARTS NAME Q'TY
NO. RAT01

REF. NO.	PARTS NAME	Q'TY
1	35710HG2660 LAMP ASS'Y, tail & stop	1
2	02142-06125 BOLT, tail & stop lamp(M6×12)	2
3	03241-05165 SCREW, tail & stop lamp(M5×16)	2
4	09148-05039 NUT, tail & stop lamp(M5)	1
5	09471-12046 BULB, tail & stop (12V 10/5W)	1
6	35603HG2650 LAMP ASS'Y, rear turnsignal R	1
7	09471-12142 BULB, rear turnsignal (12V 10W)	2
8	35604HG2650 LAMP ASS'Y, rear turnsignal L	1
9	35652-35C00 LENS, rear turnsignal R	1
9-1	35672-35C00 LENS, rear turnsignal L	1
10	08310-11068 NUT, rear turnsignal(M6)	2
11	08322-21068 WASHER, rear turnsignal	2
12	03211-04205 SCREW(M4×20)	2
13	35625-01A00 TAPPING SCREW	2
14	35712HG2600 LENS, tail & stop	1
15	35722HG2600 CUSHION, licence lamp	2

FIG 18

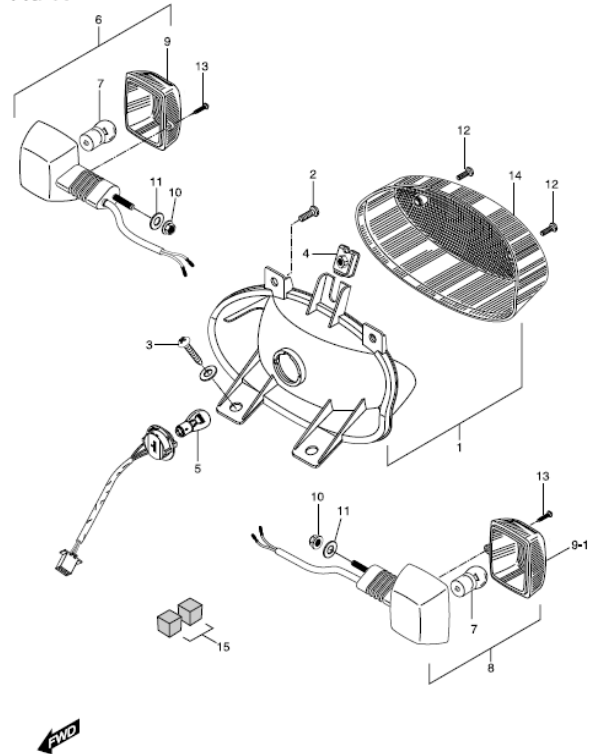


FIG 19. WIRING HARNESS

REF. NO.	RAT01	PARTS NAME	Q'TY
1	36610HK2770	HARNESS, wiring	1
1~1	36610HK2760	HARNESS, wiring KM4CA105X61117161~	1
2	38500HN3201	HORN ASSY	1
3	02112-36128	BOLT, HORN(M6×12)	1
4	37000HG2630	KEY SET	1
5	37100HG2430	LOCK ASSY, steering	1
5-1	37155HJ6130	CAP, steering lock	1
6	09128-06005	SCREW, steering lock(M6×12)	1
7	09407-254A1	CLAMP, wiring harness	1
8	09403-09301	CLAMP, wiring harness	1
9	09407-22402	CLAMP, wiring harness	7
10	09404-06401	CLAMP, wiring harness	2
11	37111HB1400	Blank key	1

FIG 19

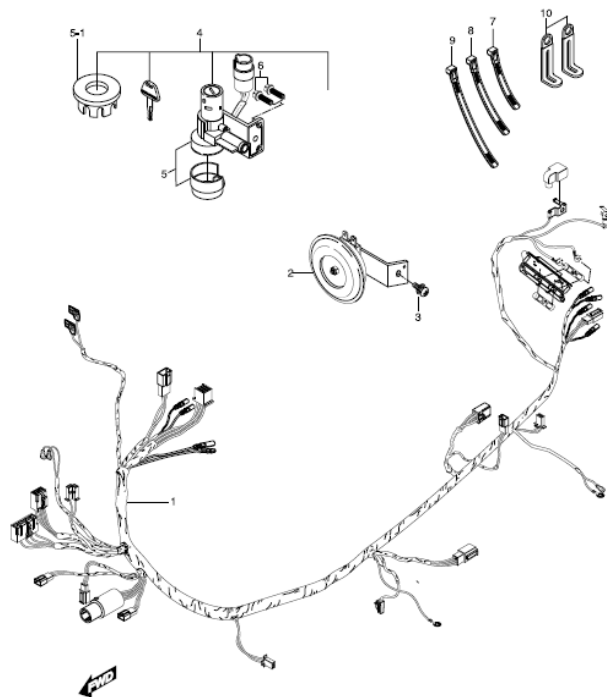


FIG 20. FRAME

REF. NO.	RAT01	PARTS NAME	Q'TY
1	41100HN3250PAM	FRAME COMP	1
2	41551HK2701	PLATE, leg shield rear front	1
3	61110HG2603	LINK COMP, engine mounting	1
4	41512HG2600	BRACKET, leg front upper	1
5	61121H11201	CUSHION, engine mounting link	1
6	09319H12025	BUSH, engine mounting link	2
7	09103-12045	BOLT, engine mounting link(M12×40)	1
8	08319-31126	NUT, engine mounting link(M12)	1
9	03241-05165	SCREW, frame & side cover lower R/L	3
10	01517-06125	BOLT, leg shield rear front plate(M6×12)	2
11	08316-26066	NUT, leg front upper bracket(M6)	2
12	03241-05108	SCREW, frame & side cover lower rr LH	1
13	02142-05125	SCREW, side cover lower & frame	1
14	92113HG260126B	HOOK, leg shield cover	1
15	01517-06125	BOLT, leg shield cover hook(M6×12)	1
16	03241-05165	SCREW, frame & leg shield cover(M5×1	2
17	61110HG2603HPA	LINK COMP, engine mounting	1

FIG 20

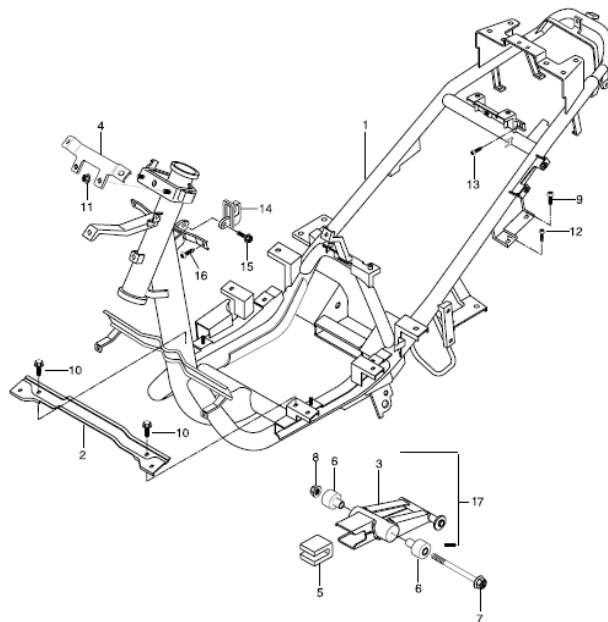


FIG 21. STAND

REF. NO.	RAT01	PARTS NAME	Q'TY
1	42110HG2609	STAND COMP, center	1
2	42310HG2651	STAND COMP, prop	1
3	42211HG2600	SHAFT, center stand pivot	1
4	09321-10001	CUSHION, center stand spring	1
5	09443H17005	SPRING, center stand	1
6	09443-14036	SPRING, prop stand	1
7	09100-10031	BOLT, prop stand(M10×30)	1
8	08313-11107	NUT, prop stand(M10)	1
9	09100-06078	BOLT, center stand spring(M6×33)	1
10	09140-06007	NUT, center stand spring(M6)	1
11	08322-11106	WASHER, center stand	1
12	09204-02003	COTTER PIN, center stand	1
13	09443H10001	SPRING, center stand inner	1
14	09443-06001	SPRING, prop stand inner	1

FIG 21

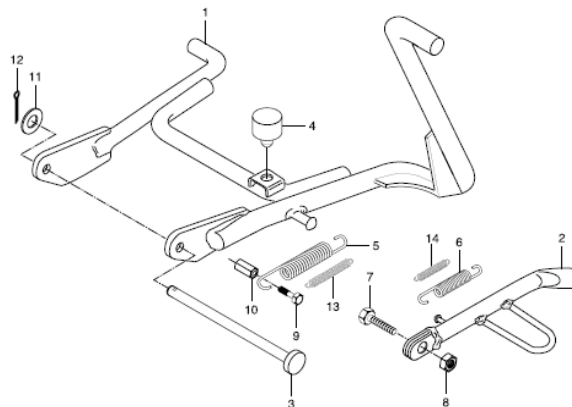


FIG 22. FUEL TANK

REF. NO.	RAT01	PARTS NAME	Q'TY
1	44100HK2704PAH	TANK SET, fuel	1
2	44110HK2704PAM	TANK COMP, fuel	1
3	15100HG2600	PUMP ASS'Y, fuel	1
4	34810HK2700	GAUGE ASS'Y, fuel sender	1
4~1	34810HK2701	GAUGE ASS'Y, fuel sender KM4CA14CX61117167~	1
6	44200HK2701	CAP SET, fuel tank filler	1
7	44210HK2700	CAP COMP, fuel tank filler	1
8	44248-35000	GASKET, fuel tank filler cap	1
9	33652-29100	CUSHION, fuel tank (90X20X3t)	2
10	08316-26066	NUT, fuel tank front(M6)	2
11	01517-06125	BOLT, fuel tank rear(M6X12)	2
12	44199HK2701	HOSE, fuel strainer inlet	1
13	44197HK2701	HOSE, fuel strainer outlet	1
14	44910HG2600	STARINER COMP, fuel	1
15	09401-12401	CLIP, fuel inlet hose No1	1
16	09401-08401	CLIP, fuel inlet hose No2	1
17	09401-08401	CLIP, fuel outlet hose No1	1
18	09401-10401	CLIP, fuel outlet hose No2	1
19	02112-35168	SCREW, fuel pump(M5x16)	2
20	15821HK2700	HOSE, fuel No1	1
21	15831HK2700	HOSE, fuel No2	1
22	09401-09101	CLIP, fuel hose	2
23	09401-10401	CLIP, fuel hose	2
24	34811HE7100	PLATE, fuel gauge	1
25	44613HE7100	CUSHION, fuel tank No2	1

FIG 22

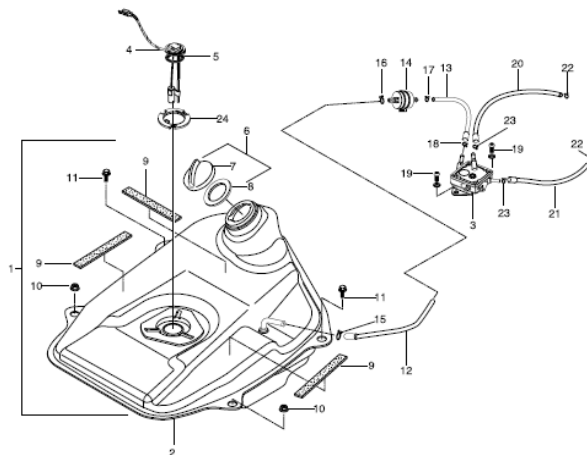


FIG 23. OIL TANK

REF. NO.		PARTS NAME	Q'TY
1	44610HG2650	TANK SET, oil	1
2	37880HG2600	SWITCH ASS'Y, oil level	1
3	44668HG2600	GASKET, oil tank cap lower	1
4	44651HG2600	CAP, oil tank filler	1
5	44616HG2600	CUSHION, oil tank & helmet box(58X14	2
6	41589HG5900	CUSHION, oil tank & battery(100X55X	1
7	44643-31000	GASKET, oil level switch	1

FIG 23

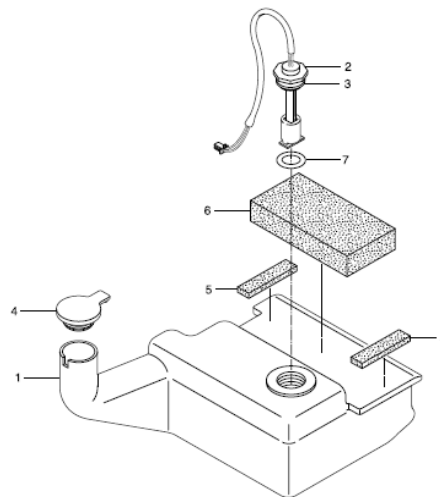


FIG 24. SEAT

REF. PARTS NAME Q'TY
NO. RAT01

REF. NO.	PARTS NAME	Q'TY
1	45100HG2603 SEAT SET, front	1
2	45200HG2603 SEAT SET, pillion	1
3	46411HM360603P CARRIER, rear	1
4	92311HG260226B BOX, helmet rear	1
5	45220HG2601 LOCK, seat striker	1
6	45293HG2600 BRACKET, pillion seat	1
7	45285HE7100 BRACKET, seat support front	1
8	45551HG2601 PLATE, seat striker lock No.3	1
9	44218HF4500 CUSHION, helmet box(50X35X6t)	4
10	09443H06006 SPRING, seat striker lock No.3 & frame	1
11	09111-06019 BOLT, seat striker & frame(M6X14.6)	1
12	08316-26066 NUT, seat striker lock(M6)	2
13	08316-26066 NUT, seat support front(M6)	2
14	45215HE7100 BOLT(M6X65)	1
15	01517-06168 BOLT(M6X16)	2
16	01517-08358 BOLT, rear carrier(M8X35)	2
17	09180H081F5 SPACER, rear carrier	1
18	02142-06165 SCREW, helmet box & frame(M6X16)	4
19	09169-06034 WASHER, helmet box & frame	4
20	92331HG260026B COVER, battery	1
21	02142-06125 SCREW, battery cov & helmet box(M6X	2
22	09169-05009 WASHER, battery cov & helmet box	2
23	45280HG2602 CABLE ASS'Y, seat lock	1
24	08322-21088 WASHER, rear carrier rear	3
25	09103H08254 BOLT, rear carrier rear(L=40)	1
26	09180H081F5 SPACER, rear carrier	2

FIG 24

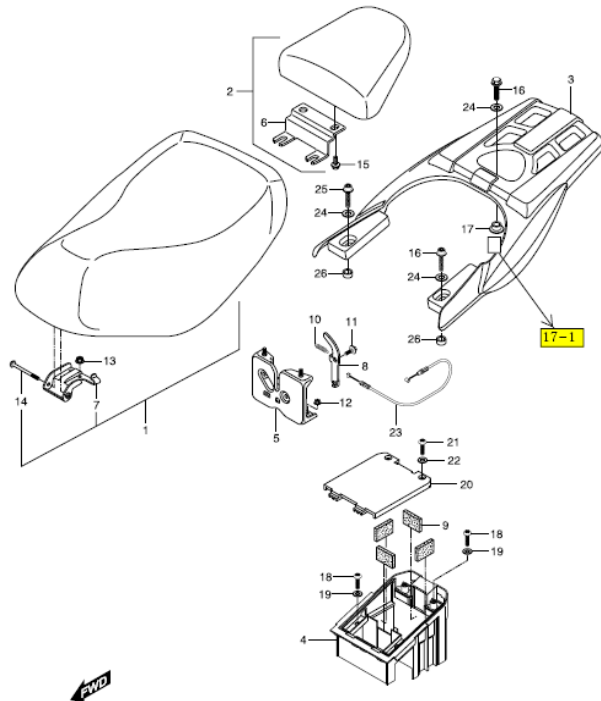


FIG 25. SIDE COVER

REF. NO.	RAT01	PARTS NAME	Q'TY
1	91311HG2604	BOX, helmet front	1
2	47211HG2603	SIDE COVER, L(CDB/PR/S3/MO)	1
3	47111HG2603	SIDE COVER, R(CDB/PR/S3/MO)	1
4	47311HG260026B	COVER, side center	1
5	92321HG260226B	COVER, helmet box inner	1
6	44668HG2600	GASKET, oil tank cap lower	1
7	09148-05020	NUT, side cover R/L(M5)	4
8	09343-05052	HOSE, helmet box drain(8.2-5 L580)	1
9	09401-08401	CLIP, helmet box drain hose	1
10	02152-05225	SCREW, side cover & rear combi(M5X2)	1
11	09169-05009	WASHER, side cover & rear combi	1
12	02142-06203	SCREW, side cover & leg shield rear(M6)	1
13	09169-06070	WASHER, side cover & leg shield rear	1
14	02142-06255	SCREW, side cover rear ctr front(M6X2)	1
15	09169H06077	WASHER, side cover rear ctr front	1
16	01517-06205	BOLT, helmet box & side cover fr ctr(M6)	1
17	01517-06168	BOLT, helmet box(M6X16)	2
18	09169-06034	WASHER, helmet box & side cover fr ct	1
19	09160-06006	WASHER, helmet box front	2
20	09148-06020	NUT, helmet box & side cover fr ctr(M6)	1
21	45700HG2630	LOCK ASS'Y, seat	1
22	45381HG2601	GUIDE, seat lock cable	1
23	92413HF4501	WASHER, side cover L	1
24	92414HF4500	LOCK, key set	1
25	01517-06168	BOLT, helmet box(M6X16)	2
30	68332HN3250PL	LABEL CAUTION NO2	1
31	69111HG2680	LABEL emission	1
32	68130HK27700NO	TAPE, Side Cover (RUSH) (DB,MO,PR,	2
33	09160-06006	WASHER, helmet box front	1

FIG 25

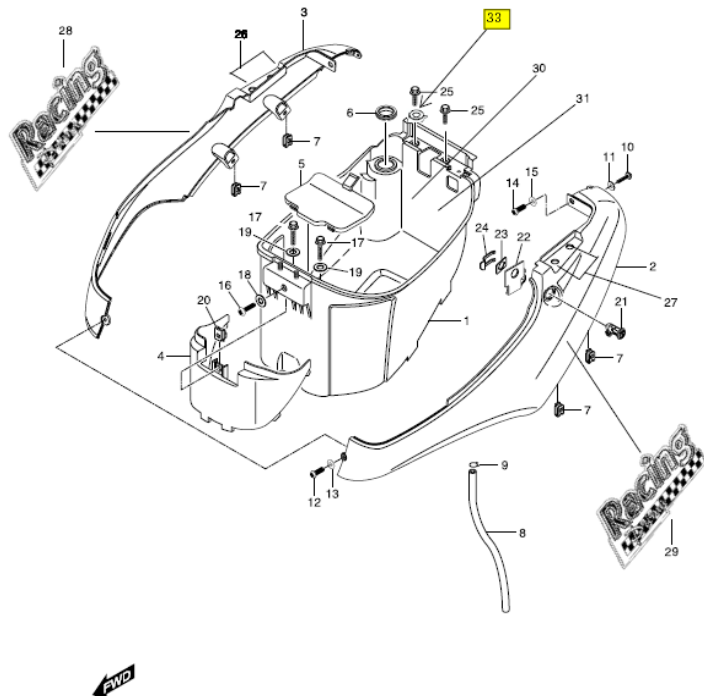


FIG 26. FRONT LEG SHIELD

REF. PARTS NAME Q'TY
NO. RAT01

1	48111HM3604	SHIELD, leg front,(color)	1
2	92111HK270226B	COVER, leg shield	1
3	48137HG2602	SHIELD, leg lower front (color)	1
4	48211HG260326B	SHIELD, leg front upper	1
5	35601HG2651	LAMP ASS'Y, front turnsignal R	1
6	09471-12045	BULB, front turnsignal (12V 10W)	2
7	03241-05165	SCREW, front turnsignal lamp(M5X16)	2
8	35602HG2651	LAMP ASS'Y, front turnsignal L	1
9	48150HN3200	GRILL COMP, leg shield front	1
10	09111H06E06	BOLT, leg shield cover & frame(M6X18)	2
11	03241-05165	SCREW, leg shield cover & lower fr(M5	4
12	03241-05165	SCREW, leg shield cover & front(M5X1	4
13	03241-05165	SCREW, leg shield front upper & front(A	5
14	09148-05020	NUT, leg shield lower fr & leg cover(M5	2
15	09148-06020	NUT, head lamp & leg shield front(M2)	2
16	03241-05255	SCREW, leg shield front & low front((M	4
17	08322-21055	WASHER, leg shield front & low front	4
18	03241-05165	SCREW, leg shield low front & cov leg(I	2
19	09148-05020	NUT, leg shield front & lower fr(M5)	4
20	09148-06020	NUT, leg shield low rear & front(M6)	2
21	02142-06165	SCREW, leg shield low front & frame(M	2
22	09169-06034	WASHER, leg shield low front & frame	2
23	02142-05165	SCREW, leg shield front brkt	4
24	08322-21056	WASHER, leg shield front brkt	4
25	08316-26055	NUT, leg shield front & brkt	4
28	68210HK27100MN	EMBLEM, leg shield front	1
29	68360HG5100PL	LABEL,SIDE STAND	1
30	68319HG2650	LABEL,CAUTION NO1	1
31	68120HK2770	TAPE, L/SHIELD FT	1

FIG 26

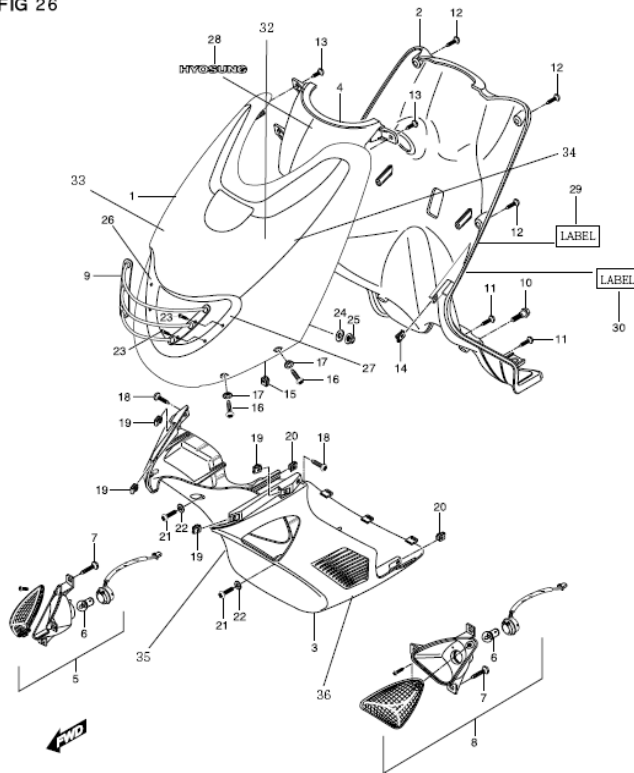


FIG 27. REAR LEG SHIELD

REF. PARTS NAME Q'TY
NO. RAT01

1	48121HK270226B	SHILED, leg rear	1
2	48147HK2704	SHILED, leg lower rear (color)	1
3	47151HK270026B	COVER, side front R	1
4	47251HK270026B	COVER, side front L	1
5	47131HK270026B	SIDE FRONT, center	1
6	43611HG2600	FOOTREST, pillion R	1
7	43621HG2600	FOOTREST, pillion L	1
8	47155HG2601	PLATE, side cov front & leg rear	2
9	09148-05020	NUT, leg shield rr& leg rr(M5)	2
10	03241-05125	SCREW, side cov fr plate & leg rr(M5X1)	2
11	02142-06125	SCREW, side cover front & plate(M5X1)	2
12	07110-06256	BOLT, pillion footrest(M6X25)	4
13	08322-21068	WASHER, pillion footrest	4
14	03241-05125	SCREW, side cov fr plate & leg rear(M5)	2
15	47141HK270126B	COVER, fuel tank	2
16	09111H06E06	BOLT, leg shield rear & frame(M6X18.5)	4
17	03241-05165	SCREW, leg shield low rr & leg rr(M5X)	4
18	02142-06255	SCREW, leg shield lower rear & front(M	2
19	09169-06034	WASHER, side cover front & plate	2
20	44200HF45000AS	LOCK ASS'Y, fuel tank	1
21	92413HF4501	WASHER, fuel tank cover	1
22	92414HF4500	LOCK, fuel tank key	1

FIG 27

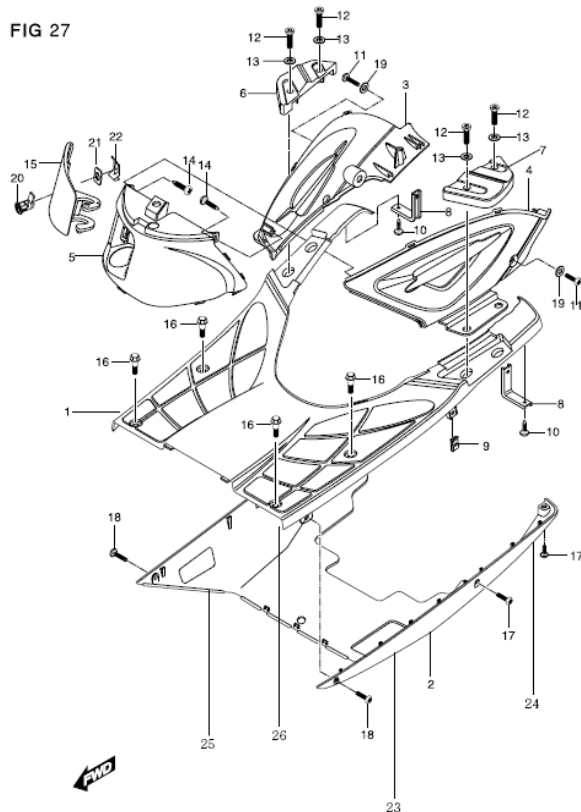


FIG 28. FRONT FORK

REF. NO.	RAT01	PARTS NAME	Q'TY
1	51210HK2700	BOTTOM CASE COMP,R	1
2	51220HK2700	BOTTOM CASE COMP,L	1
3	51111HG2600	FORK, pipe	2
4	51400HG2601	STEM, front fork steering	1
5	51400HG2601	UNDER BRACKET ASS'Y	1
6	51351H11A00	FORK BOLT	2
7	51181H11A00	O-RING, fork bolt	2
8	51171HK2700	SPRING	2
9	51196H11A00	PISTON RING	2
10	51177H11A00	REBOUND SPRING	2
11	51146H11A00	PIPE SEAT	2
12	36618-02100	COVER, steering stem lock	1
13	51632-02400	NUT, steering stem lock	1
14	09166-26001	WASHER, steering stem lock	1
15	51631-28000	NUT, steering stem	1
16	51643-25001	DUST SEAL, steering upper	1
17	51621-28000	RACE, steering outer upper	1
18	06111-06004	BALL, steering stee	47
19	51611-20002	RACE, steering inner upper	1
20	51612-04000	RACE, steering inner lower	1
21	01174-06168	BOLT, brake hose clamp	1
22	59268HG2600	CLAMP, brake hose	1
23	01174-06168	BOLT, speedometer cable guide	1
24	51418H11A00	GUIDE, speedometer cable	1
25	51148H11A00	PACKING	2
26	51147H11A00	SOCKET,bolt	2
27	51173H11A00	DUST BOOT	2
28	51156H11A00	STOPPER RING,oil seal	2
29	51153H11A00	OIL SEAL,front fork	2
30	51622-04000	RACE, steering outer lower	1
31	07110-08258	BOLT, fork clip	2
31-1	08321-31086	LOCK WASHER, fork	2
32	51210HK2700	FRONT FORK COMP,R	1
33	51220HK2700	FRONT FORK COMP,L	1

FIG 28

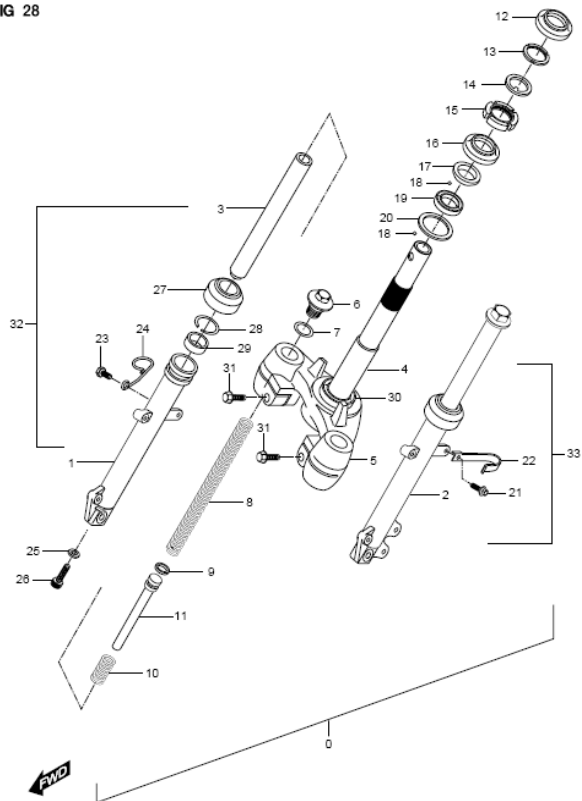


FIG 29. FRONT FENDER

REF. NO.	PARTS NAME	Q'TY
RAT01		
1	53111HG2602 FRONT, fender (color)	1
2	35950HG2601 REFLEX REFLECTOR ASS'Y, side	2
3	01104-06205 BOLT, front fender	4
4	09169-06034 WASHER, front fender	4
5	08316-26055 NUT, rear reflex reflector	2

FIG 29

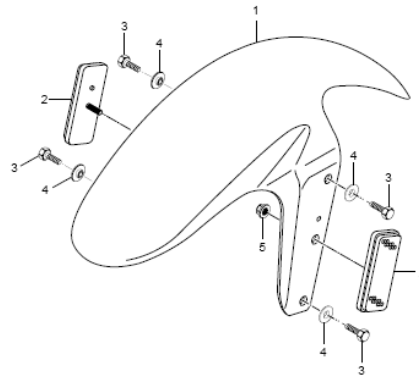


FIG 30. FRONT WHEEL

REF. NO.	PARTS NAME	Q'TY
RAT01		
0-1	54140HG2601HPA WHEEL COMP, front	1
1	54141HG2601 WHEEL COMP, front 2.75x10	1
2	08123-62007 BEARING, front wheel(6200)	2
3	54730HG2600 SPACER COMP, front wheel	1
4	54711HE7100 AXLE, front	1
5	09285-16002 DUST SEAL, front hub bearing L	1
6	54741-29C00 SPACER, front axle L	1
7	08319-31108 NUT, front axle(M10)	1
8	54600HG2600 BOX ASS'Y, speedometer gear	1
9	59211-29C10 DISC, front brake	1
10	59421-03A01 BOLT, front brake disc(M8x20)	3
11	55109HG2601 TIRE SET, front 120/90-10 47J	1
12	55220-29C20 VALVE ASS'Y, wheel rim	1

FIG 30

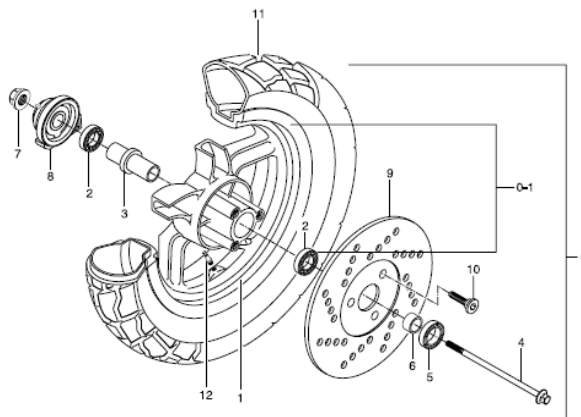


FIG 31. HANDLE BAR

REF. NO.	RAT01	PARTS NAME	Q'TY
1	56100HG2602	BAR COMP, handel	1
2	56500HG2604	MIRROR ASS'Y, rear view R	1
3	56600HG2604	MIRROR ASS'Y, rear view L	1
4	58300HK2700	CABLE ASS'Y, throttle	1
5	58510HK2701	CABLE COMP, rear brake	1
6	09403-09301	GUIDE, rear brake cable	1
7	01134-06128	BOLT, cable guide	1
8	58591H11A00	PLATE, rear brake cable	1
9	01134-06208	BOLT, rear brake cable plate	1
10	09103-10055	BOLT, handlebar clamp	1
11	08319-31108	NUT, handlebar clamp	1
12	56123-29C00	BOLT, handlebar	1
13	03241-05165	SCREW, handlebar & handle cover RR	3
14	09440H06013	SPRING	1
15	09209H11005	LEVER PIN	1
16	09150-01501	ADJUST NUT, rear brake	1

FIG 31

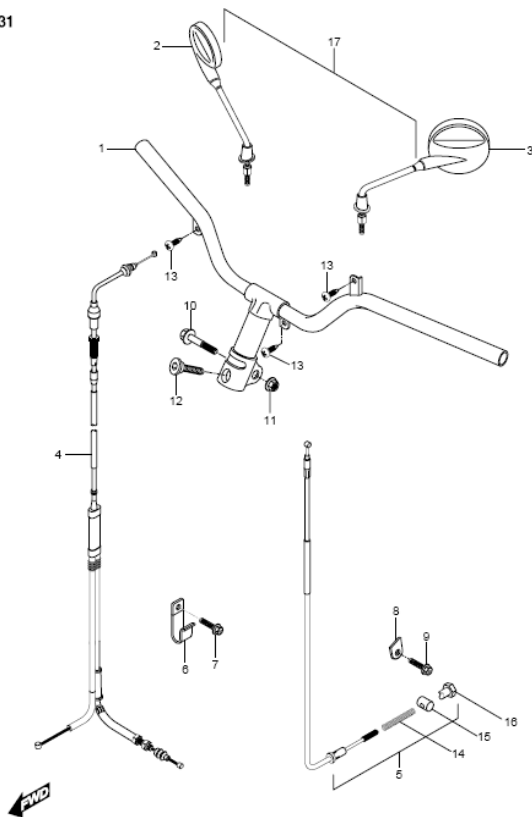


FIG 32. HANDLE COVER

REF. NO.	RAT01	PARTS NAME	Q'TY
1	56311HG2602	COVER, handle front (color)	1
2	56321HG2600	COVER, handle rear (color)	1
3	37240HE6150	SWITCH ASS'Y, lighting	1
4	37220HE6100	SWITCH ASS'Y, start	1
5	37410HF4530	SWITCH ASS'Y, turn signal	1
6	37420HE6100	SWITCH ASS'Y, horn	1
7	37430HE6100	CAP, handle cover rear	1
8	03241-05165	SCREW, handle cover rear & front	2

FIG 32

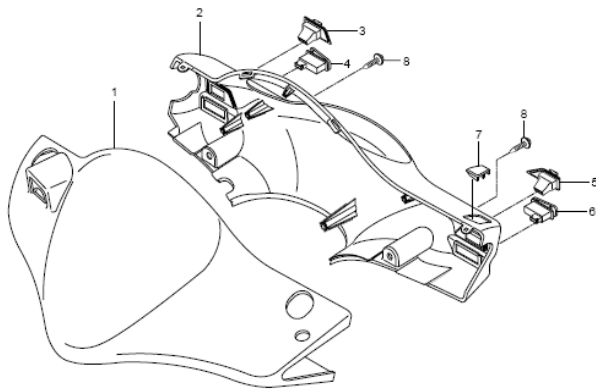


FIG 33. HANDLE SWITCH

REF. NO.	RAT01	PARTS NAME	Q'TY
1	57110HE7101	GRIP COMP, throttle	1
2	57100-29C00	CASE ASS'Y, throttle case	1
3	02112-05028	SCREW, throttle case	1
4	57211HE7101	GRIP, L	1
5	57500HG2602	BRAKE LEVER REAR & SWITCH	1
6	57421-03A11	LEVER, rear break	1
7	57431-13010	SCREW (M5×25)	1
8	02112-06205	SCREW (M6×20)	1
9	08319-21065	NUT (M5)	1
10	57460-17C00	SWITCH, rear break stop	1
11	09136-05040	SCREW, throttle case(M5×16)	1

FIG 33

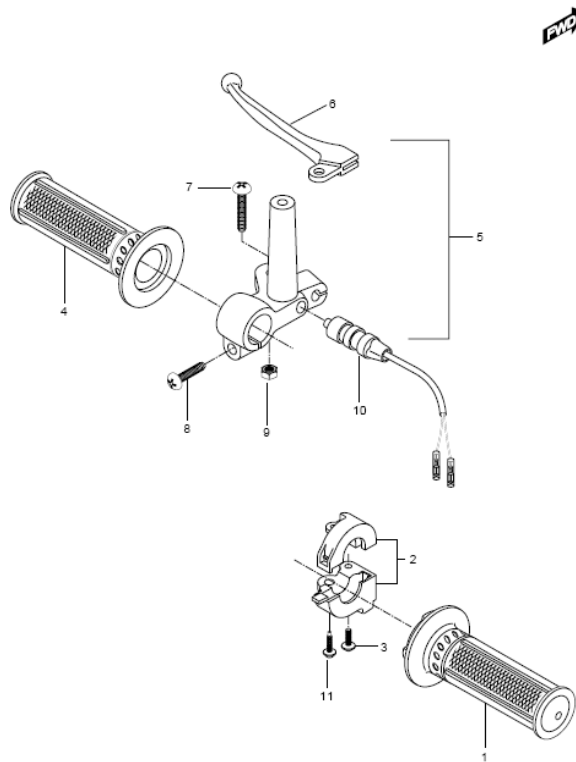


FIG 34. CALIPER

REF. NO.	PARTS NAME	Q'TY
RAT01		
1	59300-03A3090U CALIPER ASS'Y	1
2	07120-08208 BOLT, caliper(M8×20)	2
3	59170-03A00 SEAL	1
4	59308-03A00 BOOT	1
5	59300-03860 PAD SET	1
6	59315-36500 SPRING	1
7	59313-36A00 CARRIER, L	1
8	59312-36500 BOOT	1
9	59313-36500 INSULATOR	1
10	59121-18410 BLEEDER	1
11	59122H18420 CAP	1
12	59300-03810 PISTON SET	1
13	59360-03A31 HOUSING, caliper	1

FIG 34

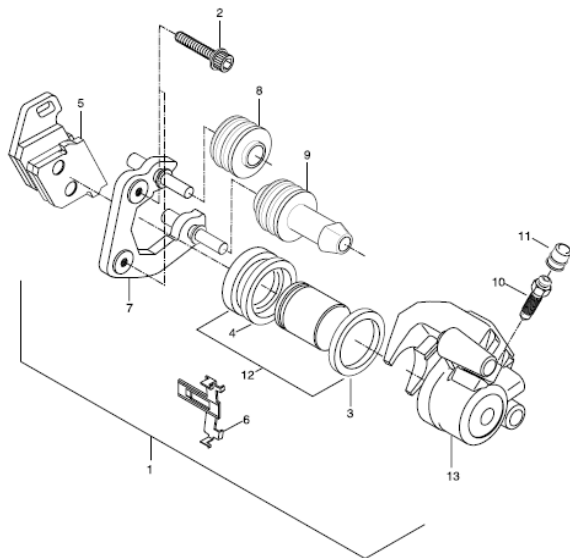


FIG 35. MASTER CYLINDER

REF. NO.	RAT01	PARTS NAME	Q'TY
1	59600HG2601	CYLINDER SET, front master	1
2	57421HG2601	LEVER, brake	1
3	57431-13010	SCREW, brake lever pivot	1
4	08319-21065	NUT, brake lever pivot(M6)	1
5	57460-17C00	SWITCH ASS'Y, stop	1
6	02112-74108	SCREW, stop switch(M4×10)	1
7	09161-10005	WASHER, brake fluid	4
8	09360-10039	BOLT, brake fluid(M10×39)	2
9	59480HG2602	HOSE COMP, front brake	1
10	59691-35C00	SCREW	2
11	08322-21064	WASHER	1
12	09360-10039	BOLT	1
13	59671-35C00	HOLDER	1

FIG 35

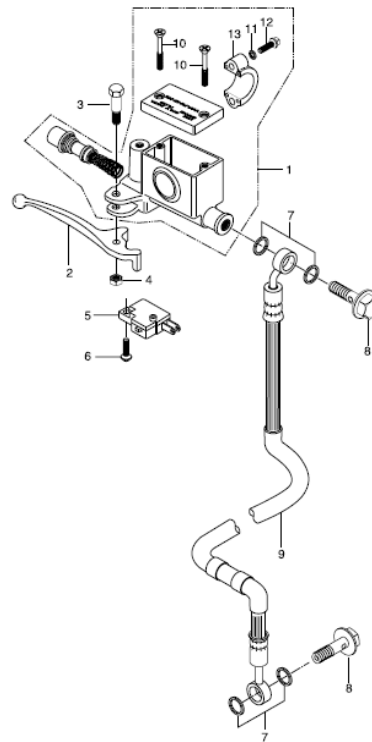


FIG 36. REAR FENDER

REF. PARTS NAME Q'TY
NO. RAT01

1	47161HG260726B	COVER, side lower	1
2	63111HG260526B	REAR FENDER, rear upper	1
3	63112HG260126B	REAR FENDER, rear lower	1
4	01517-06165	BOLT, rr fen rr up & side cov lower(M6)	4
5	09169H06077	WASHER, rr fen rr up & side cov lower	2
6	09136-06017	SCREW, rear fen rear upper & lower(M6)	3
7	08316-16068	NUT, rear fender rear upper & lower(M6)	3
8	35970-24D63	REFLEX REFLECTOR ASS'Y, rear	1
9	35971HF1600	CUSHION, reflex reflector	1
10	09160-060H1	WASHER, license lamp	1
11	08316-26055	NUT, rear reflex reflector(M5)	1
12	03241-05255	SCREW, side cover lower & side cover(l)	4
13	09169-05009	WASHER, side cover lower & side cover	4
14	09148-05039	NUT, side cover lower(M5)	1
15	62100HG2602	ABSORBER ASS'Y, rear shock	1
16	09103-10019	BOLT, rear shock absorber(M10X40)	2
17	09169-06034	WASHER, rr fender rr up & side cov low	2
18	02142-05305	SCREW, side cover lower & frame(M5X)	2
19	09169-05009	WASHER, side cover lower & frame	2
20	35927HG2651	BKT,LICENSE PLT	1

FIG 36

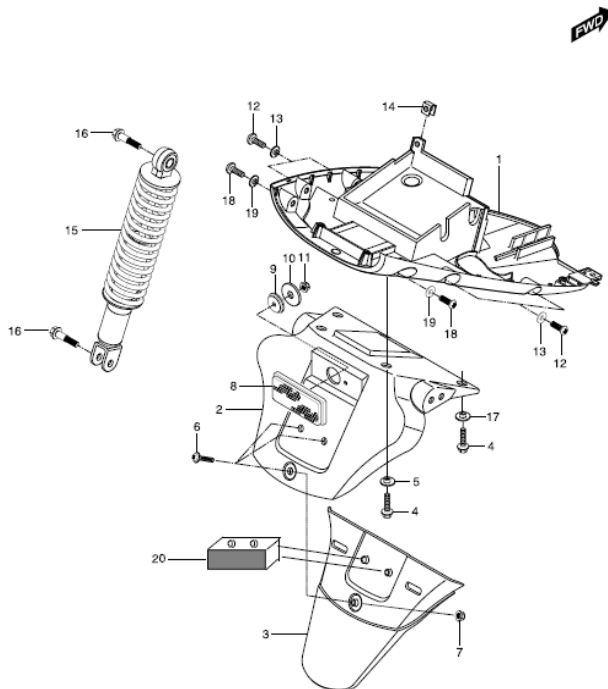


FIG 37. REAR WHEEL

REF. NO.	RAT01	PARTS NAME	Q'TY
1	64140HG2601	WHEEL COMP, rear 3.00x12	1
2	65109HG2601	TIRE SET, rear 120/70-12 51J	1
3	64400HG2600	SHOE COMP, brake	2
4	09443H08025	SPRING, brake shoe	2
5	64441H11201	CAM, rear brake	1
6	64451-02111	LEVER, rear brake cam	1
7	12812-30A00	BOLT, rear cam lever	1
8	08316-16068	NUT, rear brake cam lever	1
9	09160-16025	WASHER, rear axle	1
10	08319-21168	NUT, rear axle	1
11	55220-29C20	VALVE ASS'Y, wheel rim	1
12	63115HG260626B	REAR FENDER, front	1
13	09169-06034	WASHER, rear fender front	4
14	02142-06165	SCREW, rear fender front	4
15	64140SG2600HPA	WHEEL + TIRE SET, rear	1
16	63117HP5300	HEAT SHIELD RR FEN FT	1
17	63118HP5300	HEAT SHIELD RR FEN FT OUTER	2

KM4CA14C851116310~

FIG 37

