



 **HYOSUNG**
MOTORS & MACHINERY INC.

REFERENCE

1.The detailed specifications of each model are referred by the persons who are in charge of overseas marketing team, Hyosung.

2.Special demand

When you order any colored parts, please add color code to the end of parts number and it will be helpful to register your parts order.

※ Color code

CLG : LIGHT GRAY

CTR : TWINKLE RED

HYOSUNG

FIG 1. CYLINDER

| REF. NO. | RAT01 | PARTS NAME | Q'TY |
|----------|----------------|-------------------------|------|
| 1 | 11111-41D00 | HEAD, cylinder | 1 |
| 2 | 11141-04C00 | GASKET, cylinder head | 1 |
| 3 | 08316-16088 | NUT, cylinder head (M6) | 4 |
| 4 | 09482-01255 | SPARK PLUG (B8HS) | 1 |
| 5 | 11210HP5300PCY | CYLINDER, comp | 1 |
| 6 | 11241HE7102 | GASKET, cylinder | 1 |
| 7 | 09108-08056 | STUD BOLT, cylinder | 2 |
| 8 | 09108-08216 | STUD BOLT, cylinder | 2 |

FIG. 1

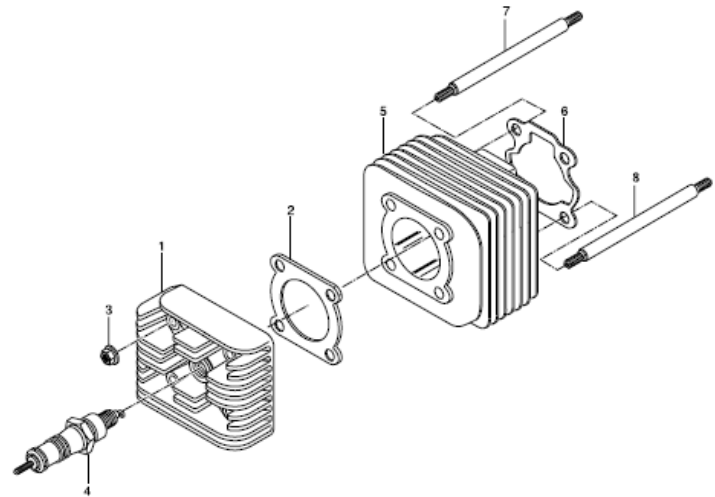


FIG 2. CRANK CASE

| REF. NO. | RAT01 | PARTS NAME | Q'TY |
|----------|----------------|----------------------------|------|
| 1 | 11311HP5302HPA | CRANKCASE, R | 1 |
| 2 | 09319-12036 | BUSH, engine mounting | 2 |
| 3 | 04213-11169 | KNOCK PIN, crankcase | 2 |
| 4 | 11321HP5304HPA | CRANKCASE, L | 1 |
| 5 | 09319-10032 | BUSH, rear shock absorber | 1 |
| 6 | 09404-06401 | CLAMP, intake pipe | 1 |
| 7 | 02112-06508 | SCREW, crank case | 4 |
| 8 | 02112-06758 | SCREW, crank case | 1 |
| 8-1 | 02112-06858 | SCREW, crank case | 1 |
| 9 | 11431HP5303PCR | COVER,gear box | 1 |
| 10 | 09250H11005 | PLUT,oil filler | 1 |
| 11 | 64231-07903 | PIN,rear brake anchor | 1 |
| 12 | 01514-08128 | BOLT, oil level | 1 |
| 13 | 09168-08008 | GASKET,oil level bolt | 1 |
| 14 | 01547-06358 | BOLT, gear box cover | 1 |
| 14-1 | 01547-06258 | BOLT, gear box cover | 7 |
| 15 | 04213-11149 | KNOCK PIN, gear box cover | 2 |
| 16 | 09168-06004 | GASKET, oil drain bolt | 1 |
| 17 | 01517-06125 | PLUG, oil drain | 1 |
| 18 | 11484HP5302 | GASKET, gear box cover | 1 |
| 19 | 13111HP5305 | PIPE SET, intake | 1 |
| 20 | 13125HP5301 | GASKET intake pipe | 1 |
| 21 | 13150HE7100 | VALVE ASS'Y, reed | 1 |
| 22 | 13126HE7102 | GASKET, reed valve | 1 |
| 23 | 02112-36206 | SCREW, intake pipe | 2 |
| 23-1 | 02112-36256 | SCREW, intake pipe front L | 2 |
| 24 | 09128-06026 | SCREW, carburetor | 1 |
| 24-1 | 01547-06508 | BOLT, carburetor | 1 |
| 25 | 08319-31126 | NUT, engine mount | 1 |
| 26 | 54711-13700 | BOLT, engine mount | 1 |

FIG. 2

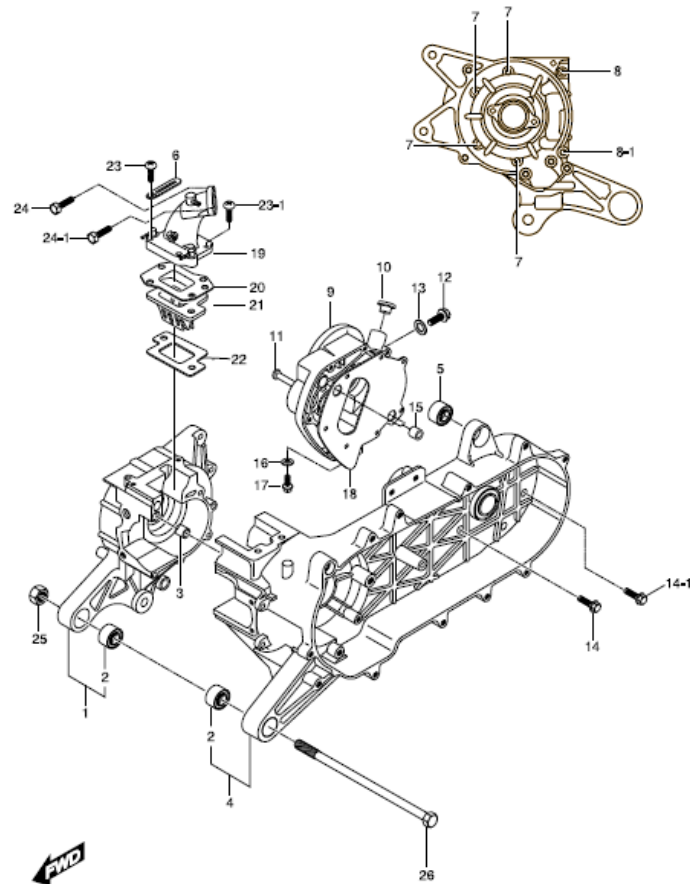


FIG 3. CLUTCH COVER

| REF. NO. | RAT01 | PARTS NAME | Q'TY |
|-------------|----------------|--------------------------------|------|
| 1 | 11341HP530103P | COVER, clutch | 1 |
| 2 | 11482HG2601 | GASKET, clutch cover | 1 |
| 3 | 04213-11149 | KNOCK PIN, clutch cover | 2 |
| 4 | 01547-06258 | BOLT, clutch cover | 6 |
| 5 | 01547-06358 | BOLT, clutch cover | 1 |
| 6 | 01547-06458 | BOLT, clutch cover | 1 |
| 7 | 17200HP5300 | CASE ASS'Y, crank case cleaner | 1 |
| 8 | 01517-06165 | BOLT, crank case cleaner | 2 |

FIG. 3

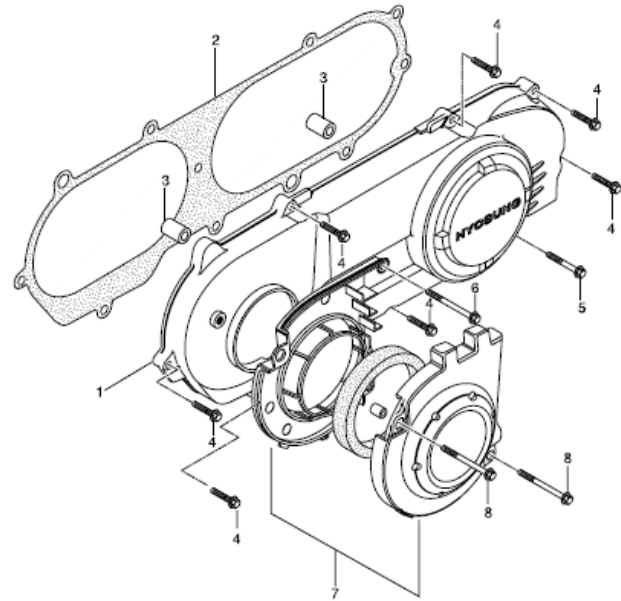


FIG 4. CRANK SHAFT

| REF. NO. | RAT01 | PARTS NAME | Q'TY |
|----------|----------------|------------------------------|------|
| 1 | 12111HP5300 | PISTON COMP | 1 |
| 2 | 12141-35510 | RING, piston 1st | 1 |
| 3 | 12142HE7100 | RING, piston 2nd | 1 |
| 4 | 12149HE7100 | RING, piston expander | 1 |
| 5 | 12151-35500 | PIN, piston | 1 |
| 6 | 09381-12001 | CIRCLIP, piston pin | 2 |
| 7 | 12200SP5300HPA | SHAFT ASS'Y, crank | 1 |
| 8 | 12161HE7100 | ROD, connecting | 1 |
| 9 | 12211HE7100 | PIN, crank | 1 |
| 10 | 12221-41D00CSA | CRANKSHAFT, R | 1 |
| 11 | 12261H41D01CSA | CRANKSHAFT, L | 1 |
| 12 | 09263H20002 | BEARING, crank pin | 1 |
| 13 | 09262H250A2 | BEARING, crankshaft | 1 |
| 14 | 09262H250A2 | BEARING, crankshaft | 1 |
| 15 | 09283-25083 | OIL SEAL, crankshaft R No. 1 | 1 |
| 16 | 09283-17017 | OIL SEAL, crankshaft R No. 2 | 1 |
| 17 | 09283-25083 | OIL SEAL, crankshaft L | 1 |
| 18 | 09160-20010 | THRUST WASHER, connecting 1 | 2 |
| 19 | 12622-04C00 | GEAR COMP, starter driven | 1 |
| 20 | 09180-18011 | SPACER, crankshaft oil seal | 1 |
| 21 | 09263H12004 | BEARING, piston pin | 1 |

FIG. 4

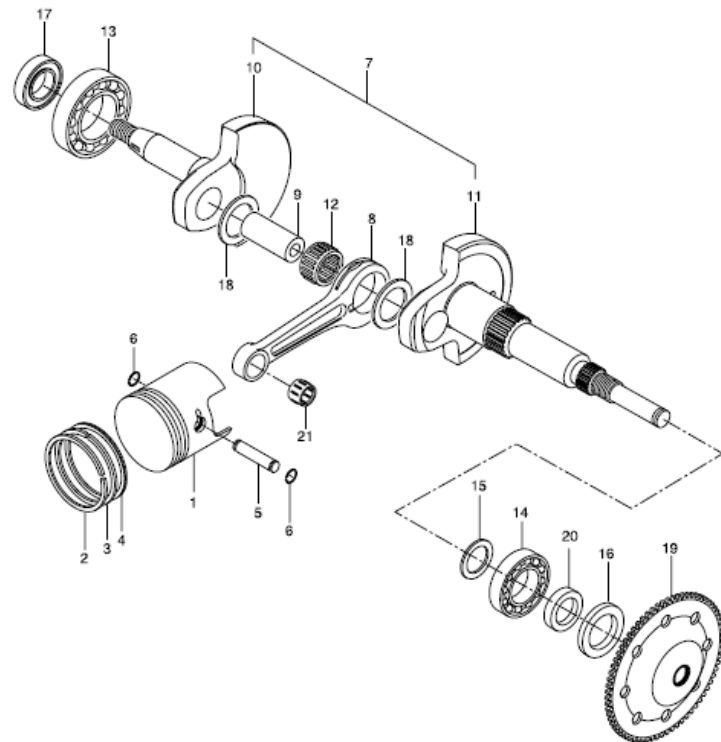


FIG 5. CARBURETOR

| REF. NO. | RAT01 | PARTS NAME | Q'TY |
|----------|----------------|------------------------|------|
| 1 | 13200HP5301HAS | CARBURETOR ASS'Y | 1 |
| 2 | 13681HE7100 | CAP,carburetor top | 1 |
| 3 | 13261HE7100 | COVER, top | 1 |
| 4 | 13249HE7100 | GASKET, top cover | 1 |
| 5 | 13573HE7100 | SPRING, throttle valve | 1 |
| 6 | 13581HE7100 | CLIP | 1 |
| 7 | 13533HE7100 | E-RING, throttle valve | 1 |
| 8 | 13383HE7100 | NEEDLE,jet | 1 |
| 9 | 13551HE7100 | VALVE, throttle | 1 |
| 10 | 13601HE7100 | SCREW | 2 |
| 11 | 13610HE7100 | RETAINER | 1 |
| 12 | 13267HE7100 | SCREW, throttle stop | 1 |
| 13 | 13266HE7100 | WASHER | 1 |
| 14 | 13265HE7100 | SPRING | 1 |
| 15 | 13269HE7100 | SCREW, pilot air | 1 |
| 16 | 13268HE7100 | SPRING | 1 |
| 17 | 13606HE7100 | WASHER | 1 |
| 18 | 13295HE7100 | O-RING | 1 |
| 19 | 09494HE7100 | JET, needle | 1 |
| 20 | 09492HE7100 | JET, pilot | 1 |
| 21 | 09491HE7100 | JET, main | 1 |
| 22 | 13370HE7100 | VALVE ,needle | 1 |
| 23 | 13250HE7100 | FLOAT | 1 |
| 24 | 13254HE7100 | PIN, float | 1 |
| 25 | 13258HE7100 | GASKET | 1 |
| 26 | 13245HE7100 | BODY, float | 1 |
| 27 | 13278HE7100 | O-RING, drain screw | 1 |
| 28 | 13247HE7100 | SCREW, drain | 1 |
| 29 | 08321HE7100 | WASHER | 2 |
| 30 | 02112-04148 | SCREW | 2 |

FIG. 5

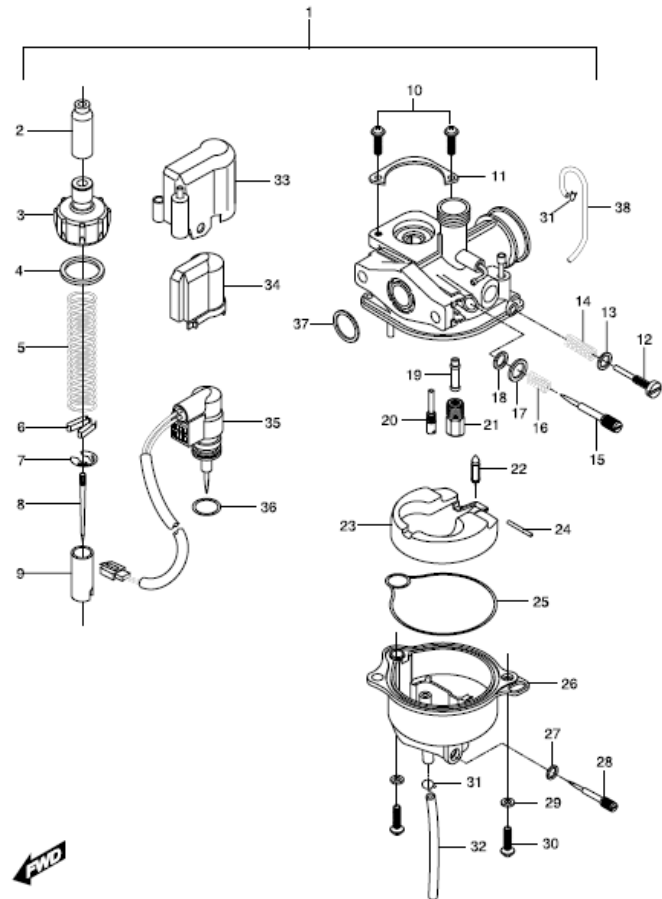


FIG 5. CARBURETOR

| REF. NO. | RAT01 | PARTS NAME | Q`TY |
|----------|-------|------------|------|
|----------|-------|------------|------|

| | | | |
|----|-------------|-----------------------|---|
| 31 | 09401-08401 | CLIP | 2 |
| 32 | 13683HE7100 | HOSE | 1 |
| 33 | 13630HE7100 | CAP, holder outer | 1 |
| 34 | 13640HE7100 | CAP, holder inner | 1 |
| 35 | 13430HE7100 | ELEMENT ASS'Y, thermo | 1 |
| 36 | 13650HE7100 | O-RING, element | 1 |
| 37 | 13277HE7100 | O-RING | 1 |
| 38 | 13684HE7100 | HOSE, air vent | 1 |

FIG. 5

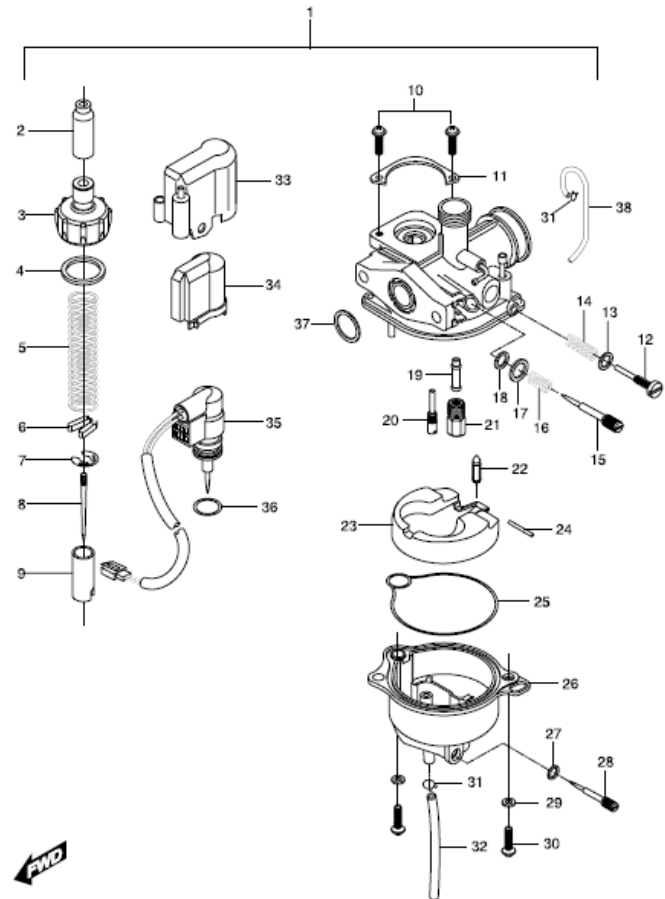


FIG 6. AIR CLEANER

| REF. NO. | RAT01 | PARTS NAME | Q'TY |
|-------------|-------------|-------------------------|------|
| 1 | 13700HP5303 | CLEANER ASS'Y, air | 1 |
| 2 | 13720HG2603 | CASE COMP, air cleaner | 1 |
| 3 | 13751HG2601 | TRAP, air cleaner | 1 |
| 4 | 13781HG2601 | FILTER, air cleaner | 1 |
| 5 | 13740HG2603 | CAP COMP, air cleaner | 1 |
| 6 | 13881HP5300 | TUBE, outlet | 1 |
| 7 | 09402-42306 | CLAMP, outlet cleaner | 1 |
| 8 | 03151-06258 | SCREW, air cleaner cap | 1 |
| 9 | 09169H06048 | WASHER, air cleaner cap | 1 |
| 10 | 02142-05165 | SCREW, air cleaner cap | 7 |
| 11 | 01547-06303 | BOLT, air cleaner | 2 |
| 12 | 13725HF4500 | COLLAR, air cleaner | 2 |
| 13 | 09180-06141 | SPACE | 2 |

FIG. 6

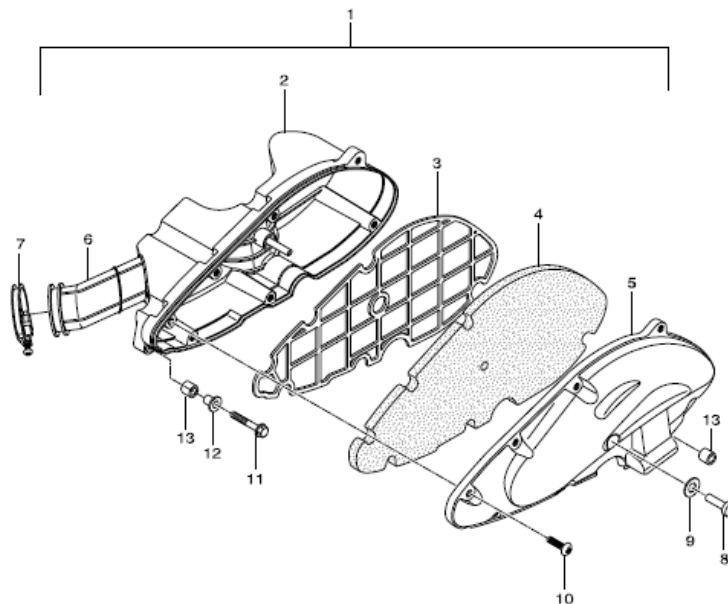


FIG 7. MUFFLER

| REF. NO. | RAT01 | PARTS NAME | Q'TY |
|----------|----------------|----------------------------------|------|
| 1 | 14310HP5306PAM | BODY COMP, muffler | 1 |
| 2 | 14150HP5304PAM | PIPE, exhaust pipe | 1 |
| 3 | 14182HN3201 | GASKET, exhaust connector flange | 1 |
| 4 | 01107-06168 | BOLT, exhaust connector flange | 3 |
| 5 | 08313-11068 | NUT, exhaust connector flange | 3 |
| 6 | 14781HG2601PLA | COVER COMP, muffler | 1 |
| 7 | 02112-36108 | SCREW, muffler cover | 3 |
| 8 | 14181-41D00 | GASKET, exhaust pipe | 1 |
| 9 | 09139H06021 | BOLT, exhaust pipe | 2 |
| 10 | 01177-08268 | BOLT, support bracket | 2 |

FIG. 7

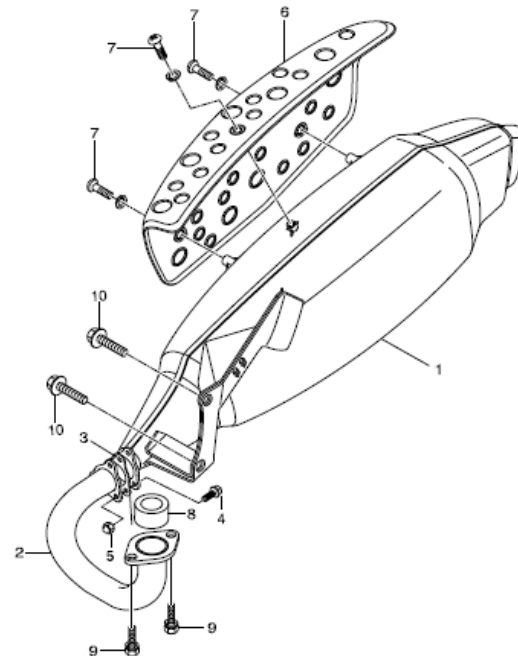


FIG 8. OIL PUMP

| REF. NO. | RAT01 | PARTS NAME | Q'TY |
|----------|-----------------|----------------------------------|------|
| 1 | 16000-41D06 | PUMP ASS'Y, oil | 1 |
| 2 | 09280H20002 | O-RING, oil pump | 1 |
| 3 | 02112-35168 | SCREW, oil pump NO2 | 1 |
| 4 | 02112-06106 | SCREW, oil pump cable adjuster l | 2 |
| 5 | 16331-37B00 | GEAR, oil pump driven | 1 |
| 6 | 16630-41D02 | BRACKET COMP, oil pump cabl | 1 |
| 7 | 16821HP5300 | HOSE, oil No.1 | 2 |
| 8 | 09401-10401 | CLIP, oil hose No1 | 1 |
| 9 | 16630-41D02 | BRACKET COMP, oil pump cabl | 1 |
| 10 | 11411-41D01 | COVER, oil pump | 1 |
| 11 | 09352-20503-060 | HOSE, oil (L=060) | 1 |
| 12 | 09125-05005 | SCREW, oil pump cover | 1 |
| 13 | 02142-05308 | SCREW, oil pump No.1 | 1 |
| 14 | 09404-06404 | CLAMP, oil hose No.1 | 1 |
| 15 | 09367-03001 | JOINT, hose oil No.2 | 1 |
| 16 | 09352-20503-055 | HOSE, oil(L=55) | 1 |
| 17 | 09401-04401 | CLIP, oil hose No.2 | 5 |
| 18 | 09352-20503-060 | HOSE, oil(L=60) | 1 |
| 19 | 09352-20503-040 | HOSE, oil(L=40) | 1 |
| 20 | 09180-05025 | SPACER | 1 |

FIG. 8

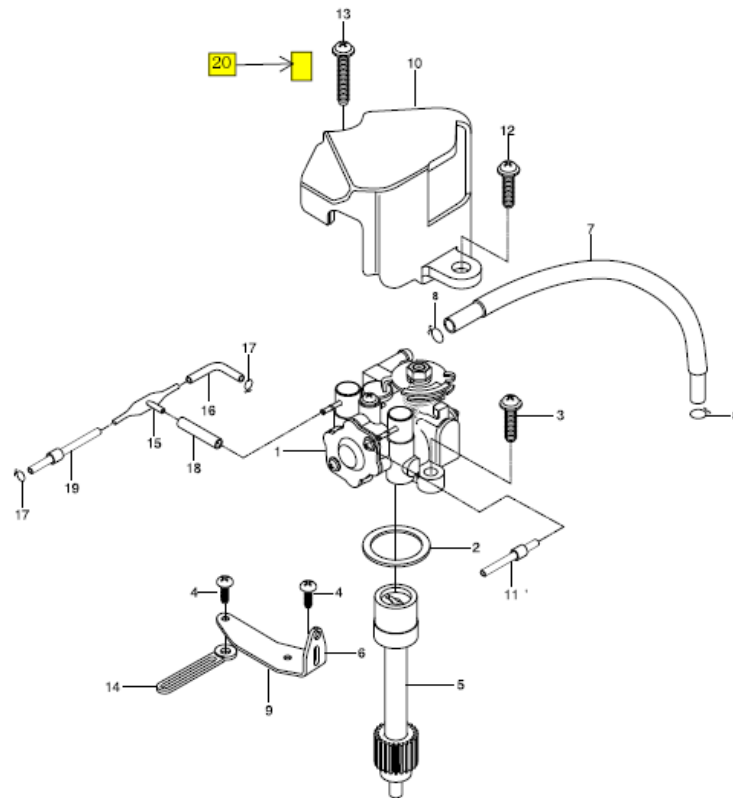


FIG 9. COOLING FAN

| REF. NO. | RAT01 | PARTS NAME | Q'TY |
|-------------|-------------|---------------------------|------|
| 1 | 17110-04C00 | FAN COMP, cooling | 1 |
| 2 | 02112-96168 | SCREW, cooling fan | 2 |
| 3 | 17131-41D20 | COWLING, fan | 1 |
| 4 | 02152-06128 | SCREW, cylinder cowling | 1 |
| 5 | 02152-06258 | SCREW, cylinder cowling | 1 |
| 6 | 03141-06305 | SCREW, fan cowling | 1 |
| 7 | 02152-06128 | SCREW, fan case No.1 | 4 |
| 8 | 17120-41D00 | COWLING COMP, cylinder | 1 |
| 9 | 17140H41D01 | CASE COMP, fan | 1 |
| 10 | 03151-06208 | CUSHION, cylinder cowling | 4 |
| 11 | 17122-41D00 | CUSHION, cylinder cowling | 1 |
| 12 | 17146HF1601 | SPACER | 1 |

FIG. 9

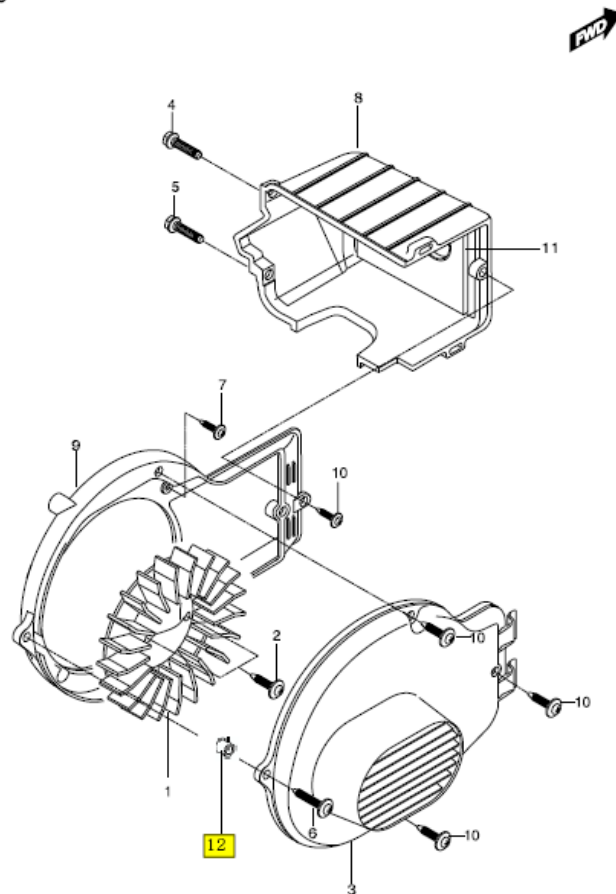


FIG 10. TRANSMISSION[1]

-1

| REF. NO. | RAT01 | PARTS NAME | Q'TY |
|----------|----------------|----------------------------------|------|
| 1 | 27601HP5300 | V-BELT, drive | 1 |
| 2 | 21110HE7102 | FACE COMP, fixed drive | 1 |
| 3 | 21120HP5300HPA | FACE ASS'Y, movable drive | 1 |
| 3-1 | 21120HP5301 | FACE COMP, movable drive | 1 |
| 4 | 21431HE7100 | PLATE, movable drive | 1 |
| 5 | 21481HE7100 | DAMPER, movable drive face pla | 3 |
| 6 | 21650HP5301HPA | ROLLER COMP, movable drive f | 6 |
| 6-1 | 09284-22003 | O/SEAL MOV DRVN | 1 |
| 7 | 26283-41D02 | HOLDER, kick starter driven gear | 1 |
| 8 | 02112-74108 | SCREW, kick driven gear spring l | 3 |
| 9 | 09180H16012 | SPACER, movable drive | 1 |
| 10 | 26284-41D00 | WASHER, kick starter driven spri | 1 |
| 11 | 26280-41D01 | GEAR COMP, kick starter driven | 1 |
| 12 | 26282-41D00 | NUT, kick starter driven | 1 |
| 13 | 09440-33003 | SPRING, kick starter driven | 1 |

FIG. 10

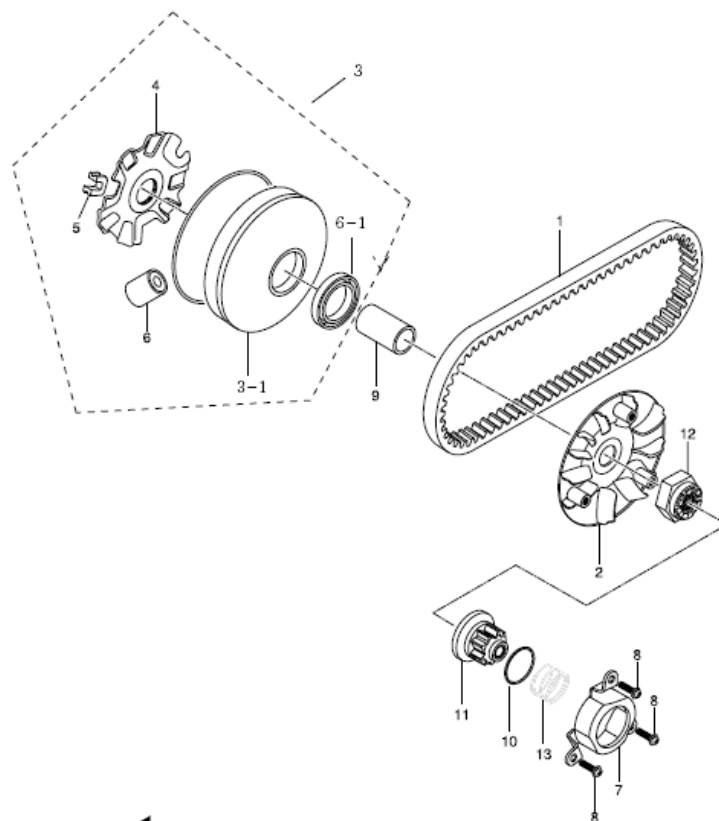


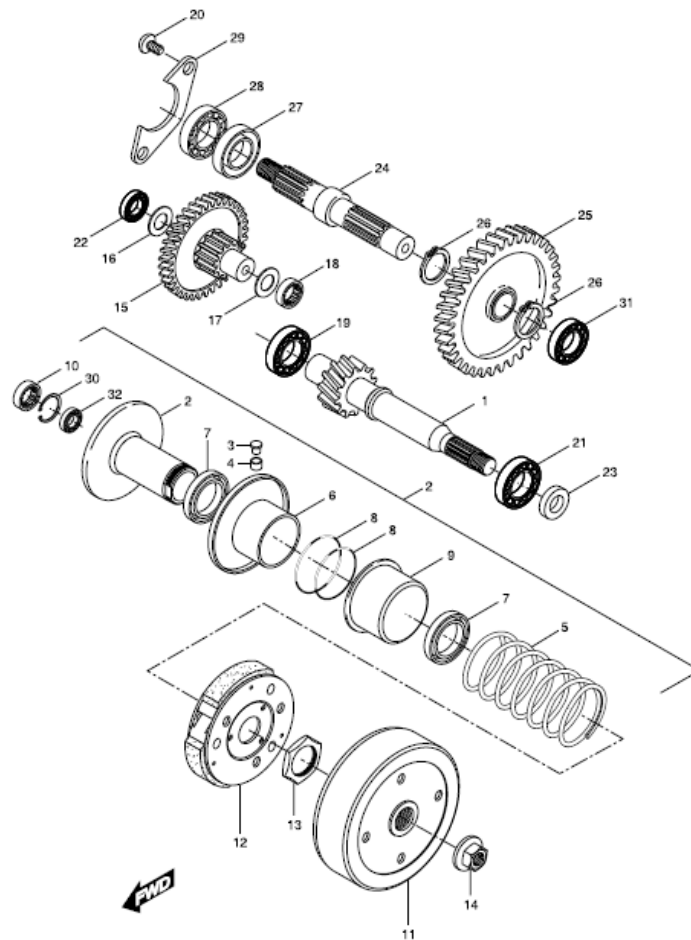
FIG 11. TRANSMISSION[2]

-1

REF. PARTS NAME Q`TY
NO. RAT01

| | | | |
|----|----------------|---------------------------------|---|
| 1 | 24131HP5301 | SHAFT, drive | 1 |
| 2 | 21091HN4900 | FACE COMP, fixed driven | 1 |
| 3 | 09201-05006 | PIN, movable driven | 3 |
| 4 | 09180-05042 | SPACER, movale driven pin | 3 |
| 5 | 09440H52003 | SPRING | 1 |
| 6 | 21240HN4900 | FACE COMP, movable driven | 1 |
| 7 | 09284-34002 | OIL SEAL, movable driven (34x3 | 2 |
| 8 | 09280-41005 | O-RING, movable driven (39.x1.6 | 2 |
| 9 | 21471-03A03 | SHEET, movable driven face | 1 |
| 10 | 09263H17001 | BEARING, fixed driven R (17x25 | 1 |
| 11 | 21220HN4901 | HOUSIGN COMP, clutch | 1 |
| 12 | 21501HP5300 | CLUTCH ASS'Y, shoe (NA) | 1 |
| 13 | 09140H28004 | NUT | 1 |
| 14 | 08316-26108 | NUT | 1 |
| 15 | 24150SP5300HPA | SHAFT COMP, idle | 1 |
| 16 | 08211-12201 | WASHER, idle shaft R | 1 |
| 17 | 08211-16301 | WASHER, idle shaft L | 1 |
| 18 | 08113-62010 | BEARING (12x32x10)I/S R | 1 |
| 19 | 09262-15017 | BEARING (15x35x11)D/S R | 1 |
| 20 | 02122-06168 | SCREW, retainer | 2 |
| 21 | 09262H17001 | BEARING (17x47x14)D/S L | 1 |
| 22 | 09263H16002 | BEARING (12x24x6)I/S L | 1 |
| 23 | 09283H17002 | OIL SEAL (17x27x5) | 1 |
| 24 | 24141-41D00 | SHAFT, rear axle | 1 |
| 25 | 24371-41D00 | GEAR, final | 1 |
| 26 | 08331-31229 | CIRCLIP | 2 |
| 27 | 09283-27010 | OIL SEAL(27x40x7) | 1 |
| 28 | 08130-62047 | BEARING(20x47x14)A/S R | 1 |
| 29 | 24751H07900 | RETAINER | 1 |
| 30 | 08331-41249 | CIRCLIP | 1 |
| 31 | 08110-62030 | BEAREING(17x40x12)A/S L | 1 |
| 32 | 08120H69017 | BEAREING, fixed driven L | 1 |

FIG. 11



-1

FIG 12. KICK STARTER

| REF. NO. | RAT01 | PARTS NAME | Q`TY |
|----------|-------------|---------------------------|------|
| 1 | 26210HE7102 | SHAFT COMP, kick starter | 1 |
| 2 | 09300H14002 | BUSH, kick starter shaft | 1 |
| 3 | 09448H30019 | SPRING | 1 |
| 4 | 26300H11200 | LEVER ASS'Y, kick starter | 1 |
| 5 | 01107-06208 | BOLT, kick starter lever | 1 |

FIG. 12

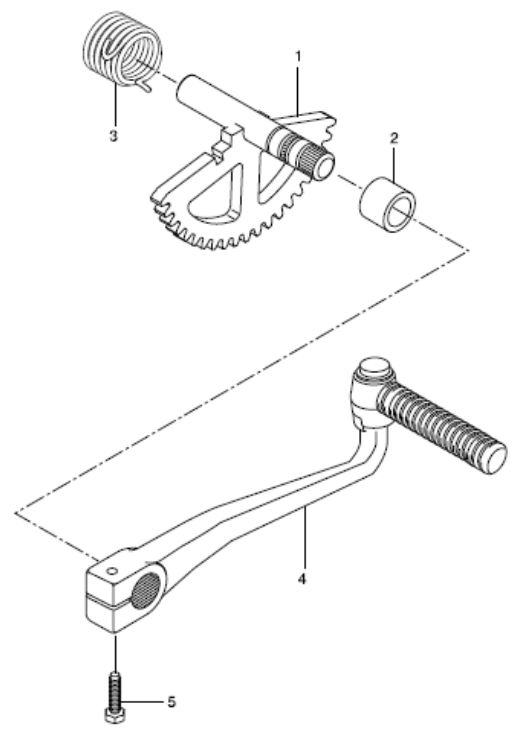


FIG 13. STARTING MOTOR

| REF. NO. | RAT01 | PARTS NAME | Q'TY |
|----------|-------|------------|------|
|----------|-------|------------|------|

| | | | |
|----|-------------|------------------------------|---|
| 1 | 31100-41D00 | MOTOR ASS'Y, starting | 1 |
| 2 | 31311-04C01 | ARMATURE | 1 |
| 3 | 31130-04C00 | HOLDER ASS'Y, brush | 1 |
| 4 | 31131-04C00 | HOLDER, brush | 1 |
| 5 | 31157-02540 | GASKET | 1 |
| 6 | 02112-35166 | SCREW(M5X16) | 3 |
| 7 | 31135-05B00 | SPRING, brush | 2 |
| 8 | 02112-06308 | SCREW | 2 |
| 9 | 31142-41D00 | WIRE, lead | 1 |
| 10 | 31120-04C00 | COVER, starting motor | 1 |
| 11 | 31156-05B00 | O-RING | 1 |
| 12 | 31370-41D00 | PINION ASS'Y, starting motor | 1 |
| 13 | 02112-36308 | SCREW, starting motor(M6X30) | 1 |
| 14 | 02112-36358 | SCREW, starting motor(M6X35) | 1 |

FIG. 13

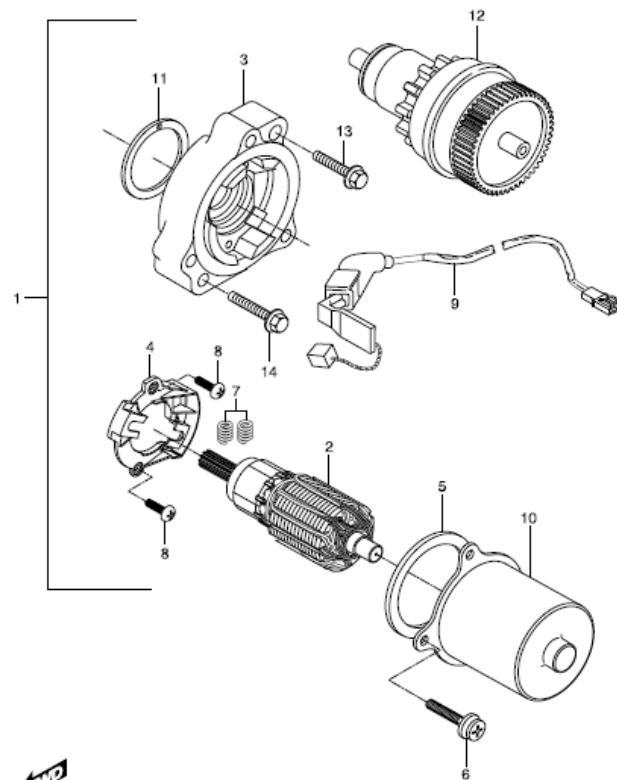


FIG 14. MAGNETO

| REF. NO. | RAT01 | PARTS NAME | Q`TY |
|----------|-------------|-----------------------|------|
| 1 | 32100-41D20 | MAGNETO ASS'Y | 1 |
| 2 | 32101-41D00 | STATOR ASS'Y | 1 |
| 3 | 32102-41D00 | ROTOR ASS'Y | 1 |
| 4 | 02112-05106 | SCREW, pulser coil | 2 |
| 5 | 02112-06206 | SCREW, magneto stater | 2 |
| 6 | 08341-31039 | KEY, magneto | 1 |
| 7 | 08316-26108 | NUT, magneto flywheel | 1 |

FIG. 14

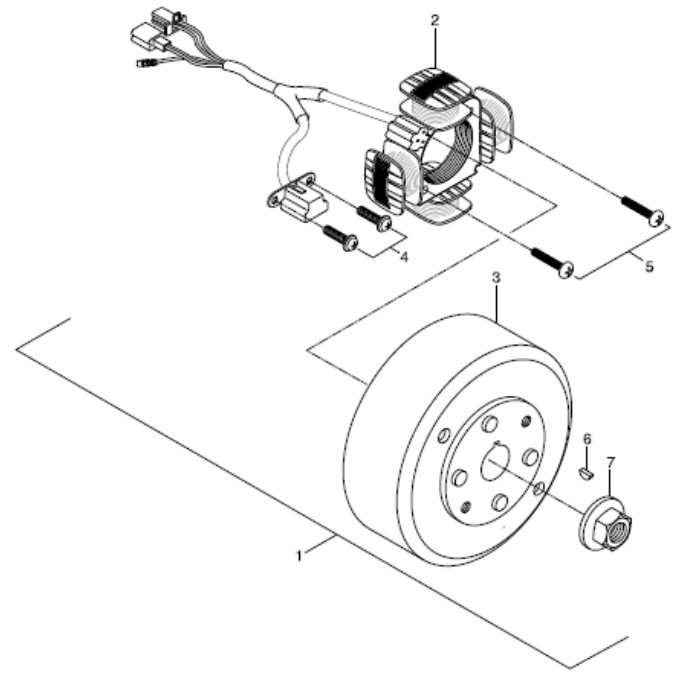


FIG 15. ELECTRICAL

| REF. NO. | RAT01 | PARTS NAME | Q`TY |
|----------|-------------|-----------------------------|------|
| 1 | 33410HK3101 | COIL ASS'Y, ignition | 1 |
| 2 | 33510H11200 | CAP, spark plug | 1 |
| 3 | 33543H11200 | BOOT, spark plug cap | 1 |
| 4 | 01134-06208 | BOLT, ignition coil | 2 |
| 5 | 33610-40B12 | BATTERY ASS'Y (12V, 4AH)ST | 1 |
| 6 | 38610HL7350 | RELAY ASS'Y, turnsignal | 1 |
| 7 | 31800-41D00 | RELAY ASS'Y, starting motor | 1 |
| 8 | 02142-06128 | SCREW, starting motor relay | 1 |
| 9 | 32800-36C20 | RECTIFIER ASS'Y | 1 |
| 10 | 02112-06168 | SCREW, rectifier | 1 |
| 11 | 32900HK2700 | C.D.I UNIT | 1 |
| 12 | 02142-06128 | SCREW C.D.I UNIT | 1 |

FIG. 15

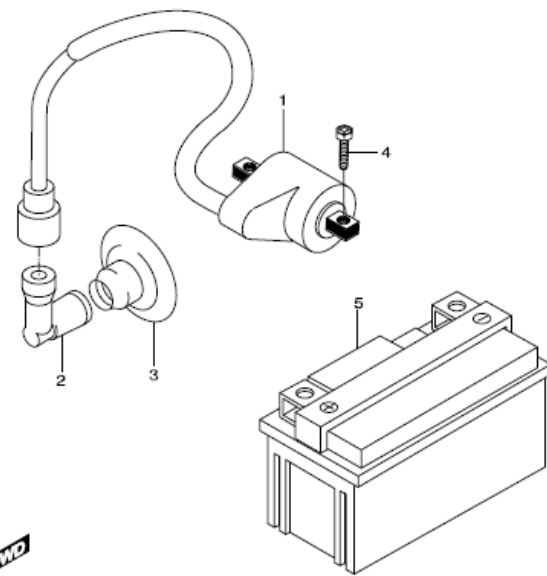
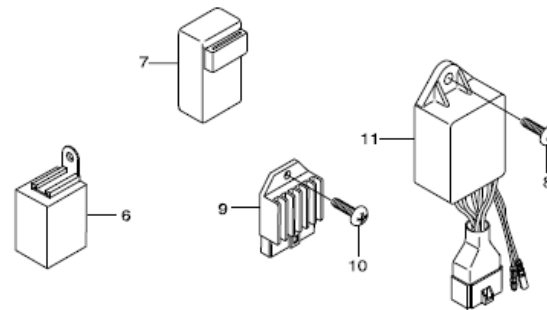


FIG 16. SPEEDOMETER

| REF. NO. | RAT01 | PARTS NAME | Q'TY |
|----------|-------------|----------------------------|------|
| 1 | 34100HP5301 | SPEEDOMETER ASS'Y | 1 |
| 2 | 39000HN3202 | INDICATOR LAMP, speedomete | 1 |
| 3 | 34950HN3200 | BRACKET, speedometer | 1 |
| 4 | 34171HN3201 | SOCKET ASS'Y, speedometer | 1 |
| 5 | 34910HB1101 | CABLE ASS'Y, speedometer | 1 |
| 6 | 09116-06143 | BOLT, speedometer bracket | 2 |

FIG. 16

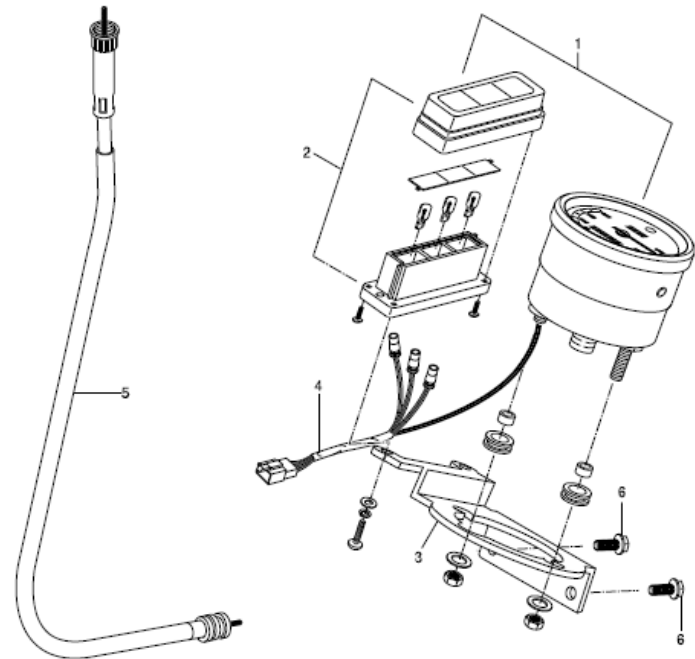


FIG 17. HEAD LAMP

| REF. NO. | RAT01 | PARTS NAME | Q'TY |
|----------|-------------|----------------------------|------|
| 1 | 35100HP5350 | HEAD LAMP ASSY | 1 |
| 2 | 09471-12103 | BULB, head lamp(S2 35/35W) | 1 |
| 3 | 35130HP5350 | WIRING ASS'Y, head lamp | 1 |
| 4 | 09111H05001 | BOLT, head lamp | 2 |
| 5 | 35151H11200 | BOLT, head lamp AIN'G | 1 |
| 6 | 35128H11200 | PLATE WASHER, head lamp AI | 1 |
| 7 | 08322-21068 | WAVE WASHER, head lamp AI | 1 |

FIG. 17

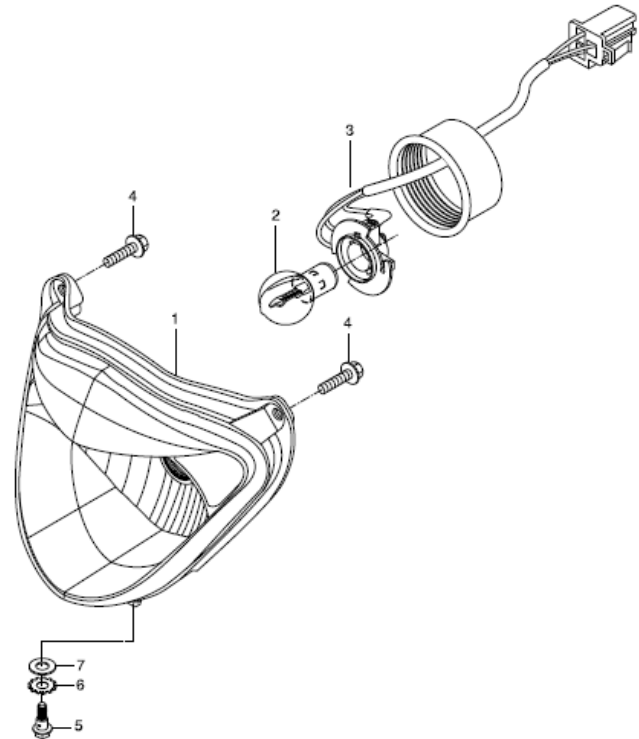


FIG 18. REAR COMBINATION

| REF. NO. | RAT01 | PARTS NAME | Q'TY |
|----------|-------------|---------------------------------|------|
| 1 | 35710HG2651 | LAMP ASS'Y, tail & stop | 1 |
| 2 | 02142-06125 | BOLT, tail & stop lamp | 2 |
| 3 | 03241-05165 | SCREW, tail & stop lamp | 2 |
| 4 | 09148-05039 | NUT, tail & stop lamp | 1 |
| 5 | 09471-12008 | BULB, tail & stop (12V 10/5W) | 1 |
| 6 | 35603HG2650 | LAMP ASS'Y, rear turnsignal R | 1 |
| 7 | 09471-12003 | BULB, rear turnsignal (12V 10W) | 2 |
| 8 | 35604HG2650 | LAMP ASS'Y, rear turnsignal L | 1 |
| 9 | 35652-35C00 | LENS, rear turnsignal RH | 1 |
| 9-1 | 35672-35C00 | LENS, rear turnsignal LH | 1 |
| 10 | 08310-11068 | NUT, rear turnsignal | 2 |
| 11 | 08322-21068 | WASHER, rear turnsignal | 2 |
| 12 | 03211-04205 | SCREW | 2 |
| 13 | 35625-01A00 | TAPPING SCREW | 2 |
| 14 | 35712HG2600 | LENS, tail & stop | 1 |

FIG. 18

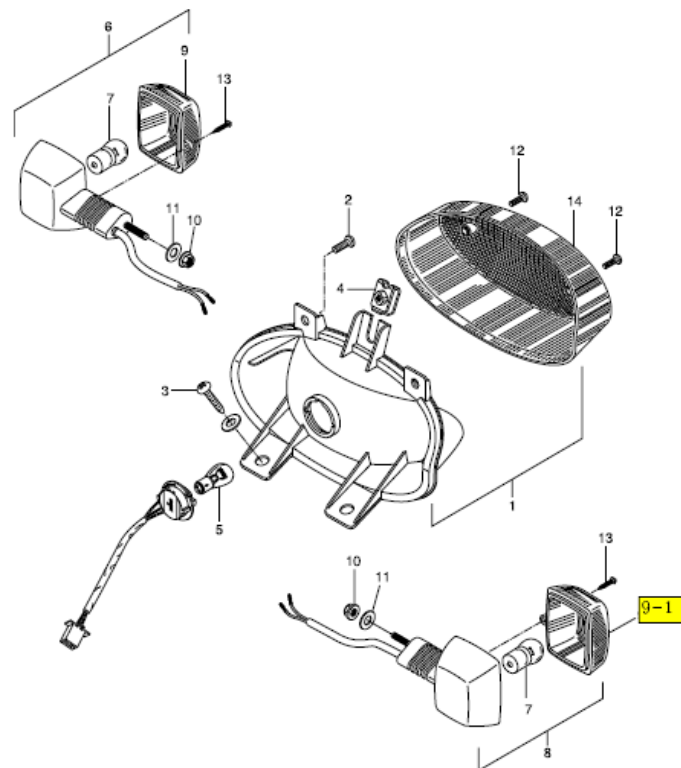


FIG 19. WIRING HARNESS

| REF. NO. | RAT01 | PARTS NAME | Q'TY |
|----------|-------|------------|------|
|----------|-------|------------|------|

| | | | |
|-----|-------------|---------------------------------------|----|
| 1 | 36610HP5350 | HARNESS, wiring | 1 |
| 1~1 | 36610HP5351 | HARNESS, wiring KM4CE16A261103912~ | 1 |
| 2 | 38500HN3201 | HORN ASSY | 1 |
| 3 | 02112-36128 | BOLT, HORN(M6×12) | 1 |
| 4 | 37000HG2630 | KEY SET | 1 |
| 4-1 | 37111HB1430 | BLANK KEY | 1 |
| 5 | 37100HG2630 | LOCK ASSY, steering | 1 |
| 6 | 09128-06005 | CAP, steering lock | 1 |
| 7 | 09407-14403 | CLAMP, wiring harness | 1 |
| 8 | 09403-22402 | CLAMP, wiring harness | 10 |
| 9 | 09407-254A1 | CLAMP | 2 |

FIG. 19

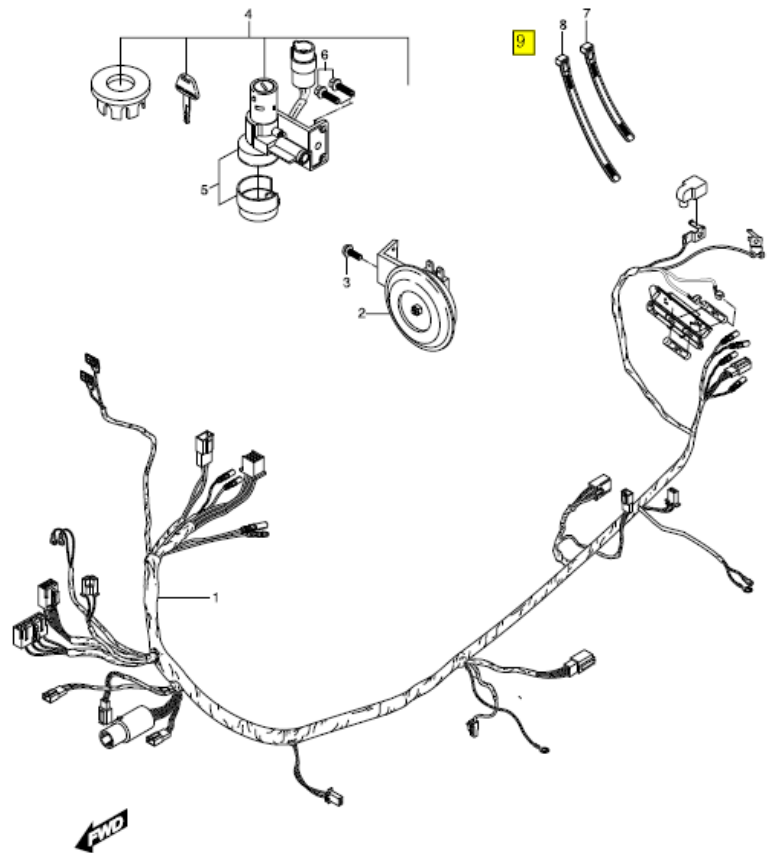


FIG 20. FRAME

| REF. NO. | RAT01 | PARTS NAME | Q`TY |
|-------------|----------------|-----------------------------------|------|
| 1 | 41100HP5306PAM | FRAME COMP | 1 |
| 2 | 41551HK2701 | FENDER, front upper | 1 |
| 3 | 61110HP5306 | LINK COMP, engine mounting | 1 |
| 4 | 41512HG2600 | BRACKET, leg front upper | 1 |
| 5 | 61121H11201 | CUSHION, engine mounting link | 1 |
| 6 | 09319H12049 | BUSH, engine mounting link | 2 |
| 7 | 54711-13700 | BOLT, engine mounting link | 1 |
| 8 | 08319-31126 | NUT, engine mounting link | 1 |
| 9 | 03241-05165 | SCREW, frame & side cover lowe | 3 |
| 10 | 01517-06125 | BOLT, leg shield rear front plate | 2 |
| 11 | 08316-26066 | NUT, leg front upper bracket | 2 |
| 12 | 02142-05125 | SCREW, frame & side cover lowe | 1 |
| 13 | 02142-05125 | SCREW, side cover lower & fram | 1 |
| 14 | 92113HG260226B | HOOK, leg shield cover | 1 |
| 15 | 01517-06125 | BOLT, leg shield cover hook | 1 |
| 16 | 03241-05165 | SCREW, frame & leg shield cover | 2 |
| 17 | 61114HP5301 | SPACER, engine M.T.G link | 1 |
| 18 | 09443-14026 | SPRING, engine M.T.G link | 1 |

FIG. 20

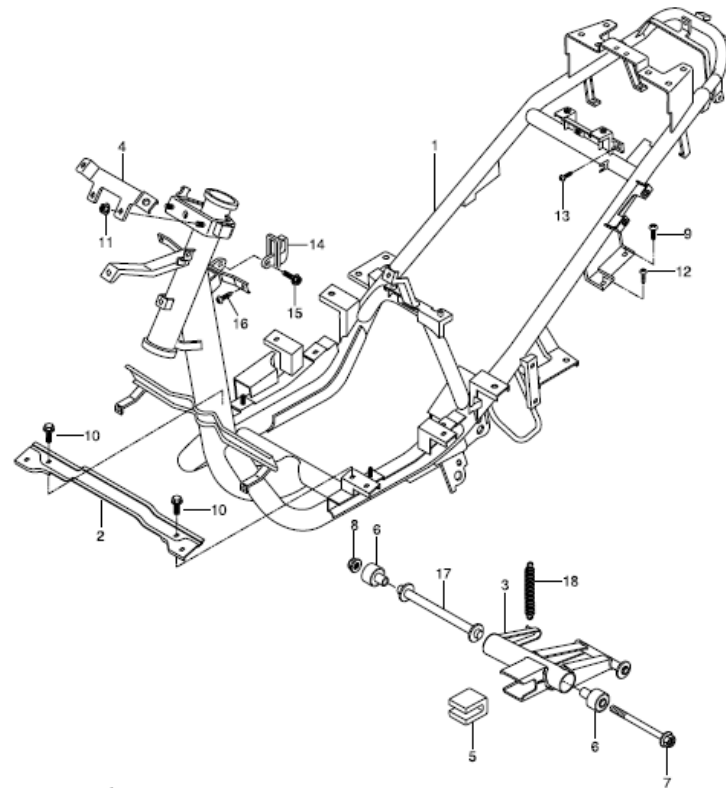


FIG 21. STAND

| REF. NO. | RAT01 | PARTS NAME | Q`TY |
|-------------|-------------|------------------------------|------|
| 1 | 42110HP5305 | STAND COMP, center | 1 |
| 2 | 42310HP5300 | STAND COMP, prop | 1 |
| 3 | 42211-41D00 | SHAFT, center stand pivot | 1 |
| 4 | 09321-10001 | CUSHION, center stand spring | 1 |
| 5 | 09443H17005 | SPRING, center stand | 1 |
| 6 | 09443H14037 | SPRING, prop stand | 1 |
| 7 | 09100-10031 | BOLT, prop stand | 1 |
| 8 | 08313-11107 | NUT, prop stand | 1 |
| 9 | 09100-10031 | BOLT, center stand spring | 1 |
| 10 | 09140-06007 | NUT, center stand spring | 1 |
| 11 | 08322-11106 | WASHER, center stand | 1 |
| 12 | 09204-02003 | COTTER PIN, center stand | 1 |
| 13 | 09443H10001 | SPRING, center stand inner | 1 |
| 14 | 09443-06001 | SPRING, prop stand inner | 1 |

FIG. 21

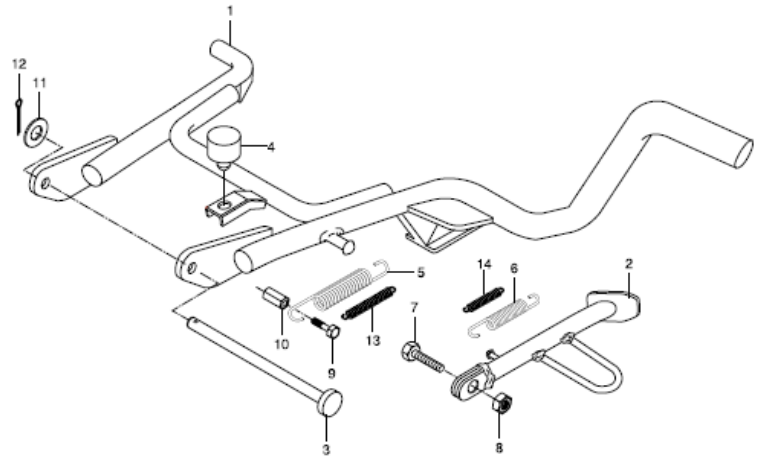


FIG 22. FUEL TANK

| REF. NO. | RAT01 | PARTS NAME | Q'TY |
|-------------|----------------|-------------------------------|------|
| 1 | 44100HN3202PAH | TANK SET, fuel | 1 |
| 2 | 44110HK2704PAM | TANK COMP, fuel | 1 |
| 3 | 15100HG2600 | PUMP ASS'Y, fuel | 1 |
| 4 | 34810HN3202 | GAUGE ASS'Y, fuel sender | 1 |
| 5 | 34825HE7100 | PACKING | 1 |
| 6 | 44200HK2701 | CAP SET, fuel tank filler | 1 |
| 7 | 44210HK2700 | CAP COMP, fuel tank filler | 1 |
| 8 | 44248-35000 | GASKET, fuel tank filler cap | 1 |
| 9 | 33652-29100 | CUSHION, fuel tank (90X20X3t) | 3 |
| 10 | 08316-26066 | NUT, fuel tank front(M6) | 2 |
| 11 | 01517-06125 | BOLT, fuel tank rear(M6X12) | 2 |
| 12 | 44199HK2701 | HOSE, fuel strainer inlet | 1 |
| 13 | 44197HK2701 | HOSE, fuel strainer outlet | 1 |
| 14 | 44910HG2600 | STARINER COMP, fuel | 1 |
| 15 | 09401-12401 | CLIP, fuel inlet hose No1 | 1 |
| 16 | 09401-08401 | CLIP, fuel inlet hose No2 | 1 |
| 17 | 09401-08401 | CLIP, fuel outlet hose No1 | 1 |
| 18 | 09401-09101 | CLIP, fuel outlet hose No2 | 1 |
| 19 | 02112-35168 | SCREW, fuel pump(M5x16) | 2 |
| 20 | 15821HP5301 | HOSE, fuel No1 | 1 |
| 21 | 15831HP5301 | HOSE, fuel No2 | 1 |
| 22 | 09401-09101 | CLIP, fuel hose | 2 |
| 23 | 09401-10401 | CLIP, fuel hose | 2 |
| 24 | 34811HN3201 | PLATE, fuel gauge | 1 |

FIG. 22

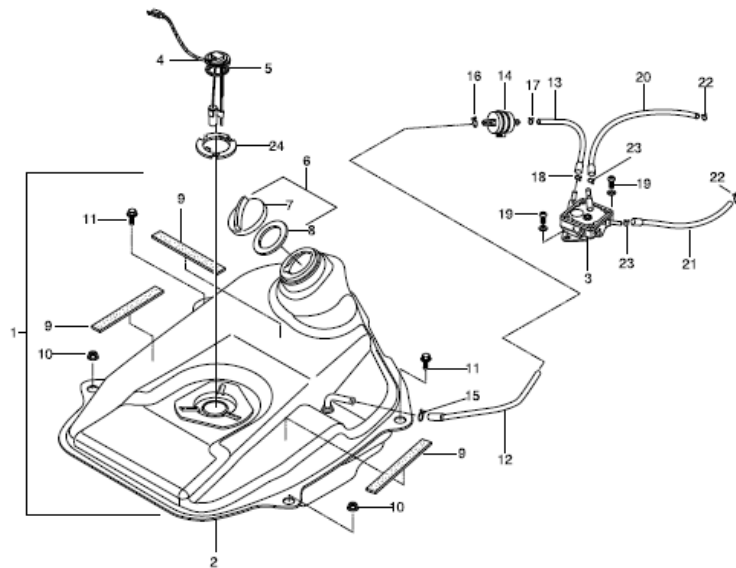


FIG 23. OIL TANK

| REF. NO. | RAT01 | PARTS NAME | Q`TY |
|----------|-------------|---------------------------------|------|
| 1 | 44610HG2650 | TANK SET, oil | 1 |
| 2 | 37880HG2600 | SWITCH ASS'Y, oil level | 1 |
| 3 | 44668HG2600 | GASKET, oil tank cap lower | 1 |
| 4 | 44651HG2600 | CAP, oil tank filler | 1 |
| 5 | 44616HG2600 | CUSHION, oil tank & helmet box | 2 |
| 6 | 33653HG2600 | CUSHION, oil tank & battery(10C | 1 |

FIG. 23

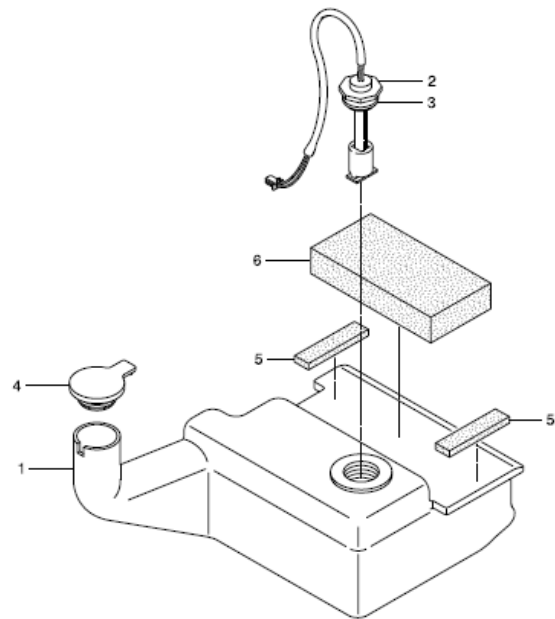


FIG 24. SEAT

| REF. NO. | RAT01 | PARTS NAME | Q`TY |
|----------|----------------|----------------------------------|------|
| 1 | 45100HG2603 | SEAT SET, front | 1 |
| 2 | 45200HG2603 | SEAT SET, pillion | 1 |
| 3 | 46411HM360603P | CARRIER, rear | 1 |
| 4 | 92311HG260226B | BOX, helmet rear | 1 |
| 5 | 45220HG2601 | LOCK, seat striker | 1 |
| 6 | 45293HG2600 | BRACKET, pillion seat | 1 |
| 7 | 45285HE7100 | BRACKET, seat support front | 1 |
| 8 | 45551HG2601 | PLATE, seat striker lock No.3 | 1 |
| 9 | 44218HF4500 | CUSHION, helmet box(50X35X6 | 4 |
| 10 | 09443H06006 | SPRING, seat striker lock No.3 & | 1 |
| 11 | 09111-06019 | BOLT, seat striker & frame(M6X. | 1 |
| 12 | 08316-26066 | NUT, seat striker lock(M6) | 2 |
| 13 | 08316-26066 | NUT, seat support front(M6) | 2 |
| 14 | 45215HE7100 | BOLT(M6X65) | 1 |
| 15 | 01104-06128 | BOLT(M6X12) | 2 |
| 16 | 09103H08254 | BOLT, rear carrier(M8X35) | 1 |
| 17 | 09180H08129 | WASHER, rear carrier RR | 1 |
| 18 | 02142-06165 | SCREW, helmet box & frame(M6 | 4 |
| 19 | 09169-06034 | WASHER, helmet box & frame | 4 |
| 20 | 92331HG260026B | COVER, battery | 1 |
| 21 | 02142-06125 | SCREW, battery cov & helmet bo | 2 |
| 22 | 09169-05009 | WASHER, battery cov & helmet t | 2 |
| 23 | 45280HG2602 | CABLE ASS`Y, seat lock | 1 |
| 24 | 08322-21088 | WASHER, RR carrier | 3 |
| 25 | 01517-08358 | BOLT, RR carrier RR | 2 |
| 26 | 09180H081F5 | SPACER, RR carrier | 2 |

FIG. 24

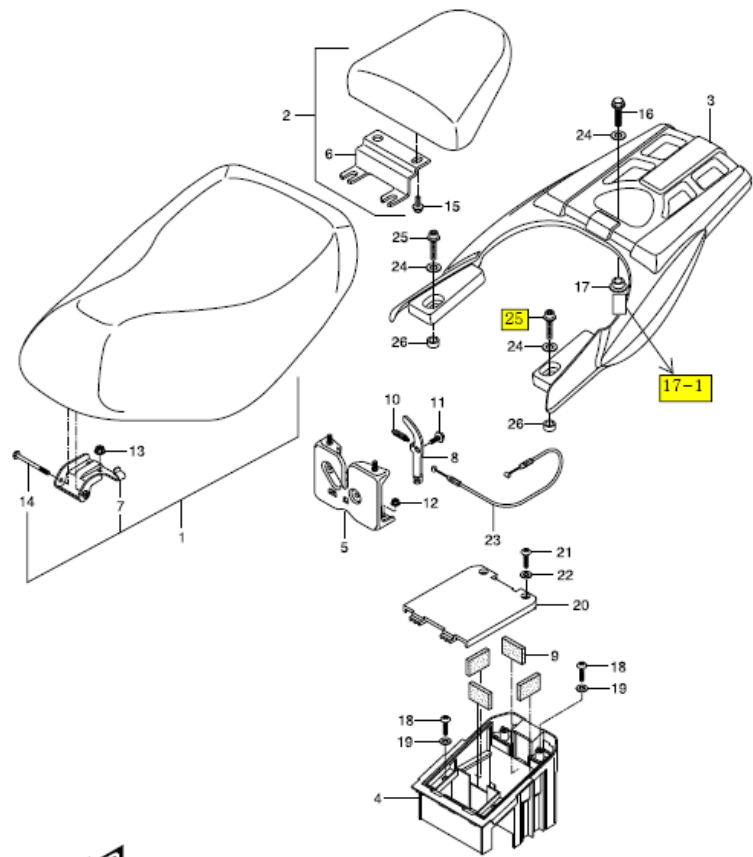


FIG 25. SIDE COVER

| REF. NO. | RAT01 | PARTS NAME | Q`TY |
|----------|-------|------------|------|
|----------|-------|------------|------|

| | | | |
|----|----------------|----------------------------------|---|
| 1 | 91311HG2604 | BOX, helmet front | 1 |
| 2 | 47211HG2603 | SIDE COVER, L(CPR, CR2) | 1 |
| 3 | 47111HG2603 | SIDE COVER, R(CPR, CR2) | 1 |
| 4 | 47311HG260026B | COVER, side center | 1 |
| 5 | 92321HG260226B | COVER, helmet box inner | 1 |
| 6 | 44668HG2600 | GASKET, oil tank cap lower | 1 |
| 7 | 09148-05020 | NUT, side cover R/L(M5) | 4 |
| 8 | 09343-05052 | HOSE, helmet box drain(8.2-5 L5 | 1 |
| 9 | 09401-08401 | CLIP, helmet box drain hose | 1 |
| 10 | 02152-05225 | SCREW, side cover & rear combi | 1 |
| 11 | 09169-05009 | WASHER, side cover & rear combi | 1 |
| 12 | 02142-06203 | SCREW, side cover & leg shield r | 1 |
| 13 | 09169-06070 | WASHER, side cover & leg shield | 1 |
| 14 | 02142-06255 | SCREW, side cover rear ctr front | 1 |
| 15 | 09169H06077 | WASHER, side cover rear ctr fron | 1 |
| 16 | 01517-06205 | BOLT, helmet box & side cover fi | 1 |
| 17 | 01517-06168 | BOLT, helmet box(M6X16) | 2 |
| 18 | 09169-06034 | WASHER, helmet box & side cov | 1 |
| 19 | 09169-06034 | WASHER, helmet box front | 2 |
| 20 | 09148-06020 | NUT, helmet box & side cover fr | 1 |
| 21 | 45700HG2630 | LOCK ASS'Y, seat | 1 |
| 22 | 45381HG2601 | GUIDE, seat lock cable | 1 |
| 23 | 92413HF4501 | WASHER, side cover L | 1 |
| 24 | 92414HF4500 | LOCK, key set | 1 |
| 25 | 01517-06168 | BOLT, helmat box(M6X16) | 2 |
| 26 | | TAPE, Rally 100 (OPR) | 3 |
| 27 | | TAPE, Rally 100 (OR2) | 3 |
| 28 | 68120HN3250A2B | TAPE, Rally 100 (OPR,OR2) | 3 |

FIG. 25

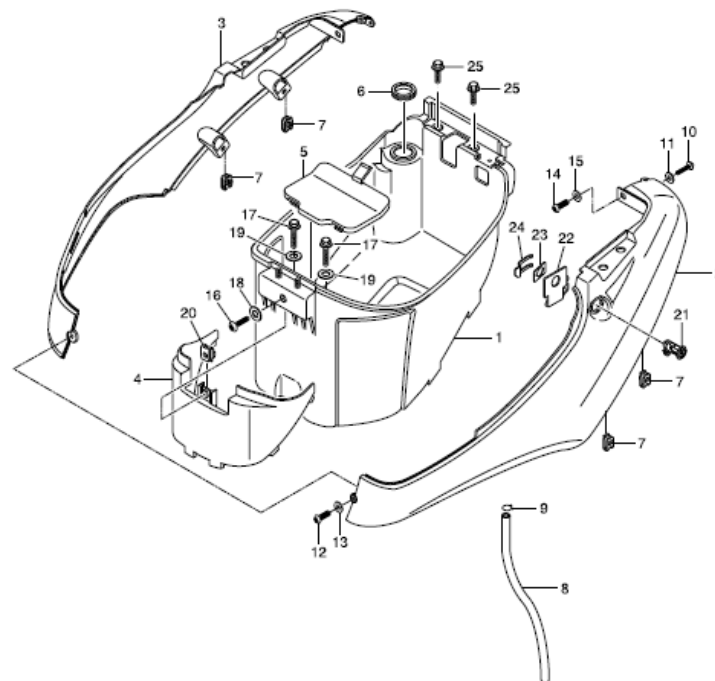


FIG 26. FRONT LEG SHIELD

REF. PARTS NAME Q'TY
NO. RAT01

| | | | |
|----|----------------|-----------------------------------|---|
| 1 | 48111HM3604 | SHIELD, leg front,(CPR,CR2) | 1 |
| 2 | 92111HK270226B | COVER, leg shield | 1 |
| 3 | 48137HG26020WG | SHIELD, leg lower front | 1 |
| 4 | 48211HG260326B | SHIELD, leg front upper | 1 |
| 5 | 35601HG2651 | LAMP ASS'Y, front turnsignal R | 1 |
| 6 | 09471-12003 | BULB, front turnsignal (12V 10W | 2 |
| 7 | 03241-05165 | SCREW, front turnsignal lamp(M | 6 |
| 8 | 35602HG2651 | LAMP ASS'Y, front turnsignal L | 1 |
| 9 | 48150HN3200 | GRILL COMP, leg shield front | 1 |
| 10 | 09111H06E06 | BOLT, leg shield cover & frame(| 2 |
| 11 | 03241-05165 | SCREW, leg shield cover & lower | 4 |
| 12 | 03241-05165 | SCREW, leg shield cover & front(| 4 |
| 13 | 03241-05165 | SCREW, leg shield front upper & | 5 |
| 14 | 09148-05020 | NUT, leg shield lower fr & leg co | 2 |
| 15 | 09148-06020 | NUT, head lamp & leg shield fron | 2 |
| 16 | 03241-05255 | SCREW, leg shield front & low fr | 4 |
| 17 | 08322-21055 | WASHER, leg shield front & low | 4 |
| 18 | 03241-05165 | SCREW, leg shield low front & co | 2 |
| 19 | 09148-05020 | NUT, leg shield front & lower fr(| 4 |
| 20 | 09148-06020 | NUT, leg shield low rear & front(| 2 |
| 21 | 02142-06165 | SCREW, leg shield low front & fr | 2 |
| 22 | 09169-06034 | WASHER, leg shield low front & | 2 |
| 23 | 02142-05165 | SCREW, leg shield front brkt | 4 |
| 24 | 08322-21056 | WASHER, leg shield front brkt | 4 |
| 25 | 08316-26055 | NUT, leg shield front & brkt | 4 |

FIG. 26

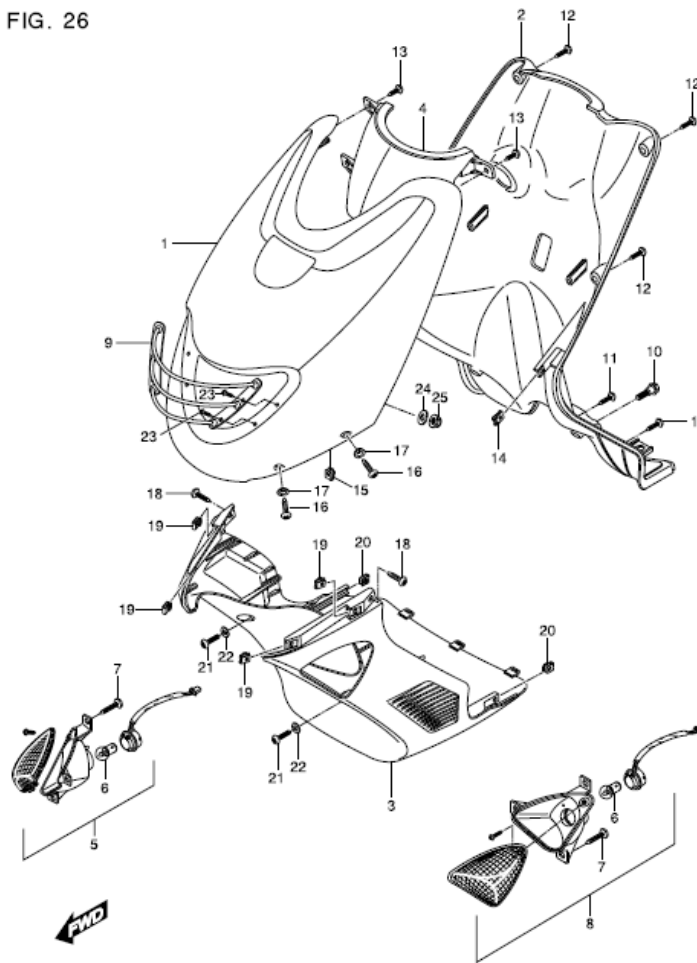


FIG 27. REAR LEG SHIELD

| REF. NO. | RAT01 | PARTS NAME | Q'TY |
|----------|-------|------------|------|
|----------|-------|------------|------|

| | | | | | | | | | | | | | | | | | | | | | | | | | | | | | | | | | | | | | | | | | | | | | | | | | | | | | | | | | | | | | | | |
|----|----------------|-----------------------------------|--|---|-------------|----------------------------------|---|---|-------------|--------------------------------|---|----|-------------|-----------------------------------|---|----|-------------|----------------------------------|---|----|-------------|-------------------------------|---|----|-------------|--------------------------|---|----|-------------|-----------------------------------|---|----|----------------|------------------|---|----|-------------|---------------------------------|---|----|-------------|----------------------------------|---|----|-------------|----------------------------------|---|----|-------------|---------------------------------|---|----|-------------|-----------------------|---|----|-------------|-------------------------|---|----|-------------|---------------------|---|
| 1 | 48121HK270226B | SHILED, leg rear | 1 | | | | | | | | | | | | | | | | | | | | | | | | | | | | | | | | | | | | | | | | | | | | | | | | | | | | | | | | | | | | |
| 2 | 48147HK27040WG | SHILED, leg lower rear | 1 | | | | | | | | | | | | | | | | | | | | | | | | | | | | | | | | | | | | | | | | | | | | | | | | | | | | | | | | | | | | |
| 3 | 47151HK270026B | COVER, side front R | 1 | | | | | | | | | | | | | | | | | | | | | | | | | | | | | | | | | | | | | | | | | | | | | | | | | | | | | | | | | | | | |
| 4 | 47251HK270026B | COVER, side front L | 1 | | | | | | | | | | | | | | | | | | | | | | | | | | | | | | | | | | | | | | | | | | | | | | | | | | | | | | | | | | | | |
| 5 | 47131HK270026B | SIDE FRONT, center | 1 | | | | | | | | | | | | | | | | | | | | | | | | | | | | | | | | | | | | | | | | | | | | | | | | | | | | | | | | | | | | |
| 6 | 43611HG2600 | FOOTREST, pillion R | 1 | | | | | | | | | | | | | | | | | | | | | | | | | | | | | | | | | | | | | | | | | | | | | | | | | | | | | | | | | | | | |
| 7 | 43621HG2600 | FOOTREST, pillion L | 1 </tr <tr> <td>8</td> <td>47155HG2601</td> <td>PLATE, side cov front & leg rear</td> <td>2</td> </tr> <tr> <td>9</td> <td>09148-05020</td> <td>NUT, leg shield rr& leg rr(M5)</td> <td>2</td> </tr> <tr> <td>10</td> <td>03241-05125</td> <td>SCREW, side cov fr plate & leg rr</td> <td>2</td> </tr> <tr> <td>11</td> <td>02142-06125</td> <td>SCREW, side cover front & plate(</td> <td>2</td> </tr> <tr> <td>12</td> <td>07110-06256</td> <td>BOLT, pillion footrest(M6X25)</td> <td>4</td> </tr> <tr> <td>13</td> <td>08322-21068</td> <td>WASHER, pillion footrest</td> <td>4</td> </tr> <tr> <td>14</td> <td>03241-05125</td> <td>SCREW, side cov fr plate & leg re</td> <td>2</td> </tr> <tr> <td>15</td> <td>47141HK270126B</td> <td>COVER, fuel tank</td> <td>2</td> </tr> <tr> <td>16</td> <td>09111H06E06</td> <td>BOLT, leg shield rear & frame(M</td> <td>4</td> </tr> <tr> <td>17</td> <td>03241-05165</td> <td>SCREW, leg shield low rr & leg r</td> <td>4</td> </tr> <tr> <td>18</td> <td>02142-06255</td> <td>SCREW, leg shield lower rear & f</td> <td>2</td> </tr> <tr> <td>19</td> <td>09169-06034</td> <td>WASHER, side cover front & plat</td> <td>2</td> </tr> <tr> <td>20</td> <td>44200HF4510</td> <td>LOCK ASS'Y, fuel tank</td> <td>1</td> </tr> <tr> <td>21</td> <td>92413HF4501</td> <td>WASHER, fuel tank cover</td> <td>1</td> </tr> <tr> <td>22</td> <td>92414HF4500</td> <td>LOCK, fuel tank key</td> <td>1</td> </tr> | 8 | 47155HG2601 | PLATE, side cov front & leg rear | 2 | 9 | 09148-05020 | NUT, leg shield rr& leg rr(M5) | 2 | 10 | 03241-05125 | SCREW, side cov fr plate & leg rr | 2 | 11 | 02142-06125 | SCREW, side cover front & plate(| 2 | 12 | 07110-06256 | BOLT, pillion footrest(M6X25) | 4 | 13 | 08322-21068 | WASHER, pillion footrest | 4 | 14 | 03241-05125 | SCREW, side cov fr plate & leg re | 2 | 15 | 47141HK270126B | COVER, fuel tank | 2 | 16 | 09111H06E06 | BOLT, leg shield rear & frame(M | 4 | 17 | 03241-05165 | SCREW, leg shield low rr & leg r | 4 | 18 | 02142-06255 | SCREW, leg shield lower rear & f | 2 | 19 | 09169-06034 | WASHER, side cover front & plat | 2 | 20 | 44200HF4510 | LOCK ASS'Y, fuel tank | 1 | 21 | 92413HF4501 | WASHER, fuel tank cover | 1 | 22 | 92414HF4500 | LOCK, fuel tank key | 1 |
| 8 | 47155HG2601 | PLATE, side cov front & leg rear | 2 | | | | | | | | | | | | | | | | | | | | | | | | | | | | | | | | | | | | | | | | | | | | | | | | | | | | | | | | | | | | |
| 9 | 09148-05020 | NUT, leg shield rr& leg rr(M5) | 2 | | | | | | | | | | | | | | | | | | | | | | | | | | | | | | | | | | | | | | | | | | | | | | | | | | | | | | | | | | | | |
| 10 | 03241-05125 | SCREW, side cov fr plate & leg rr | 2 | | | | | | | | | | | | | | | | | | | | | | | | | | | | | | | | | | | | | | | | | | | | | | | | | | | | | | | | | | | | |
| 11 | 02142-06125 | SCREW, side cover front & plate(| 2 | | | | | | | | | | | | | | | | | | | | | | | | | | | | | | | | | | | | | | | | | | | | | | | | | | | | | | | | | | | | |
| 12 | 07110-06256 | BOLT, pillion footrest(M6X25) | 4 | | | | | | | | | | | | | | | | | | | | | | | | | | | | | | | | | | | | | | | | | | | | | | | | | | | | | | | | | | | | |
| 13 | 08322-21068 | WASHER, pillion footrest | 4 | | | | | | | | | | | | | | | | | | | | | | | | | | | | | | | | | | | | | | | | | | | | | | | | | | | | | | | | | | | | |
| 14 | 03241-05125 | SCREW, side cov fr plate & leg re | 2 | | | | | | | | | | | | | | | | | | | | | | | | | | | | | | | | | | | | | | | | | | | | | | | | | | | | | | | | | | | | |
| 15 | 47141HK270126B | COVER, fuel tank | 2 | | | | | | | | | | | | | | | | | | | | | | | | | | | | | | | | | | | | | | | | | | | | | | | | | | | | | | | | | | | | |
| 16 | 09111H06E06 | BOLT, leg shield rear & frame(M | 4 | | | | | | | | | | | | | | | | | | | | | | | | | | | | | | | | | | | | | | | | | | | | | | | | | | | | | | | | | | | | |
| 17 | 03241-05165 | SCREW, leg shield low rr & leg r | 4 | | | | | | | | | | | | | | | | | | | | | | | | | | | | | | | | | | | | | | | | | | | | | | | | | | | | | | | | | | | | |
| 18 | 02142-06255 | SCREW, leg shield lower rear & f | 2 | | | | | | | | | | | | | | | | | | | | | | | | | | | | | | | | | | | | | | | | | | | | | | | | | | | | | | | | | | | | |
| 19 | 09169-06034 | WASHER, side cover front & plat | 2 | | | | | | | | | | | | | | | | | | | | | | | | | | | | | | | | | | | | | | | | | | | | | | | | | | | | | | | | | | | | |
| 20 | 44200HF4510 | LOCK ASS'Y, fuel tank | 1 | | | | | | | | | | | | | | | | | | | | | | | | | | | | | | | | | | | | | | | | | | | | | | | | | | | | | | | | | | | | |
| 21 | 92413HF4501 | WASHER, fuel tank cover | 1 | | | | | | | | | | | | | | | | | | | | | | | | | | | | | | | | | | | | | | | | | | | | | | | | | | | | | | | | | | | | |
| 22 | 92414HF4500 | LOCK, fuel tank key | 1 | | | | | | | | | | | | | | | | | | | | | | | | | | | | | | | | | | | | | | | | | | | | | | | | | | | | | | | | | | | | |

FIG. 27

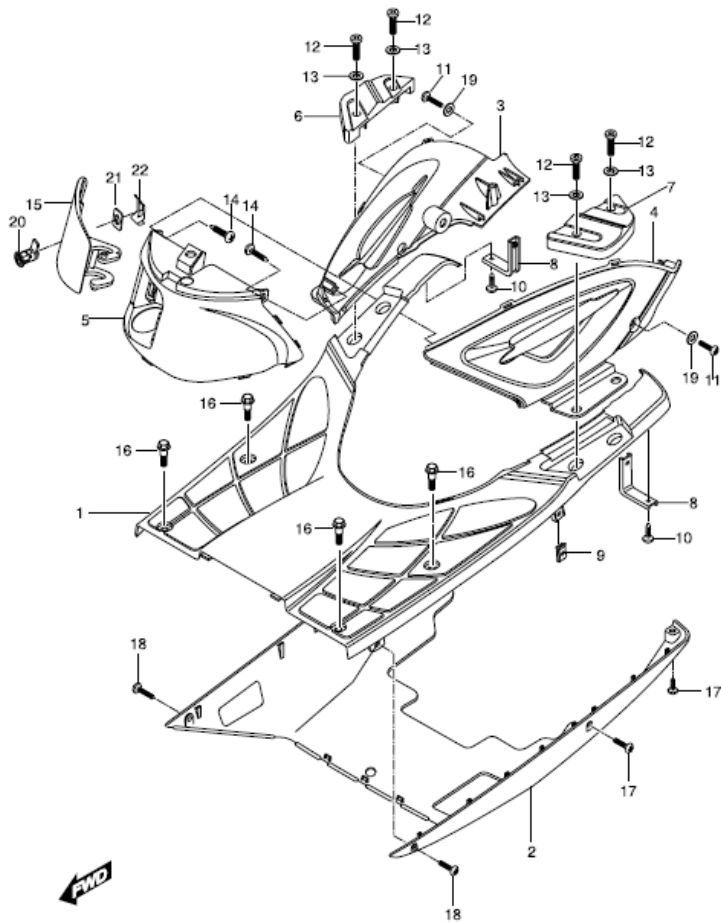


FIG 28. FRONT FORK

| REF. NO. | RAT01 | PARTS NAME | Q'TY |
|----------|----------------|--------------------------------|------|
| 0 | 51100HN3200HPA | FORK ASS'Y, front | 1 |
| 1 | 51130HN3200 | .BOTTOM CASE COMP, R | 1 |
| 2 | 51140HN3200 | .BOTTOM CASE COMP, L | 1 |
| 3 | 51111HG2600 | .FORK, pipe | 2 |
| 4 | 51412HG2600 | .STEM, front fork steering | 1 |
| 5 | 51211HG2600 | .UNDER BRACKET ASS'Y | 1 |
| 6 | 51351H11A00 | .FORK BOLT | 2 |
| 7 | 51181H11A00 | .O-RING, fork bolt | 2 |
| 8 | 51171HK2700 | .SPRING | 2 |
| 9 | 51196H11A00 | .PISTON RING | 2 |
| 10 | 51177H11A00 | .REBOUND SPRING | 2 |
| 11 | 51146H11A00 | .PIPE SEAT | 2 |
| 12 | 36618-02100 | COVER, steering stem lock | 1 |
| 13 | 51632-02400 | NUT, steering stem lock | 1 |
| 14 | 09166-26001 | WASHER, steering stem lock | 1 |
| 15 | 51631-28000 | NUT, steering stem | 1 |
| 16 | 51643-25001 | DUST SEAL, steering upper | 1 |
| 17 | 51621-28000 | RACE, steering outer upper | 1 |
| 18 | 06111-06004 | BALL, steering stee | 47 |
| 19 | 51611-20002 | RACE, steering inner upper | 1 |
| 20 | 51612-04000 | RACE, steering inner lower | 1 |
| 21 | 01174-06168 | BOLT, brake hose clamp | 1 |
| 22 | 59268HG2600 | CLAMP, brake hose | 1 |
| 23 | 01174-06168 | .BOLT, speedometer cable guide | 1 |
| 24 | 51418H11A00 | .GUIDE, speedometer cable | 1 |
| 25 | 51148H11A00 | .PACKING | 2 |
| 26 | 51147H11A00 | .SOCKET, bolt | 2 |
| 27 | 51173H11A00 | .DUST BOOT | 2 |
| 28 | 51156H11A00 | .STOPPER RING, oil seal | 2 |
| 29 | 51153H11A00 | .OIL SEAL, front fork | 2 |

FIG. 28

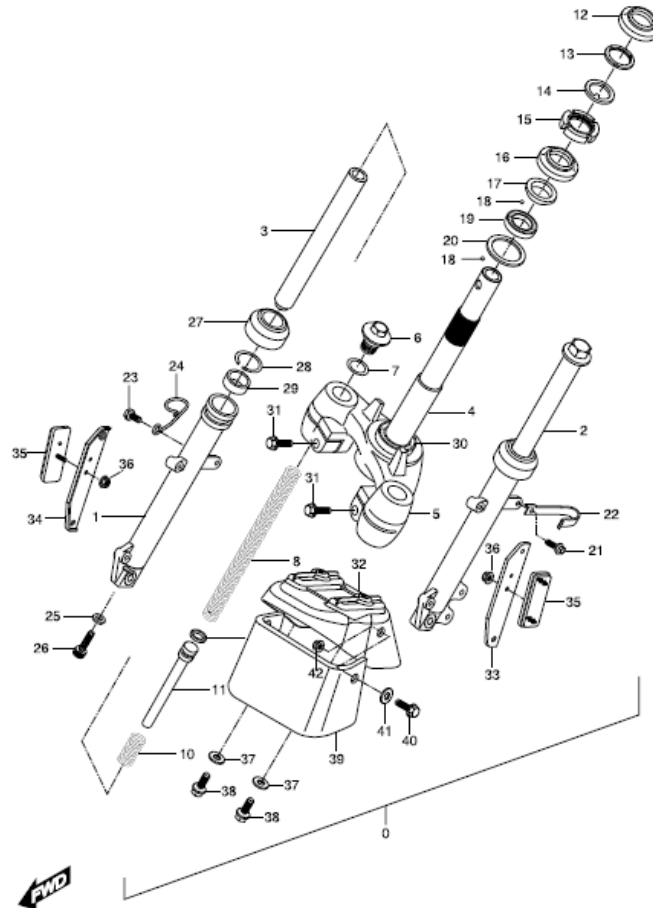


FIG 28. FRONT FORK

| REF. NO. | RAT01 | PARTS NAME | Q'TY |
|----------|----------------|--------------------------------|------|
| 30 | 51622-04000 | .RACE, steering outer lower | 1 |
| 31 | 07110-08258 | BOLT, under bracket | 2 |
| 32 | 53112HN320112B | FENDER, FRONT inner | 1 |
| 33 | 53114HN3202 | DECORATION, reflex reflector L | 1 |
| 34 | 53113HN3202 | DECORATION, reflex reflector R | 1 |
| 35 | 35950HG2601 | REFLEX REFLECTOR ASS'Y, s | 2 |
| 36 | 08316-26055 | NUT, RR reflex reflector | 2 |
| 37 | 09160-06057 | WASHER, FT fender inner | 2 |
| 38 | 01517-06166 | BOLT, FT fender inner | 2 |
| 39 | 53117HP5301 | MUD GUARD, F/T fender inner | 1 |
| 40 | 02142-05165 | SCREW, Fender F/T inner & mud | 5 |
| 41 | 09160-05016 | WASHER, Fender F/T inner & m | 5 |
| 42 | 08316-26055 | NUT, Fender F/T inner & mud gu | 5 |

FIG. 28

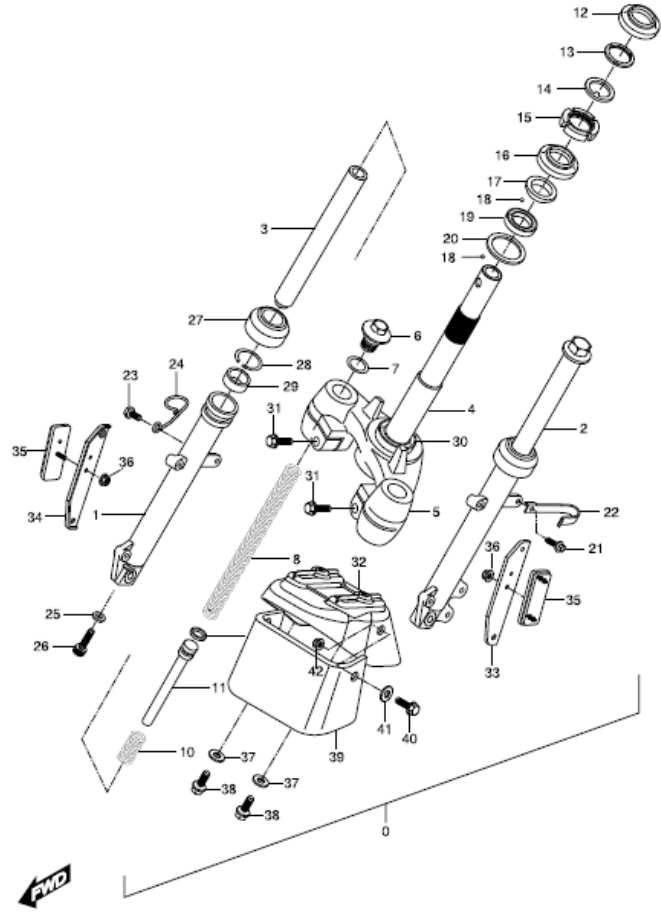


FIG 29. FRONT FENDER

| REF. NO. | RAT01 | PARTS NAME | Q`TY |
|-------------|-------------|-------------------------------|------|
| 1 | 53111HN3200 | FRONT, fender(OPR,OR2) | 1 |
| 2 | 53115HN3200 | BRACKET, front fender upper | 1 |
| 3 | 48115HM3600 | PLATE, headlamp aiming | 1 |
| 4 | 01517-06166 | SCREW, headlamp aiming plate | 2 |
| 5 | 03241-05126 | SCREW, front fender up & brkt | 2 |

FIG. 29

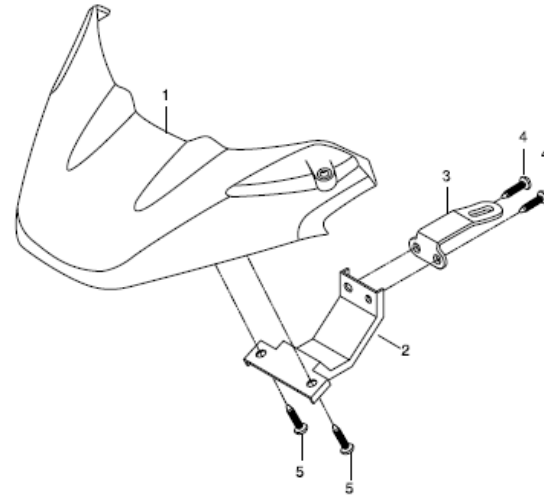


FIG 30. FRONT WHEEL

| REF. NO. | RAT01 | PARTS NAME | Q`TY |
|-------------|----------------|--------------------------------|------|
| 1 | 54140HN3200120 | WHEEL COMP, front 2.75x10 | 1 |
| 2 | 08123-62007 | BEARING, front wheel | 2 |
| 3 | 54730HG2600 | SPACER COMP, front wheel | 1 |
| 4 | 54711HE7100 | AXLE, front | 1 |
| 5 | 09285-16002 | DUST SEAL, front hub bearing L | 1 |
| 6 | 54741-29C00 | SPACER, front axle L | 1 |
| 7 | 08319-31108 | NUT, front axle | 1 |
| 8 | 54600HG2600 | BOX ASS'Y, speedometer gear | 1 |
| 9 | 59211-29C10 | DISC, front brake | 1 |
| 10 | 59421-03A01 | BOLT, front brake disc | 3 |
| 11 | 55109HN3200 | TIRE SET, front 120/90-10 47J | 1 |
| 12 | 55220-29C20 | VALVE ASS'Y, wheel rim | 1 |

FIG. 30

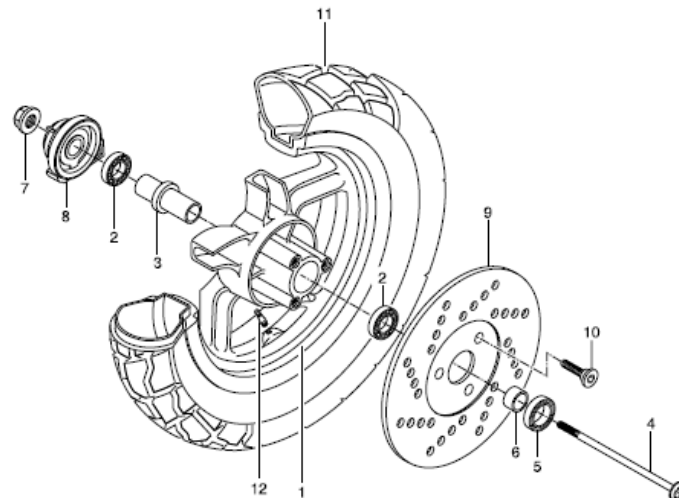


FIG 31. HANDLE BAR

| REF. NO. | RAT01 | PARTS NAME | Q'TY |
|----------|----------------|------------------------------|------|
| 1 | 56110HP5301PAM | HANDLE BAR, COMP | 1 |
| 2 | 56500HN3200 | MIRROR ASS'Y, rear view R | 1 |
| 3 | 56600HN3200 | MIRROR ASS'Y, rear view L | 1 |
| 4 | 58300HP5301 | CABLE ASS'Y, throttle | 1 |
| 5 | 58510HP5301 | CABLE COMP, rear brake | 1 |
| 6 | 09403-09301 | GUIDE, rear brake cable | 1 |
| 7 | 01134-06128 | BOLT, cable guide | 1 |
| 8 | 58591H11A00 | PLATE, rear brake cable | 1 |
| 9 | 01134-06208 | BOLT, rear brake cable plate | 1 |
| 10 | 09103-10055 | BOLT, handle bar clamp | 1 |
| 11 | 56211-272A0 | HOLDER, handle bar | 4 |
| 12 | 56123-29C00 | BOLT, handle bar | 1 |
| 13 | 01234-08556 | BOLT, handle bar holder | 4 |
| 14 | 09440H06013 | SPRING | 1 |
| 15 | 09209H11005 | LEVER PIN | 1 |
| 16 | 09150-01501 | ADJUST NUT, rear brake | 1 |
| 18 | 08319-31108 | NUT, handlebar clamp | 1 |
| 19 | 94611HN3200 | BRACKET, windscreen | 1 |

FIG. 31

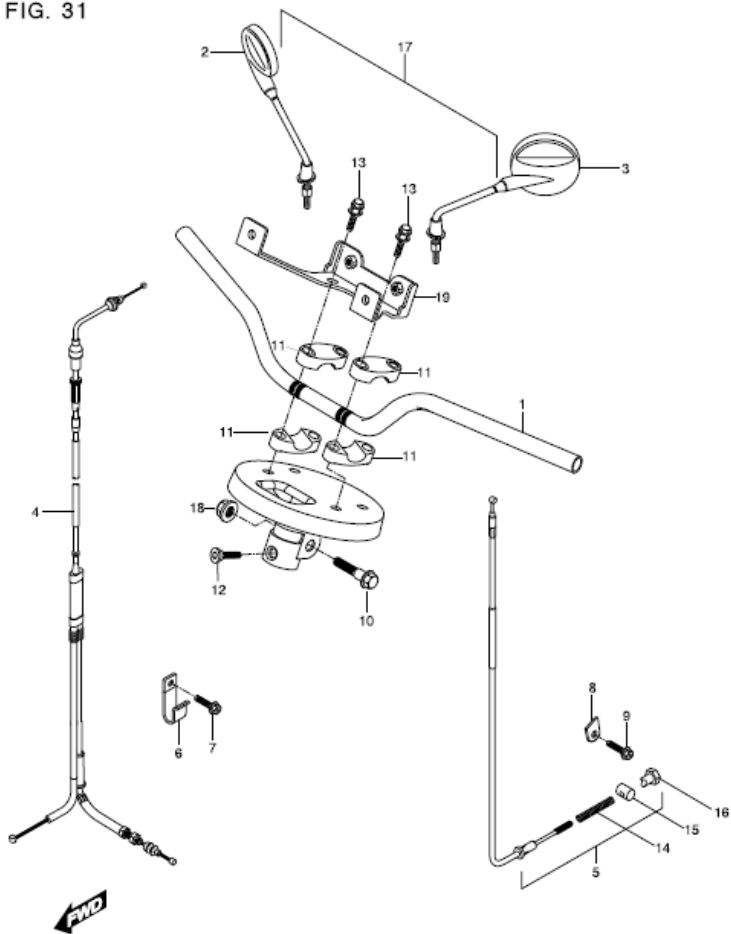


FIG 32. HANDLE COVER

| REF. NO. | RAT01 | PARTS NAME | Q`TY |
|-------------|-------------|-----------------------------|------|
| 1 | 94611HN3200 | WINDSCREEN | 1 |
| 2 | 02142-06165 | SCREW, windscreen & bracket | 2 |
| 3 | 09169H06077 | WASHER, windscreen | 2 |
| 4 | 09320H08019 | CUSHION, windscreen | 2 |

FIG. 32

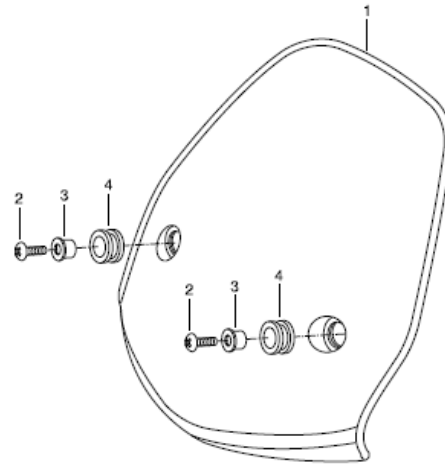


FIG 33. HANDLE SWITCH

| REF. NO. | RAT01 | PARTS NAME | Q'TY |
|----------|----------------|-----------------------------------|------|
| 1 | 57110HN3201 | GRIP COMP, throttle | 1 |
| 2 | 37200HN3200 | SWITCH ASS'Y, handle R | 1 |
| 3 | 57511HG5800 | HOLDER, lever | 1 |
| 4 | 57211HN3200 | GRIP, L | 1 |
| 5 | 57500HP5300 | LEVER ASS'Y, rear brake | 1 |
| 6 | 57421-03A01 | LEVER COMP, rear brake | 1 |
| 7 | 57533HP5300 | BOLT, rear brake parking | 1 |
| 8 | 02112-06205 | SCREW(M5X20) | 1 |
| 9 | 08319-21055 | NUT(M5) | 1 |
| 10 | 37400HN3201 | SWITCH ASS'Y, stop | 1 |
| 11 | 57460HN3200 | SWITCH ASS'Y, stop | 1 |
| 12 | 56271HF4501PLA | BALANCER, handlebar | 2 |
| 13 | 07110-08208 | BOLT, handlebar balancer | 2 |
| 14 | 57531HP5301 | LEVER, rear brake parking | 1 |
| 15 | 57532HP5302 | SPRING, rear brake parking lever | 1 |
| 16 | 58273-31000 | BOOT, rear brake parking lever re | 1 |

FIG. 33

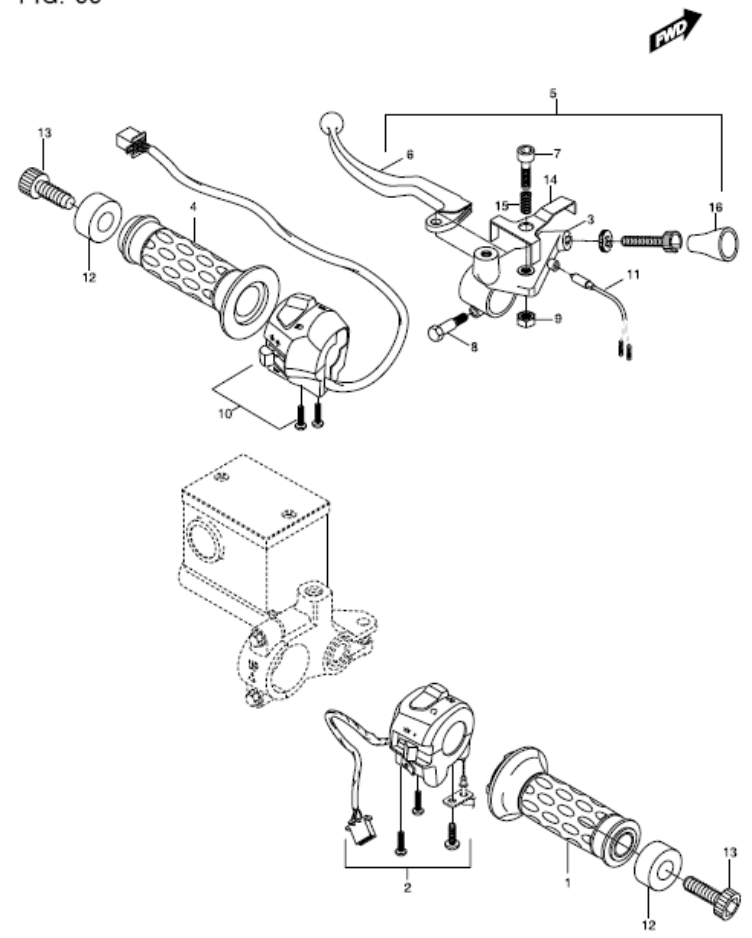


FIG 34. CALIPER

| REF. NO. | RAT01 | PARTS NAME | Q'TY |
|----------|----------------|------------------|------|
| 1 | 59300-03A31304 | CALIPER ASS'Y | 1 |
| 2 | 07120-08208 | BOLT, caliper | 2 |
| 3 | 59170-03A00 | SEAL | 1 |
| 4 | 59308-03A00 | BOOT | 1 |
| 5 | 59300-41D00 | PAD SET | 1 |
| 6 | 59315-36500 | SPRING | 1 |
| 7 | 59313-36A00 | CARRIER, L | 1 |
| 8 | 59312-36500 | BOOT | 1 |
| 9 | 59313-36500 | INSULATOR | 1 |
| 10 | 59121-18410 | BLEEDER | 1 |
| 11 | 59122H18420 | CAP | 1 |
| 12 | 59300-03810 | PISTON SET | 1 |
| 13 | 59360-03A30 | HOUSING, caliper | 1 |

FIG. 34

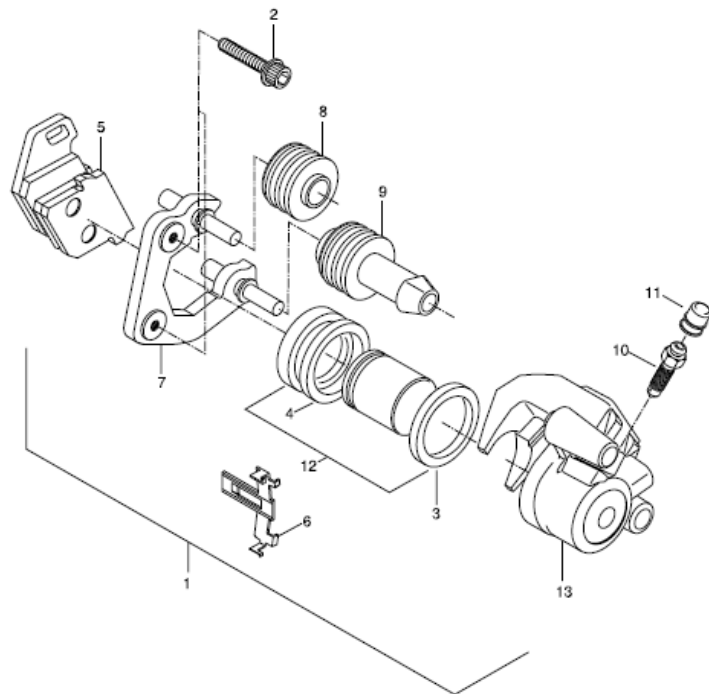


FIG 35. MASTER CYLINDER

| REF. NO. | RAT01 | PARTS NAME | Q'TY |
|----------|-------|------------|------|
|----------|-------|------------|------|

| | | | |
|----|-------------|----------------------------|---|
| 1 | 59600-35C03 | CYLINDER SET, front master | 1 |
| 2 | 57421-13001 | LEVER, brake | 1 |
| 3 | 57431H05D00 | SCREW, brake lever pivot | 1 |
| 4 | 08319-21065 | NUT, brake lever pivot | 1 |
| 5 | 57460-17C00 | SWITCH ASS'Y, stop | 1 |
| 6 | 02112-74108 | SCREW, stop switch | 1 |
| 7 | 09161-10005 | WASHER, brake fluid | 4 |
| 8 | 09360-10039 | BOLT, brake fluid | 2 |
| 9 | 59480HN3201 | HOSE COMP, front brake | 1 |
| 10 | 59691-35C00 | SCREW | 2 |
| 11 | 08322-21066 | WASHER | 1 |
| 12 | 09360-10039 | BOLT | 1 |
| 13 | 59671-35C00 | HOLDER | 1 |

FIG. 35

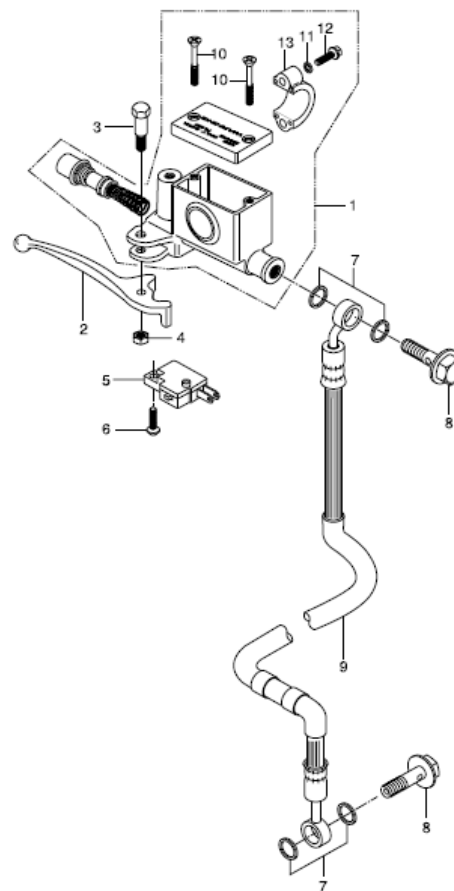


FIG 36. REAR FENDER

| REF. NO. | RAT01 | PARTS NAME | Q'TY |
|----------|----------------|-----------------------------------|------|
| 1 | 47161HG260726B | COVER, side lower | 1 |
| 2 | 63111HP530026B | REAR FENDER, rear upper | 1 |
| 3 | 63112HG260126B | REAR FENDER, rear lower | 1 |
| 4 | 01517-06165 | BOLT, rr fen rr up & side cov low | 4 |
| 5 | 09103-10019 | BOLT, rear shock absorber(M10X | 2 |
| 6 | 09136-06017 | SCREW, rear fen rear upper & lov | 3 |
| 7 | 08316-16068 | NUT, rear fender rear upper & lov | 1 |
| 8 | 63119HP5300 | BRKT, rear fender rear upper | 1 |
| 9 | 09169-06034 | WASHER, rr fender rr up & side c | 1 |
| 10 | 02142-05305 | SCREW, side cover lower & fram | 1 |
| 11 | 09169-05009 | WASHER, side cover lower & fra | 1 |
| 12 | 03241-05255 | SCREW, side cover lower & side | 4 |
| 13 | 09169-05009 | WASHER, side cover lower & sid | 4 |
| 14 | 09148-05039 | NUT, side cover lower(M5) | 1 |
| 15 | 62100HP5300 | ABSORBER ASS'Y, rear shock | 1 |

FIG. 36

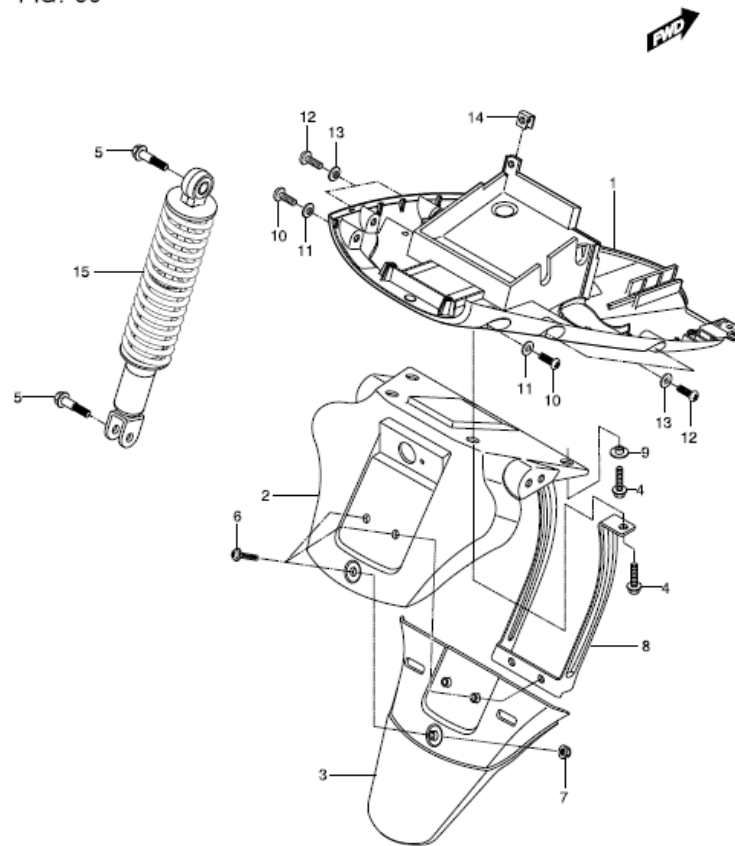


FIG 37. REAR WHEEL

| REF. NO. | RAT01 | PARTS NAME | Q'TY |
|----------|-------|------------|------|
|----------|-------|------------|------|

| | | | |
|----|----------------|--------------------------------|---|
| 1 | 64150HP5300120 | WHEEL COMP, rear (3.00x12) | 1 |
| 2 | 65109HN3200 | TIRE SET, rear (120/70-12 51J) | 1 |
| 3 | 64400HK3100 | SHOE COMP, brake | 2 |
| 4 | 09443H08025 | SPRING, brake shoe | 2 |
| 5 | 64441-41D00 | CAM, rear brake | 1 |
| 6 | 64451-02111 | LEVER, rear brake cam | 1 |
| 7 | 12812-30A00 | BOLT, rear brake cam lever | 1 |
| 8 | 08316-16068 | NUT, rear brake cam lever | 1 |
| 9 | 09160-16025 | WASHER, rear axle | 1 |
| 10 | 08319-21168 | NUT, rear axle | 1 |
| 11 | 55220-29C20 | VALVE ASS'Y, wheel rim | 1 |
| 12 | 63115HG260626B | REAR FENDER, front | 1 |
| 13 | 09136-06017 | SCREW, rear fender front | 4 |
| 14 | 64492-17B01 | PLATE, brake lining indicator | 1 |
| 15 | 63118HP5300 | HEAT SHIELD, rear fender front | 2 |
| 16 | 63117HP5300 | HEAT SHIELD, rear fender front | 1 |

FIG. 37

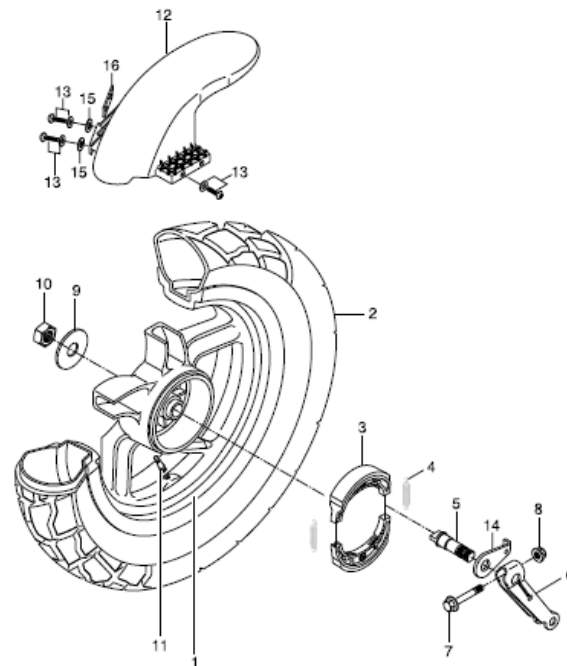


FIG 38. LAMP LICENSE

| REF. NO. | RAT01 | PARTS NAME | Q'TY |
|----------|-------------|----------------------------|------|
| 1 | 35910HL7350 | LAMP ASSY, license plate | 1 |
| 2 | 08316-26055 | NUT, license lamp(M5) | 2 |
| 3 | 35915HL7300 | COVER, license lamp | 1 |
| 4 | 08316-26055 | NUT, rear reflex reflector | 1 |
| 5 | 35970-17303 | REFLEX REFLECTOR ASS'Y, R | 1 |
| 6 | 01107-05605 | BOLT, license lamp | 2 |
| 7 | 35911HG5800 | LENS, license | 1 |
| 8 | 35912HG5800 | HOUSING, license | 1 |
| 9 | 35916HG5800 | CORD ASS'Y | 1 |
| 10 | 09471-12210 | BOLB, license lamp(12V/5W) | 1 |
| 11 | 35927HP5301 | STAY, license lamp | 1 |
| 12 | 09148-05039 | NUT, license lamp stay | 2 |

FIG. 38

