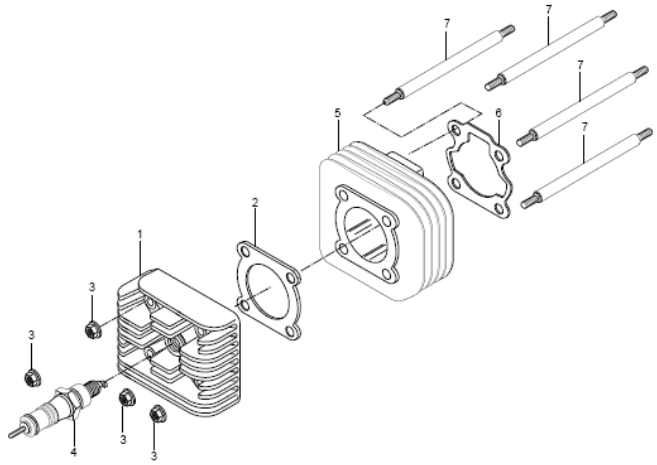


# FIG 1. CYLINDER

REF.	PARTS NAME	Q'TY	
1	11111HF1651	CYLINDER HEAD	1
2	11141-02110	GASKET,CYLINDE HEAD	1
3	08316-16068	NUT,CYLINDER HEAD(6)	4
4	09482-01059	SPARK PLUG(BP6HS)	1
5	11211HG2602PCY	CYLINDER	1
6	11241HF1602	GASKET,CYLINDER	1
7	01421-06858	STUD BOLT,CYLINDER(6*85)	4

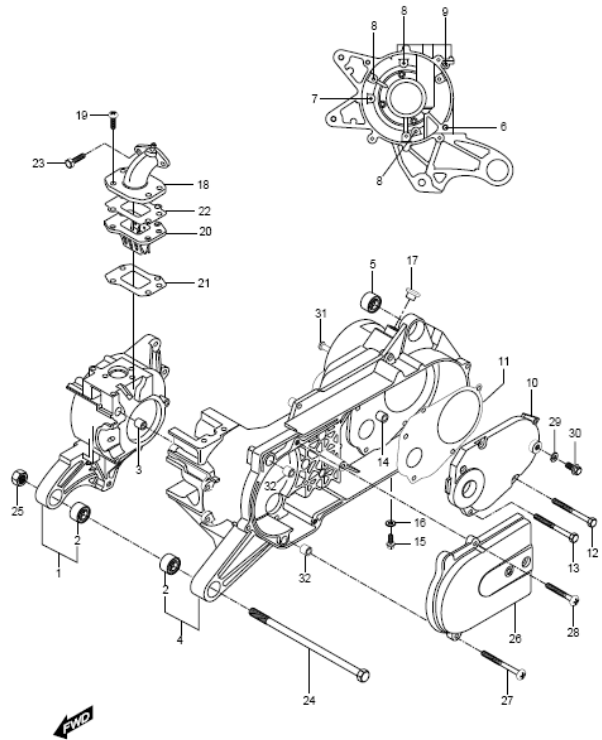
FIG.1



# FIG 2. CRANK CASE

REF.	PARTS NAME	Q'TY
NO.LAT01		
1	11310H11207HPA CRANK CASE,R	1
2	09319-10027 BUSH,ENGINE MOUNTING	2
3	04213-09129 KNOCK PIN,CRANK CASE	2
4	11320HF1603HPA CRANK CASE,L	1
5	09319-10032 BUSH,R/R SHOCK ABSORBER	1
6	02112-06508 SCREW,CRANK CASE(6*50)	1
7	02112-06458 SCREW,CRANK CASE(6*45)	1
8	02112-06408 SCREW,CRANK CASE(6*40)	2
9	02112-06558 SCREW,CRANK CASE(6*55)	1
10	11431SD2100HPA COVER,GEAR BOX ASS'Y	1
10-1	11431HD2100PCR COVER, GEAR BOX	1
11	11484H11203 GASKET,GEAR BOX COVER	1
12	01547-06208 BOLT,GEAR BOX COVER(6*20)	4
13	01547-06308 BOLT,GEAR BOX COVER(6*30)	2
14	04213-09129 KNOCK PIN,GEAR BOX COVER	2
15	09247-100A8 PLUG,OIL DRAIN	1
16	09168H10003 GASKET,OIL DRAIN BOLT	1
17	09250H11005 PLUG,OIL FILLER	1
18	13110HF1602 PIPE COMP.INTAKE	1
19	SCREW,INTAK PIPE(6*25)	4
19	02112-96256 SCREW,INTAK PIPE(6*25)	3
19-1	09139H06021 SCREW,INTAK PIPE	1
20	13150HF1600 VALVE ASSY,REED	1
21	13125HF1601 GASKET,REED VALVE	1
22	13126HF1601 GASKET,REED PIPE	1
23	SCREW,CARBURETOR(6*20)	2
23	09137H06021 SCREW,CARBURETOR(6*20)	1
23-1	09139H06021 SCREW, CARBURETOR	1
24	09103H10122 BOLT,ENGINE MOUNT(10*195)	1
25	08316-26108 NUT,ENGINE MOUNT(10)	1
26	11331HF1601PCC COVER,CRANK CASE L	1
27	02112-06408 SCREW,CRANK CASE COVER L(6*25)	1
28	02112-06208 SCREW,CRANK CASE COVER L(6*35)	2
29	09168-08008 GASKET,OIL LEVEL BOLT	1
30	01514-08128 BOLT,OIL LEVEL(8*12)	1
31	64231-07903 PIN,REAR BRAKE ANCHOR	1
32	04213-11169 KNOCK PIN	2

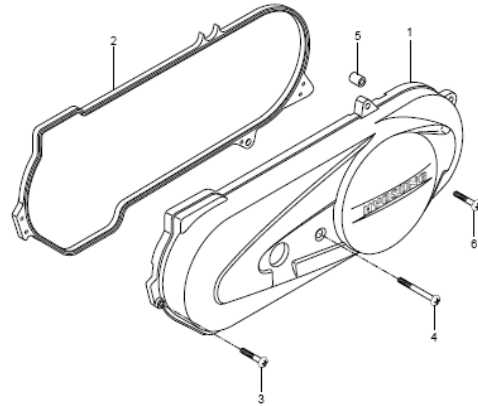
FIG.2



# FIG 3. CLUTCH

REF.	PARTS NAME	Q`TY	
NO.LAT01			
1	11340HF1601	COVER COMP,CLUTCH	1
2	11452HF1602	GASKET,CLUTCH COVER	1
3	02112-06255	SCREW,CLUTCH COVER(6*65)	3
4	02112-06605	SCREW,CLUTCH COVER(6*60)	1
5	09180H06013	SCREW,CLUTCH COVER(6*40)	1
6	02112-06405	SCREW, clutch cover(M6*40)	1

FIG.3



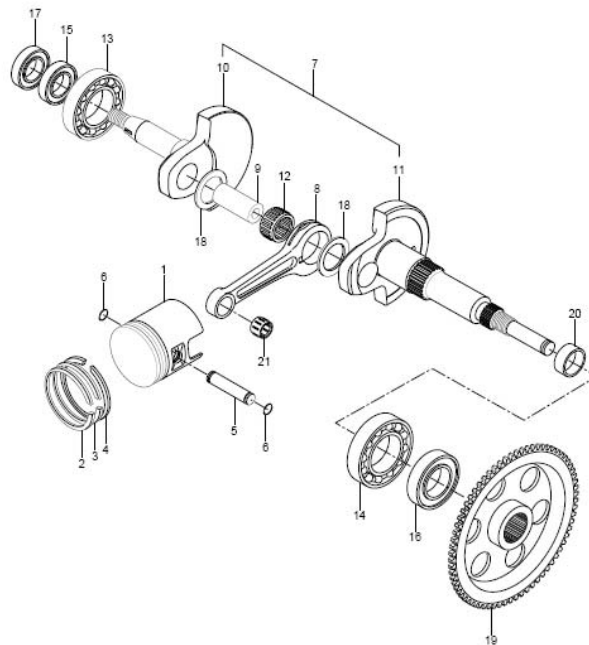
# FIG 4. CRANK SHAFT

REF. PARTS NAME Q'TY

NO.LAT01

1	12111H11200PSA	PISTON COMP	1
2	12141-35010	RING,PISTON 1ST	1
3	12142-29C10	RING,PISTON 2ND	1
4	12149-29C10	RING,PISTON EXPANDER	1
5	12151-46501	PIN,PISTON	1
6	09381-10006	CIRCLIP,PISTON PIN	2
7	12200H11200HPA	CRANK SHAFT ASSY	1
8	12161-37B02	ROD,CONNECTING	1
9	12211H11201888	PIN,CRANK	1
10	12221H11201CSA	CRANK SHAFT, R	1
11	12261H11A00CSA	CRANK SHAFT, L	1
12	09263H16004	BEARING,CRANK PIN(16*22*12)	1
13	09160H16040	THRUST WASHER	2
14	09262H250A2	BEARING,CRANK SHAFT,L(28*68*18)	1
15	09283-25083	OIL SEAL,CRANK SHAFT L,(25*37*6)	1
16	09283-25083	OIL SEAL,CRANK SHAFT R NO.2	1
17	09284-20051	OIL SEAL,CRANK SHAFT R NO.1(20*42*6)	1
18	09262H250A2	BEARING,CRANK SHAFT R(28*68*18)	1
19	12620H11A00	GEAR,STARTER DRIVEN	1
20	09180H18005	SPACER,CRANKSHAFT OIL SEAL	1
21	09263H10003	BEARING,PISTON PIN(10*14*12.5)	1

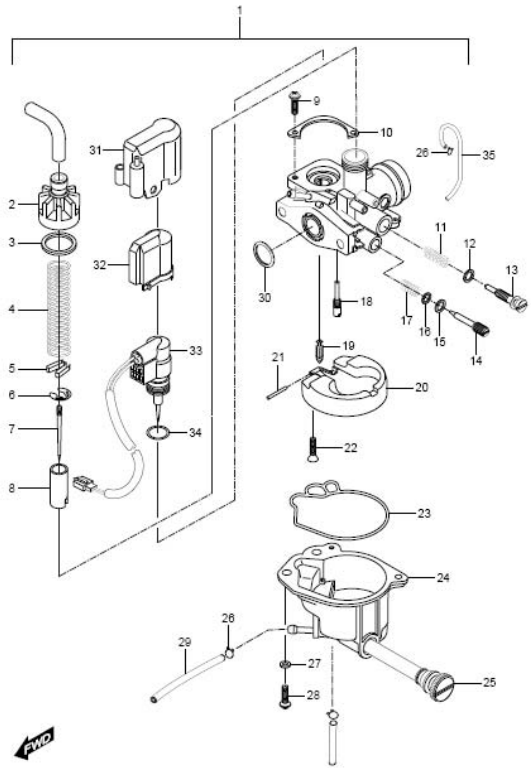
FIG.4



# FIG 5. CARBURETOR

REF.	PARTS NAME	Q'TY
NO.LAT01		
1	CARBURETOR ASSY	1
2	CAP,CARBURETOR TOP	1
3	GASKET, TOP COVER	1
4	SPRING, THROTTLE VALVE	1
5	CLIP	1
6	E-RING	1
7	NEEDLE JET	1
8	VALVE, THROTTLE	1
9	SCREW	2
10	RETAINER	1
11	SPRING	1
12	WASHER	1
13	SCREW, THROTTLE STOP	1
14	SCREW, PILOT AIR	1
15	WASHER	1
16	O-RING	1
17	SPRING	1
18	JET, PILOT	1
19	VALVE, NEEDLE	1
20	FLOAT	1
21	PIN, FLOAT	1
22	SCREW	1
23	GASKET, FLOAT BODY	1
24	BODY, FLOAT	1
25	SCREW, DRAIN	1
26	CLIP	2
27	WASHER	1
28	SCREW	2
29	HOSE	1
30	O-RING	1
31	CAP, HOLDER OUTER	1
32	CAP, HOLDER INNER	1
33	ELEMENT ASSY, THERMO	1
34	O-RING, ELEMENT THERMO	1
35	HOSE, AIR VENT	1

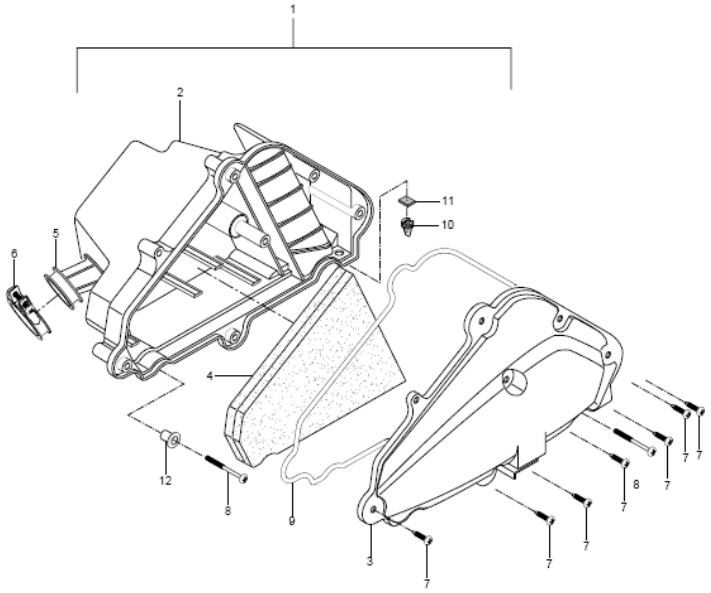
FIG.5



# FIG 6. AIR CLEANER

REF.	PARTS NAME	Q`TY
NO.LAT01		
1	CLEAER ASSY,AIR	1
2	CASE COMP,AIR CLEANER	1
3	CAP,AIR CLEANER	1
4	FILTER ASSY,AIR CLEANER	1
5-1	TUBE,OUTLET	1
6	CLAMP,OUTLET TUBE	1
7	SCREW,AIR CLEANER	5
8	SCREW	2
9	GASKET,AIR CLEANER	1
10	TUBE,DRAIN	1
11	FILTER,DRAIN	1
12	WASHER,AIR CLEANER CAP	2

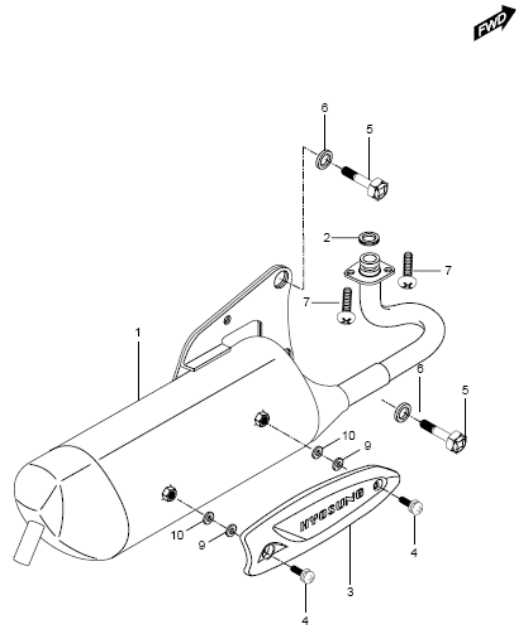
FIG.6



# FIG 7. MUFFLER

REF.	PARTS NAME	Q'TY
NO.LAT01		
1	14310HF1651PAM BODY COMP,MUFFLER	1
2	14181HG2600 GASKET,EXHAUST PIPE	1
3	14781HF1601 COVER,MUFFLER	1
4	02152-06128 SCREW,MUFFLER COVER(6*10)	2
5	09128-08001 BOLT,MUFFLER(8*20)	2
6	08322-21108 WASHER,MUFFLER	2
7	01137-06258 BOLT,exhaust pipe	2
7-1	01421-06208 STUD BOLT, CYL	2
8	09168-06010 GASKET,MUFFLER COVER	2
9	09160-06006 WASHER,MUFFLER COVER	2

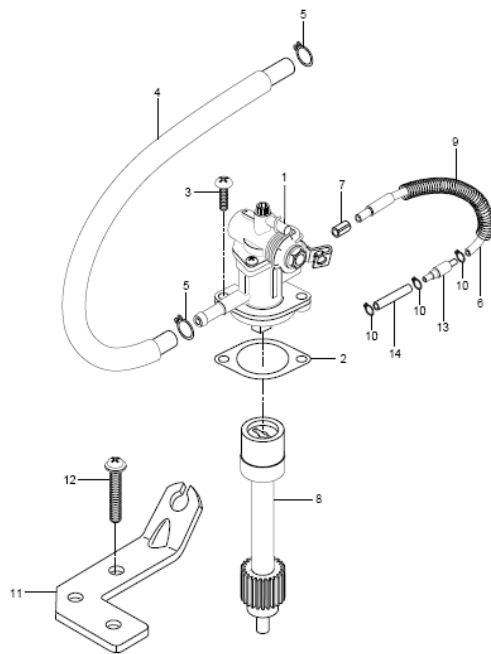
FIG.7



# FIG 8. OIL PUMP

REF.	PARTS NAME	Q`TY	
<b>NO.LAT01</b>			
1	16100HE1125	PUMP ASSY,OIL	1
2	16731H11202	GASKET,OIL PUMP	1
3	02112-35168	SCREW,OIL PUMP(5*16)	2
4	16821H11200	HOSE,OIL NO.1	1
5	09401-08401	CLIP,OIL HOSE NO.1	1
6	16831HE7102200	HOSE,OIL NO.2	1
7	09401-04401	CLIP	2
8	16331H11200	GEAR, OIL PUMP PINION(NT:30)	1
9	09440-13019	SPRING,OIL HOSE	1
10	09401-04401	CLIP,OIL HOSE NO.3	3
11	16630HB1100	BRACKET COMP,OIL PUMP	1
12	02112-06106	SCREW,OIL PUMPBRACKET(6*10)	2
13	16910HB1400	VALVE COMP,OIL HOSE NO.2 CHECK	1
14	16841HE1401	HOSE,OIL NO.3	1

FIG.8

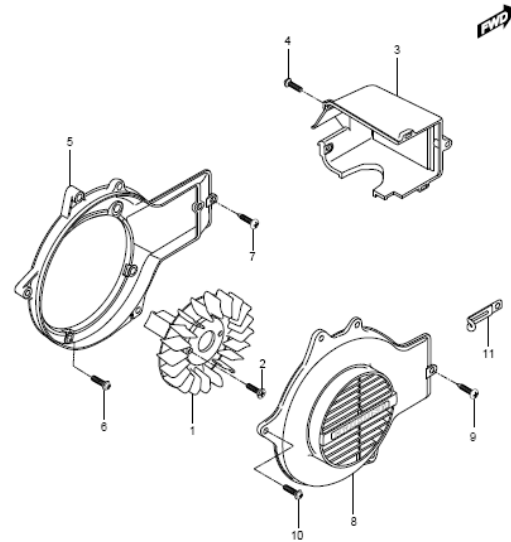




# FIG 9. COOLING FAN

REF.	PARTS NAME	Q`TY	
NO.LAT01			
1	17110H11200	FAN,COOLING	1
2	02112-06168	SCREW(6*12)	2
3	17120H11204	COWLING,CYLINDER	1
4	02112-96168	SCREW(6*12)	2
5	17140H11200	CASE,FAN	1
6	02152-06168	SCREW	4
7	03151-06205	SCREW(6*20)	1
8	17130H11200	COWLING COMP,FAN	1
9	03151-06205	SCREW(6*20)	3
10	03141-06305	SCREW(6*35)	2
11	09404-06401	CLAMP	1
12	17122H11200	CUSHION	1
13	17134-02900	SPACER	2

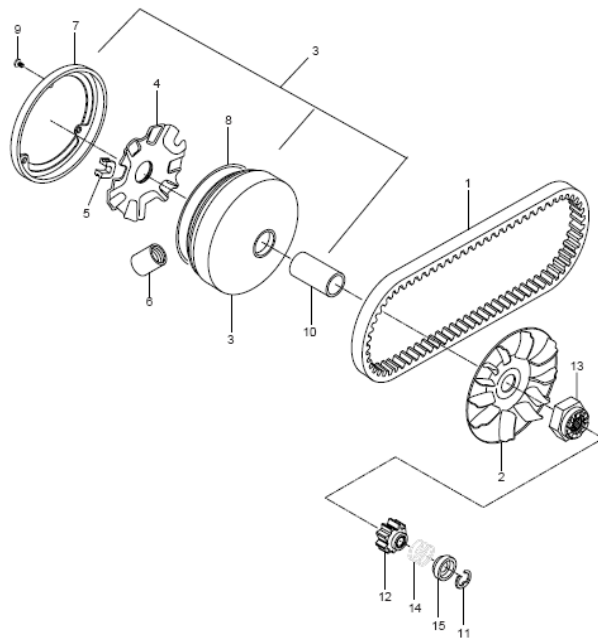
FIG.9



# FIG 10. TRANSMISSION(1)

REF.	PARTS NAME	Q`TY
NO.LAT01		
1	27601HB1100 V-BELT,DRIVE	1
2	21110H11A02 FACE COMP,FIXED DRIVE	1
3	21120-25E02HPA FACE COMP,MOVABLE DRIVE	1
4	21431H11A01 PLATE,MOVABLE DRIVE	1
5	21481-29C21 DAMPER,MOVABLE DRIVE FACE PLATE	3
6	21651S09E00HPA OUT MOVABLE DRIVE ROLLER	6
7	21122-37B01 COVER,MOVABLE DRIVE FACE	1
8	21127-25E00 RING,MOVABLE DRIVE	1
9	02142-04088 SCREW,MOVABLE DRIVE FACE(4*10)	3
10	09180-16041 SPACER,MOVABLE DRIVE	1
11	08332-11079 E-RING,KICK STARTER DRIVEN SPACER	1
12	26280-29C00 GEAR COMP,KICK STARTER DRIVEN(NT:9)	1
13	26282H11A00 NUT,KICK STARTER DRIVE(12)	1
14	09440H14007 SPRING,KICK STARTER DRIVEN	1
15	26283H11200 SPACER,KICK STARTER DRIVEN	1

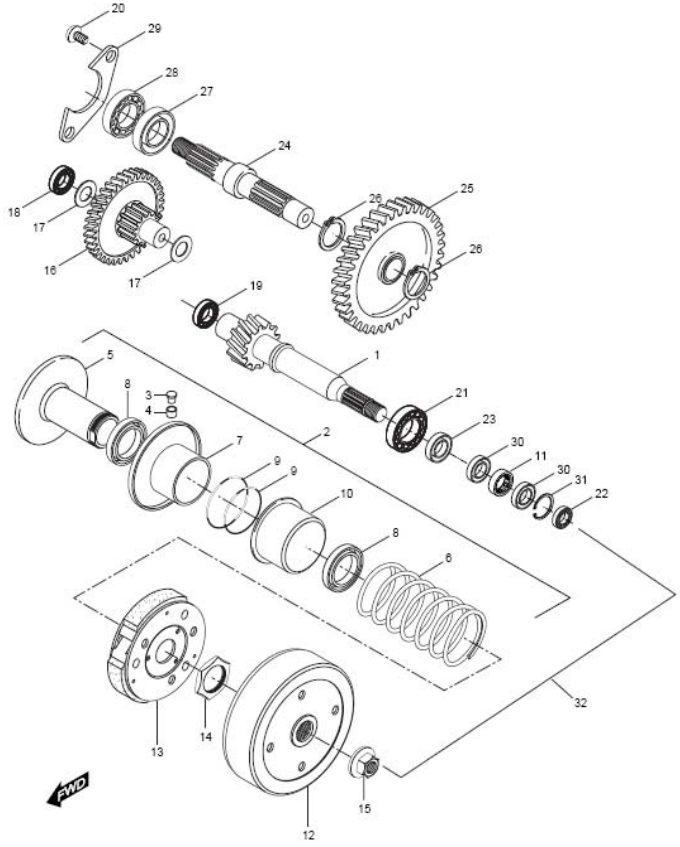
FIG.10



# FIG 11. TRANSMISSION(2)

REF.	PARTS NAME	Q`TY
NO.LAT01		
1	SHAFT,DRIVE(14T)	1
2	FACE SET, movable	1
3	PIN,MOVABLE DRIVEN	3
4	SPACER,MOVABLE DRIVEN PIN	3
5	FACE COMP,FIXED DRIVEN	1
6	SPRING	1
7	FACE COMP,MOVABLE DRIVEN	1
8	OIL SEAL,MOVABLE DRIVEN(34*39*4)	2
9	O-RING,MOVABLE DRIVEN(39*1.6)	2
10	SHEET,MOVABLE DRIVEN FACE	1
11	BEARING,FIXED DRIVEN R(17*25*10)	1
12	HOUSING,CLUTCH	1
13	CLUTCH ASSY,SHOE(NA)	1
14	NUT(M28)	1
15	NUT(M10)	1
16	24310H11A01HPA GEAR ASSY,COUNTER DRIVEN	1
17	09160-15034 THRUST WASHER,R	2
18	08113-62010 BEARING(2*32*10)	1
19	08113-62020 BEARING(15*35*11)	1
20	02122-06168 SCREW,RETAINER(6*7)	2
21	09262H17001 BEARING(17*47*14)	1
22	08120H69017 BEARING(12*24*6)	1
23	09283H17002 OIL SEAL(17*27*5)	1
24-1	24141HD2100 SHAFT,REAR AXLE	1
25	24331H11220 GEAR,FINAL(40T)	1
26	08331-31229 CIRCLIP	2
27	09283-27010 OIL SEAL(27*40*7)	1
28	08130-62047 BEARING(20*47*14)	1
29	24751H07900 RETAINER	1
30	09284H17002 OIL SEAL(16*25*4)	2
31	08331-41249 CIRCLIP	1
32	21200H37B00 PULLEY SET, DRIVEN	1

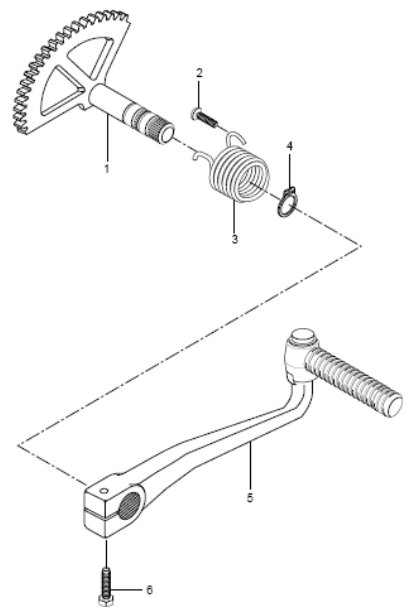
FIG.11



# FIG 12. KICK STARTER

REF.	PARTS NAME	Q`TY
NO.LAT01		
1	SHAFT COMP,KICK STARTER	1
2	SCREW(6*10)	1
3	SPRING	1
4	CIRCLIP	1
5	LEVER ASSY,KICK STARTER	1
6	BOLT,KICK STARTER LEVER(6*20)	1

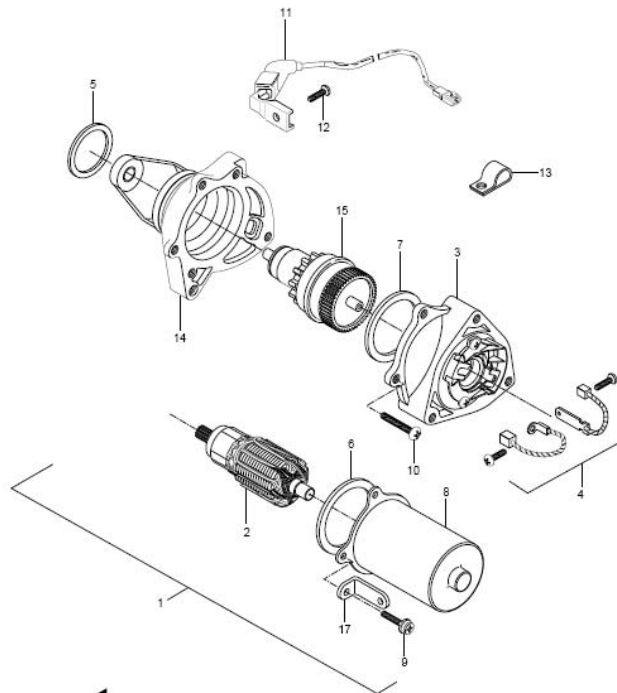
FIG.12



# FIG 13. STARTING MOTOR

REF.	PARTS NAME	Q'TY	
NO.LAT01			
1	31100H11A02	MOTOR ASSY,STARTING	1
2	31311H11200	AMATEUR	1
3	31130-02100	HOLDER ASSY,BRUSH	1
4	31131-02100	BRUSH SET	1
5	31156-02100	O-RING	1
6	31158-02540	GASKET	1
7	31158-02100	O-RING	1
8	31120HF1600	COVER,STARTING MOTOR	1
9	31151-02100	SCREW A(4*30)	3
10	31151-02540	SCREW B(4*14)	2
11	31151-02100	LEAD WIRE	1
12	31152-02540	SCREW	1
13	09404-06403	CLAMP	1
14	31132HF1600	HOLDER	1
15	31370H11200	PINION GEAR ASSY	1

FIG.13

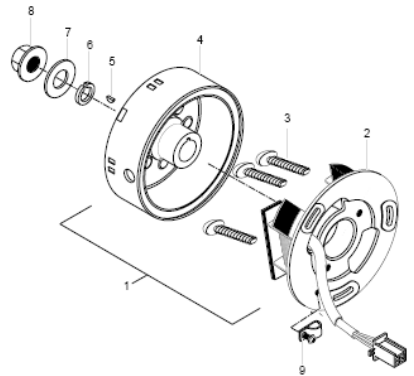


FWD

# FIG 14. MAGNETO

REF.	PARTS NAME	Q`TY	
NO.LAT01			
1	32100HG2680	MAGNETO ASSY	1
2	32101HG2670	STARTOR ASSY	1
3	09132H05128	SCREW,MAGNETO STARTER	3
4	32102H11A00	ROTOR ASSY	1
5	08341-31039	KEY,MAGNETO	1
6	08322-21108	WASHER	1
7	08321-31108	LOCK WASHER,MAGNETO	1
8	08316-26108	NUT,MAGNETO ROTOR(10)	1
9	09404-16404	CLAMP,MAGNETO LEAD WIRE	1

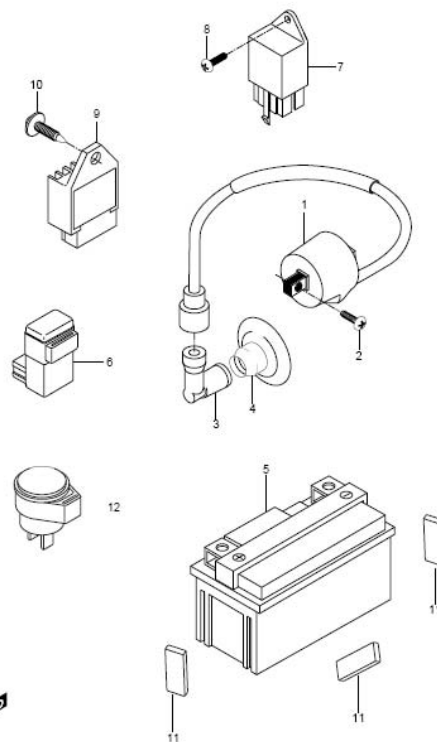
FIG.14



# FIG 15. ELECTRICAL

REF.	PARTS NAME	Q`TY	
NO.LAT01			
1	33410H11210	COIL ASSY,IGNITION	1
2	02112-46208	SCREW,IGNITION COIL(6*20)	2
3	33510H11200	CAP,SPARK PLUG	1
4	33543HG2600	BOOT,SPARK PLUG	1
5	33610-40B12	BATTERY	1
6	32900HF1660	C.D.I UNIT	1
7	31800H47A00	RELAY, starting motor	1
8	02142-06128	SCREW(6*12)	1
9	32800-36C20	RECTIFIER ASSY	1
10	02112-06168	SCREW(6*16)	3
11	33651H11A00	CUSHION,BATTERY	1
12-2	338610HF4400	RELAY, TURN SIGNAL	1

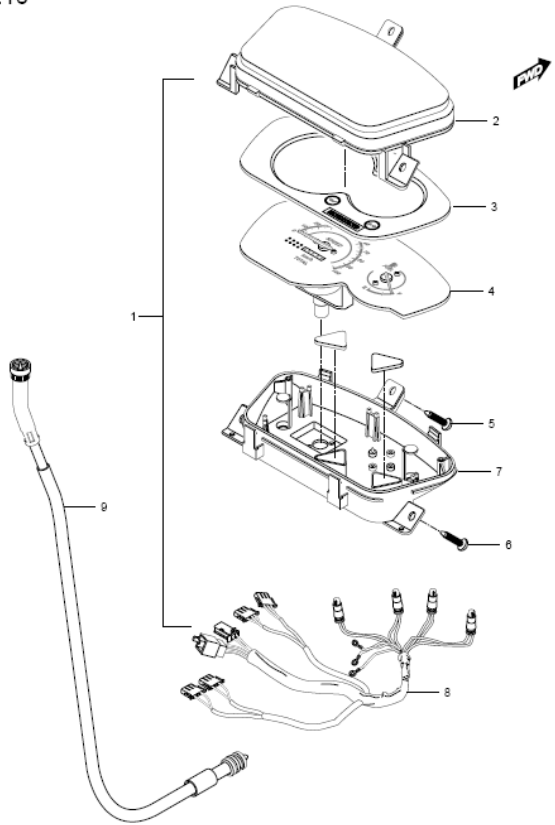
FIG.15



# FIG 16. SPEEDOMETER

REF.	PARTS NAME	Q'TY	
NO. LAT01			
1	34100HF1681	SPEEDOMETER ASSY	1
2	34150HF1600	WINDOW CASE N/A	1
3	34159HF1601	PLATE, window case	1
4	34112HF1601	DIAL	1
5	34160HF1601	CASE SUB	1
6	03241-05165	SCREW(M5*16)	1
7	03241-05206	SCREW(M5*20)	2
8	34170HF1601	WIRING ASS'Y	1
9	34910HB1101	CABLE ASS'Y, speedometer	1

FIG.16

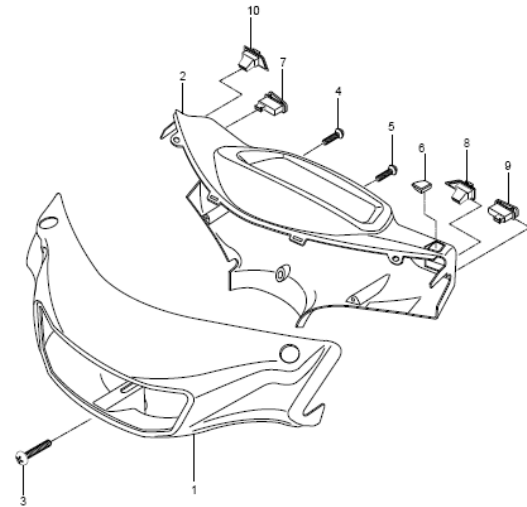




# FIG 17. HANDLE COVER

REF.	PARTS NAME	Q`TY
NO.LAT01		
1	56311HF1600 COVER, handle front(Color)	1
1-1	COVER, handle front(Color)	1
2	56321HF1601 COVER,HANDLE REAR	1
3	02142-05125 SCREW,HANDLE COVER F/T,R/R(5*12)	2
4	03241-05165 SCREW,HANDLE COVER R/R UPPER(5*16)	2
5	03241-04166 SCREW,HANDLE COVER RR SIDE(4*16)	2
6	37430HE6100 SWITCH ASS'Y DIMMER	1
6-1	56331HF1620 CAP, handle cover rear	1
7	37220HE6100 SWITCH ASS'Y START	1
8	37410HE6100 SWITCH ASS'Y TURN SIGNAL	1
9	37420HE6100 SWITCH ASS'Y HORN	1
10	37240HE6150 SWITCH ASS'Y LIGHTING	1

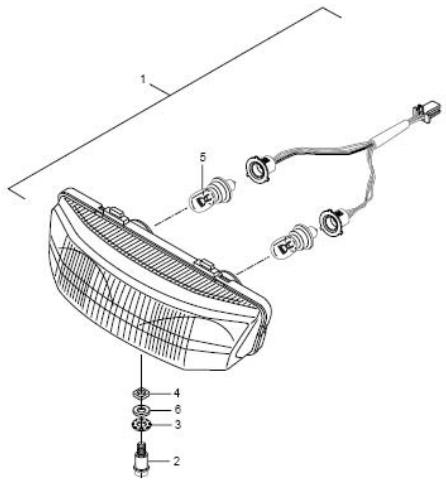
FIG.17



# FIG 18. HEAD LAMP

REF.	PARTS NAME	Q`TY
NO.LAT01		
1	35100HG1900 HEAD LAMP ASSY	1
2	35151H11200 BOLT,HEAD LAMP AIMING(4*11)	1
3	35128H11200 WASHER,HEAD LAMP AIMING	1
4	35135H11200 NUT,HEAD LAMP AIING	1
5	09471-12013 BULB,HEAD LAMP(12V 18/18W)	2
6	08322-21068 WASHER, head lamp aiming	1

FIG.18



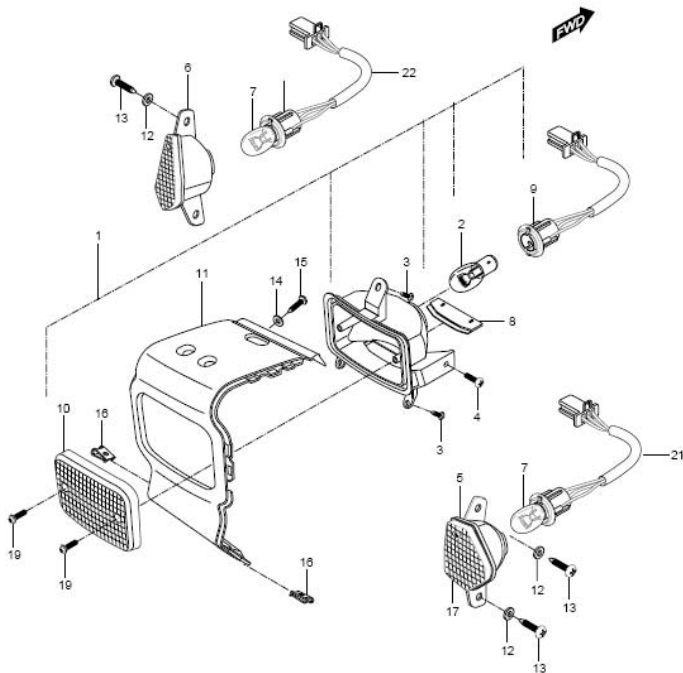
# FIG 19. REAR COMBINATION LAMP

REF. PARTS NAME Q'TY

NO.LAT01

1	35710HF1622	LAMP ASSY,REAR COMBINATION	1
2	09471-12008	BULB,STOP & TIAL LAMP(12V P21W)	1
3	03241-04166	SCREW,TAIL & STOP LAMP(4*12)	3
4	01517-06168	BOLT,TAIL & STOP LAMP(6*16)	2
5	35603HF1621	LAMP,REAR TURMISIGNAL R	1
6	35604HF1621	LAMP,REAR TURMISIGNAL L	1
7	09471-12003	BULB,REAR TUMISIGNAL(12V 10W)	2
8	35770HF1600	LICENSE LENS	1
9	35760HF1600	SOCKET & CORD ASSY	1
10	35712HF1600	LENS,TAIL STOP	1
11	47311HG2100	COVER,CENTER(COLOR)	1
12	35157-27263	WASHER	4
13	03241-04165	SCREW(4*16)	2
14	09169-06034	WASHER	2
15	02142-06165	SCREW(6*16)	2
16	09148-05020	SPRING NUT	2
17	35652HF1600	LENS, RR T/S R	1
18	35672HF1600	LENS, RR T/S L	1
19	03241-04126	SCREW(M4*12)	2
20	08322-21066	WASHER	2
21	35618HF1600	SOCKET & CORD ASS'Y, RR T/S R	1
22	35638HF1600	SOCKET & CORD ASS'Y, RR T/S L	1

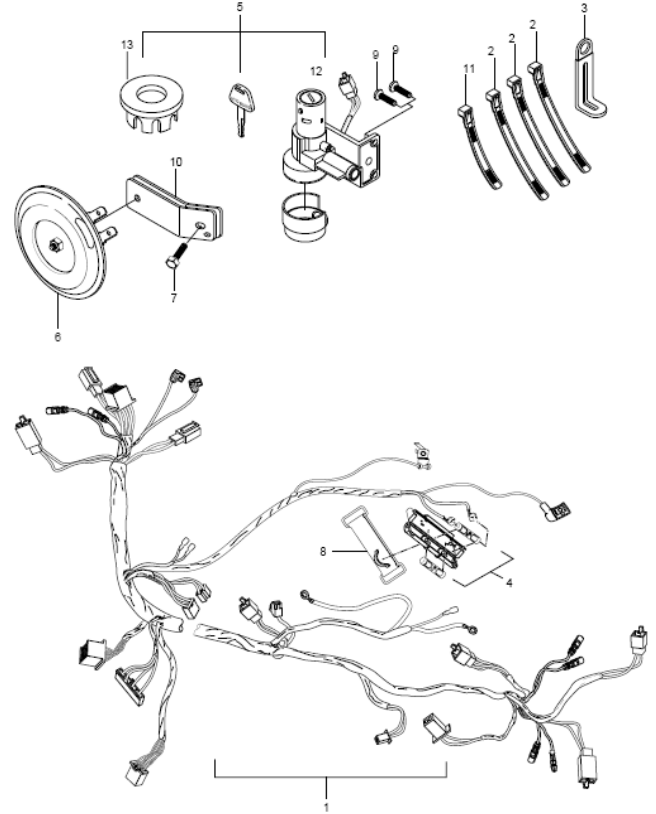
FIG.19



# FIG 20. WIRING HARNESS

REF.	PARTS NAME	Q`TY
NO.LAT01		
1	36610HF16C1	1
2	09407-14403	3
3	09404-06404	1
4	36740-350A0	1
5	37000HG1930	1
6	38500HG1900	1
7	02112-36128	2
8	33651H11200	1
9	09128-06040	1
10	38520HF1600	1
11	09407-22402	1
12	37100HB1430	1
13	37155HJ6130	1

FIG.20



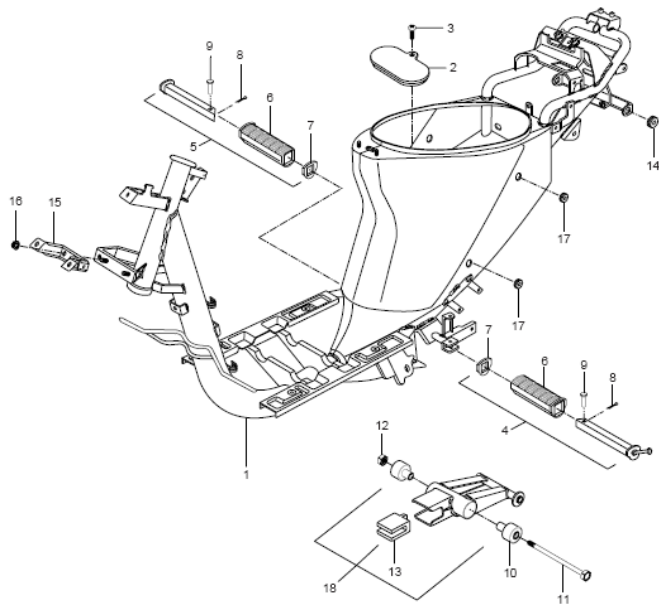
# FIG 21. FRAME

REF. PARTS NAME Q'TY

NO.LAT01

1	41100HG1900PAM	FRAME ASSY	1
2	41489H11201	COVER,FRAME BODY LOWER	1
3	02142-06128	SCREW,FRAME BODY LOWER COVER	1
4	43610HF1602F1	FOOTREST ASSY,PILLION	1
5	43620HF1602F2	FOOTREST ASSY,PILLION	1
6	43612HF1600	RUBBER,PILLION FOOTREST	2
7	43631HF1601	WASHER,PILLIONFOOTREST	2
8	04111-20208	COTTER PIN,PILLION FOOTREST	2
9	09200H06057	PIN,PILLION FOOTREST	2
10	09319H12025	BUSH,ENINE MOUNTING LINK	1
11	09103-12045	BOLT,ENGINE MOUNTING LINK(12*140)	1
12	08319-31126	NUT,ENGINE MOUNTING LINK(12)	1
13	61121H11201	CUSHION,ENGINE MOUNTING LINK	1
14	09320-08013	CUSHION	2
15	41530HG5900	PLATE, leg shield lower	1
16	08316-16068	NUT(M6)	2
17	09320-08013	CUSHION	4
18	61110S11202HPA	LINK,ENGINE MOUNTING	1

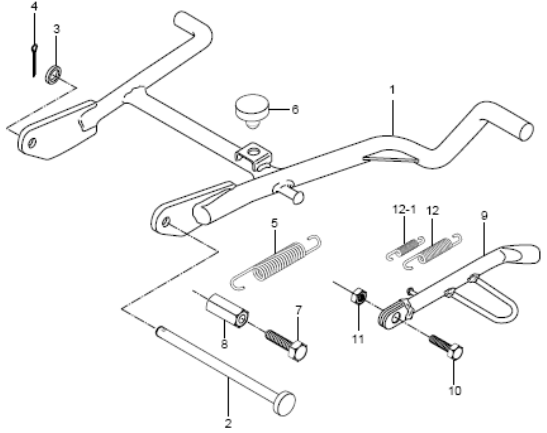
FIG.21



# FIG 22. STAND

REF.	PARTS NAME	Q`TY	
NO. LAT01			
1	42110HF1602	STAND COMP,CENTER	1
2	42211-41D00	SHAFT,CENTER STAND PIVOT	1
3	08322-21108	WASHER,CENTER STAND	1
4	09204-02003	COTTER PIN,CENTER STAND	1
5	09443-17005	SPRING,CENTER STAND	1
6	09321-10001	CUSHION,CENTER STAND	1
7	01104-06258	BOLT,CENTER STAND SPRING(6*25)	1
8	08310-11068	NUT,CENTER STAND SPRING	1
9	42310HG1901	STAND,PROP	1
10	09100-10131	BOLT,PROP STAND(10*33)	1
11	08313-11107	NUT,PROP STAND(10)	1
12	09443-14036	SPRING,PROP STAND(6*20)	1
12-1	09443-06001	SPRING,PROP STAND INNER	1

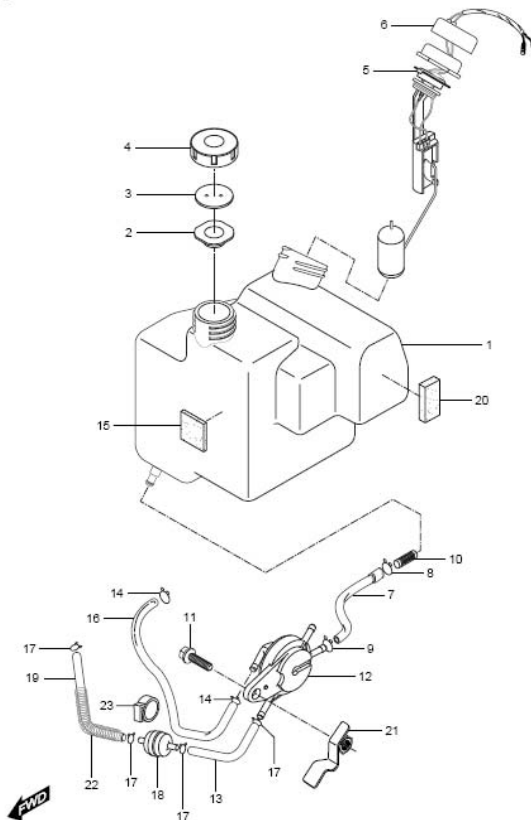
FIG.22



# FIG 23. FUEL TANK

REF.	PARTS NAME	Q'TY
NO.LAT01		
1	44100HF1601 TANK ASSY,FUEL	1
2	44241H11202 GASKET,FUEL TANK CAP NO.1	1
3	44261H11201 GASKET,FUEL TANK CAP NO.2	1
4	44200H11203 CAP SET,FUEL TANK	1
5	34810HF1600 GAUGE ASSY,FUEL LEVEL	1
6	44587H11200 CAP,FUEL LEVEL GAUGE	1
7	44199HF1600 HOSE,FUEL INLET(L=100)	1
8	09401H11401 CLIP,FUEL INLET NO.1	1
9	09401-10401 CLIP,FUEL INLET NO.2	1
10	44322HF1600 FILTER,FUEL	1
11	01517-06208 BOLT,FUEL COCK(6*20)	1
12	44300HE7100 COCK ASSY,FUEL	1
13	44196H11A02 HOSE,FUEL OUTLET NO.1(L=40)	1
14	09401-10401 CLIP,VACUUM HOSE	2
15	44281-29C00 PROTECT,FUEL TANK	7
16	09352-50823270 HOSE,VACUUM	1
17	09401-08401 CLIP,FUEL OUTLET HOSE	4
18	44910HG2600 STANINER COMP,FUEL	1
19	44197HB1100 HOSE,FUEL OUTLET NO.2(L=170)	1
20	44215HF1601 CUSHION,FUEL TANK	3
21	44921HF1600 PLATE,STRAINER	1
22	09440-10019 SPRING,FUEL LUTLET HOSE NO.2	1

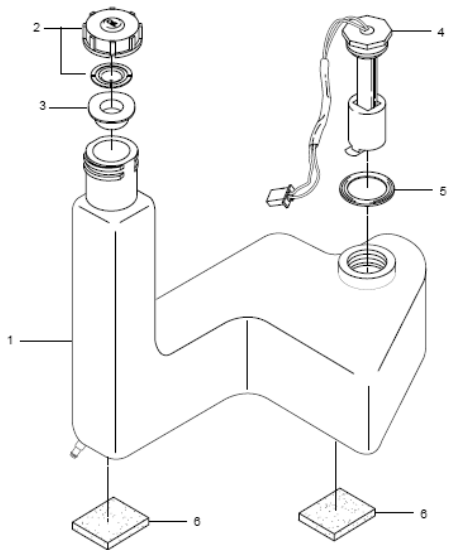
FIG.23



# FIG 24. OIL TANK

REF.	PARTS NAME	Q'TY
NO.LAT01		
1	44610HF1601 TANK SET,OIL	1
2	44651H11200 CAP,OIL TANK	1
3	44662-350A1 GASKET,OIL TANK CAP NO.2	1
4	37880HF1602 SWITCH ASSY,OIL LEVEL	1
5	44643-31000 GASKET,OIL LEVEL SWITCH	1
6	44281-29C00 PROTECTO,OIL TANK	2

FIG.24

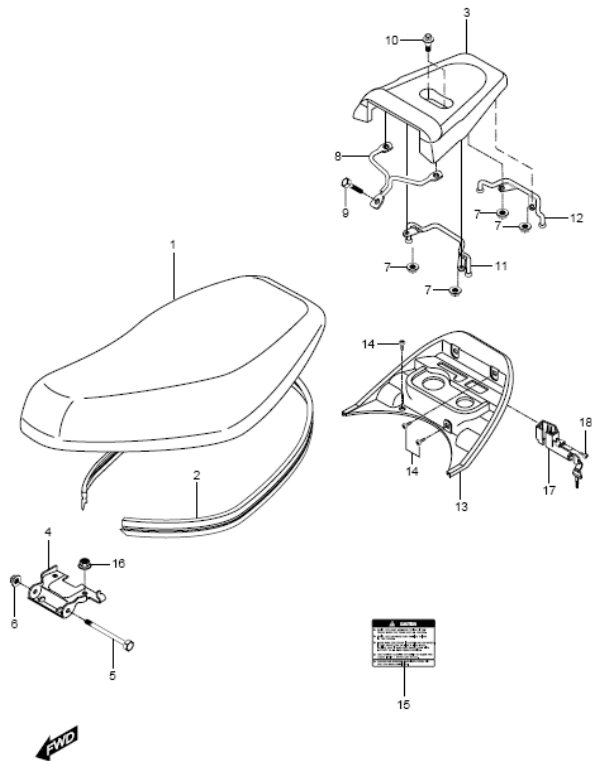




# FIG 25. SEAT

REF.	PARTS NAME	Q`TY
NO.LAT01		
1	45100HF1603 SEAT SET	1
2	45211H11200 MOULDING,SEAT	1
3	46410HF1600121 CARRIER COMP,REAR	1
4	45284H11203 BRACKET,SEAT SUPPORT LOWER	1
5	45215-39C01 BOLT,SEAT BRACKET(6*62)	1
6	08310-11068 NUT,SEAT BRACKET(6)	1
7	08316-26066 NUT,REAR CARRIER HOOK	4
8	46420HF1601 BRACKET COMP,REAR CARRIER	1
9	01517-06205 BOLT,REAR CARRIER FRONT(6*20)	1
10	09111H06E06 BOLT,REAR CARRIER REAR(6*18.5)	2
11	46440HF1602 HOOK COMP,REAR CARRIER NO.1	1
12	46450HF1600 HOOK COMP,REAR CARRIER NO.2	1
13	47181HF1601 COVER,FRAME UPPER	1
14	02142-05125 SCREW(6*10)	4
15	LABEL,CAUTION NO.2	1
15-1	68332H11B10 LABEL,CAUTION NO.2	1
16	08316-26066 NUT,SEAT SUPPORT BRACKET(6)	2
17	45700HF1610 LOCK ASSY,SEAT	1
18	02112-06168 SCREW,SEAT LOCK(6*16)	2

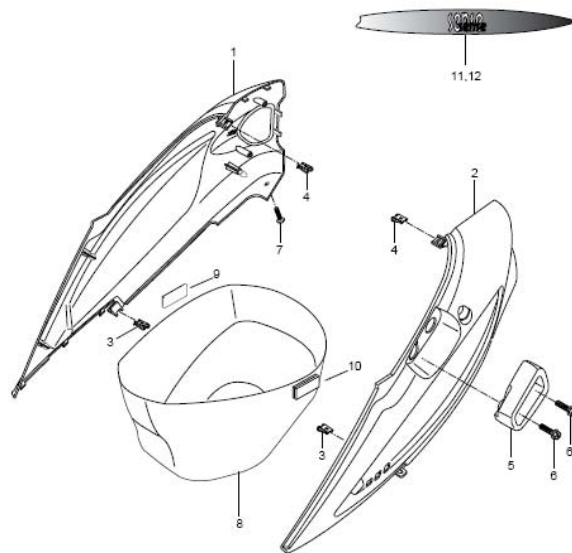
FIG.25



# FIG 26. SIDE COVER

REF.	PARTS NAME	Q`TY	
NO.LAT01			
1	47111HF1600	SIDE COVER, R(COLOR)	1
2	47211HF1600	SIDE COVER, L(COLOR)	1
3	09148-05020	NUT,SIDE COVER FRONT & LEG SIDE	2
4	09148-05020	NUT,SIDE COVER REAR & CENTER	2
5	47510HF1600	GRIP COMP,HANDLE LH	1
6	01517-06205	BOLT,HANDLE LH	2
7	03241-05125	SCREW,FRAME UPPER(5*12)	6
8	92211H11200	COVER,HELMET	1
9	92221H11201	GUIDE,HELMET COVER R	1
10	92321H11201	GUIDE,HELMET COVER L	1
11	68134HF1610	TAPE,SIDE COVER R(PR,LB,MY)	1
12	68136HF1610	TAPE,SIDE COVER L(PR,LB,MY)	1

FIG.26



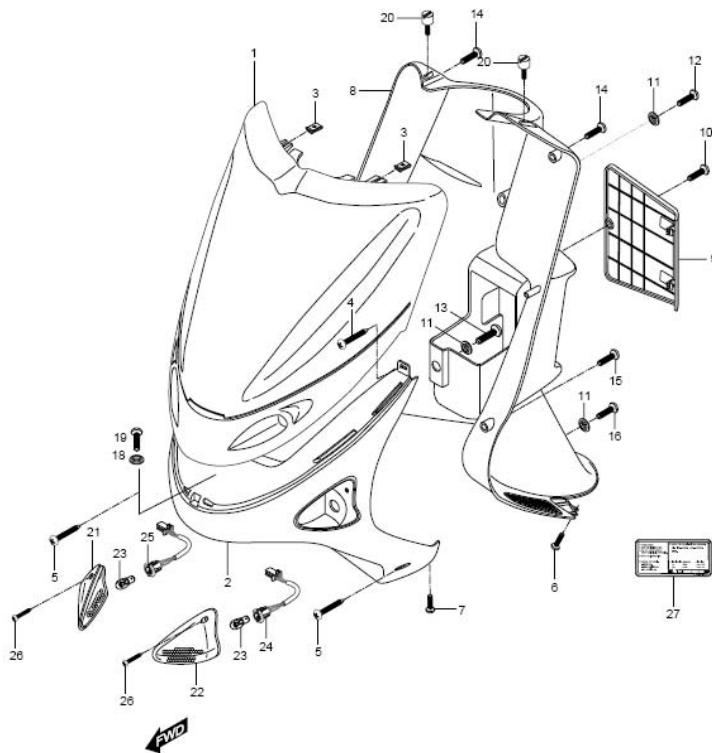
# FIG 27. FRONT LEG SHIELD

REF. PARTS NAME Q'TY

NO.LAT01

1	48111HE3100	LEG SHIELD,FRONT(COLOR)	1
2	48137HF3400	LEG SHIELD,LOWER	1
3	09148-04024	NUT,LEG SHIELD FRONT & COVER	2
4	03241-05168	SCREW,LEG SHIELD LOWER & COVER(5*16)	2
5	03241-04256	SCREW,LEG SHIELD LOWER & COVER(4*25)	2
6	03241-05165	SCREW,LEG SHIELD COVER & REAR(5*16)	2
7	03241-04168	SCREW,LEG SHIELD COVER & REAR(4*16)	2
8	92111HE3100	COVER,LEG SHIELD	1
9	92112HE3100	COVER,BATTERY	1
10	02112-05125	SCREW,BATTERY COVER(5*12)	1
11	09169-06034	WASHER,LEG SHIELD COVER	3
12	02142-06165	SCREW,LEG SHIELD COVER(6*16)	1
13	02142-06125	SCREW,LEGSHIELD COVER FRONT(6*12)	1
14	03241-05165	SCREW,LEG COVER & F/T LOWER(5*16)	2
15	03241-05165	SCREW,LEG COVER & LOWER UPPER(5*16)	2
16	03241-05165	SCREW,LEG COVER & LOWER LOWER(5*16)	2
17	68210HF1610	TAPE, LEG SHIELD FRONT(COLOR)	1
18	09169-06034	WASHER	2
19	02142-06128	SCREW(6*12)	2
20	92510HF1600	KNOB COMP,COVER LEG SHIELD	2
21	35612HF1620	LENS,FRONT TURNSIGNAL R	1
22-1	35632HF1620	LENS,FRONT TURNSIGNAL L	1
23	09471-12114	BULB,FRONT TURNSIGNAL(12V 10W)	2
26	03211-04165	SCREW,FRONT TURNSIGNAL LAMP(4*16)	4
27	68319HF1610	LEBEL,CAUTION NO.1	1

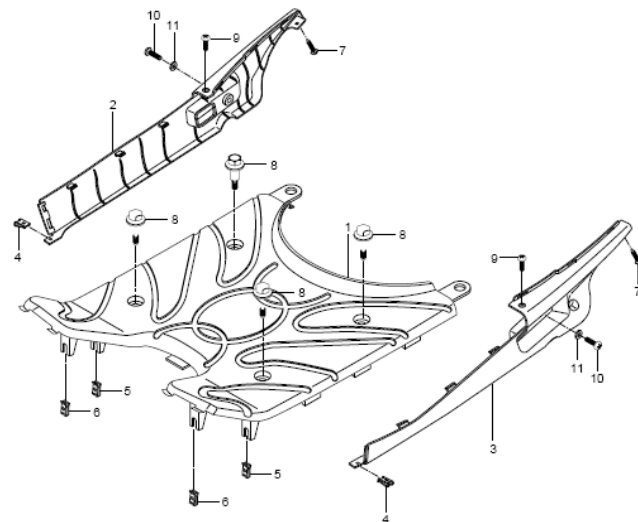
FIG.27



# FIG 28. REAR LEG SHIELD

REF.	PARTS NAME	Q'TY	
NO.LAT01			
1	48121HF1601	LEG SHIELD,REAR	1
2	48285HF1600	SIDE LEG SHIELD, R	1
3	48286HF1601	SIDE LEG SHIELD, L	1
4	09148-04024	NUT,LEG SHIELD SIDE & LOWER	2
5	09148-04024	NUT,LEG SHIELD REAR & LOWER	2
6	09148-05020	NUT,LEGSHIELD REAR & COVER	2
7	02142-06125	SCREW,LEG SHIELD SIDE UPPER(6*16)	2
8	09111H06E06	BOLT,REAR LEGSHIELD(6*18.5)	4
9	03241-05165	SCREW,LEG SHIELD SIDE LOWER(5*15)	2
10	02142-06125	BOLT,LEG SHIEL SIDE LOWER(6*12)	2
11	09169-06034	WASHER,LEG SHIELD SIDE	2

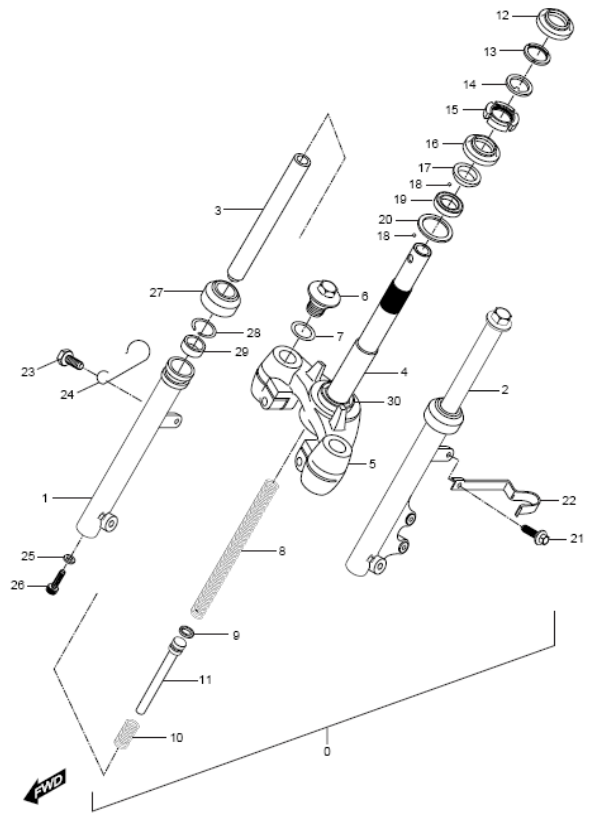
FIG.28



# FIG29. FRONT FORK

REF.	PARTS NAME	Q'TY
NO.LAT01		
0	51100HB1300HPA FORK ASS'Y FRONT	1
1	51210HB1300 FORK COMP, FRONT R	1
2	51220HB1300 FORK COMP, FRONT L	1
3	51111H11A00 FORK,PIPE	2
4	51400HB1100 STEM,COMP STEERING	1
5	51211H11A01 UNDER BRACKET ASSY	1
6	51351H11A00 FORK BOLT	2
7	51181H11A00 O-RING,FORK BOLT	2
8	51171H11A00 SPRING	2
9	51196H11A00 PISTON RING	2
10	51177H11A00 REBOUND SPRING	2
11	51146H11A00 PIPE SEAT	2
12	36618-02100 COVER,STEERING STEM LOCK	1
13	51632-02400 NUT,STEERING STEM LOCK	1
14	09166-26001 WASHER,STEERING STEM OCK	1
15	51631-28000 NUT,STEERING STEM	1
16	51643-25001 DUST SEAL,STEERING UPPER	1
17	51621-28000 RACE,STEERING OUTER UPPER	1
18	06111-06004 BALL,STEERING STEEL	47
19	51611-20002 BALL,STEERING INNER UPPER	1
20	51612-04000 RACE STEERING INNER LOWER	1
21	01174-06168 BOLT,BK HOSE CLAMP(M6*16)	1
22	59268H11A00 CLAMP,BRAKE HOSE	1
23	01174-06168 BOLT,SPEEDOMETER CABLE GUIDE	1
24	51418H11A00 GUIDE,SPEEDOMETER CABLE	1
25	51148H11A00 PACKING	2
26	51147H11A00 SOCKET, BOLT	2
27	51173H11A00 DUST BOOT	2
28	51156H11A00 STOPPER RING,OIL SEAL	2
29	51153H11A00 OIL SEAL,FRONT FORK	2
30	51622-04000 RACE STEERING OUTER LOWER	1

FIG.29

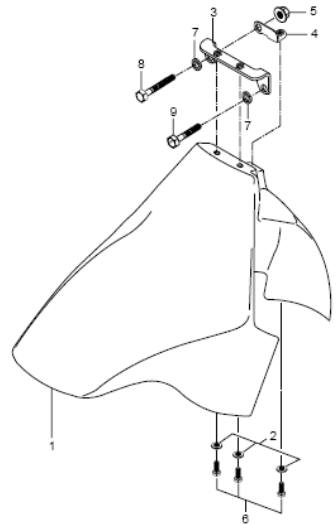


# FIG 30. FORNT FENDER

REF. PARTS NAME Q'TY  
 NO.LAT01

1	53111HG1700	FENDER,FRONT(COLOR)	1
2	09169-06034	WASHER,FRONT FENDER	3
3	53121H11A00	PLATE,FRONT FENDER	1
4	53122H11A20	PLATE,FRONT FENDER REAR	1
5	08316-16088	NUT,FRONT FENDER PLATE(8)	1
6	01104-06168	BOLT(6*16)	3
7	08321-31086	WASHER	2
8	09100H08001	BOLT,FRONT FENDER PLATE(8*50)	1
9	09100H08260	BOLT,FRONT FENDER PLATE(8*32)	1

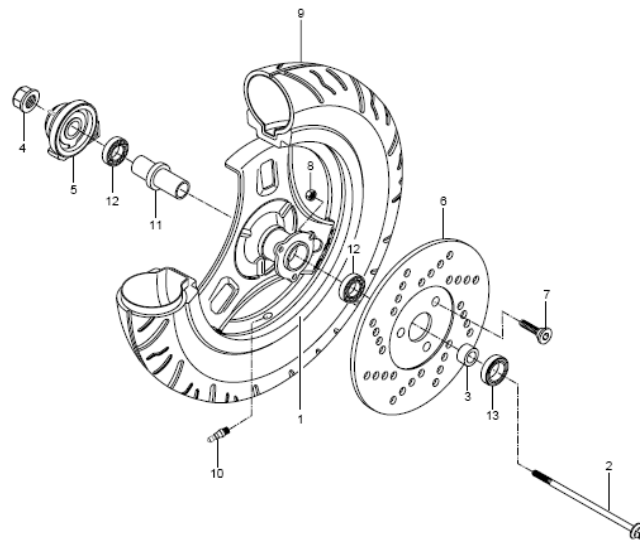
FIG.30



# FIG 31. FRONT WHEEL

REF.	PARTS NAME	Q`TY
NO.LAT01		
1	54140H41D0003R WHEEL COMP,FRONT(2.15*10DC)SILVER	1
2	54711H11A00 AXLE,FRONT(10*178.5)	1
3	54741-29C00 SPACER,FRONT AXLE L	1
4	08319-31108 NUT,FRONT AXLE(10)	1
5	54600-28B00 BOX ASSY,SPEEDOMETER GEAR	1
6	59211-29C10 DISK,FRONT BRAKE	1
7	59421-03A01 BOLT,FRONT BRAKE DISK(8*15.5)	3
8	08319-21088 NUT,FRONT BRAKE DISK(8)	3
9	65100HF1601 TIRE SET,FRONT(100/80-10 53J)	1
10	55220-29C20 VALVE ASSY,WHEEL RIM	1
11	54730-41D00 SPACER,FRONT WHEEL	1
12	08123-62007 BEARING,FRONT WHEEL(#6200)	2
13	09285-16002 DUST SEAL,FRONT HUB BEARING L	1

FIG.31

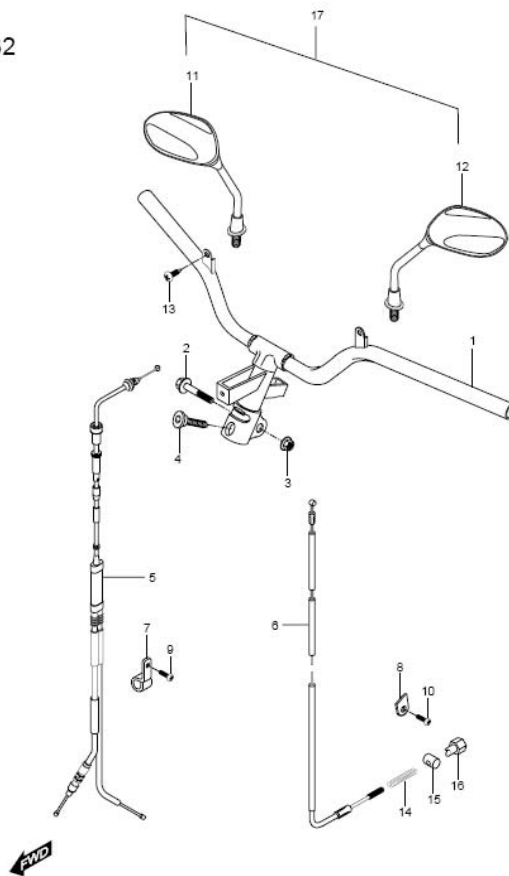


FWD

# FIG 32. HANDLE BAR

REF.	PARTS NAME	Q`TY
NO.LAT01		
1	56110HF1601 HANDLE BAR COMP	1
2	09103-10055 BOLT,HANDLE BAR(10*40)	1
3	08319-31108 NUT,HANDLE BAR	1
4	56123-29C00 BOLT,HANDLE BAR(8*30)	1
5	58300HF1600 CABLE ASSY,THROTTLE	1
6	58510H11A00 CABLE COMP,REARBRAKE	1
7	09403-09301 GUIDE,CABLE	1
8	58591H11A00 PLATE,REAR BRAKE CABLE	1
9	01134-06208 BOLT,REAR BRAKE CABLE PLATE(6*20)	1
10	01134-06128 BOLT,CABLE GUIDE	1
11	56500HF1602 MIRROR ASSY,REAR VIEW R	1
12	56600HF1602 MIRROR ASSY,REAR VIEW L	1
13	03241-05165 SCREW(5*16)	2
14	09440H06013 SPRING	1
15	09209H11005 LEVER PIN	1
16	09150-01501 ADJUST NUT,REAR BRAKE	1
17	56501HF1602 MIRROR SET	1

FIG.32

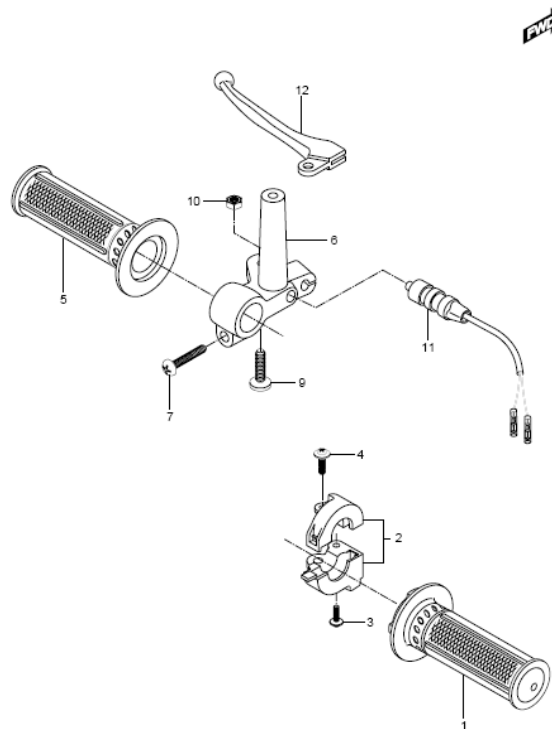




# FIG 33. HANDLE SWITCH

REF.	PARTS NAME	Q'TY	
NO. LAT01			
1	57110HE7101	GRIP COMP, THROTTLE	1
2	57100-29C00	CASE ASSY, THROTTLE	1
3	02112-05208	SCREW, THROTTLE CASE(5*20)	1
4	09136-05040	SCREW, THROTTLE CASE(5*16)	1
5	57211HE7101	GRIP, L	1
6	57511HE7100	HOLDER, BRAKE LEVER	1
7	02112-06208	SCREW HOLDER(6*20)	1
8	57421-03A11	LEVER, BRAKE	1
9	02112-05258	SCREW, BRAKE LEVER PIVOT(5*25)	1
10	08319-21058	NUT, BRAKE LEVER PIVOT	1
11	57460H11200	SWITCH ASSY, STOP LAMP	1
12	57500HE7101	BRAKE LEVER REAR & SWITCH ASS'Y	1

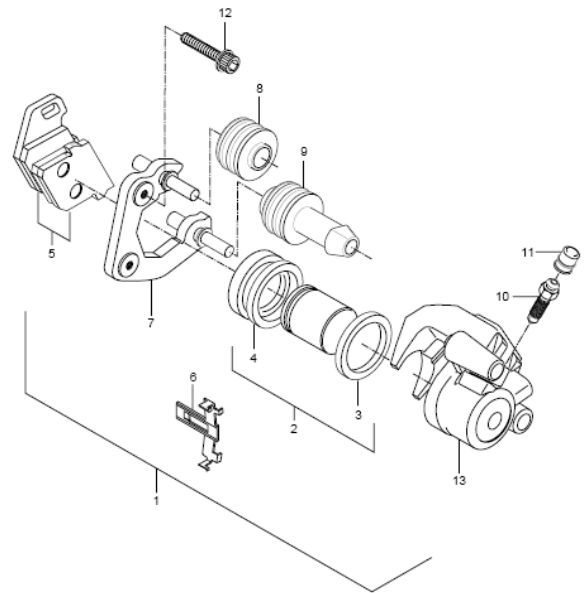
FIG.33



# FIG 34. CALIPER

REF.	PARTS NAME	Q'TY
NO.LAT01		
1	59300-03A3090U CALIPER ASSY,FRONT	1
2	59300-03810 PISTON SET	1
3	59170-03A00 SEAL	1
4	59308-03A00 BOOT	1
5	59300-03860 PAD SET,CALIPER	1
6	59315-36500 SPRING	1
7	59313-36A00 CARRIER,LH	1
8	59312-36500 BOOT	1
9	59313-36500 INSULATOR	1
10	59121-18410 BLEEDER	1
11	59122H18420 CAP	1
12	07120-08208 BOLT,CALIPER	2
13	59360-03A30 HOUSING,CALIPER	1

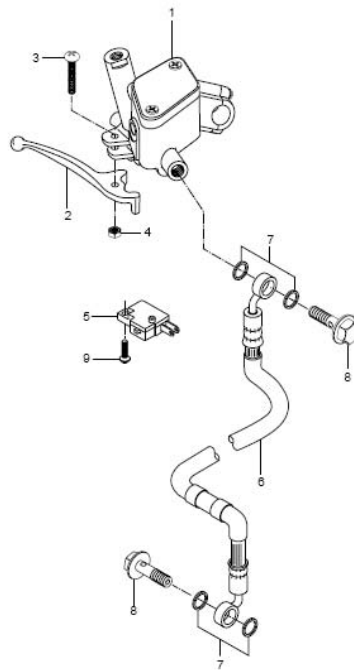
FIG.34



# FIG 35. FRONT MASTER CYLINDER

REF.	PARTS NAME	Q`TY	
NO.LAT01			
1	59600HE7102	CYLINDER ASSY,FRONT MASTER	1
2	57300-29C10	LEVER,BRAKE	1
3	57431-13010	SCREW,BRAKE LEVER PIVOT	1
4	08319-21065	NUT(6)	1
5	57460-17C00	SWITCH ASSY,STOP	1
6	59480H11A03	HOSE COMP,FRONT BRAKE	1
7	09161-10005	WASHER(10*15*1.5)	4
8	09360-10039	BOLT,BRAKE FLUID(10*22)	2
9	02112-74108	SCREW(4*10)	1

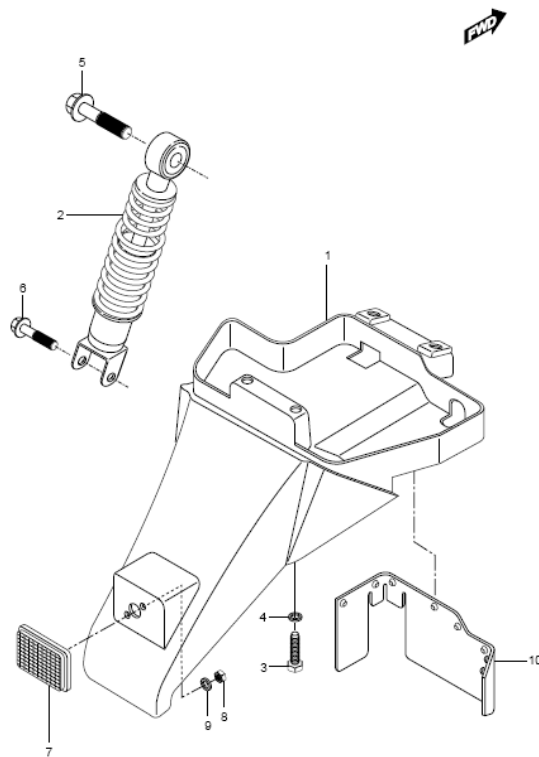
FIG.35



# FIG 36. REAR FENDER

REF.	PARTS NAME	Q'TY	
NO.LAT01			
1	63111HF1601	REAR FENDER,REAR	1
2	62100HB1400	SHOCK ABSORBER,REAR(6*16)	1
3	01104-06168	BOLT,REAR FENDER REAR	4
4	09169-06034	WASHER	4
5	61181-02C00	BOLT,REAR SHOCK ABSORBER UPPER(L=40)	1
6	09103-10019	BOLT,REAR SHOCK ABSORBER LOWER(L=37)	1
7	35970-24063	REFLEX REFLECTOR	1
8	08316-26055	NUT(5)	1
9	56275-34400	WASHER	1
10	63115HF1602	MUD GUARD, REAR FENDER REAR	1

FIG.36



# FIG 37. REAR WHEEL

REF.	PARTS NAME	Q`TY
NO.LAT01		
1	64140H1122003R WHEEL COMP,REAR(2.50*10DC)	1
1-1	64140H1122003P WHEEL COMP,REAR(2.50*10DC)	1
2	64123H11A00 RUBBER,BRAKE DRUM	1
3	65100HF1601 TIRE SET,REAR(100/80-10 53J)	1
4	55220-29C20 VLAVE ASSY,WHEEL RIM	1
5	64441H11201 CAM,REAR BRAKE	1
6	64451-02111 LEVER,REAR BRAKE CAM	1
7	64400HG2600 SHOE SET,REAR BRAKE	1
8	09443H08025 SPRING,BRAKE SHOE	2
9	12812-30A00 BOLT,REAR BRAKE CAM LEVER(6*34)	1
10	08316-16068 NUT,REAR BRAKE CAM LEVER(6)	1
11	09160-16025 WASHER,REAR AXLE	1
12	08319-21168 NUT,REAR AXLE(16)	1
13	63112HF1601 REAR FENDER,FRONT	1
14	02142-06165 SCREW,REAR FENDER PLATE & MUFF(6*16)	1
15	09148-04024 NUT,REAR FENDER FRONT R	1
16	02112-06165 SCREW,REAR FENDER FRONT(6*16)	1
17	63113HF1601 PLATE,REAR FENDER FRONT	1
18	03241-04168 SCREW,REAR FENDER PLATE & FENDER(4*16)	1

FIG.37

