



**HYOSUNG**  
MOTORS & MACHINERY INC.

## **REFERENCE**

1.The detailed specifications of each model are referred by the persons who are in charge of overseas marketing team, Hyosung.

2.Special demand

When you order any colored parts, please add color code to the end of parts number and it will be helpful to register your parts order.

**※ Color code**

**CDB : DEEP BLUE**

**CMY : MABLE SCIENCE YELLOW**

**CPR : PEARL CANDY RED**

**CVR : PEARL VIOLET RED**

**CSS : STARDUST SILVER METALLIC**

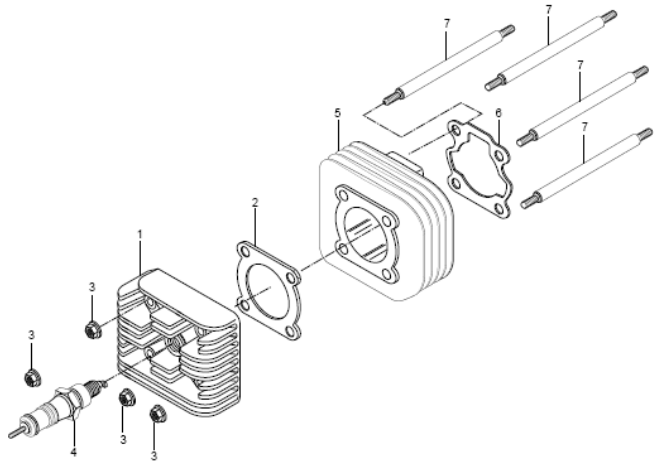
**CBB : BLUSHI BLACK**

**HYOSUNG**

# FIG 1. CYLINDER

REF.	PARTS NAME	Q`TY	
1	11111HF1651	CYLINDER HEAD	1
2	11141-02110	GASKET,CYLINDE HEAD	1
3	08316-16068	NUT,CYLINDER HEAD(6)	4
4	09482-01059	SPARK PLUG(BP6HS)	1
5	11211HG2602PCY	CYLINDER	1
6	11241HF1602	GASKET,CYLINDER	1
7	01421-06858	STUD BOLT,CYLINDER(6*85)	4

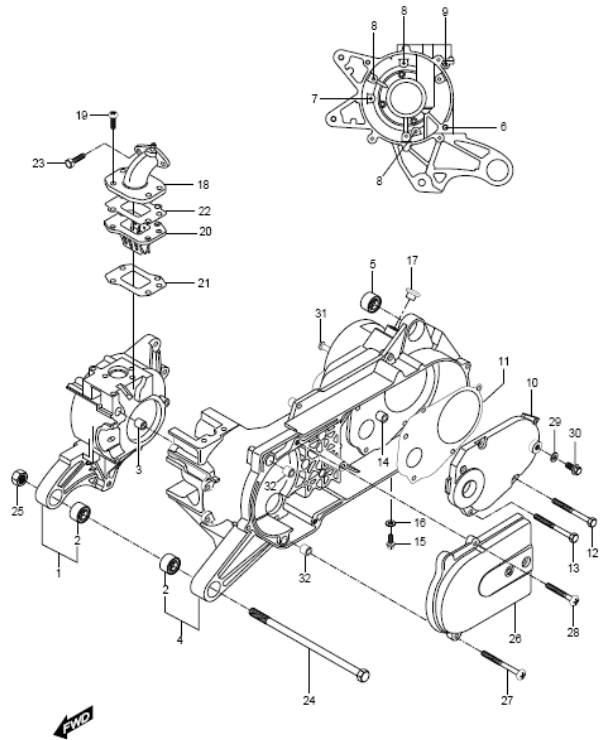
FIG.1



# FIG 2. CRANK CASE

REF.	PARTS NAME	Q'TY
NO.LAT01		
1	11310H11207HPA CRANK CASE,R	1
2	09319-10027 BUSH,ENGINE MOUNTING	2
3	04213-09129 KNOCK PIN,CRANK CASE	2
4	11320HF1603HPA CRANK CASE,L	1
5	09319-10032 BUSH,R/R SHOCK ABSORBER	1
6	02112-06508 SCREW,CRANK CASE(6*50)	1
7	02112-06458 SCREW,CRANK CASE(6*45)	1
8	02112-06408 SCREW,CRANK CASE(6*40)	2
9	02112-06558 SCREW,CRANK CASE(6*55)	1
10	11431SD2100HPA COVER,GEAR BOX ASS'Y	1
10-1	11431HD2100PCR COVER, GEAR BOX	1
11	11484H11203 GASKET,GEAR BOX COVER	1
12	01547-06208 BOLT,GEAR BOX COVER(6*20)	4
13	01547-06308 BOLT,GEAR BOX COVER(6*30)	2
14	04213-09129 KNOCK PIN,GEAR BOX COVER	2
15	09247-100A8 PLUG,OIL DRAIN	1
16	09168H10003 GASKET,OIL DRAIN BOLT	1
17	09250H11005 PLUG,OIL FILLER	1
18	13110HF1602 PIPE COMP.INTAKE	1
19	SCREW,INTAK PIPE(6*25)	4
19	02112-96256 SCREW,INTAK PIPE(6*25)	3
19-1	09139H06021 SCREW,INTAK PIPE	1
20	13150HF1600 VALVE ASSY,REED	1
21	13125HF1601 GASKET,REED VALVE	1
22	13126HF1601 GASKET,REED PIPE	1
23	SCREW,CARBURETOR(6*20)	2
23	09137H06021 SCREW,CARBURETOR(6*20)	1
23-1	09139H06021 SCREW, CARBURETOR	1
24	09103H10122 BOLT,ENGINE MOUNT(10*195)	1
25	08316-26108 NUT,ENGINE MOUNT(10)	1
26	11331HF1601PCC COVER,CRANK CASE L	1
27	02112-06408 SCREW,CRANK CASE COVER L(6*25)	1
28	02112-06208 SCREW,CRANK CASE COVER L(6*35)	2
29	09168-08008 GASKET,OIL LEVEL BOLT	1
30	01514-08128 BOLT,OIL LEVEL(8*12)	1
31	64231-07903 PIN,REAR BRAKE ANCHOR	1
32	04213-11169 KNOCK PIN	2

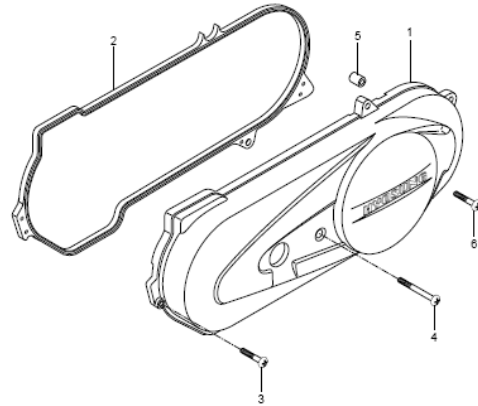
FIG.2



# FIG 3. CLUTCH

REF.	PARTS NAME	Q`TY	
NO.LAT01			
1	11340HF1601	COVER COMP,CLUTCH	1
2	11452HF1602	GASKET,CLUTCH COVER	1
3	02112-06255	SCREW,CLUTCH COVER(6*65)	3
4	02112-06605	SCREW,CLUTCH COVER(6*60)	1
5	09180H06013	SCREW,CLUTCH COVER(6*40)	1
6	02112-06405	SCREW, clutch cover(M6*40)	1

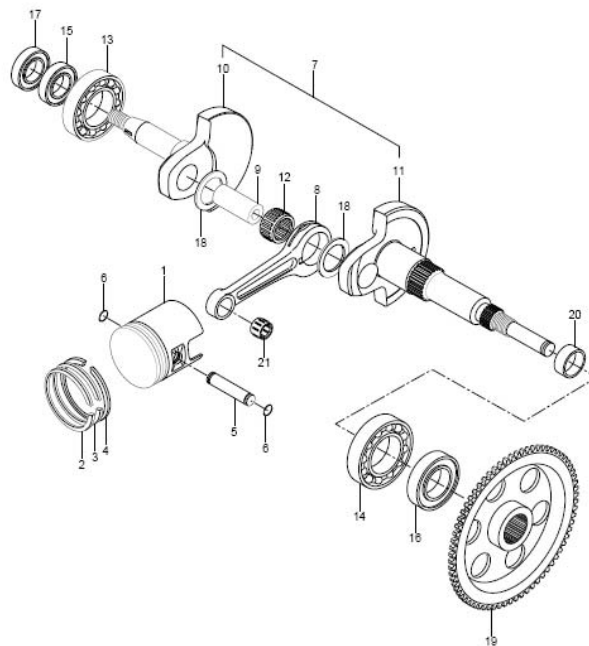
FIG.3



# FIG 4. CRANK SHAFT

REF.	PARTS NAME	Q'TY
NO.LAT01		
1	12111H11200PSA PISTON COMP	1
2	12141-35010 RING,PISTON 1ST	1
3	12142-29C10 RING,PISTON 2ND	1
4	12149-29C10 RING,PISTON EXPANDER	1
5	12151-46501 PIN,PISTON	1
6	09381-10006 CIRCLIP,PISTON PIN	2
7	12200H11200HPA CRANK SHAFT ASSY	1
8	12161-37B02 ROD,CONNECTING	1
9	12211H11201888 PIN,CRANK	1
10	12221H11201CSA CRANK SHAFT, R	1
11	12261H11A00CSA CRANK SHAFT, L	1
12	09263H16004 BEARING,CRANK PIN(16*22*12)	1
13	09160H16040 THRUST WASHER	2
14	09262H250A2 BEARING,CRANK SHAFT,L(28*68*18)	1
15	09283-25083 OIL SEAL,CRANK SHAFT L,(25*37*6)	1
16	09283-25083 OIL SEAL,CRANK SHAFT R NO.2	1
17	09284-20051 OIL SEAL,CRANK SHAFT R NO.1(20*42*6)	1
18	09262H250A2 BEARING,CRANK SHAFT R(28*68*18)	1
19	12620H11A00 GEAR,STARTER DRIVEN	1
20	09180H18005 SPACER,CRANKSHAFT OIL SEAL	1
21	09263H10003 BEARING,PISTON PIN(10*14*12.5)	1

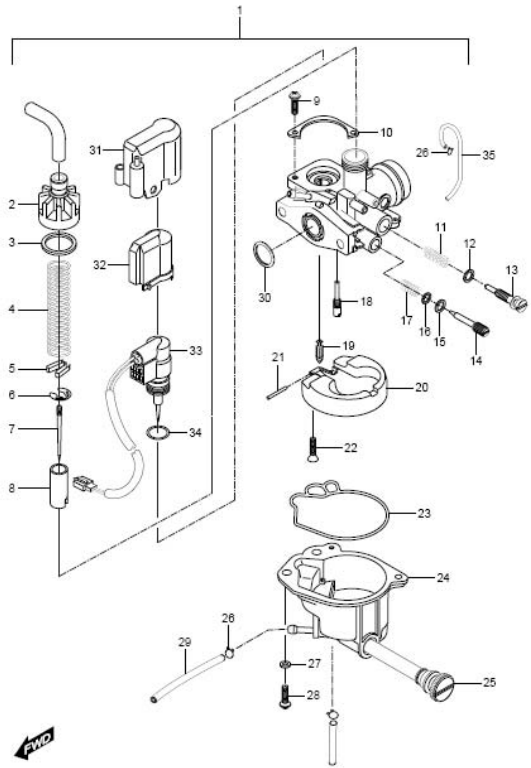
FIG.4



# FIG 5. CARBURETOR

REF.	PARTS NAME	Q'TY	
NO.LAT01			
1	13091HG1950	CARBURETOR ASSY	1
2	13681HF1600	CAP,CARBURETOR TOP	1
3	13249HF1600	GASKET, TOP COVER	1
4	13573HF1600	SPRING, THROTTLE VALVE	1
5	13581HF1600	CLIP	1
6	13533HF1600	E-RING	1
7	13383HF1600	NEEDLE JET	1
8	13551HF1600	VALVE, THROTTLE	1
9	13601HF1600	SCREW	2
10	13610HF1600	RETAINER	1
11	13265HF1600	SPRING	1
12	13266HF1600	WASHER	1
13	13267HF1600	SCREW, THROTTLE STOP	1
14	13269HF1600	SCREW, PILOT AIR	1
15	13606HF1600	WASHER	1
16	13295HF1600	O-RING	1
17	13268HF1600	SPRING	1
18	09492HF1600	JET, PILOT	1
19	13370HF1600	VALVE, NEEDLE	1
20	13250HF1600	FLOAT	1
21	13254HF1600	PIN, FLOAT	1
22	02112HF1600	SCREW	1
23	13258HF1600	GASKET, FLOAT BODY	1
24	13245HF1600	BODY, FLOAT	1
25	13247HF1600	SCREW, DRAIN	1
26	09401-08401	CLIP	2
27	08321HF1600	WASHER	1
28	02112-04126	SCREW	2
29	13683HF1600	HOSE	1
30	13277HF1600	O-RING	1
31	13630HF1600	CAP, HOLDER OUTER	1
32	13640HF1600	CAP, HOLDER INNER	1
33	13430HF1600	ELEMENT ASSY, THERMO	1
34	13650HF1600	O-RING, ELEMENT THERMO	1
35	13684HF1600	HOSE, AIR VENT	1

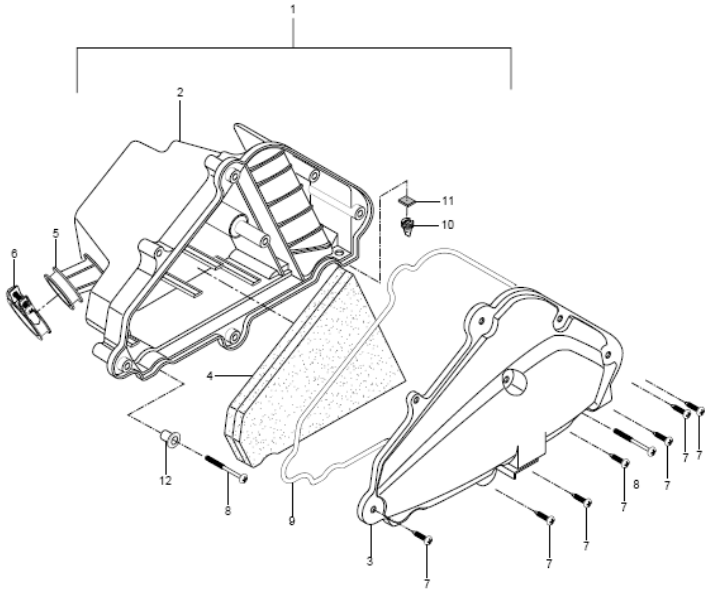
FIG.5



# FIG 6. AIR CLEANER

REF.	PARTS NAME	Q`TY
NO.LAT01		
1	CLEAER ASSY,AIR	1
2	CASE COMP,AIR CLEANER	1
3	CAP,AIR CLEANER	1
4	FILTER ASSY,AIR CLEANER	1
5-1	TUBE,OUTLET	1
6	CLAMP,OUTLET TUBE	1
7	SCREW,AIR CLEANER	5
8	SCREW	2
9	GASKET,AIR CLEANER	1
10	TUBE,DRAIN	1
11	FILTER,DRAIN	1
12	WASHER,AIR CLEANER CAP	2

FIG.6

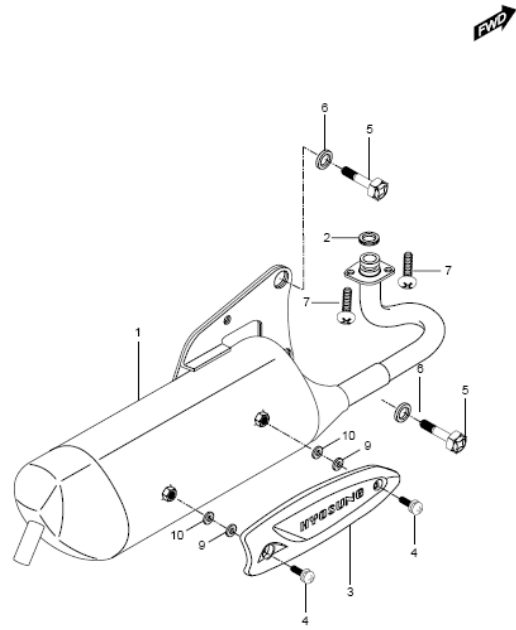




# FIG 7. MUFFLER

REF.	PARTS NAME	Q'TY
NO. LAT01		
1	14310HF1651PAM BODY COMP,MUFFLER	1
2	14181HG2600 GASKET,EXHAUST PIPE	1
3	14781HF1601 COVER,MUFFLER	1
4	02152-06128 SCREW,MUFFLER COVER(6*10)	2
5	09128-08001 BOLT,MUFFLER(8*20)	2
6	08322-21108 WASHER,MUFFLER	2
7	01137-06258 BOLT,exhaust pipe	2
7-1	01421-06208 STUD BOLT, CYL	2
8	09168-06010 GASKET,MUFFLER COVER	2
9	09160-06006 WASHER,MUFFLER COVER	2

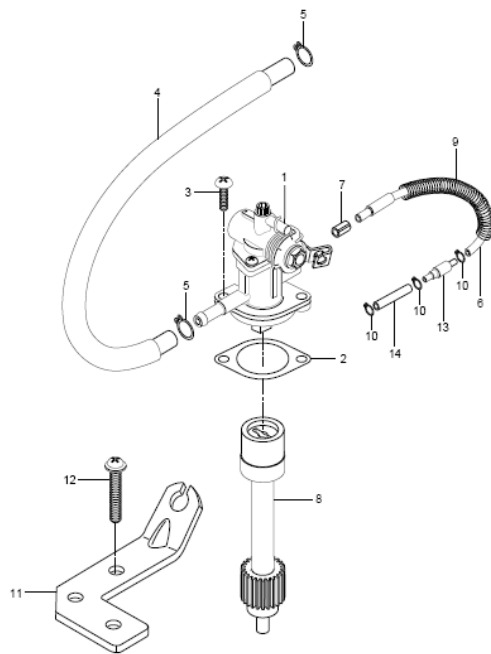
FIG.7



# FIG 8. OIL PUMP

REF.	PARTS NAME	Q`TY	
<b>NO.LAT01</b>			
1	16100HE1125	PUMP ASSY,OIL	1
2	16731H11202	GASKET,OIL PUMP	1
3	02112-35168	SCREW,OIL PUMP(5*16)	2
4	16821H11200	HOSE,OIL NO.1	1
5	09401-08401	CLIP,OIL HOSE NO.1	1
6	16831HE7102200	HOSE,OIL NO.2	1
7	09401-04401	CLIP	2
8	16331H11200	GEAR, OIL PUMP PINION(NT:30)	1
9	09440-13019	SPRING,OIL HOSE	1
10	09401-04401	CLIP,OIL HOSE NO.3	3
11	16630HB1100	BRACKET COMP,OIL PUMP	1
12	02112-06106	SCREW,OIL PUMPBRACKET(6*10)	2
13	16910HB1400	VALVE COMP,OIL HOSE NO.2 CHECK	1
14	16841HE1401	HOSE,OIL NO.3	1

FIG.8

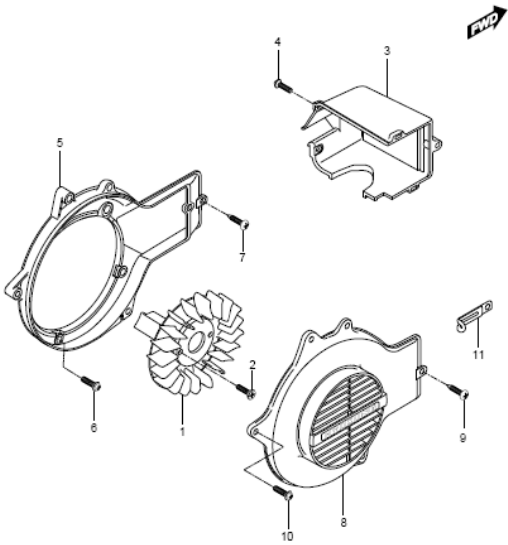


FWD

# FIG 9. COOLING FAN

REF.	PARTS NAME	Q`TY
NO.LAT01		
1	FAN,COOLING	1
2	SCREW(6*12)	2
3	COWLING,CYLINDER	1
4	SCREW(6*12)	2
5	CASE,FAN	1
6	SCREW	4
7	SCREW(6*20)	1
8	COWLING COMP,FAN	1
9	SCREW(6*20)	3
10	SCREW(6*35)	2
11	CLAMP	1
12	CUSHION	1
13	SPACER	2

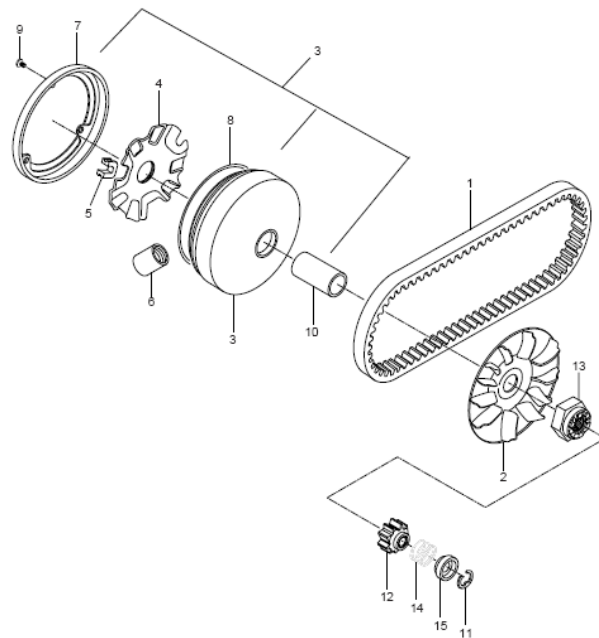
FIG.9



# FIG 10. TRANSMISSION(1)

REF.	PARTS NAME	Q`TY
NO.LAT01		
1	27601HB1100 V-BELT,DRIVE	1
2	21110H11A02 FACE COMP,FIXED DRIVE	1
3	21120-25E02HPA FACE COMP,MOVABLE DRIVE	1
4	21431H11A01 PLATE,MOVABLE DRIVE	1
5	21481-29C21 DAMPER,MOVABLE DRIVE FACE PLATE	3
6	21651S09E00HPA OUT MOVABLE DRIVE ROLLER	6
7	21122-37B01 COVER,MOVABLE DRIVE FACE	1
8	21127-25E00 RING,MOVABLE DRIVE	1
9	02142-04088 SCREW,MOVABLE DRIVE FACE(4*10)	3
10	09180-16041 SPACER,MOVABLE DRIVE	1
11	08332-11079 E-RING,KICK STARTER DRIVEN SPACER	1
12	26280-29C00 GEAR COMP,KICK STARTER DRIVEN(NT:9)	1
13	26282H11A00 NUT,KICK STARTER DRIVE(12)	1
14	09440H14007 SPRING,KICK STARTER DRIVEN	1
15	26283H11200 SPACER,KICK STARTER DRIVEN	1

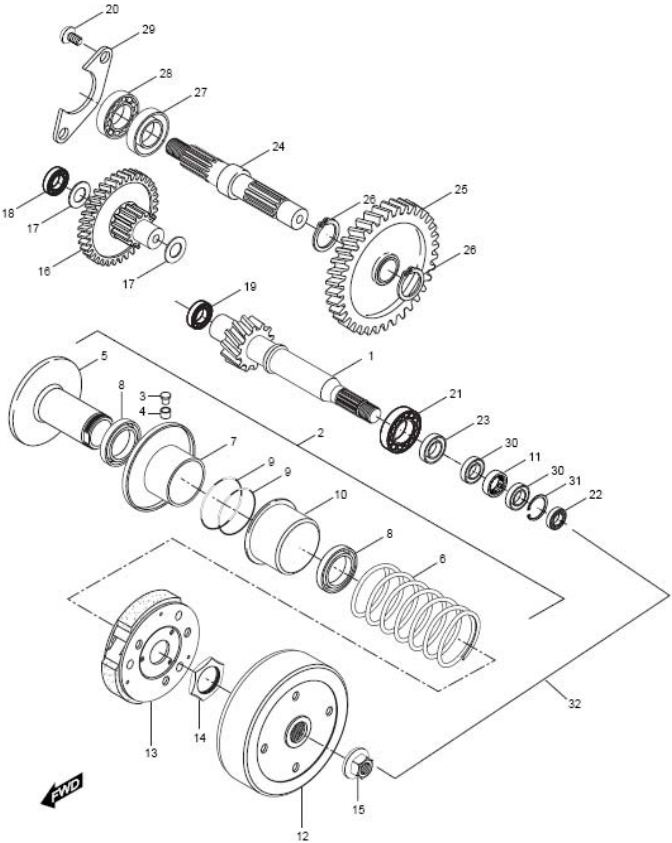
FIG.10



# FIG 11. TRANSMISSION(2)

REF.	PARTS NAME	Q`TY
NO.LAT01		
1	SHAFT,DRIVE(14T)	1
2	FACE SET, movable	1
3	PIN,MOVABLE DRIVEN	3
4	SPACER,MOVABLE DRIVEN PIN	3
5	FACE COMP,FIXED DRIVEN	1
6	SPRING	1
7	FACE COMP,MOVABLE DRIVEN	1
8	OIL SEAL,MOVABLE DRIVEN(34*39*4)	2
9	O-RING,MOVABLE DRIVEN(39*1.6)	2
10	SHEET,MOVABLE DRIVEN FACE	1
11	BEARING,FIXED DRIVEN R(17*25*10)	1
12	HOUSING,CLUTCH	1
13	CLUTCH ASSY,SHOE(NA)	1
14	NUT(M28)	1
15	NUT(M10)	1
16	24310H11A01HPA GEAR ASSY,COUNTER DRIVEN	1
17	09160-15034 THRUST WASHER,R	2
18	08113-62010 BEARING(2*32*10)	1
19	08113-62020 BEARING(15*35*11)	1
20	02122-06168 SCREW,RETAINER(6*7)	2
21	09262H17001 BEARING(17*47*14)	1
22	08120H69017 BEARING(12*24*6)	1
23	09283H17002 OIL SEAL(17*27*5)	1
24-1	24141HD2100 SHAFT,REAR AXLE	1
25	24331H11220 GEAR,FINAL(40T)	1
26	08331-31229 CIRCLIP	2
27	09283-27010 OIL SEAL(27*40*7)	1
28	08130-62047 BEARING(20*47*14)	1
29	24751H07900 RETAINER	1
30	09284H17002 OIL SEAL(16*25*4)	2
31	08331-41249 CIRCLIP	1
32	21200H37B00 PULLEY SET, DRIVEN	1

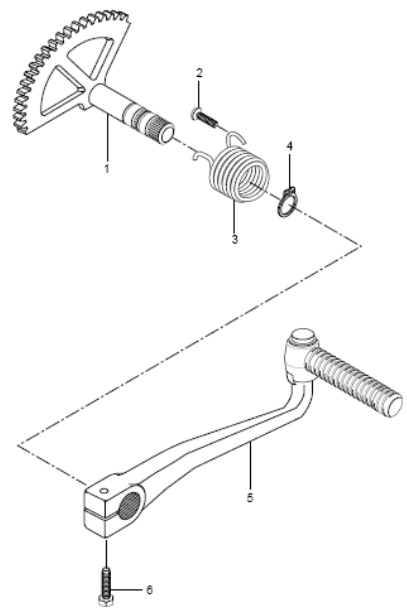
FIG.11



# FIG 12. KICK STARTER

REF.	PARTS NAME	Q`TY
NO.LAT01		
1	SHAFT COMP,KICK STARTER	1
2	SCREW(6*10)	1
3	SPRING	1
4	CIRCLIP	1
5	LEVER ASSY,KICK STARTER	1
6	BOLT,KICK STARTER LEVER(6*20)	1

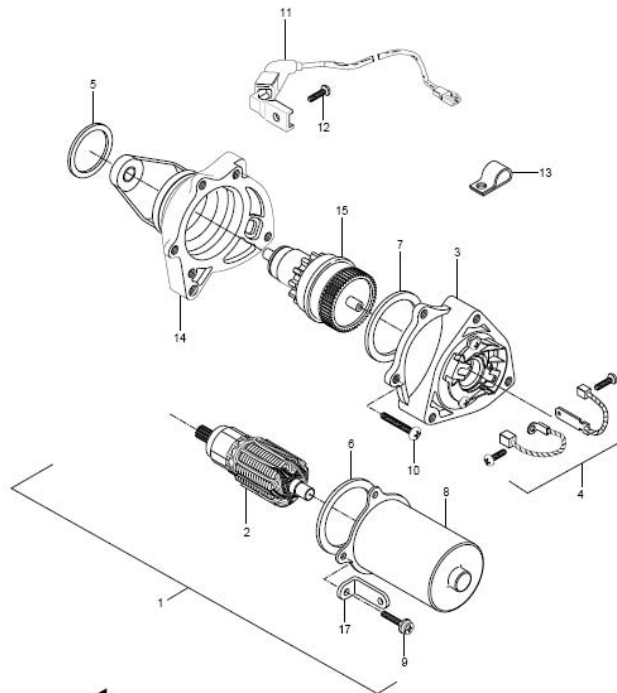
FIG.12



# FIG 13. STARTING MOTOR

REF.	PARTS NAME	Q'TY	
NO.LAT01			
1	31100H11A02	MOTOR ASSY,STARTING	1
2	31311H11200	AMATEUR	1
3	31130-02100	HOLDER ASSY,BRUSH	1
4	31131-02100	BRUSH SET	1
5	31156-02100	O-RING	1
6	31158-02540	GASKET	1
7	31158-02100	O-RING	1
8	31120HF1600	COVER,STARTING MOTOR	1
9	31151-02100	SCREW A(4*30)	3
10	31151-02540	SCREW B(4*14)	2
11	31151-02100	LEAD WIRE	1
12	31152-02540	SCREW	1
13	09404-06403	CLAMP	1
14	31132HF1600	HOLDER	1
15	31370H11200	PINION GEAR ASSY	1

FIG.13

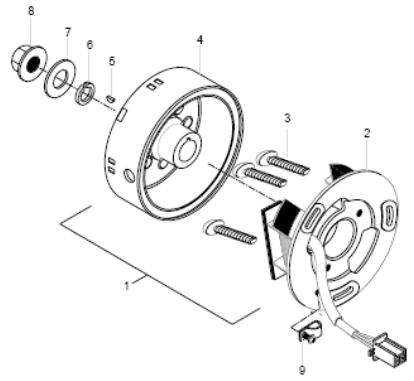


FWD

# FIG 14. MAGNETO

REF.	PARTS NAME	Q`TY	
NO.LAT01			
1	32100HG2680	MAGNETO ASSY	1
2	32101HG2670	STARTOR ASSY	1
3	09132H05128	SCREW,MAGNETO STARTER	3
4	32102H11A00	ROTOR ASSY	1
5	08341-31039	KEY,MAGNETO	1
6	08322-21108	WASHER	1
7	08321-31108	LOCK WASHER,MAGNETO	1
8	08316-26108	NUT,MAGNETO ROTOR(10)	1
9	09404-16404	CLAMP,MAGNETO LEAD WIRE	1

FIG.14

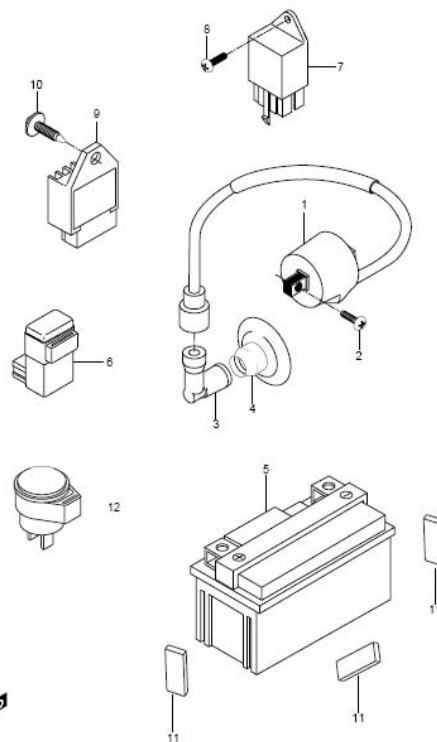




# FIG 15. ELECTRICAL

REF.	PARTS NAME	Q`TY	
NO.LAT01			
1	33410H11210	COIL ASSY,IGNITION	1
2	02112-46208	SCREW,IGNITION COIL(6*20)	2
3	33510H11200	CAP,SPARK PLUG	1
4	33543HG2600	BOOT,SPARK PLUG	1
5	33610-40B12	BATTERY	1
6	32900HF1660	C.D.I UNIT	1
7	31800H47A00	RELAY, starting motor	1
8	02142-06128	SCREW(6*12)	1
9	32800-36C20	RECTIFIER ASSY	1
10	02112-06168	SCREW(6*16)	3
11	33651H11A00	CUSHION,BATTERY	1
12-2	338610HF4400	RELAY, TURN SIGNAL	1

FIG.15

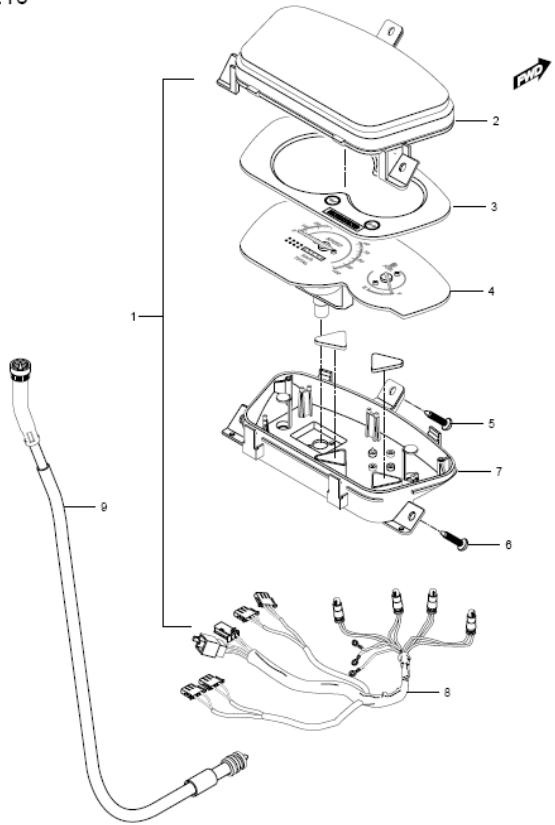


FWD

# FIG 16. SPEEDOMETER

REF.	PARTS NAME	Q'TY	
NO. LAT01			
1	34100HF1681	SPEEDOMETER ASSY	1
2	34150HF1600	WINDOW CASE N/A	1
3	34159HF1601	PLATE, window case	1
4	34112HF1601	DIAL	1
5	34160HF1601	CASE SUB	1
6	03241-05165	SCREW(M5*16)	1
7	03241-05206	SCREW(M5*20)	2
8	34170HF1601	WIRING ASS'Y	1
9	34910HB1101	CABLE ASS'Y, speedometer	1

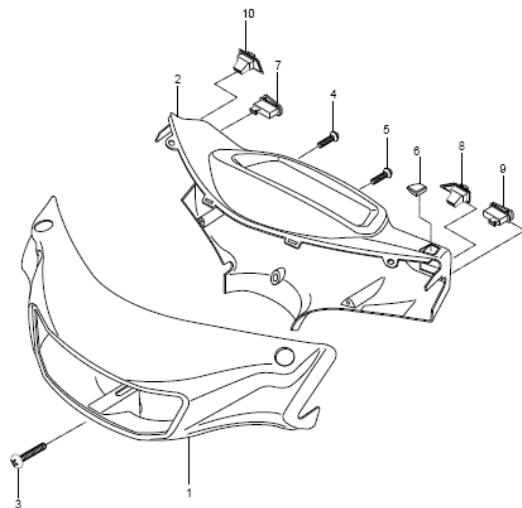
FIG.16



# FIG 17. HANDLE COVER

REF.	PARTS NAME	Q'TY
NO.LAT01		
1	56311HF1600 COVER, handle front(Color)	1
1-1	COVER, handle front(Color)	1
2	56321HF1601 COVER,HANDLE REAR	1
3	02142-05125 SCREW,HANDLE COVER F/T,R/R(5*12)	2
4	03241-05165 SCREW,HANDLE COVER R/R UPPER(5*16)	2
5	03241-04166 SCREW,HANDLE COVER RR SIDE(4*16)	2
6	37430HE6100 SWITCH ASS'Y DIMMER	1
6-1	56331HF1620 CAP, handle cover rear	1
7	37220HE6100 SWITCH ASS'Y START	1
8	37410HE6100 SWITCH ASS'Y TURN SIGNAL	1
9	37420HE6100 SWITCH ASS'Y HORN	1
10	37240HE6150 SWITCH ASS'Y LIGHTING	1

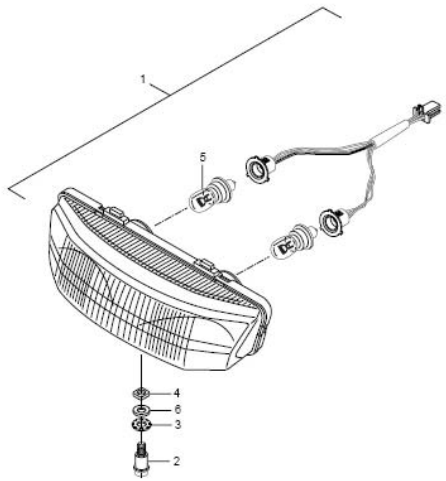
FIG.17



# FIG 18. HEAD LAMP

REF.	PARTS NAME	Q`TY
NO.LAT01		
1	35100HG1900 HEAD LAMP ASSY	1
2	35151H11200 BOLT,HEAD LAMP AIMING(4*11)	1
3	35128H11200 WASHER,HEAD LAMP AIMING	1
4	35135H11200 NUT,HEAD LAMP AIING	1
5	09471-12013 BULB,HEAD LAMP(12V 18/18W)	2
6	08322-21068 WASHER, head lamp aiming	1

FIG.18



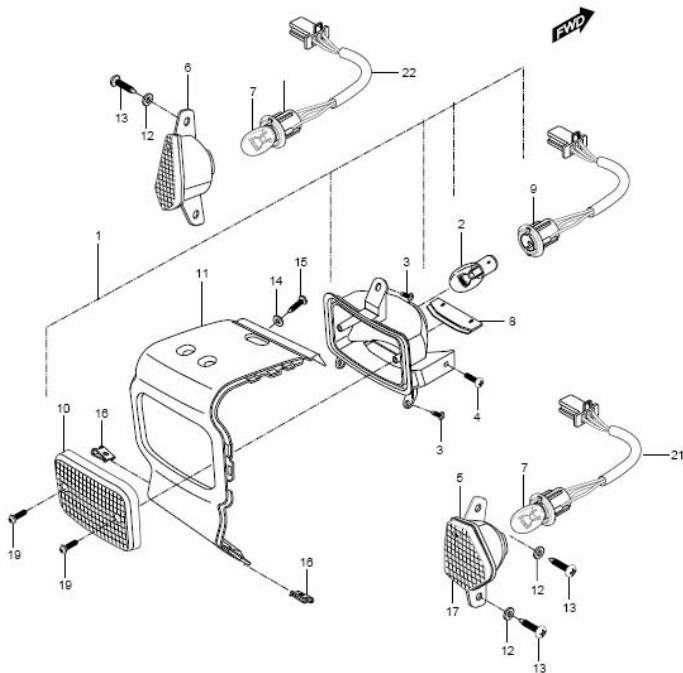
# FIG 19. REAR COMBINATION LAMP

REF. PARTS NAME Q'TY

NO.LAT01

1	35710HF1622	LAMP ASSY,REAR COMBINATION	1
2	09471-12008	BULB,STOP & TIAL LAMP(12V P21W)	1
3	03241-04166	SCREW,TAIL & STOP LAMP(4*12)	3
4	01517-06168	BOLT,TAIL & STOP LAMP(6*16)	2
5	35603HF1621	LAMP,REAR TURMISIGNAL R	1
6	35604HF1621	LAMP,REAR TURMISIGNAL L	1
7	09471-12003	BULB,REAR TUMISIGNAL(12V 10W)	2
8	35770HF1600	LICENSE LENS	1
9	35760HF1600	SOCKET & CORD ASSY	1
10	35712HF1600	LENS,TAIL STOP	1
11	47311HG2100	COVER,CENTER(COLOR)	1
12	35157-27263	WASHER	4
13	03241-04165	SCREW(4*16)	2
14	09169-06034	WASHER	2
15	02142-06165	SCREW(6*16)	2
16	09148-05020	SPRING NUT	2
17	35652HF1600	LENS, RR T/S R	1
18	35672HF1600	LENS, RR T/S L	1
19	03241-04126	SCREW(M4*12)	2
20	08322-21066	WASHER	2
21	35618HF1600	SOCKET & CORD ASS'Y, RR T/S R	1
22	35638HF1600	SOCKET & CORD ASS'Y, RR T/S L	1

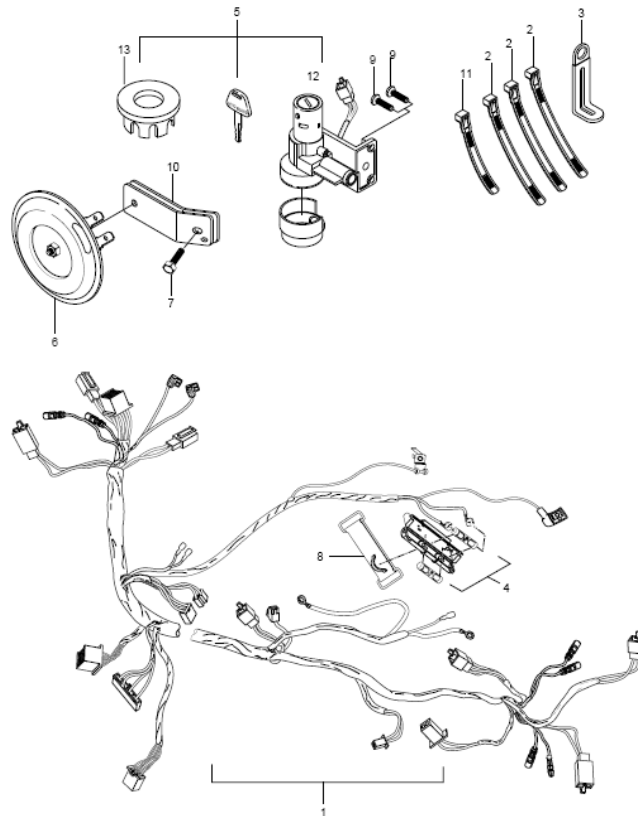
FIG.19



# FIG 20. WIRING HARNESS

REF.	PARTS NAME	Q`TY
NO.LAT01		
1	36610HF16C1	1
2	09407-14403	3
3	09404-06404	1
4	36740-350A0	1
5	37000HG1930	1
6	38500HG1900	1
7	02112-36128	2
8	33651H11200	1
9	09128-06040	1
10	38520HF1600	1
11	09407-22402	1
12	37100HB1430	1
13	37155HJ6130	1

FIG.20



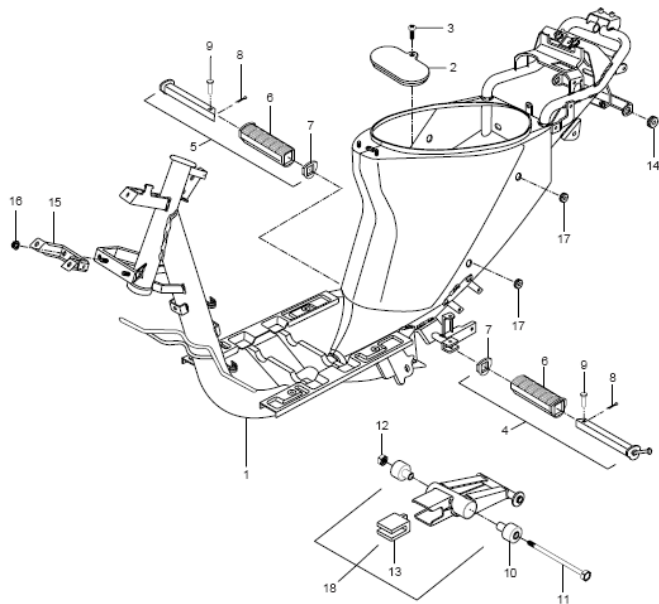
# FIG 21. FRAME

REF. PARTS NAME Q'TY

NO.LAT01

1	41100HG1900PAM	FRAME ASSY	1
2	41489H11201	COVER,FRAME BODY LOWER	1
3	02142-06128	SCREW,FRAME BODY LOWER COVER	1
4	43610HF1602F1	FOOTREST ASSY,PILLION	1
5	43620HF1602F2	FOOTREST ASSY,PILLION	1
6	43612HF1600	RUBBER,PILLION FOOTREST	2
7	43631HF1601	WASHER,PILLIONFOOTREST	2
8	04111-20208	COTTER PIN,PILLION FOOTREST	2
9	09200H06057	PIN,PILLION FOOTREST	2
10	09319H12025	BUSH,ENINE MOUNTING LINK	1
11	09103-12045	BOLT,ENGINE MOUNTING LINK(12*140)	1
12	08319-31126	NUT,ENGINE MOUNTING LINK(12)	1
13	61121H11201	CUSHION,ENGINE MOUNTING LINK	1
14	09320-08013	CUSHION	2
15	41530HG5900	PLATE, leg shield lower	1
16	08316-16068	NUT(M6)	2
17	09320-08013	CUSHION	4
18	61110S11202HPA	LINK,ENGINE MOUNTING	1

FIG.21

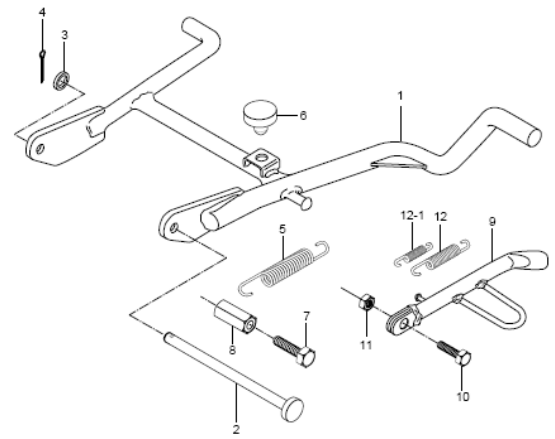


← FWD

# FIG 22. STAND

REF.	PARTS NAME	Q`TY	
NO. LAT01			
1	42110HF1602	STAND COMP,CENTER	1
2	42211-41D00	SHAFT,CENTER STAND PIVOT	1
3	08322-21108	WASHER,CENTER STAND	1
4	09204-02003	COTTER PIN,CENTER STAND	1
5	09443-17005	SPRING,CENTER STAND	1
6	09321-10001	CUSHION,CENTER STAND	1
7	01104-06258	BOLT,CENTER STAND SPRING(6*25)	1
8	08310-11068	NUT,CENTER STAND SPRING	1
9	42310HG1901	STAND,PROP	1
10	09100-10131	BOLT,PROP STAND(10*33)	1
11	08313-11107	NUT,PROP STAND(10)	1
12	09443-14036	SPRING,PROP STAND(6*20)	1
12-1	09443-06001	SPRING,PROP STAND INNER	1

FIG.22

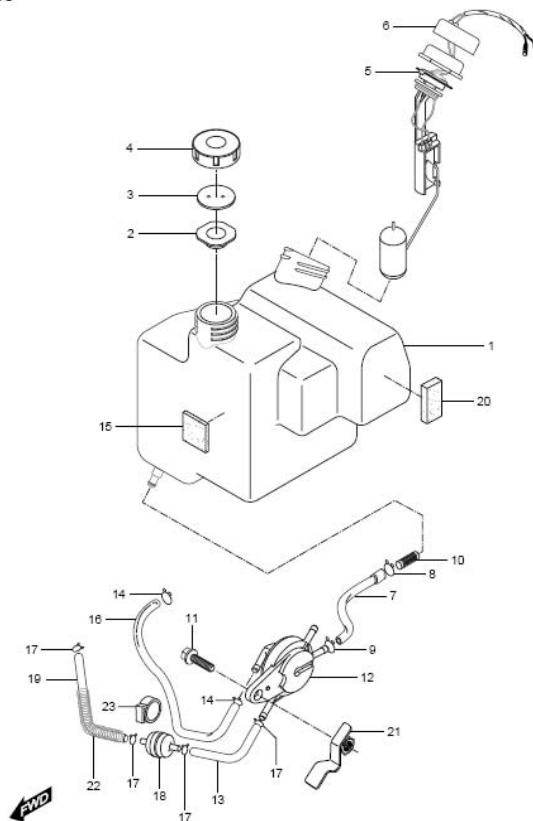




# FIG 23. FUEL TANK

REF.	PARTS NAME	Q'TY
NO.LAT01		
1	44100HF1601 TANK ASSY,FUEL	1
2	44241H11202 GASKET,FUEL TANK CAP NO.1	1
3	44261H11201 GASKET,FUEL TANK CAP NO.2	1
4	44200H11203 CAP SET,FUEL TANK	1
5	34810HF1600 GAUGE ASSY,FUEL LEVEL	1
6	44587H11200 CAP,FUEL LEVEL GAUGE	1
7	44199HF1600 HOSE,FUEL INLET(L=100)	1
8	09401H11401 CLIP,FUEL INLET NO.1	1
9	09401-10401 CLIP,FUEL INLET NO.2	1
10	44322HF1600 FILTER,FUEL	1
11	01517-06208 BOLT,FUEL COCK(6*20)	1
12	44300HE7100 COCK ASSY,FUEL	1
13	44196H11A02 HOSE,FUEL OUTLET NO.1(L=40)	1
14	09401-10401 CLIP,VACUUM HOSE	2
15	44281-29C00 PROTECT,FUEL TANK	7
16	09352-50823270 HOSE,VACUUM	1
17	09401-08401 CLIP,FUEL OUTLET HOSE	4
18	44910HG2600 STANINER COMP,FUEL	1
19	44197HB1100 HOSE,FUEL OUTLET NO.2(L=170)	1
20	44215HF1601 CUSHION,FUEL TANK	3
21	44921HF1600 PLATE,STRAINER	1
22	09440-10019 SPRING,FUEL LUTLET HOSE NO.2	1

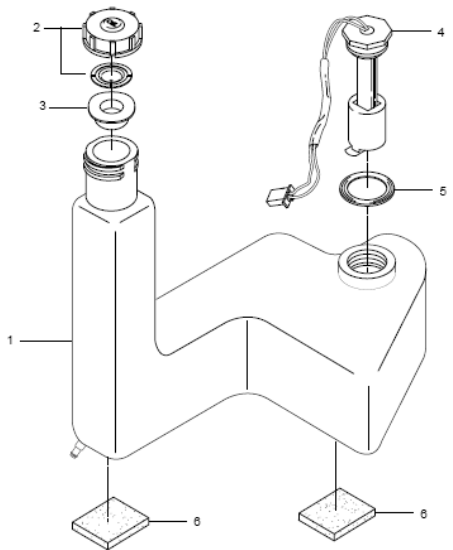
FIG.23



# FIG 24. OIL TANK

REF.	PARTS NAME	Q'TY	
NO.LAT01			
1	44610HF1601	TANK SET,OIL	1
2	44651H11200	CAP,OIL TANK	1
3	44662-350A1	GASKET,OIL TANK CAP NO.2	1
4	37880HF1602	SWITCH ASSY,OIL LEVEL	1
5	44643-31000	GASKET,OIL LEVEL SWITCH	1
6	44281-29C00	PROTECTO,OIL TANK	2

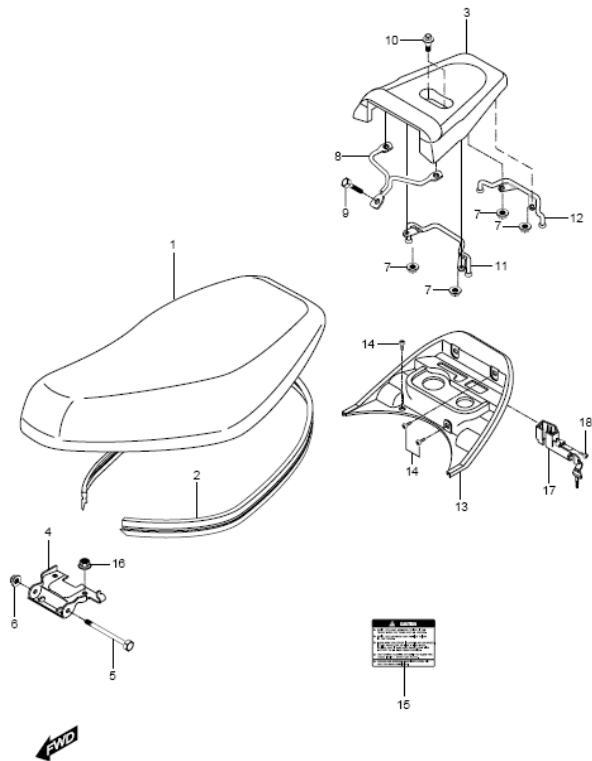
FIG.24



# FIG 25. SEAT

REF.	PARTS NAME	Q`TY
NO.LAT01		
1	45100HF1603 SEAT SET	1
2	45211H11200 MOULDING,SEAT	1
3	46410HF1600121 CARRIER COMP,REAR	1
4	45284H11203 BRACKET,SEAT SUPPORT LOWER	1
5	45215-39C01 BOLT,SEAT BRACKET(6*62)	1
6	08310-11068 NUT,SEAT BRACKET(6)	1
7	08316-26066 NUT,REAR CARRIER HOOK	4
8	46420HF1601 BRACKET COMP,REAR CARRIER	1
9	01517-06205 BOLT,REAR CARRIER FRONT(6*20)	1
10	09111H06E06 BOLT,REAR CARRIER REAR(6*18.5)	2
11	46440HF1602 HOOK COMP,REAR CARRIER NO.1	1
12	46450HF1600 HOOK COMP,REAR CARRIER NO.2	1
13	47181HF1601 COVER,FRAME UPPER	1
14	02142-05125 SCREW(6*10)	4
15	LABEL,CAUTION NO.2	1
15-1	68332H11B10 LABEL,CAUTION NO.2	1
16	08316-26066 NUT,SEAT SUPPORT BRACKET(6)	2
17	45700HF1610 LOCK ASSY,SEAT	1
18	02112-06168 SCREW,SEAT LOCK(6*16)	2

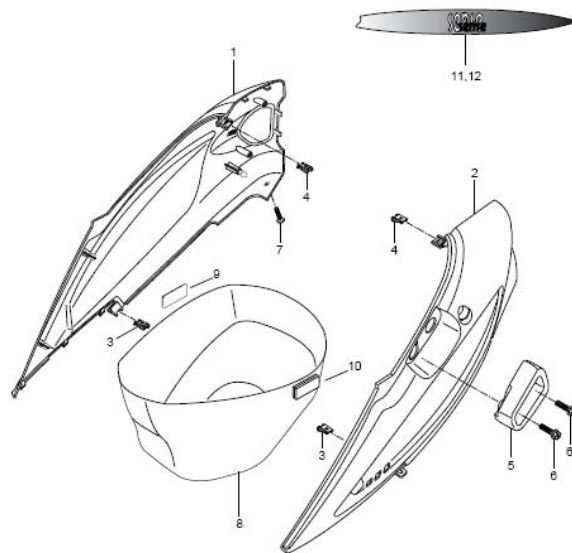
FIG.25



# FIG 26. SIDE COVER

REF.	PARTS NAME	Q`TY	
NO.LAT01			
1	47111HF1600	SIDE COVER, R(COLOR)	1
2	47211HF1600	SIDE COVER, L(COLOR)	1
3	09148-05020	NUT,SIDE COVER FRONT & LEG SIDE	2
4	09148-05020	NUT,SIDE COVER REAR & CENTER	2
5	47510HF1600	GRIP COMP,HANDLE LH	1
6	01517-06205	BOLT,HANDLE LH	2
7	03241-05125	SCREW,FRAME UPPER(5*12)	6
8	92211H11200	COVER,HELMET	1
9	92221H11201	GUIDE,HELMET COVER R	1
10	92321H11201	GUIDE,HELMET COVER L	1
11	68134HF1610	TAPE,SIDE COVER R(PR,LB,MY)	1
12	68136HF1610	TAPE,SIDE COVER L(PR,LB,MY)	1

FIG.26



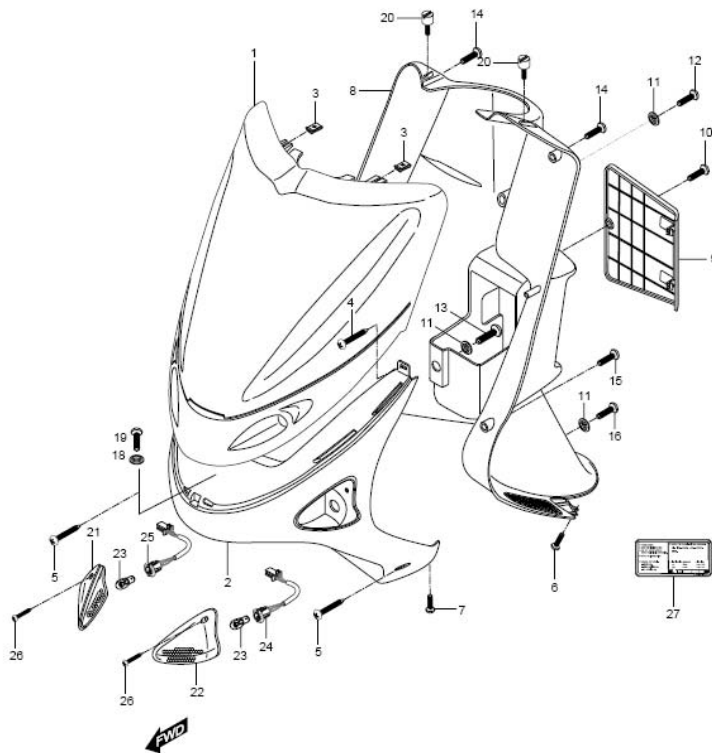
# FIG 27. FRONT LEG SHIELD

REF. PARTS NAME Q'TY

NO.LAT01

1	48111HE3100	LEG SHIELD,FRONT(COLOR)	1
2	48137HF3400	LEG SHIELD,LOWER	1
3	09148-04024	NUT,LEG SHIELD FRONT & COVER	2
4	03241-05168	SCREW,LEG SHIELD LOWER & COVER(5*16)	2
5	03241-04256	SCREW,LEG SHIELD LOWER & COVER(4*25)	2
6	03241-05165	SCREW,LEG SHIELD COVER & REAR(5*16)	2
7	03241-04168	SCREW,LEG SHIELD COVER & REAR(4*16)	2
8	92111HE3100	COVER,LEG SHIELD	1
9	92112HE3100	COVER,BATTERY	1
10	02112-05125	SCREW,BATTERY COVER(5*12)	1
11	09169-06034	WASHER,LEG SHIELD COVER	3
12	02142-06165	SCREW,LEG SHIELD COVER(6*16)	1
13	02142-06125	SCREW,LEGSHIELD COVER FRONT(6*12)	1
14	03241-05165	SCREW,LEG COVER & F/T LOWER(5*16)	2
15	03241-05165	SCREW,LEG COVER & LOWER UPPER(5*16)	2
16	03241-05165	SCREW,LEG COVER & LOWER LOWER(5*16)	2
17	68210HF1610	TAPE, LEG SHIELD FRONT(COLOR)	1
18	09169-06034	WASHER	2
19	02142-06128	SCREW(6*12)	2
20	92510HF1600	KNOB COMP,COVER LEG SHIELD	2
21	35612HF1620	LENS,FRONT TURNSIGNAL R	1
22-1	35632HF1620	LENS,FRONT TURNSIGNAL L	1
23	09471-12114	BULB,FRONT TURNSIGNAL(12V 10W)	2
26	03211-04165	SCREW,FRONT TURNSIGNAL LAMP(4*16)	4
27	68319HF1610	LEBEL,CAUTION NO.1	1

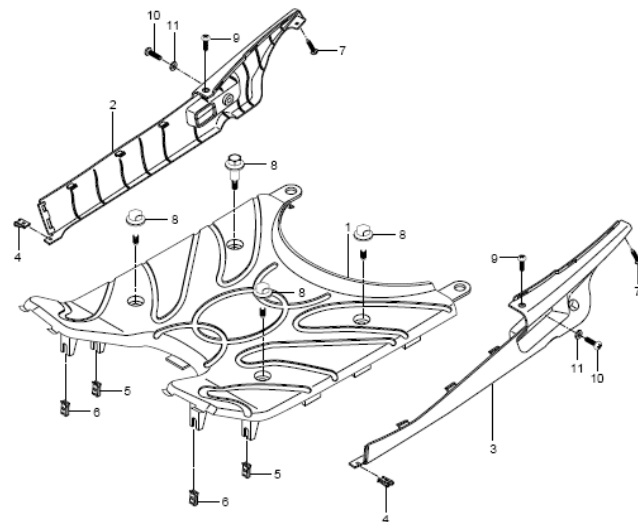
FIG.27



# FIG 28. REAR LEG SHIELD

REF.	PARTS NAME	Q'TY	
NO.LAT01			
1	48121HF1601	LEG SHIELD,REAR	1
2	48285HF1600	SIDE LEG SHIELD, R	1
3	48286HF1601	SIDE LEG SHIELD, L	1
4	09148-04024	NUT,LEG SHIELD SIDE & LOWER	2
5	09148-04024	NUT,LEG SHIELD REAR & LOWER	2
6	09148-05020	NUT,LEGSHIELD REAR & COVER	2
7	02142-06125	SCREW,LEG SHIELD SIDE UPPER(6*16)	2
8	09111H06E06	BOLT,REAR LEGSHIELD(6*18.5)	4
9	03241-05165	SCREW,LEG SHIELD SIDE LOWER(5*15)	2
10	02142-06125	BOLT,LEG SHIEL SIDE LOWER(6*12)	2
11	09169-06034	WASHER,LEG SHIELD SIDE	2

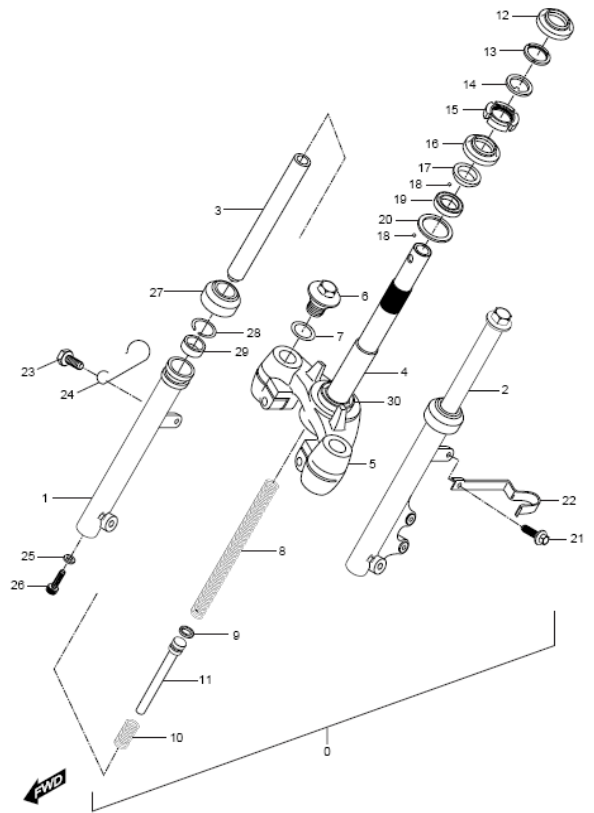
FIG.28



# FIG29. FRONT FORK

REF.	PARTS NAME	Q'TY
NO.LAT01		
0	51100HB1300HPA FORK ASS'Y FRONT	1
1	51210HB1300 FORK COMP, FRONT R	1
2	51220HB1300 FORK COMP, FRONT L	1
3	51111H11A00 FORK,PIPE	2
4	51400HB1100 STEM,COMP STEERING	1
5	51211H11A01 UNDER BRACKET ASSY	1
6	51351H11A00 FORK BOLT	2
7	51181H11A00 O-RING,FORK BOLT	2
8	51171H11A00 SPRING	2
9	51196H11A00 PISTON RING	2
10	51177H11A00 REBOUND SPRING	2
11	51146H11A00 PIPE SEAT	2
12	36618-02100 COVER,STEERING STEM LOCK	1
13	51632-02400 NUT,STEERING STEM LOCK	1
14	09166-26001 WASHER,STEERING STEM OCK	1
15	51631-28000 NUT,STEERING STEM	1
16	51643-25001 DUST SEAL,STEERING UPPER	1
17	51621-28000 RACE,STEERING OUTER UPPER	1
18	06111-06004 BALL,STEERING STEEL	47
19	51611-20002 BALL,STEERING INNER UPPER	1
20	51612-04000 RACE STEERING INNER LOWER	1
21	01174-06168 BOLT,BK HOSE CLAMP(M6*16)	1
22	59268H11A00 CLAMP,BRAKE HOSE	1
23	01174-06168 BOLT,SPEEDOMETER CABLE GUIDE	1
24	51418H11A00 GUIDE,SPEEDOMETER CABLE	1
25	51148H11A00 PACKING	2
26	51147H11A00 SOCKET, BOLT	2
27	51173H11A00 DUST BOOT	2
28	51156H11A00 STOPPER RING,OIL SEAL	2
29	51153H11A00 OIL SEAL,FRONT FORK	2
30	51622-04000 RACE STEERING OUTER LOWER	1

FIG.29

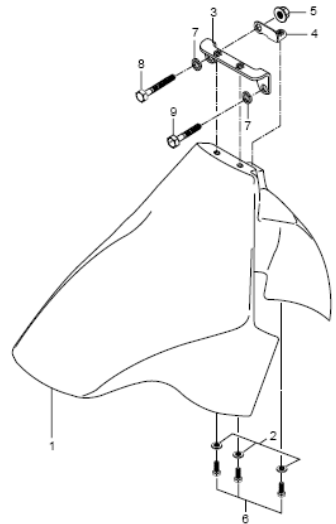


# FIG 30. FORNT FENDER

REF. PARTS NAME Q'TY  
 NO.LAT01

1	53111HG1700	FENDER,FRONT(COLOR)	1
2	09169-06034	WASHER,FRONT FENDER	3
3	53121H11A00	PLATE,FRONT FENDER	1
4	53122H11A20	PLATE,FRONT FENDER REAR	1
5	08316-16088	NUT,FRONT FENDER PLATE(8)	1
6	01104-06168	BOLT(6*16)	3
7	08321-31086	WASHER	2
8	09100H08001	BOLT,FRONT FENDER PLATE(8*50)	1
9	09100H08260	BOLT,FRONT FENDER PLATE(8*32)	1

FIG.30

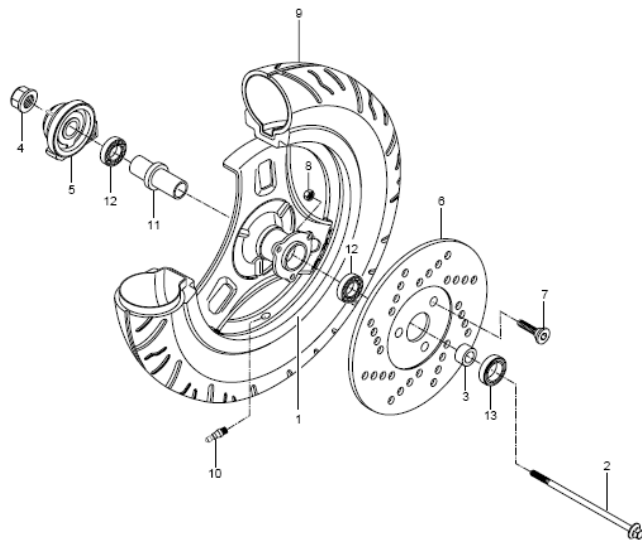




# FIG 31. FRONT WHEEL

REF.	PARTS NAME	Q`TY
NO.LAT01		
1	54140H41D0003R WHEEL COMP,FRONT(2.15*10DC)SILVER	1
2	54711H11A00 AXLE,FRONT(10*178.5)	1
3	54741-29C00 SPACER,FRONT AXLE L	1
4	08319-31108 NUT,FRONT AXLE(10)	1
5	54600-28B00 BOX ASSY,SPEEDOMETER GEAR	1
6	59211-29C10 DISK,FRONT BRAKE	1
7	59421-03A01 BOLT,FRONT BRAKE DISK(8*15.5)	3
8	08319-21088 NUT,FRONT BRAKE DISK(8)	3
9	65100HF1601 TIRE SET,FRONT(100/80-10 53J)	1
10	55220-29C20 VALVE ASSY,WHEEL RIM	1
11	54730-41D00 SPACER,FRONT WHEEL	1
12	08123-62007 BEARING,FRONT WHEEL(#6200)	2
13	09285-16002 DUST SEAL,FRONT HUB BEARING L	1

FIG.31

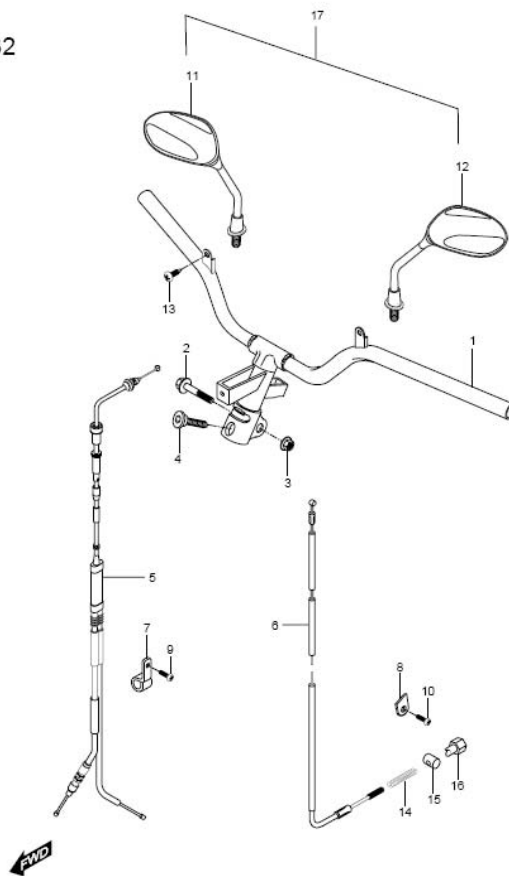


← FWD

# FIG 32. HANDLE BAR

REF.	PARTS NAME	Q'TY
NO.LAT01		
1	56110HF1601 HANDLE BAR COMP	1
2	09103-10055 BOLT,HANDLE BAR(10*40)	1
3	08319-31108 NUT,HANDLE BAR	1
4	56123-29C00 BOLT,HANDLE BAR(8*30)	1
5	58300HF1600 CABLE ASSY,THROTTLE	1
6	58510H11A00 CABLE COMP,REARBRAKE	1
7	09403-09301 GUIDE,CABLE	1
8	58591H11A00 PLATE,REAR BRAKE CABLE	1
9	01134-06208 BOLT,REAR BRAKE CABLE PLATE(6*20)	1
10	01134-06128 BOLT,CABLE GUIDE	1
11	56500HF1602 MIRROR ASSY,REAR VIEW R	1
12	56600HF1602 MIRROR ASSY,REAR VIEW L	1
13	03241-05165 SCREW(5*16)	2
14	09440H06013 SPRING	1
15	09209H11005 LEVER PIN	1
16	09150-01501 ADJUST NUT,REAR BRAKE	1
17	56501HF1602 MIRROR SET	1

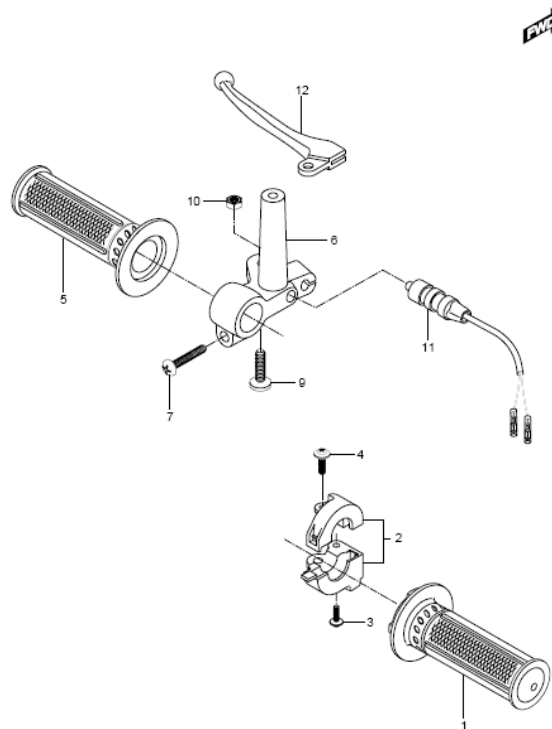
FIG.32



# FIG 33. HANDLE SWITCH

REF.	PARTS NAME	Q'TY	
NO. LAT01			
1	57110HE7101	GRIP COMP,THROTTLE	1
2	57100-29C00	CASE ASSY,THROTTLE	1
3	02112-05208	SCREW,THROTTLE CASE(5*20)	1
4	09136-05040	SCREW,THROTTLE CASE(5*16)	1
5	57211HE7101	GRIP, L	1
6	57511HE7100	HOLDER,BRAKE LEVER	1
7	02112-06208	SCREW HOLDER(6*20)	1
8	57421-03A11	LEVER,BRAKE	1
9	02112-05258	SCREW,BRAKE LEVER PIVOT(5*25)	1
10	08319-21058	NUT,BRAKE LEVER PIVOT	1
11	57460H11200	SWITCH ASSY,STOP LAMP	1
12	57500HE7101	BRAKE LEVER REAR & SWITCH ASS'Y	1

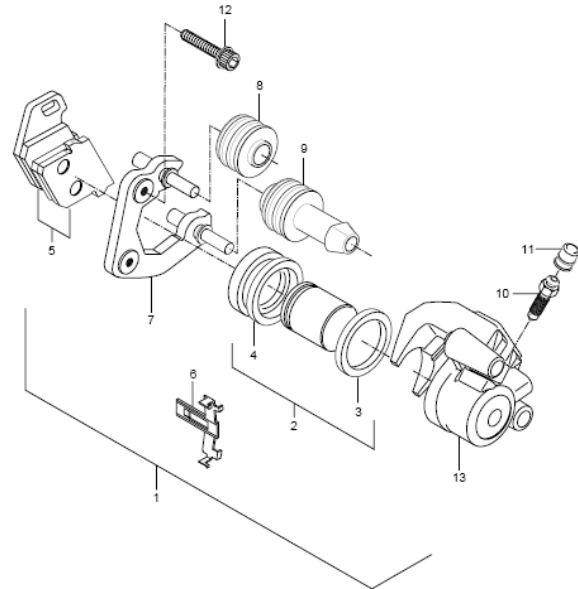
FIG.33



# FIG 34. CALIPER

REF.	PARTS NAME	Q'TY
NO.LAT01		
1	59300-03A3090U CALIPER ASSY,FRONT	1
2	59300-03810 PISTON SET	1
3	59170-03A00 SEAL	1
4	59308-03A00 BOOT	1
5	59300-03860 PAD SET,CALIPER	1
6	59315-36500 SPRING	1
7	59313-36A00 CARRIER,LH	1
8	59312-36500 BOOT	1
9	59313-36500 INSULATOR	1
10	59121-18410 BLEEDER	1
11	59122H18420 CAP	1
12	07120-08208 BOLT,CALIPER	2
13	59360-03A30 HOUSING,CALIPER	1

FIG.34

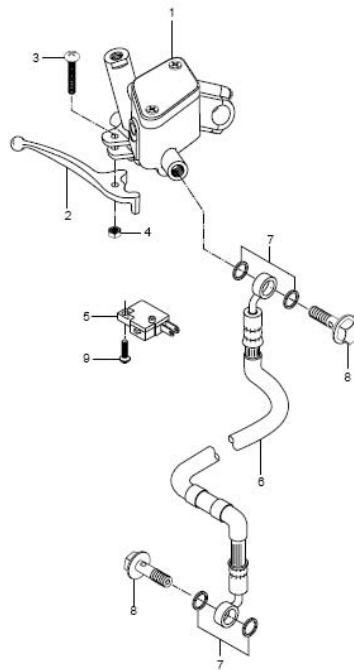


FRONT

# FIG 35. FRONT MASTER CYLINDER

REF.	PARTS NAME	Q`TY	
NO.LAT01			
1	59600HE7102	CYLINDER ASSY,FRONT MASTER	1
2	57300-29C10	LEVER,BRAKE	1
3	57431-13010	SCREW,BRAKE LEVER PIVOT	1
4	08319-21065	NUT(6)	1
5	57460-17C00	SWITCH ASSY,STOP	1
6	59480H11A03	HOSE COMP,FRONT BRAKE	1
7	09161-10005	WASHER(10*15*1.5)	4
8	09360-10039	BOLT,BRAKE FLUID(10*22)	2
9	02112-74108	SCREW(4*10)	1

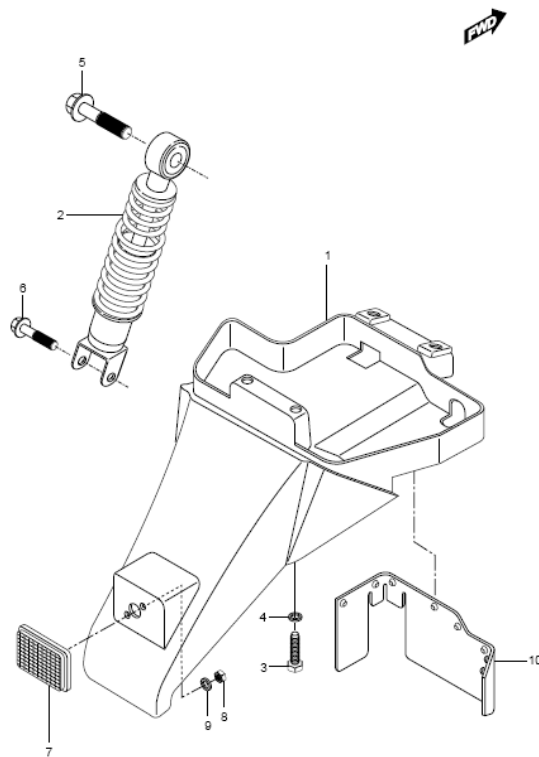
FIG.35



# FIG 36. REAR FENDER

REF.	PARTS NAME	Q'TY	
NO.LAT01			
1	63111HF1601	REAR FENDER,REAR	1
2	62100HB1400	SHOCK ABSORBER,REAR(6*16)	1
3	01104-06168	BOLT,REAR FENDER REAR	4
4	09169-06034	WASHER	4
5	61181-02C00	BOLT,REAR SHOCK ABSORBER UPPER(L=40)	1
6	09103-10019	BOLT,REAR SHOCK ABSORBER LOWER(L=37)	1
7	35970-24063	REFLEX REFLECTOR	1
8	08316-26055	NUT(5)	1
9	56275-34400	WASHER	1
10	63115HF1602	MUD GUARD, REAR FENDER REAR	1

FIG.36



# FIG 37. REAR WHEEL

REF.	PARTS NAME	Q`TY
NO. LAT01		
1	64140H1122003R WHEEL COMP,REAR(2.50*10DC)	1
1-1	64140H1122003P WHEEL COMP,REAR(2.50*10DC)	1
2	64123H11A00 RUBBER,BRAKE DRUM	1
3	65100HF1601 TIRE SET,REAR(100/80-10 53J)	1
4	55220-29C20 VLAVE ASSY,WHEEL RIM	1
5	64441H11201 CAM,REAR BRAKE	1
6	64451-02111 LEVER,REAR BRAKE CAM	1
7	64400HG2600 SHOE SET,REAR BRAKE	1
8	09443H08025 SPRING,BRAKE SHOE	2
9	12812-30A00 BOLT,REAR BRAKE CAM LEVER(6*34)	1
10	08316-16068 NUT,REAR BRAKE CAM LEVER(6)	1
11	09160-16025 WASHER,REAR AXLE	1
12	08319-21168 NUT,REAR AXLE(16)	1
13	63112HF1601 REAR FENDER,FRONT	1
14	02142-06165 SCREW,REAR FENDER PLATE & MUFF(6*16)	1
15	09148-04024 NUT,REAR FENDER FRONT R	1
16	02112-06165 SCREW,REAR FENDER FRONT(6*16)	1
17	63113HF1601 PLATE,REAR FENDER FRONT	1
18	03241-04168 SCREW,REAR FENDER PLATE & FENDER(4*16)	1

FIG.37

