



 **HYOSUNG**
MOTORS & MACHINERY INC.

REFERENCE

1.The detailed specifications of each model are referred by the persons who are in charge of overseas marketing team, Hyosung.

2.Special demand

When you order any colored parts including Fuel tank, please add color code to the end of parts number and it will be helpful to register your parts order.

※ Color code

0DB : DEEP BLUE

0MB : MIDNIGHT BLACK

0PR : PEARL CANDY RED

0SS : STARDUST SILVER METALLIC

HYOSUNG MOTORS & MACHINERY INC.

FIG 1. CYLINDER

FIG.1

REF.	DESCRIPTION	Q'TY
NO. LAT01		
1	11111H11200 CYLINDER HEAD	1
2	11141-02110 GASKET, cylinder head	1
3	08316-16068 NUT, cylinder head (M16)	4
4	09482-00059 SPARK PLUG (BP6HS)	1
5	11211HG2602PCY CYLINDER	1
6	11241HF1602 GASKET, cylinder	1
7	01421-06858 STUD BOLT, (M6X85)	4

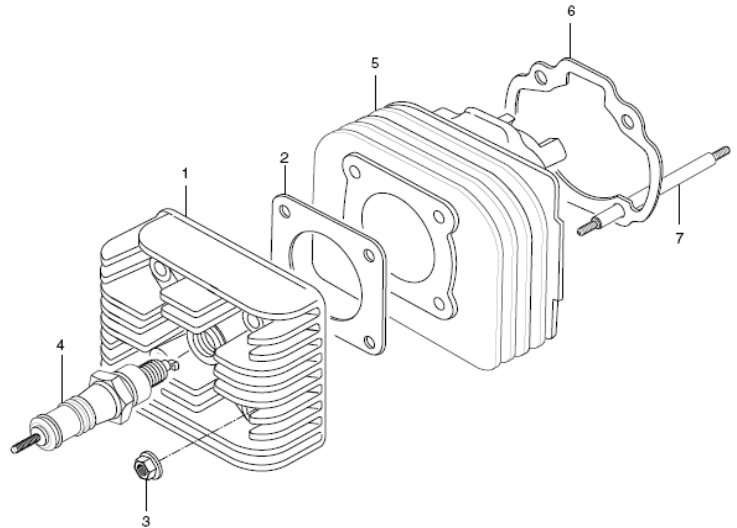


FIG 2. CRANK CASE

REF.	DESCRIPTION	Q'TY
NO. LAT01		
1	11310H11207HPA CRANK CASE, RH	1
2	09319-10027 BUSH, engine mounting	2
3	04213-09129 KNOCK PIN, crankcase	2
4	11320HG1700HPA CRANKCASE, LH	1
5	09319-10032 BUSH	1
6	02112-06508 SCREW(M6×50)	1
7-1	02112-06458 SCREW(M6×45)	1
7-2	02112-06408 SCREW(M6×40)	2
8	02112-06558 SCREW(M6×55)	1
9	11431HD2100PCR COVER, gear box	1
10	11484H11203 GASKET,gear box cover	1
11	01547-06208 BOLT, gear box cover	4
12	01547-06308 BOLT, gear box cover	2
13	04213-09129 KNOCK PIN	2
14	09247-100A8 PLUG, oil drain	1
15	09168H10003 GASKET, oil drain bolt	1
16	09250H11005 PLUG, oil filler	1
17	13110HB1102 PIPE COMP, intake	1
18	02112-96256 SCREW, intake pipe(M6×25)	4
19	NUT, engine mounting(M11)	1
20	13150HF1600 VALVE ASS'Y, reed	1
21	13125HF1601 GASKET, reed valve	1
22	13126HF1601 GASKET, intake pipe	2
23	09128-06026 SCREW, carburetor	2
24	09103H10122 BOLT,engine mounting	1
25	02112-06608 SCREW(M6×60)	2
26	64231-07903 PIN, rear brake anchor	1

FIG.2

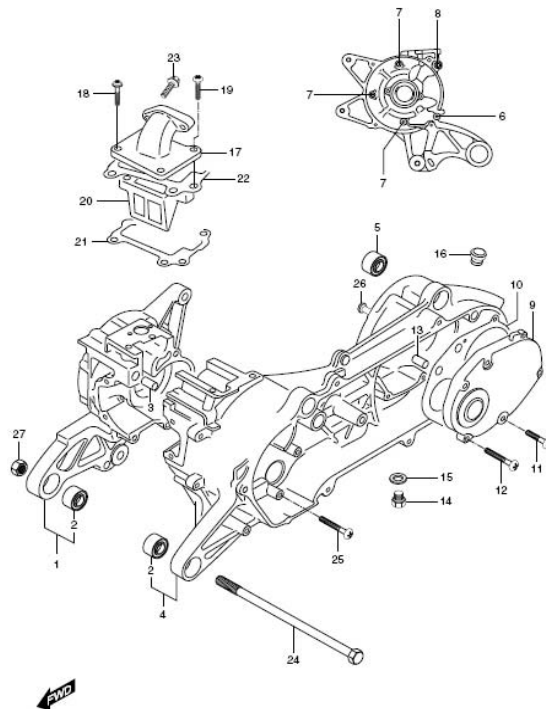


FIG 3. CLUTCH COVER

FIG.3

REF.	DESCRIPTION	Q'TY
------	-------------	------

NO.	LAT01			
1	11341HB1102999	COVER, clutch	1	
2	11452H11203	GASKET, clutch cover	1	
3	04213-11169	KNOCK PIN	2	
4	02112-06255	SCREW(M6×25)	6	
5	02112-06655	SCREW(M6×55)	1	
6	09285-14001	OIL SEAL, kick shaft	1	

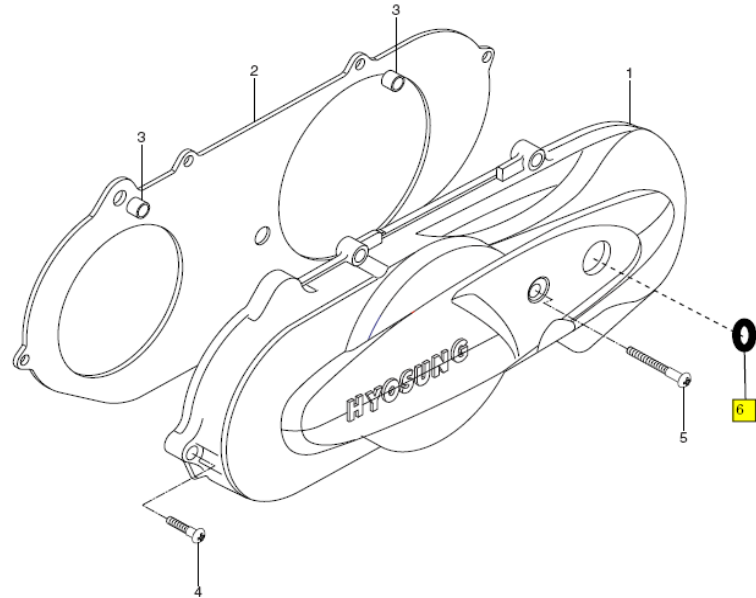


FIG. 4. CRANK SHAFT

REF. DESCRIPTION Q'TY
NO. LAT01

1	12110H11214PSA	PISTON	1
2	12141-35010	RING, piston 1st	1
3	12142-29C10	RING, piston 2nd	1
4	2 Ring only		
5	12151-46501	PIN, piston	1
6	09381-10006	CIRCLIP	2
7	12200H11200HPA	SHAFT ASS'Y, crank	1
8	12161-37B02	ROD, connecting	1
9	12211H11201888	PIN, crank	1
10	12221H11201CSA	CRANKSHAFT, RH	1
11	12261H11A00CSA	CRANKSHAFT, LH	1
12	09263H16004	BEARING, crank pin	1
13	09160H16040	THRUST WASHER, connecti	2
14	09262H250A2	BEARING	1
15	09283-25083	OIL SEAL (25×37×6)	1
16	09283-25083	OIL SEAL (25×37×6)	1
17	09284-20051	OIL SEAL,RH No.1	1
18	09262H250A2	BEARING	1
19	12620H11A00	GEAR, starter driven	1
20	09180H18005	SPACER	1
21	09263H10003	BEARING, piston pin	1

FIG.4

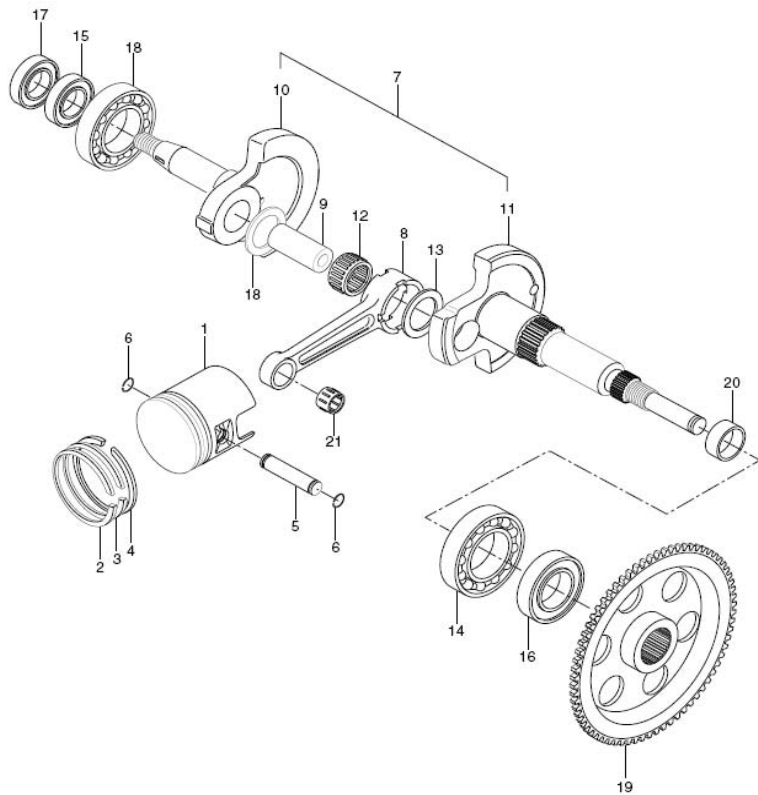


FIG 5. CARBURETOR

REF.	DESCRIPTION	Q'TY
NO. LAT01		
0	13091HB1103HAS CARBURETOR ASS'Y	1
1	09493-95001 AIR jet	1
2	09494-00660 JET,needle	1
3	13278-02340 O-RING	1
4	09492-17014 PILOT_jet	1
5	09491-65008 JET,main	1
6	09493-45001 STARTER_jet	1
7	13278-09400 O-RING	1
8	13684-39C20 HOSE	1
9	13250-47A00 FLOAT	1
10	13254-47A00 PIN,float	1
11	13370-47A00 VALVE ASS'Y,needle	1
12	13258-47A00 GASKET	1
13	13245-37B60 FLOAT BODY ASS'Y	1
14	13601-04148 SCREW	2
15	13683-46110 HOSE	1
16	09491HB110075 Main Jet	1
17	13295-29900 O-RING	1
18	13551-37B60 PISTON,valve	1
19	13383-03A90 JET,needle	1
20	13247HB1100 SCREW, Drain	1
21	13533-98410 E-RING	1
22	13583-39C00 CLIP	1
23	13573-37B60 SPRING	1
24	13260-39C00 CAP,top	1
25	13601-04128 SCREW	2
26	13430-39C21 ELEMENT ASS'Y, thermo	1
27	13601-04228 SCREW	2
28	13267-29A00 SCREW,adjuster	1
29	13268-35101 SPRING	1
30	13291-35010 WASHER	1

FIG.5

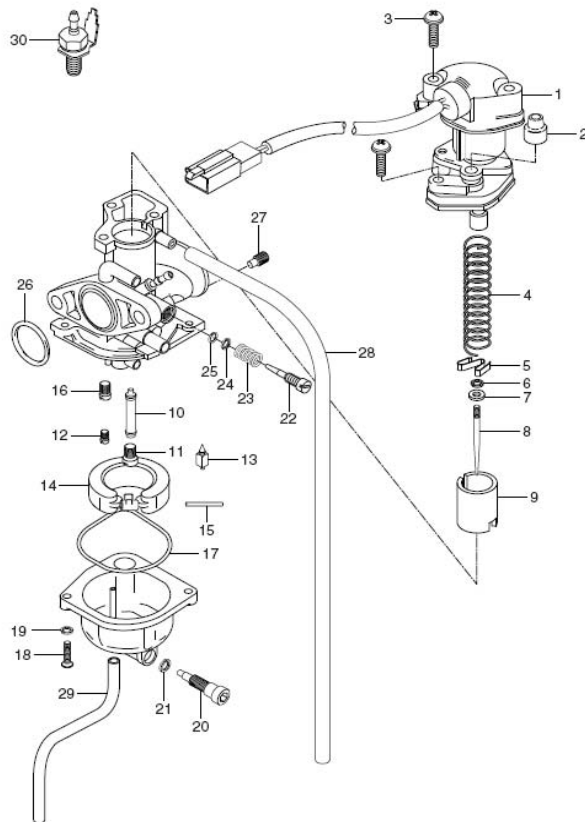


FIG 6. AIR CLEANER

FIG.6

REF.	DESCRIPTION	Q'TY
NO. LAT01		
1	13700HB1101 CLEANER ASS'Y, air	1
2	13720HB1101 CASE , air cleaner	1
3	13740H11211 CAP COMP, air cleaner	1
4	13750HB1100 PARTITION COMP,air cleane	1
5	13780H11211 FILTER ASS'Y, air cleaner	1
6	13791H11211 HOLDER,air cleaner	1
7	13881HB1101 TUBE,outlet	1
8	09402-34207 CRAMP,outlet tube	1
9	03051-06165 SCREW, tapping(M6×16)	2
10	02112-06258 SCREW (M6×25)	1
11	13821H11210 SLIDER, air cleaner	1
12	63115H11A00 GUARD,mud	1
13	13735HB1100 COVER, air cleaner	1

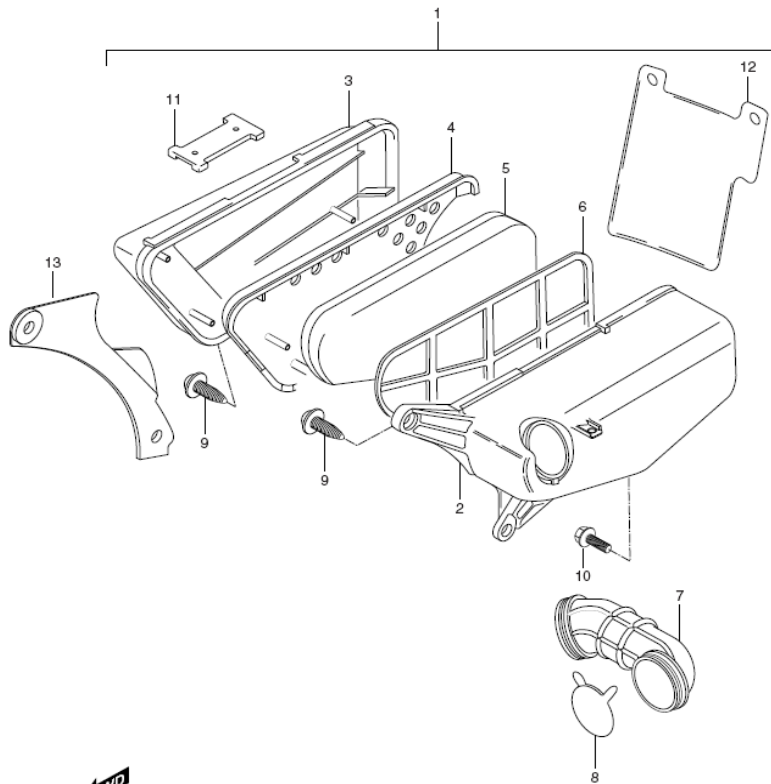
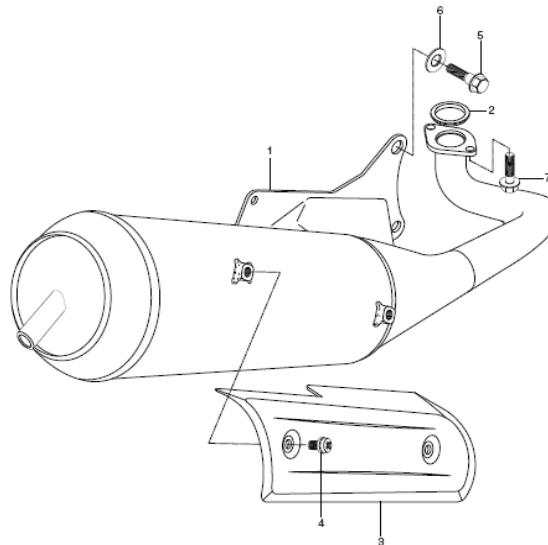


FIG 7. MUFFLER

REF. DESCRIPTION Q'TY
NO. LAT01

1	14310HB1100PAM BODY COMP, muffler	1
or	14310HB1100	
2	14181H11200 GASKET, exhaust pipe	1
3	14780HF3400 COVER, muffler plastic	1
	14780H11A00 COVER, muffler metal	
4	02112-96105 SCREW, muffler cover	2
5	09128-08001 BOLT, muffler (M8×20)	2
6	08321-31088 WASHER	2
7	01137-06258 STUD BOLT, exhaust pipe(Mt	2
8	18500HN3250 VALVE ASS'Y, 2nd Air	1
9	18631HR1150 HOSE, 2nd air valve NO.2	1
10	09401H18401 CLAMP, 2nd air valve hose	4
11	18610HR1151PAM PIPE COMP, 2nd air	1
12	02142-06203 BOLT, 2nd air pipe	1
13	02142-06168 SCREW, 2nd air pipe	2
14	18631HN3250 HOSE, 2nd air valve NO.1	1

FIG.7



8.18500HN3250	VALVE ASS'Y, 2nd air	U/S 1
9.18631HR1150	HOSE, 2nd air valve NO.2	U/S 1
10.09401H18401	CLAMP, 2nd air valve hose	U/S 4
11.18610HR1151PAM	PIPE COMP, 2nd air	U/S 1
12.02142-06203	BOLT, 2nd air valve	U/S 1
13.02142-06168	SCREW, 2nd air pipe	U/S 1
14.18631HN3250	HOSE, 2nd air valve NO.1	U/S 1

FIG 8. OIL PUMP

REF.	DESCRIPTION	Q'TY
NO. LAT01		
1	16100HE1125 PUMP ASS'Y, oil	1
2	16731H11202 GASKET, oil pump	1
3	02112-35168 SCREW, (M5×16)	2
4	16821H11200 HOSE,oil No.1	1
5	09401-08401 CLIP	2
6	16831HE1401 HOSE,oil No.1	1
7	09401-04401 CLIP	2
8	16331H11200 GEAR, oil pump pinion(NT:3C)	1

FIG.8

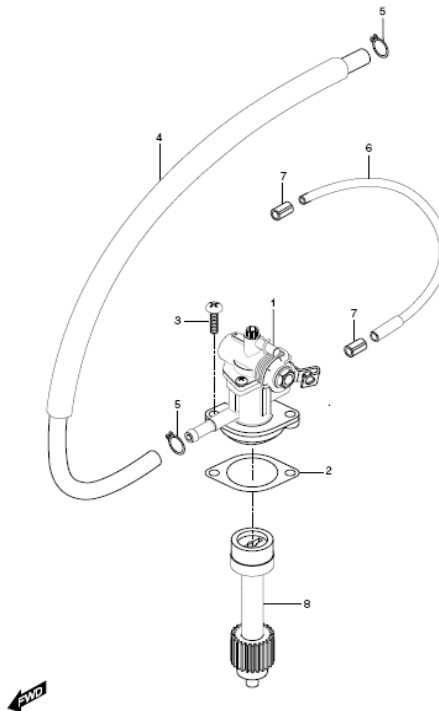


FIG 9. COOLING FAN

FIG.9

REF.	DESCRIPTION	Q'TY
NO. LAT01		

1	17110H11200	FAN COMP, cooling	1
2	02112-96168	SCREW(M6×16)	2
3	17120H11204	COWLING COMP, cylinder	1
4	02112-96168	SCREW(M6×16)	2
5	17140H11200	CASE, fan	1
6	02152-06168	SCREW(M6×16)	4
7	03151-06205	SCREW(M6×20)	1
8	17130H11200	COWLING, fan	1
9	03151-06205	SCREW(M6×20)	4
10	03141-06355	SCREW(M6×35)	2
11	09404-06401	CLAMP	1

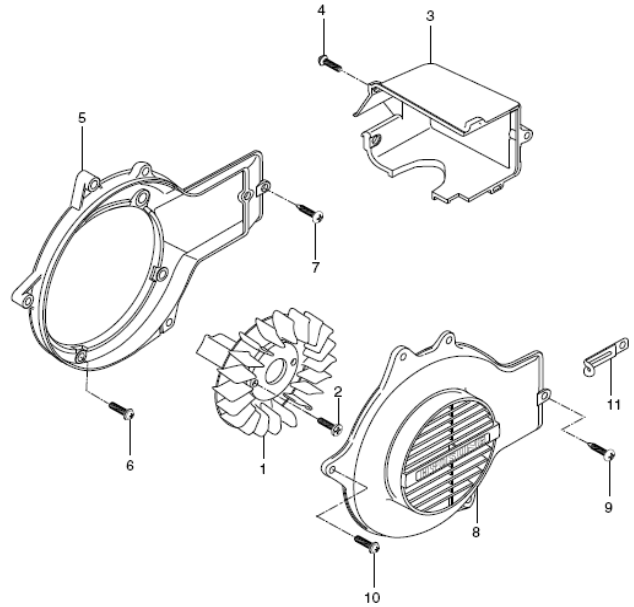


FIG 10. TRANSMISSION[1]

FIG.10

REF.	DESCRIPTION	Q'TY
NO. LAT01		
1	27601HB1100 V-BELT, drive	1
2	21110H11A02 FACE, fixed drive	1
3	21120H25E10 FACE COMP, movable drive	1
4	21431H11A01 PLATE, movable drive	1
5	21481-29C21 DAMPER, movable drive face	3
6	21652H11201 ROLLER, movable drive face	6
7	26282H11A00 NUT, kick starter driven	1
8	09440H14007 SPRING	1
9	26283H11200 SPACER	1
10	09180-16041 SPACER	1
11	08332-11079 E-RING	1
12	26280-29C00 GEAR, kick starter driven	1

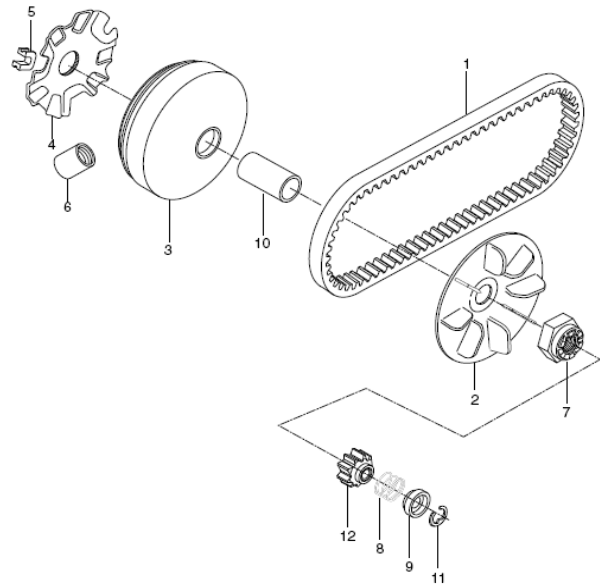


FIG 11. TRANSMISSION[2]

REF. DESCRIPTION Q'TY
NO. LAT01

REF.	DESCRIPTION	Q'TY
0	21210S37B00HPA FACE SET	1
1	24111H11223 SHAFT, drive (14T)	1
2	21210-37B00 FACE, fixed driven	1
3	09201H06002 PIN, movable driven	3
4	08120H69017 BEARING(12x24x6)	1
5	08331-41249 CIRCLIP	1
6	09263-17042 BEARING, fixed driven R (17:	1
7	09284-34002 OIL SEAL,	2
8	21240-37B00 FACE COMP, movable driven	1
9	09284-34002 OIL SEAL,(34x41x4)	2
10	09280-41005 O-RING	2
11	21471-03A02 SHEET, movable driven face	1
12	09440H52003 SPRING	1
13	21220-04C12 HOUSIGN, clutch	1
14	21501-29C10 SHOE, clutch	1
15	09140H28004 NUT(M28)	1
16	08316-26108 NUT(M16)	1
17	24310S11A00HPA GEAR ASS'Y, counter driven	1
17-1	24312H11222 GEAR, counter driven(11T)	1
17-2	24311H11A02 GEAR, counter driven(41T)	1
18	09160-15034 THRUST WASHER, RH	2
19	08113-62010 BEARING (12x32x10)	1
20	08113-62020 BEARING (15x35x11)	1
21	02122-06168 SCREW, retainer(M6×16)	2
22	09262H17001 BEARING (17x47x14)	1
23	09180H06042 SPACER,movable driven fin	1
24	09283H17002 OIL SEAL (17x27x5)	1
25	24141HD2100 SHAFT, rear axle	1
26	24331H11220 GEAR, final (40T)	1
27	08331-31229 CIRCLIP	1

FIG.11

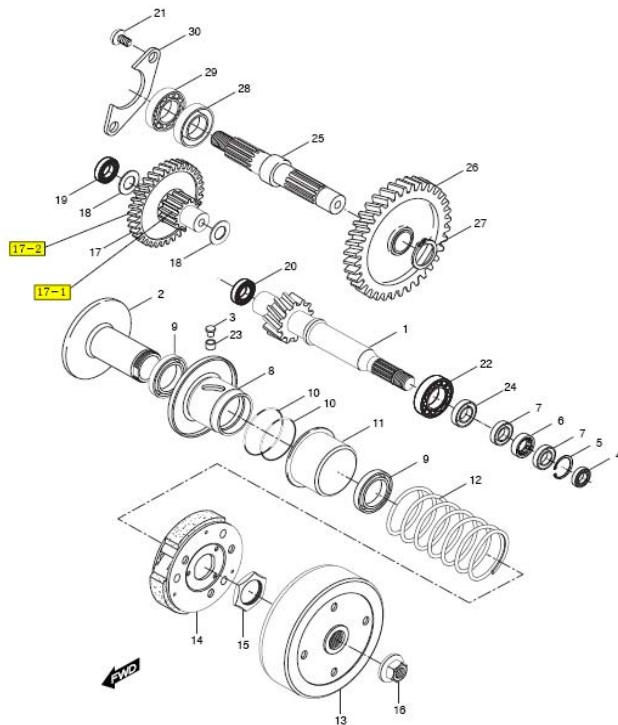


FIG 11. TRANSMISSION[2]

REF.	DESCRIPTION	QTY
NO. LAT01		

28	09283-27010	OIL SEAL(27x40x7)	1
29	08130-62047	BEARING, rear axleshaft	1
30	24751H07900	RETAINER	1

FIG.11

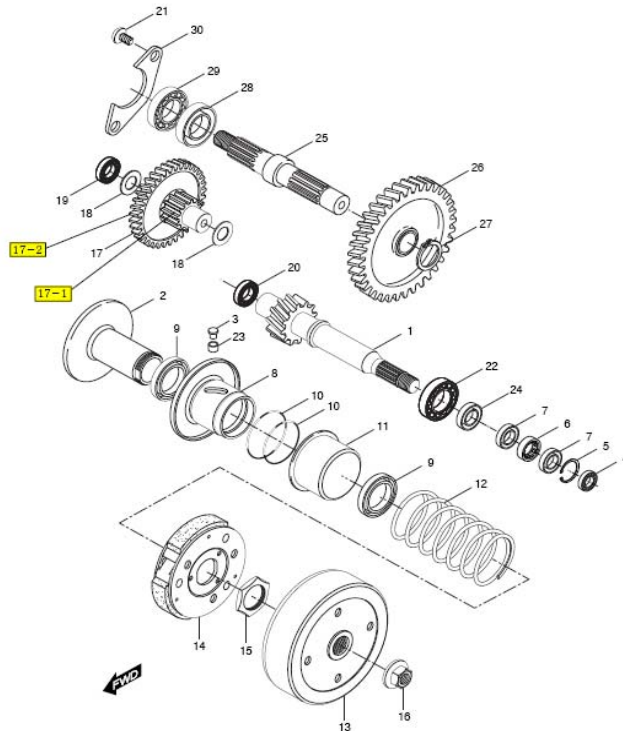


FIG 12. KICK STARTER

REF.	DESCRIPTION	Q'TY
NO. LAT01		
1	26210HE1100 SHAFT, kick starter	1
2	02142-06108 SCREW(M6×10)	1
3	09448-58003 SPRING	1
4	08331-31149 CLRCLIP	1
5	09285-14001 DUST SEAL(14×24×5)	1
6	26300H11200 LEVER ASS'Y, kick starter	1
7	01107-06208 BOLT, kick starter lever(M6×2	1

FIG.12

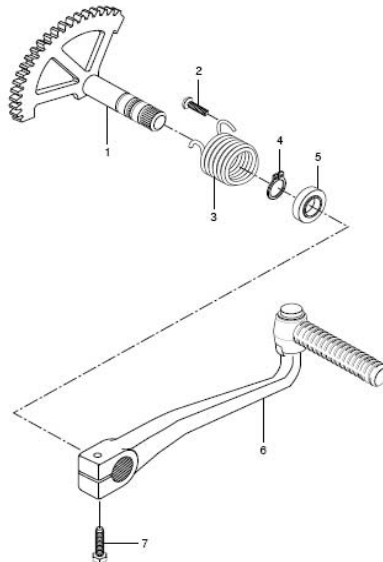


FIG 13. STARTING MOTOR

REF. DESCRIPTION Q'TY
 NO. LAT01

1	31100H11A02	MOTOR ASS'Y, starting	1
2	31311H11200	ARMATURE	1
3	31130-02100	HOLDER ASS'Y,brush	1
4	31131-02100	BRUSH SET	1
5	31156-02100	O-RING	1
6	31158-02540	GASKET	1
7	31158-02100	O-RING	1
8	31151-02540	SCREW B	2
9	31151-02100	SCREW A	3
10	31370H11200	PINION GEAR ASS'Y	2
11	31151-02100	LEAD WIRE	3
12	31152-02540	SCREW	1
13	09404-06404	CLAMP, lead wire	1

FIG.13

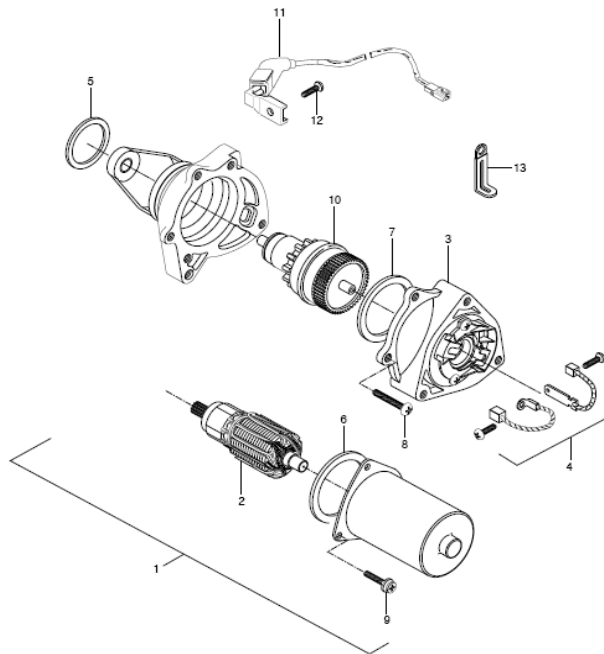


FIG 14. MAGNETO

REF.	DESCRIPTION	Q'TY	
NO. LAT01			
0	32100HG2680	MAGNETO ASS'Y	1
1	08316-26108	NUT, magneto rotor(M10)	1
2	08321-31108	LOCK WASHER, magneto	1
3	08322-21108	WASHER, magneto	1
4	08341-31039	KEY, magneto	1
5	09132H05128	SCREW, magneto stater(M5X	3
6	02112-05106	SCREW, pick up coil(M5X10)	2
7	32101HG2680	STATOR ASS'Y	1
8	32102HG2670	ROTOR ASS'Y	1
9-A	09404-16404	CLAMP, magneto lead wire	1
9-B	02112-04086	SCREW	1
10	09120-06081	SCREW	2

FIG 14

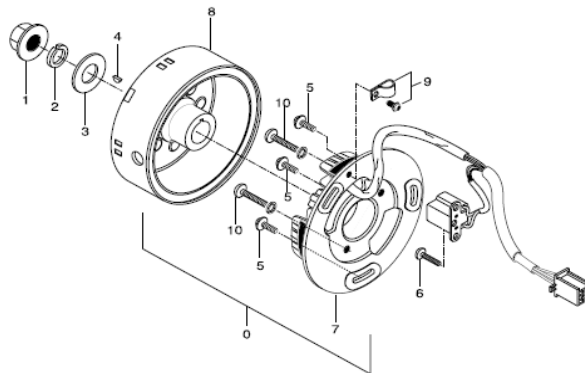


FIG 15. ELECTRICAL

REF. NO.	DESCRIPTION	Q'TY
LAT01		
1	33410H11210 COIL ASS'Y,	1
2	02112-46208 SCREW, ignition coil(6×20)	2
3	33510H11200 CAP, spark plug	1
4	33543H11200 BOOT, spark plug cap	1
5	33610-40B12 BATTERY(12V, 4AH)	1
6	32900HF3501 C.D.I UNIT	1
7	31800H47A00 RELAY ASS'Y, starting motor	1
8	02142-06168 SCREW,(6×16)	2
9	32800-36C20 RECTIFIER ASS'Y	1
10	01517-06166 BOLT, turn signal relay	1
11	38610HL7350 RELAY ASS'Y, turn signal	1
12	08316-26066 NUT, turn signal relay	1

FIG.15

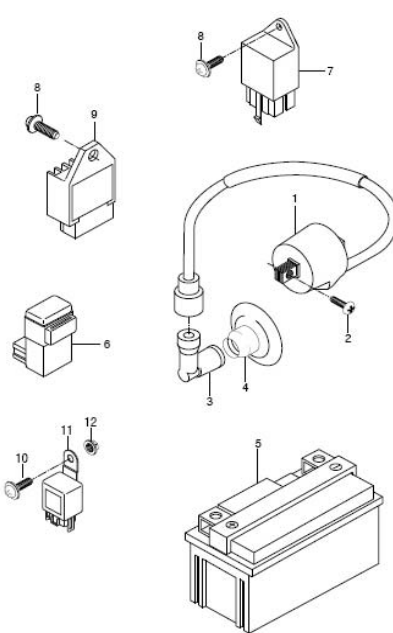


FIG 16. SPEEDOMETER

REF.	DESCRIPTION	Q'TY
------	-------------	------

1	34100HB1404	SPEEDOMETER ASS'Y	1
2	03241-05165	SCREW,(5×16)	1
3	03241-05206	SCREW,(5×20)	2
4	34170NF1600	CORD	1
5	34910HB1101	CABLE ASS'Y, speedometer	1

FIG.16

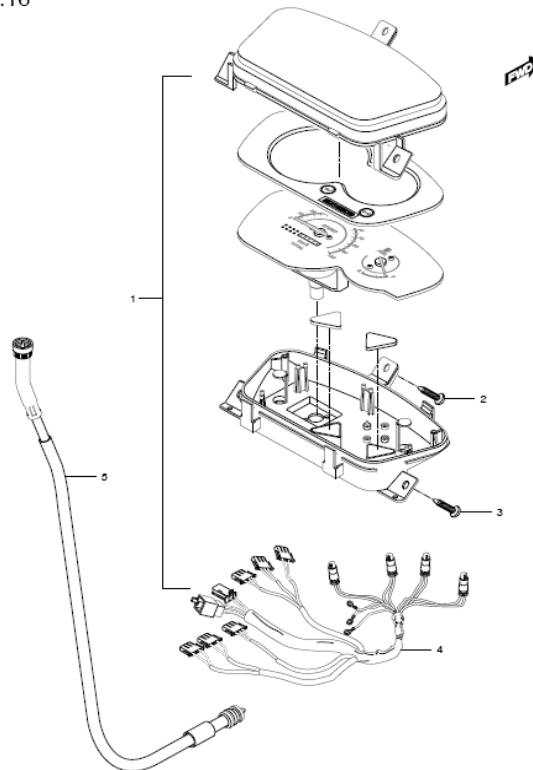


FIG 17. HANDLE COVER

REF. NO.	LAT01	DESCRIPTION	QTY
1	56310HF1610	COVER,handle front (OPR,0M	1
2	56321H11A03	COVER,rear	1
3	02142-05125	SCREW, handle cover F/T, R/I	2
4	03211-05166	SCREW, handle cover R/R upl	2
5	03241-04165	SCREW, handle cover R/R sid	2
6	37430HE6100	DIMMER SWITCH	1
7	37220HE6100	START SWITCH	1
8	37410HF4530	TURN SWITCH	1
9	37420HE6100	HORN SWITCH	1
10		LIGHTING SWITCH	1
11	56315-36C00	BOSS,handle cover rear	2

FIG.17

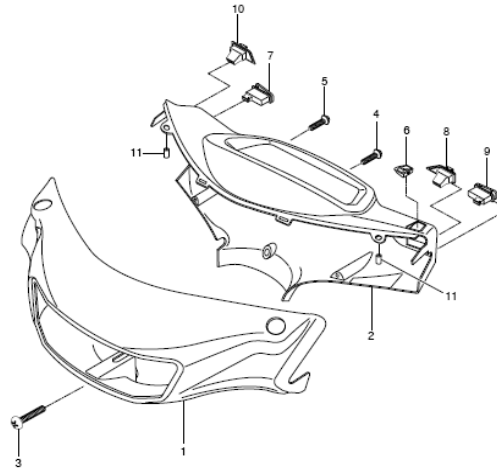


FIG 18. HEAD LAMP

REF. DESCRIPTION Q'TY

NO. LAT01

1	35100H11A10	HEAD LAMP ASS'Y	1
2	35151H11200	BOLT,head lamp aiming(4×11	1
3	35128H11200	WASHER, head lamp aiming	1
4	35135H11200	NUT, head lamo aiming	1
5	09471-12013	BULB, head lamp(12V 18/18w	2
6	08322-21068	WASHER	1

FIG.18

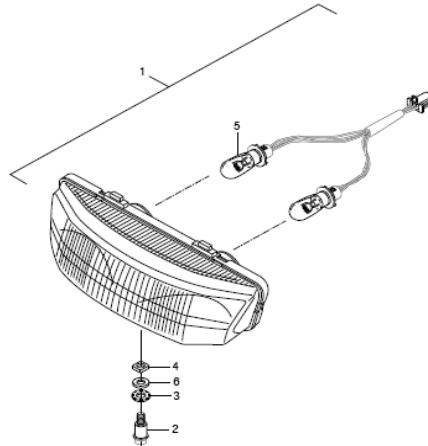


FIG 19. REAR COMBINATION LAMP

REF.	DESCRIPTION	Q'TY
NO. LAT01		

1	35710HB1405	LAMP ASS'Y, rear combinatic	1
2	08316-26066	NUT(M26)	1
3	35970H11A02	REFLEX REFLECTOR ASS'Y	1
4	08310-11058	NUT(M11)	1
5	09160-06027	WASHER	1
6	35770H11A00	LICENSE LENS	1
7	09741-12046	BULB, stop & tail lamp(12V 21)	1
8	03211-04205	SCREW(M4×20)	2
9	35712H11A00	LENS, stop & tail lamp	1
10	35652HB1400	LENS, rear T/ signal, R	1
11	35672HB1400	LENS, rear T/ signal, L	1

FIG.19

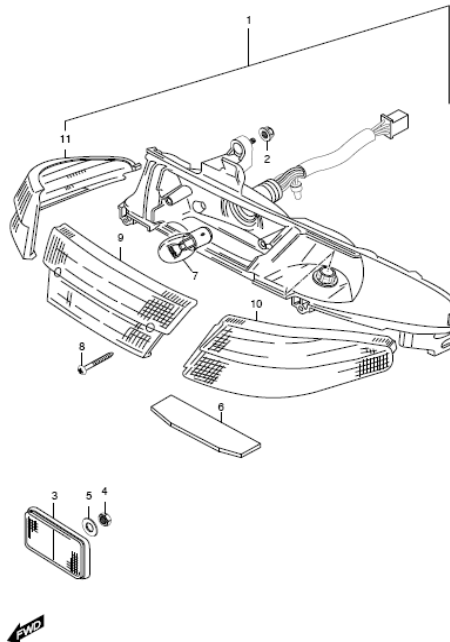


FIG 20. WIRING HARNESS

REF.	DESCRIPTION	Q'TY
NO. LAT01		
1	36610HF1962 WIRING HARNESS	1
2	09407-22402 CLAMP, wiring harness	1
3	09404-06404 CLAMP, wiring harness	1
4	36740-350A0 FUSE ASS'Y	1
5	38500HG1900 HORN ASS'Y	1
6	01517-06128 BOLT	1
7	37100HB1430 LOCK ASSY, steering	1
8	09139H06016 SCREW, steering lock	2
9	09407-14403 CLAMP, wiring harness	1
10	33651H11200 BAND, battery	1

FIG.20

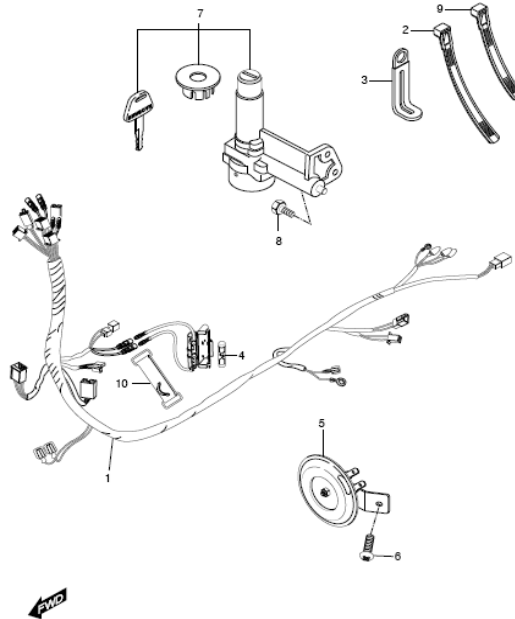


FIG 21. FRAME

REF. DESCRIPTION Q'TY

NO. LAT01

1	41100HF3401PAM	FRAME ASS'Y	1
2	41530H11A02	PLATE, leg shield front, lower	1
3	08316-26066	NUT(M6)	2
4	61110H11203	LINK, engine mounting	1
5	09103-12045	BOLT	1
6	08319-31126	NUT(M12)	1
7	61121H11201	CUSHION	1
8	09319H12025	BUSH	2
9	09250H10001	CAP	2
10	41489H11201	COVER, frame body, lower	1
11	02142-06128	SCREW(M6×12)	1
12	53181HG1900	FENDER, FR UPPER	1

FIG.21

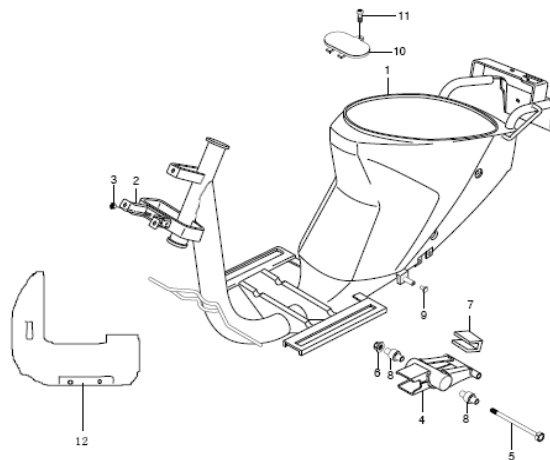


FIG 22. STAND

REF.	DESCRIPTION	Q'TY
NO. LAT01		

1	42110HG1700	STAND, center	1
2	42211-41D00	SHAFT, center stand	1
3	08322-11106	WASHER	1
4	04111-20208	COTTER PIN	1
5	09443-17005	SPRING, center stand	1
6	09321-10007	CUSHION	1
7	01104-06258	BOLT,center stand spring(M11)	1
8	08310-11068	NUT, center stand spring(M11)	1
9	42310HF3402	STAND, prop	1
10	09100-10031	BOLT, prop stand(M10×33)	1
11	08310-11108	NUT, prop stand (M11)	1
12	09443H14037	SPRING, prop stand	1
13	09443-10001	SPRING, prop stand inner	1
14	09443-06001	SPRING, prop stand inner	1

FIG.22

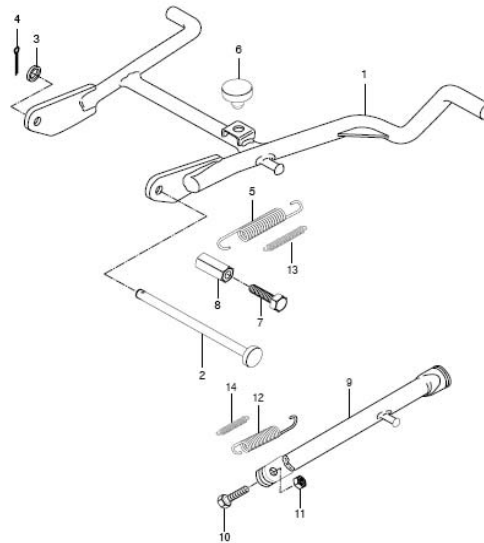


FIG 23. FUEL TANK

REF. DESCRIPTION Q'TY

NO. LAT01

1	44100H11A00	TANK COMP, fuel	1
2	34810H11A01	GAUGE ASS'Y, fuel level	1
3	44587H11200	CAP,fuel level gauge	1
4	44241H11202	GASKET, No.1	1
5	44261H11202	GASKET, No.2	1
6	44200H11203	CAP, fuel tank	1
7	44236H11200	HOSE, air vent(L=430)	1
8	09401-08401	CLIP, air vent	2
9	44199H11202	HOSE,fuel inlet(L=170)	1
10	09401-11401	CLIP,fuel inlet No.1	1
11	09401-10401	CLIP,fuel inlet No.2	1
12	44322-27001	FILTER,fuel	1
13	01517-06208	BOLT, fuel cock(M6X20)	1
14	08319-21068	NUT, fuel cock(M21)	1
15	44300-11B01	COCK ASS'Y, fuel	1
16	44196H11A02	HOSE, fuel outlet No.1(L=40)	1
17	09401-08401	CLIP, hose	2
18	44281-29C00	PROTECT, fuel tank	6
19	09343-05018	HOSE, vacuum(L=180)	1
20	09401-08401	CLIP, fuel outlet hose	4
21	63411-35B00	CUSHION, fuel tank upper	2
22	44910HG2600	STARINER COMP, fuel	1
23	44197HB1100	HOSE, fuel outlet No2.(L=170)	1

FIG.23

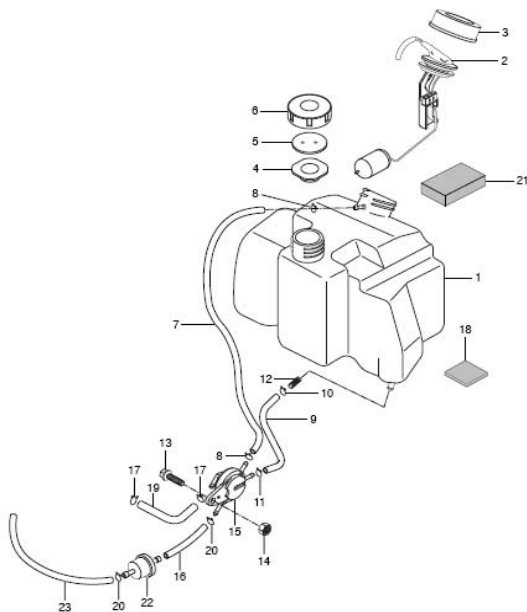


FIG 24. OIL TANK

REF.	DESCRIPTION	Q'TY
NO. LAT01		
1	44610H11A00 TANK SET, oil	1
2	44651-050A3 CAP, oil tank	1
3	44661-305A1 GASKET, No.1	1
4	37880H11200 SWITCH ASS'Y, oil level	1
5	44643-31000 GASKET	1
6	44281-29C00 PROTECTOR, oil tank	1
7	63411-35B00 CUSHION, oil tank upper	1

FIG.24

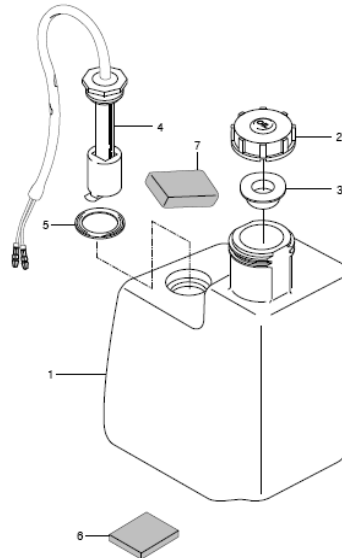


FIG 25. SEAT

REF. DESCRIPTION Q'TY

NO. LAT01

1	45100H11A01HAS SEAT SET	1
2	45285H11203 BRACKET, seat support upper	1
3	09321H 10003 CUSHION	2
4	45211H11200 MOULDING, seat	1
5	45700H11201 LOCK, ASS'Y seat	1
6	02112-06168 SCREW(M6×16), seat lock	2
7	47181H11A01 COVER, frame upper	1
8	46411H41D00 CARRIER, rear	1
9	07110-05168 BOLT, rear carrier upper(M5×	2
10	46211H09E00 HANDLE, pillion rider	1
11	46431HB1100121 BRACKET, rear carrier rear	1
12	01517-06208 BOLT, rear carrier lower(M6×	2
13	09321-10001 CUSHION, seat	1
14	01137-06258 BOLT,handle pillion rider(M6:	4
15	46420HB1100121 BRACKET COMP, rear carrier	1
16	01517-06168 BOLT,rear carrier F/T bracket	1
17	02142-06128 SCREW(M6X12),upper cover	1
18	02142-06125 SCREW(M6X12)	3
19	45284H11203 BRACKET, seat support lower	1
20	45215-39C01 BOLT, seat bracket	1
21	08310-11068 NUT, seat bracket	1
22	08316-26066 NUT, lower bracket	2

FIG.25

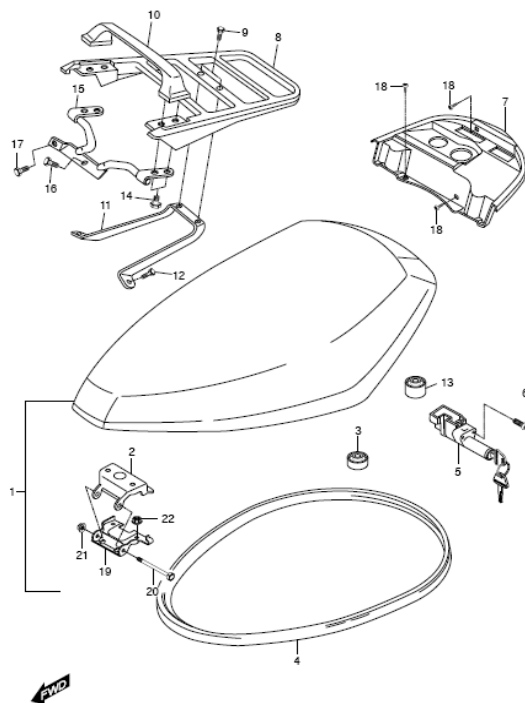
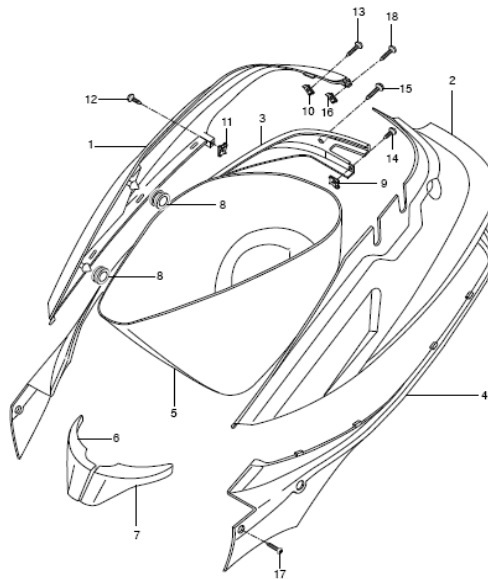


FIG 26. SIDE COVER

REF. DESCRIPTION QTY
NO. LAT01

1	47111H11A00	SIDE COVER, R (CPR,CMB,C	1
2	47211H11A00	SIDE COVER, L (CPR,CMB,C	1
3	47131H11A00	SIDE COVER, lower, R	1
4	47231H11A00	SIDE COVER, lower, L	1
5	92211H11200	COVER, helmet	1
6	92221H11201	GUIDE,RH	1
7	92321H11201	GUIDE,LH	1
8	09320-08013	CUSHION	4
9	09148-05004	NUT, lower(M4)	1
10	09148-05004	NUT, upper(M5)	1
11	09148-05020	NUT, side(M5)	2
12	03241-04128	SCREW, side (M4X10)	2
13	03241-15125	SCREW, upper(M5X12)	1
14	03241-05125	SCREW, lower(M5X14)	1
15	03241-05256	SCREW, rear(M5X25)	2
16	09148-04024	NUT, side cover rear lower(M4	1
17	03241-05165	SCREW,(M5X16)leg shield re	2
18	03241-05128	SCREW, side cover rear lower	1

FIG.26



← FUNC

FIG 27. FRONT LEG SHIELD

REF. DESCRIPTION Q'TY

NO. LAT01

1	48111HE3100	LEG SHIELD,front (CPR,CMI	1
2	48137HF3400	LEG SHIELD,lower	1
3	09148-04024	NUT, leg shield front & cover	1
4	03241-05165	SCREW, leg shield front & cov	1
5	03241-04256	SCREW, leg shield front & cov	1
6	03241-05165	SCREW, leg shield cover & re	1
7	03241-04168	SCREW, leg shield lower & si	1
8	92111HE3100	COVER, leg shield	1
9	92112HE3100	COVER, battery	1
10	02112-05125	SCREW, battery cover(5X12)	1
11	09169-06034	WASHER, leg shield cover	3
12	02142-06165	SCREW, leg shield cover (6X1	1
13	02142-06125	SCREW, leg shield cover (6X1	1
14	03241-04165	SCREW, leg cover & F/T lowe	2
15	03241-04165	SCREW, leg cover & lower up	2
16	02142-06125	SCREW, leg cover & lower lo	1
17	03241-05165	SCREW, leg cover & lower lo	2
18	92510HF1601	KNOB COMP, cover leg shield	2
19	35601HF1620	LAMP ASS'Y, front turinsigna	1
20	35602HF1620	LAMP ASS'Y, front turinsigna	1
21	09471-12045	BULE, front turnsignal (12V P	2
22	03241-05128	SCREW, front turnsignal lamp	6
23	33651H11200	CUSHION,battery	1
24	03211-04166	SCREW, turnsignal lens	2

FIG.27

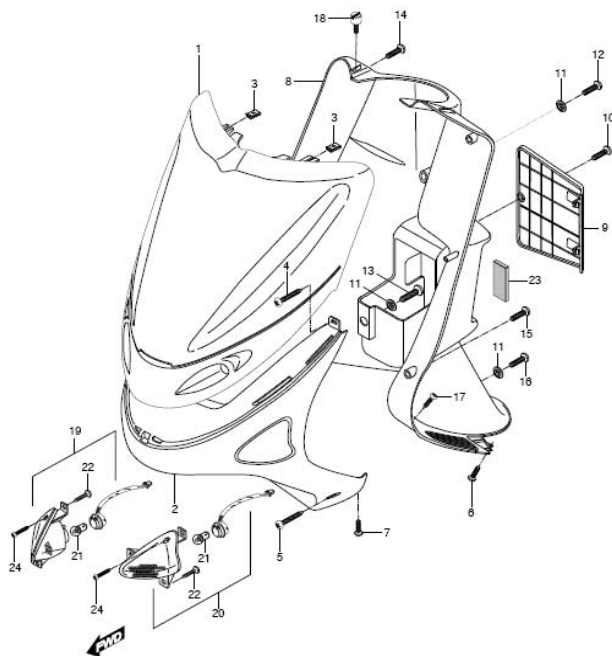


FIG 28. REAR LEG SHIELD

REF. DESCRIPTION Q'TY
NO. LAT01

1	48121H11A02	LEG SHILED, rear	1
2	09148-05020	NUT, (M5)	2
3	09148-05020	NUT, (M5)	2
4	03241-05168	SCREW, (M5X16)	2
5	09148-04024	NUT, (M4)	2
6	09148-04024	NUT, (M4)	2
7	48285H11A00	SIDE LEG SHIELD, RH	1
8	48286H11A00	SIDE LEG SHIELD, LH	1
9	03241-05165	SCREW(M5X16)	2
10	01517-06165	BOLT, (M6X16)	4
11	09169-06034	WASHER	4

FIG.28

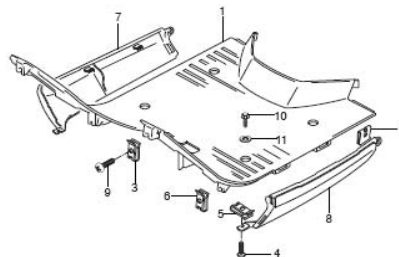


FIG 29. FRONT FORK

REF. DESCRIPTION Q'TY

NO. LAT01

0	51100HB1300HPA	FORK ASS'Y, front	1
1	51210HB1300	BOTTOM CASE COMP, R	1
2	51220HB1300	BOTTOM CASE COMP, L	1
3	51111H11A00	FORK, pipe	2
4	51400HB1100	STEM, front fork steering	1
5	51211H11A01	UNDER BRACKET ASS'Y	1
6	51351H11A00	FORK BOLT	2
7	51181H11A00	O-RING, fork bolt	2
8	51171H11A00	SPRING	2
9	51196H11A00	PISTON RING	2
10	51177H11A00	REBOUND SPRING	2
11	51146H11A00	PIPE SEAT	2
12	36618-02100	COVER, steering stem lock	1
13	51632-02400	NUT, steering stem lock(M25)	1
14	09166-26001	WASHER, steering stem lock	1
15	51631-28000	NUT, steering stem	1
16	51643-25001	DUST SEAL, steering upper	1
17	51621-28000	RACE, steering outer upper	1
18	06111-06004	BALL, steering stem	47
19	51611-20002	RACE, steering inner upper	1
20	51612-04000	RACE, steering inner lower	1
21	01174-06168	BOLT, brake hose clamp	1
22	59268H11A00	CLAMP, brake hose	1
23	01174-06168	BOLT, speedmeter cable guide	1
24	51418H11A00	GUIDE, speedmeter cable	1
25	51148H11A00	PACKING	2
26	51147H11A00	SOCKET, bolt	2
27	51173H11A00	DUST BOOT	2
28	51156H11A00	STOPPER RING,oil seal	2
29	51153H11A00	OIL SEAL,front fork	2
30	51622-04000	RACE, steering outer lower	1

FIG.29

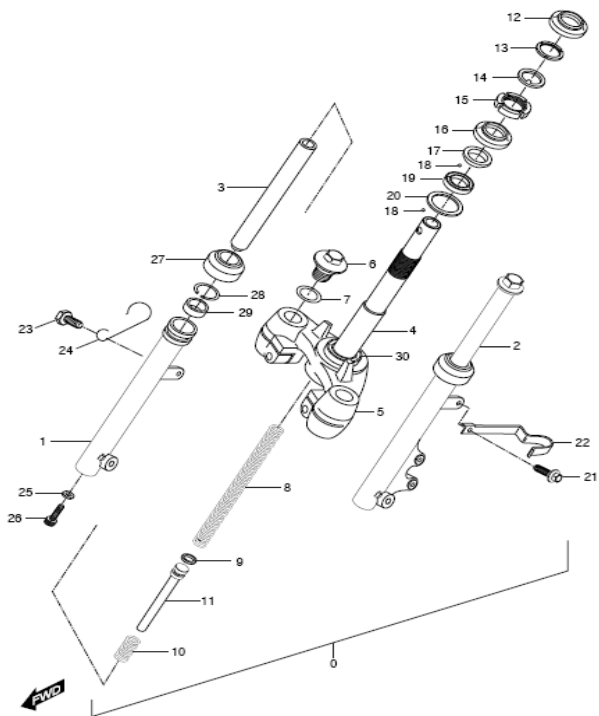


FIG 30. FRONT FENDER

REF. NO.		DESCRIPTION	Q'TY
1	53111HG1700	FENDER,front (OPR,0MB,0D	1
2	09169-06034	WASHER, front fender	3
3	53121H11A00	PLATE,front fender	1
4	53122H11A20	PLATE,front fender rear	1
5	08316-26088	NUT, front fender plate(8)	1
6	01104-06168	BOLT(6X16)	3
7	08321-31086	WASHER	2
8	09100H08001	BOLT, front fender plate	1
9	09100H08260	BOLT, front fender plate	1

FIG.30

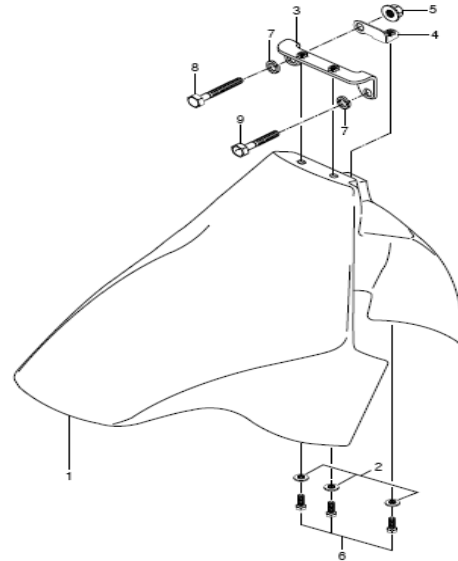


FIG 31. FRONT WHEEL

REF.	DESCRIPTION	Q'TY
NO. LAT01		
1	54140H41D00 WHEEL, front(2.15X10DC)	1
2	08123-62007 BEARING, front wheel	2
3	54730-41D00 SPACER, wheel bearing	1
4	54711H11A00 AXLE, front	1
5	09285-16002 SEAL,oil	1
6	54741-29C00 SPACER, axle LH	1
7	08319-31108 NUT, (M10)	1
8	54600-28B00 BOX ASS'Y, speedometer gear	1
9	59211-29C10 DISK, front brake	1
10	59421-03A01 BOLT, front disk	3
11	08319-21088 NUT(M8)	3
12	55109-41D11 TIRE COMP, front	1
13	55220-41D10 VALVE ASS'Y	1

FIG.31

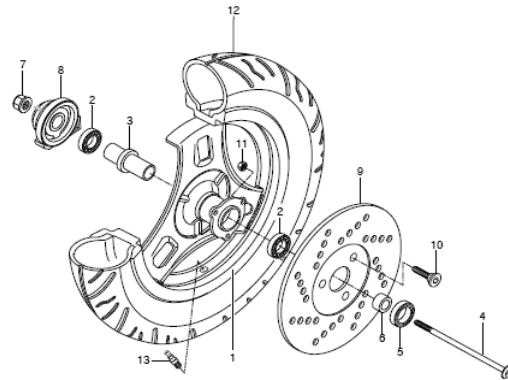


FIG 32. HANDLE BAR

REF. DESCRIPTION QTY
NO. LAT01

1	56110HF1601	HANDLE BAR COMP	1
2	09103-10055	BOLT, handle bar(10X40)	1
3	08319-31108	NUT, handle bar	1
4	56123-29C00	BOLT, handle bar(8X30)	1
5	58300HF1600	CABLE ASS'Y, throttle	1
6	58510H11A00	CABLE COMP, rear brake	1
7	09403-09301	GUIDE, cable	1
8	58591H11A00	PLATE, rear brake cable	1
9	01134-06208	BOLT, rear brake cable plate(6	1
10	01134-06128	BOLT, cable guide	1
11	56500HF1602	MIRROR ASS'Y, rear view R	1
12	56600HF1602	MIRROR ASS'Y, rear view L	1
12-A	56501HF1602	MIRROR SET	
13	03211-05166	SCREW(5X16)	2
14	09440H06013	SPRING	1
15	09209H11005	LEVER PIN	4
16	09150-01501	ADJUST NUT, rear brake	1
17	09404-06401	CLAMP, throttle cable	1

FIG.32

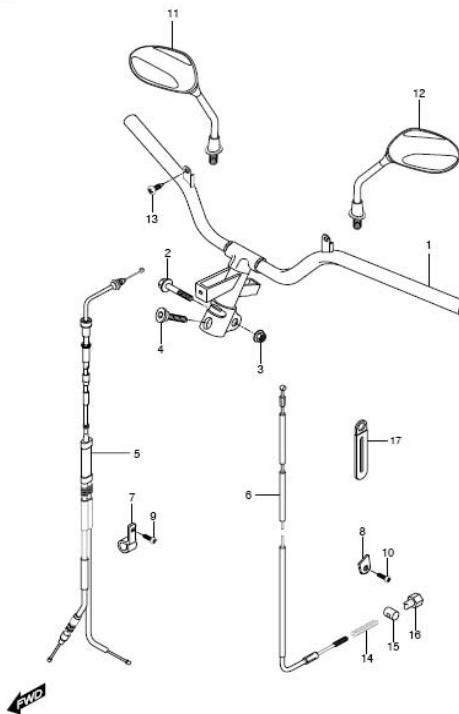


FIG 33. HANDLE SWITCH

REF. DESCRIPTION Q'TY
NO. LAT01

1	57110HE7101	GRIP COMP, throttle	1
2	57100-29C00	CASE ASS'Y, throttle	1
3	02112-05028	SCREW, throttle case(5X20)	1
4	09136-05040	SCREW, throttle case(5X16)	1
5	57211HE7101	GRIP, L	1
6	57511HE7101	HOLDER, brake lever	1
7	02112-06028	SCREW, holder(6X20)	1
8	57421-03A11	LEVER, brake	1
9	57431-13010	SCREW,brake lever pivot(5X2	1
10	08319-21068	NUT, brake lever pivot	1
11	57460-17C00	SWITCH ASS'Y, stop lamp	1

FIG.33

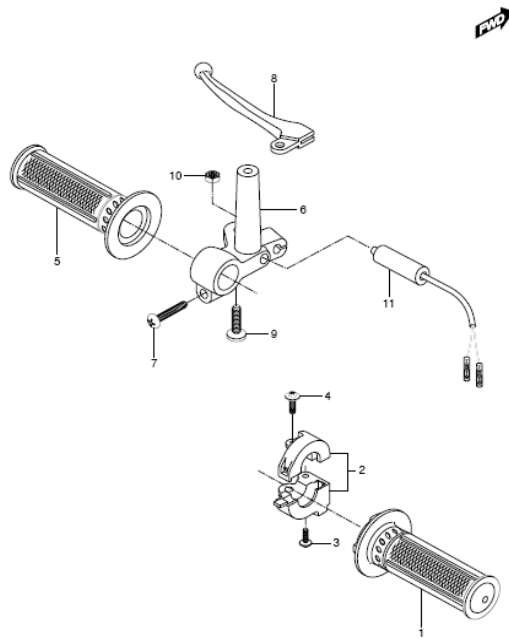


FIG 34. CALIPER

REF.	DESCRIPTION	Q'TY
NO. LAT01		
1	59300-03A3090U CALIPER ASS'Y	1
2	59300-03810 PISTON SET	1
3	59170-03A00 SEAL	1
4	59308-03A00 BOOT	1
5	59300-03860 PAD SET.caliper	1
6	59315-36500 SPRING	1
7	59313-36A00 CARRIER, LH	1
8	59312-36500 BOOT	1
9	59313-36500 INSULATOR	1
10	59121-18410 BLEEDER	1
11	59122H18420 CAP	1
12	07120-08208 BOLT,caliper	2
13	59360-03A30 HOUSING, caliper	1

FIG.34

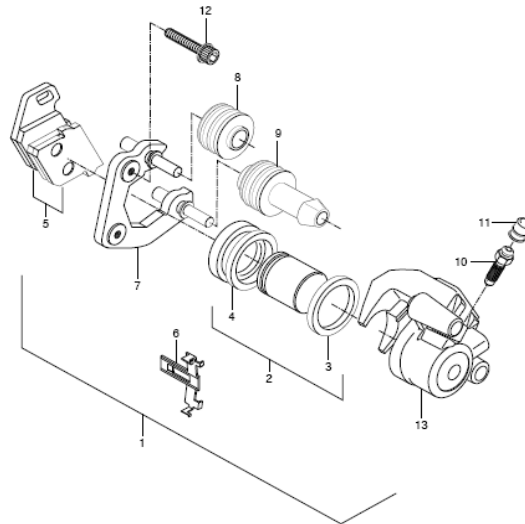


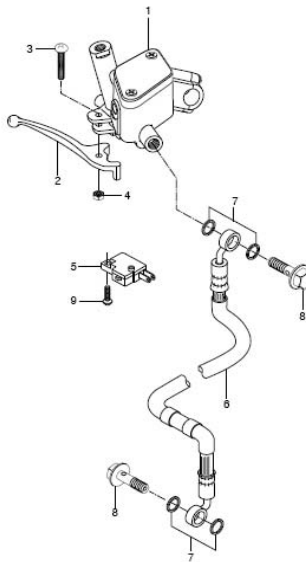
FIG 35. FRONT MASTER CYLINDER

REF. DESCRIPTION Q'TY

NO. LAT01

1	59600-36C01	CYLINDER SET, front master	1
2	57421-13A11	LEVER, brake	1
3	57431-13010	SCREW, brake lever pivot	1
4	08319-21068	NUT(6)	1
5	57460-17C00	SWITCH ASS'Y, stop	1
6	59480H11A03	HOSE COMP, front brake	1
7	09161-10005	WASHER(10X15X1.5)	4
8	09360-10039	BOLT, brake fluid(10×22)	2
9	02112-74108	SCREW(4×10)	1

FIG.35



← PWD

FIG 36. REAR FENDER

REF. DESCRIPTION Q'TY
NO. LAT01

1	63111HG1700	REAR FENDER, rear	1
2	62100-07901	SHOCK ABSORBER, rear	1
3	01104-06168	BOLT, rear fender rear(M6X16)	4
4	09169-06032	WASHER	4
5	63112H11200	REAR FENDER, front	1
6	09136-06017	SCREW(M6X16)	1
7	03142-04169	SCREW(M4X16)	1
8	09148-04024	NUT(M4)	1
9	61181-02C00	BOLT,upper	1
10	09103-10019	BOLT,lower	1

FIG.36

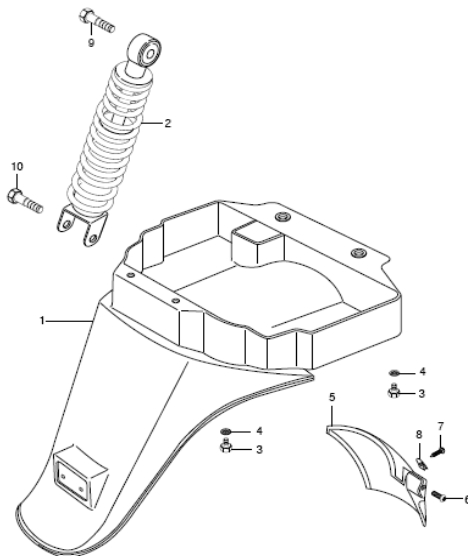


FIG 37. REAR WHEEL

REF.	DESCRIPTION	Q'TY
NO. LAT01		
1	64140H11220 WHEEL, rear (2.50X10DC)	1
2	64123H11A00 RUBBER, brake drum	1
3	08319-21168 NUT(M16)	1
4	55109-41D11 TIRE , rear	1
5	64441H11201 CAM, brake	1
6	64451-02111 LEVER, brake cam	1
7	64400HG2600 SHOE , rear brake	2
8	09443H08025 SPRING	2
9	01517-06308 BOLT,(M6X30)	1
10	08316-16068 NUT(M16)	1
11	09160-16025 WASHER	1

FIG.37

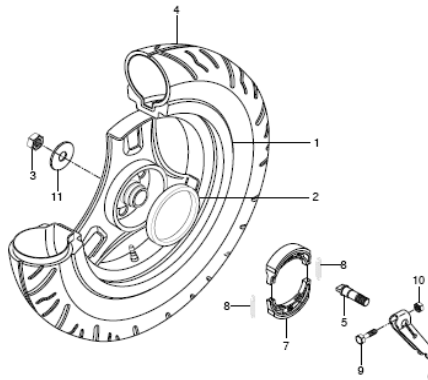


FIG 38. REAR TURN SIGNAL LAMP

REF.	DESCRIPTION	Q'TY
NO. LAT01		

1	35603HE3400	LAMP ASS'Y rear turnsignal F	1
2	09471-12142	BULB, rear turnsignal lamp R(1
3	35604HE3400	LAMP ASS'Y rear turnsignal I	1
4	09471-12142	BULB, rear turnsignal lamp R(1
5	02142-06255	SCREW, rear turnsignal lamp	2
6	08316-26066	NUT, rear turnsignal lamp	2
7	35635HB1400	SPACER, RR turn signal R.	1
8	35636HB1400	SPACER, RR turn signal L.	1

FIG.38

