

FIG 1. CYLINDER HEAD

REF.	PARTS NAME	Q'TY
NO. LAT01		(PCS)
1	11100HG5802PCH HEAD ASS'Y, CYLINDER	1
2	11110HG5801PCH HEAD COMP, CYLINDER	1
3	11130HD6302PCH HOLDER COMP,CAMSHAFT	1
4	04213-11169 KNOCK PIN,CAMSHAFT HOLDER	2
5	09289-05008 OIL SEAL VALVE STEM	4
6	09159-08031 NUT, CYLINDER HEAD(M8)	4
7	11173HD6302 GASKET,CYLINDER HEAD COVER	1
8	11171HG580003S COVER,CYLINDER HEAD	1
9	09106H07009 BOLT,CYLINDER HEAD COVE(M7*18)	2
10	11124H93B11 WASHER, CYLINDER HEAD COVER BOLT	2
11	11123H93B01 PACKING, CYLINDER HEAD COVE BOLT	2
12	11141H93B01 GASKET, CYLINDER HEAD	1
13	04213-11169 KNOCK PIN,CYLINDER HEAD	2
14	01547-06148 BOLT INTAKE PIPE(M6*20)	2
14-1	BOLT INTAKE PIPE(M6*20)	1
14-2	BOLT INTAKE PIPE(M6*20)	1
15	13110HG5802 PIPE COMP,INTAKE	1
16	09280H32006 O-RING INTAKE PIPE	1
17	09482-01248 SPARK PLUG,C8EH-9	1
17-1	SPARK PLUG,C8EH-9	1
18	01421-06168 STUD BOLT, INTAKE PIPE(M6*16)	2
19	09168-08021 GASKET, cylinder head nut	4

FIG 1

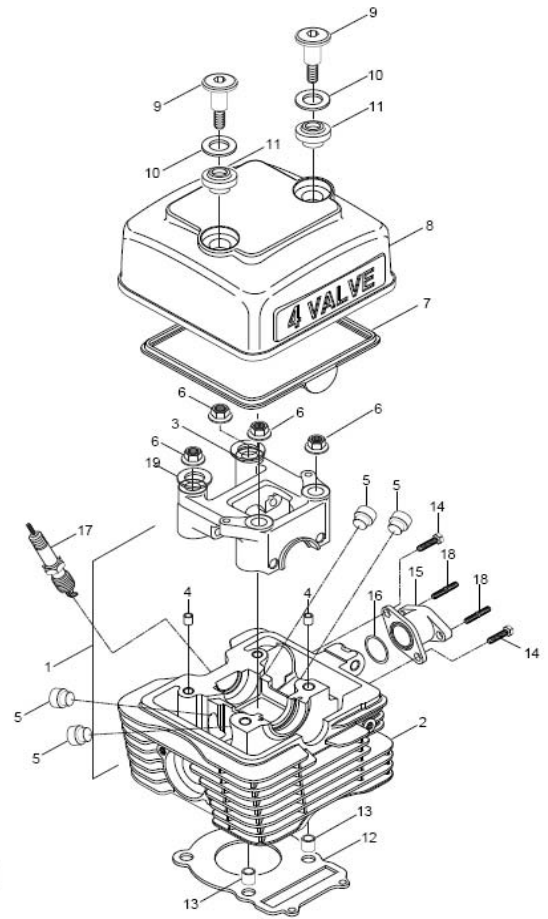


FIG 2. CYLINDER

_J

REF.	PARTS NAME	Q'TY
NO. LAT01		(PCS)
1	11210HG5800PCY CYLINDER COMP	1
2	09108H08175 STUD BOLT (L=224)	4
3	01421-06258 STUD BOLT(M6*25)	4
4	08316-16068 NUT(M16)	4
5	11241-05201 GASKET, CYLINDER(NA)	1
6	04213-11149 KNOCK PIN,CYLINDER	2

FIG 2

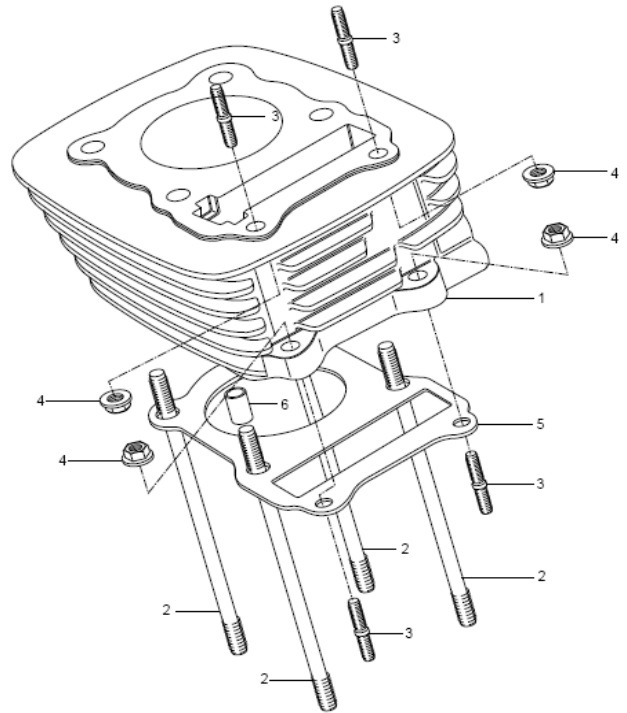


FIG 3. CRANK CASE

REF.	PARTS NAME	Q'TY
NO. LAT01		(PCS)
1	11300HG5800HPA CRANK CASE ASSY	1
2	04213-13189 PIN,CRANK CASE	2
3	01547-06558 BOLT CRANK CASE(M6*55)	4
4	01547-06608 BOLT CRANK CASE(M6*60)	4
5	01547-06758 BOLT CRANK CASE(M6*75)	4
6	11319-05200 PLATE OIL GALLERY PLUG	1
7	01107-06106 BOLT, OIL GALLERY PLATE(M6*10)	1
8	11310HG5803PCC CRANK CASE R	1
9	11320HG5800PCC CRANK CASE L	1
10	09364-12001 UNION BREATH HOSE	1
11	13824-05331 CLAMP, BREATHER DRAIN CAP	1
12	13870H29B00 CAP COMP, BREATHER DRAIN	1

F I G 3

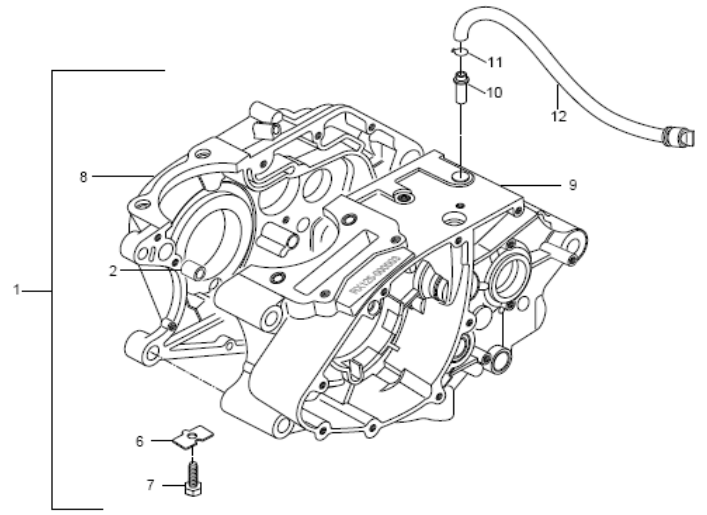
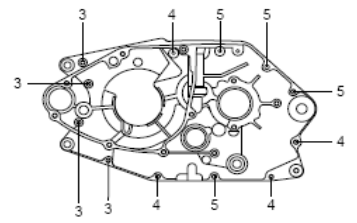


FIG 4. CRANK CASE COVER

REF.	PARTS NAME	Q'TY
NO. LAT01		(PCS)
1	11340HG580103S COVER COMP.CLUTCH	1
2	11482H05211 GASKET CLUTCH COVER(NA)	1
3	04213-13189 PIN,CLUTCH COVER	2
4	09168H06009 GASKET CLUTCH COVER BOLT	2
5	01547-06303 BOLT CLUTCH COVER(M6*30)	7
6	01547-06453 BOLT CLUTCH COVER(M6*45)	1
7	01547-06403 BOLT CLUTCH COVER(M6*40)	2
8	11971HE6100 PLUG, ENGINE OIL FILLER	0
	~KM4PF41751253284	
8~1	11971HE6101 PLUG, ENGINE OIL FILLER	1
	KM4PF41751253285~	
9	09280-17003 O/RING ENGINE OIL FILTER PLUG	1
10	09247-14026 PLUG, OIL CHECK	1
11	09168H14003 GASKET,OIL CHECK PLUG	1
12	11351HG580203S COVER,MAGNETO	1
13	11483H05301 GASKET MAGNETO COVER(NA)	1
14	04213-09129 PIN,MAGNETO COVER	1
15	01547-06303 BOLT, MAGNETO COVER(M6*30)	2
16	01547-06353 BOLT, MAGNETO COVER(M6*35)	3
17	01547-06453 BOLT, MAGNETO COVER(M6*45)	2
18	09247H12102 PLUG T.D.C.	1
19	09168H12003 GASKET,T.D.C. PLUG	1
20	09259-2601503S PLUG, CRANK SHAFT HOLE	1
21	09280-22008 O/RING CRANK SHAFT HOLE PLUG	1
22	11361HG580003S COVER, ENGINE SPROCKET	1
23	01547-06253 BOLT ENGINE SPROCKET COVER(M6*25)	2
24	01547-06603 BOLT ENGINE SPROCKET COVER(M6*60)	1

FIG 4

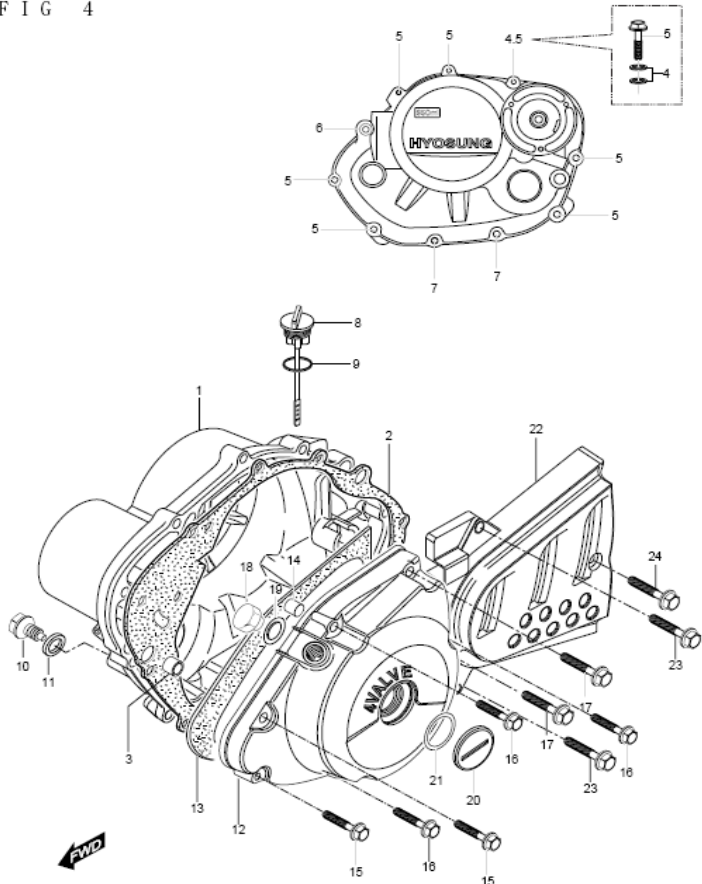


FIG 5. CRANK SHAFT

REF.	PARTS NAME	Q'TY
NO. LAT01		(PCS)
1	12200HD6301HPA CRANK SHAFT ASSY	1
2	12161HD6301 ROD CONECTINT	1
3	09263H30003 BEARING,CRANK PIN	1
4	12221HF4600CSA CRANK SHAFT R	1
5	12261H35C02CSA CRANK SHAFT L	1
6	12211HF4600 PIN,CRANK	1
7	09262H28003 BEARING,CRANK SHAFT R(28*68*18)	1
8	09262H350A60AO BEARING,CRANK SHAFT L(6207)	1
9	09282-12001 OIL SEAL CRANK SHAFT R	1
10	16321-04B01 GEAR OIL PUMP DRIVE	1
11	21111HD6300 GEAR PRIMARY DRIVE	1
12	09140-16019 NUT PRIMARY DRIVEN GEAR(M16)	1
13	09166-16012 WASHER PRIMARY DRIVE GEAR	1
14	09421-04004 KEY	1
15	12111HD6301PPS PISTON	1
16	12151-30B00 PIN PISTON	1
17	09381-15001 CIRCLIP PISTON PIN	2
19	12141-16E00 RING PISTON 1ST	1
20	12142-16E00 RING PISTON 2ND	1
21	12144-16E00 RING PISTON OIL	1

FIG 5

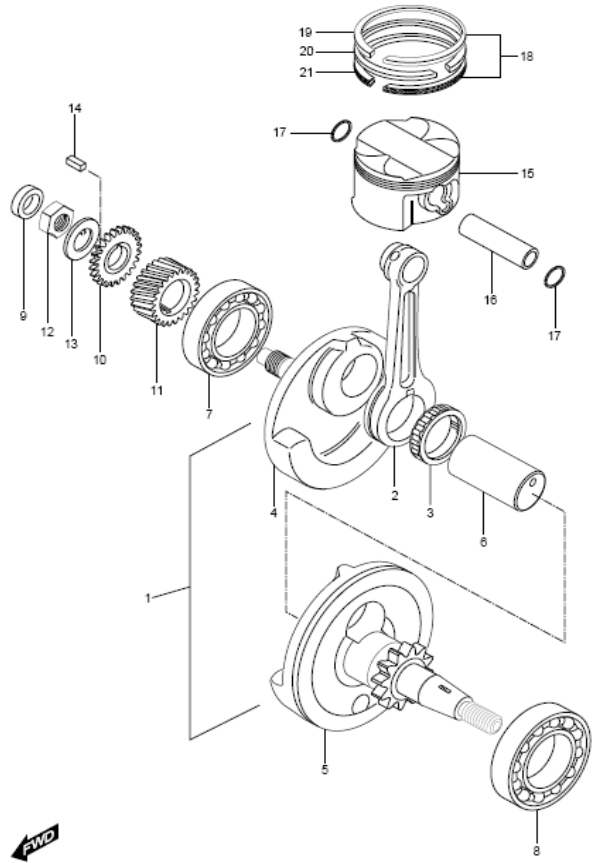


FIG 6. OIL COOLER

_1

REF.	PARTS NAME	Q'TY
NO. LAT01		(PCS)
1	16600HG5801 COOLER ASS'Y, OIL	1
2	09180-06030 SPACER, OIL COOLER	3
3	09320-10015 CHSHION, OIL COOLER	3
4	09116-06143 BOLT, OIL COOLER	3
5	16460HG5800 HOSE COMP, OIL COOLER NO.1	1
6	16470HG5800 HOSE COMP, OIL COOLER NO.2	1
7	09161-10009 GASKET, OIL COOLER HOSE NO.1	4
8	09168-14011 GASKET, OIL COOLER HOSE NO.2	4
9	09360H10036 BOLT, OIL COOLER HOSE UNION NO.1 ~ KM4PF41A741252967	2
9~1	09360H10034 BOLT, OIL COOLER HOSE UNION NO.1 KM4PF41A741252968 ~	2
10	09360H12007 BOLT, OIL COOLER HOSE UNION NO.2	2
11	16640HG5801 BRACKET COMP, OIL COOLER	1
12	47531HG5801 GRILLE, OIL COOLER	1
13	09440H09001 SPRING, OIL COOLE GRILLE	4
14	01517-06125 BOLT, OIL COOLER BRACKET(M6*12)	4
15	47430HG5802 BRACKET COMP, TOOL BOX	1
16	47541HG5801 GRILLE, TOOL BOX	1
17	41327HE6100 PLATE, CDI	1
18	02142-06128 SCREW, CDI PLATE(M6*12)	1
19	09407-14403 CLAMP, CLUTCH CABLE ASS'Y	1
20	09462-000E6 BAND, TOOL BOX	1
21	11283HF4600 BOLT, oil pipe(M10X22)	1

FIG 6

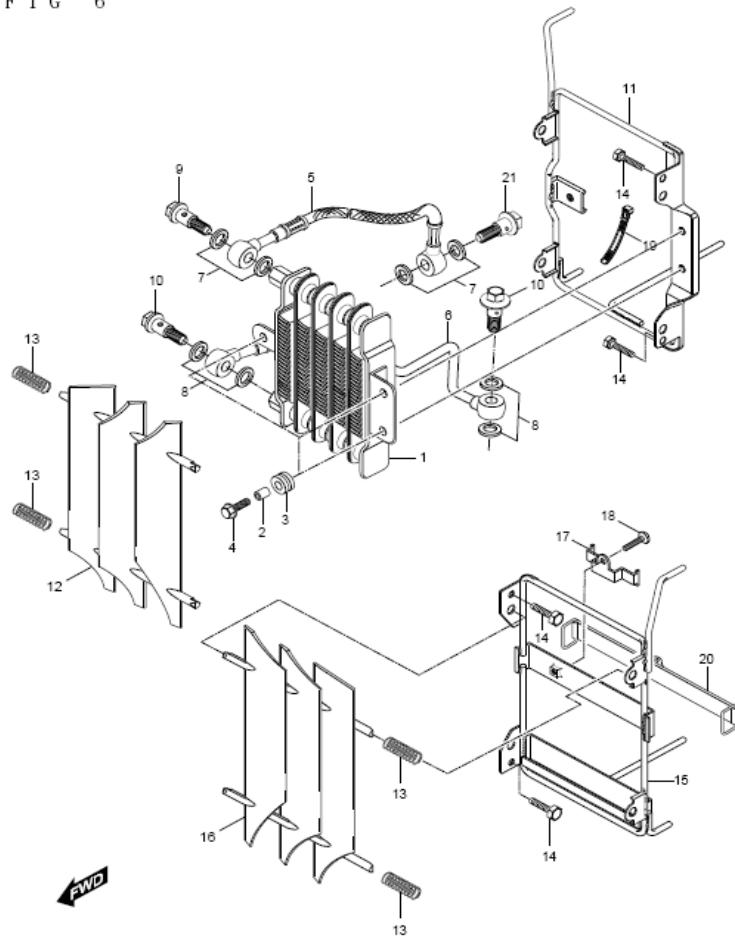


FIG 7. STARTER CLUTCH

REF.	PARTS NAME	Q'TY
NO. LAT01		(PCS)
1	GEAR, STARTER IDLE	1
2	PIN, STARTER IDLE GEAR	1
3	SPACER, STARTER IDLE GEAR	1
4	GEAR COMP, STARTER CLUTCH	1
5	ROLLER, STARTER CLUTCH	3
6	SPRING, STARTER CLUTCH	3
7	PLECE, STARTER CLUTCH	3
8	BEARING,STARTER CLUCH GEAR(22*28*	1
9	BOLT, STARTER CLUTCH(M6*16)	3
10	SHIM, STARTER CLUTCH HUB	1
11	HUB COMP, STARTER CLUTCH	1

FIG 7

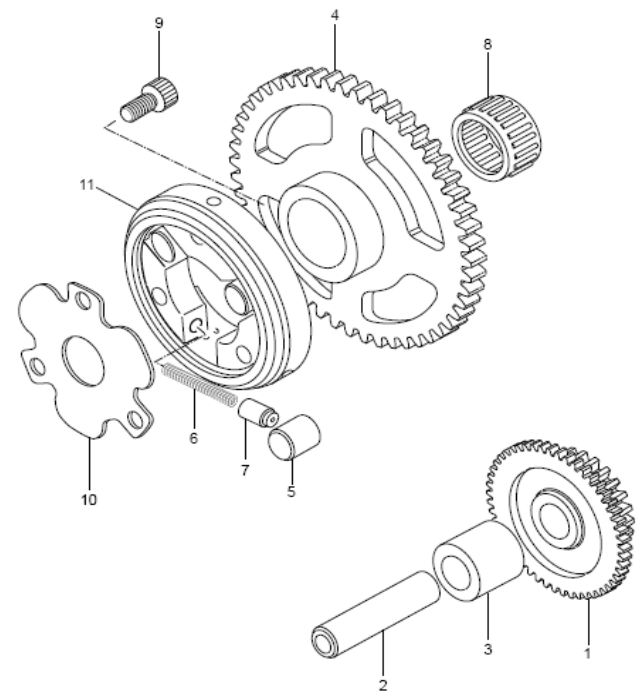


FIG 8. CAM SHAFT

_1

REF.	PARTS NAME	Q'TY
NO. LAT01		(PCS)
1	12711HD6302888 CAM SHAFT	1
2	12741HD6301 SPROCKET,CAMSHAFT	1
3	09421H04004 KEY CAMSHAFT	1
4	09160H08016 WASH SPROCKET CENTER	1
5	09103H08007 BOLT CAMSHAFT CENTER(M8*23)	1
6	09262H17002 BEARING, CAMSHAFT NO.1(17*35*10)	1
7	09269H17003 BEARING, CAMSHAFT NO.2(17*40*12)	1
8	12840HD6300 ARM COMP,INTAKE VALVE ROCKER	1
9	12850HD6300 ARM COMP,EXHAUST VALVE ROCKER	1
10	12842-49201 SCRW TAPPET ADJUSTER	
11	12843-27A00 NUT TAPPET ADJUSTER	
12	12861HD6300 SHAFT VALVE ROCKET ARM NO.1	1
13	12871HD6300 SHAFT VALVE ROCKET ARM NO.2	1
14	09448H17008 SPRNG,VALVE ROCKER ARM NO.1	1
15	09448H17009 SPRNG,VALVE ROCKER ARM NO.2	1
16	09390H38001 CIRCLIP CAMSHAFT BEARING NO.2	1
17	12911HD6300 VALVE INTAKE	2
18	12912HD6300 VALVE EXHAUST	2
19	12921HD6300 SPRNG SET, VALVE	4
20	12931HD6300 RETAINER VALVE SPRING	4
21	12932HD6300 COTTER VALVE	8
22	12933HD6300 SEAT,VALVE SPRING	4
23	12841HD6300 ARM INTAKE VALVE ROCKER	1
24	12851HD6300 ARM EXHAUST VALVE ROCKER	1
25	09202H04002 PIN, ROCKER ARM SHAFT	2

FIG 8

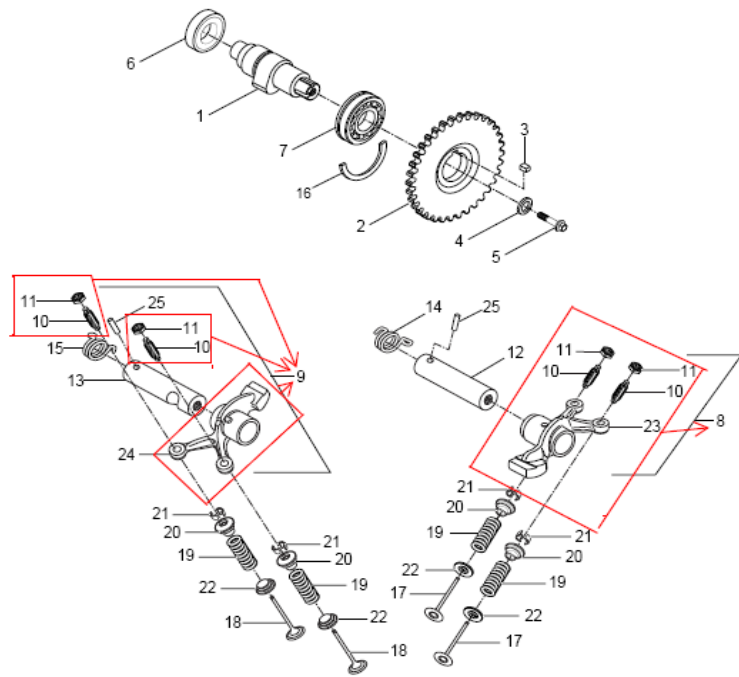


FIG 9. CAM CHAIN

_1

REF.	PARTS NAME	Q'TY
NO. LAT01		(PCS)
1	12760HD6300 SILENT LINK CAMSHAFT DRIVE (98LINK)	1
2	12771HD6300 GUID CAM LINK	1
3	12811HD6300 TENSIONER, CAM LINK	1
4	12812-32410 BOLT CAM LINK TENSIONER (M8*40)	1
5	09168-08008 WASHER, CAM LINK TENSIONER BOLT	1
6	12830H93B00 ADJUSTER ASS'Y, TENSIONER	1
7	12837H19B11 GASKET, TENSIONER ADJUSTER(NA)	1
8	01104-06208 BOLT, TENSIONER ADJUSTER (M6*20)	2

F I G 9

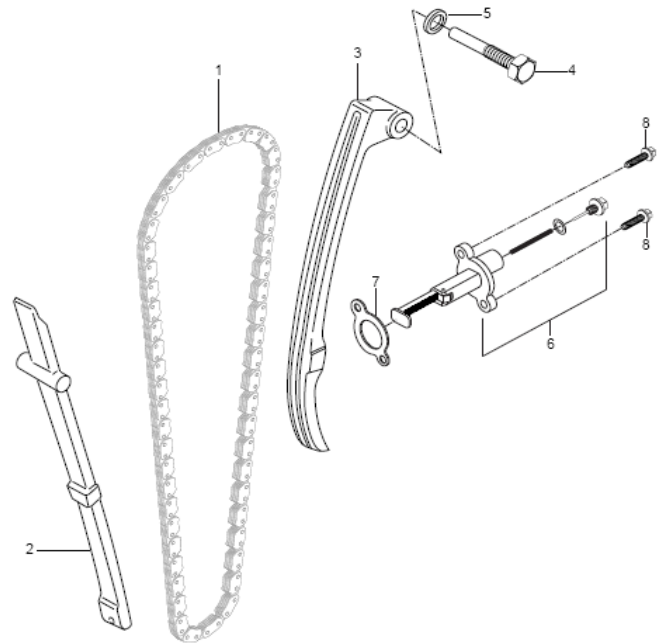


FIG 10. CARBURETOR ASS'Y

REF. PARTS NAME Q'TY
 NO. LAT01 (PCS)

0	13200HG5801	CARBURETOR ASS'Y	1
1	13551HG5800	.VALVE,THROTTLE	1
2	13383HG5800	.NEEDLE,JET	1
3	13533H93B00	.E-RING,THROTTLE VALVE	1
4	13581H93B00	.CLIP	1
5	13573H93B00	.SPRING,THROTTLE VALVE	1
6	13249H93B00	.GASKET,TOP COVER	1
7	13261H93B00	.COVER,TOP	1
8	13577H93B00	.ADJUSTER,THROTTLE CABLE	1
9	13681H93B00	.CAP,CARBURETOR TOP	1
10	09494HG5800	.JET,NEEDLE	1
11	09491HG5800	.JET,MAIN	1
12	09492HG5800	.JET,pilot	1
13	13279H93B00	.SCREW,PILOT	1
14	13268H93B00	.SPRING,PILOT SCREW	1
15	13291H93B00	.WASHER	1
16	13295H93B00	.O-RING	1
17	13455H93B00	.CAP,SEALING	1
18	13460H93B00	.DIAPHRAGM COMP.PUMP	1
19	13452H93B00	.SPRING,PUMP DIAPHRAGM	1
20	13450H93B00	.COVER COMP.PUMP	1
21	02112-44126	.SCREW(M44*12)	3
22	13247H93B00	.SCREW,DRAIN	1
23	13278H93B00	.O-RING,DRAIN SCREW	1
24	02112-44166	.SCREW(M44*16)	3
25	13297H93B00	.O-RING	1
26	13258H93B00	.GASKET,FOLAT CHAMBER	1
27	13250HG5800	.FLOAT COMP	1

FIG 10

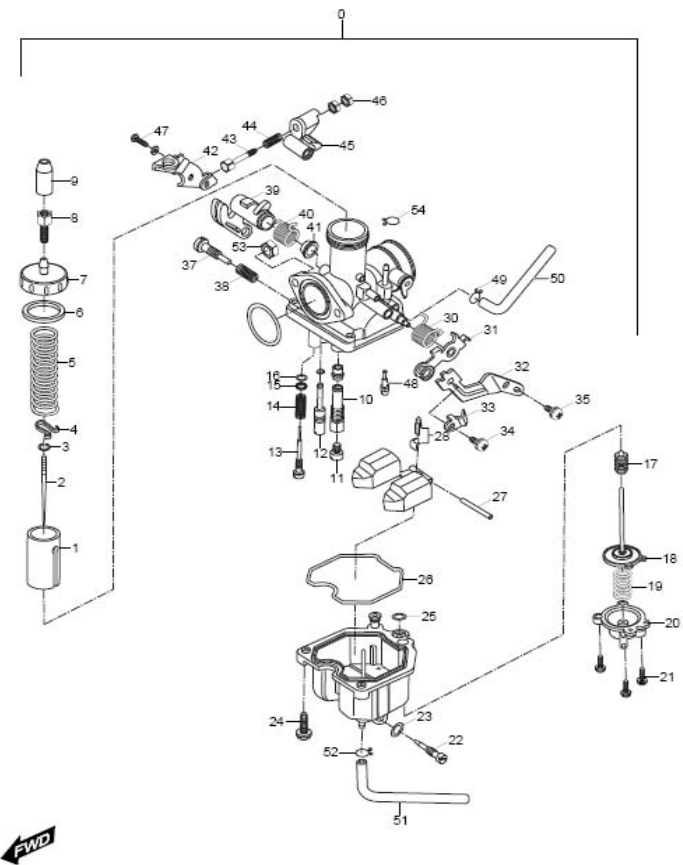


FIG 10. CARBURETOR ASS'Y

REF.	PARTS NAME	Q'TY	
NO. LAT01		(PCS)	
31	13411H93B00	.LEVER,CHOKE	1
32	13413H93B00	.STAY,CHOKE WIRE	1
33	13415H93B00	.PLATE,STAY	1
34	02112-45126	.SCREW,STAY PLATE(M5*12)	1
35	02112-44086	.SCREW,CHOKE WIRE STAY(M4*8)	1
36	13277H93B00	.O-RING	1
37	13267H93B00	.ADJUSTER,THROTTLE VALVE STOP	1
38	13268H93B00	.SPRING,THROTTLE STOP	1
39	13441H93B00	.PUMP ARM-B	1
40	13443H93B00	.SPRING,PUMP ARM-B	1
41	13442H93B00	.GUIDE,PUMP ARM-B SPRING	1
42	13449H93B00	.STAY,PLATE PUMP ARM	1
43	13447H93B00	.ADJUSTER,PUMP	1
44	13446H93B00	.SPRING,PUMP ARM-A	1
45	13445H93B00	.PUMP ARM-A	1
46	08310-31046	.NUT,PUMP ADJUSTER	1
47	02112-45146	.SCREW,PUMP ARM STAY PLATE(M5*14)	1
48	13448H93B00	.NOZZLE,PUMP	1
49	09401-08401	CLIP FUEL HOSE	1
50	13684H93B00	.HOSE	1
51	13683H93B00	.HOSE	1
52	09401-08401	CLIP	1
53	08316-16068	NUT, CARBURETER (M6)	2
54	09407-14403	CLMP CARBURTER AIR VENT	1

FIG 10

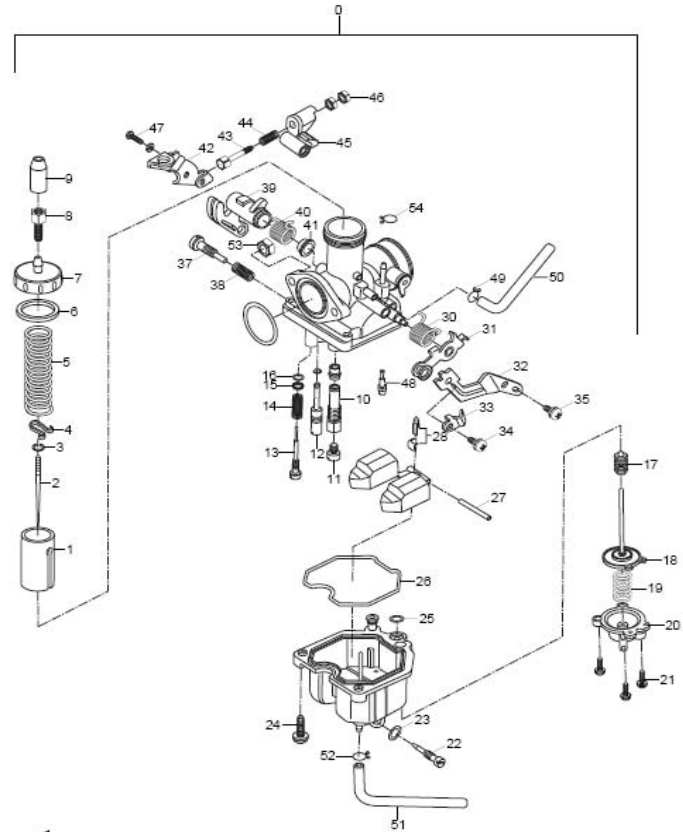


FIG 11. AIR CLEANER

REF.	PARTS NAME	Q'TY	
NO. LAT01		(PCS)	
0	13700HG5801	CLEANER ASS'Y, AIR	1
1	13720HG5800	CASE COMP,AIR CLEANER	1
2	13740HG5800	CAP COMP,AIR CLEANER	1
3	08316-16068	NUT, FILTER TRAP(M6)	2
4	13780HG5800	FILTER COMP, AIR CLEANER	1
5	13881HG5801	TUBE,OUTLET	1
6	13891HG5800	TUBE,INET	1
7	13870-11124	TUBE COMP,DRAIN	1
8	13824-05331	CLIP, DRAIN TUBE	1
9	13821H11210	SLIDER,AIR CLEANER	5
10	02142-15125	BOLT, AIR CLEANER(M5*12)	4
11	13722HG5800	GASKET,AIR CLEANER	1
12	13750HG5800	FRAME COMP,FILTER TRAP	1
13	13723HG5800	HEAT SHLD,AIR CLEANER	1
14	09402-44207	CLAMP,OUTLET TUBE CARBURETOR	1

FIG 11

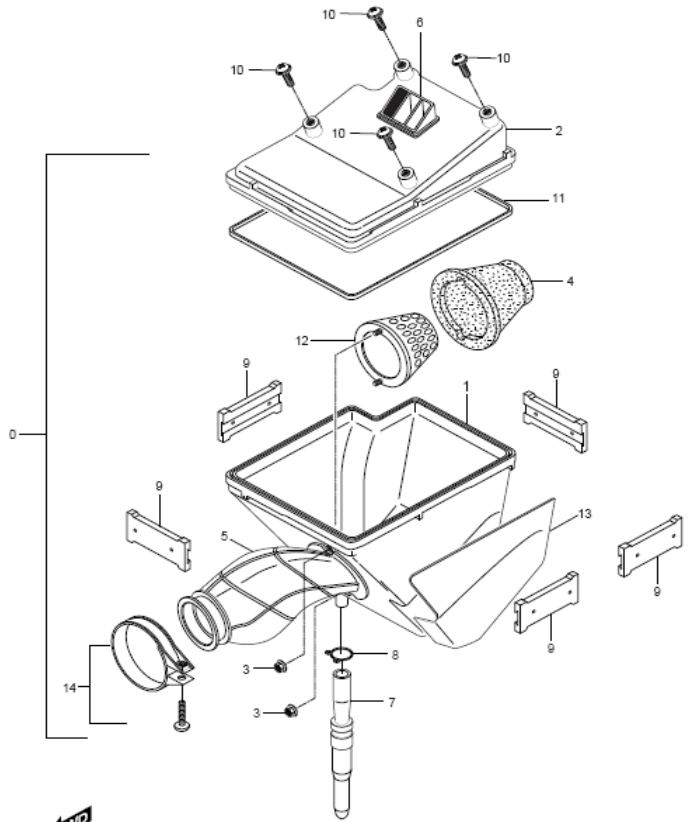


FIG 12. MUFFLER

REF. PARTS NAME Q'TY
NO. LAT01 (PCS)

0	14305HG5800	MUFFLER ASS'Y	1
1	14310HG5805PAM	BODY COMP, MUFFLER	1
2	14181-17C00	GASKET, EXHAUST PIPE	1
3	01421-08258	STUD BOLT,EXHAUST PIPE(M8*25)	2
4	08316-26086	NUT, EXHAUST PIPE(M8)	2
5	09118H08041	BPLT, MUFFLER SUPPORT(M8*35)	1
6	09160-08004	WASHER MUFFLER SUPPORT	1
7	09180H08102	SPACER, MUFFLER SUPPORT	1
8	09320-12026	CUSHION, MUFFLER SUPPORT	1
9	14150HG5803PAM	PIPE COMP, EXHAUST	1
10	14770HG5802PAM	CONNECT COMP, EXHAUST PIPE	1
11	14773HG5800	GASKET,CONNECTOR EXHAUST PIPE	1
12	01517-08468	BOLT CONNECTOR EXHAUST PIPE(M8*16)	1
13	14781HG5803	COVER MUFFLER	1
14	01187-08168	BOLT,EXHAUST PIPE SUPPORT BRACKET	1
15	01187-08168	BOLT,EXHAUST SUPPORT FRONT BRACK	1
16	14186HG580103S	COVER,EXHAUST	1
17	02112-96105	SCREW,EXHAUST COVER(M5*8)	2
18	14790HG5801	CLAMP ASSY,MUFFLER COVER	2
19	08322-21088	WASHER, EXHAUST PIPE CONNECTOR	1
20	14760HG5801PLA	PROTECTOR ASS,Y, muffler body	1

FIG 12

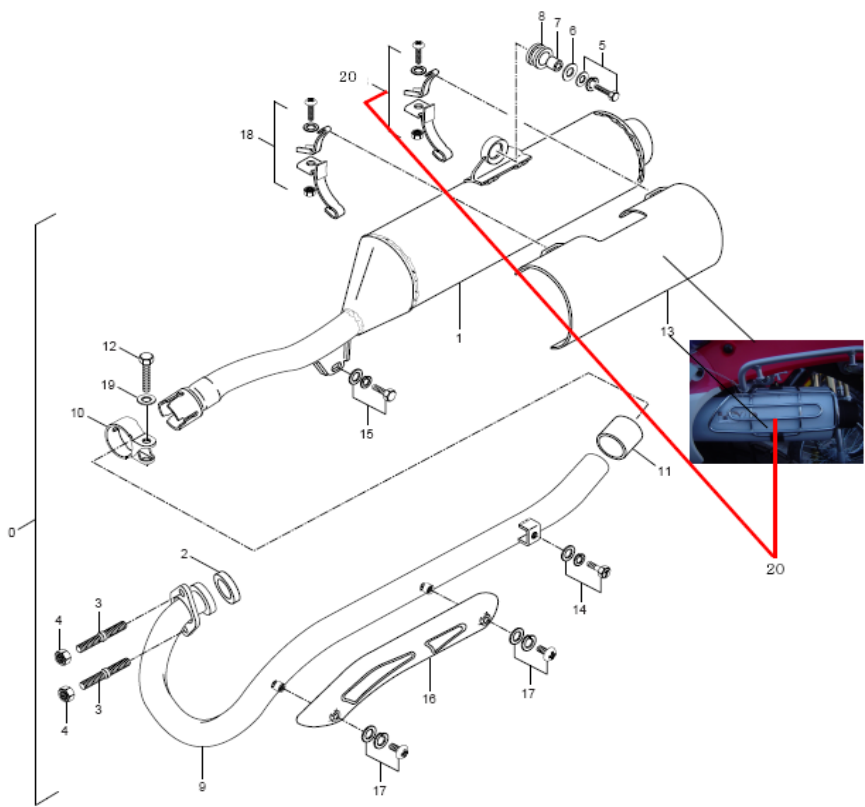


FIG 13. OIL PUMP

_1

REF.	PARTS NAME	Q'TY
NO. LAT01		(PCS)
1	16400HF4600 PUMP ASS'Y, oil	1
2	16331H93B00 GEAR, OIL PUMP DRIVEN	1
3	09261-02008 PIN OIL PUMP DRIVEN GEAR	1
4	08332-11069 CIRCLIP, OIL PUMP DRIVEN GEAR	1
5	02112-06258 SCREW , ENGINE OIL PUMP(M6*25)	3
6	16520-05202 STRAINER COMP, ENGINE OIL	1
7	02112-95126 SCREW ENGINE OIL STRAINER(M5*12)	2
8	16523-05200 CAP OIL STRAINER	1
9	09280-60005 O-RING, OIL STRAINER CAP	1
10	01547-06208 SCREW, OIL STRAINER CAP(M6*20)	3
11	09247-14019 PLUG OIL DRAIN	1
12	09168H14003 GASKET, DRAIN PLUG	1
13	16510-05240HAS FILTER COMP, ENGINE OIL	1
14	09280-13004 O-RING, OIL FILTER	1
15	16512HG580103S CAP,OIL FILTER	1
16	09280-54001 O-RING, OIL FILTER CAP	1
17	09440-18002 SPRNG, OIL FILTER CAP	1
18	01421-06128 STUD BOLT, OIL FILTER CAP(M6*12)	2
19	08313-11068 NUT, OIL FILTER CAP(M11)	3
20	01421-06958 STUD BOLT, OIL FILTER CAP(M6*95)	1
21	16419HG5100 BUSH, oil pump	1
22	09206-08001 PIN, oil pump knock	2

FIG 13

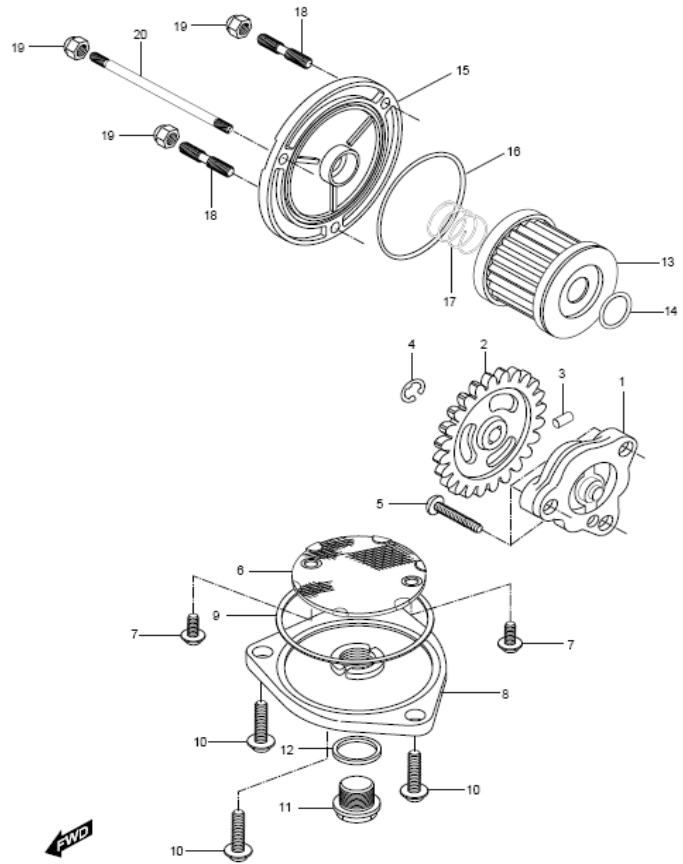


FIG 14. CLUTCH ASS'Y

REF.	PARTS NAME	Q'TY
NO. LAT01		(PCS)
1	21200HD6300HPA GEAR ASS'Y PRIMARY DRIVEN	1
2	21251-13E00 SPACER PRIMARY DRIVEN GEAR	1
3	02142-06108 STOPPER, CLUTCH RELEASE CAMSHAFT	1
4	21411-05200 HUB, CLUTCH SLEEVE	1
5	09140-16014 NUT CLUTCH SLEEVE HUB(M16)	1
6	09169-16003 WASHER CLUTCH SLEEVE HUB	1
7	08211-20352 THRUST WASHER, CLUTCH SLEEVE HUB	1
8	21441-13A01 PLATE CLUTCH DRIVE	5
9	21451-28000 PLATE CLUTCH DRIVEN	4
10	21462-14102 DISK, CLUTCH PRESSURE	1
11	09440-15014 SPRING CLUTCH	5
12	09116-05003 BOLT CLUTCH SPRING(M5*16)	5
13	23110-05202 ROD COMP, CLUTCH PUSH	1
14	23121-05200 PIECE CLUTCH PUSH	1
15	23122-05200 CAM SH CLUTCH RELEASE	1
16	08211-10201 THRUST WASHER, CLUTCH RELEASE CA	1
17	09160-15015 THRUST WASHER, CLUTCH RELEASE	1
18	09263H15001 THRUST WASHER, CLUTCH RELEASE	1
19	09282-10007 OIL SEAL CLUTCH RELEASE CAMSHAFT(1
20	09134-06010 SCREW, CLUTCH RELEASE ADJUSTER	1
21	08310-22068 NUT CLUTCH RELEASE ADJUSTER(M6)	1
22	23271-46000 ARM CLUTCH RELEASE	1
23	01107-06168 BOLT, CLUTCH RELEASE ARM(M6*16))	1

FIG 14

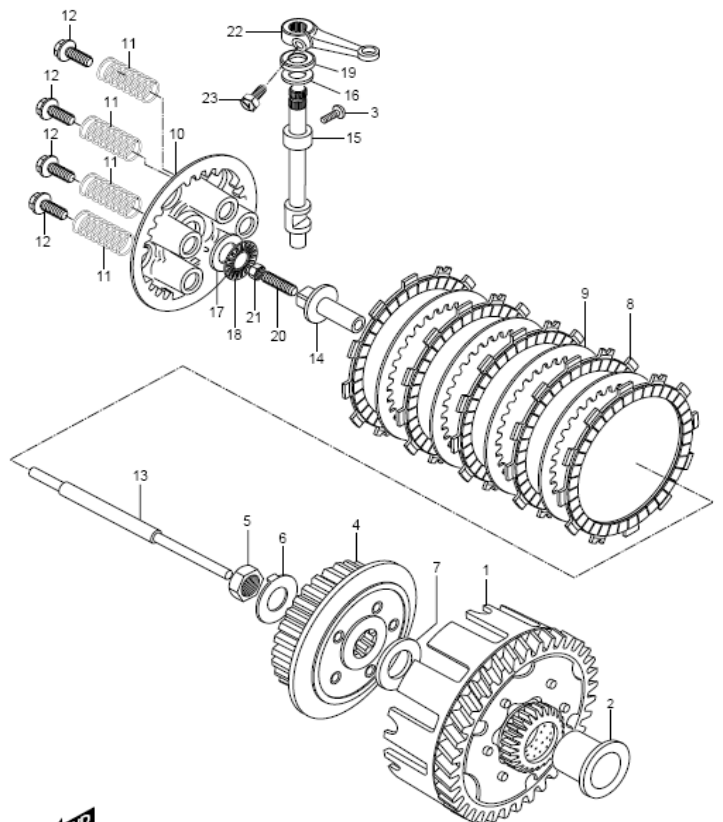


FIG 15. TRANSMISSION

REF. PARTS NAME Q'TY
NO. LAT01 (PCS)

1	24130HG5801	SHAFT COMP,DRIVE	1
2	24121-05211	SHAFT COMP,COUNTER	1
3	24125-38201	BUSH, COUNTER SHAFT	1
4	24221-29B00	GR 2ND DRIVE	1
5	24231-29B10	GR 3RD/4TH DRIVE	1
6	24251-05202	GEAR 5TH DRIVE	1
7	09380-20009	CIRCLIP, 5TH DRIVE GEAR	1
8	09262-20062	BEARING, COUNTER SHAFT R	1
9	08123-60020	BEARING, COUNTER SHAFT L(6002)	1
10	24741-05200	RETAINER COUNTER SHAFT BEARING	1
11	02122-06128	SCREW, COUNTER SHAFT BEARING RET/	2
12	09140-16017	NUT ENGINE SPROCKET(M16)	1
13	24311-29B00	GEAR, 1ST DRIVEN	1
14	08211-15251	THRUST WASHER, 1ST DRIVEN GEAR	2
15	09263H15002	BEARING 1ST DRIVEN GEAR(15*19*8)	1
16	24320-29B00	GEAR 2ND DRIVEN	1
17	09380-20009	CIRCLIP, 4TH DRIVEN GEAR	3
18	24331-05201	GEAR, 3RD DRIVEN	1
19	09167-20011	THRUST WASHER, 3&4RD DRIVEN GEAR	2
20	24341-29B10	GEAR, 4TH DRIVEN	1
21	24351-05201	GEAR, 5TH DRIVEN	1
22	24359-05200	WASHER, OIL SEALING	1
23	24421-05300	WHEEL, SLIDING DOG	1
24	09263H15003	BEARING, DRIVE SHAFT R(15*33*12)	1
25	08113-62040	BEARING, DRIVE SHAFT L(6204)	1
26	24741-05200	RETAINER, DRIVE SHAFT BEARING	1
27	02122-06128	SCREW, DRIVE SHAFT BEARING RETAINI	2
28	09283-27010	OIL SEAL, DRIVE SHAFT(27*40*6)	1

FIG 15

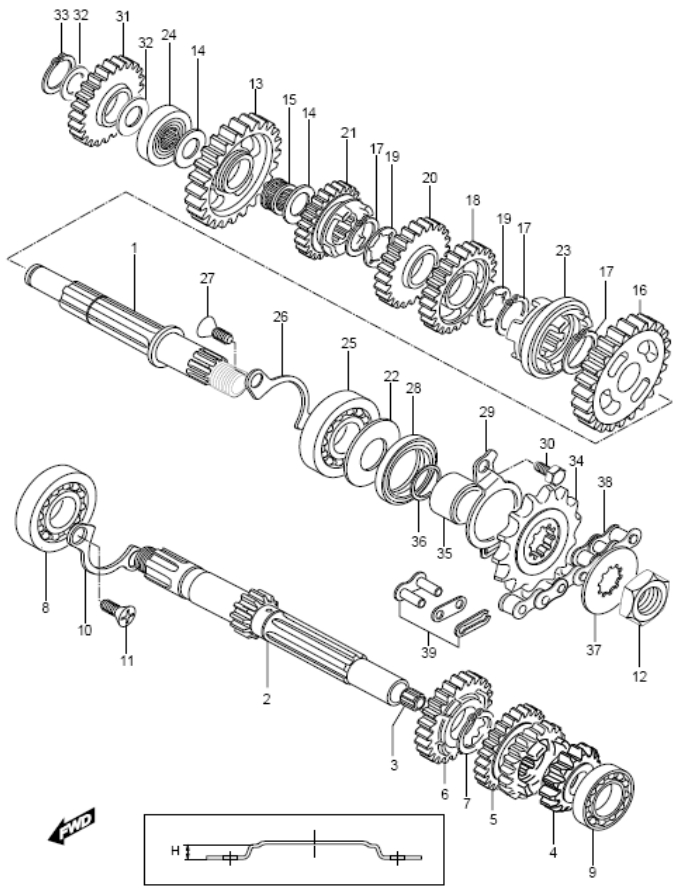


FIG 15. TRANSMISSION

REF. NO. LAT01	PARTS NAME	Q'TY (PCS)	
32	08211-15201	THRUST WASHER, KICK STARTER IDLE	2
33	08331-31159	CIRCLIP, KICK STARTER IDLE GEAR	1
34	27510H41732	SPROCKET COMP, ENGINE(14T)	1
35	27531-08300	SPACER, ENGINE SPROCKET	1
36	09280-19005	O-RING, ENGINE SPROCKET	1
37	09167-20006	LOCK WASHER, ENGINE SPROCKET	1
38	27600HG5801	CHAIN ASS'Y, DRIVE(132L)	1
39	27620H93B00	JOINT,CHAIN	1

FIG 15

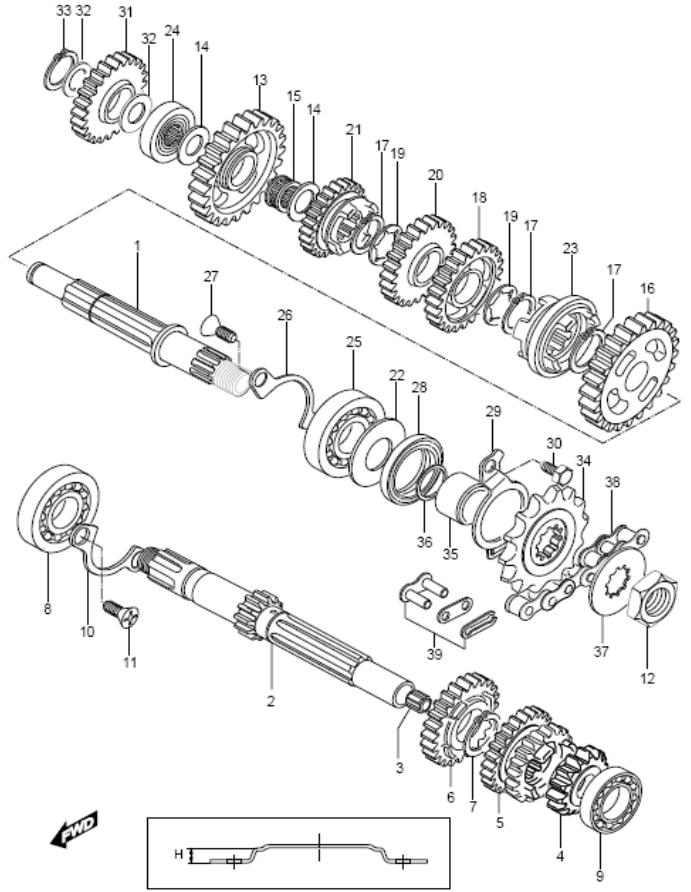


FIG 16. GEAR SHIFTING

REF. PARTS NAME Q'TY
NO. LAT01 (PCS)

1	25211-05200	FORK, GEAR SHIFT NO.1	2
2	25231-05201	FORK, GEAR SHIFT NO.3	1
3	25411-05201	SHAFT GEAR SHIFT NO.1	1
4	25421-35403	SHAFT GEAR SHIFT NO.2	1
5	25310-05200	CAM COMP GEAR SHIFT	1
6	08211-25401	WASHER, GEAR SHIFT CAM	1
7	25322-31301	GEAR, GEAR SHIFT CAM DRIVEN	1
8	25323-34201	PAWL, GEAR SHIFT NO.1	1
9	25324-34201	PAWL, GEAR SHIFT NO.2	1
10	09261-05003	PIN, GEAR SHIFT PAWI CLICK	2
11	09440-04003	SPRING, GEAR SHIFT PAWI RETURN	2
12	25331-30000	LIFTER, GEAR SHIFT PAWI	1
13	02122-06128	SCREW, GEAR SHIFT PAWI(M6*12)	2
14	25341-05200	GUIDE, GEAR SHIFT CAM	1
15	02122-06128	SCREW, GEAR SHIFT CAM GUIDE(M6*12)	2
16	25350-44A00	STOPPER COMP, GEAR SHIFT CAM	1
17	09111-06019	BOLT, GEAR SHIFT CAM STOPPER(M6*15)	1
18	08211-06141	WASHER, GEAR SHIFT CAM STOPPER	1
19	09440-11016	SPRING, GEAR SHIFT CAM STOPPER	1
20	09443-08044	SPRING, GEAR SHIFT CAM STOPPER ARM	1
21	09223-04001	HOOK, GEAR SHIFT SHAFT SPRING	1
22	25351-30010	STOPPER, GEAR SHIFT CAM NEUTRAL	1
23	25381-45400	PLATE, GEAR SHIFT CAM STOPPER	1
24	04221-04069	PIN, GEAR SHIFT CAM STOPPER PLATE	1
25	09247-14026	PLUG, GEAR SHIFT CAM STOPPER	1
26	09168H14003	WASHER, GEAR SHIFT CAM STOPPER PLI	1
27	25510-05400	SHAFT COMP, GEAR SHIFT	1
28	09180-12068	SPACER, GEAR SHIFT SHAFT	1

FIG 16

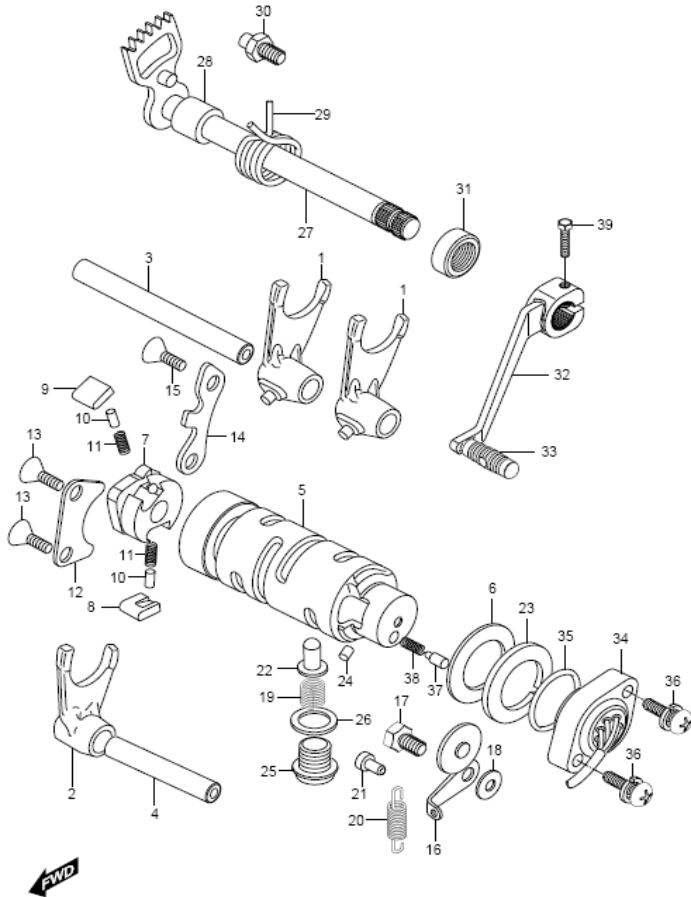


FIG 16. GEAR SHIFTING

REF. NO.	PARTS NAME	Q'TY (PCS)
32	25600HG5802 LEVER ASS'Y, GEAR SHIFT CAM	1
33	25652HG5800 RUBBER, GEAR SHIFT PEDAL	1
34	37720HG5800 SWITCH ASS'Y NEUTRAL	1
35	09280-26003 O-RING, GEAR SHIFT SWITCH	1
36	02112-95208 SCREW, GEAR SHIFT SWITCH(M5*20)	2
37	09209-05011 CONTACT, GEAR SHIFT SWITCH	1
38	09440-04010 SPRING, GEAR SHIFT SWITCH CONTACT	1
39	01104-06208 BOLT, GEAR SHIFT LEVER(M6*60)	1

FIG 16

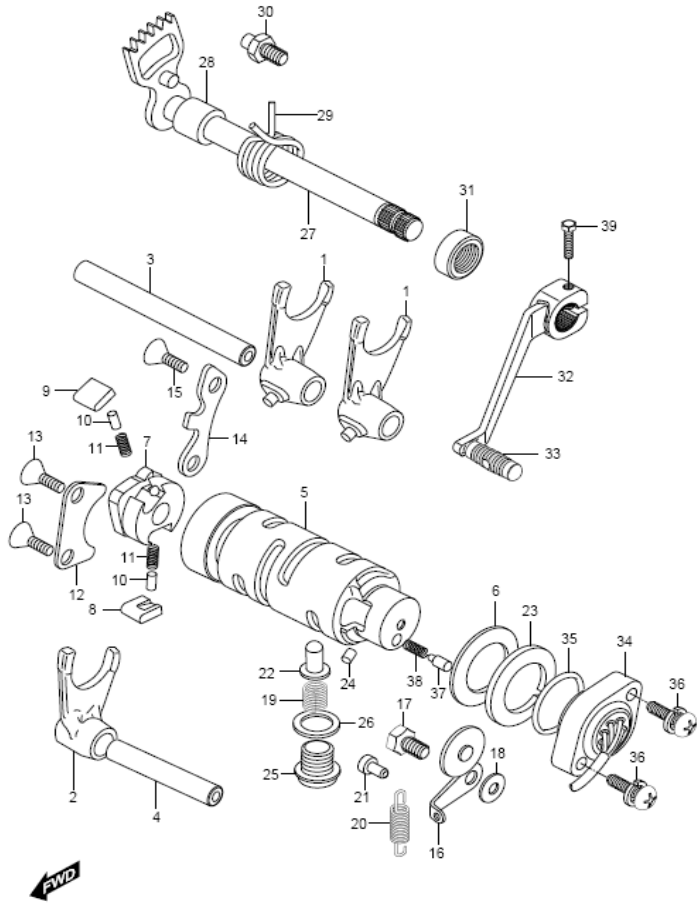


FIG 17. KICK STARTER

REF.	PARTS NAME	Q'TY	
NO. LAT01		(PCS)	
1	26211HG5800	SHAFT,KICK STARTER	1
2	26221-05200	GUIDE KICK STARTER SHAFT SPRING	1
3	09440-32006	SPRING, KICK STARTER	1
4	09448-45003	SPRING KICK STARTER SHAFT	1
5	08211-17341	PLATE, KICK STARTER SPRING	1
6	09285-16003	OIL SEAL, KICK STARTER SHAFT(16*24*5	1
7	26231-38200	STARTER, KICK	1
8	26232-38200	GUIDE KICK STARTER	1
9	26233-32400	STOPPER, KICK STARTER	1
10	01107-08208	BOLT, KICK STARTER STOPPER(M8*20)	1
11	26240-05201	GEAR COMP, KICK STARTER DRIVE	1
12	09160-16003	WASHER, KICK DRIVE GEAR R	1
13	08211-20261	WASHER, KICK DRIVE GEAR L	1
14	09380-17001	CIRCLIP, KICK STARTER SHAFT	1
15	26300HG5802	LEVER ASS'Y, KICK STARTER	1
16	26352HE6100	RUBBER KICK STARTER LEVER	1
17	01107-08258	BOLT(M8*25)	1

F I G

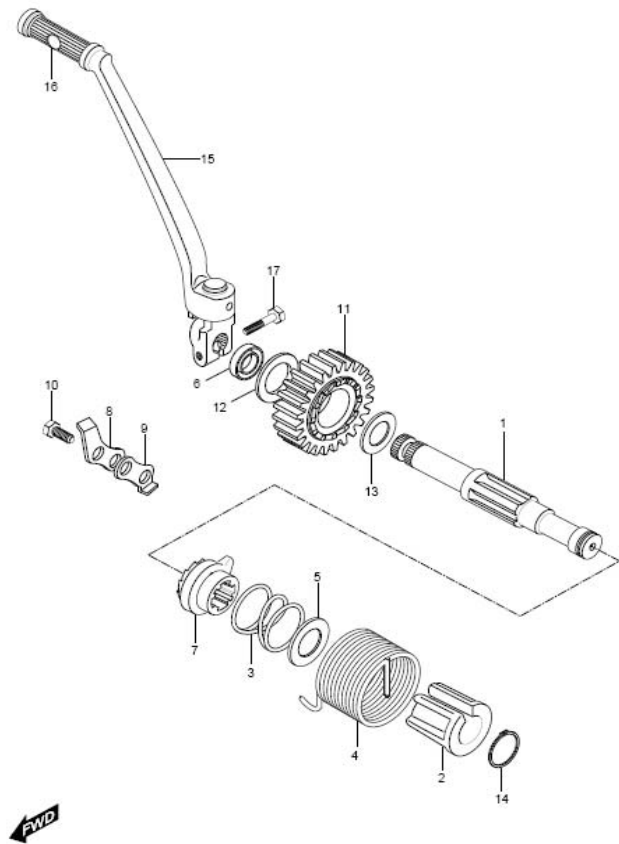


FIG 18. STARTING MOTOR

REF.	PARTS NAME	Q'TY	
NO. LAT01		(PCS)	
1	31100HD6300	MOTOR ASSY, STARTING	1
2	31311-10201	ARMATURE	1
3	31361-10200	SHIM(A)	1
4	31361-01400	SHIM(A)	1
5	31361-38300	SHIM(A)	1
6	31153-43400	OIL SEAL	1
7	31361-47010	SHIM(B)	1
8	31130-05300	BRUSH(+)	1
9	31131-10200	BRUSH(-)	1
10	31135-65010	SPRING, BRUSH	2
11	08310-22067	NUT(M22)	1
12	31172-05300	BUSHING(A)	1
13	31171-05300	BUSHING(B)	1
14	31143-38300	O-RING	1
15	31264-05300	O-RING	1
16	31281-05310	BOLT	2
17	08321-21057	LOCK WASHER	2
18	31161-05310	WASHER	2
19	31156-38300	O-RING	2
20	08316-26066	NUT(M35)	1
21	09160-06003	WASHER	1
22	09280-24001	O-RING	1
23	01547-06308	SCREW, STARTING MOTOR(M6*30)	2
24	31110HD6300	.YOKE ASSY, starter	1

FIG 18

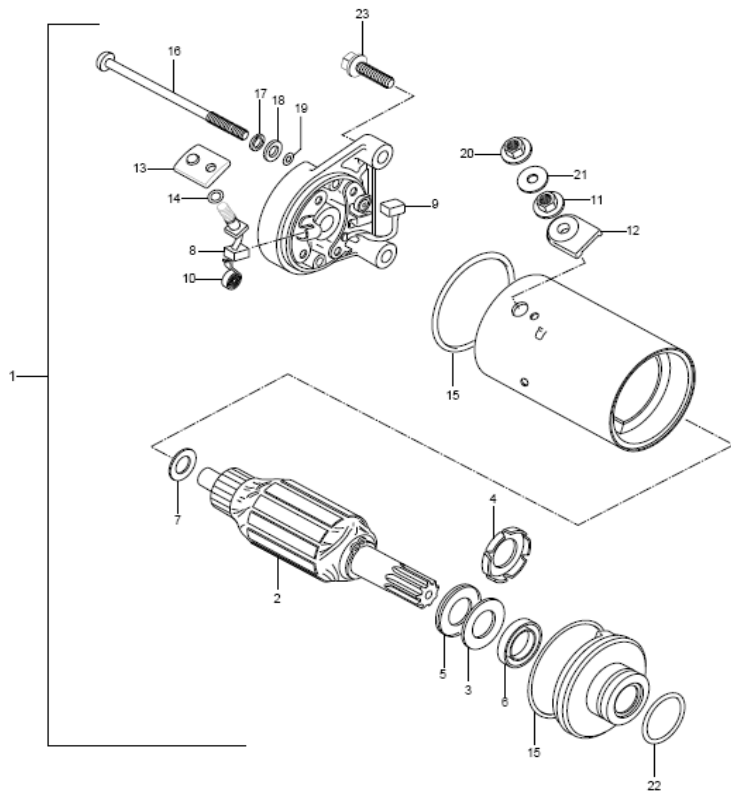


FIG 19. MAGNETO

REF.	PARTS NAME	Q'TY	
NO. LAT01		(PCS)	
0	32100HG5800	MAGNETO ASS'Y	1
1	32101HG5800	STATOR ASS'Y	1
2	32102HG5800	ROTOR ASS'Y	1
3	02112-05258	SCREW, MAGNOTO STARTER(M5*25)	3
4	02112-05128	SCREW, PICK-UP COIL(M5*12)	2
5	08316-26108	NUT,MAGNETO FLYWHEEL	1
6	08341-31039	KEY, MAGNETO	1

FIG 19

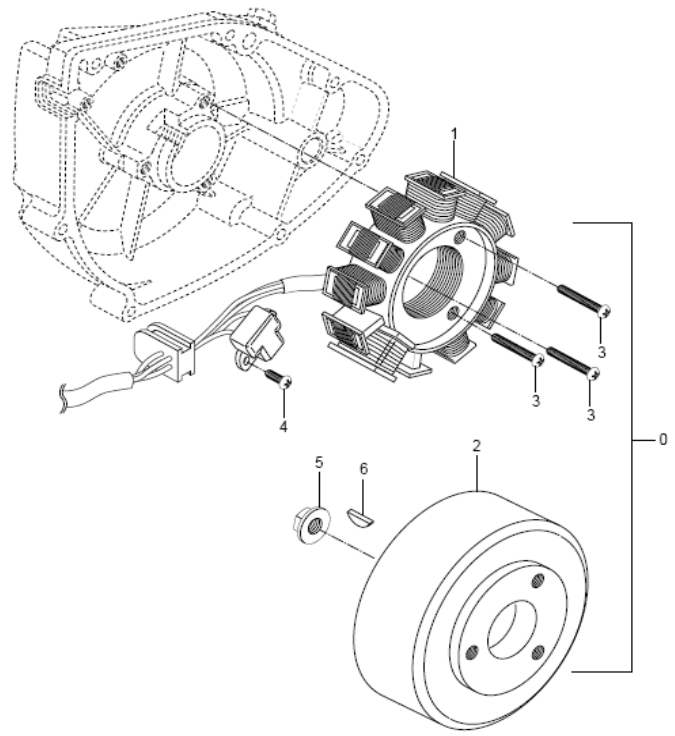


FIG 20. BATTERY

_J

REF.	PARTS NAME	Q'TY
NO. LAT01		(PCS)
1	33610-06C11 BATTERY(12V,6AH)	1
2	33860HG5800 LEAD WIRE,BATTERY(-)	1
3	41545HG5803 GUARD,BATTERY	1
4	09462H00009 BAND BATTERY	1
5	01517-06165 BOLT,BATTERY GUARD(M6*16)	2
6	09169-06034 WASHER, BATTERY GUARD	2

F I G 2 0

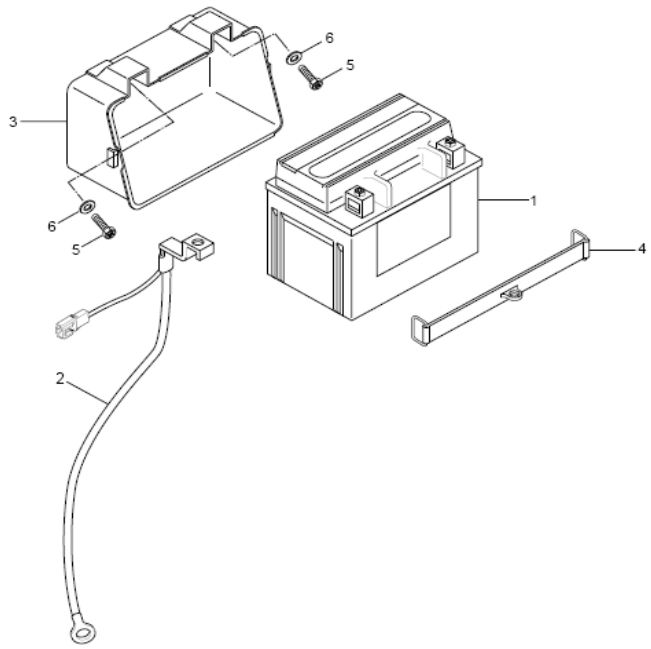


FIG 21. ELECTRICAL

_1

REF.	PARTS NAME	Q'TY
NO. LAT01		(PCS)
1	31800-35C00 RELAY ASS'Y, STARTING MOTOR	1
2	08316-26066 NUT, STARTING MOTOR	2
3	36740HG5800 FUSE CASE ASS'Y	1
4	33850HG5800 LEAD WIRE,STARTING MOTOR	1
5	32800H01413 RECTIFIER ASS'Y, REGULATOR	1
6	09128-06035 SCREW, RECTIFIER	2
7	33410HG5800 COIL ASSY,IGNITION	1
8	02112-46208 SCREW, IGNITION(M6*20)	2
9	33541-38210 SEAL,SPARK PLUG	1
10	33500HF4600 CAP SPARK PLUG	1
11	33542-98000 SEAL,HIGHTENSION CORD	1
12	CDI UNIT	
12-1	32900HG5850 CDI UNIT	
13	38740HM5400 RELAY, HEAD LAMP	1
14	02112-06128 SCREW, HEAD LAMP RELAY	1

F I G 2 1

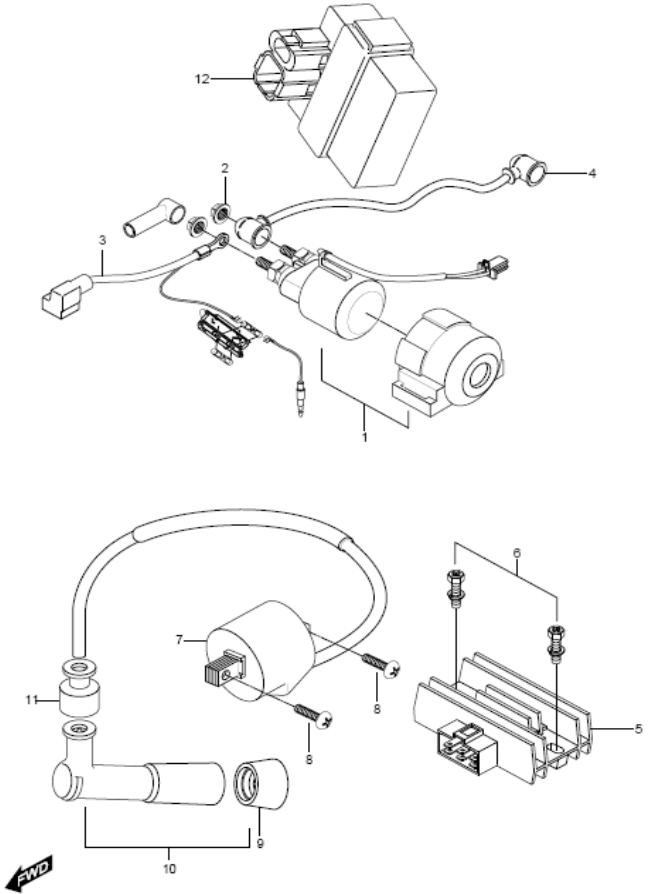


FIG 22. SPEEDOMETER ASS'Y

REF.	PARTS NAME	Q'TY
NO. LAT01		(PCS)
1	SPEEDOMETER ASS'Y	1
1-1	34100HG5860 SPEEDOMETER ASS'Y	1
2	39000HG5800 INDICATORLAMP,SPEEDOMETER	1
3	34950HG5800 BRACKET,SPEEDOMETER	1
4	34171HG5800 SOCKET ASSY,SPEEDOMETER	1
5	34910HG5803 CABLE ASS'Y, SPEEDOMETER	1
6	01107-06208 BOLT, SPEEDOMETER BRACKET(M6*20)	2
7	09169H06012 WASHER, SPEEDOMETER BRACKET	2

FIG 22

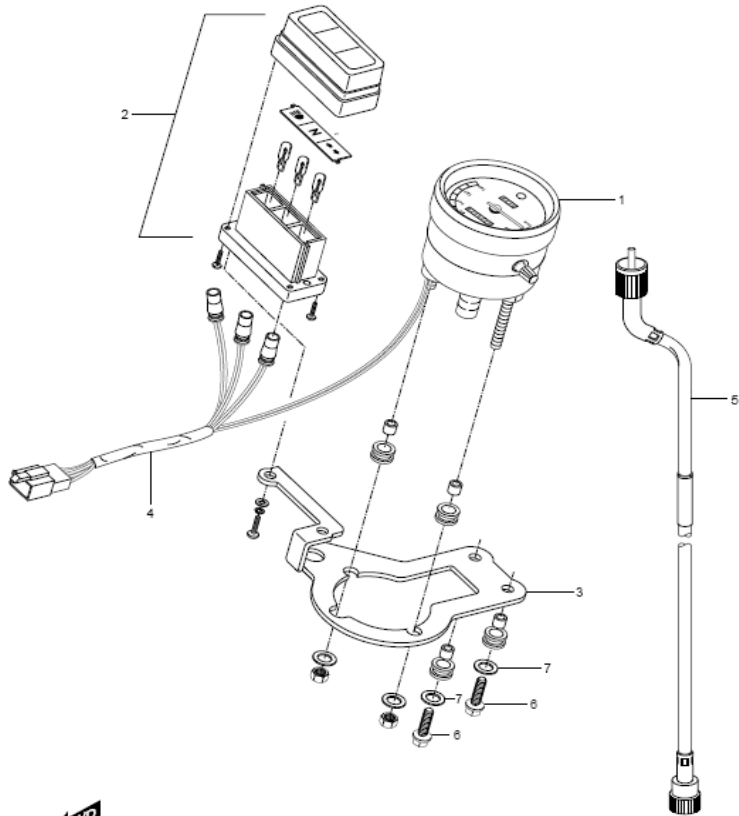


FIG 23. HEAD LAMP ASS'Y

REF.	PARTS NAME	Q'TY
NO. LAT01		(PCS)
1	HEAD LAMP ASS'Y	1
1-1	HEAD LAMP ASS'Y	1
1-2 35100HG5860	HEAD LAMP ASS'Y	1
2 09471-12100	BULB,HEAD LAMP(12V,35/35W)	1
3 35151HG5800	SCREW,HEAD LAMP AIMING	1
4 35155HG5800	WASHER,HEAD LAMP AIMING	1
5 35154HG5800	SPRING,HEAD LAMP AIMING	1
6	COVER, HEAD LAMP HOUSING (COLOR)	1
6-1 51811HG5850	COV, HEAD LAMP(3R1, 16B, 6B1)	1
7 51815HG5802	BAND, HEAD LAMP HOUSING	2
8	PLATE, HEAD LAMP HOUSING	1
8-1 51816HG5850	PLATE, HEAD LAMP HOUSING	1
9 02142-06125	SCREW, HEAD LAMP HOUSING(M6*12)	1
10 03241-05125	SCREW, HEAD LAMP(M5*12)	2
11 68210HG58000NO	EMBLEM, HYOSUNG(CR)	1
68210HG58000N1	EMBLEM, HYOSUNG(CB)	1

FIG 23

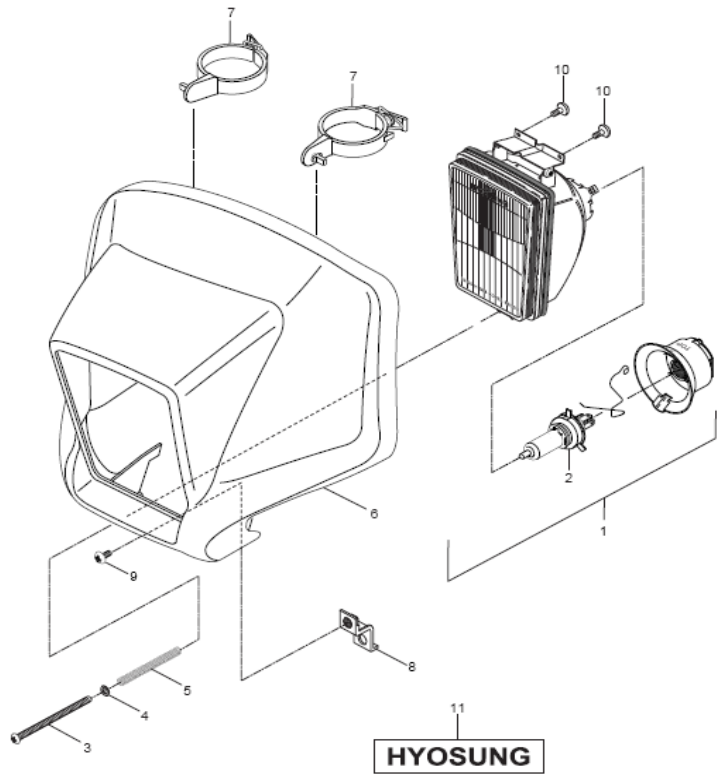


FIG 24. TURN SIGNAL LAMP

REF.	PARTS NAME	Q'TY
NO. LAT01		(PCS)
1	LAMP FT TURN SIGNAL R	1
1-1 35601-35C50	LAMP FT TURN SIGNAL R	1
2	LAMP FT TURN SIGNAL L	1
2-1 35602-35C50	LAMP FT TURN SIGNAL L	1
3	LAMP, RR TURN SIGNAL R	1
3-1 35603-35C50	LAMP, RR TURN SIGNAL R	1
3-2	LAMP, RR TURN SIGNAL R	2
4	LAMP, RR TURN SIGNAL L	1
4-1 35604-35C50	LAMP, RR TURN SIGNAL L	1
4-2	LAMP, RR TURN SIGNAL L	2
5 09471-12066	BULB, ASS'Y TURN SIGNAL LAMP(12V10V	4
6 35615HG5800	PLATE, FRONT TURN SIGNAL LAMP RH	1
7 35616HG5800	PLATE, FRONT TURN SIGNAL LAMP LH	1
8 08310-11068	NUT, REAR TURN SIGNAL(M6)	2
9 08322-21068	WASHER, REAR TURN SIGNAL	2
10 38610H09411	RELAY ASS'Y, TURN SIGNAL	1
11 35625-01A00	TAPPING SCREW	4
12 02142-05125	SCREW, FRONT TURN SIGNAL PLATE(M5	2
13 08316-16068	NUT, FRONT TURN SIGNAL(M6)	2

FIG 24

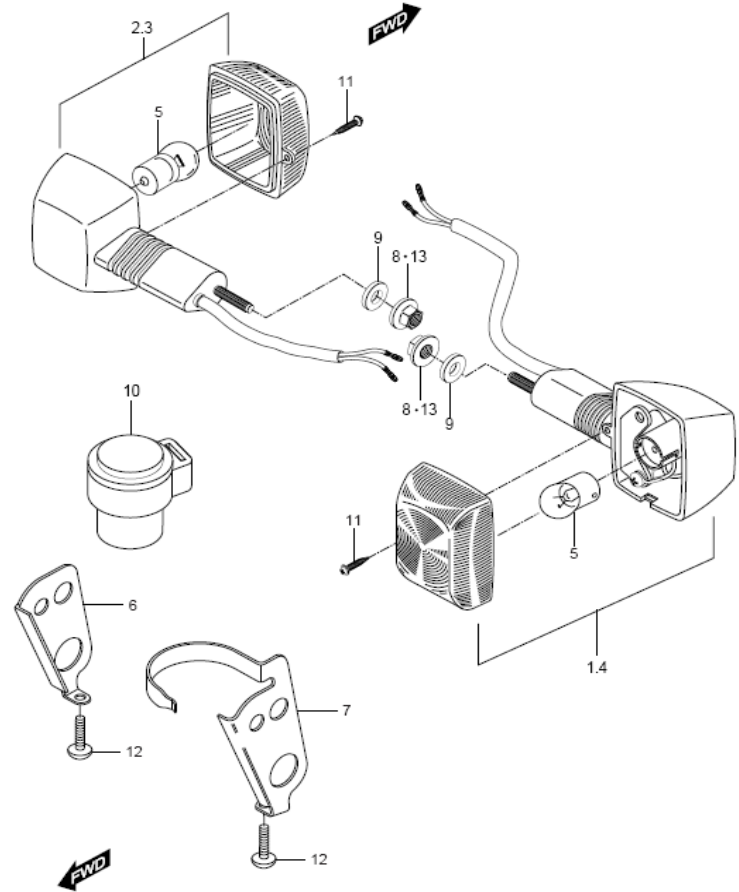


FIG 25. TAIL & STOP LAMP

REF. PARTS NAME Q'TY
NO. LAT01 (PCS)

1	LAMP ASS'Y, RR COMB	1
1-1 35710HG5850	LAMP ASS'Y, RR COMB	1
2 09471-12047	BULB, REAR COMBI(12V 21/5W)	1
3 35760HG5800	SOCKET ASS'Y, TAIL & STOP	1
4 03241-05256	SCREW,REAR FENDER & REAR COMBI LC	2
5 02142-06165	SCREW,REAR FENDER & REAR COMBI UF	2

FIG 25

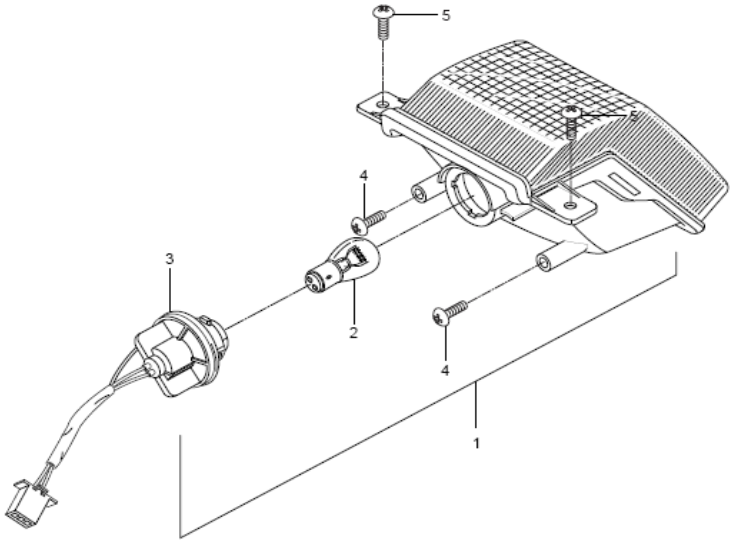


FIG 26. WIRING HARNESS & HORN

REF. NO. LAT01	PARTS NAME	Q'TY (PCS)
1	WIRING HARNESS	1
1-1	WIRING HARNESS	1
1-2 36610HG5851	WIRING HARNESS	1
1-3	WIRING HARNESS	1
1-4	WIRING HARNESS	1
2	HORN ASS'Y	1
2-1 38500HG5850	HORN ASS'Y	1
3 09407-254A1	CLAMP, WIRING HARNESS	1
4 09407-22402	CLAMP, WIRING HARNESS	1
5 09407-14403	CLAMP, WIRING HARNESS	4
6 09407-11401	CLAMP, WIRING HARNESS	5
7 02112-36128	BOLT, HORN(M6*12)	2
8 37100H93B30	LOCK ASS'Y, STEERING	1
9 01517-06168	BOLT, STEERING LOCK(M6*20)	2
9-1 09139H06016	SCREW, STEER LOCK	1
9-2	SCREW, STEER LOCK	1
10 09407-11401	CLAMP, WIRING HARNESS	3

FIG 26

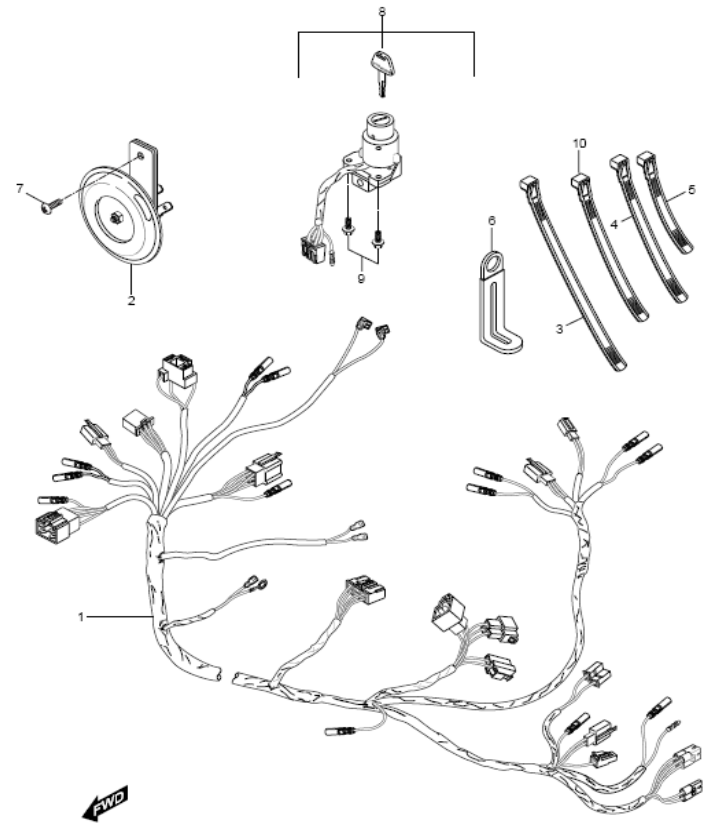


FIG 27. FRAME

_1

REF.	PARTS NAME	Q'TY
NO. LAT01		(PCS)
1	41100HG580903P FRAME COMP	1
2	41993HG5801 PLATE, ENGINE MTG UPPER RH	1
3	41994HG5801 PLATE, ENGINE MTG UPPER LH	1
4	01517-08608 BOLT, E/G MTG UPPER PLATE & FRAME(2
5	01517-08508 BOLT, E/G MTG UPPER PLATE & ENGINE(1
6	08319-31088 NUT, ENGINE MTG UPPER PLATE(M8)	3
7	01517-08658 BOLT, E/G MTG LOW BRACKETT & FRAM	2
8	41990HG580103P BRACKET COMP, ENGINE MOUNTING LO	1
9	09103H10149 BOLT, E/G MTG LOW BRACKETT & ENGIN	2
10	08319-31108 NUT, E/G MTG LOW BRACKETT & ENGIN	2
11	09103-08010 BOLT, ENGINE MTG REAR (L=88)	1
12	08319-31088 NUT, ENGINE MOUNTING REAR(M8)	1
13	GUARD, ENGINE	1
13-1	42511HG5850 GUARD, ENGINE	1
14	02142-06125 SCREW, ENGINE GUARD(M6*12)	3
15	09169-06034 WASHER, ENGINE GUARD	3
16	08319-31088 NUT, E/G MTG LOW BRACKETT & FRAME	2
17	41140HG580303P TUBE COMP, down	1
18	01517-08728 BOLT, e/g m.t.g. low bkt & Frame NO.2	1
19	01517-08168 BOLT, under guard pipe	2

FIG 27

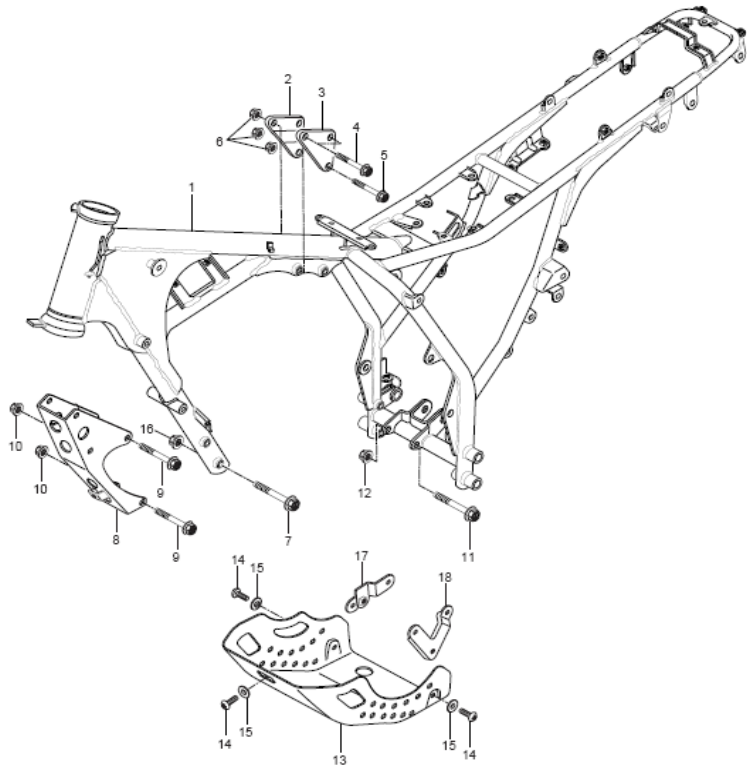


FIG 28. PROP STAND

_1

REF.	PARTS NAME	Q'TY
NO. LAT01		(PCS)
1	42310HG5850 STAND COMP, PROP	1
2	09100-10031 BOLT, PROP STAND(M10*30)	1
3	08313-11107 NUT, PROP STAND(M10)	1
4	SPRING,PROP STAND	1
4-1	09443-14036 SPRING,PROP STAND	1
5	BRACKET COMP,PROP STAND	1
5-1	42340HG585103P BRACKET COMP,PROP STAND	1
6	07110-08258 BOLT, PROP STAND & BRACKETT UPPER	2
7	08319-31088 NUT,PROP STAND & BRACKET BOLT UPP	2
8	09443-06001 SPRING, prop stand inner	1

F I G 2 8

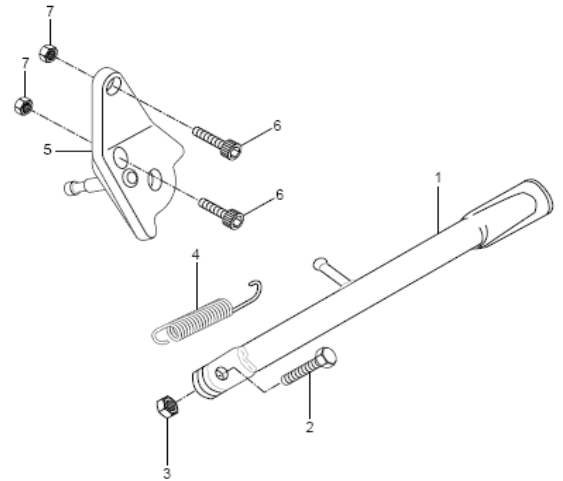


FIG 29. REAR BRAKE

REF.	PARTS NAME	Q'TY	
NO. LAT01		(PCS)	
1	43100HG5802	PEDAL COMP, BRAKE	1
2	08310-11068	NUT, BRAKE PEDAL ADJUSTER(M6)	1
3	43300HG5801	ROD ASS'Y, REAR BRAKE	1
4	08322-21068	WASHER, R/R BRAKE ROD R/R	1
5	09440-09013	SPRING, R/R BRAKE ROD R/R	1
6	09209-11006	PIN,R/R BRAKE ROD R/R	1
7	09150-06009	NUT,R/R BRAKE ROD R/R(M6)	1
8	09200-06013	PIN RR BRAKE ROD FRONT	1
9	04111-20208	COTTER PIN, R/R BRAKE ROD	1
10	08322-21068	WASHER, R/R BRAKE FT	1
11	09443H14025	SPRING, R/R BRAKE RETURN	1
12	01104-06208	BOLT, BRAKE PEDAL(M6*20)	1
13	09160-06012	WASHER, BRAKE PEDAL	1
14	43123HG5802	ARM,BRAKE ROD	1
15	01107-06168	BOLT, BRAKE PEDAL(M6*16)	1
16	09443H06006	SPRING STOP LAMP SWITCH	1
17	43129-35C00	WASHER LOCK	1
18	37740-04502	SWITCH ASS'Y, STOP LAMP	1
19	43310HG5801	ROD COMP,REAR BRAKE	1

F I G 2 9

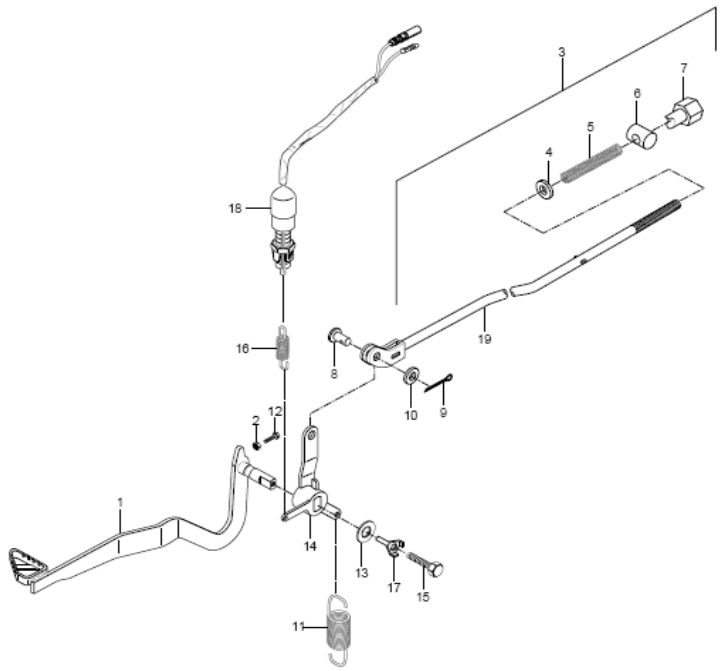


FIG 30. FOOTREST BAR

REF.	PARTS NAME	Q'TY	
NO. LAT01		(PCS)	
1	09200-10008	PIN, FRONT FOOTREST	2
2	09116H10061	BOLT, FRONT FOOTREST BRACKT	4
3	08322-21068	WASHER, PILLION FOOTREST PIN	2
4	43631-34A00	WASHER, PILLION FOOTREST RUBBER	2
5	43710-12B01	BAR COMP, PILLION FOOTREST L	1
6	43610-12B01	BAR COMP, PILLION FOOTREST R	1
7	43551-29B21	RUBBER.PILLION FOOTREST	2
8	43510HG5801	BAR COMP, FRONT FOOTREST R	1
9	43550HG5800	FOOTREST COMP,FRONT R	1
10	43520HG5801	BAR COMP, FRONT FOOTREST L	1
11	43560HG5800	FOOTREST COMP,FRONT L	1
12	09319-10033	BUSH, FRONT FOOTREST	4
13	09448H16001	SPRING,FRONT FOOTREST	2
14	08322-21108	WASHER,FRONT FOOTREST	4
15	43650HG580003P	BRACKET COMP, PILLION FOOTREST R	1
16	09200H06057	PIN, FILLION FOOTREST	2
17	04111-20208	COTTER PIN, PILLION FOOTREST	2
18	43750HG580003P	BRACKET COMP, PILLION FOOTREST L	1
19	01517-08168	BOLT, PILLION FOOTREST BRACKET(M8 ³)	4
20	43650HG5800HPA	BRACKET PILLION R ASS'Y	1
21	43750HG5800HPA	BRACKET PILLION L ASS'Y	1
22	43520HG5801HPA	BAR FOOTREST L ASS'Y	1
23	43510HG5801HPA	BAR FOOTREST R ASS'Y	1

FIG 30

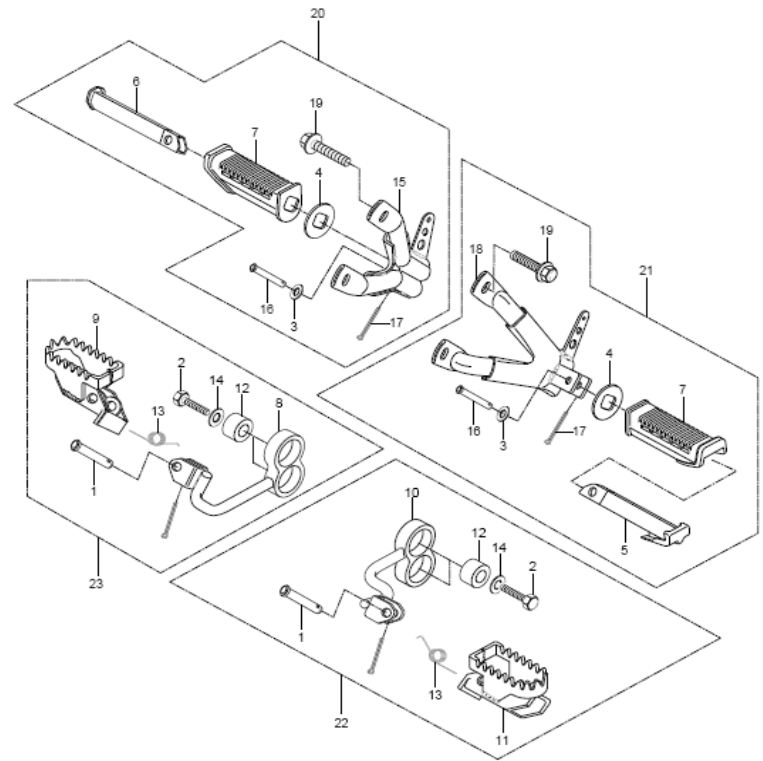


FIG 31. FUEL TANK

REF. PARTS NAME Q'TY
 NO. LAT01 (PCS)

1	44110HG5810	TANK COMP, FUEL	1
2	44500HG5850	COVER ASS'Y, FUEL(16B:0SY,3R1:0CR,6B1	1
3	45119HG5800	PLATE, SEAT FRONT HOOK	1
4	01137-06208	BOLT, FUEL TANK R/R(6*20)	2
5	09180H06067	SPACER, FUEL TANK R/R	2
6	02142-06125	SCREW, FUEL TANK COVER(M6*12)	2
7	09169-06034	WASHER, FUEL TANK COVER	2
8	44248-05210	GASKET,FUEL TANK FILTER CAP	1
9	44210HG5801	CAP ASS'Y, FUEL TANK FILTER	1
10	09343-05052	HOSE FUEL TANK BRTH(L=580)	1
11	09180H06069	SPACER, FUEL TANK FRONT	2
12	09320H10038	CUSHION, FUEL TANK FRONT	2
13	09160-06004	WASHER, FUEL TANK FRONT	2
14	01104-06258	BOLT, FUEL TANK FRONT(M6*25)	2
15	44541HG5800	CUSHION, FUEL TANK UPPER	1
16	03241-15125	SCREW, FUEL TANK COVER FRONT(M5*1	1
17	09148-05004	NUT, FUEL TANK COVER R/R(M5)	1
18	03241-15125	SCREW, FUEL TANK COVER R/R(M5*12)	1
19-1		EMBLEM,FUEL TANK R 0OR	1
19-2		EMBLEM,FUEL TANK R 0SY	1
19-3		EMBLEM,FUEL TANK R 0CR	1
19-4		EMBLEM,FUEL TANK R 0CB	1
19-5		EMBLEM,FUEL TANK R 0OR	1
19-6	68114HG58500LZ	EMBLEM,FUEL TANK R 0SY	1
19-7	68114HG58500NI	EMBLEM,FUEL TANK R 0CR	1
19-8	68114HG58500LK	EMBLEM,FUEL TANK R 0CB	1
20-1		EMBLEM,FUEL TANK L 0OR	1
20-2		EMBLEM,FUEL TANK L 0SY	1

FIG 31

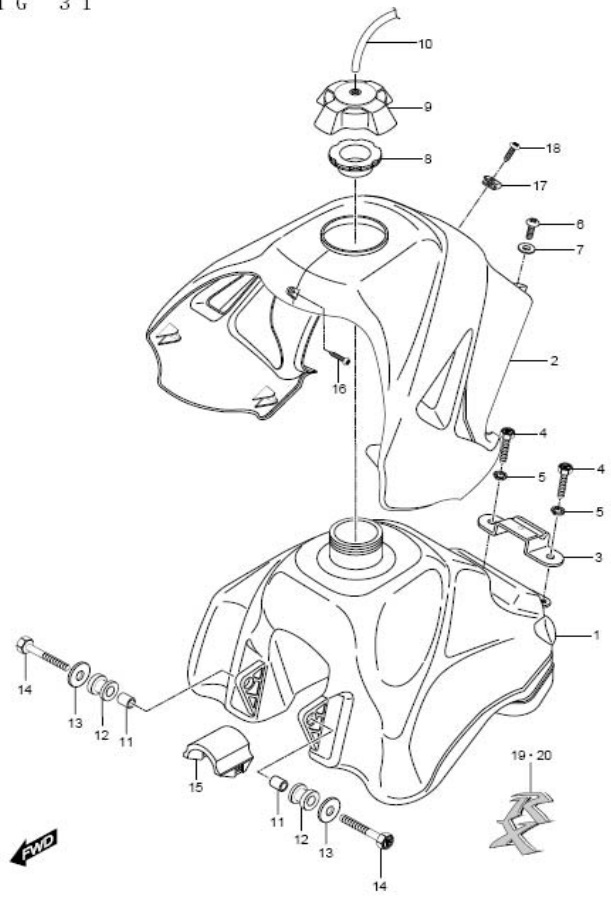


FIG 31. FUEL TANK

REF. NO. LAT01	PARTS NAME	Q'TY (PCS)
20-6	68116HG58500LZ EMBLEM,FUEL TANK L OSY	1
20-7	68116HG58500NI EMBLEM,FUEL TANK L OCR	1
20-8	68116HG58500NK EMBLEM,FUEL TANK L OCB	1
21	68319H05330 PLATE, caution OR,CB,CR	1
21-1	68319H05340 PLATE, caution OSY	1
21-2	PLATE, caution OB,CR	1
21-3	PLATE, caution OR,SY	1

FIG 31

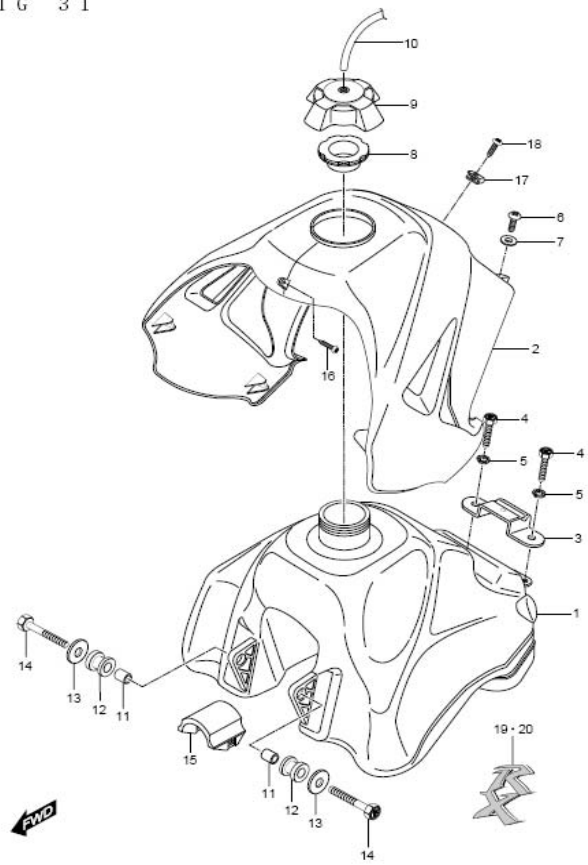


FIG 32. FUEL COCK

_1

REF.	PARTS NAME	Q'TY
NO. LAT01		(PCS)
1	44300HG5802 COCK ASS'Y, FUEL	1
2	09168-06010 GASKET, FUEL COCK	2
3	09128-06005 BOLT, FUEL COCK ~ KM4MP41A841203032	2
3~1	01547-06148 BOLT, FUEL COCK KM4MP41A841203033 ~	2
4	44191HG5800 HOSE, FUEL (L=140)	1
5	09401-08401 CLIP, FUEL HOSE	1

F I G 3 2

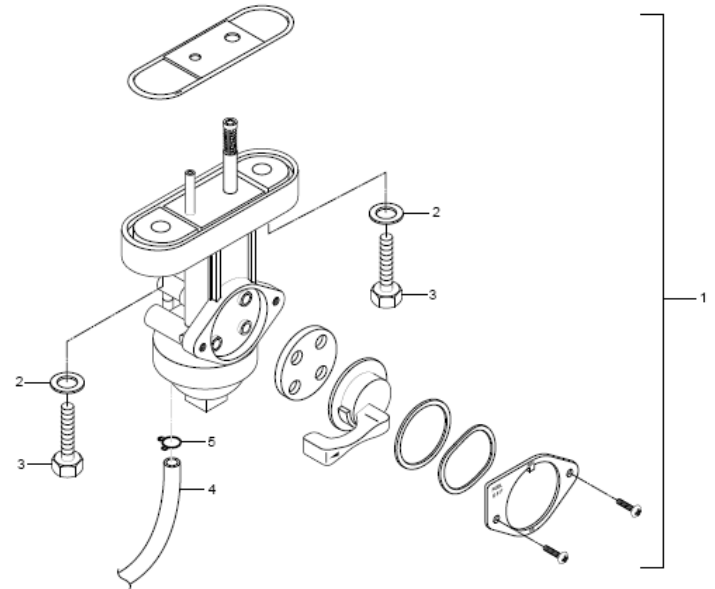


FIG 33. SEAT & SEAT TAIL COVER

_1

REF.	PARTS NAME	Q'TY
NO. LAT01		(PCS)
1	45100HG5804 SEAT SET	1
2	45511HG5851 COVER, SEAT TAIL (COLOR)	1
3	02142-06125 SCREW, SEAT TAIL COVER(M6*12)	3
4	09169-06034 WASHER, SEAT TAIL COVER	3
5	46210HG580103P CARRIER COMP, REAR R	1
6	46220HG580103P CARRIER COMP, REAR L	1
7	01517-08168 BOLT, REAR CARRIER(M8*16)	4

FIG 33

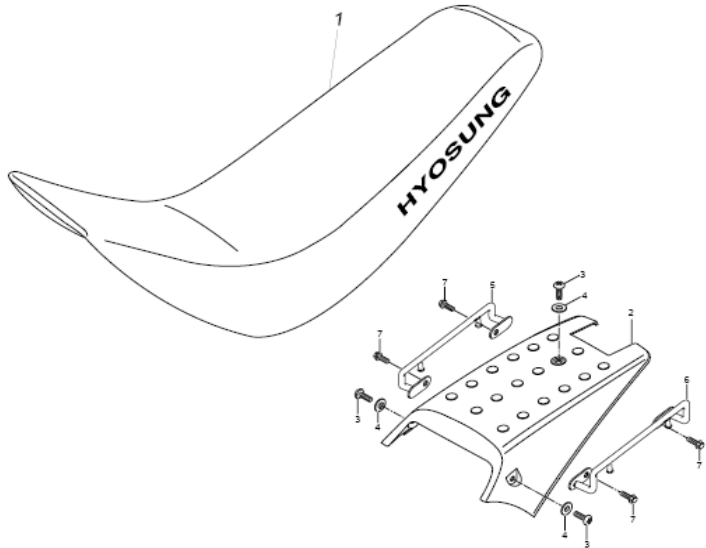


FIG 34. SIDE COVER

_1

REF.	PARTS NAME	Q'TY
NO. LAT01		(PCS)
1	47321HG580103P COVER, FRAME FRONT L	1
2	47311HG580103P COVER, FRAME FRONT R	1
3	47211HG5850 COVER,SIDE LB (COLOR)	1
4	47111HG5801 COVER,SIDE R (COLOR)	1
5	02142-06125 SCREW, SIDE COVER(M6*12)	4
6	09169-06034 WASHER, SIDE COVER	4
7	02142-06125 SCREW, FRAME COVER(M6*12)	2
8	09169-06034 WASHER, FRAME COVER	2
9	47161HE6101 CUSHION, SIDE COVER RH	2
10	47239HG5800 HEAT SHIELD, SIDE COVER LH	1
11	47161HG5801 MOLDING, SIDE COVER	2
12	TAPE,SIDE COVER R 00R,0CR	1
12-1	TAPE,SIDE COVER R 0SY	1
12-2	TAPE,SIDE COVER R 0CB	1
12-3	68134HG58500MA TAPE,SIDE COVER R 00R,0CR	1
12-4	68134HG58500MB TAPE,SIDE COVER R 0SY	1
12-5	68134HG58500MC TAPE,SIDE COVER R 0CB	1
13	TAPE,SIDE COVER L 00R,0CR	1
13-1	TAPE,SIDE COVER L 0SY	1
13-2	TAPE,SIDE COVER L 0CB	1
13-3	68136HG58500MA TAPE,SIDE COVER L 00R,0CR	1
13-4	68136HG58500MB TAPE,SIDE COVER L 0SY	1
13-5	68136HG58500MC TAPE,SIDE COVER L 0CB	1

FIG 34

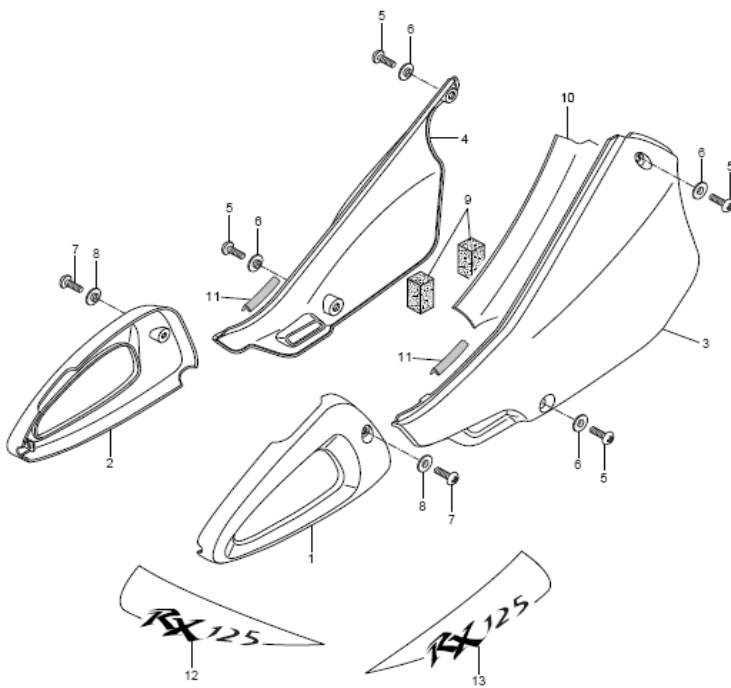


FIG 35. FRONT FORK & FENDER

REF. PARTS NAME Q'TY
NO. LAT01 (PCS)

0	51100HG5800HPA FORK ASS'Y,FRONT	1
1	51311HG581303P BRACKET, FRONT FORK UPPER	1
2	51412HG5800HPA BRACKET COMP, FRONT FORK UNDER	1
3	51411HG581003P BRACKET, FRONT FORK UPPER	1
4	51412HG5811 STEERING, STEM	1
5	01517-10458 BOLT, FRONT FORK UPPER BRACKET(M1	2
6	01517-08468 BOLT, FRONT FORK UPPER BRACKET(M8	4
7	09265H25001 BEARING, STEERING LOWER	1
8	51103HG5801 DAMPER ASS'Y, FRONT FORK R	1
9	51104HG5800 DAMPER ASS'Y, FRONT FORK L	1
9-1	52220-G5800 UPPER CASE, fork	2
9-2	52110-G5800 PIPE, fork	2
9-3	51255HG5800 OIL SEAL, fork	2
10	51631-28000 NUT, STEERING STEM	1
11	51643HG5801 DUST SEAL, STEERING UPPER	1
12	09159H22001 NUT, STEERING UPPER	1
13	09160H22031 WASHER, STEERING UPPER	1
14	09265H28001 BRARING, STEERING UPPER	1
15	51201HG5800 PROTECTOR, FRONT FORK R	1
16	51202HG5800 PROTECTOR, FRONT FORK L	1
17	02142-05125 SCREW, FRONT FORK PROTECTOR(M5*12	4
18	09169-05008 WASHER, FRONT FORK PROTECTOR	4
19	51210HG5801 GUIDE, FRONT FORK PROTECTOR	2
20	02112-05258 SCREW, GUIDE PROTECTOR(M5*25)	4
21	34938HG5800 GUIDE, SPEEDOMETER CABLE	1
22	08316-26055 NUT, GUIDE PROTECTOR(M5)	4
23	08322-21058 WASHER, GUIDE PROTECTOR SCREW	4
24	59266HG5800 CLAMP, BRAKE HOSE NO.1	1
25	59268HG5801 CLAMP, BRAKE HOSE NO.3	1
26	01517-06125 BOLT, HOSE CLAMP NO.3(M6*12)	2
27	53111HG5850 FENDER, FRONT (16B:0SY,3R1:0CR,6B1:0C	1

FIG 35

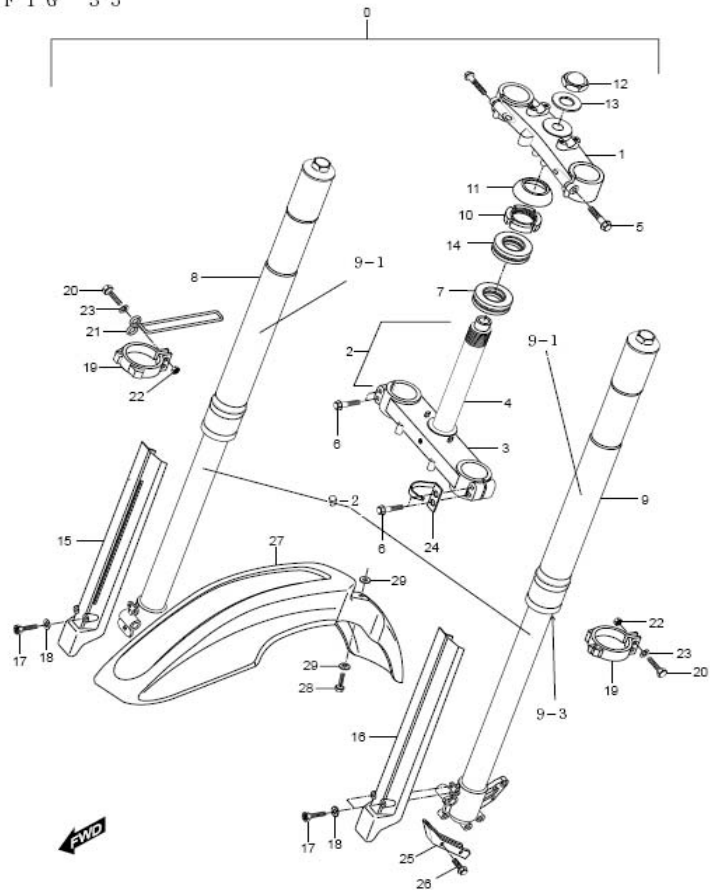


FIG 36. FRONT WHEEL

REF.	PARTS NAME	Q'TY
NO. LAT01		(PCS)
1	54110HG5806 HUB,FRONT WHEEL	1
2	55311HG5850 RIM, FRONT WHEEL(1.60*21)	1
3	55321HG5801 SPOKE, FRONT WHEEL INNER	18
4	55322HG5801 SPOKE, FRONT WHEEL OUTER	18
5	65325-03020 NIPPLE, WHEEL SPOKE	36
6	08123-62027 BEARING, FRONT HUB	2
7	54750HG5800 SPACER COMP, FRONT AXLE LH	1
8	54600HG5802 BOX ASS'Y, SPEEDOMETER GEAR	1
9	59211HG5800 DISK,FRONT BRAKE	1
10	54711HG5810 AXLE,FRONT	1
11	55101HG5800 TIRE SET,FRONT(2.75*21 45P)	1
12	55100HG5800 TIRE COMP,FRONT(2.75*21 45P)	1
12~155100HG5850	TIRE COMP,FRONT(2.75*21 45P) KM4PF41A131202061 ~	1
13	55200-16510 TUBE ASS'Y, FRONT WHEEL INNER	1
14	55261-16510 PROTECTOR, FRONT WHEEL INNER	1
15	59421-03A01 BOLT, FRONT DISC	4
16	54110HG5806HPA FRONT WHEEL COMP	1
17	54731HG5800 SPC, FT AXLE	1

FIG 36

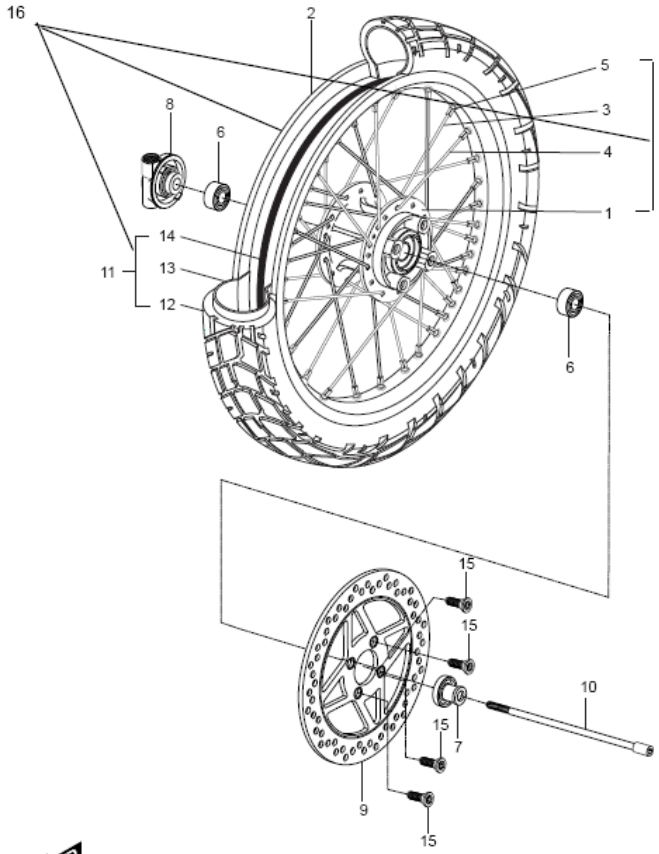


FIG 37. HANDLE BAR

REF. PARTS NAME Q'TY
 NO. LAT01 (PCS)

1	56110HG5856PAMHANDLE BAR COMP	1
2	56172HG5800 PAD CROSSBAR	1
3	09407-18401 BAND, CROSSBAR PAD	2
4	56211-272A0 HOLDER, HANDLEBAR	2
5	01517-08355 BOLT,HANDLEBAR HOLDER(M8*35)	4
6	MIRROR ASSY,REAR VIEW R	1
6-1	56500HM5450 MIRROR ASSY,REAR VIEW R	1
7	MIRROR ASSY,REAR VIEW L	1
7-1	56600HM5450 MIRROR ASSY,REAR VIEW L	1
8	58200HG5802 CABLE ASSY,CLUTCH	1
9	58300HG5805 CABLE ASSY THROTTLE	1
10	58410HG5808 CABLE ASS'Y STARTER	1
11	09200-06004 PIN CLUTCH CABLE	1
12	04111-20158 COTTER PIN, CLUTCH	1
13	09407-14403 CLAMP, HANDLE SWITCH HARNESS	2
14	56501HM5450 MIRROR SET	1
15	56271HF4501PLA BALANCER, handle bar	2
16	07110-08258 BOLT, handle bar balancer	2

FIG 37

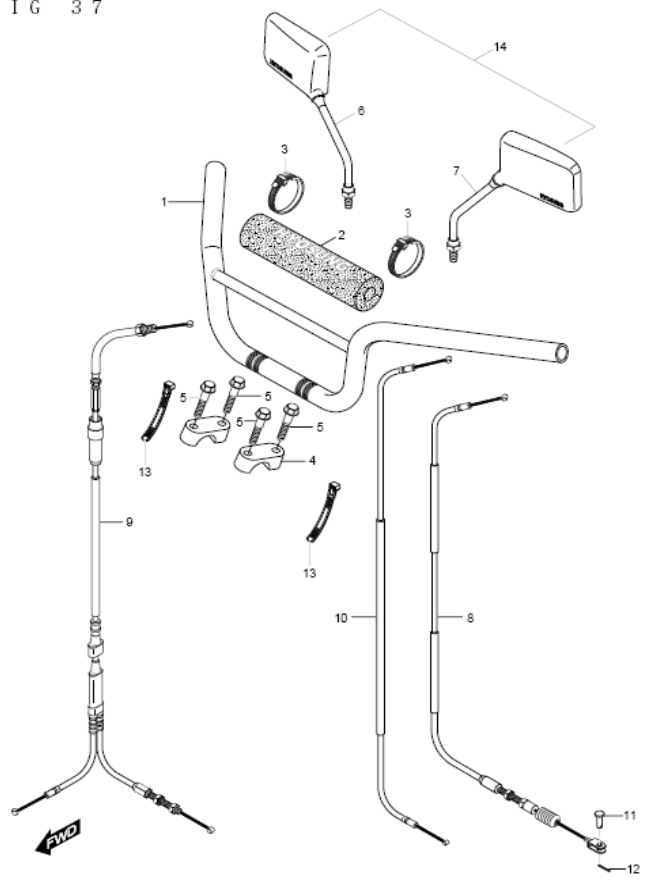


FIG 38. HANDLE SWITCH

REF.	PARTS NAME	Q'TY
NO. LAT01		(PCS)
1	37200HM5401 SWITCH ASS`Y, handle R	1
2	57110HG5803 GRIP COMP, throttle	1
3	57113H93B00 COVER, throttle grip	1
4	56271HF4501PLA BALANCER	2
5	07110-08208 BOLT, handle balancer	2
6	37400H35C10 SWITCH ASS`Y, handle L	1
7	57211HG5800 GRIP COMP, L	1
8	02112-05105 SCREW, throttle cable	1
9	57460-17C00 SWITCH ASS`Y, clutch lever	1
10	57421NH9100 LEVER, brake	1
11	57431H05D00 BOLT, brake lever pivot	1
12	08319-21065 NUT, brake lever pivot	1
13	57500HG5800 LEVER ASS`Y, clutch	1
14	57620HN9100 CLUTCH LEVER	1
15	57511HG5800 HOLDER, clutch lever	1
16	57431H05D00 BOLT , clutch lever pivot	1
17	08319-21065 NUT, brake lever pivot	1
18	57451HG5800 BOLT, clutch lever holder	1
19	57442H93B00 LOCK NUT	1
20	57441H93B00 ADJUSTER, wire	1
21	57661HJ8200 COVER, clutch lever	1
22	09407-14403 CLAMP, handle switch harness	2
23	02112-05455 SCREW, h/switch LH	2
24	02112-05105 SCREW, choke cable	1
25	02112-05205 SCREW, H/switch RH	2

FIG

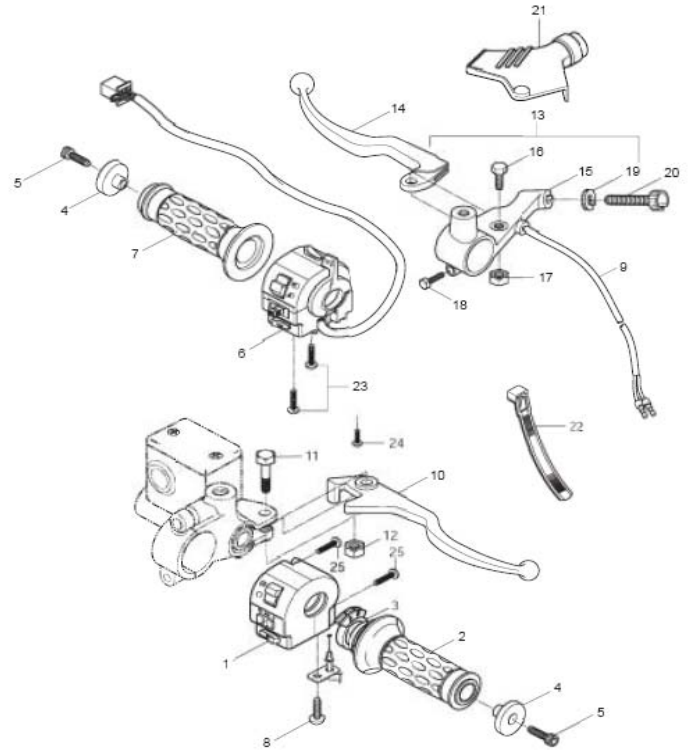


FIG 39. CALIPER

REF.	PARTS NAME	Q'TY
NO. LAT01		(PCS)
0	59300HG5812 CALIPER ASS'Y, FRONT	1
1	07120-08308 BOLT,CALIPER	2
2	59300HG5800 PAD SET	1
2-A	59301HP9500 PAD SET(8.4t)	1
	KM4PF41A761253371-	

FIG 39

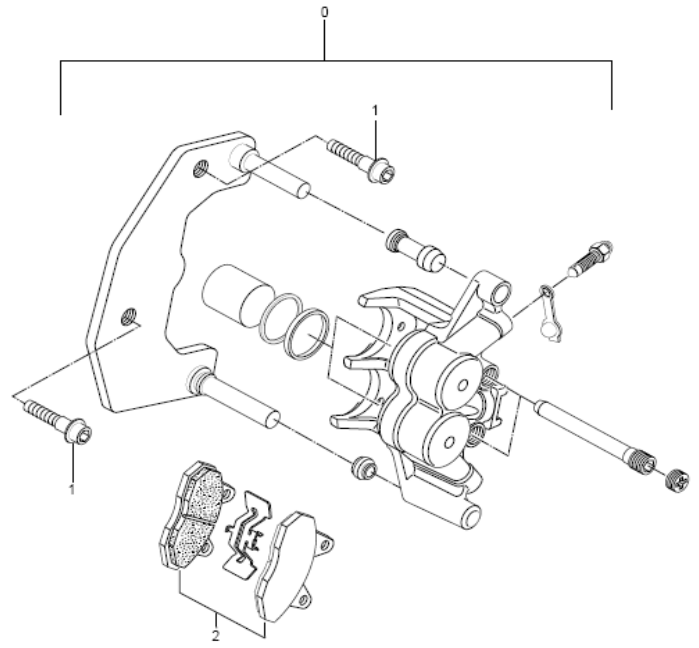


FIG 40. MASTER CYLINDER & BRAKE HOSE

REF.	PARTS NAME	Q'TY
NO. LAT01		(PCS)
1	59600-35C03	CYLINDER ASS'Y, FRONT MASTER
2	59480HG5806	HOSE COMP, FRONT BRAKE
3	09161-10005	WASHER, BRAKE FLUID
4	09360-10039	BOLT, BRAKE HOSE
5	59711H49002	BOOT, MASTER CYLINDER
6	59265HG5800	GUIDE, BRAKE HOSE

FIG 40

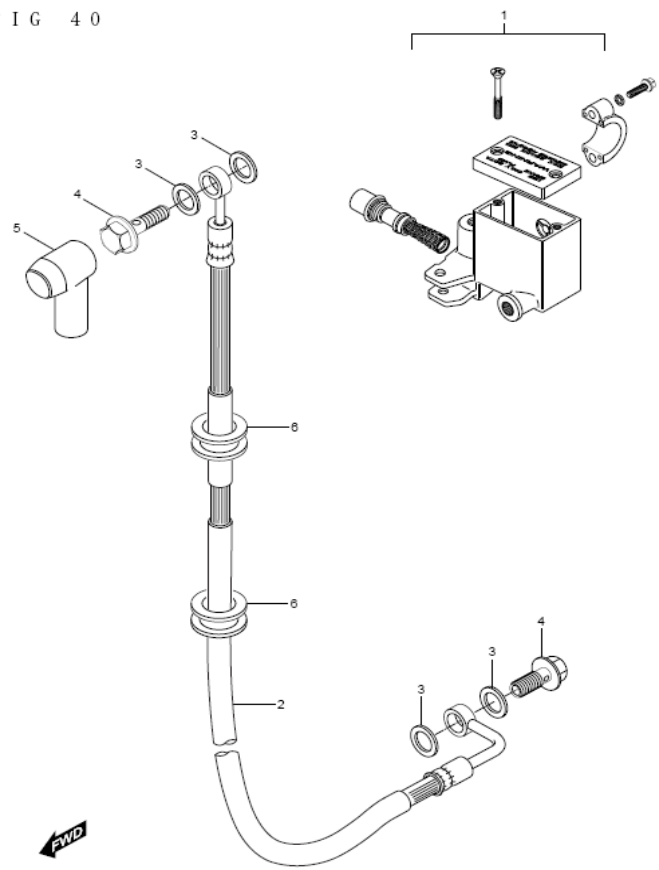


FIG 41. REAR SWINGARM

REF. PARTS NAME Q'TY
NO. LAT01 (PCS)

1	61100HG5805HPA SWING ARM COMP, REAR	1
2	61273HG5802 BUFFER,CHAIN TOUCH DEFENSE	1
3	02142-06165 BOLT, CHAIN TOUCH DEFENSE BUFFER(2
4	09169H06011 WASHER, CHAIN TOUCH DEFENSE BUFFI	2
5	61211HG5801 SHAFT, REAR SWINGARM PIVOT	1
6	09263-20073 BEARING, REAR SWINGARM PIVOT	2
7	09180H14002 SPACER, REAR SWINGARM PIVOT R	1
8	09180H14003 SPACER, REAR SWINGARM PIVOT L	1
9	09159H14008 NUT, REAR SWINGARM PIVOT	1
10	09283-20031 SEAL, REAR CUSHION ROD	2
11	09263H20003 BRARING, REAR CUSHION ROD	2
12	09180H14001 SPACER, REAR CUSHION ROD	1
13	64310HG5800 TORQUE LINK COMP,REAR	1
14	09111-08012 BOLT, REAR TORQUE LINK FRONT	1
15	09111-08013 BOLT, REAR TORQUE LINK REAR	1
16	09140-08008 NUT, REAR TORQUE LINK	2
17	04111-20208 COTTER PIN, REAR TORQUE LINK	2
18	08321-31088 WASHER, REAR TORQUE LINK	2
19	61410HG5800 ADJUSTER COMP, CHAIN	2
20	61421HG5800 PLATE, CHAIN ADJUSTER GUIDE	2
21	64712HG5800 WASHER, CHAIN ADJUSTER	2
22	08319-31088 NUT, CHAIN ADJUSTER	2
23	62611HG5800 LEVER, REAR CUSHION	1
24	09284H33003 DUST SEAL, REAR CUSHION LEVER FRO	2
25	09263-20073 BRARING, REAR CUSHION LEVER FRONT	1
26	09180H12001 SPACER, REAR CUSHION LEVER FRONT	2
27	09103H12046 BOLT,REAR CUSHION LEVER FRONT	1
28	08319-31128 NUT, REAR CUSHION LEVER FRONT(M12	1

FIG 41

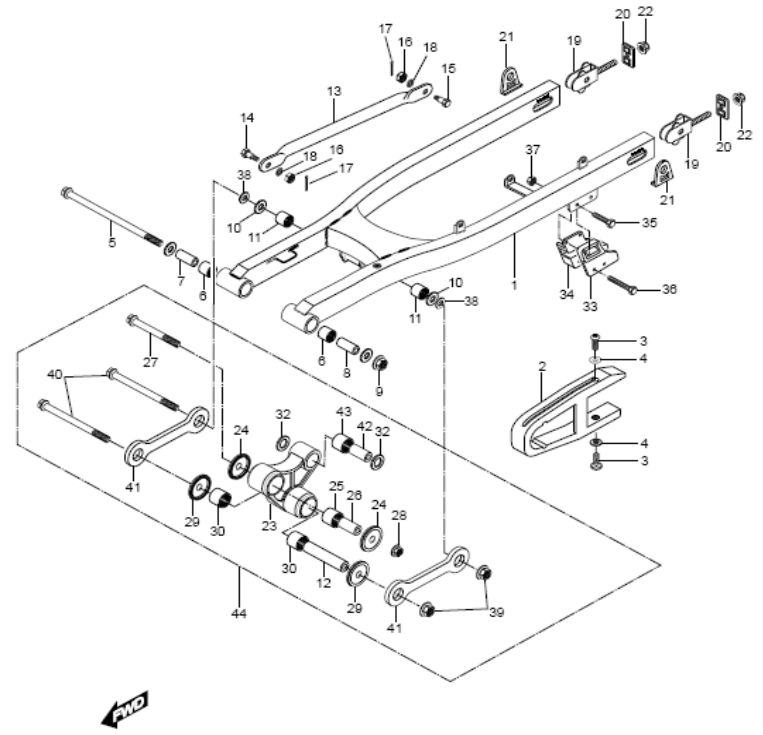


FIG 41. REAR SWINGARM

_1

REF.	PARTS NAME	Q'TY
NO. LAT01		(PCS)
32	09284H32001 WASHER, REAR CUSHION ROD	2
33	61396HG5801 GUIDE,DRIVEN CHAIN NO.1	1
34	61397HG5801 GUIDE,DRIVEN CHAIN NO.2	1
35	01517-06308 BOLT, SWING ARM & CHAIN GUIDE(M6*3)	2
36	01547-06458 BOLT, CHAIN GUIDE NO.1 & NO.2(M6*45)	2
37	09316-26066 NUT, SWING ARM & CHAIN GUIDE(M6)	2
38	09284H32001 SEAL, rear cushion lever	2
39	09159H14008 NUT, REAR CUSHION ROD	2
40	09103H14001 BOLT, REAR CUSHION ROD	2
41	62641HG5800 ROD, REAR CUSHION LEVER	2
42	09180H10073 SPACER, REAR CUSHION LEVER REAR	1
43	09263H17002 BEARING, REAR CUSHION LEVER REAR	1
44	62611HG5800HPA LEVER, REAR CUSHION	1
45	LABEL, chain case	1
45-1	LABEL, chain case	1
45-2	LABEL, chain case	1
45-3	68320HG5880 LABEL, chain case	1

FIG 41

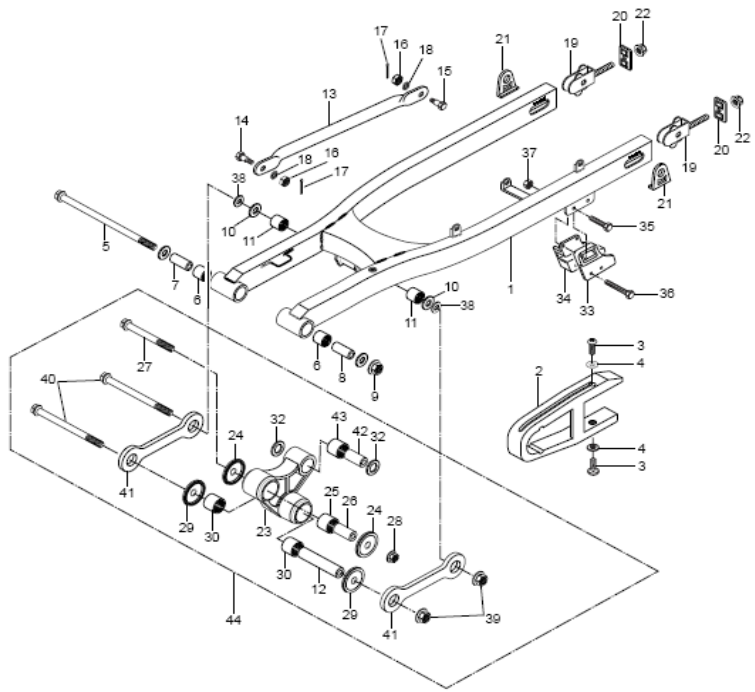


FIG 42. REAR SHOCKABSORBER

_1

REF.	PARTS NAME	Q'TY
NO. LAT01		(PCS)
1	62100HG5805 SHOCK ABSORBER ASS'Y, REAR	1
2	09103H10230 BOLT,REAR SHOCK ABSORBER UPPER	1
3	08319-31108 NUT, REAR SHOCK ABSORBER(M10)	1
4	09103H10101 BOLT, REAR SHOCK ABSORBER LOWER	1
5	61311HG5800 CHAIN CASE	1
6	09111H06066 BOLT, CHAIN CASE	3
7	09160-10001 WASHER, REAR ABSORBER LOWER	1

FIG 42

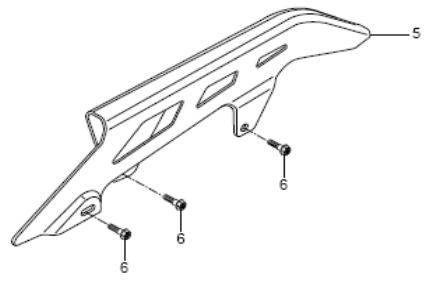
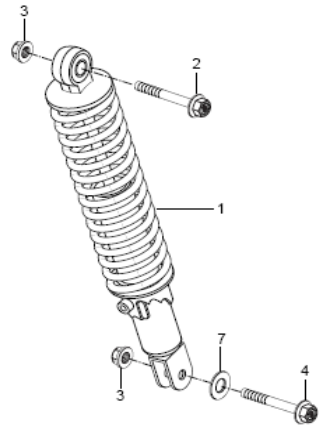


FIG 43. REAR FENDER

_J

REF.	PARTS NAME	Q'TY
NO. LAT01		(PCS)
1	63112HG5803 REAR FENDER, FRONT	1
2	02142-06125 SCREW, REAR FENDER FRONT(M6*12)	2
3	02142-06165 SCREW, REAR FENDER FRONT(M6*16)	2
4	09169-06034 WASHER, REAR FENDER FRONT	6
5	63113HG5851 REAR FENDER, REAR	1
6	02142-06125 SCREW, REAR FENDER REAR(M6*12)	2
7	09148-06020 NUT, REAR FENDER & REAR COMBI UP(N	2
8	LAMP ASS'Y, LICENSE	1
8-1	35910HG5850 LAMP ASS'Y, LICENSE	
9	35915HG5800 COVER, LICENSE LAMP	1
10	01107-05605 BOLT, LICENSE LAMP(M5*60)	2
11	08316-26055 NUT, LICENSE LAMP(M5)	2
12	35970-17303 REFLEX REFLECTOR ASS'Y, REAR	1
13	08316-26055 NUT, REAR REFLEX REFLECTOR(M5)	1
14	35927H44430 BRACKET,LICENSE PLATE	1
15	02142-06165 SCREW, LICENSE PLATE BRACKET(M6*16)	2
16	08316-16068 NUT, LICENSE PLATE BRACKET(M6)	2
17	01517-08168 BOLT,SEAT REAR(M8*16)	2
18	09169-06034 WASHER, SEAT REAR BOLT	2

F I G 4 3

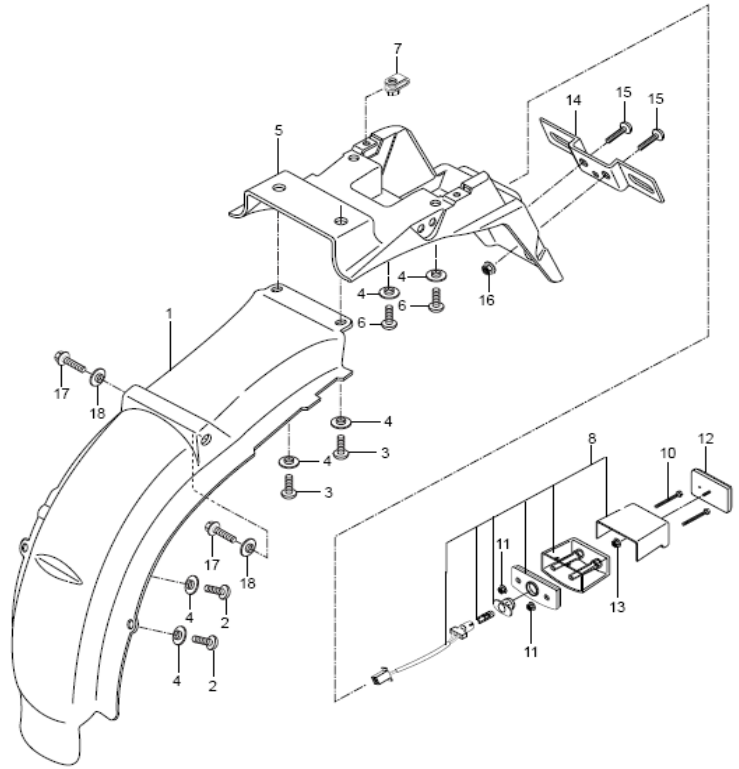


FIG 44. REAR WHEEL

REF.	PARTS NAME	Q'TY
NO. LAT01		(PCS)
0	65310HG5850HPA REAR WHEEL COMP	1
1	64110-07605 HUB,REAR	1
2	65311HG5850 RIM, REAR WHEEL(1.60*18)	1
3	64651-07001 DAMPER SHOCK, REAR HUB	1
4	09180-15011 SPACER, REAR HUB BEARING	1
5	65321H08B00 SPOKE REAR WHEEL INNER	18
6	65322H08B00 SPOKE REAR WHEEL OUTER	18
7	65325-03020 NIPPLE, WHEEL SPOKE	36
8	08123-62027 BEARING, EAR HUB L	1
9	08124-63027 BEARING, EAR HUB R	1
10	64210HG5800BRA PANEL COMP,REAR BRAKE ANCHOR	1
11	64400S93B01 SHOE COMP, BRAKE ~KM4PF41A761204532	1
11~164400S93B03	SHOE COMP, BRAKE KM4PF41A761204533~	1
12	09443H08025 SPRING,REAR BRAKE SHOE	2
13	54441-29306 CAM REAR BK	1
14	64451-38210 LEVER REAR BRAKE CAM	1
15	09280-14003 O-RING,REAR BRAKE CAM	1
16	09160H14001 WASHER,REAR BRAKE CAM DUST SEAL	1
17	01517-06358 BOLT, REAR BRAKE CAM LEVER(M6*35)	1
18	08316-16068 NUT, REAR BRAKE CAM LEVER(M6)	1
19	64611H05300 DRUM REAR SPROCKET MOUNTING	1
20	64511H93B00 SPROCKET REAR(48T)	1
21	64733-39100 RETAINER, REAR SPROCKET DRUM	1
22	09105H08001 BOLT, REAR SPROCKET	4
23	09169-08012 WASHER, REAR SPROCKET	2
24	09285-28001 OIL SEAL, REAR SPROCKET MTG DRUM	1
25	08113-62047 BRARING, REAR SPROCKET MTG DRUM	1
26	08310-11088 NUT, REAR SPROCKET(M8)	4
27	64711HG5800 AXLE,REAR	1
28	64741-08B10 SPACER REAR AXLE R	1
29	64751H93B00 SPACER REAR AXLE L	1
30	08322-11148 WASHER, REAR AXLE	1

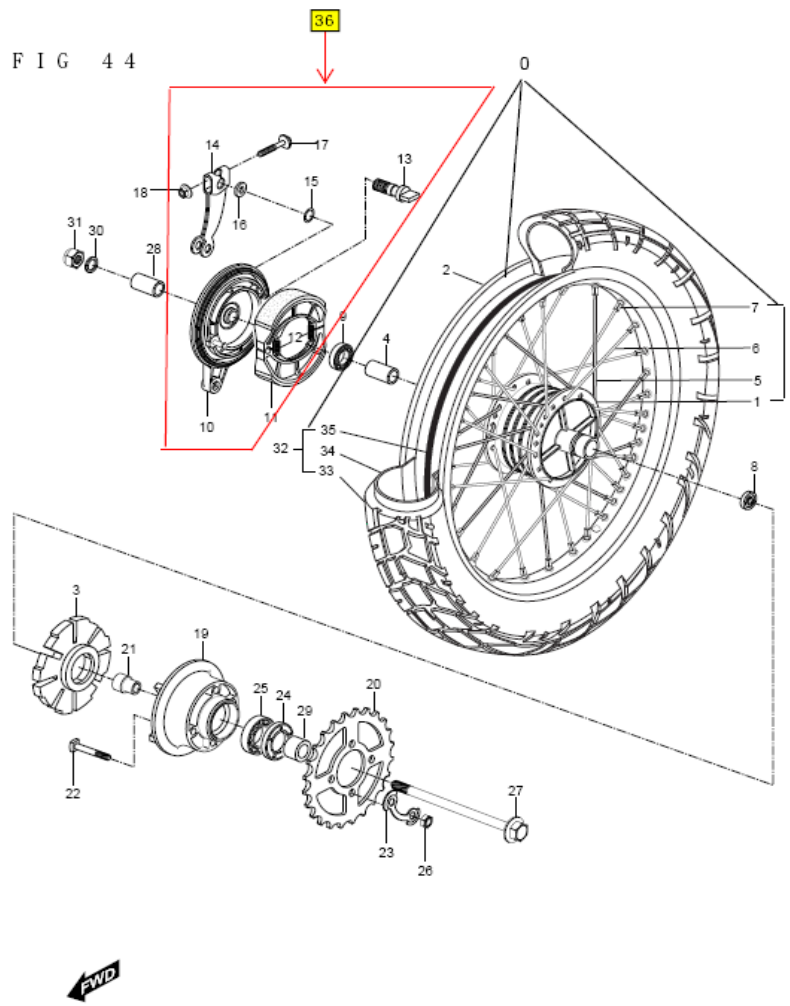


FIG 44. REAR WHEEL

REF.	PARTS NAME	Q'TY
NO. LAT01		(PCS)
31	09159H14008 NUT REAR AXLE	1
32	65101HG5800 TIRE SET,REAR (4.10*18 59P)	1
33	TIRE COMP,REAR (4.10*18 59P)	1
33-1	65100HG5850 TIRE COMP,REAR (4.10*18 59P)	1
33-2	TIRE COMP,REAR (4.10*18 59P)	1
34	65200-11601 TUBE ASS'Y, REAR WHEEL INNER	1
35	65261-14010 PROTECTOR, REAR WHEEL INNER	1
36	64200HG5801 PANEL ASSY REAR BRAKE ANCHOR	1
36~164200HG5802	PANEL ASSY REAR BRAKE ANCHOR KM4PF41A061204549~	1

