

RX125 SM

Euro-3



 **HYOSUNG**

REFERENCE

1.The detailed specifications of each model are referred by the persons who are in charge of overseas marketing team, Hyosung.

2.Special demand

When you order any colored parts including Fuel tank, please add color code to the end of parts number and it will be helpful to register your parts order.

※ Color code



SBK : BLACK



SOE : ORANGE

HYOSUNG MOTORS & MACHINERY INC.

FIG 1

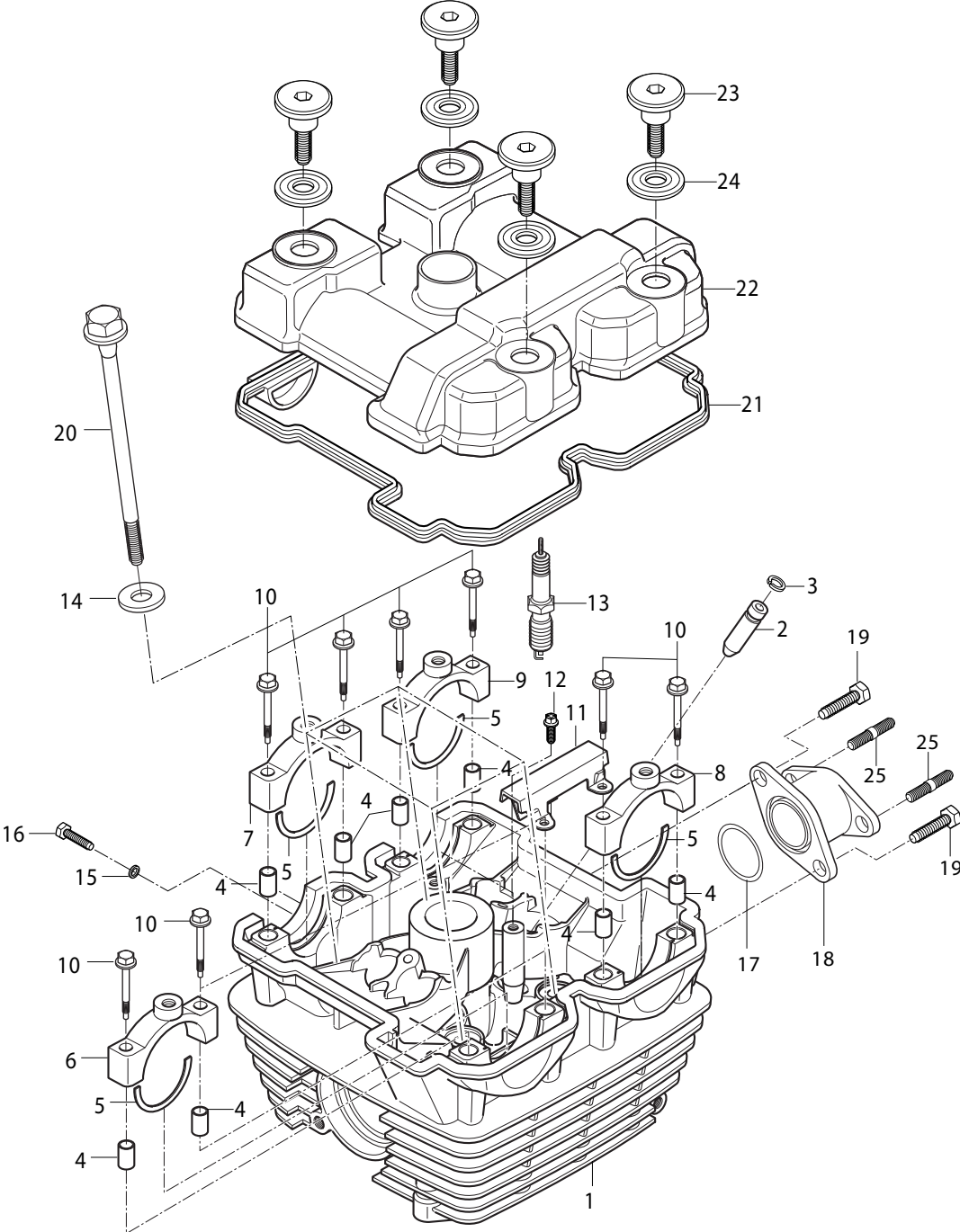


FIG 1. CYLINDER HEAD

REF. NO.	PARTS NO. 7EG01	7EU01/7F01/7G01/7S01/7SA01	7EN01	PARTS NAME	Q'TY	REMARKS	REC.Q'TY (PCS)
1	11100HR7900PCH	11100HR7900PCH	11100HR7900PCH	HEAD COMP. CYLINDER	1		10
2	11115HJ8200	11115HJ8200	11115HJ8200	GUIDE, VALVE	4		
3	09381-10004	09381-10004	09381-10004	SNAP RING, VALVE GUIDE	4		
4	09206-08001	09206-08001	09206-08001	KNOCK PIN, C/SHAFT HOUSING	8		
5	09390-35001	09390-35001	09390-35001	C-RING, CAMSHAFT	4		
6	11121M35C00	11121M35C00	11121M35C00	HOUSING, C/SHAFT No.1	1		
7	11122M35C00	11122M35C00	11122M35C00	HOUSING, C/SHAFT No.2	1		
8	11123M35C00	11123M35C00	11123M35C00	HOUSING, C/SHAFT No.3	1		
9	11124M35C00	11124M35C00	11124M35C00	HOUSING, C/SHAFT No.4	1		
10	09103-06013	09103-06013	09103-06013	BOLT, C/SHAFT HOUSING	8		
11	12782-35C00	12782-35C00	12782-35C00	GUIDE, CAM CHAIN No.2	1		
12	01517-06125	01517-06125	01517-06125	BOLT, OIL GALLERY	2		30
13	09482-00456HAS	09482-00456HAS	09482-00456HAS	SPARK PLUG (CR8E)	1		10
14	09168-08021	09168-08021	09168-08021	GASKET, CYLINDER HEAD BOLT	4		30
15	09168H06009	09168H06009	09168H06009	GASKET, OIL GALLERY PLUG	2		30
16	01517-06125	01517-06125	01517-06125	PLUG, OIL GALLERY	2		
17	09280-36004	09280-36004	09280-36004	O-RING, INTAKE PIPE	1		
18	13110HR7800	13110HR7800	13110HR7800	PIPE COMP, INTAKE	1		10
19	02122-06208	02122-06208	02122-06208	SCREW, INTAKE PIPE	2		
25	09103-08305	09103-08305	09103-08305	BOLT, C/HEAD (L=140)	4		
21	11173-35C00	11173-35C00	11173-35C00	GASKET, C/HEAD COVER No.1	1		30
22	11171-35C0003S	11171-35C0003S	11171-35C0003S	COVER, CYLINDER HEAD	1		10
23	09106-07009	09106-07009	09106-07009	BOLT, C/HEAD COVER (L=5.5)	4		
24	09161-11008	09161-11008	09161-11008	WASHER, C/HEAD COVER	4		
25	01421-06168	01421-06168	01421-06168	STUD BOLT, INTAKE PIPE	2		20

FIG 2

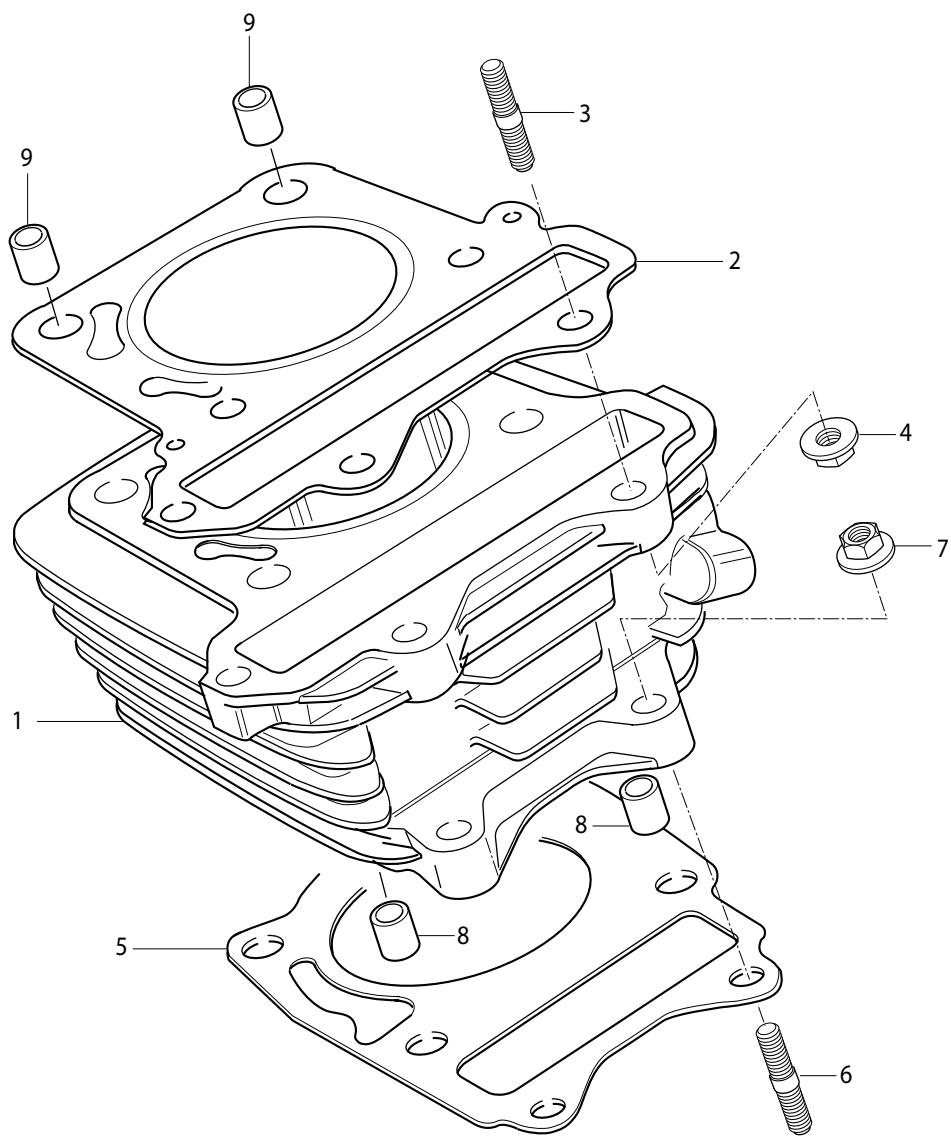


FIG 2. CYLINDER

REF. NO.	PARTS NO. 7EG01	7EU01/7F01/7G01/7S01/7SA01	7EN01	PARTS NAME	Q'TY	REMARKS	REC.Q'TY (PCS)
1	11210HR7900PCY	11210HR7900PCY	11210HR7900PCY	CYLINDER COMP	1		5
2	11141HR7800	11141HR7800	11141HR7800	GASKET, CYLINDER HEAD	1		30
3	01421-06255	01421-06255	01421-06255	STUD BOLT , CYLINDER HEAD	3		10
4	08316-16065	08316-16065	08316-16065	NUT, CYLINDER HEAD	3		
5	11241H35C01	11241H35C01	11241H35C01	GASKET, CYLINER	1		30
6	01421-06255	01421-06255	01421-06255	STUD BOLT , CYLINDER	2		10
7	08316-16065	08316-16065	08316-16065	NUT, CYLINDER	2		
8	04211-11129	04211-11129	04211-11129	KNOCK PIN, CYLINDER	2		
9	04211-11169	04211-11169	04211-11169	KNOCK PIN, CYLINDER HEAD	2		

FIG 3

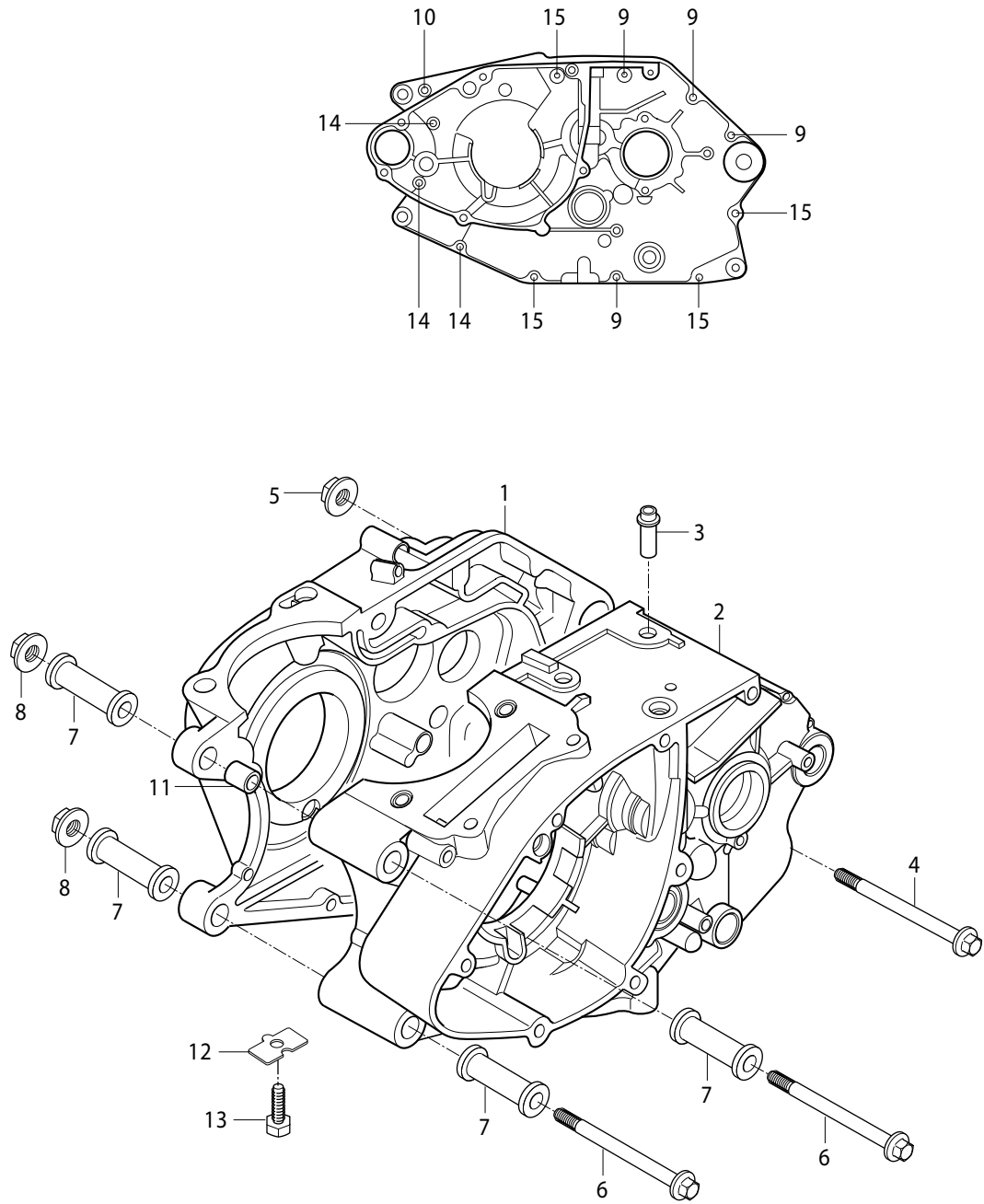


FIG 3. CRANK CASE

REF. NO.	PARTS NO. 7EG01	7EU01/7F01/7G01/7S01/7SA01	7EN01	PARTS NAME	Q'TY	REMARKS	REC.Q'TY (PCS)
1	11310HR7900HPA	11310HR7900HPA	11310HR7900HPA	CRANK CASE, R	1		5
2	11320HR7900HPA	11320HR7900HPA	11320HR7900HPA	CRANK CASE, L	1		5
3	09364-12001	09364-12001	09364-12001	UNION, BREATHER HOSE	1		
4	09103-08072	09103-08072	09103-08072	BOLT, ENG MOUNTING REAR	1		
5	08319-31088	08319-31088	08319-31088	NUT, ENG MOUNTING	1		
6	09103-08081	09103-08081	09103-08081	BOLT, ENG MOUNTING FRONT	2		
7	11610-29B00	11610-29B00	11610-29B00	SPACER, ENG MOUNTING No.1	4		
8	08319-31088	08319-31088	08319-31088	NUT, ENG MOUNTING	2		
9	01547-06758	01547-06758	01547-06758	BOLT, CRANK CASE	4		
10	01547-06808	01547-06808	01547-06808	BOLT, CRANK CASE	1		
11	04213-13189	04213-13189	04213-13189	PIN, CRANK CASE	2		
12	11319-05200	11319-05200	11319-05200	PLATE, OIL GALLELY PLUG	1		
13	01904-06108	01904-06108	01904-06108	BOLT, OIL GALLEY PLUG PLATE	1		
14	01547-06558	01547-06558	01547-06558	BOLT, CRANK CASE	3		
15	01547-06608	01547-06608	01547-06608	BOLT, CRANK CASE	4		

FIG 4

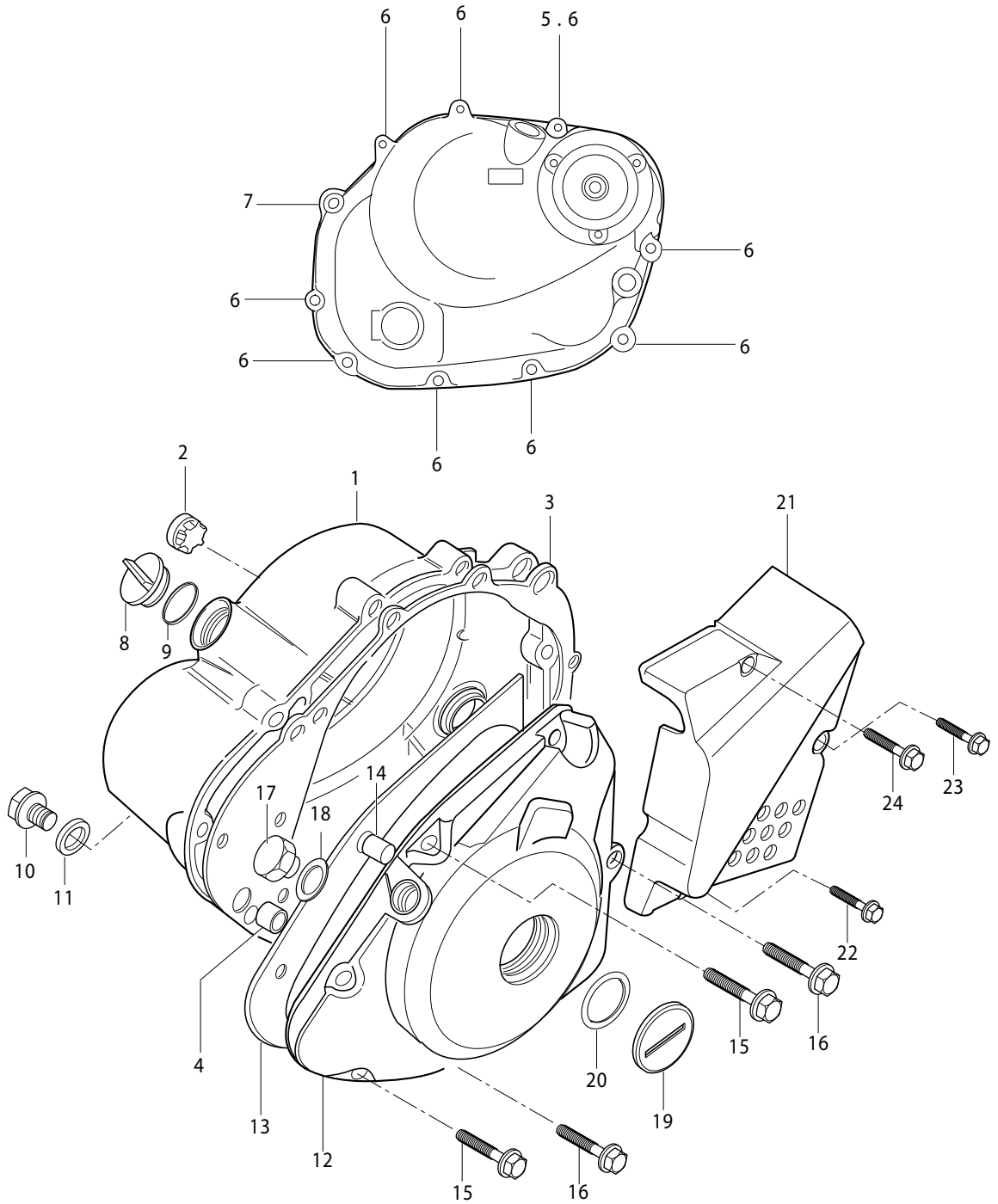


FIG 4. CRANKCASE COVER

REF. NO.	PARTS NO. 7EG01	7EU01/7F01/7G01/7S01/7SA01	7EN01	PARTS NAME	Q'TY	REMARKS	REC.Q'TY (PCS)
1	11340-35C0003S	11340-35C0003S	11340-35C0003S	COVER COMP, CLUTCH	1		5
2	11971-45010	11971-45010	11971-45010	LENS, OIL LEVER CHECK	1		
3	11482H35C01	11482H35C01	11482H35C01	GASKET, CLUTCH COVER	1		10
4	04211-13189	04211-13189	04211-13189	PIN, CLUTCH COVER	2		
5	09168H06009	09168H06009	09168H06009	GASKET, C/COVER BOLT	1		10
6	01547-06308	01547-06308	01547-06308	BOLT, CLUTCH COVER	9		
7	01547-06458	01547-06458	01547-06458	BOLT, CLUTCH COVER	1		
8	09259-20012	09259-20012	09259-20012	PLUG, ENGINE OIL FILLER	1		
9	09280-17003	09280-17003	09280-17003	O-RING, OIL FILLER PLUG	1		
10	09247-14026	09247-14026	09247-14026	PLUG, OIL CHECK	1		10
11	09168-14002	09168-14002	09168-14002	GASKET, OIL CHECK PLUG	1		10
12	11351-35C0003S	11351-35C0003S	11351-35C0003S	COVER, MAGNETO	1		5
13	11483-05301	11483-05301	11483-05301	GASKET, MAGNETO COVER	1		10
14	04211-09129	04211-09129	04211-09129	PIN, MAGNETO COVER	1		
15	01547-06258	01547-06258	01547-06258	BOLT, MAGNETO COVER	1		20
16	01547-06358	01547-06358	01547-06358	BOLT, MAGNETO COVER	1		20
17	9247-12103	9247-12103	9247-12103	PLUG, TDC	1		
18	09168-12002	09168-12002	09168-12002	GASKET, TDC PLIG	1		
19	09259-26006	09259-26006	09259-26006	PLUG, C/SHAFT HOLE	1		
20	09280-22008	09280-22008	09280-22008	O-RING, C/SHAFT HOLE PLUG	1		
21	11361HR790003S	11361HR790003S	11361HR790003S	COVER, ENGINE SPOROCKET	1		
22	01547-06258	01547-06258	01547-06258	BOLT, ENG SPROCKET COVER	1		10
23	01547-06458	01547-06458	01547-06458	BOLT, ENG SPROCKET COVER	1		10
24	01547-06608	01547-06608	01547-06608	BOLT, ENG SPROCKET COVER	1		10

FIG 5

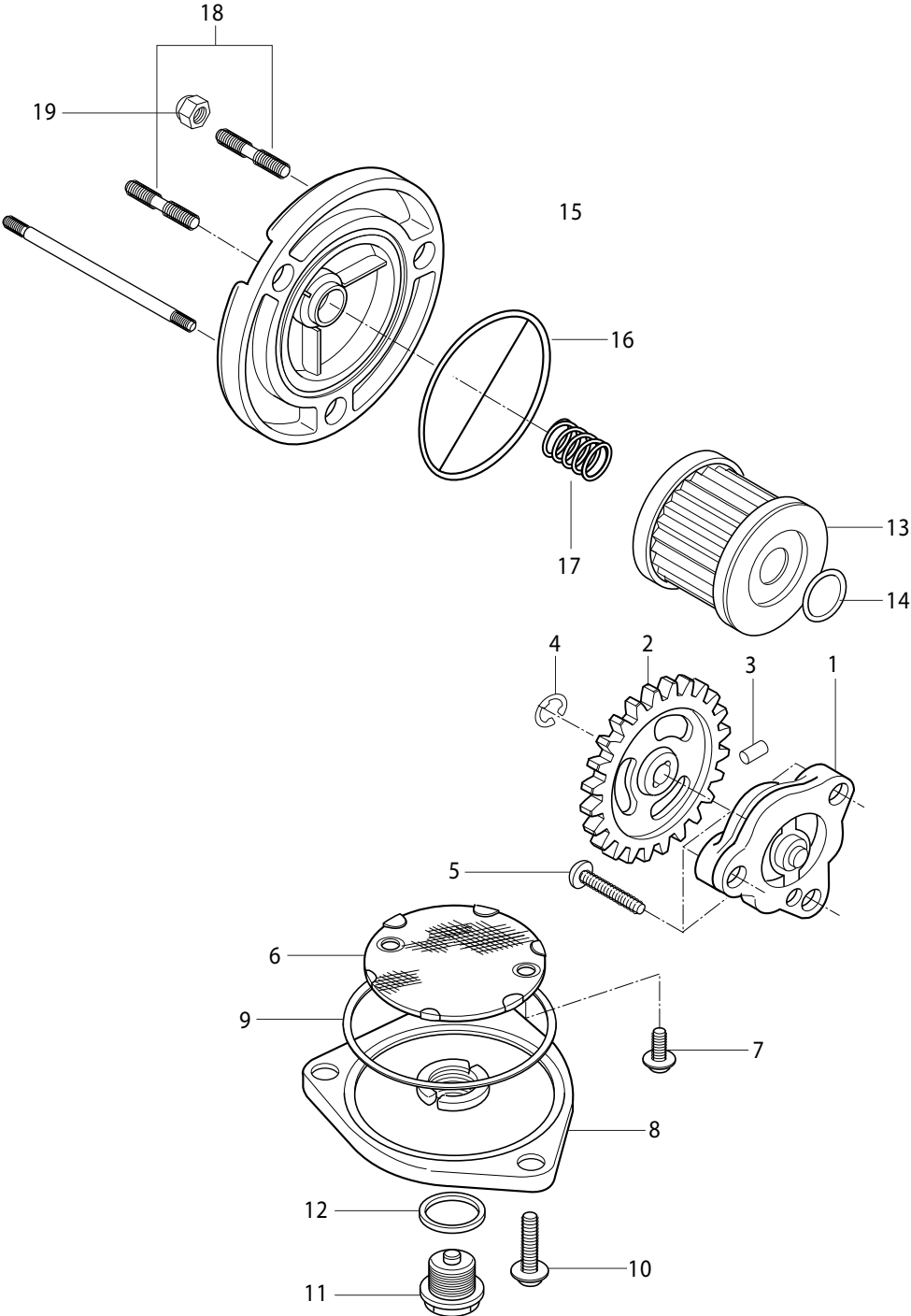


FIG 5. OIL PUMP

REF. NO.	PARTS NO. 7EG01	7EU01/7F01/7G01/7S01/7SA01	7EN01	PARTS NAME	Q'TY	REMARKS	REC.Q'TY (PCS)
1	16400-42A01	16400-42A01	16400-42A01	PUMP ASS'Y OIL	1		5
2	16331H93B00	16331H93B00	16331H93B00	GEAR, OIL PUMP DRIVEN	1		10
3	09261-02008	09261-02008	09261-02008	PIN, OIL PUMP DRIVEN GEAR	1		
4	08332-11069	08332-11069	08332-11069	CIRCLIP, OIL PUMP D/N GEAR	1		
5	02112-06258	02112-06258	02112-06258	SCREW, OIL PUMP	3		
6	16520-05202	16520-05202	16520-05202	STRAINER, COMP, ENG OIL	1		5
7	02112-95126	02112-95126	02112-95126	SCREW, ENG OIL STRAINER	2		10
8	16523-05200	16523-05200	16523-05200	CAP, OIL STRAINER	1		
9	09280-60005	09280-60005	09280-60005	O-RING, OIL STRAINER CAP	1		
10	01547-06208	01547-06208	01547-06208	BOLT, OIL STRAINER CAP	3		
11	09247-14002	09247-14002	09247-14002	PLUG, OIL DRAIN	1		
12	09168-14002	09168-14002	09168-14002	GASKET, DRAIN PLUG(NA)	1		
13	16510-05240HAS	16510-05240HAS	16510-05240HAS	FILTER COMP, ENGINE OIL	1		50
14	09280-13004	09280-13004	09280-13004	O-RING, OIL FILTER	1		
15	16512-0521303S	16512-0521303S	16512-0521303S	CAP, OIL FILTER	1		
16	09280-54001	09280-54001	09280-54001	O-RING, OIL FILTER CAP	1		
17	09440-18002	09440-18002	09440-18002	SPRING, OIL FILTER CAP	1		
18	01421-06128	01421-06128	01421-06128	STUD BOLT, OIL FILTER CAP	2		
19	08313-11068	08313-11068	08313-11068	NUT, OIL FILTER CAP	3		
20	01421-06858	01421-06858	01421-06858	STUD BOLT, OIL FILTER CAP	1		

FIG 6

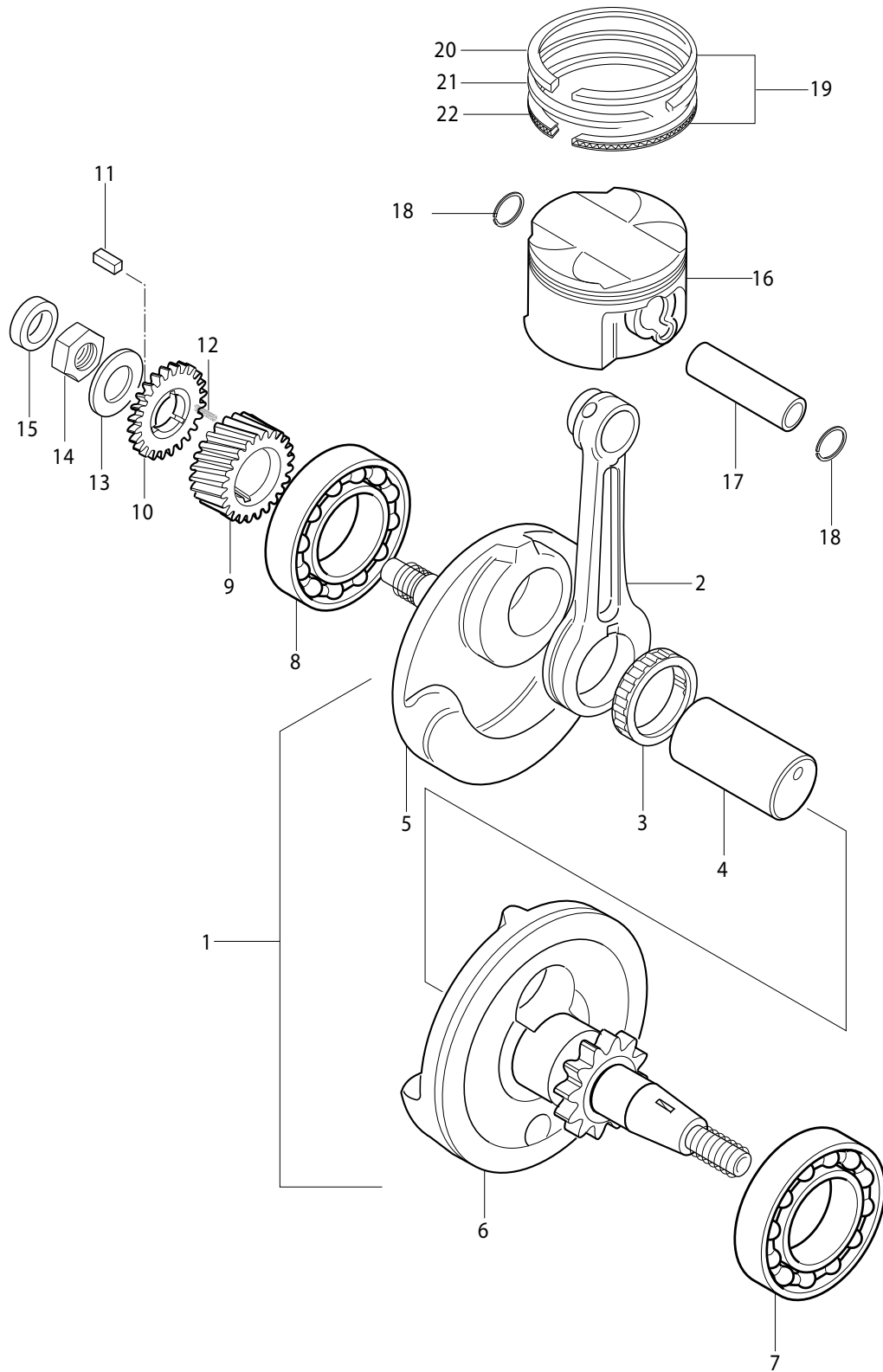


FIG 6. CRANK SHAFT

REF. NO.	PARTS NO. 7EG01	7EU01/7F01/7G01/7S01/7SA01	7EN01	PARTS NAME	Q'TY	REMARKS	REC.Q'TY (PCS)
1	12200H35C00HPA	12200H35C00HPA	12200H35C00HPA	CRANK SHAFT ASS'Y	1		5
2	12161HJ8200	12161HJ8200	12161HJ8200	ROD, CONNECTING	1		
3	09263H30003	09263H30003	09263H30003	BEARING, CRANK PIN	1		
4	12211HF4600	12211HF4600	12211HF4600	PIN, CRANK	1		20
5	12261H35C02CSA	12261H35C02CSA	12261H35C02CSA	CRANK SHAFT L	1		
6	12221HF4600CSA	12221HF4600CSA	12221HF4600CSA	CRANK SHAFT R	1		
7	09262-28003	09262-28003	09262-28003	BEARING, CRANK SHAFT R	1		5
8	09262-35026	09262-35026	09262-35026	BEARING, CRANK SHAFT L	1		5
9	21111-35C00	21111-35C00	21111-35C00	GEAR, PRIMARY DRIVE	1		
10	21112-35C00	21112-35C00	21112-35C00	GEAR, PRIMARY DRIVE No.2	1		
11	09421-04004	09421-04004	09421-04004	KEY, PRIMARY DRIVE GEAR	1		
12	21114-35C00	21114-35C00	21114-35C00	SPRING, P/DRIVE GEAR	3		
13	09166-16012	09166-16012	09166-16012	WASHER, P/DRIVE GEAR	1		
14	09140-16019	09140-16019	09140-16019	NUT, P/DRIVE GEAR	1		
15	09282-12001	09282-12001	09282-12001	OIL SEAL, CRANK SHAFT R	1		
16	12111-16E00PPS	12111-16E00PPS	12111-16E00PPS	PISTON	1		
17	12151-30B00	12151-30B00	12151-30B00	PIN, PISTON	1		
18	09381-15001	09381-15001	09381-15001	CIRCLIP	2		
19	12140-16E00	12140-16E00	12140-16E00	RING SET, PISTON	1		30
20	12141-16E00	12141-16E00	12141-16E00	RING , PISTON 1ST	1		
21	12142-16E00	12142-16E00	12142-16E00	RING, PISTON 2ND	1		
22	12144-16E00	12144-16E00	12144-16E00	RING, PISTON OIL	1		

FIG 7

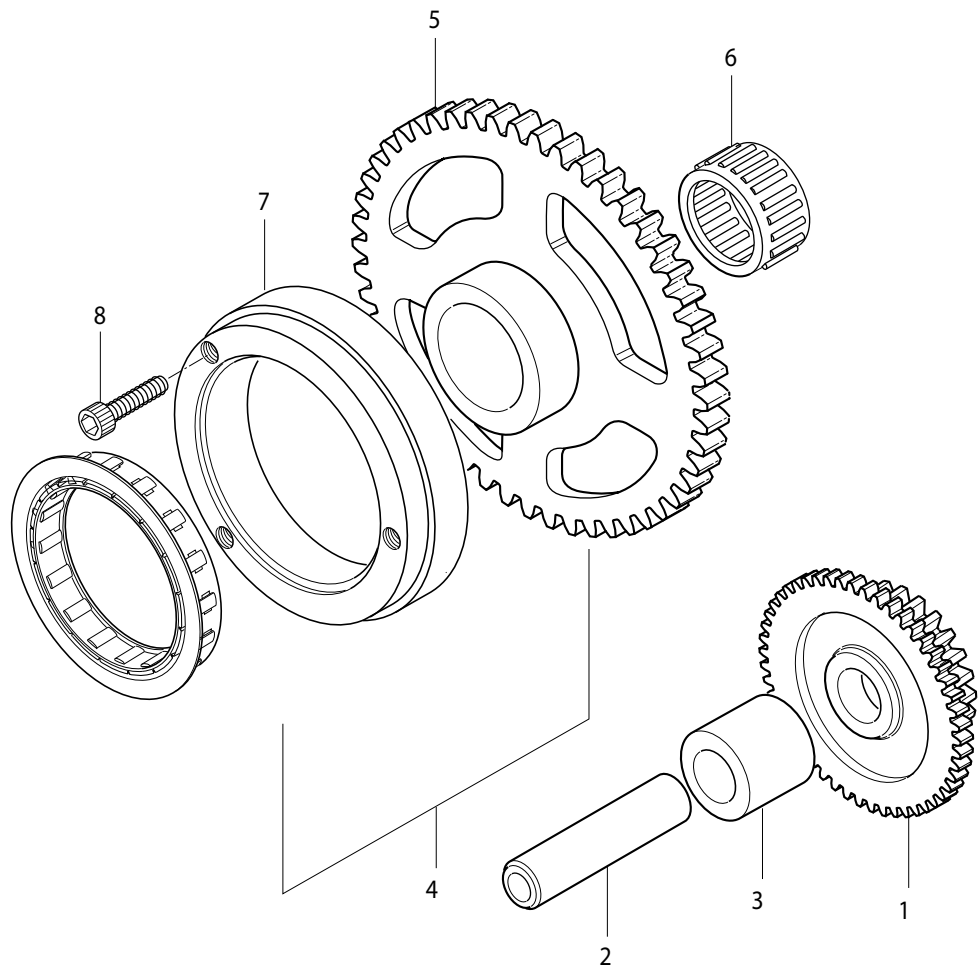


FIG 7. STARTER CLUTCH

REF. NO.	PARTS NO. 7EG01	7EU01/7F01/7G01/7S01/7SA01	7EN01	PARTS NAME	Q'TY	REMARKS	REC.Q'TY (PCS)
1	12611-04B00	12611-04B00	12611-04B00	GEAR, STARTER IDLE	1		10
2	09206-13003	09206-13003	09206-13003	PIN, STARTER IDLE GEAR	1		
3	09180-13006	09180-13006	09180-13006	SPACER, STARTER IDLE GEAR	1		
4	12600-35C00	12600-35C00	12600-35C00	CLUTCH SET, STARTER	1		
5	12620-42A01	12620-42A01	12620-42A01	GEAR COMP, STARTER CLUTCH	1		10
6	09263-22031	09263-22031	09263-22031	BEARING, S/CLUTCH GEAR	1		
7	12614-02C00	12614-02C00	12614-02C00	CLUTCH, STARTER CLUTCH	1		
8	07110-08168	07110-08168	07110-08168	BOLT, STARTER CLUTCH	3		

FIG 8

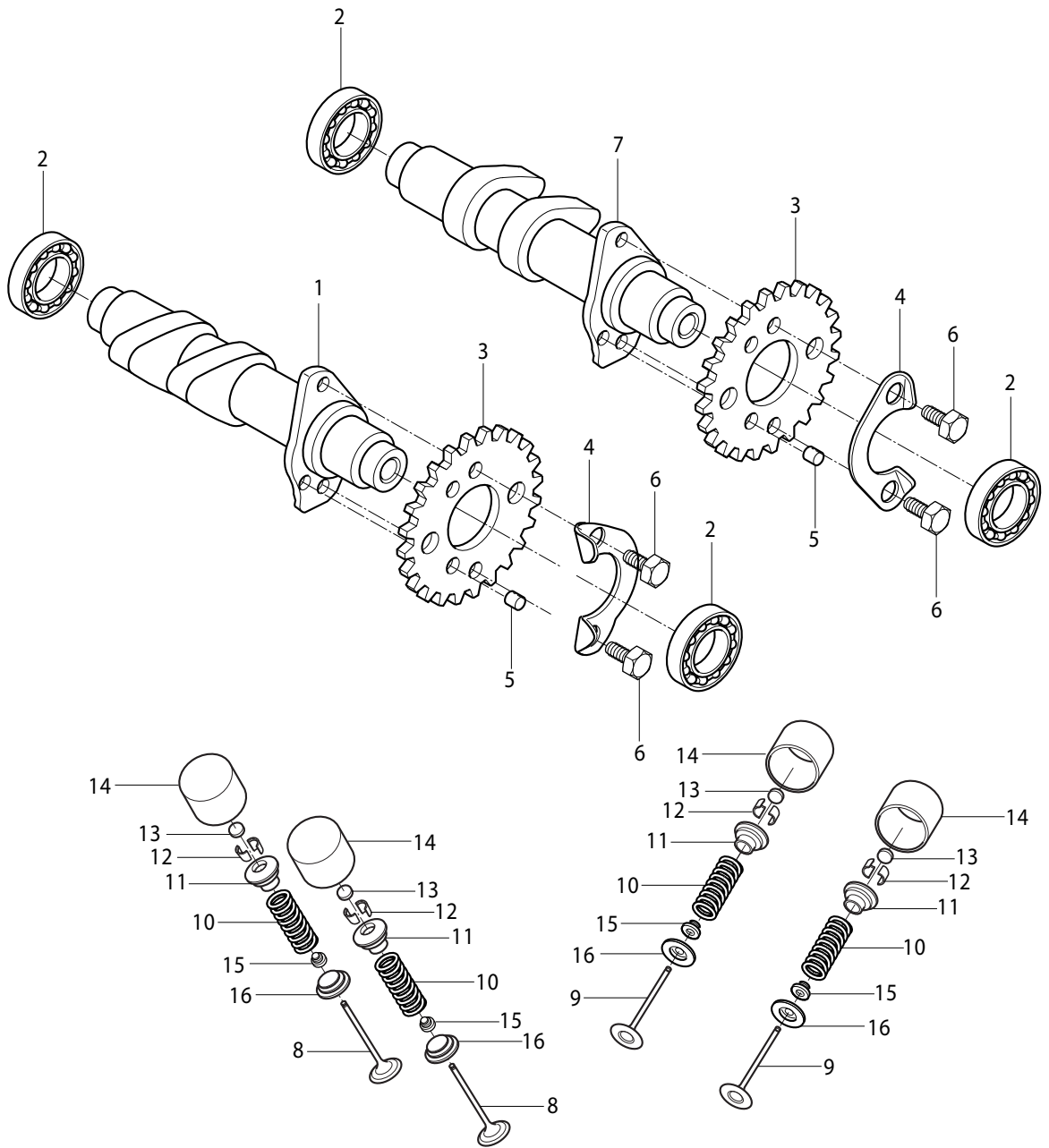


FIG 8. CAM SHAFT

REF. NO.	PARTS NO. 7EG01	7EU01/7F01/7G01/7S01/7SA01	7EN01	PARTS NAME	Q'TY	REMARKS	REC.Q'TY (PCS)
1	12711-35C00888	12711-35C00888	12711-35C00888	CAMSHAFT, INTAKE	1		
1-A	12711S35C00HPA	12711S35C00HPA	12711S35C00HPA	CAMSHAFT, INTAKE SET	1		10
2	09262-17019	09262-17019	09262-17019	BEARING, CAMSHAFT	4		10
3	12741H16E00	12741H16E00	12741H16E00	SPROCKET, CAMSHAFT	2		
4	12747-44B00	12747-44B00	12747-44B00	WASHER, SPROCKET	2		
5	09261-05005	09261-05005	09261-05005	PIN, SPROCKET KNOCK	2		
6	09111-06032	09111-06032	09111-06032	BOLT, SPROCKET	4		
7	12721-35C00888	12721-35C00888	12721-35C00888	CAM SHAFT, EXHAUST	1		
7-A	12721S35C00HPA	12721S35C00HPA	12721S35C00HPA	CAM SHAFT, EXHAUST SET	1		10
8	12911HJ8200	12911HJ8200	12911HJ8200	VALVE , INTAKE	2		
9	12912HJ8200	12912HJ8200	12912HJ8200	VALVE , EXHAUST	2		
10	12921HJ8200	12921HJ8200	12921HJ8200	SPRING, VALVE	4		
11	12931HJ8200	12931HJ8200	12931HJ8200	RETAINER, VALVE SPRING	4		
12	12932HJ8200	12932HJ8200	12932HJ8200	COTTER, VALVE	8		
13-1	12892-05C00-160	12892-05C00-160	12892-05C00-160	SHIM, TAPPET	4		20
13-2	12892-05C00-165	12892-05C00-165	12892-05C00-165	SHIM, TAPPET	4		20
13-3	12892-05C00-170	12892-05C00-170	12892-05C00-170	SHIM, TAPPET	4		20
13-4	12892-05C00-175	12892-05C00-175	12892-05C00-175	SHIM, TAPPET	4		20
13-5	12892-05C00-180	12892-05C00-180	12892-05C00-180	SHIM, TAPPET	4		20
13-6	12892-05C00-185	12892-05C00-185	12892-05C00-185	SHIM, TAPPET	4		20
13-7	12892-05C00-190	12892-05C00-190	12892-05C00-190	SHIM, TAPPET	4		20
13-8	12892-05C00-195	12892-05C00-195	12892-05C00-195	SHIM, TAPPET	4		20
14	12891-16E00	12891-16E00	12891-16E00	TAPPET	4		
15	09289-04002	09289-04002	09289-04002	OIL SEAL, VALVE	4		
16	12933HJ8200	12933HJ8200	12933HJ8200	SEAT, VALVE SPRING	4		

FIG 9

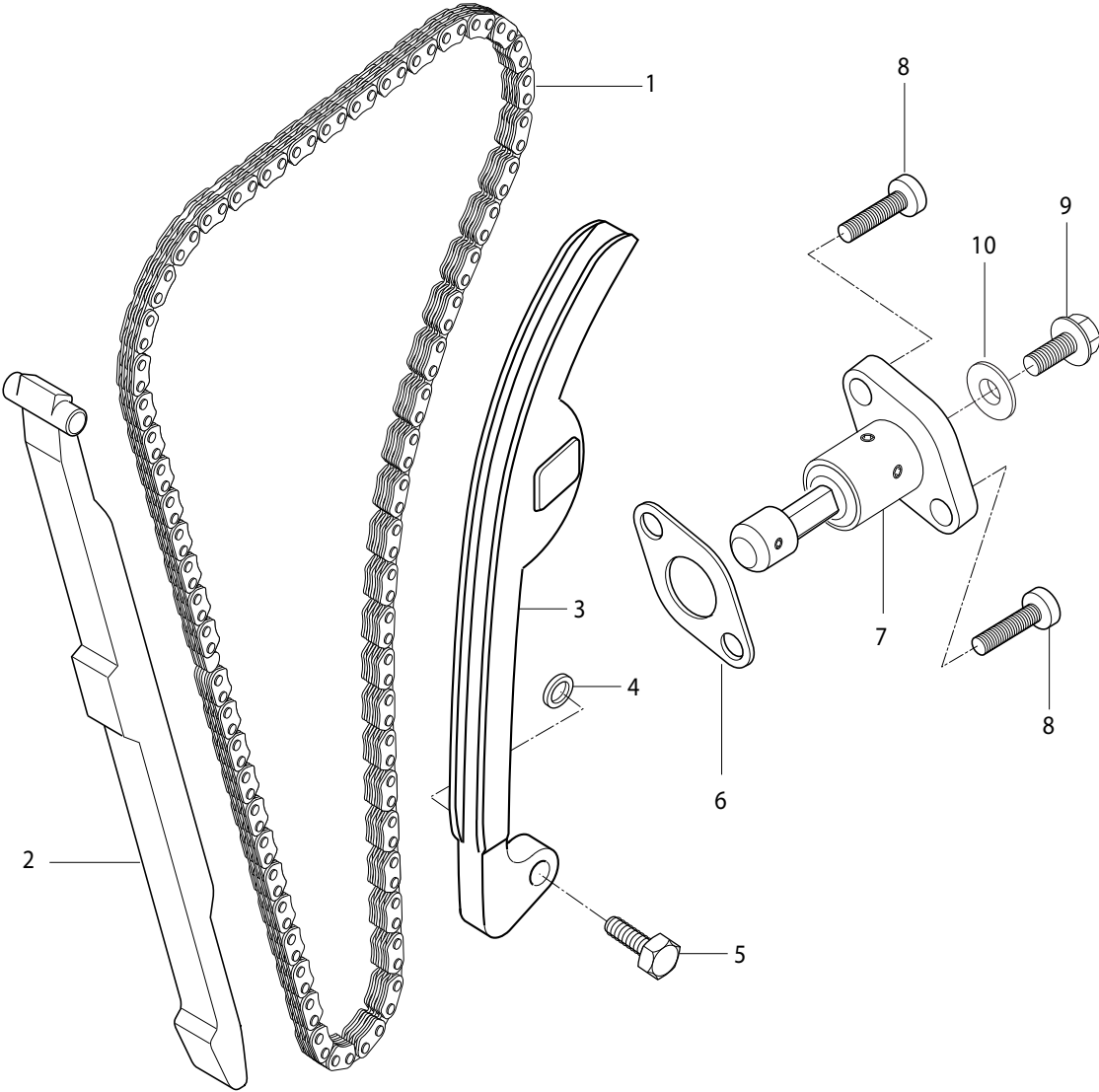


FIG 9.CAM CHAIN

REF. NO.	PARTS NO. 7EG01	7EU01/7F01/7G01/7S01/7SA01	7EN01	PARTS NAME	Q'TY	REMARKS	REC.Q'TY (PCS)
1	12760-16E00	12760-16E00	12760-16E00	CHAIN, CAMSHAFT DRIVE	1		5
2	12771-16E00	12771-16E00	12771-16E00	GUIDE, CAM CHAIN No.1	1		
3	12782-35C00	12782-35C00	12782-35C00	GUIDE, CAM CHAIN No.2	1		
4	08211-06181	08211-06181	08211-06181	WASHER	1		
5	12812H35C00	12812H35C00	12812H35C00	BOLT, C/CHAIN TENSIONER	1		
6	12837HP7600	12837HP7600	12837HP7600	GASKET, TENSIONER ADJUSTER	1		20
7	12830HR6500	12830HR6500	12830HR6500	ADJUSTER ASS'Y, TENSIONER	1		10
8	07110-06208	07110-06208	07110-06208	BOLT, TENSIONER ADJUSTER	2		
9	12839HP7600	12839HP7600	12839HP7600	SCREW, ADJUSTER	1		
10	12838HP7600	12838HP7600	12838HP7600	O-RING, ADJUSTER	1		

FIG 10

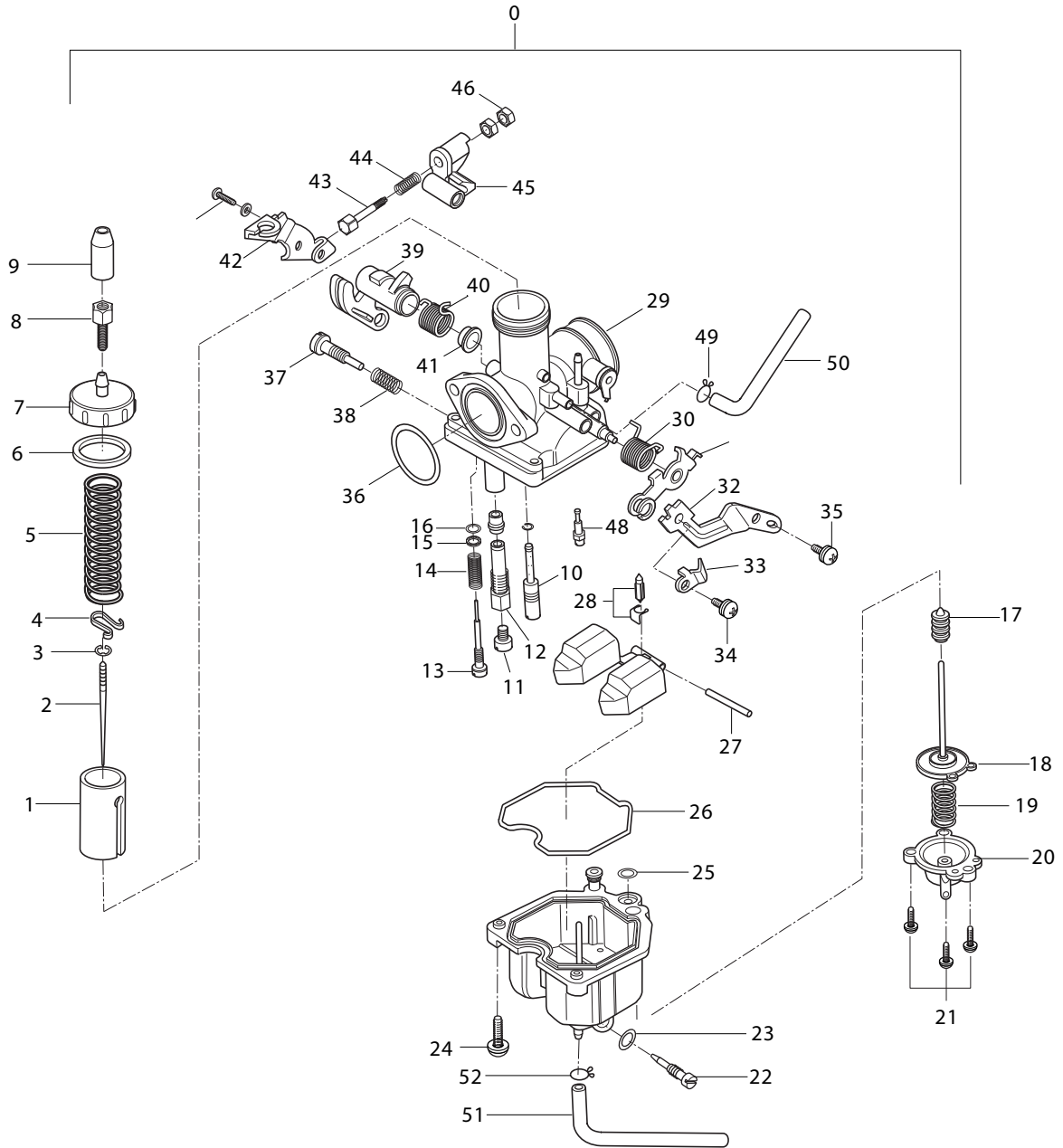


FIG 10-1. CABURETOR ASS'Y

REF. NO.	PARTS NO. 7EG01	7EU01/7F01/7G01/7S01/7SA01	7EN01	PARTS NAME	Q'TY	REMARKS	REC.Q'TY (PCS)
0	13200HR7900	13200HR7900	13200HR7900	CARBURETOR ASSY	1		5
1	13511H93B00	13511H93B00	13511H93B00	VALVE, thorttle	1	NOT SALE	
2	13383H93B00	13383H93B00	13383H93B00	. NEEDLE, jet	1	NOT SALE	
3	13533H93B00	13533H93B00	13533H93B00	. E-RING, thorttle valve	1	NOT SALE	
4	13581H93B00	13581H93B00	13581H93B00	. CLIP	1	NOT SALE	
5	13573H93B00	13573H93B00	13573H93B00	. SPRING, thorttle valve	1	NOT SALE	
6	13249H93B00	13249H93B00	13249H93B00	. GASKET, top cover	1	NOT SALE	
7	13261H93B00	13261H93B00	13261H93B00	. COVER, top	1	NOT SALE	
8	13577H93B00	13577H93B00	13577H93B00	. ADJUSTER, thorttle cable	1	NOT SALE	
9	13681H93B00	13681H93B00	13681H93B00	. CAP, carburetor top	1	NOT SALE	
10	09492H40001	09492H40001	09492H40001	. JET, pilot	1	NOT SALE	
11	09494H93B00	09494H93B00	09494H93B00	. JET, main	1	NOT SALE	
12	09491H95001	09491H95001	09491H95001	. JET, needle	1	NOT SALE	
13	13279H93B00	13279H93B00	13279H93B00	. SCREW, pilot	1	NOT SALE	
14	13268H93B00	13268H93B00	13268H93B00	. SPRING, pilot screw	1	NOT SALE	
15	13291H93B00	13291H93B00	13291H93B00	. WASHER	1	NOT SALE	
16	13295H93B00	13295H93B00	13295H93B00	. O-RING	1	NOT SALE	
17	13455H93B00	13455H93B00	13455H93B00	. CAP, sealing	1	NOT SALE	
18	13460H93B00	13460H93B00	13460H93B00	. DIAPHRAGM COMP, pump	1	NOT SALE	
19	13452H93B00	13452H93B00	13452H93B00	. SPRING, pump diaphragm	1	NOT SALE	
20	13450H93B00	13450H93B00	13450H93B00	. COVER COMP, pump	1	NOT SALE	
21	02112-44126	02112-44126	02112-44126	. SCREW(M44x12)	3	NOT SALE	
22	13247H93B00	13247H93B00	13247H93B00	. SCREW, drain	1	NOT SALE	
23	13278H93B00	13278H93B00	13278H93B00	. O-RING, drain screw	1	NOT SALE	
24	02112-44166	02112-44166	02112-44166	. SCREW(M44x16)	3	NOT SALE	
25	13297H93B00	13297H93B00	13297H93B00	. O-RING	1	NOT SALE	
26	13258H93B00	13258H93B00	13258H93B00	. GASKET, float chamber	1	NOT SALE	
27	13250H93B00	13250H93B00	13250H93B00	. FLOAT COMP	1	NOT SALE	
28	13370H93B00	13370H93B00	13370H93B00	. VALVE ASSY, needle	1	NOT SALE	
29	13410H93B00	13410H93B00	13410H93B00	. SHAFT ASSY, choke	1	NOT SALE	

FIG 10

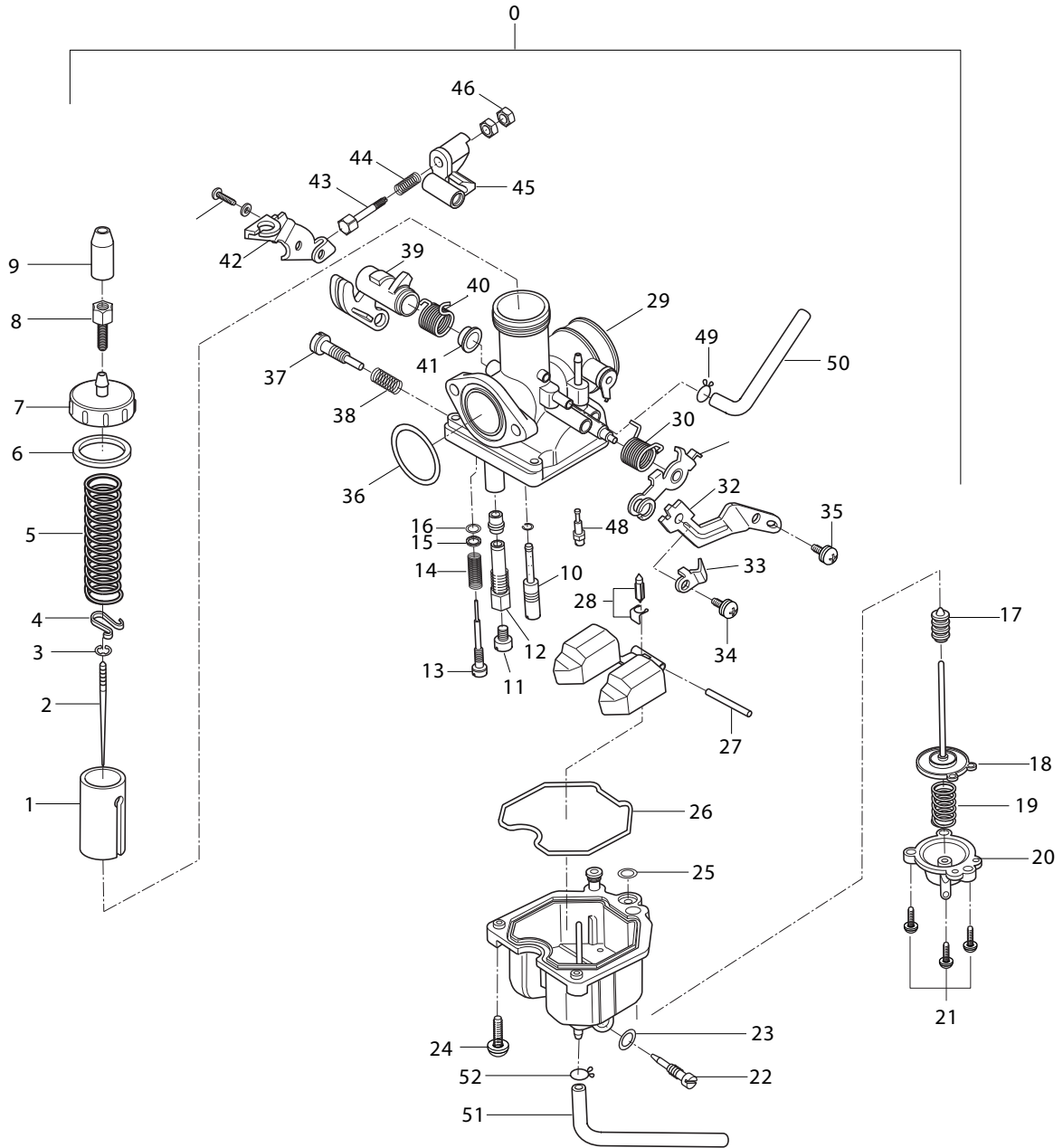
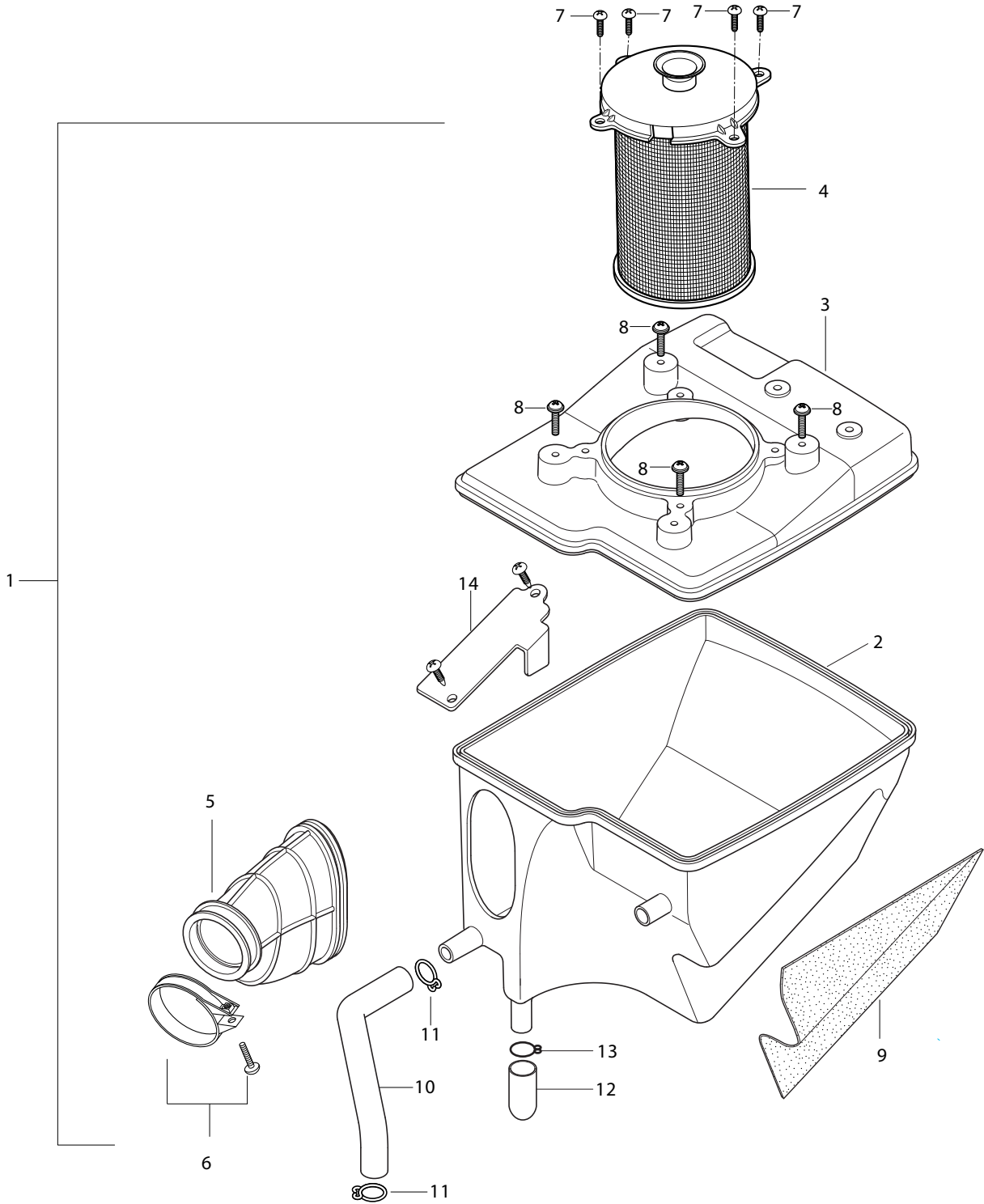


FIG 10-2. CABURETOR ASS'Y

REF. NO.	PARTS NO. 7EG01	7EU01/7F01/7G01/7S01/7SA01	7EN01	PARTS NAME	Q'TY	REMARKS	REC.Q'TY (PCS)
30	13472HF4601	13472HF4601	13472HF4601	. SPRING	1	NOT SALE	
31	13411H93B00	13411H93B00	13411H93B00	. LEVER, choke	1	NOT SALE	
32	13413H93B00	13413H93B00	13413H93B00	. STAY, choke wire	1	NOT SALE	
33	13415H93B00	13415H93B00	13415H93B00	. PLATE, stay	1	NOT SALE	
34	02112-45126	02112-45126	02112-45126	. SCREW, stay plate(M45x12)	1	NOT SALE	
35	02112-44086	02112-44086	02112-44086	. SCREW, choke wire stay(M44x8)	1	NOT SALE	
36	13277H93B00	13277H93B00	13277H93B00	. O-RING	1	NOT SALE	
37	13267H93B00	13267H93B00	13267H93B00	. ADJUSTER, thorttle valve stop	1	NOT SALE	
38	13268H93B00	13268H93B00	13268H93B00	. SPRING, thorttle stop	1	NOT SALE	
39	13441H93B00	13441H93B00	13441H93B00	. PUMP, ARM-B	1	NOT SALE	
40	13443H93B00	13443H93B00	13443H93B00	. SPRING, pump arm-b	1	NOT SALE	
41	13442H93B00	13442H93B00	13442H93B00	. GUIDE, pump arm-b spring	1	NOT SALE	
42	13449H93B00	13449H93B00	13449H93B00	. STAY PLATE, pump arm	1	NOT SALE	
43	13447H93B00	13447H93B00	13447H93B00	. ADJUSTER, pump	1	NOT SALE	
44	13446H93B00	13446H93B00	13446H93B00	. SPRING, pump arm-a	1	NOT SALE	
45	13445H93B00	13445H93B00	13445H93B00	. PUMP, ARM-A	1	NOT SALE	
46	08310-31046	08310-31046	08310-31046	. NUT, pump adjuster(M31)	1	NOT SALE	
47	02112-45146	02112-45146	02112-45146	. SCREW, pump arm stay plate(M45x14)	1	NOT SALE	
48	13448H93B00	13448H93B00	13448H93B00	. NOZZLE, pump	1	NOT SALE	
49	09401 - 08401	09401 - 08401	09401 - 08401	. CLIP	1	NOT SALE	
50	13684H93B00	13684H93B00	13684H93B00	. HOSE	1	NOT SALE	
51	13683H93B00	13683H93B00	13683H93B00	. HOSE	1	NOT SALE	
52	09401-08401	09401-08401	09401-08401	. CLIP	1	NOT SALE	

FIG.11



FWD

FIG 11. AIR CLEANER

REF. NO.	PARTS NO. 7EG01	7EU01/7F01/7G01/7S01/7SA01	7EN01	PARTS NAME	Q'TY	REMARKS	REC.Q'TY (PCS)
1	13700HR7900	13700HR7900	13700HR7900	CLEANER ASSY, air	1		5
2	13720HR7901	13720HR7901	13720HR7901	CASE COMP, air cleaner	1	NOT SALE	
3	13740HR7901	13740HR7901	13740HR7901	CAP COMP, air cleaner	1	NOT SALE	
4	13780-35C00	13780-35C00	13780-35C00	FILTER COMP, air cleaner	1		40
5	13881HR7900	13881HR7900	13881HR7900	TUBE, outlet	1		
6	09402-44207	09402-44207	09402-44207	CLAMP, outlet tibe carburet	1		
7	02142-05103	02142-05103	02142-05103	BOLT, air cleaner filter	4		
8	02142-15125	02142-15125	02142-15125	BOLT, air cleaner	4		
9	1373HG5800	1373HG5800	1373HG5800	HEAD SHIELD, air cleaner	1		
10	18651HP7600	18651HP7600	18651HP7600	HOSE, breather oil return	1		
11	09401H14401	09401H14401	09401H14401	CLAMP, breather oil return hose	2		
12	13870-11124	13870-11124	13870-11124	TUBE COMP, drain	1		
13	09401-14301	09401-14301	09401-14301	CLIP, prain tube	1		

FIG.12

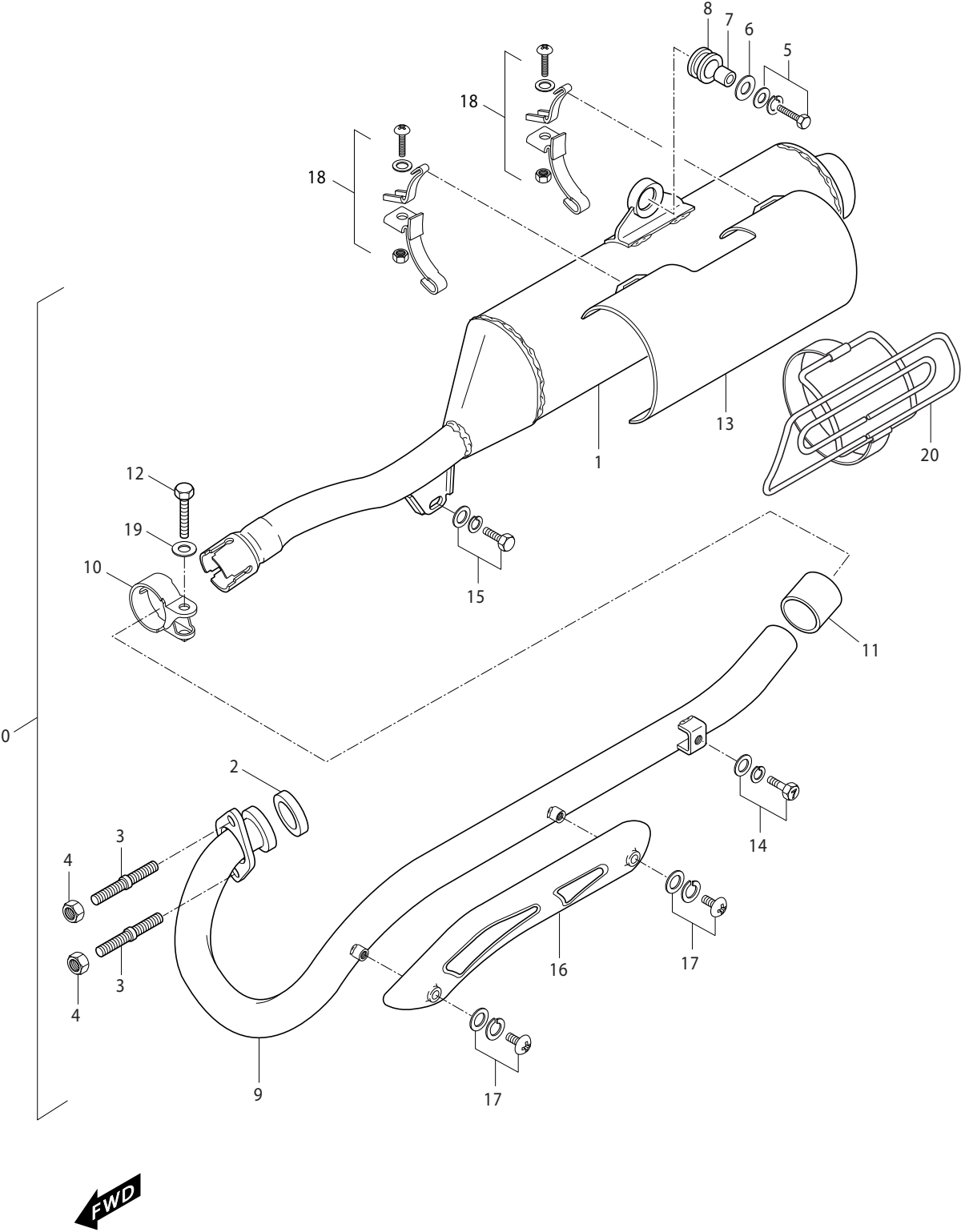
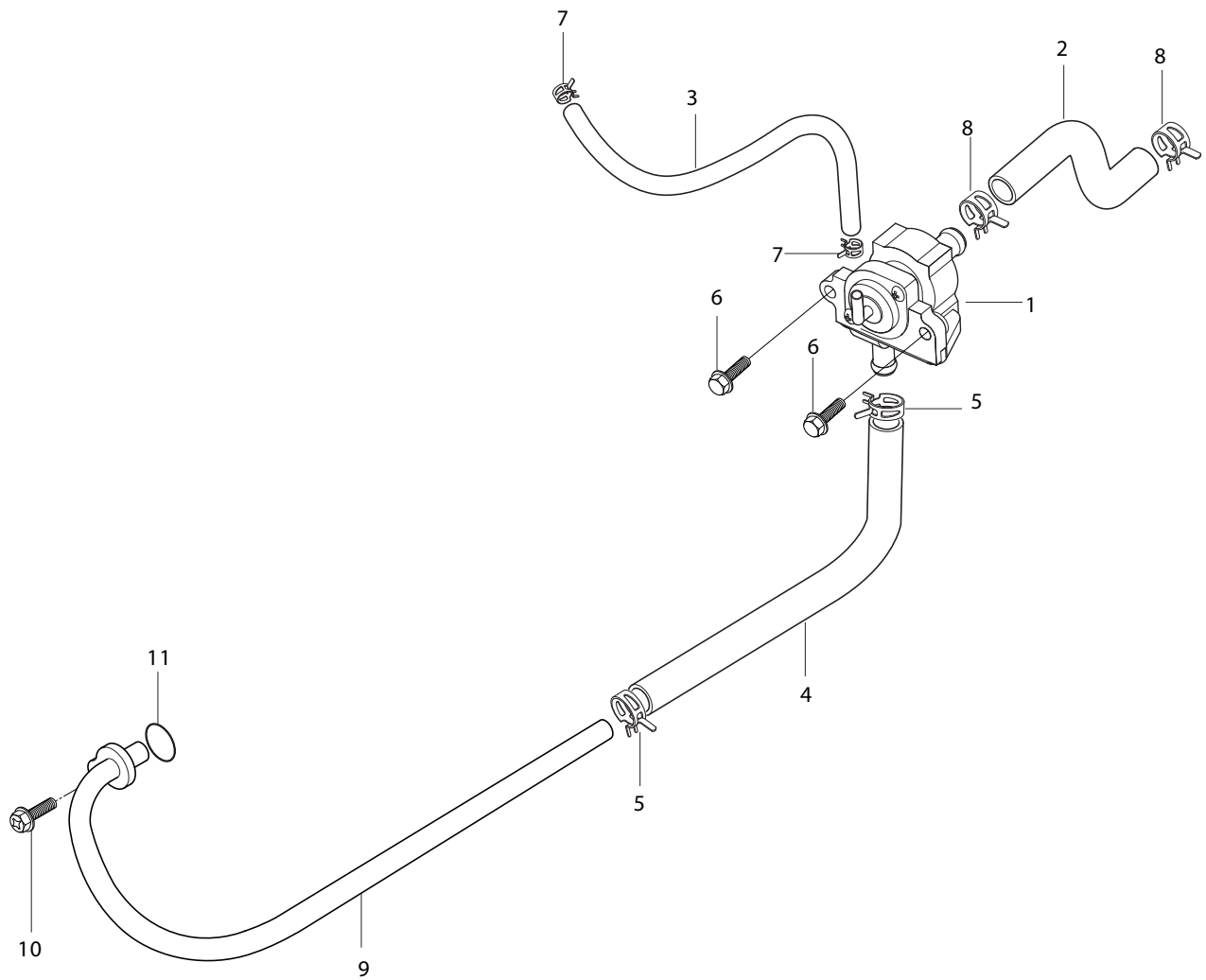


FIG 12. MUFFLER

REF. NO.	PARTS NO. 7EG01	7EU01/7F01/7G01/7S01/7SA01	7EN01	PARTS NAME	Q'TY	REMARKS	REC.Q'TY (PCS)
0	14305H78650PAH	14305H78650PAH	14305H78650PAH	MUFFLER ASS'Y	1	NOT SALE	
1	14310H75800PAH	14310H75850PAH	14310H75850PAH	BODY COMP, muffler	1		3
2	14181-05020	14181-05020	14181-05020	GASKET, exhaust pipe	1		20
3	01421-08258	01421-08258	01421-08258	STUD BOLT, exhaust pipe	2		3
4	08316-26086	08316-26086	08316-26086	NUT, exhaust pipe	2		
5	09118H08041	09118H08041	09118H08041	BOLT, muffler support	1		
6	09160-08002	09160-08002	09160-08002	WASHER, muffler support	1		
7	09180H08102	09180H08102	09180H08102	SPACER, muffler support	1		
8	09320-12026	09320-12026	09320-12026	CUSHION, muffler support	1		
9	14150HR7900PAH	14150HR7900PAH	14150HR7900PAH	PIPE COM , exhaust	1		5
10	14770HG5802PAM	14770HG5802PAM	14770HG5802PAM	CONNECT COMP, exhaust pipe	1		5
11	14773HG5800	14773HG5800	14773HG5800	GASKET, connector exhaust pipe	1		
12	01517-08468	01517-08468	01517-08468	BOLT, connector exhaust pipe	1		
13	14781HG5803	14781HG5803	14781HG5803	COVER MUFFLER	1		
14	01187-08168	01187-08168	01187-08168	BOLT, exhaust pipe support braket	1		
15	01187-08168	01187-08168	01187-08168	BOLT, exhaust support front bracket	1		
16	14186HG5801	14186HG5801	14186HG5801	COVER, exhaust	1		
17	02112-35088	02112-35088	02112-35088	SCREW, exhaust cover	2		
18	14790HG5801	14790HG5801	14790HG5801	CLAMP ASS'Y, muffler cover	2		
19	08322-21088	08322-21088	08322-21088	WASHER, exhaust pipe connector	1	NOT SALE	
20	14760HG5801	14760HG5801	14760HG5801	BLACK PROTECTOR ASS'Y, muffler body	1		5

FIG 13



FWD

FIG 13. 2ND AIR VALVE

REF. NO.	PARTS NO. 7EG01	7EU01/7F01/7G01/7S01/7SA01	7EN01	PARTS NAME	Q'TY	REMARKS	REC.Q'TY (PCS)
1	18500HN9100	18500HN9100	18500HN9100	VALVER ASS'Y , 2nd air	1		5
2	18651HG5851	18651HG5851	18651HG5851	HOSE, air cleaner	1		5
3	18681HN9100	18681HN9100	18681HN9100	HOSE, 2nd vacuum	1		5
4	18631HG5850	18631HG5850	18631HG5850	HOSE, 2nd air pipe	1		5
5	09401H13401	09401H13401	09401H13401	CLAMP, 2nd air pipe hose	2		
6	01104-06208	01104-06208	01104-06208	BOLT, 2nd air valve	2		
7	09401H08401	09401H08401	09401H08401	CLAMP, 2nd vacuum hose	2		
8	09401H14401	09401H14401	09401H14401	CLAMP, 2nd air cleaner hose	2		
9	18610HR7800	18610HR7800	18610HR7800	PIPE COMP, 2nd air	1		5
10	09128-06005	09128-06005	09128-06005	BOLT, 2nd air pipe	1		
11	09280H12005	09280H12005	09280H12005	O-RING, 2nd air valve	1		

FIG 14

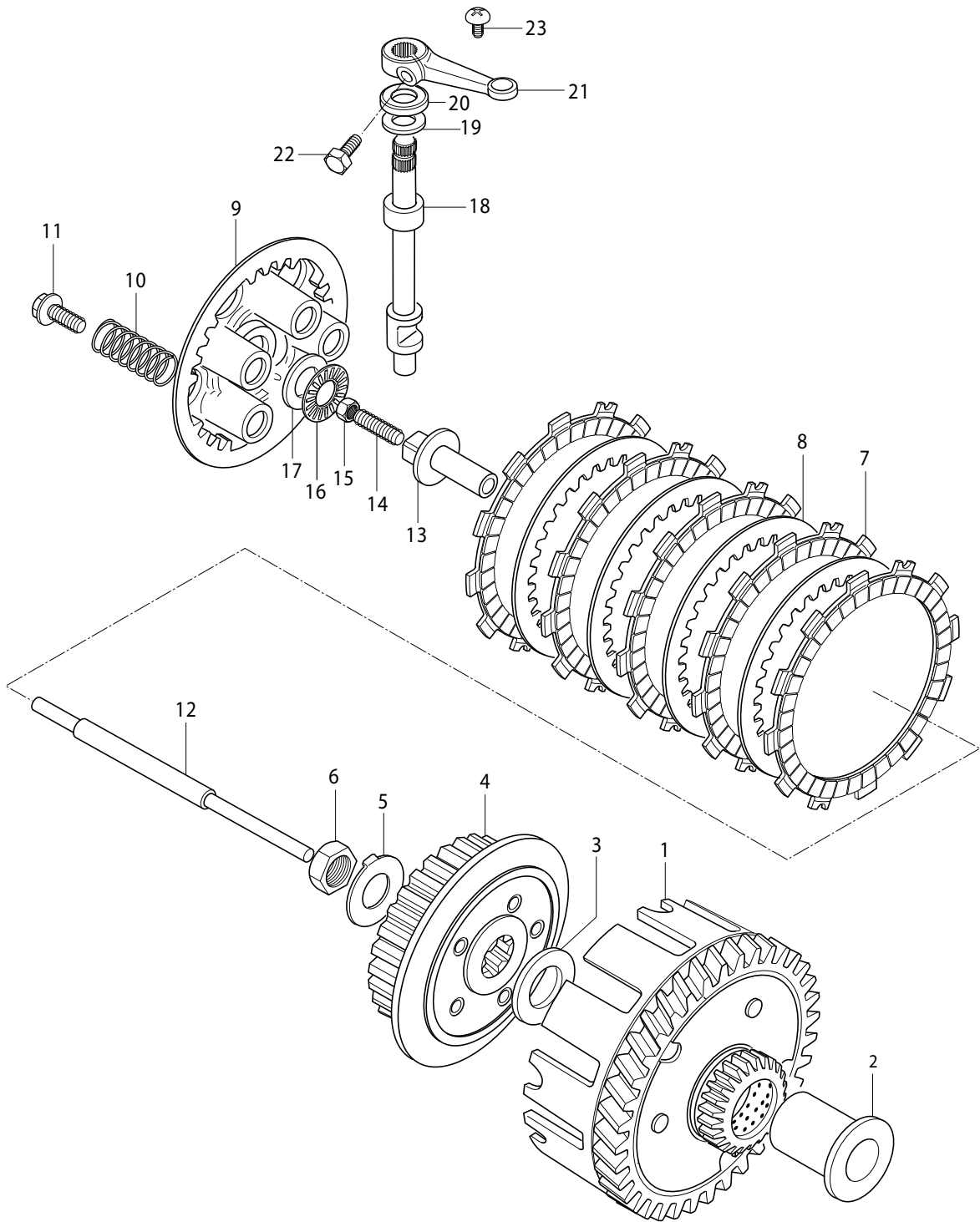


FIG 14. CLUTCH ASS'Y

REF. NO.	PARTS NO. 7EG01	7EU01/7F01/7G01/7S01/7SA01	7EN01	PARTS NAME	Q'TY	REMARKS	REC.Q'TY (PCS)
1	21210HR7800	21210HR7800	21210HR7800	GEAR COMP, PRIMARY DRIVEN	1		
2	21251-13E00	21251-13E00	21251-13E00	SPACER, P/DRIVEN GEAR	1		
3	08211-20352	08211-20352	08211-20352	THRUST WASHER, C/SLEEVE	1		
4	21411-05200	21411-05200	21411-05200	HUB, CLUTCH SLEEVE	1		
5	09169-16003	09169-16003	09169-16003	WASHER, CLUTCH SLEEVE HUB	1		
6	09140-16014	09140-16014	09140-16014	NUT, CLUTCH SLEEVE HUB	1		
7	21441-13A01	21441-13A01	21441-13A01	PLATE, CLUTCH DRIVE	5		
8	21451-28000	21451-28000	21451-28000	PLATE, CLUTCH DRIVEN	4		
9	21462-14102	21462-14102	21462-14102	DISK, CLUTCH PRESSURE	1		
10	09440-15014	09440-15014	09440-15014	SPRING, CLUTCH	5		
11	09116-05003	09116-05003	09116-05003	BOLT, CLUTCH SPRING	5		
12	23110-05202	23110-05202	23110-05202	ROD COMP, CLUTCH PUSH	1		
13	23121-05200	23121-05200	23121-05200	PIECE, CLUTCH PUSH	1		
14	09134-06010	09134-06010	09134-06010	SCREW, C/RELEASE ADJUSTER	1		
15	09140-06023	09140-06023	09140-06023	NUT, C/RELEASE ADJUSTER	1		
16	09263-15003	09263-15003	09263-15003	THRUST BEARING, C/RELEASE	1		
17	09160-15015	09160-15015	09160-15015	THRUST WASHER, C/RELEASE	1		
18	23122-05200	23122-05200	23122-05200	CAMSHAFT, CLUTCH RELEASE	1		
19	08211-10201	08211-10201	08211-10201	THRUST WASHER, C/RELEASE CAMSHAFT	1		
20	09282-10007	09282-10007	09282-10007	OIL SEAL, C/RELEASE CAMSHAFT	1		
21	23271-46000	23271-46000	23271-46000	ARM, C/RELEASE	1		
22	01107-06165	01107-06165	01107-06165	BOLT, C/RELEASE ARM	1		
23	02142-06108	02142-06108	02142-06108	STOPPER, C/RELEASE CAMSHAFT	1		

FIG 15

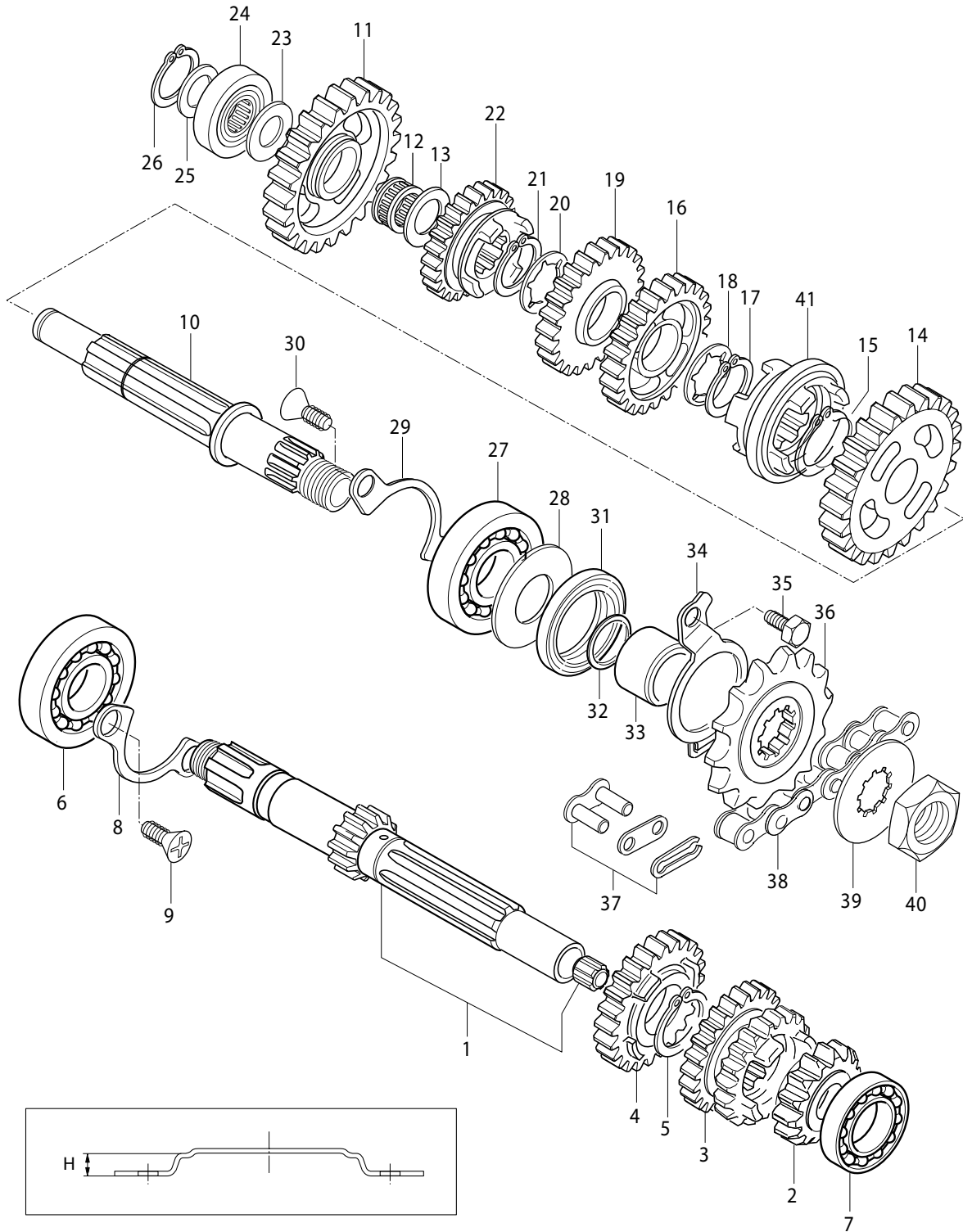


FIG 15. TRANSMISSION

REF. NO.	PARTS NO. 7EG01	7EU01/7F01/7G01/7S01/7SA01	7EN01	PARTS NAME	Q'TY	REMARKS	REC.Q'TY (PCS)
0	24200S35C00HPA	24200S35C00HPA	24200S35C00HPA	MISSION SET	1		5
1	24121-05211	24121-05211	24121-05211	SHAFT COMP, COUNTER	1		5
2	24221-29B00	24221-29B00	24221-29B00	GEAR, 2ND DRIVE	1		5
3	24231-29B10	24231-29B10	24231-29B10	GEAR, 3RD & 4TH DRIVE	1		5
4	24251-05202	24251-05202	24251-05202	GEAR, 5TH DRIVE	1		5
5	09380-20009	09380-20009	09380-20009	CIRCLIP, 5TH DRIVE GEAR	1		5
6	09262-20062	09262-20062	09262-20062	BEARING, COUNTER SHAFT R	1		5
7	08123-60020	08123-60020	08123-60020	BEARING, COUNTER SHAFT L	1		5
8	24741-05200	24741-05200	24741-05200	RETAINER, COUNTER SHAFT BEARING	1		5
9	02122-06128	02122-06128	02122-06128	SCREW, C/SHAFT RETAINER	1		5
10	24130H75800	24130H75800	24130H75800	SHAFT COMP, DRIVE	1		5
11	24311-29B00	24311-29B00	24311-29B00	GEAR, 1ST DRIVEN	1		5
12	09263H15002	09263H15002	09263H15002	BEARING, 1ST DRIVEN GEAR	1		5
13	08211-15251	08211-15251	08211-15251	THRUST WASHER, 1ST DRIVEN GEAR	1		5
14	24320-29B00	24320-29B00	24320-29B00	GEAR, 2ND DRIVEN	1		5
15	09380-20009	09380-20009	09380-20009	CIRCLIP, 2ND DRIVEN GEAR	3		20
16	24331-05201	24331-05201	24331-05201	GEAR, 3RD DRIVEN	1		5
17	09380-20009	09380-20009	09380-20009	CIRCLIP, 3RD DRIVEN GEAR	1		5
18	09167-20011	09167-20011	09167-20011	THRUST WASHER, 3ND DRIVEN	1		5
19	24341-29B10	24341-29B10	24341-29B10	GEAR, 4TH DRIVEN	1		5
20	09167-20011	09167-20011	09167-20011	THRUST WASHER, 4ND DRIVEN	1		5
21	09380-20009	09380-20009	09380-20009	CIRCLIP, 4TH DRIVEN GEAR	1		20
22	24351-05201	24351-05201	24351-05201	GEAR, 5TH DRIVEN	1		5
23	08211-15251	08211-15251	08211-15251	THRUST WASHER, 1ST DRIVEN R	1		5
24	09263H15C03	09263H15C03	09263H15C03	BEARING, DRIVE SHAFT R	1		5
25	08211-15201	08211-15201	08211-15201	WASHER, DRIVE SHAFT R	1		20

FIG 15

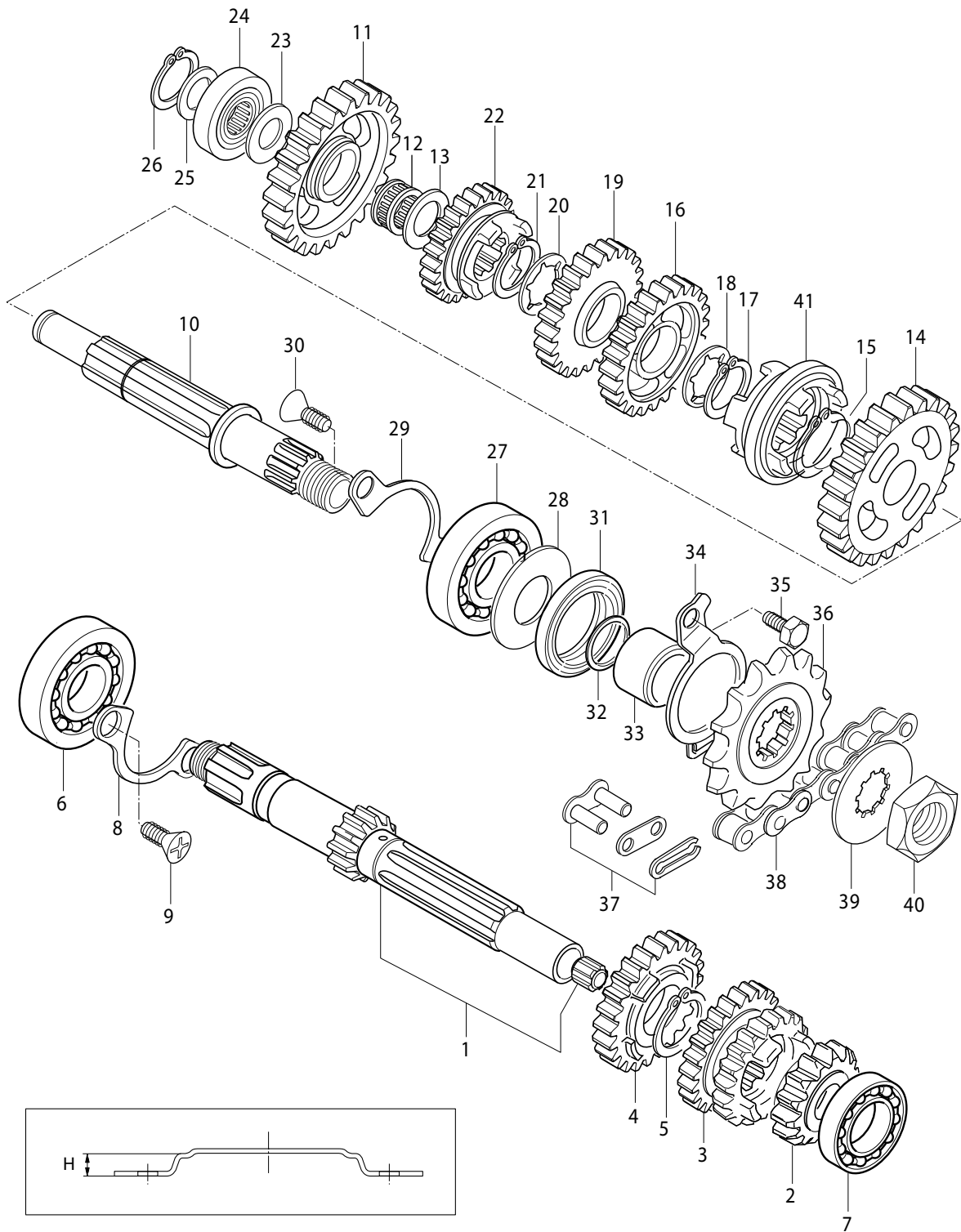


FIG 15. TRANSMISSION

REF. NO.	PARTS NO. 7EG01	7EU01/7F01/7G01/7S01/7SA01	7EN01	PARTS NAME	Q'TY	REMARKS	REC.Q'TY (PCS)
26	08331-31159	08331-31159	08331-31159	CIRCLIP, DRIVE BEARING R	1		5
27	08113-62040	08113-62040	08113-62040	BEARING, DRIVE SHAFT L	1		5
28	24359-05200	24359-05200	24359-05200	WASHER, OIL SEALING	1		10
29	24741-05200	24741-05200	24741-05200	RETAINER, DRIVE SHAFT	1		10
30	02122-06128	02122-06128	02122-06128	SCREW, DRIVE SHAFT RETAINER	2		10
31	09283-27010	09283-27010	09283-27010	OIL SEAL, DRIVE SHAFT	1		5
32	09280-19005	09280-19005	09280-19005	O-RING, ENGINE SPROCKET	1		10
33	27531HG5101	27531HG5101	27531HG5101	SPACER, ENGINE SPROCKET	1		10
34	24751-05201	24751-05201	24751-05201	RETAINER, DRIVE SHAFT OIL SEAL	1		5
35	01107-06106	01107-06106	01107-06106	BOLT, DRIVE SHAFT OIL SEAL	1		5
36	27510-41721	27510-41721	27510-41721	SPROCKET, ENGINE 13T	1		5
37	27620-29B20	27620-29B20	27620-29B20	JOINT, CHAIN	1		5
38	27600H75800	27600H75800	27600H75800	CHAIN ASS'Y DRIVE(L=128)	1		5
39	09167-20006	09167-20006	09167-20006	LOCK WASHER, ENG SPROCKET	1		5
40	09140-16019	09140-16019	09140-16019	NUT, ENGINE SPROCKET	1		10
41	24421-05300	24421-05300	24421-05300	WHEEL, SLIDING DOG	1		5

FIG 16

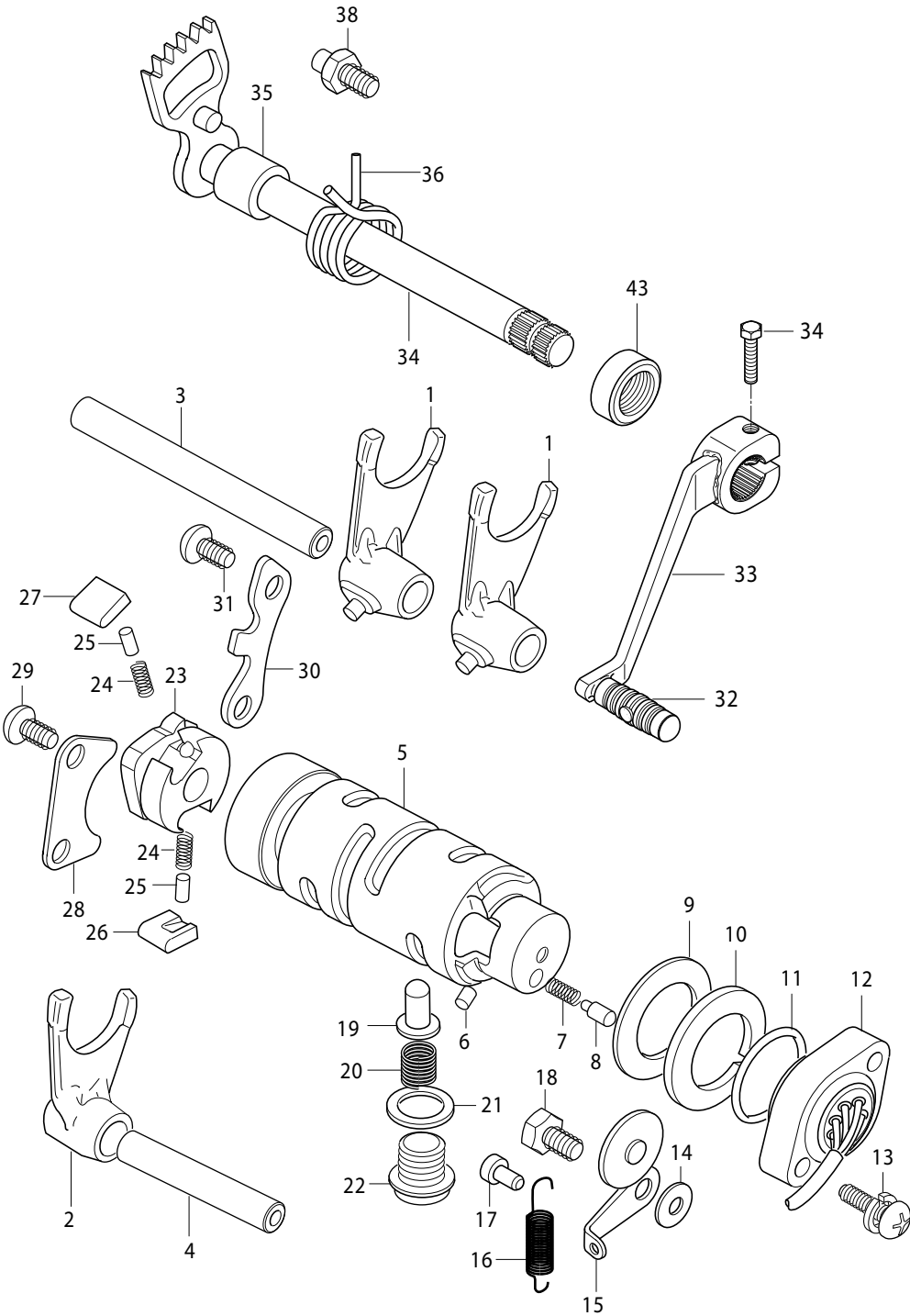


FIG 16. GEAR SHIFTING

REF. NO.	PARTS NO. 7EG01	7EU01/7F01/7G01/7S01/7SA01	7EN01	PARTS NAME	Q'TY	REMARKS	REC.Q'TY (PCS)
0	25310S05200HPA	25310S05200HPA	25310S05200HPA	GEAR SHIFTING ASS'Y	1		5
1	25211-05200	25211-05200	25211-05200	FORK, GEAR SHIFT No.1	2		5
2	25231-05201	25231-05201	25231-05201	FORK, GEAR SHIFT No.3	1		5
3	25411-05201	25411-05201	25411-05201	SHAFT, GEAR SHIFT FORK No.1	1		
4	25421-35403	25421-35403	25421-35403	SHAFT, GEAR SHIFT FORK No.2	1		
5	25310-05200	25310-05200	25310-05200	CAM COMP, GEAR SHIFT	1		
6	04221-04069	04221-04069	04221-04069	PIN, GEAR SHIFT	1		
7	09440-04010	09440-04010	09440-04010	SPRING, GEAR SHIFT	1		
8	09209-05011	09209-05011	09209-05011	CONTACT, GEAR SHIFT SWITCH	1		
9	08211-25401	08211-25401	08211-25401	WASHER, GEAR SHIFT CAM	1		
10	25381-45400	25381-45400	25381-45400	PLATE, G/SHIFT CAM STOPPER	1		
11	09280-26007	09280-26007	09280-26007	O-RING GEAR SHIFT SWITCH	1		
12	37720HR7900	37720HR7900	37720HR7900	SWITCH ASS'Y GEAR SHIFT	1		
13	02112-95208	02112-95208	02112-95208	SCREW, G/SHIFT SWITCH	2		
14	08211-06141	08211-06141	08211-06141	WASHER, G/SHIFT CAM STOPPER	1		
15	25350-44A00	25350-44A00	25350-44A00	STOPPER COMP, GEAR SHIFT ARM	1		
16	09443-08044	09443-08044	09443-08044	SPRING, G/SHIFT CAM STOPPER ARM	1		
17	09223-04001	09223-04001	09223-04001	HOOK, GEAR SHIFT CAM	1		
18	09111-06019	09111-06019	09111-06019	BOLT, G/SHIFT CAM STOPPER	1		
19	25351-30010	25351-30010	25351-30010	STOPPER COMP, CAM NEUTRAL	1		
20	09440-11016	09440-11016	09440-11016	SPRING, G/SHIFT CAM STOPPER	1		
21	09168-14002	09168-14002	09168-14002	WASHER, G/SHIFT CAM STOPPER PLUG	1		
22	09247-14026	09247-14026	09247-14026	PLUG, G/SHIFT CAM STOPPER	1		
23	25322-31301	25322-31301	25322-31301	GEAR, G/SHIFT CAM DRIVEN	1		
24	09440-04003	09440-04003	09440-04003	SPRING, G/SHIFT PAWL RETURN	2		
25	09261-05003	09261-05003	09261-05003	PIN, GEAR SHIFT PAWL CLICK	2		

FIG 16

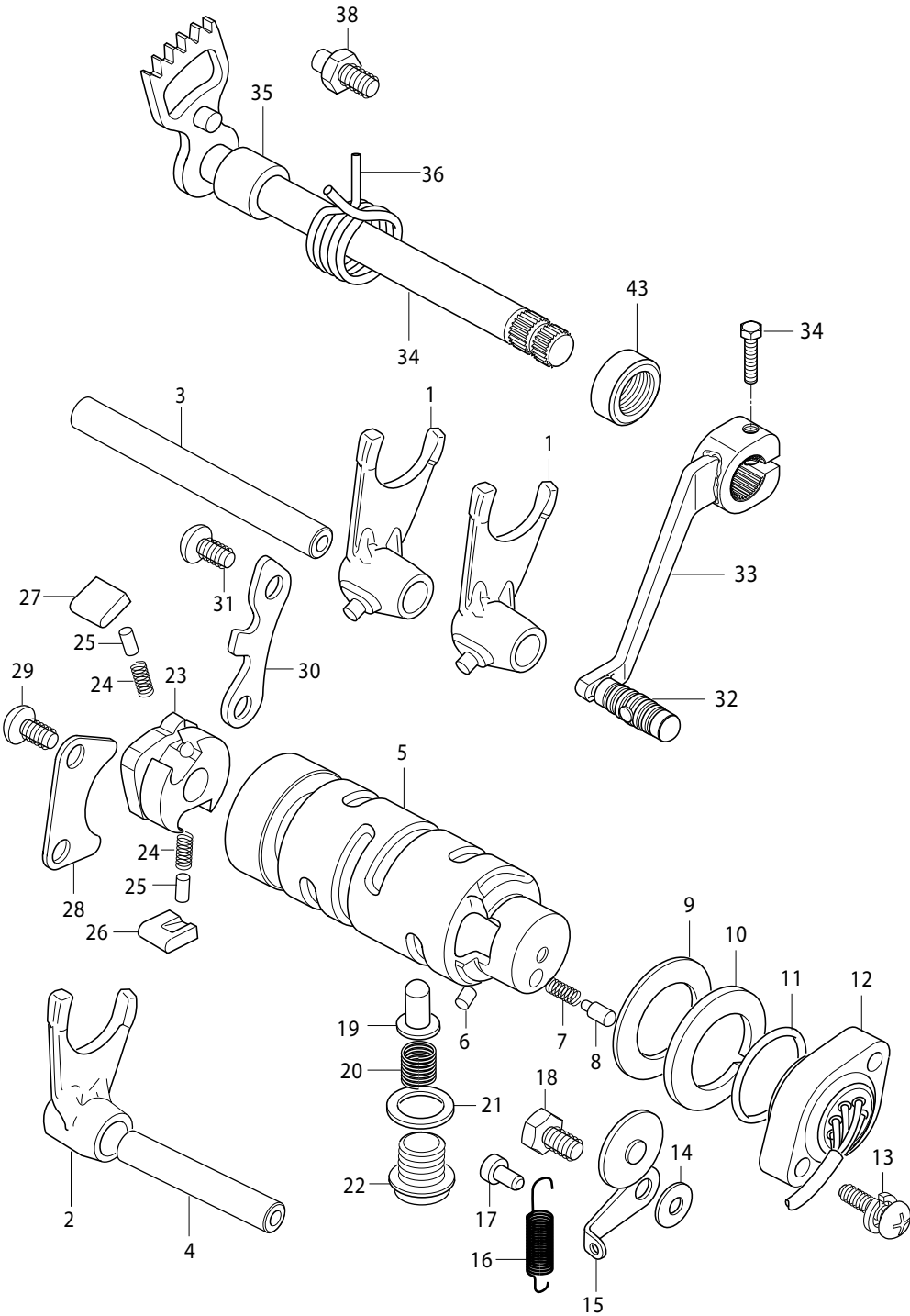


FIG 16. GEAR SHIFTING

REF. NO.	PARTS NO. 7EG01	7EU01/7F01/7G01/7S01/7SA01	7EN01	PARTS NAME	Q'TY	REMARKS	REC.Q'TY (PCS)
26	25323-34201	25323-34201	25323-34201	PAWL, GEAR SHIFT No.1	1		
27	25324-34201	25324-34201	25324-34201	PAWL, GEAR SHIFT No.2	1		
28	25331-30000	25331-30000	25331-30000	LIFTER, GEAR SHIFT PAWL	1		
29	02122-96128	02122-96128	02122-96128	SCREW, G/SHIFT PAWL LIFTER	2		
30	25341-05200	25341-05200	25341-05200	GUIDE, GEAR SHIFT CAM	1		
31	02122-06128	02122-06128	02122-06128	SCREW, G/SHIFT CAM GUIDE	2		
32	25652HG5800	25652HG5800	25652HG5800	RUBBER, GEAR SHIFT PEDAL	1		
33	25600HG5802	25600HG5802	25600HG5802	LEVER COMP, GEAR SHIFT	1		
34	25510-05400	25510-05400	25510-05400	SHAFT COMP, GEAR SHIFT	1		
35	09180-12068	09180-12068	09180-12068	.SPACER, G/SHIFT SHAFT	1		
36	09444-26013	09444-26013	09444-26013	SPRING, G/SHIFT SHAFT RETURN	1		
37	09285-12002	09285-12002	09285-12002	OIL SEAL, G/SHIFT SHAFT	1		
38	25671-01000	25671-01000	25671-01000	STOPPER, GEAR SHIFT ARM	1		

FIG 17

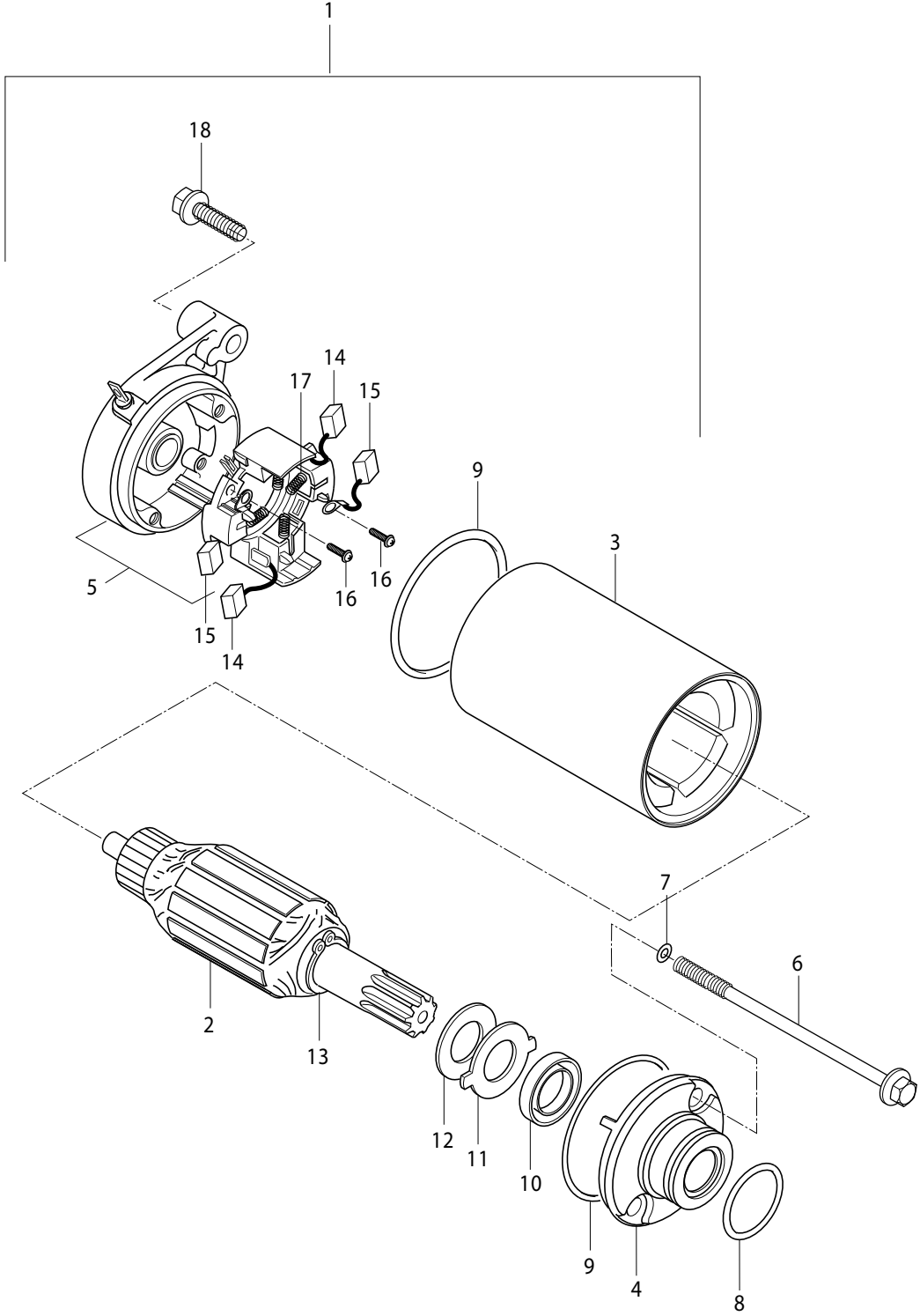


FIG 17. STARTING MOTOR

REF. NO.	PARTS NO. 7EG01	7EU01/7F01/7G01/7S01/7SA01	7EN01	PARTS NAME	Q'TY	REMARKS	REC.Q'TY (PCS)
1	31100-42A01	31100-42A01	31100-42A01	MOTOR ASS'Y, STARTING	1		5
2	31310-11D10	31310-11D10	31310-11D10	ARMATURE ASS'Y, STARTER	1	NOT SALE	
3	31100-05320	31100-05320	31100-05320	YOKE ASS'Y, STARTER	1	NOT SALE	
4	31150-42A01	31150-42A01	31150-42A01	HOUSING ASS'Y, STARTER	1	NOT SALE	
5	31175-42A01	31175-42A01	31175-42A01	FRAME ASS'Y, COMMUTATOR	1	NOT SALE	
6	31281-32C10	31281-32C10	31281-32C10	BOLT, THROUGH	2	NOT SALE	
7	31156-38300	31156-38300	31156-38300	O-RING	2	NOT SALE	
8	09280-24003	09280-24003	09280-24003	O-RING	1	NOT SALE	
9	31264-35C10	31264-35C10	31264-35C10	O-RING	2	NOT SALE	
10	31153-49210	31153-49210	31153-49210	SEAL, OIL	1	NOT SALE	
11	31361-32C00	31361-32C00	31361-32C00	PLATE, LOCK	1	NOT SALE	
12	31361-38300	31361-38300	31361-38300	WASHER, PLATE LOCK	1	NOT SALE	
13	31361-10200	31361-10200	31361-10200	RING, SHAFT SNAP	1	NOT SALE	
14	31132-32C10	31132-32C10	31132-32C10	BRUSH SUB-ASS'Y, STARTER	2	NOT SALE	
15	31131-32C20	31131-32C20	31131-32C20	BRUSH, STARTER	2	NOT SALE	
16	31114-32C10	31114-32C10	31114-32C10	SCREW	2	NOT SALE	
17	31135-32C10	31135-32C10	31135-32C10	SPRING, COMPRESSION COIL	4	NOT SALE	
18	01547-06308	01547-06308	01547-06308	BOLT, STARTING MOTOR	2		

FIG 18

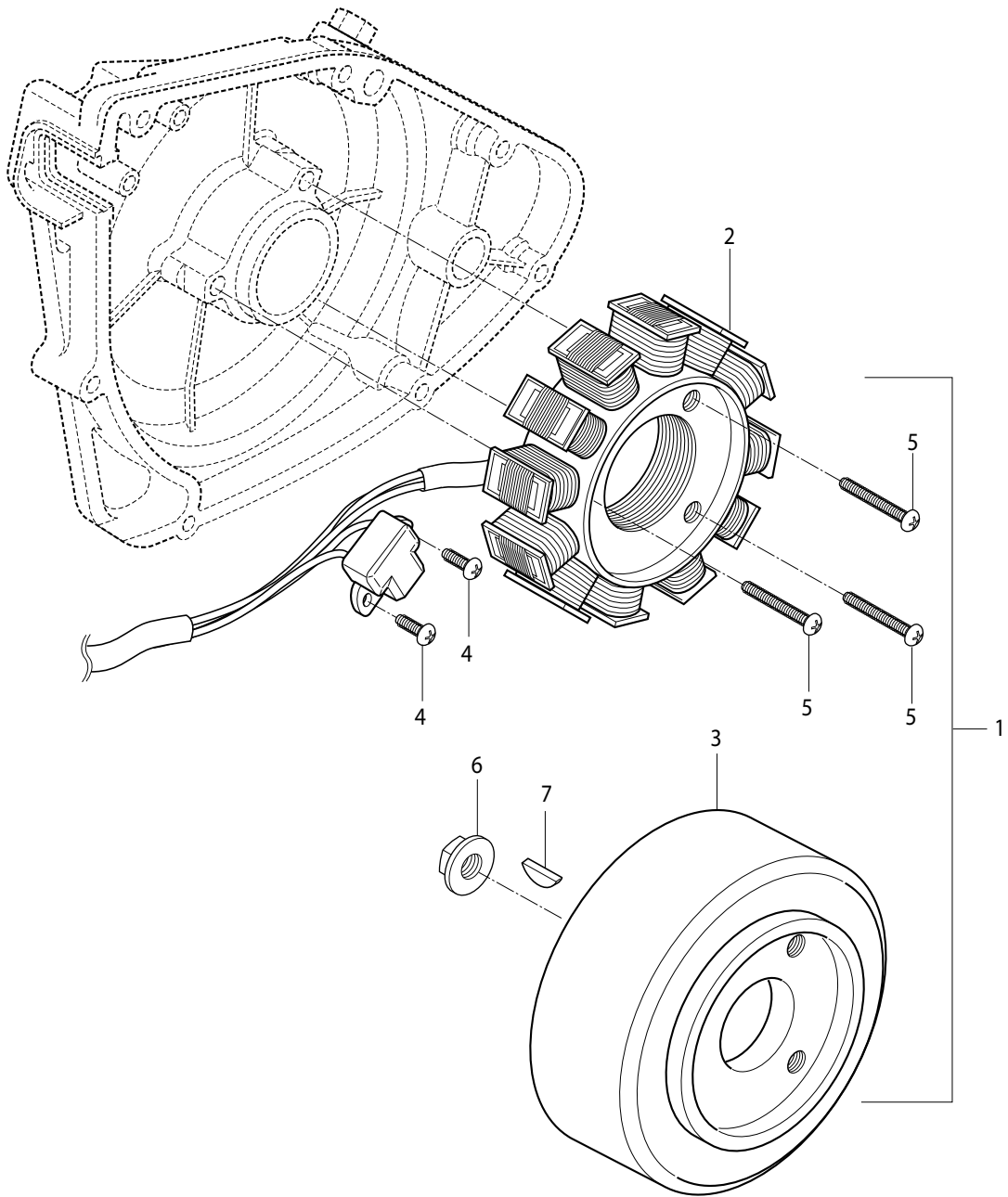


FIG 18. MAGNETO ASS'Y

REF. NO.	PARTS NO. 7EG01	7EU01/7F01/7G01/7S01/7SA01	7EN01	PARTS NAME	Q'TY	REMARKS	REC.Q'TY (PCS)
1	32100HR7900	32100HR7900	32100HR7900	MAGNETO ASS'Y	1		5
2	32101HR7900	32101HR7900	32101HR7900	STATOR ASS'Y	1		5
3	32102-35C00	32102-35C00	32102-35C00	ROTOR, FLY WHEEL	1		5
4	02112-05128	02112-05128	02112-05128	SCREW	2		10
5	02112-05258	02112-05258	02112-05258	SCREW, STATOR	3		10
6	08316-26108	08316-26108	08316-26108	NUT	1		10
7	08341-31039	08341-31039	08341-31039	KEY	1		10

FIG.19

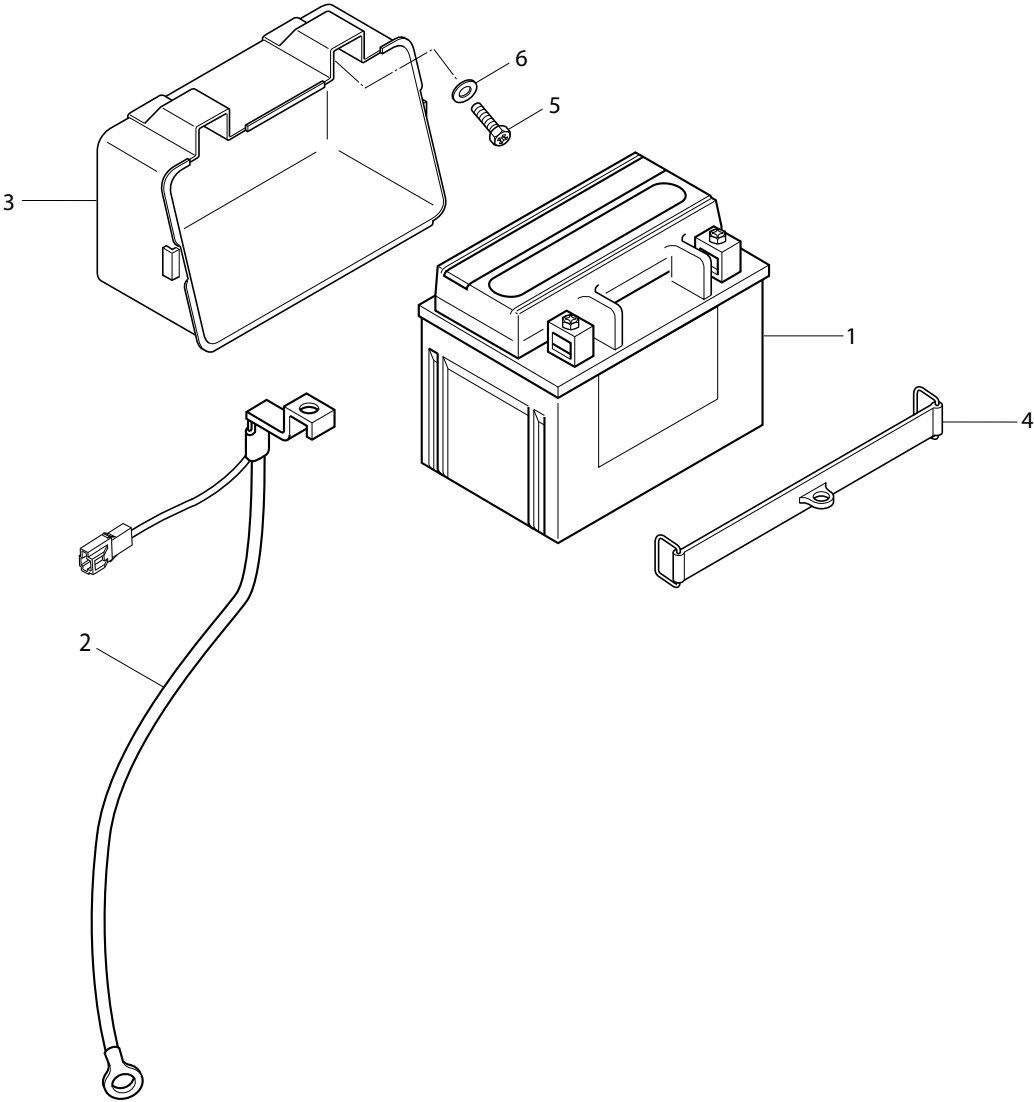
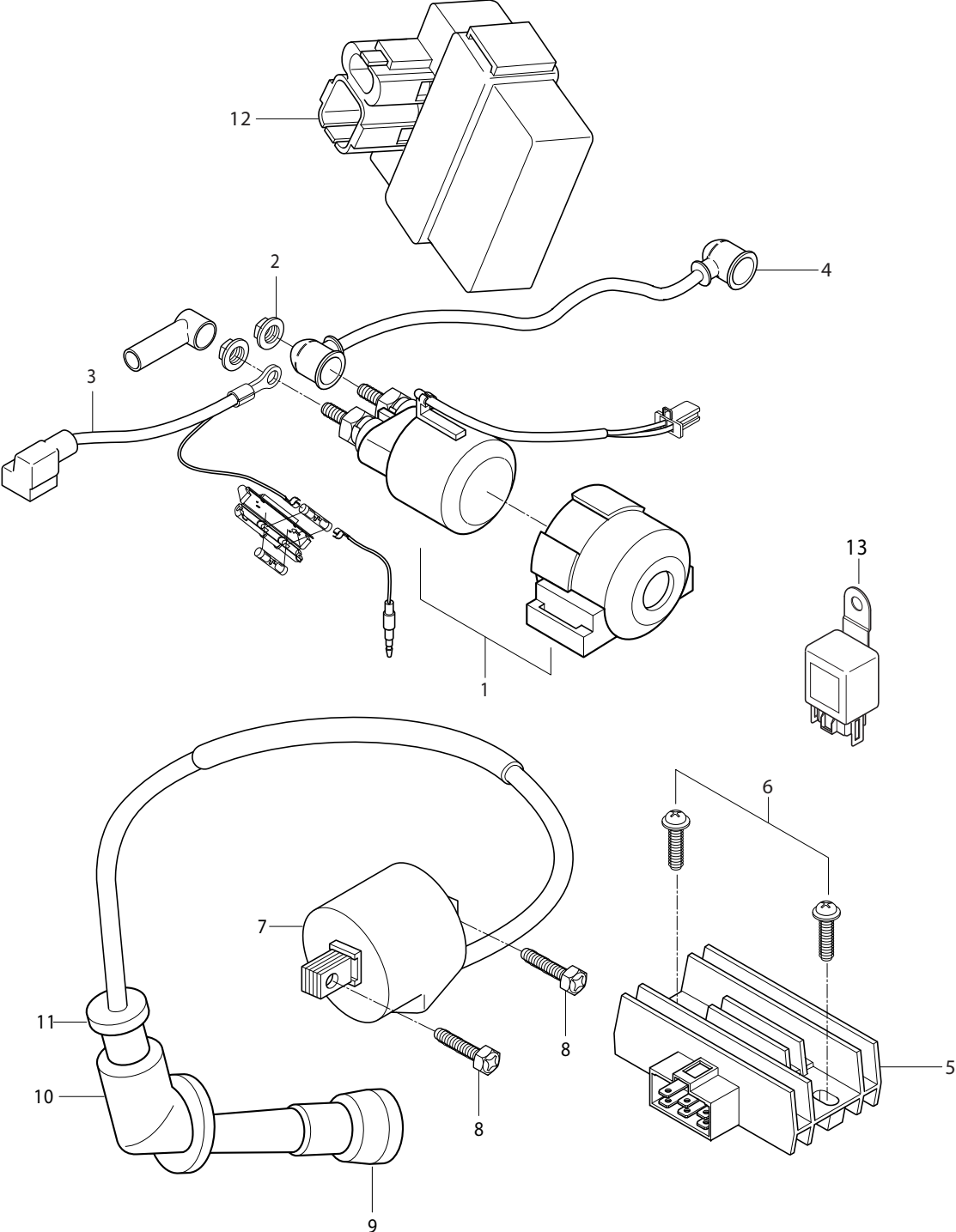


FIG 19. BATTERY

REF. NO.	PARTS NO. 7EG01	7EU01/7F01/7G01/7S01/7SA01	7EN01	PARTS NAME	Q'TY	REMARKS	REC.Q'TY (PCS)
1	33610-06C11	33610-06C11	33610-06C11	BATTERY (12V, 6AH.YTX7-BS)	1		20
2	33860HG5800	33860HG5800	33860HG5800	LEAD WIRE, battery(-)	1		20
3	41545HG5802	41545HG5802	41545HG5802	GUARD, battery	1		
4	09462H00009	09462H00009	09462H00009	BAND, battery	1		
5	01517-06165	01517-06165	01517-06165	BOLT, battery guard	2		
6	09169-06034	09169-06034	09169-06034	WASHER, battery guard	2		

FIG.20



FWD

FIG 20. ELECTRICAL

REF. NO.	PARTS NO. 7EG01	7EU01/7F01/7G01/7S01/7SA01	7EN01	PARTS NAME	Q'TY	REMARKS	REC.Q'TY (PCS)
1	31800HG5100	31800HG5100	31800HG5100	RELAY ASS'Y, STARTING MOTOR	1		10
2	08316-26066	08316-26066	08316-26066	NUT, STARTING MOTOR	2		
3	36740HG5800	36740HG5800	36740HG5800	FUSE CASE ASS'Y	1		
4	33850HG5800	33850HG5800	33850HG5800	LEAD WIRE,STARTING MOTOR	1		
5	32800H01413	32800H01413	32800H01413	RECTIFIER ASS'Y, REGULATOR	1		5
6	01174-05208	01174-05208	01174-05208	SCREW, RECTIFIER	2		
7	33410HG5800	33410HG5800	33410HG5800	COIL ASSY,IGNITION	1		5
8	02112-46208	02112-46208	02112-46208	SCREW, IGNITION(M6*20)	2		
9	33541-23E01	33541-23E01	33541-23E01	SEAL,SPARK PLUG	1		
10	33510-05C01	33510-05C01	33510-05C01	CAP SPARK PLUG	1		5
11	33542-24D00	33542-24D00	33542-24D00	SEAL,HIGHTENSION CORD	1		
12	32900HR7900	32900HR7950	32900HR7950	CDI UNIT	1		5
13	38740HM5401	38740HM5401	38740HM5401	RELAY, HEAD LAMP	1		5

FIG.21

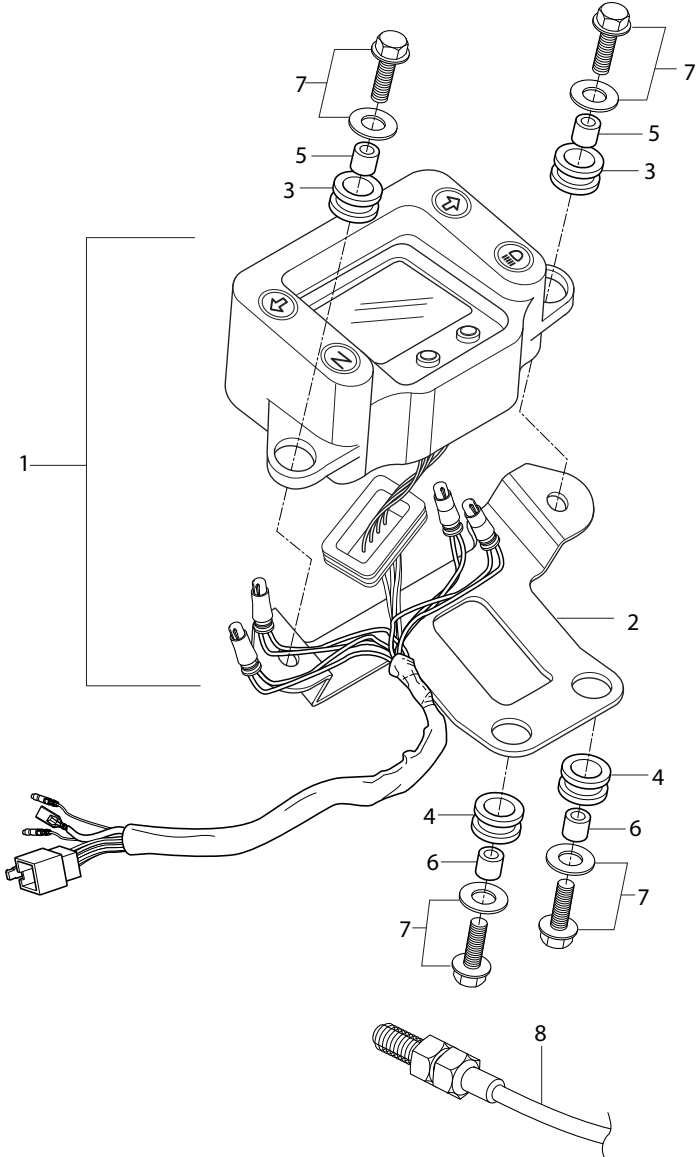


FIG 21. SPEEDOMETER ASS'Y

REF. NO.	PARTS NO. 7EG01	7EU01/7F01/7G01/7S01/7SA01	7EN01	PARTS NAME	Q'TY	REMARKS	REC.Q'TY (PCS)
1	34100H75800	34100H75800	34100H758A0	SPEEDOMETER ASSY	1		5
2	34950HR7900	34950HR7900	34950HR7900	BRACKET, speedometer	1		3
3	09320-08048	09320-08048	09320-08048	CUSHION, speedometer bracket	2		
4	09320H12090	09320H12090	09320H12090	CUSHION, speedometer	2		
5	09180-06114	09180-06114	09180-06114	SPACER, speedometer bracket	2		
6	09180H06175	09180H06175	09180H06175	SPACER, speedometer	2		
7	09116-06010	09116-06010	09116-06010	BOLT, speedometer	4		
8	34860HR9700	34860HR9700	34860HR9700	SENSOR ASS'Y, speedometer	1		8

FIG.22

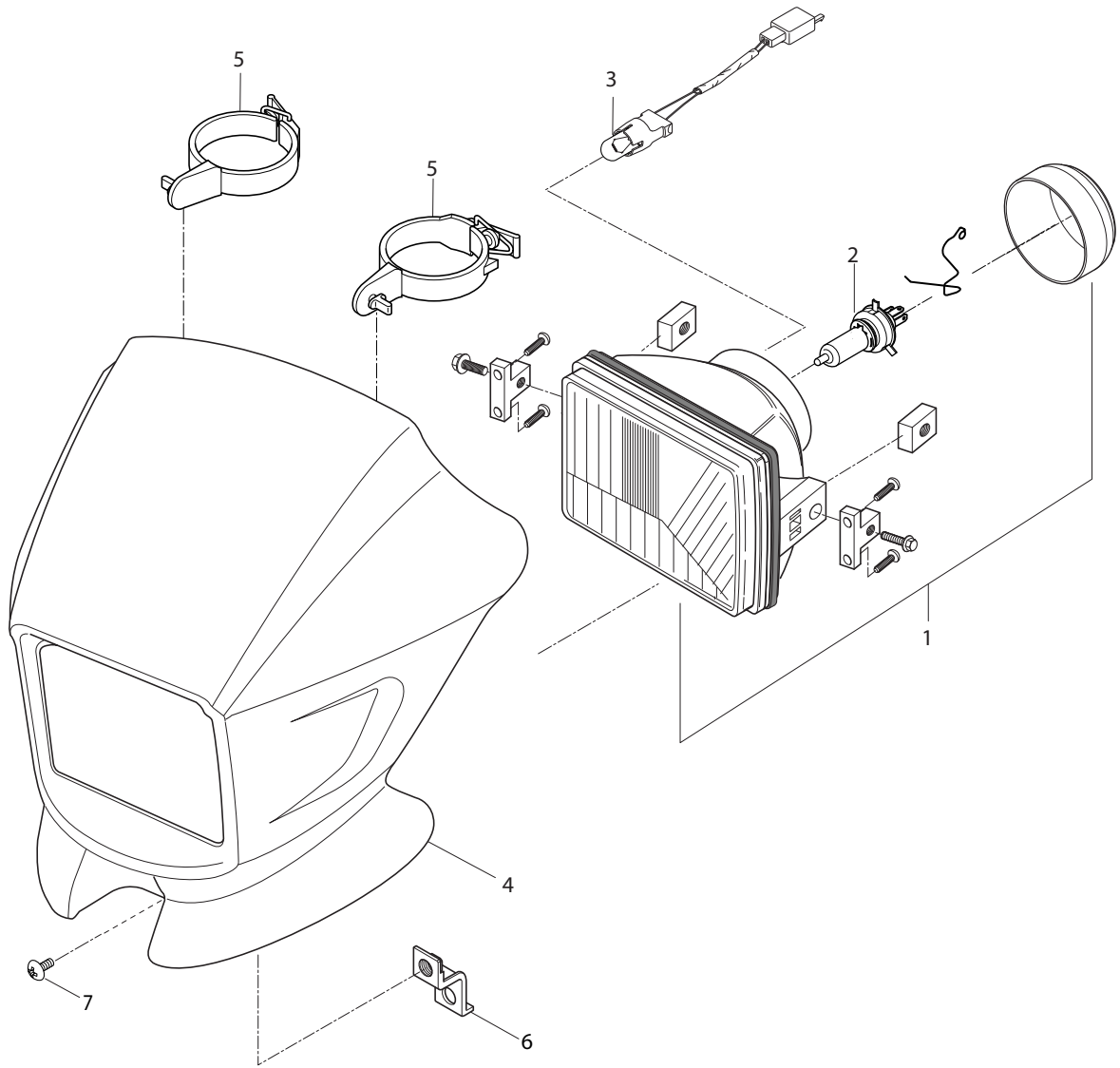
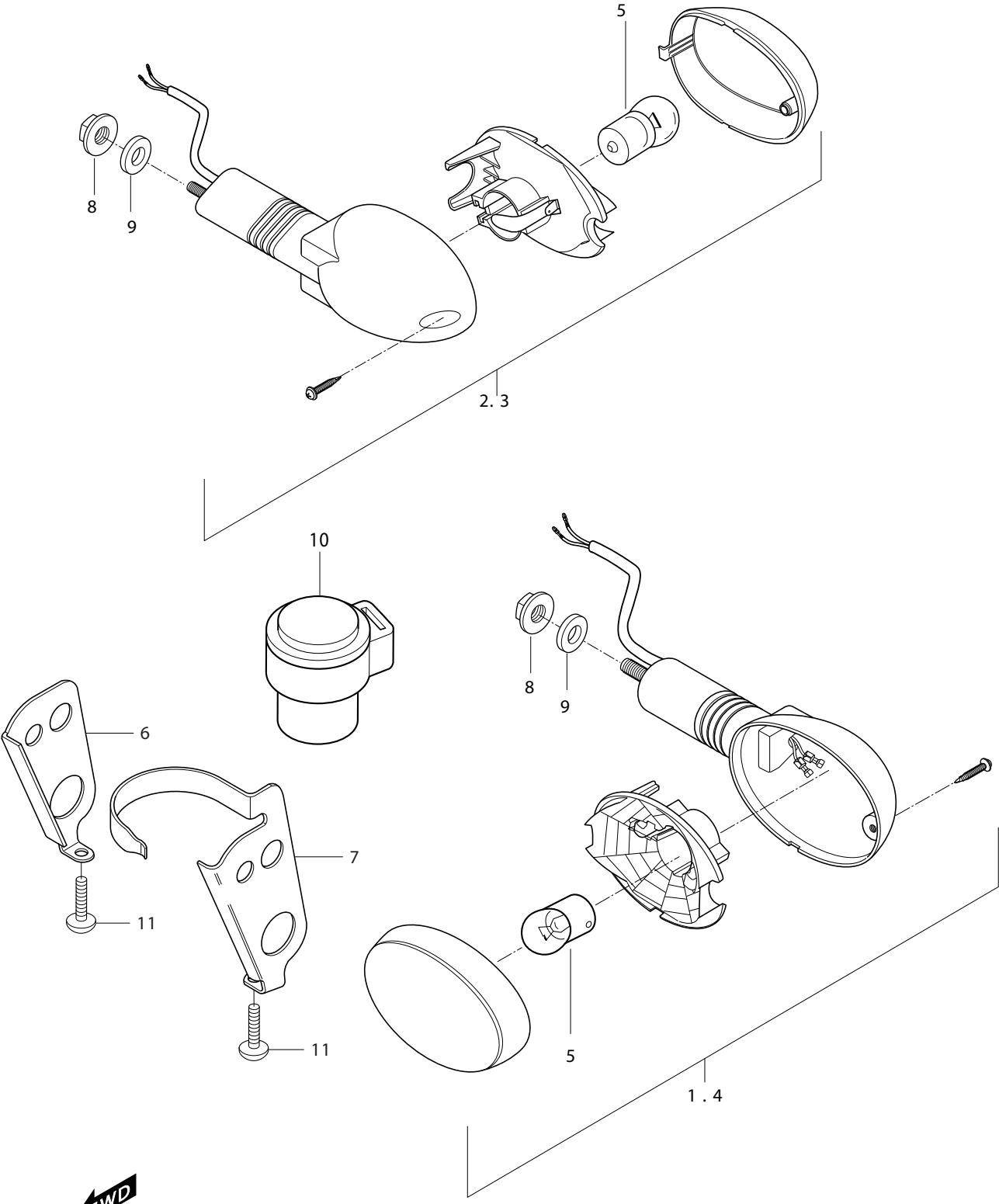


FIG 22. HEAD LAMP ASS'Y

REF. NO.	PARTS NO. 7EG01	7EU01/7F01/7G01/7S01/7SA01	7EN01	PARTS NAME	Q'TY	REMARKS	REC.Q'TY (PCS)
1		35100HG5850		HEAD LAMP ASS'Y	1		5
	35100HG5860	35100HG5860	35100HG5860	HEAD LAMP ASS'Y for 7SA01,7EG01,7EN01	1		5
2	09471-12104	09471-12104	09471-12104	BULB, head lamp(12V, 60/W55W)	1		20
3	09471-12110	09471-12110	09471-12110	BULB, position lamp(12V,5W)			20
4	51811HG5802	51811HG5802	51811HG5802	COV, HEAD LAMP(OBK, 0OE)	1		5
'4-1	51811HR7900	51811HR7900	51811HR7900	COV, HEAD LAMP(OBK, 0OE WITH EMBLEM)	1		5
5	51815HG5802	51815HG5802	51815HG5802	BAND, HEAD LAMP HOUSING	2		
6	51816HG5850	51816HG5850	51816HG5850	PLATE, HEAD LAMP HOUSING	1		
7	02142-06125	02142-06125	02142-06125	SCREW, HEAD LAMP HOUSING(M6*12)	1		27

FIG.23



FWD

FIG 23. TURN SIGNAL LAMP

REF. NO.	PARTS NO. 7EG01	7EU01/7F01/7G01/7S01/7SA01	7EN01	PARTS NAME	Q'TY	REMARKS	REC.Q'TY (PCS)
1	35601HR7900	35601HR7900	35601HR7900	LAMP FT TURN SIGNAL R	1		5
2	35602HR7900	35602HR7900	35602HR7900	LAMP FT TURN SIGNAL L	1		5
3	35603HR8600	35603HR8600	35603HR8600	LAMP, RR TURN SIGNAL R	1		5
4	35604HR8600	35604HR8600	35604HR8600	LAMP, RR TURN SIGNAL L	1		5
5	09471H12112	09471H12112	09471H12112	BULB, ASS'Y TURN SIGNAL LAMP(12V10W)	4		30
6	35615HG5800	35615HG5800	35615HG5800	PLATE, FRONT TURN SIGNAL LAMP RH	1		
7	35616HG5800	35616HG5800	35616HG5800	PLATE, FRONT TURN SIGNAL LAMP LH	1		
8	08310-11068	08310-11068	08310-11068	NUT, REAR TURN SIGNAL(M6)	2		
9	08322-21068	08322-21068	08322-21068	WASHER, REAR TURN SIGNAL	2		
10	38610H09411	38610H09411	38610H09411	RELAY ASS'Y, TURN SIGNAL	1		5
11	02142-05125	02142-05125	02142-05125	SCREW, FRONT TURN SIGNAL PLATE(M5*12)	2		
12	35612HR7900	35612HR7900	35612HR7900	LENS, FT TURN SIGNAL R	1		5
13	35632HR7900	35632HR7900	35632HR7900	LENS, FT TURN SIGNAL L	1		5
14	35652HR7800	35652HR7800	35652HR7800	LENS, RR TURN SIGNAL R	1		5
15	35672HR7800	35672HR7800	35672HR7800	LENS, RR TURN SIGNAL L	1		5

FIG.24

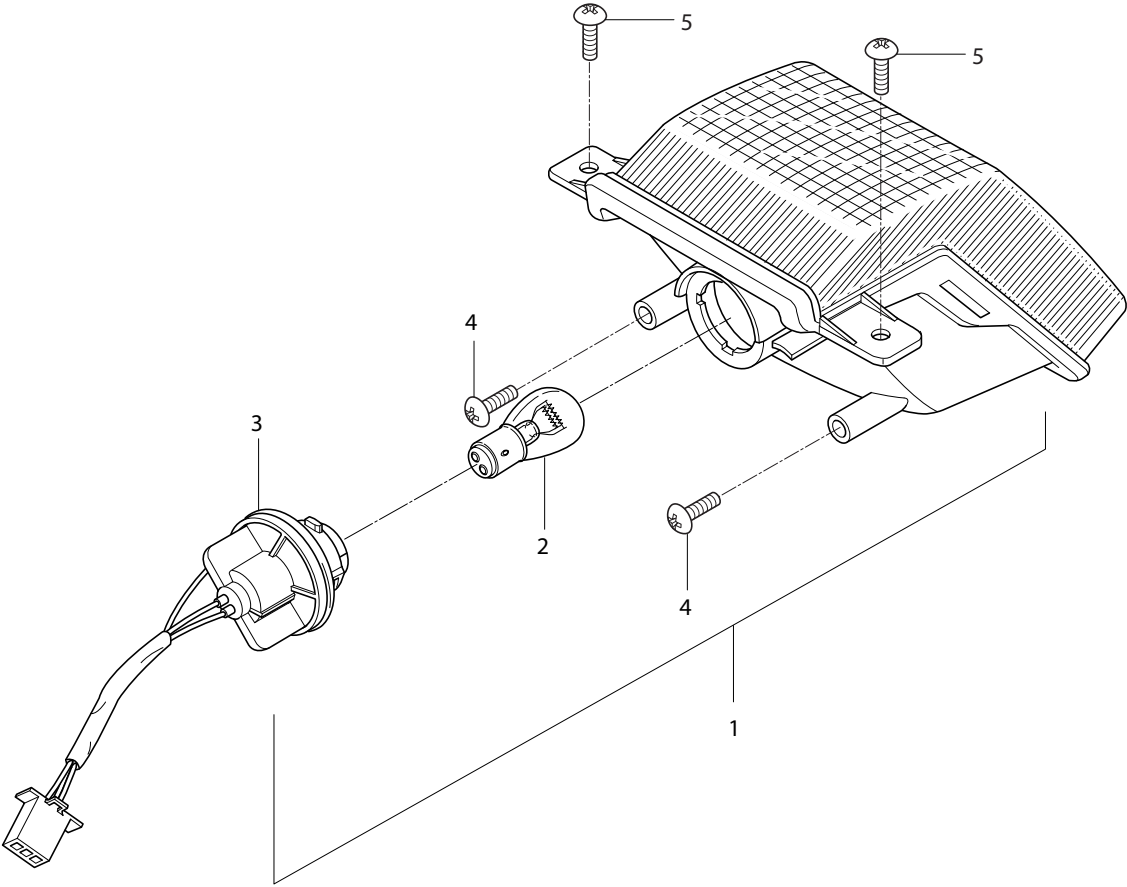


FIG 24. TAIL & STOP LAMP

REF. NO.	PARTS NO. 7EG01	7EU01/7F01/7G01/7S01/7SA01	7EN01	PARTS NAME	Q'TY	REMARKS	REC.Q'TY (PCS)
1	35710HG5850	35710HG5850	35710HG5850	LAMP ASS'Y, RR COMB	1		5
2	09471-12046	09471-12046	09471-12046	BULB, REAR COMBI(12V 21/5W)	1		15
3	35760HG5800	35760HG5800	35760HG5800	SOCKET ASS'Y, TAIL & STOP	1		
4	03241-05206	03241-05206	03241-05206	SCREW,REAR FENDER & REAR COMBI LO(M:	2		
5	02142-06165	02142-06165	02142-06165	SCREW,REAR FENDER & REAR COMBI UP(M:	2		10

FIG.25

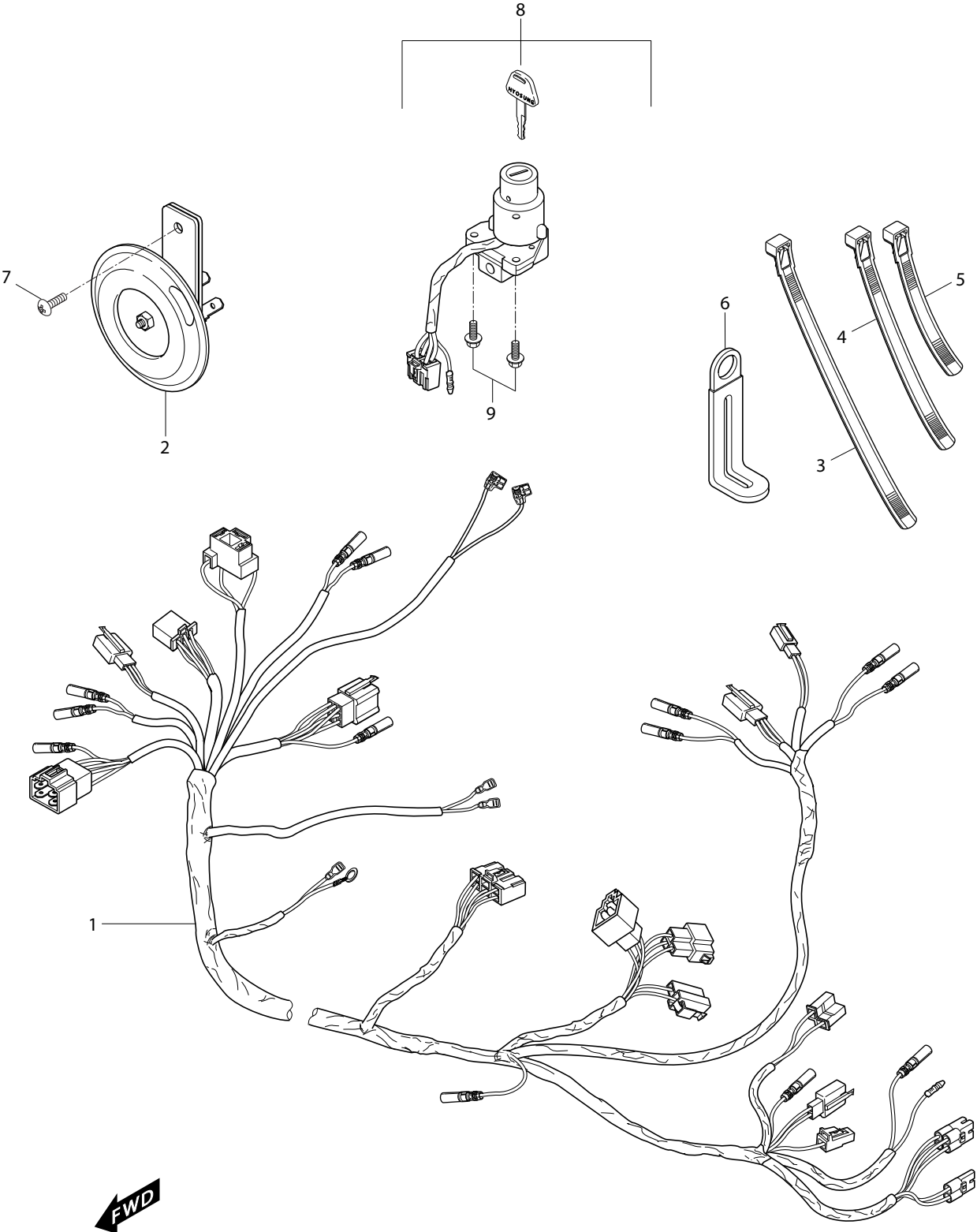


FIG 25. WIRING HARNESS & HORN

REF. NO.	PARTS NO. 7EG01	7EU01/7F01/7G01/7S01/7SA01	7EN01	PARTS NAME	Q'TY	REMARKS	REC.Q'TY (PCS)
1	36610HR7900	36610HR7950	36610HR7950	WIRING HARNESS	1		5
2	38500HG5850	38500HG5850	38500HG5850	HORN ASS'Y	1		5
3	09407-254A1	09407-254A1	09407-254A1	CLAMP, WIRING HARNESS	1		
4	09407-22402	09407-22402	09407-22402	CLAMP, WIRING HARNESS	1		
5	09407-14403	09407-14403	09407-14403	CLAMP, WIRING HARNESS	4		
6	09407-11401	09407-11401	09407-11401	CLAMP, WIRING HARNESS	5		
7	02112-36128	02112-36128	02112-36128	BOLT, HORN(M6*12)	2		
8	37100H93B30	37100H93B30	37100H93B30	LOCK ASS'Y, STEERING	1		5
9	01517-06168	01517-06168	01517-06168	BOLT, STEERING LOCK(M6*20)	1		10
9-1	09139H06016	09139H06016	09139H06016	SCREW, STEER LOCK	1		
10	09407-11401	09407-11401	09407-11401	CLAMP, WIRING HARNESS	3		

FIG.26

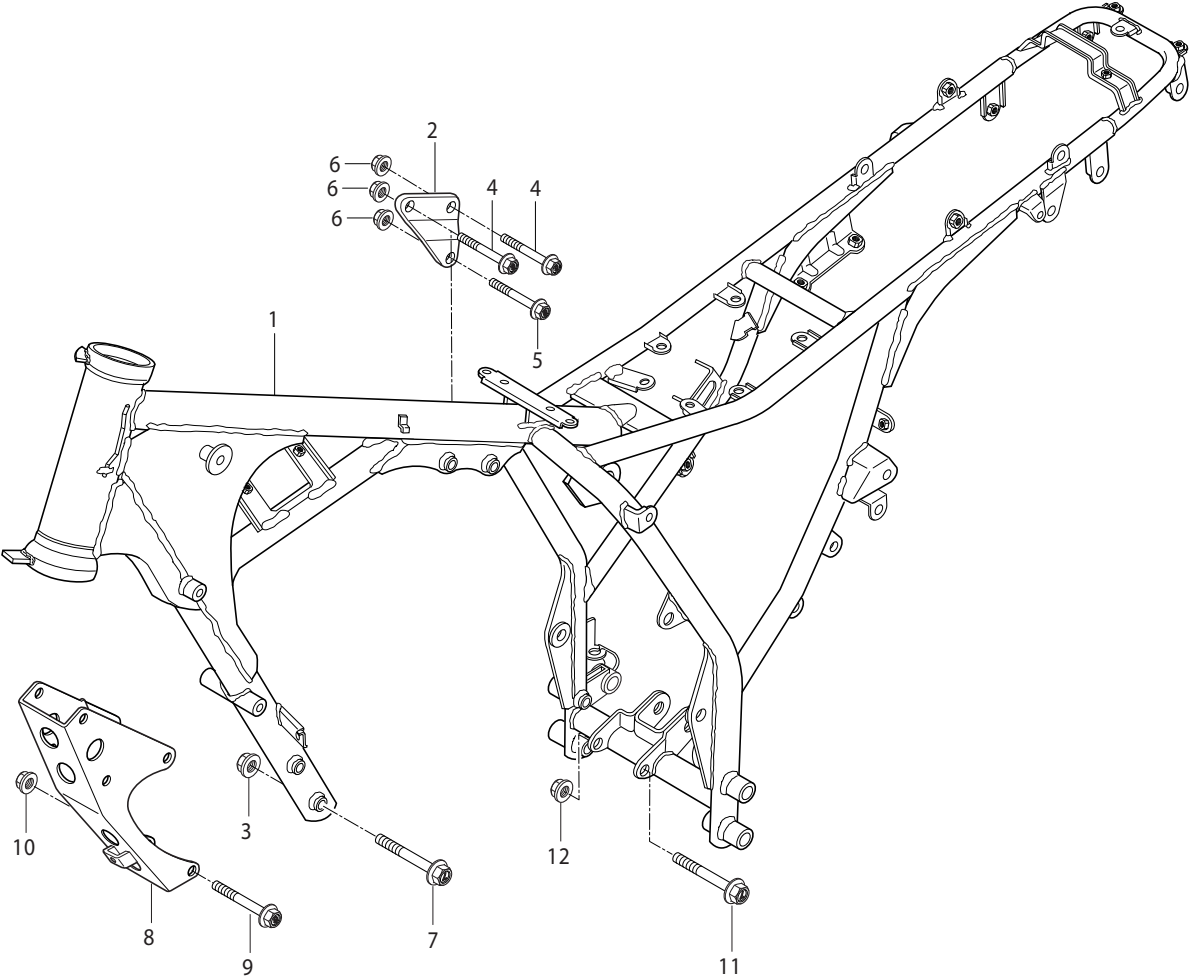


FIG 26. FRAME

REF. NO.	PARTS NO. 7EG01	7EU01/7F01/7G01/7S01/7SA01	7EN01	PARTS NAME	Q'TY	REMARKS	REC.Q'TY (PCS)
1	41100H7580003P	41100H7580003P	41100H7580003P	FRAME COMP	1		2
2	41993HR790003P	41993HR790003P	41993HR790003P	PLATE, ENGINE MTG UPPER RH	1		5
3	41994HG580103P	41994HG580103P	41994HG580103P	PLATE, ENGINE MTG UPPER LH	1		5
4	01517-08608	01517-08608	01517-08608	BOLT, E/G MTG UPPER PLATE & FRAME(M8*	2		10
5	01517-08508	01517-08508	01517-08508	BOLT, E/G MTG UPPER PLATE & ENGINE(M8*	1		
6	08319-31088	08319-31088	08319-31088	NUT, ENGINE MTG UPPER PLATE(M8)	3		
7	01517-08658	01517-08658	01517-08658	BOLT, E/G MTG LOW BRACKETT & FRAME N	2		
8	41990HG580103P	41990HG580103P	41990HG580103P	BRACKET COMP, ENGINE MOUNTING LOWE	1		5
9	09103H10149	09103H10149	09103H10149	BOLT, E/G MTG LOW BRACKETT & ENGINE (2		10
10	08319-31108	08319-31108	08319-31108	NUT, E/G MTG LOW BRACKETT & ENGINE (M	2		
11	09103-08010	09103-08010	09103-08010	BOLT, ENGINE MTG REAR (L=88)	1		
12	08319-31088	08319-31088	08319-31088	NUT, ENGINE MOUNTING REAR(M8)	1		
13	42511HG5850	42511HG5850	42511HG5850	GUARD, ENGINE	1		
14	02142-06125	02142-06125	02142-06125	SCREW, ENGINE GUARD(M6*12)	3		
15	09169-06034	09169-06034	09169-06034	WASHER, ENGINE GUARD	3		
16	08319-31088	08319-31088	08319-31088	NUT, E/G MTG LOW BRACKETT & FRAME (M	2		
17	41140HG580303P	41140HG580303P	41140HG580303P	TUBE COMP, down	1		

FIG.27

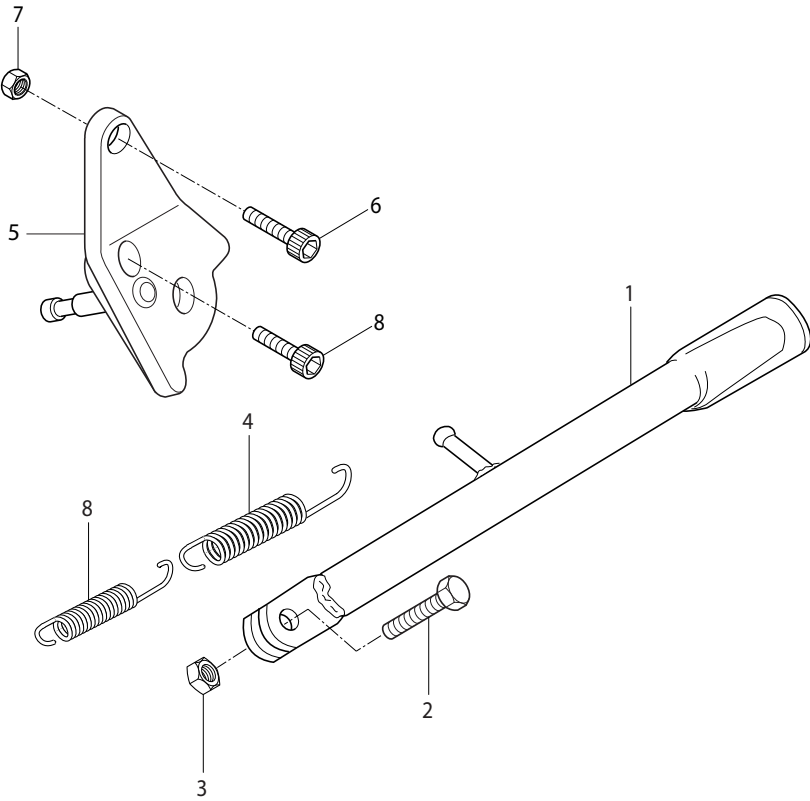


FIG 27. PROP STAND

REF. NO.	PARTS NO. 7EG01	7EU01/7F01/7G01/7S01/7SA01	7EN01	PARTS NAME	Q'TY	REMARKS	REC.Q'TY (PCS)
1	42310H75801	42310H75801	42310H75801	STAND COMP, PROP	1		5
2	09100-10031	09100-10031	09100-10031	BOLT, PROP STAND(M10*30)	1		
3	08313-11107	08313-11107	08313-11107	NUT, PROP STAND(M10)	1		
4	09443H14037	09443H14037	09443H14037	SPRING,PROP STAND	1		
5	42340HG580103P	42340HG585103P	42340HG585103P	BRACKET COMP,PROP STAND	1		5
6	07110-08258	07110-08258	07110-08258	BOLT, PROP STAND & BRACKETT UPPER(M8	2		
7	08319-31088	08319-31088	08319-31088	NUT,PROP STAND & BRACKET BOLT UPPER(2		
8	09443-06001	09443-06001	09443-06001	SPRING, prop stand inner	1		10

FIG.28

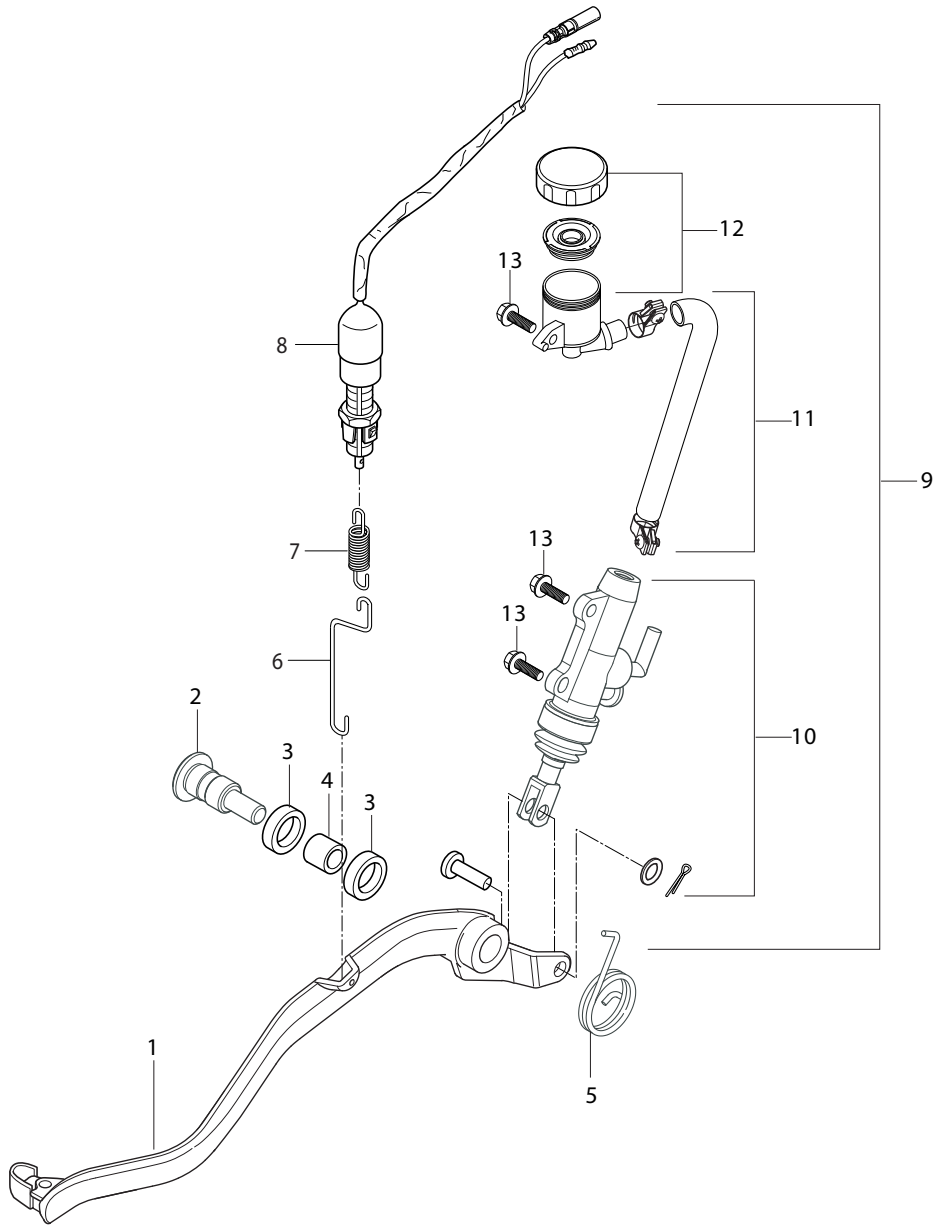


FIG 28. REAR BRAKE

REF. NO.	PARTS NO. 7EG01	7EU01/7F01/7G01/7S01/7SA01	7EN01	PARTS NAME	Q'TY	REMARKS	REC.Q'TY (PCS)
1	43100H75801	43100H75801	43100H75801	PEDAL ASS'Y, brake	1		5
2	43112HP8900	43112HP8900	43112HP8900	BOLT, brake pedal	1		5
3	09284H16007	09284H16007	09284H16007	OIL SEAL,brake pedal	1		
4	43114HP8900	43114HP8900	43114HP8900	BOSS, brake pedal	1		
5	09448H30002	09448H30002	09448H30002	SPRING, brake pedal return	1		
6	43113H75801	43113H75801	43113H75801	ROD, brake pedal switch	1		
7	09443H06006	09443H06006	09443H06006	SPRING, stop lamp switch	1		
8	37740-04502	37740-04502	37740-04502	SWITCH ASS'Y, rear stop lamp	1		
9	69609H75800	69609H75800	69609H75800	CYLINDER SET, rear master	1		
10	69600H75800	69600H75800	69600H75800	CYLINDER ASS'Y, rear master	1		5
11	69480H75800	69480H75800	69480H75800	HOSE ASS;Y reserver tank	1		
12	69740HP8900	69740HP8900	69740HP8900	TANK ASS'Y, reserver	1		
13	01547-06148	01547-06148	01547-06148	BOLT, rear master cylinder	1		5

FIG 29

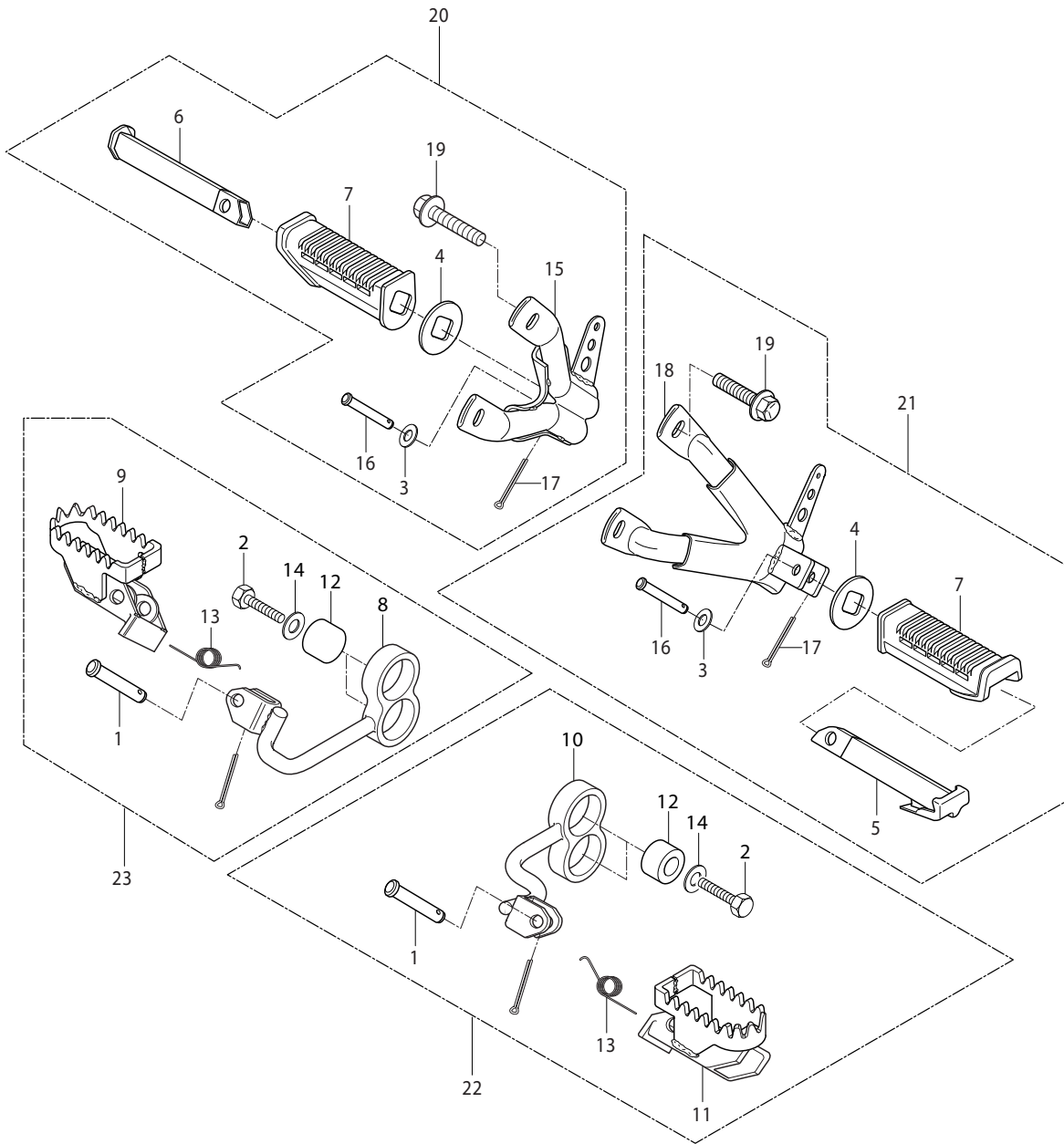


FIG 29. FOOTREST BAR

REF. NO.	PARTS NO. 7EG01	7EU01/7F01/7G01/7S01/7SA01	7EN01	PARTS NAME	Q'TY	REMARKS	REC.Q'TY (PCS)
1	09200-10008	09200-10008	09200-10008	PIN, FRONT FOOTREST	2		20
2	09116H10061	09116H10061	09116H10061	BOLT, FRONT FOOTREST BRACKT	4		
3	08322-21068	08322-21068	08322-21068	WASHER, PILLION FOOTREST PIN	2		
4	43631-34A00	43631-34A00	43631-34A00	WASHER, PILLION FOOTREST RUBBER	2		20
5	43710-12B01	43710-12B01	43710-12B01	BAR COMP, PILLION FOOTREST L	1		5
6	43610-12B01	43610-12B01	43610-12B01	BAR COMP, PILLION FOOTREST R	1		5
7	43551-29B21	43551-29B21	43551-29B21	RUBBER.PILLION FOOTREST	2		
8	43510HG5801	43510HG5801	43510HG5801	BAR COMP, FRONT FOOTREST R	1		
9	43550HG5800	43550HG5800	43550HG5800	FOOTREST COMP,FRONT R	1		5
10	43520HG5801	43520HG5801	43520HG5801	BAR COMP, FRONT FOOTREST L	1		
11	43560HG5800	43560HG5800	43560HG5800	FOOTREST COMP,FRONT L	1		5
12	09319-10033	09319-10033	09319-10033	BUSH, FRONT FOOTREST	4	NOT SALE	
13	09448H16001	09448H16001	09448H16001	SPRING,FRONT FOOTREST	2		
14	08322-21108	08322-21108	08322-21108	WASHER,FRONT FOOTREST	4		
15	43650HG580003P	43650HG580003P	43650HG580003P	BRACKET COMP, PILLION FOOTREST R	1		
16	09200H06057	09200H06057	09200H06057	PIN, FILLION FOOTREST	2		
17	04111-20208	04111-20208	04111-20208	COTTER PIN, PILLION FOOTREST	2		
18	43750HG580003P	43750HG580003P	43750HG580003P	BRACKET COMP, PILLION FOOTREST L	1		
19	01517-08168	01517-08168	01517-08168	BOLT, PILLION FOOTREST BRACKET(M8*16)	4		
20	43650HG5800HPA	43650HG5800HPA	43650HG5800HPA	BRACKET PILLION R ASS'Y	1		5
21	43750HG5800HPA	43750HG5800HPA	43750HG5800HPA	BRACKET PILLION L ASS'Y	1		5
22	43520HG5801HPA	43520HG5801HPA	43520HG5801HPA	BAR FOOTREST L ASS'Y	1		5
23	43510HG5801HPA	43510HG5801HPA	43510HG5801HPA	BAR FOOTREST R ASS'Y	1		5

FIG.30

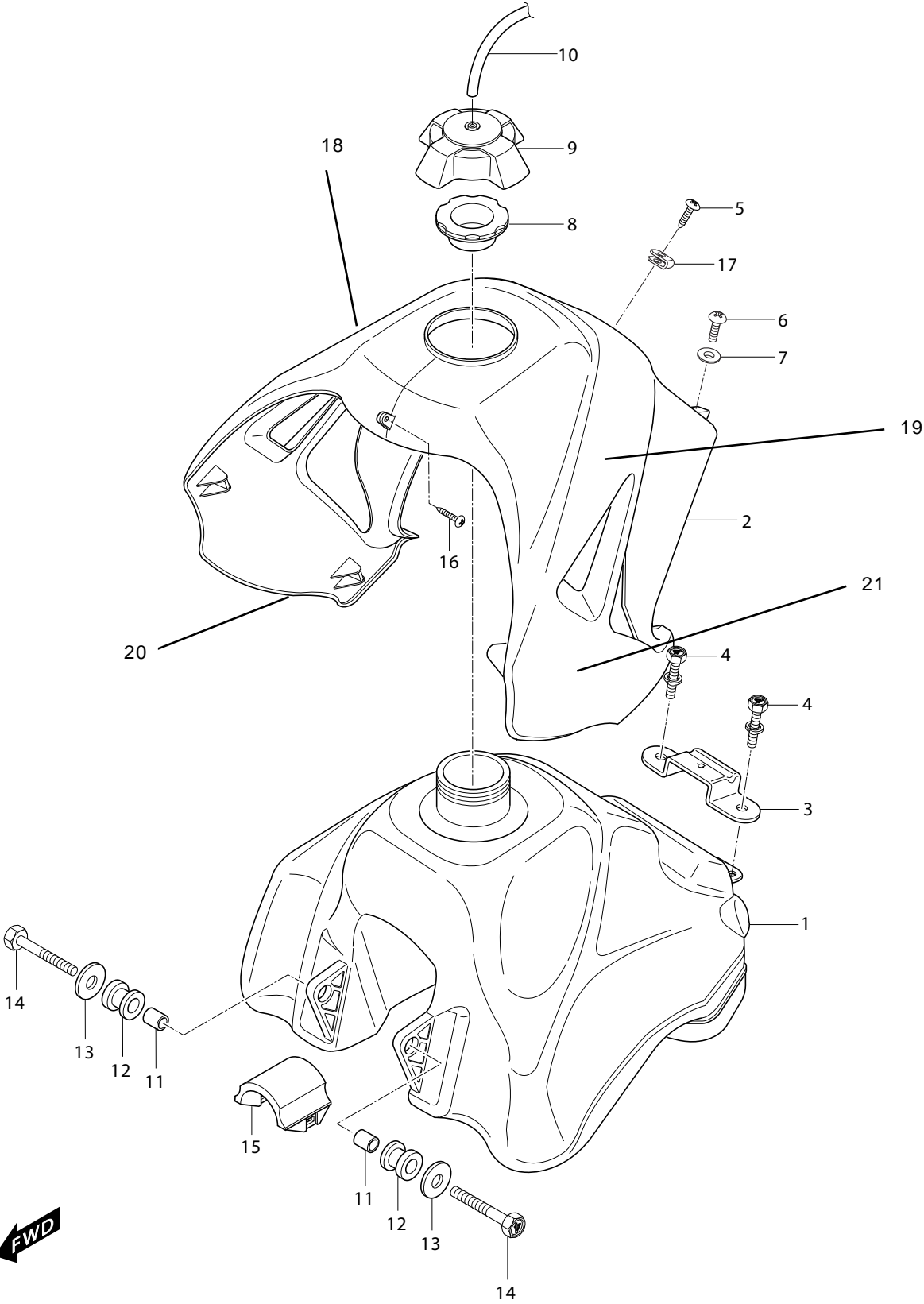


FIG 30. FUEL TANK

REF. NO.	PARTS NO. 7EG01	7EU01/7F01/7G01/7S01/7SA01	7EN01	PARTS NAME	Q'TY	REMARKS	REC.Q'TY (PCS)
1	44110HR7900PAH	44110HR7900PAH	44110HR7900PAH	TANK COMP, FUEL	1		3
2	44500H75850	44500H75850	44500H75850	COVER ASS'Y, FUEL(0BK, 0OE)	1		3
		44500H75870		COVER ASS'Y, FUEL(0BK, 0OE) for only 7G01	1		3
		44500H75880		COVER ASS'Y, FUEL(0BK, 0OE) for only 7S01	1		3
		44500H75890		COVER ASS'Y, FUEL(0BK, 0OE) for only 7F01	1		3
3	45119HG5800	45119HG5800	45119HG5800	PLATE, seat front hook	1		3
4	01137-06208	01137-06208	01137-06208	BOLT, fuel tank R/R	2		6
5	03241-15125	03241-15125	09180H06067	SCREW, fuel tank cover R/R	1		6
6	02142-06125	02142-06125	02142-06125	SCREW, fuel tank cover	2		
7	09169-06034	09169-06034	09169-06034	WASHER, fuel tank cover	2		
8	44248-05210	44248-05210	44248-05210	GASKET, fuel tank filter cap	1		10
9	44210HG5801	44210HG5801	44210HG5801	CAP ASSY, fuel tank filter	1		10
10	09343-05052	09343-05052	09343-05052	HOSE, fuel tank brth L=580	1		5
11	09180H06069	09180H06069	09180H06069	SPACER, fuel tank front	2		
12	09320H10038	09320H10038	09320H10038	CUSHION, fuel tank front	2		
13	09160-06004	09160-06004	09160-06004	WASHER, fuel tank front	2		
14	01104-06258	01104-06258	01104-06258	BOLT, fuel tank front	2		
15	44541HG5800	44541HG5800	44541HG5800	CUSHION, fuel tank upper	1		
16	03241-15125	03241-15125	03241-15125	SCREW, fuel tank cover front	1		
17	09148-05004	09148-05004	09148-05004	NUT, fuel tank cover R/R	1		
18	68124HR795017A	68124HR795017A	68124HR795017A	EMBLEM,FUEL TANK R 0BK			
	68124HR795011B	68124HR795011B	68124HR795011B	EMBLEM,FUEL TANK R 0OE			
19	68126HR795017A	68126HR795017A	68126HR795017A	EMBLEM,FUEL TANK L 0BK			
	68126HR795011B	68126HR795011B	68126HR795011B	EMBLEM,FUEL TANK L 0OE			
20	68114HR79500B2	68114HR79500B2	68114HR79500B2	EMBLEM,FUEL TANK R 0BK	1		
	68114HR79500B1	68114HR79500B1	68114HR79500B1	EMBLEM,FUEL TANK R 0OE	1		
21	68116HR79500B2	68116HR79500B2	68116HR79500B2	EMBLEM,FUEL TANK L 0BK	1		
	68116HR79500B1	68116HR79500B1	68116HR79500B1	EMBLEM,FUEL TANK L 0OE	1		
22	68319H05350PL	68319H05350PL	68319H05350PL	PLATE, caution	1		
		68319H05370PL		PLATE, caution for only 7G01	1		
		68319H05380PL		PLATE, caution for only 7S01	1		
		68319H05390PL		PLATE, caution for only 7F01	1		

FIG.31

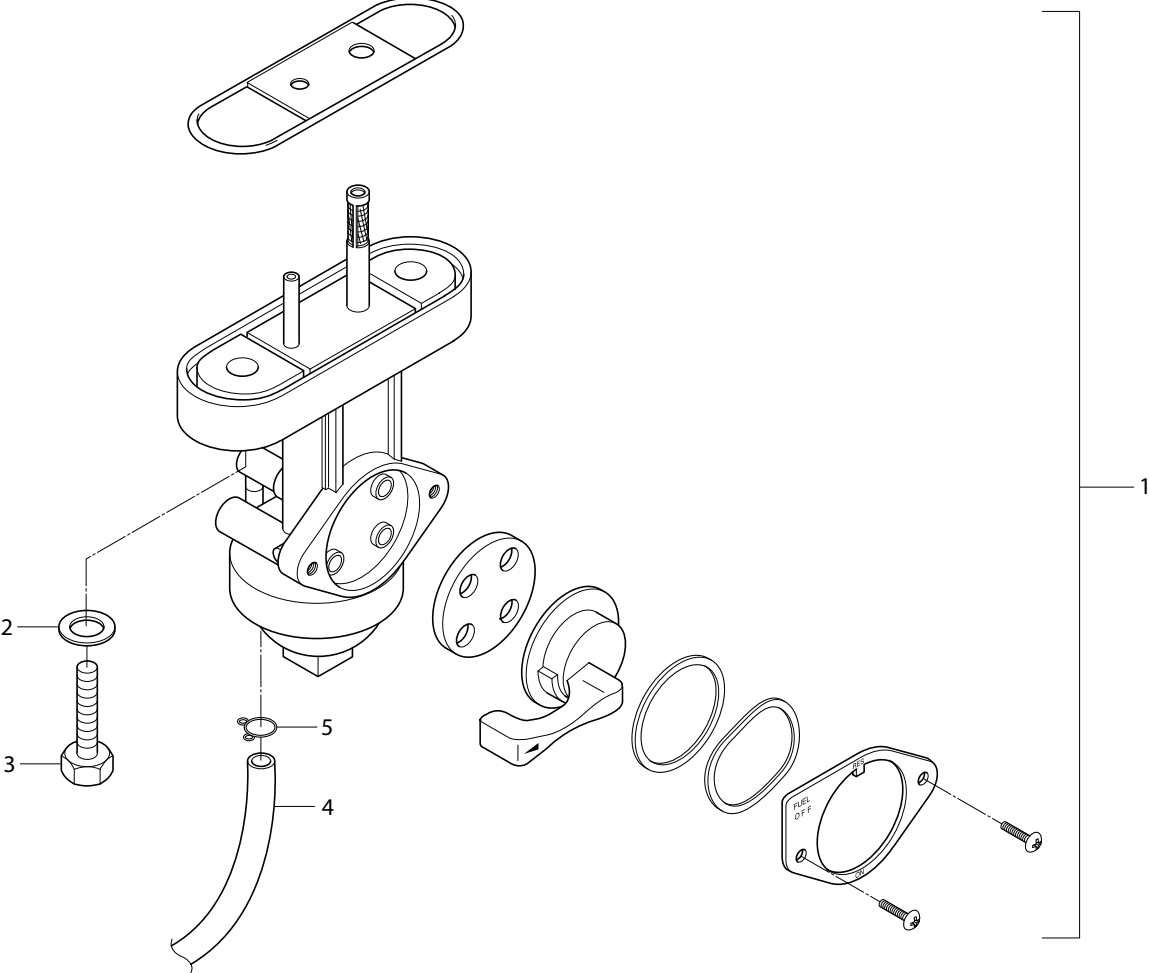


FIG 31. FUEL COCK

REF. NO.	PARTS NO. 7EG01	7EU01/7F01/7G01/7S01/7SA01	7EN01	PARTS NAME	Q'TY	REMARKS	REC.Q'TY (PCS)
1	44300HG5802	44300HG5802	44300HG5802	COCK ASS'Y, FUEL	1		10
2	09168-06010	09168-06010	09168-06010	GASKET, FUEL COCK	2		10
3	01547-06148	01547-06148	01547-06148	BOLT, FUEL COCK	2		
4	44191HG5800	44191HG5800	44191HG5800	HOSE,FUEL (L=140)	1		5
5	09401-08401	09401-08401	09401-08401	CLIP, FUEL HOSE	1		5

FIG.32

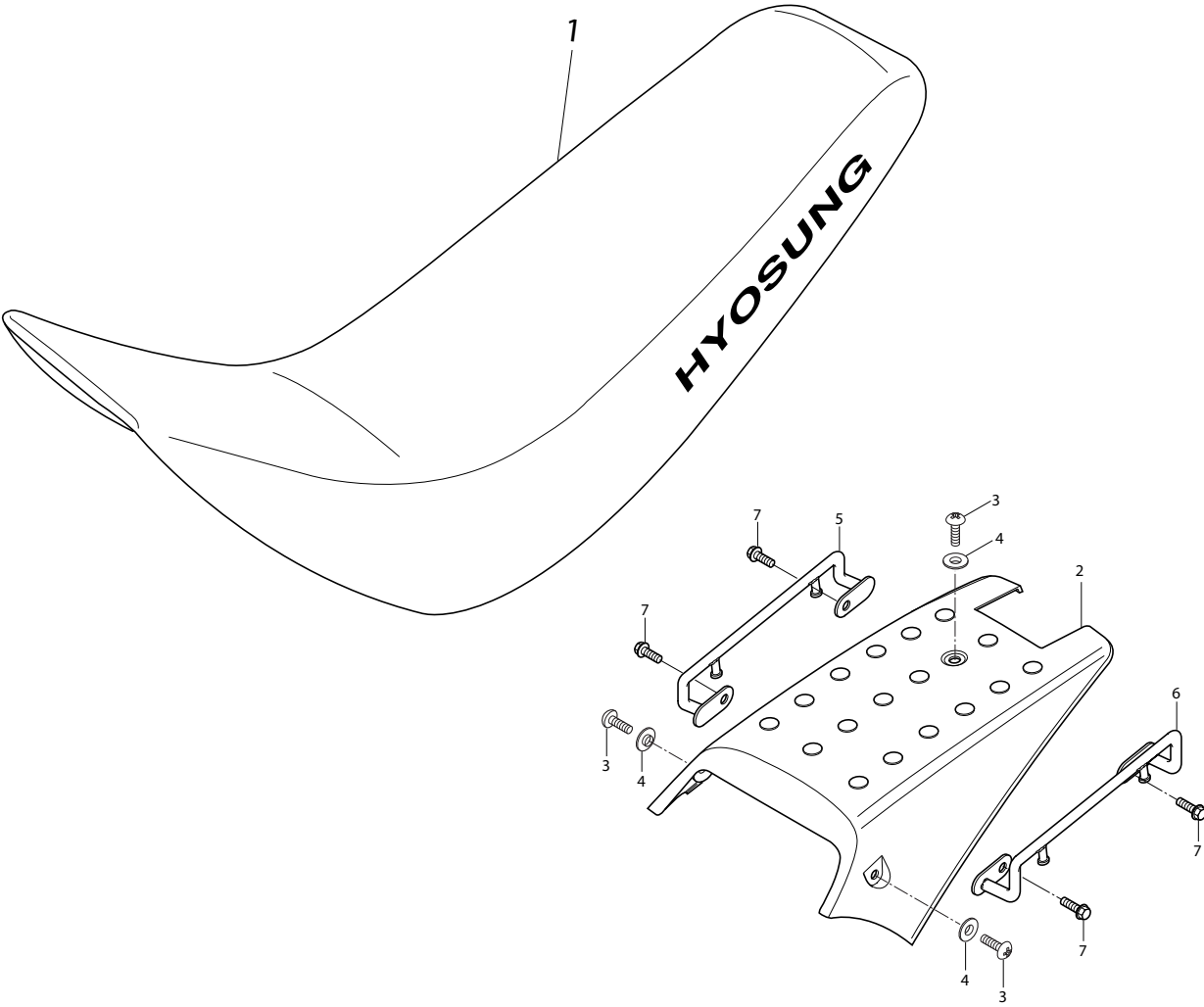


FIG 32. SEAT & SEAT TAIL COVER

REF. NO.	PARTS NO. 7EG01	7EU01/7F01/7G01/7S01/7SA01	7EN01	PARTS NAME	Q'TY	REMARKS	REC.Q'TY (PCS)
1	45100HG5804LO4	45100HG5804LO4	45100HG5804LO4	SEAT SET (CLOOR :SBK)	1		5
	45100HG5804LO5	45100HG5804LO5	45100HG5804LO5	SEAT SET (CLOOR :SOE)	1		5
2	45511HR7900	45511HR7900	45511HR7900	COVER, SEAT TAIL (COLOR: 0BK, 0OE)	1		5
3	02142-06125	02142-06125	02142-06125	SCREW, SEAT TAIL COVER(M6*12)	3		
4	09169-06034	09169-06034	09169-06034	WASHER, SEAT TAIL COVER	3		
5	46210HG580103P	46210HG580103P	46210HG580103P	CARRIER COMP, REAR R	1		
6	46220HG580103P	46220HG580103P	46220HG580103P	CARRIER COMP, REAR L	1		
7	01517-08168	01517-08168	01517-08168	BOLT, REAR CARRIER(M8*16)	4		

FIG.33

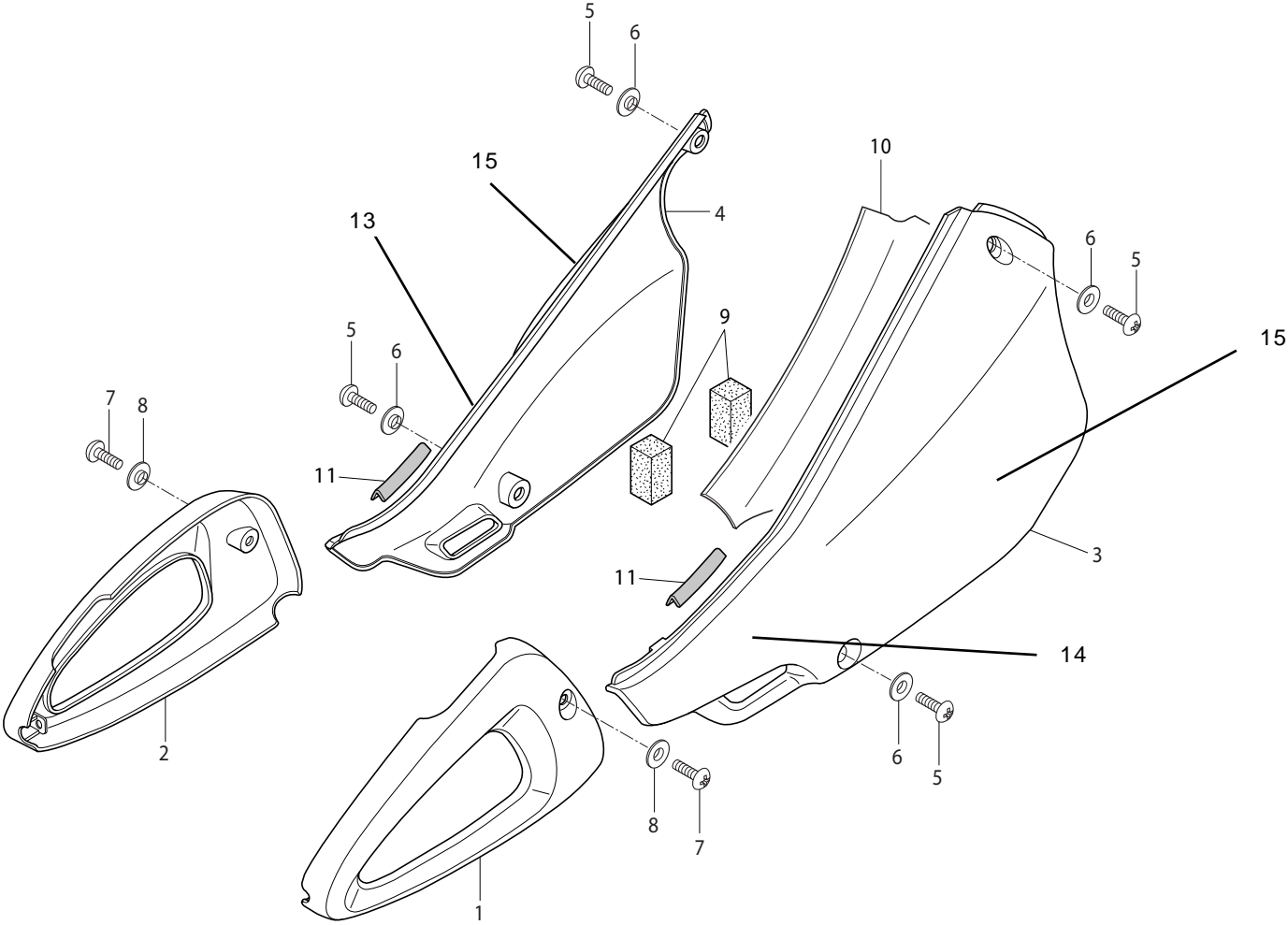


FIG 33. SIDE COVER

REF. NO.	PARTS NO. 7EG01	7EU01/7F01/7G01/7S01/7SA01	7EN01	PARTS NAME	Q'TY	REMARKS	REC.Q'TY (PCS)
1	47321HG580103P	47321HG580103P	47321HG580103P	COVER, FRAME FRONT L	1		5
2	47311HG580103P	47311HG580103P	47311HG580103P	COVER, FRAME FRONT R	1		5
3	47211HG585011B	47211HG585011B	47211HG585011B	COVER,SIDE L(COLOR:SBK) without sticker	1		5
	47211HG58502A0	47211HG58502A0	47211HG58502A0	COVER,SIDE L(COLOR:SOE) without sticker	1		5
4	47111HG585011B	47111HG585011B	47111HG585011B	COVER,SIDE R(COLOR:SBK) without sticker	1		5
	47111HG58502A0	47111HG58502A0	47111HG58502A0	COVER,SIDE R(COLOR:SOE) without sticker	1		5
5	02142-06125	02142-06125	02142-06125	SCREW, SIDE COVER(M6*12)	4		
6	09169-06034	09169-06034	09169-06034	WASHER, SIDE COVER	4		
7	02142-06125	02142-06125	02142-06125	SCREW, FRAME COVER(M6*12)	2		
8	09169-06034	09169-06034	09169-06034	WASHER, FRAME COVER	2		
9	47161HE6101	47161HE6101	47161HE6101	CUSHION, SIDE COVER RH	2		
10	47239HG5800	47239HG5800	47239HG5800	HEAT SHIELD, SIDE COVER LH	1		5
11	47161HG5801	47161HG5801	47161HG5801	MOLDING, SIDE COVER	2		
12	47239HG5800	47239HG5800	47239HG5800	HEAT,SHD S/COV L	1		
13	68314HR790017A	68314HR790017A	68314HR790017A	TAPE, SIDE COVER RH-SBK	1		5
	68314HR790011B	68314HR790011B	68314HR790011B	TAPE, SIDE COVER RH-SOE	1		5
14	68316HR790017A	68316HR790017A	68316HR790017A	TAPE, SIDE COVER LH-SBK	1		5
	68316HR790011B	68316HR790011B	68316HR790011B	TAPE, SIDE COVER LH-SOE	1		5
15	68310HR79700B3	68310HR79700B3	68310HR79700B3	EMBLEM,XRX-125SM	2		

FIG.34

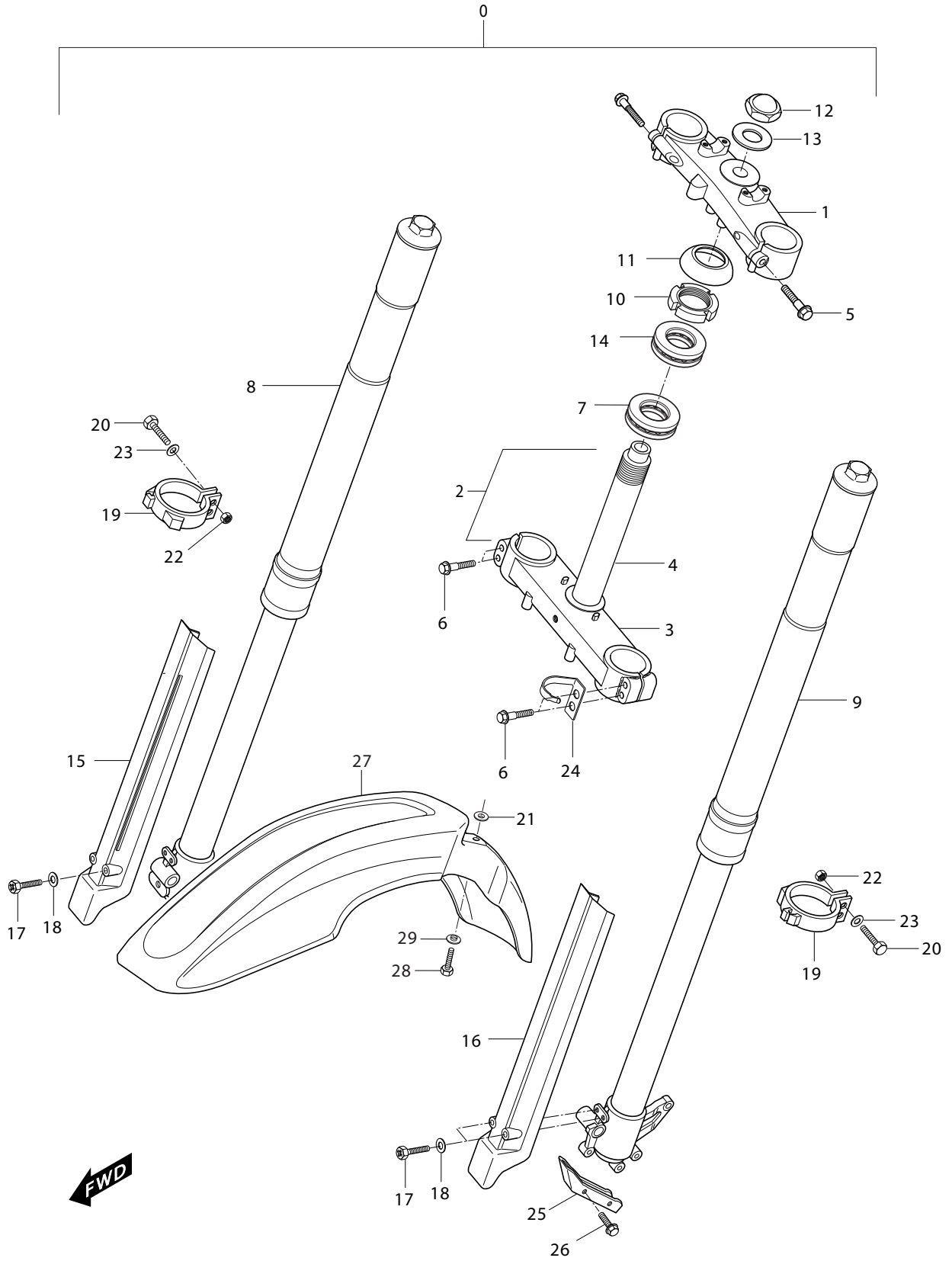
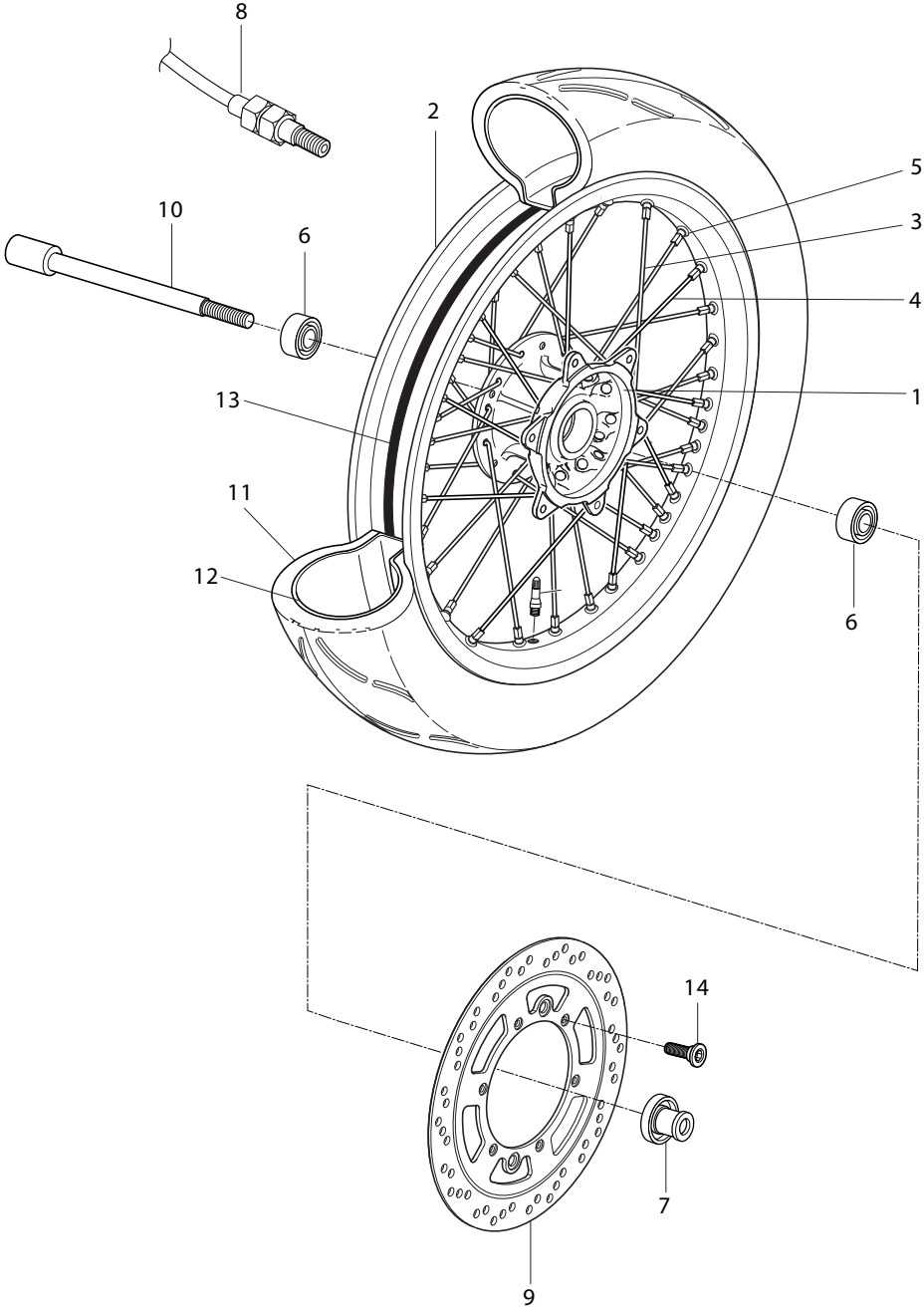


FIG 34. FRONT FORK & FENDER

REF. NO.	PARTS NO. 7EG01	7EU01/7F01/7G01/7S01/7SA01	7EN01	PARTS NAME	Q'TY	REMARKS	REC.Q'TY (PCS)
1	51311HG581303P	51311HG581303P	51311HG581303P	BRACKET, FRONT FORK UPPER	1		5
2	51412HG5800HPA	51412HG5800HPA	51412HG5800HPA	BRACKET COMP, FRONT FORK UNDER	1		5
3	51411HG581003P	51411HG581003P	51411HG581003P	BRACKET, FRONT FORK UPPER	1	NOT SALE	5
4	51412HG5811	51412HG5811	51412HG5811	STEERING, STEM	1	NOT SALE	
5	01517-10458	01517-10458	01517-10458	BOLT, FRONT FORK UPPER BRACKET(M10*4)	2		
6	01517-08468	01517-08468	01517-08468	BOLT, FRONT FORK UPPER BRACKET(M8*46)	4		
7	09265H25001	09265H25001	09265H25001	BEARING, STEERING LOWER	1		5
8	51103HG5801	51103HG5801	51103HG5801	DAMPER ASS'Y, FRONT FORK R	1		5
9	51104HR7900	51104HR7900	51104HR7900	DAMPER ASS'Y, FRONT FORK L	1		5
9-1	51255HG5800	51255HG5800	51255HG5800	FORK,oil seal	2		
10	51631-28000	51631-28000	51631-28000	NUT, STEERING STEM	1		
11	51643HG5801	51643HG5801	51643HG5801	DUST SEAL, STEERING UPPER	1		5
12	09159H22001	09159H22001	09159H22001	NUT, STEERING UPPER	1		5
13	09160H22031	09160H22031	09160H22031	WASHER, STEERING UPPER	1		
14	09265H28001	09265H28001	09265H28001	BRARING, STEERING UPPER	1		5
15	51201HG580011B	51201HG580011B	51201HG580011B	PROTECTOR, FRONT FORK R(SBK)	1	without sticker	5
	51201HG58002A0	51201HG58002A0	51201HG58002A0	PROTECTOR, FRONT FORK R(SOE)	1	without sticker	5
16	51202HG580011B	51202HG580011B	51202HG580011B	PROTECTOR, FRONT FORK L(SBK)	1	without sticker	5
	51202HG58002A0	51202HG58002A0	51202HG58002A0	PROTECTOR, FRONT FORK L(SOE)	1	without sticker	5
17	02142-05125	02142-05125	02142-05125	SCREW, FRONT FORK PROTECTOR(M5*12)	4		
18	09169-05008	09169-05008	09169-05008	WASHER, FRONT FORK PROTECTOR	4	NOT SALE	
19	51210HG5801	51210HG5801	51210HG5801	GUIDE, FRONT FORK PROTECTOR	2		10
20	02112-05258	02112-05258	02112-05258	SCREW, GUIDE PROTECTOR(M5*25)	4		8
21	09169-06053	09169-06053	09169-06053	WASHER, FRONT FENDER	1		
22	08316-26055	08316-26055	08316-26055	NUT, GUIDE PROTECTOR(M5)	4		
23	08322-21058	08322-21058	08322-21058	WASHER, GUIDE PROTECTOR SCREW	4		
24	59266HG5800	59266HG5800	59266HG5800	CLAMP, BRAKE HOSE NO.1	1		5
25	59268HG5801	59268HG5801	59268HG5801	CLAMP, BRAKE HOSE NO.3	1		5
26	01517-06125	01517-06125	01517-06125	BOLT, HOSE CLAMP NO.3(M6*12)	2		
27	53111H75800	53111H75800	53111H75800	FENDER, FRONT (0BK, 0OE)	1		5
28	01104-06208	01104-06208	01104-06208	BOLT, FRONT FENDER(M6*20)	4		

FIG.35



FWD

FIG 35. FRONT WHEEL

REF. NO.	PARTS NO. 7EG01	7EU01/7F01/7G01/7S01/7SA01	7EN01	PARTS NAME	Q'TY	REMARKS	REC.Q'TY (PCS)
1	54110H75801	54110H75801	54110H75801	HUB,FRONT WHEEL	1		
2	55311H75850	55311H75850	55311H75850	RIM, FRONT WHEEL	1		5
3	55321H75800	55321H75800	55321H75800	SPOKE, FRONT WHEEL INNER	18		
4	55322H75800	55322H75800	55322H75800	SPOKE, FRONT WHEEL OUTER	18		
5	55325HM5400	55325HM5400	55325HM5400	NIPPLE, WHEEL SPOKE	36		
6	08123-62027	08123-62027	08123-62027	BEARING, FRONT HUB	2		
7	54731H75801	54731H75801	54731H75801	SPACER , front hub inner	1		5
8	34860HR7900	34860HR7900	34860HR7900	SENSOR ASSY, speedometer	1		3
9	59211H75800	59211H75800	59211H75800	DISK, front brake	1		3
10	54711HG5810	54711HG5810	54711HG5810	AXLE, front	1	NOT SALE	
11	55101H75800	55101H75800	55101H75800	TIRE SET, front(110/70-17-58H)	1		5
12	55200H75800	55200H75800	55200H75800	TUBE ASSY, front wheel inner	1		5
13	55261H75800	55261H75800	55261H75800	PROTECTOR, front wheel inner	1		5
14	59421-03A01	59421-03A01	59421-03A01	BOLT, front disc	4		

FIG.36

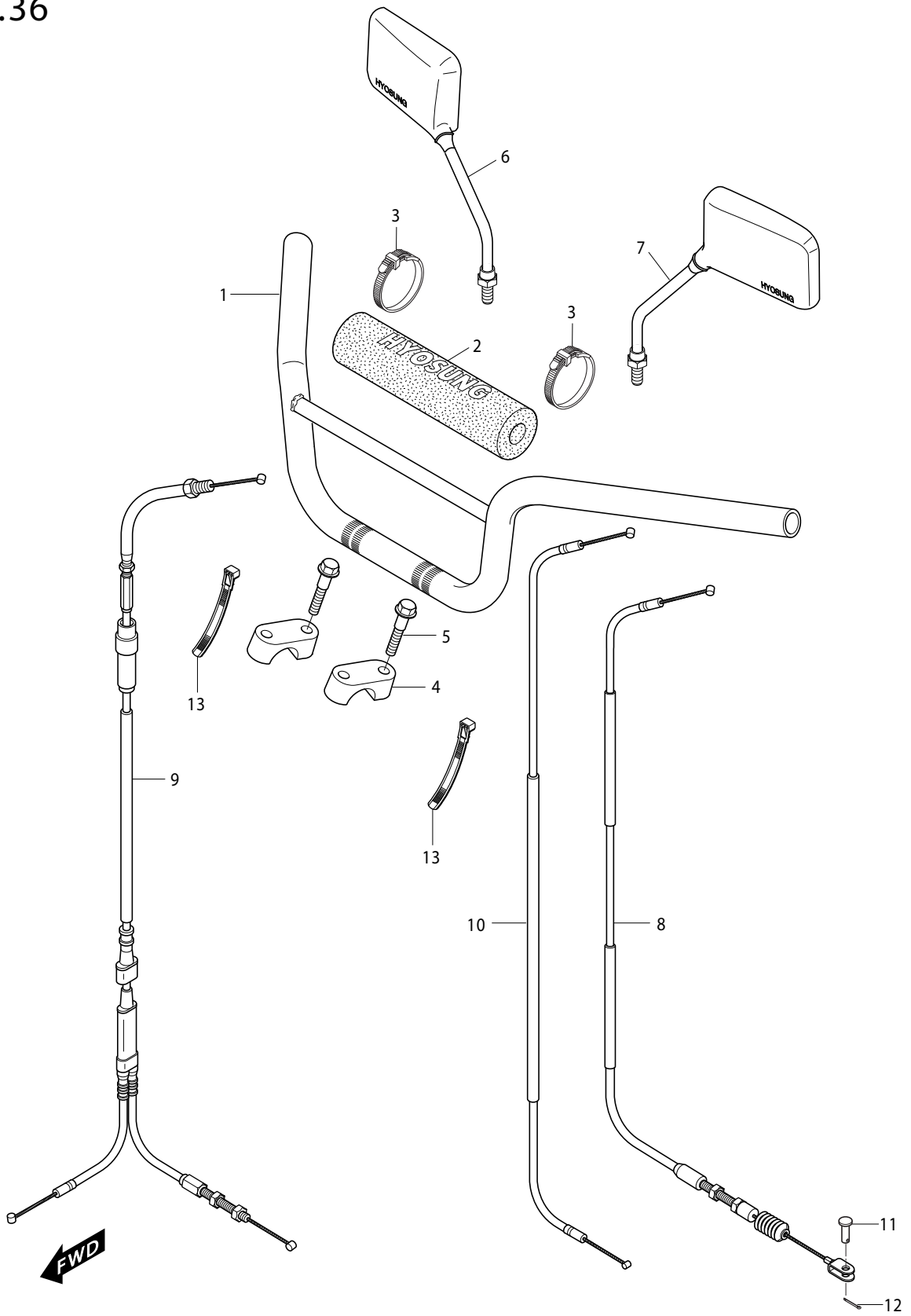


FIG 36. HANDLE BAR

REF. NO.	PARTS NO. 7EG01	7EU01/7F01/7G01/7S01/7SA01	7EN01	PARTS NAME	Q'TY	REMARKS	REC.Q'TY (PCS)
1	56110HG5856PAM	56110HG5856PAM	56110HG5856PAM	HANDLE BAR COMP	1		2
2	56172HG5800	56172HG5800	56172HG5800	PAD CROSSBAR	1		25
3	09407-18401	09407-18401	09407-18401	BAND, CROSSBAR PAD	2		
4	56211-272A0	56211-272A0	56211-272A0	HOLDER, HANDLEBAR	2		10
5	01517-08355	01517-08355	01517-08355	BOLT,HANDLEBAR HOLDER(M8*35)	4		20
6	56500HM5450	56500HM5450	56500HM5450	MIRROR ASSY,REAR VIEW R	1		
7	56600HM5450	56600HM5450	56600HM5450	MIRROR ASSY,REAR VIEW L	1		
8	58200HR7900	58200HR7900	58200HR7900	CABLE ASSY, CLUTCH	1		5
9	58300HG5805	58300HG5805	58300HG5805	CABLE ASSY, THROTTLE	1		5
10	58410HG5808	58410HG5808	58410HG5808	CABLE ASS'Y, STARTER	1		5
11	09200-06004	09200-06004	09200-06004	PIN CLUTCH CABLE	1		
12	04111-20158	04111-20158	04111-20158	COTTER PIN, CLUTCH	1		10
13	09407-14403	09407-14403	09407-14403	CLAMP, HANDLE SWITCH HARNESS	2		
14	56501HM5450	56501HM5450	56501HM5450	MIRROR SET	1		
15	56271HF4501PLA	56271HF4501PLA	56271HF4501PLA	BALANCER, handle bar	2		
16	07110-08258	07110-08258	07110-08258	BOLT, handle bar balancer	2		

FIG.37

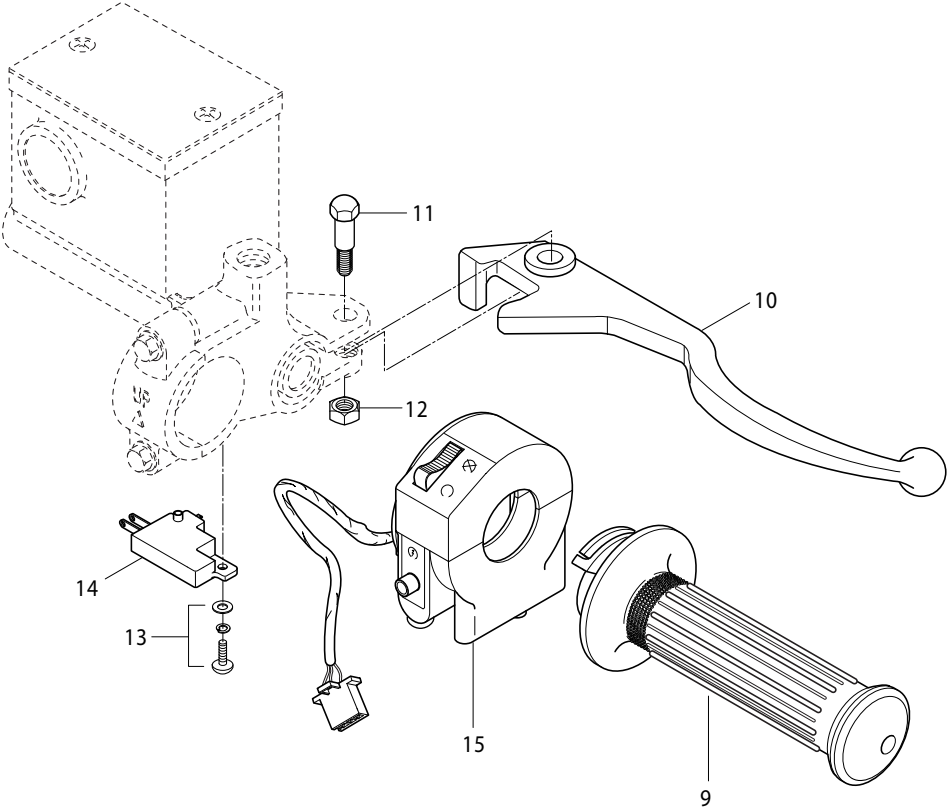
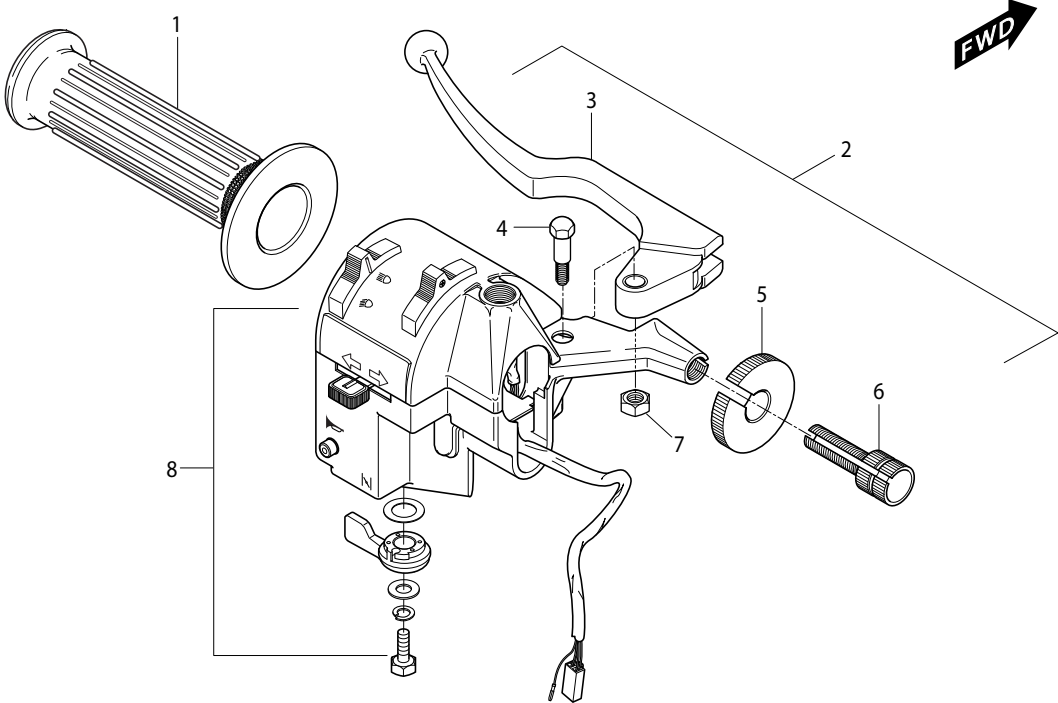
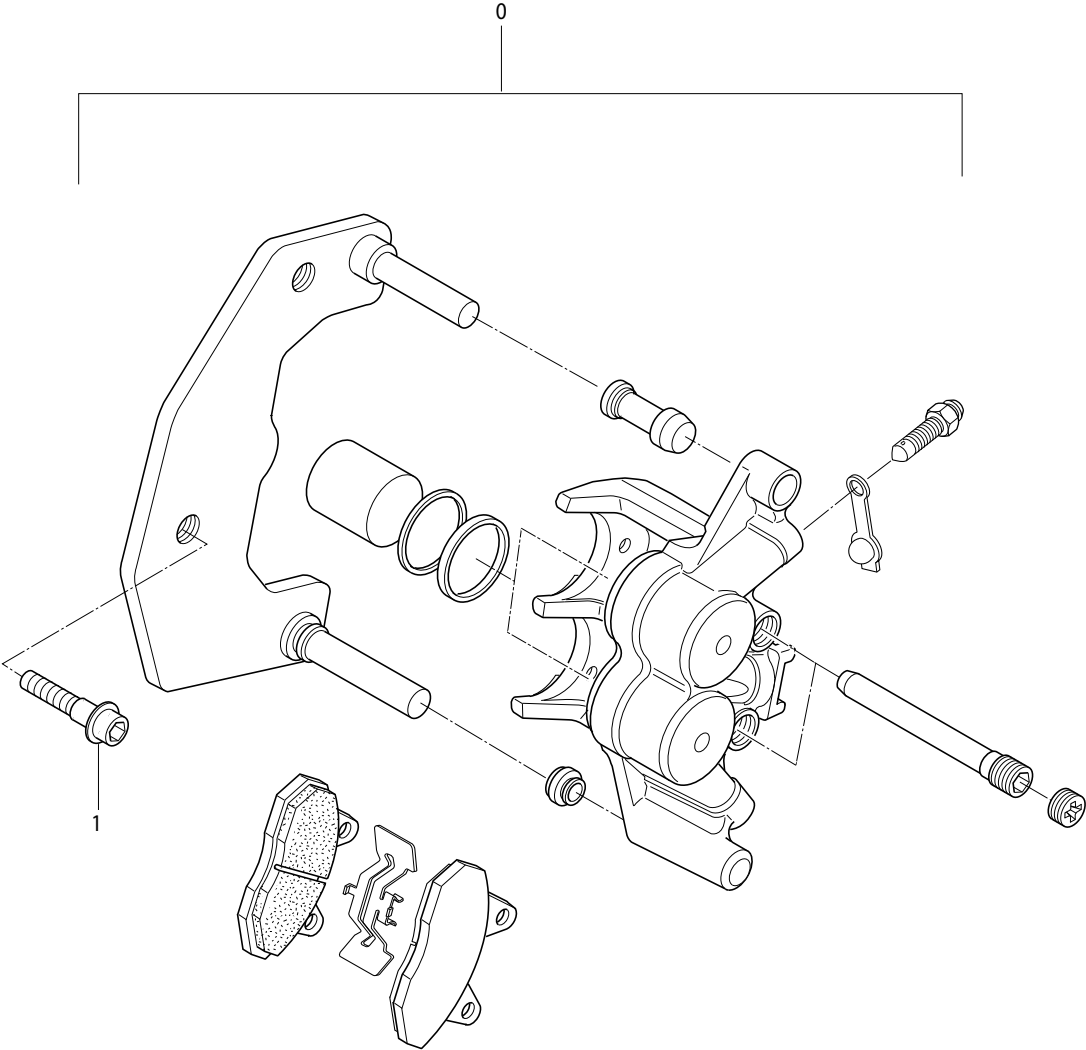


FIG 37. HANDLE SWITCH

REF. NO.	PARTS NO. 7EG01	7EU01/7F01/7G01/7S01/7SA01	7EN01	PARTS NAME	Q'TY	REMARKS	REC.Q'TY (PCS)
1	57211HG5800	57211HG5800	57211HG5800	GRIP, L	1		5
2	57500HG5801	57500HG5801	57500HG5801	LEVER ASS'Y, clutch	1		
3	57620HG5800	57620HG5800	57620HG5800	LEVER COMP,clutch	1	NOT SALE	
4	57531HN9100	57531HN9100	57531HN9100	LEVER, set bolt	1		
5	57442-11010	57442-11010	57442-11010	LOCK NUT	1		
6	51411-26010	51411-26010	51411-26010	WIRE, adjust	1		5
7	08319-21065	08319-21065	08319-21065	NUT, clutch lever	1		5
8	37400H35C10	37400H35C10	37400H35C10	SWITCH ASSY, handle L	1		
9	57110HG5803	57110HG5803	57100HG5803	GRIP comp, throttle	1	NOT SALE	5
10	57421HN3202	57421HN3202	57421HN3202	BRAKE LEVER	1		
11	57431H05D00	57431H05D00	57431H05D00	BOLT, brake lever pivot	1		5
12	08319-21065	08319-21065	08319-21065	NUT, brake lever pivot	1		
13	02112-74108	02112-74108	02112-74108	SCREW, stop switch	1		
14	57460-17C00	57460-17C00	57460-17C00	SWITCH ASSY, stop	1		10
15	37200HM5401	37200HM5451	37200HM5451	SWITCH ASSY, handle R	1		

FIG.38



FWD

FIG 38. CALIPER

REF. NO.	PARTS NO. 7EG01	7EU01/7F01/7G01/7S01/7SA01	7EN01	PARTS NAME	Q'TY	REMARKS	REC.Q'TY (PCS)
0	59300H75800	59300H75800	59300H75800	CALIPER ASS'Y, FRONT	1		5
1	07120-08308	07120-08308	07120-08308	BOLT,CALIPER	2		
2	59301HP9500	59301HP9500	59301HP9500	PAD, SET	1		

FIG.38-1

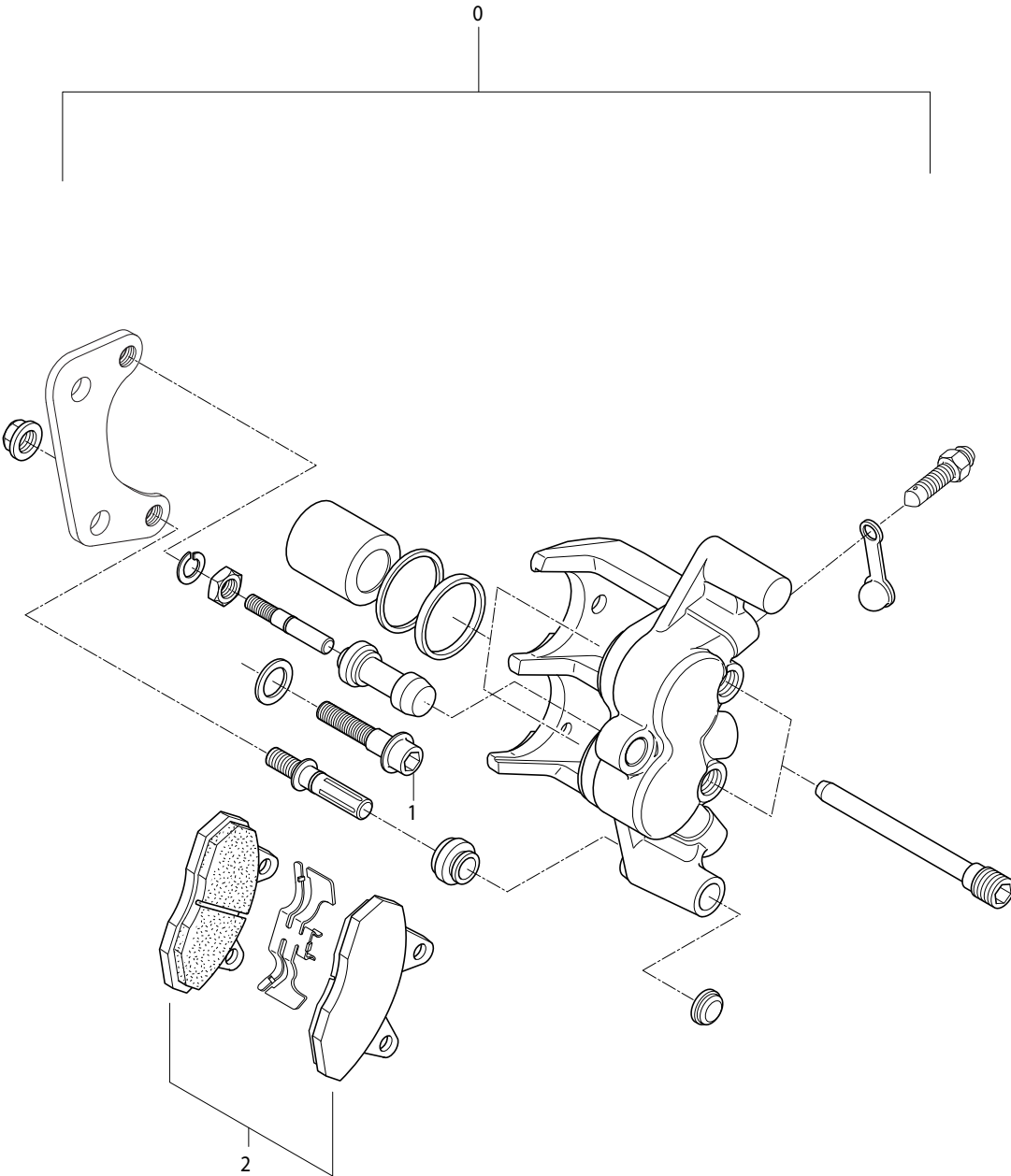
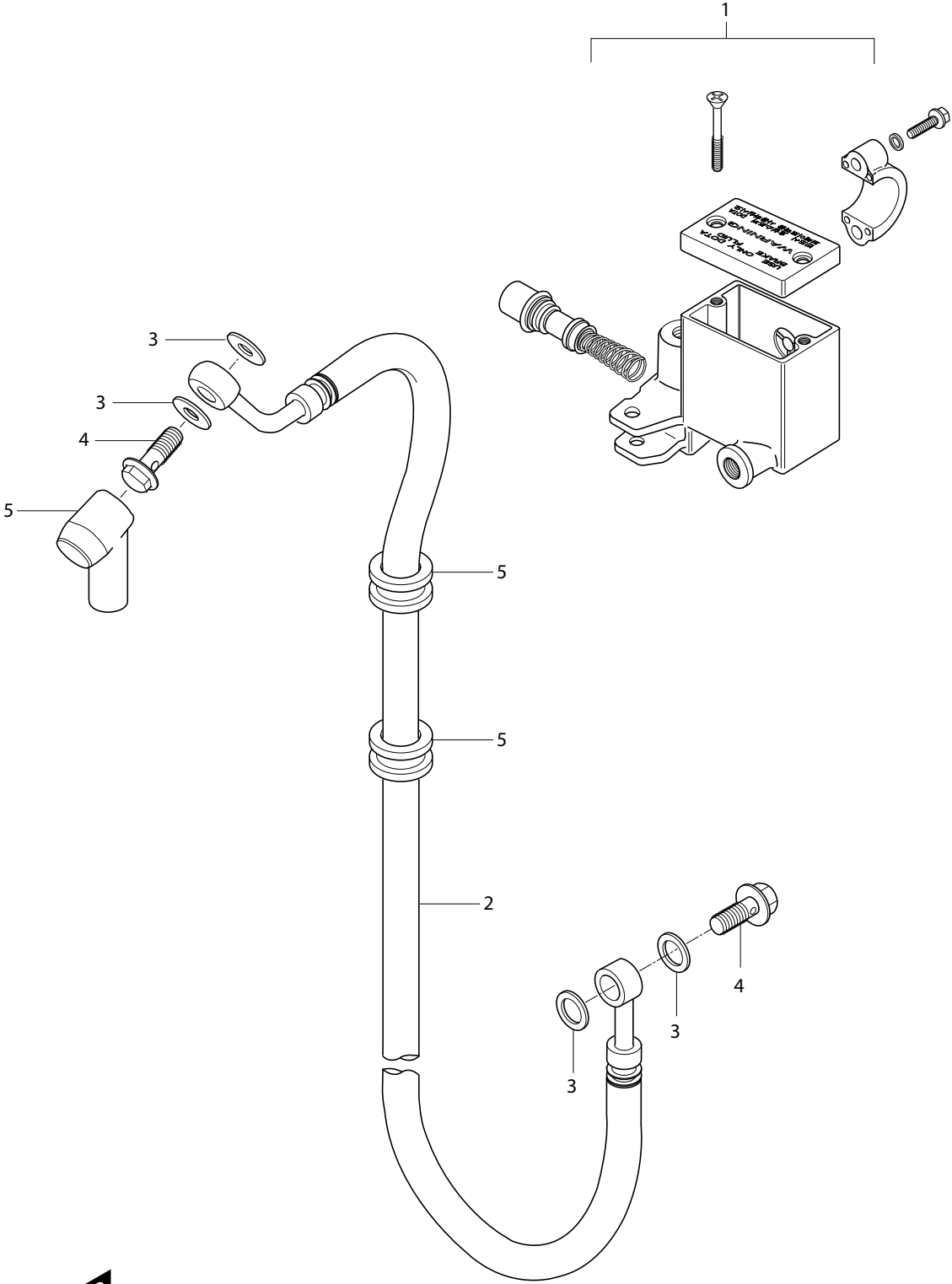


FIG 38-1. REAR CALIPER

REF. NO.	PARTS NO. 7EG01	7EU01/7F01/7G01/7S01/7SA01	7EN01	PARTS NAME	Q'TY	REMARKS	REC.Q'TY (PCS)
0	69300HP7600HPA	69300HP7600HPA	69300HP7600HPA	CALIPER ASS'Y, REAR (caliper +pad)	1		5
1	07120-08308	07120-08308	07120-08308	BOLT,CALIPER	2		
2	59401HP7600	59401HP7600	59401HP7600	PAD SET 2-1 + 2-2	1		
2-1	59411HP7600	59411HP7600	59411HP7600	PAD COMP, rear brake outter	1		
2-2	59312HP7600	59312HP7600	59312HP7600	PAD COMP, rear brake inner	1		

FIG.39

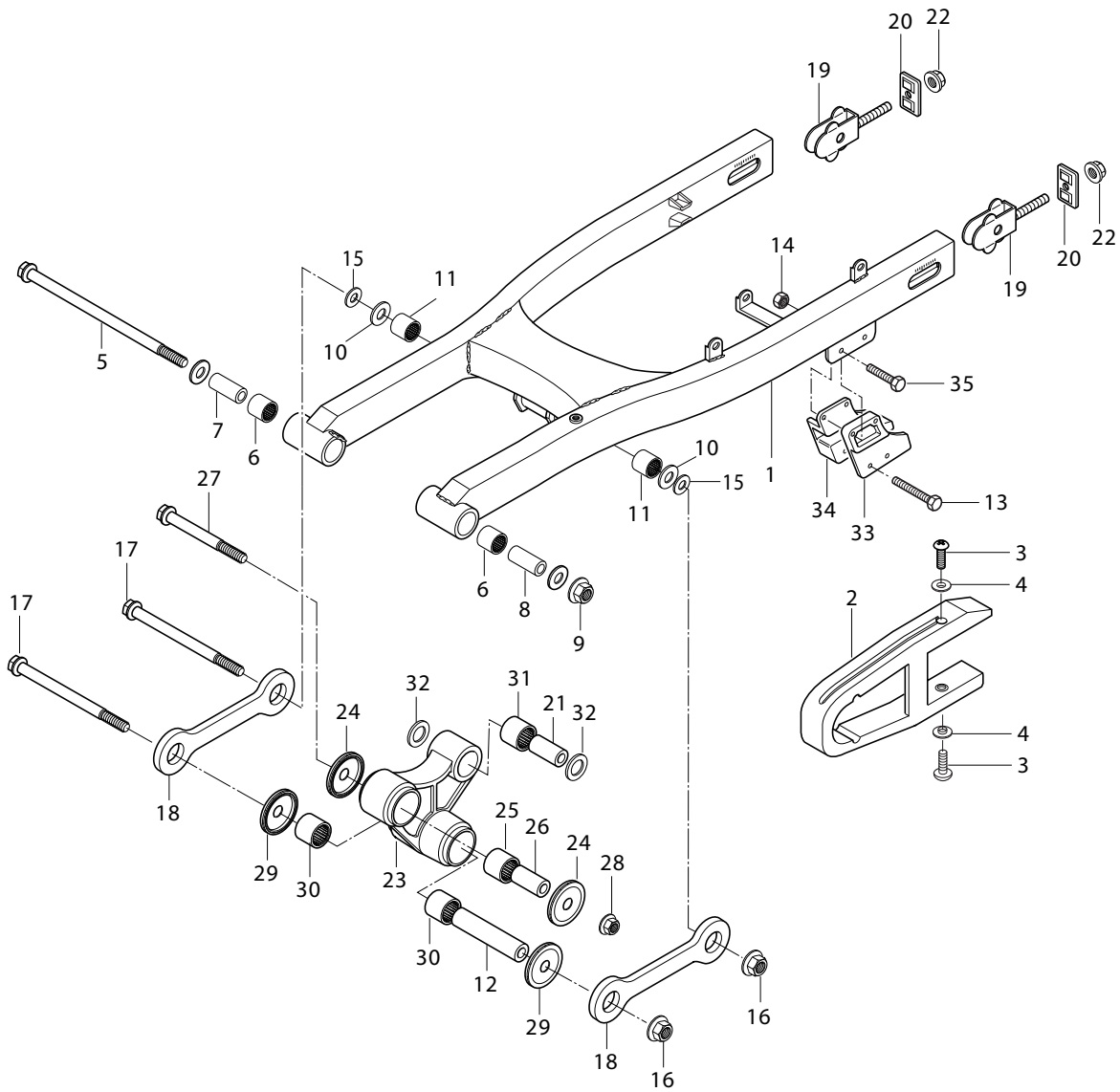


FWD

FIG 39. MASTER CYLINDER & BRAKE HOSE

REF. NO.	PARTS NO. 7EG01	7EU01/7F01/7G01/7S01/7SA01	7EN01	PARTS NAME	Q'TY	REMARKS	REC.Q'TY (PCS)
1	59600-35C03	59600-35C03	59600-35C03	CYLINDER ASS'Y, FRONT MASTER	1		5
2	59480HR7900	59480HR7900	59480HR7900	HOSE COMP, FRONT BRAKE	1		5
3	09161-10005	09161-10005	09161-10005	WASHER, BRAKE FLUID	4		
4	09360-10039	09360-10039	09360-10039	BOLT, BRAKE HOSE	2		
5	59711H49002	59711H49002	59711H49002	BOOT, MASTER CYLINDER	1		
6	59265HG5800	59265HG5800	59265HG5800	GUIDE, BRAKE HOSE	2		10

FIG.40



FWD

FIG 40. REAR SWINGARM

REF. NO.	PARTS NO. 7EG01	7EU01/7F01/7G01/7S01/7SA01	7EN01	PARTS NAME	Q'TY	REMARKS	REC.Q'TY (PCS)
26	09180H12001	09180H12001	09180H12001	SPACER, REAR CUSHION LEVER FRONT	2		10
27	09103H12046	09103H12046	09103H12046	BOLT,REAR CUSHION LEVER FRONT	1		5
28	08319-31128	08319-31128	08319-31128	NUT, REAR CUSHION LEVER FRONT(M12)	1		
29	09284H32001	09284H32001	09284H32001	SEAL, REAR CUSHION LEVER CENTER	2		
30	09263H20003	09263H20003	09263H20003	BEARING, REAR CUSHION LEVER CENTER	2		
31	09284H17001	09284H17001	09263H17002	BEARING, REAR CUSHION LEVER REAR	1		10
32	09284H32001	09284H32001	09284H32001	WASHER, REAR CUSHION ROD	2		
33	61396HG5801	61396HG5801	61396HG5801	GUIDE,DRIVEN CHAIN NO.1	1		5
34	61397HG5801	61397HG5801	61397HG5801	GUIDE,DRIVEN CHAIN NO.2	1		5
35	01517-06308	01517-06308	01517-06308	BOLT, SWING ARM & CHAIN GUIDE(M6*30)	2		
36	62611HG5800HPA	62611HG5800HPA	62611HG5800HPA	LEVER, REAR CUSHION	1		5
37	68320HG5850	68320HG5850	68320HG5850	LABEL, chain case	1		
		68320HG5860PL		LABEL, chain case for only 7G01	1		
		68320HG5880PL		LABEL, chain case for only 7S01	1		
		68320HG5890PL		LABEL, chain case for only 7F01	1		

FIG.40

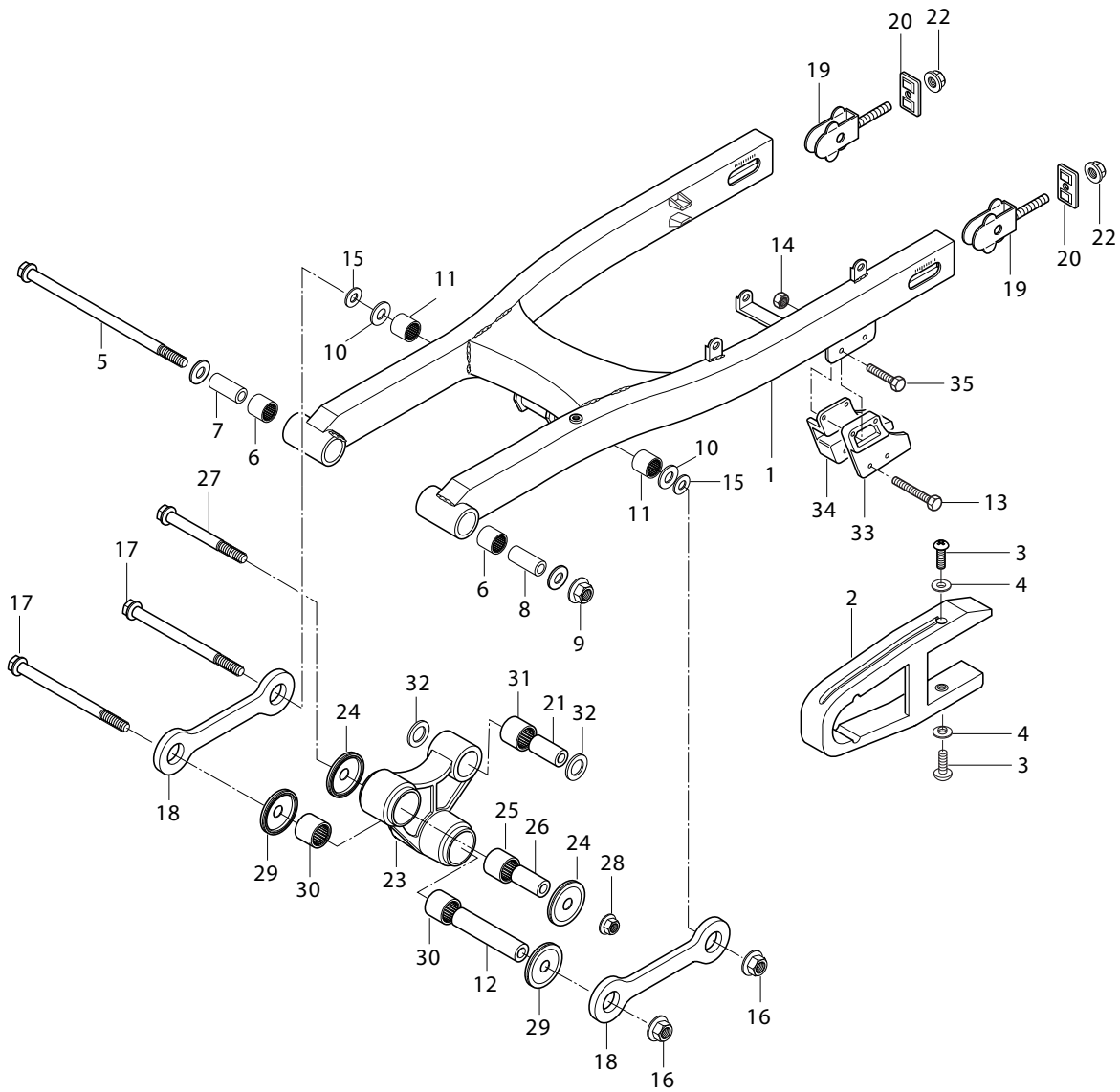


FIG 40. REAR SWINGARM

REF. NO.	PARTS NO. 7EG01	7EU01/7F01/7G01/7S01/7SA01	7EN01	PARTS NAME	Q'TY	REMARKS	REC.Q'TY (PCS)
1	61100H75800HPA	61100H75800HPA	61100H75800HPA	SWING ARM COMP, REAR	1		5
2	61273HG5802	61273HG5802	61273HG5802	BUFFER,CHAIN TOUCH DEFENSE	1		5
3	02142-06165	02142-06165	02142-06165	BOLT, CHAIN TOUCH DEFENSE BUFFER(M6*	2		
4	09169H06011	09169H06011	09169H06011	WASHER, CHAIN TOUCH DEFENSE BUFFER	2		10
5	61211HG5801	61211HG5801	61211HG5801	SHAFT, REAR SWINGARM PIVOT	1		5
6	09263-20073	09263-20073	09263-20073	BEARING, REAR SWINGARM PIVOT	2		15
7	09180H14002	09180H14002	09180H14002	SPACER, REAR SWINGARM PIVOT R	1		10
8	09180H14003	09180H14003	09180H14003	SPACER, REAR SWINGARM PIVOT L	1		10
9	09159H14008	09159H14008	09159H14008	NUT, REAR SWINGARM PIVOT	1		
10	09283-20031	09283-20031	09283-20031	SEAL, REAR CUSHION ROD	2		20
11	09263H20003	09263H20003	09263H20003	BRARING, REAR CUSHION ROD	2		10
12	09180H14001	09180H14001	09180H14006	SPACER, rear cushion rod	1		10
13	64310HG5800	64310HG5800	01547-06458	BOLT, chain guide No.1 & No.2	2		5
14	09111-08012	09111-08012	08316-16068	NUT, swing arm & chain guide	2		
15	09111-08013	09111-08013	09284H32001	SEAL, rear cushion lever	2		
16	09140-08008	09140-08008	09159H14008	NUT, rear cushion rod	2		
17	04111-20208	04111-20208	09103H14001	BOLT, rear cushion rod	2		
18	08321-31088	08321-31088	62641HG5800	ROD, rear cushion lever	2		
19	61410HG5800	61410HG5800	61410HM5401	ADJUSTER COMP, chain	2		10
20	61421HG5800	61421HG5800	61421HG5800	PLATE, chain adjuster guide	2		10
21	64712HG5800	64712HG5800	09180H10073	SPACER, rear cushion lever rear	1		10
22	08319-31088	08319-31088	08316-26108	NUT, chain adjuster	2		
23	62611HG5800	62611HG5800	62611HG5800	LEVER, rear cushion	1		5
24	09284H33003	09284H33003	09284H33003	DUST SEAL, rear cushion lever front	2		10
25	09263-20073	09263-20073	09263-20073	BEARING, rear cushion lever front	1		

FIG.41

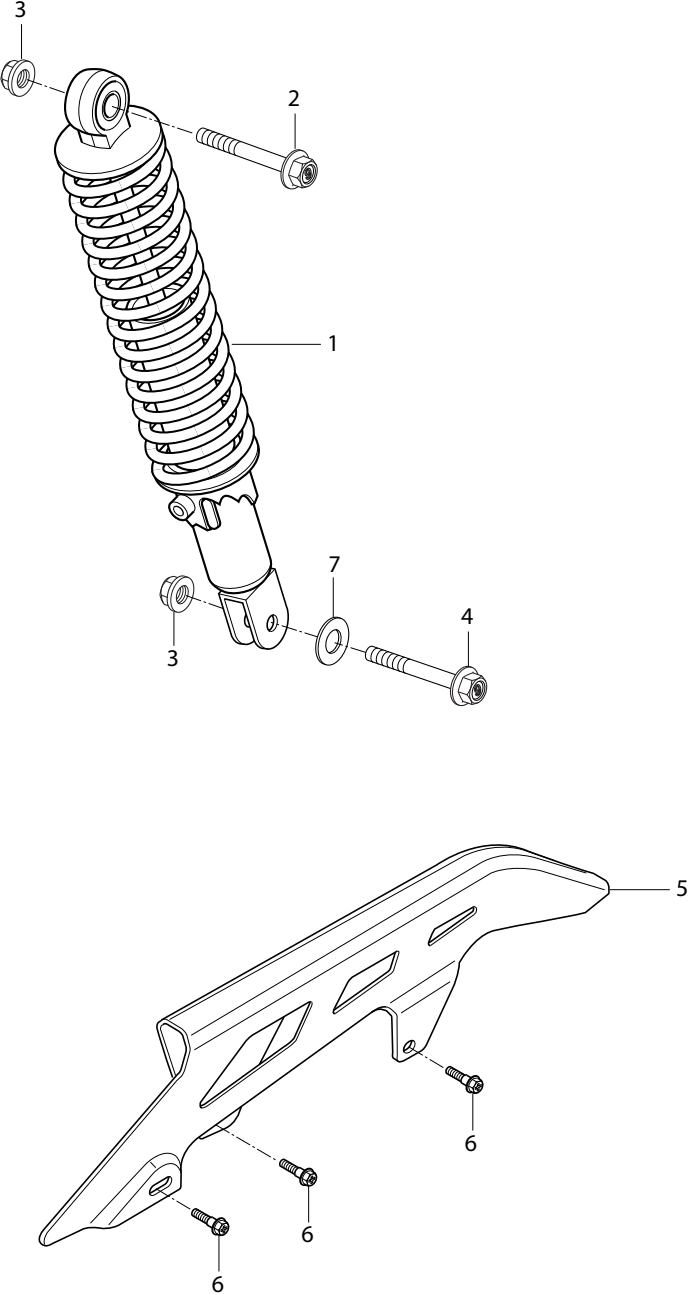


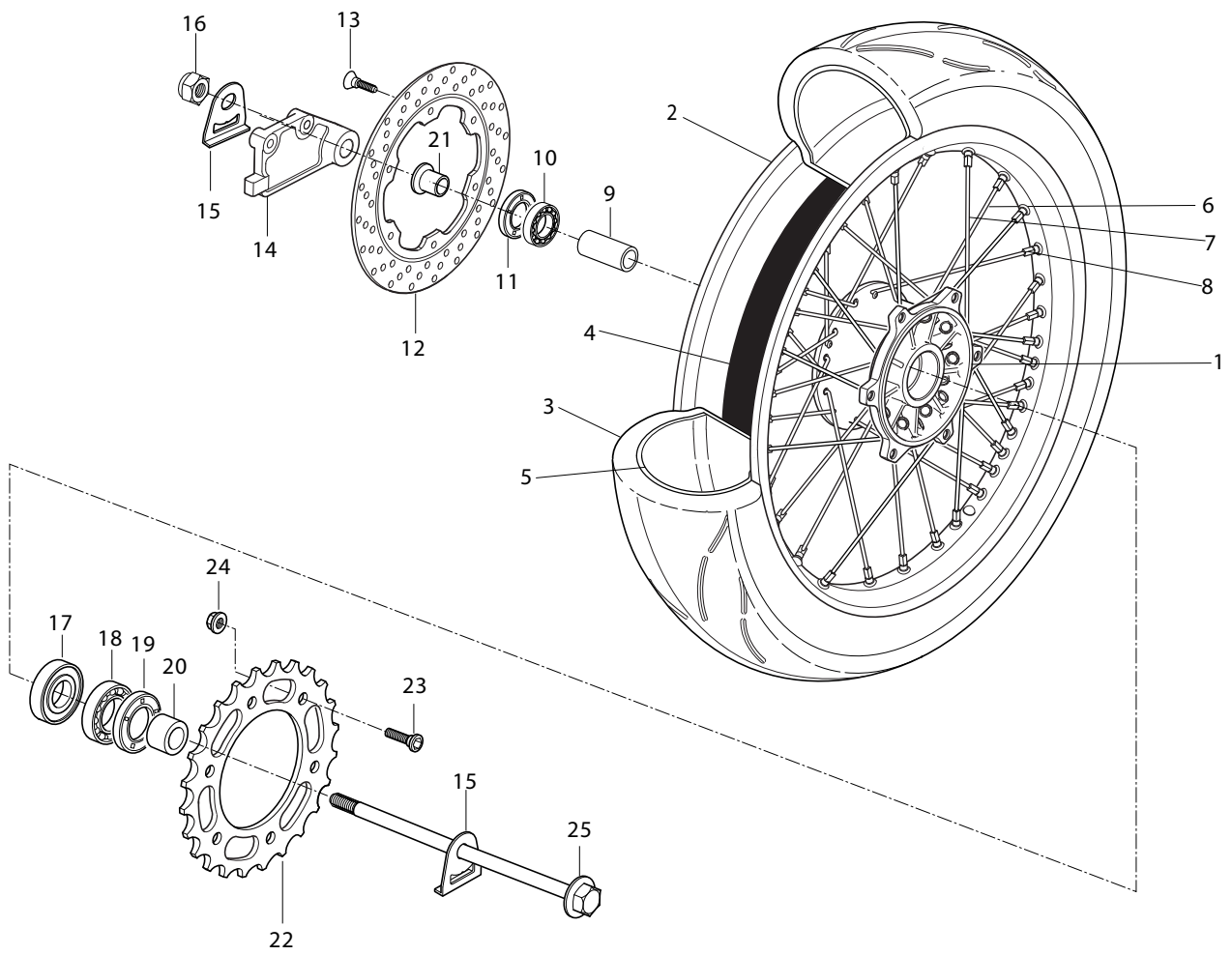
FIG 41. REAR SHOCK ABSORBER

REF. NO.	PARTS NO. 7EG01	7EU01/7F01/7G01/7S01/7SA01	7EN01	PARTS NAME	Q'TY	REMARKS	REC.Q'TY (PCS)
1	62100HG5805	62100HG5805	62100HG5805	SHOCK ABSORBER ASS'Y, REAR	1		5
2	09103H10230	09103H10230	09103H10230	BOLT,REAR SHOCK ABSORBER UPPER	1		5
3	08319-31108	08319-31108	08319-31108	NUT, REAR SHOCK ABSORBER(M10)	1		
4	09103H10101	09103H10101	09103H10101	BOLT, REAR SHOCK ABSORBER LOWER	1		
5	61311HG5802	61311HG5802	61311HG5802	CHAIN CASE	1		5
6	09111H06066	09111H06066	09111H06066	BOLT, CHAIN CASE	3		20
7	09160-10001	09160-10001	09160-10001	WASHER, REAR ABSORBER LOWER	1		

FIG 42. REAR FENDER

REF. NO.	PARTS NO. 7EG01	7EU01/7F01/7G01/7S01/7SA01	7EN01	PARTS NAME	Q'TY	REMARKS	REC.Q'TY (PCS)
1	63112HG5803	63112HG5803	63112HG5803	REAR FENDER, FRONT	1		5
2	02142-06125	02142-06125	02142-06125	SCREW, REAR FENDER FRONT(M6*12)	2		
3	02142-06165	02142-06165	02142-06165	SCREW, REAR FENDER FRONT(M6*16)	2		
4	09169-06034	09169-06034	09169-06034	WASHER, REAR FENDER FRONT	6		
5	63113HG5851	63113HG5851	63113HG5851	REAR FENDER, REAR	1		5
6	02142-06125	02142-06125	02142-06125	SCREW, REAR FENDER REAR(M6*12)	2		
7	09148-06020	09148-06020	09148-06020	NUT, REAR FENDER & REAR COMBI UP(M6)	2		
8	35910HG5800	35910HG5800	35910HG5800	LAMP ASS'Y, LICENSE			
9	35915HG5800	35915HG5800	35915HG5800	COVER, LICENSE LAMP	1		5
10	01107-05605	01107-05605	01107-05605	BOLT, LICENSE LAMP(M5*60)	2		10
11	08316-26055	08316-26055	08316-26055	NUT, LICENSE LAMP(M5)	2		
12	35970-17303	35970-17303	35970-17303	REFLEX REFLECTOR ASS'Y, REAR	1		
13	08316-26055	08316-26055	08316-26055	NUT, REAR REFLEX REFLECTOR(M5)	1		
14	35927H44430	35927H44430	35927H44430	BRACKET,LICENSE PLATE	1		
15	02142-06165	02142-06165	02142-06165	SCREW, LICENSE PLATE BRACKET(M6*16)	2		
16	08316-16068	08316-16068	08316-16068	NUT, LICENSE PLATE BRACKET(M6)	2		
17	01517-08168	01517-08168	01517-08168	BOLT,SEAT REAR(M8*16)	2		
18	09169-06034	09169-06034	09169-06034	WASHER, SEAT REAR BOLT	2		
19	09471-12110	09471-12110	09471-12110	BULB, LISENCE (5W)	1		

FIG.43



FWD

FIG 43. REAR WHEEL

REF. NO.	PARTS NO. 7EG01	7EU01/7F01/7G01/7S01/7SA01	7EN01	PARTS NAME	Q'TY	REMARKS	REC.Q'TY (PCS)
1	64110H75800	64110H75800	64110H75800	HUB,RR WHEEL	1		5
2	65311H75800	65311H75800	65311H75800	RIM,RR WHEEL	1		
3	65101H75800	65101H75800	65101H75800	TIRE SET,REAR	1		5
4	65261H75800	65261H75800	65261H75800	PROTECTOR, rear wheel inner	1		
5	65200H75800	65200H75800	65200H75800	TUBE ASS'Y, rear wheel inner	1		36
6	65321H75800	65321H75800	65321H75800	SPOKE, rear wheel outer	18		36
7	65322H75800	65322H75800	65322H75800	SPOKE, rear wheel inner	18		
8	65325HM5400	65325HM5400	65325HM5400	NIPPLE, wheel spoke	36		
9	64731H75800	64731H75800	64731H75800	SPACER, rear hub bearing	1		
10	08133-62037	08133-62037	08133-62037	BEARING, rear hub inner	1		5
11	09283-27010	09283-27010	09283-27010	OIL SEAL, rear hub RH	1		
12	69211H75800	69211H75800	69211H75800	DISC, rear brake	1		
13	09106H06156	09106H06156	09106H06156	BOLT, rear brake disc	6		
14	69341H75800	69341H75800	69341H75800	CARRIER, caliper	1		
15	64712HM5400	64712HM5400	64712HM5400	WASHER, chain adjuster	2		
16	09159H16002	09159H16002	09159H16002	NUT, rear axle	1		
17	08133-62037	08133-62037	08133-62037	BEARING, rear hub LH inner	1		
18	08123-63037	08123-63037	08123-63037	BEARING, RR sprocket mountin	1		
19	09285-28001	09285-28001	09285-28001	OIL SEAL, rear hub LH	1		3
20	64751HM8100	64751HM8100	64751HM8100	SPACER, rear axle L	1		
21	64741H75800	64741H75800	64741H75800	SPACER, rear axle R	1		3
22	64511H75801	64511H75801	64511H75801	SPROCKET, rear 46T	1		
23	07120-08308	07120-08308	07120-08308	BOLT, rear sprocket	6		
24	08319-31088	08319-31088	08319-31088	NUT, rear sprocket	6		
25	64711H75800	64711H75800	64711H75800	AXLE, rear	1		5

FIG.44

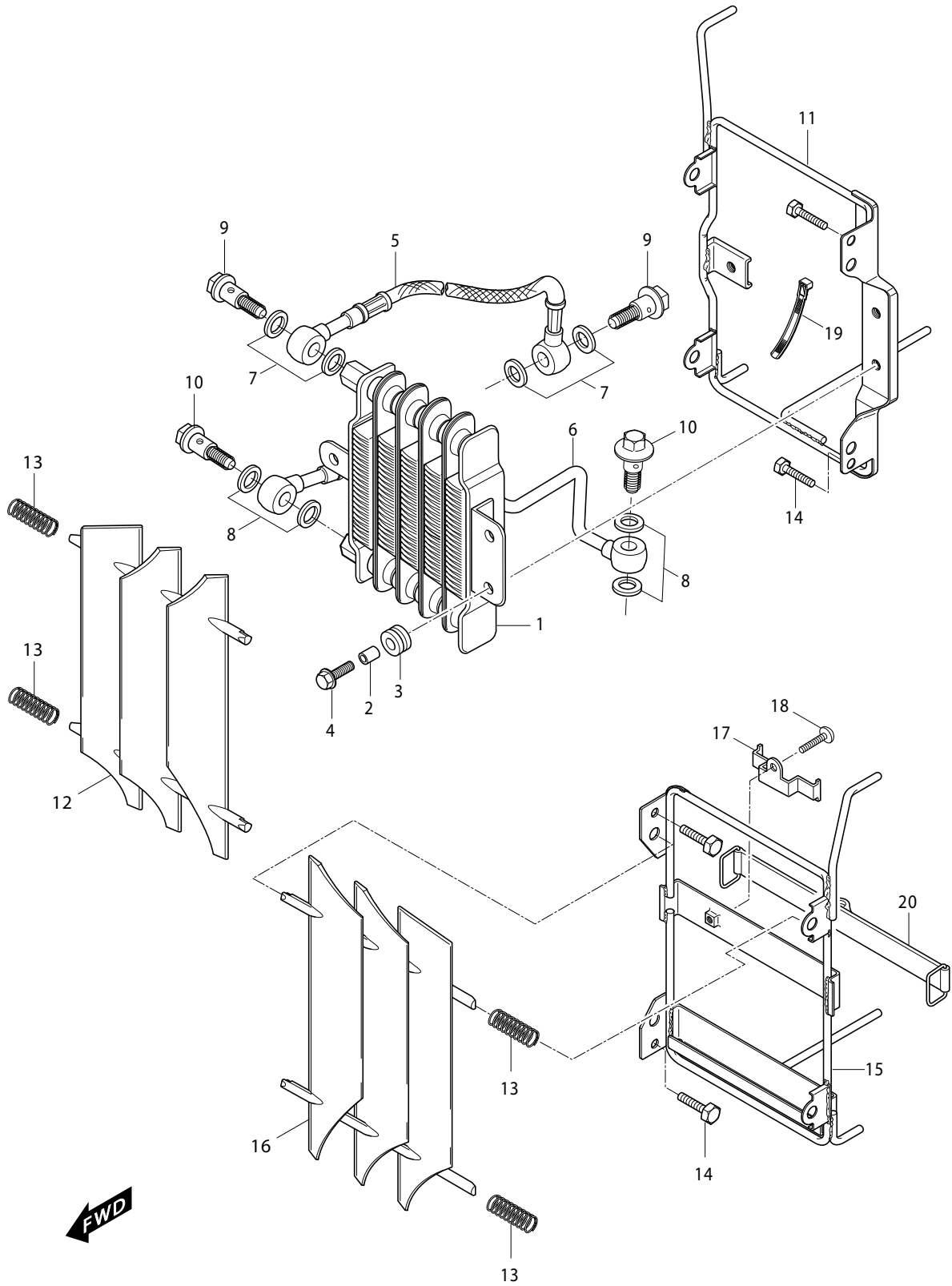


FIG 44. OIL COOLER

REF. NO.	PARTS NO. 7EG01	7EU01/7F01/7G01/7S01/7SA01	7EN01	PARTS NAME	Q'TY	REMARKS	REC.Q'TY (PCS)
1	16600HG5801	16600HG5801	16600HG5801	COOLER ASSY, oil	1		5
2	09180-06030	09180-06030	09180-06030	SPACER, oil cooler	3		5
3	09320-10015	09320-10015	09320-10015	CUSHION, oil cooler	3		5
4	09116-06143	09116-06143	09116-06143	BOLT, oil cooler	3		
5	16460HG5800	16460HG5800	16460HG5800	HOSE COMP, oil cooler No.1	1		
6	16470HR7900	16470HR7900	16470HR7900	HOSE COMP, oil cooler No.2	1		
7	09161-10009	09161-10009	09161-10009	GASKET, oil cooler hose No.1	4		10
8	09168-14011	09168-14011	09168-14011	GASKET, oil cooler hose No.2	4		10
9	09360H10034	09360H10034	09360H10034	BOLT, oil cooler hose union No.1	2		
10	09360H12007	09360H12007	09360H12007	BOLT, oil cooler hose union No.2	2		
11	16640HG5800	16640HG5800	16640HG5800	BRACKET COMP, oil cooler	1		
12	47531HG5801	47531HG5801	47531HG5801	GRILLE, oil cooler	1		
13	09440H09001	09440H09001	09440H09001	SPRING, oil cooler grille	4		
14	01517-06125	01517-06125	01517-06125	BOLT, oil cooler bracket	4		
15	47430HG5802	47430HG5802	47430HG5802	BRACKET COMP, tool box	1		
16	47541HG5801	47541HG5801	47541HG5801	GRILLE, tool box	1		
17	41327HE6150	41327HE6150	41327HE6150	PLATE, cdi	1		
18	02142-06128	02142-06128	02142-06128	SCREW, cdi plate	1		
19	09407-14403	09407-14403	09407-14403	CLAMP, clutch cable assy	1		
20	09462-000E6	09462-000E6	09462-000E6	BAND, tool box	1		