



GV650DS



GV650WB



GV650BK

FIG 1-1. CYLINDER HEAD/(FRONT)

REF. NO.	PART NUMBER	PART NAME	Q'ty
1-1	11110HN9110PCH	HEAD ASS'Y, cylinder front(Head+Plug) black	
1-4	09103H06002	BOLT, camshaft housing	12
1-5	09206-08001	KNOCK PIN, camshaft housing	4
2	11171HP9502121	COVER,cylinder head lower black	1
3	11172HP9502121	COVER,cylinder head upper	1
4	11141HN9101	GASKET, cylinder head	1
5	13110HP9300	PIPE COMP, intake front	1
6	09402-62208	CLAMP, carburetor	1
7	11173HN9100	GASKET,cylinder head cover	1
8	09482-00456	PLUG,spark CR8E	1
9	13131HN9100	O-RING, intake pipe	1
10	09106-07009	BOLT, cylinder head cover NO.1	2
11	09161H11008	WASHER, cylinder head cover	2
12	09106H07018	BOLT, cylinder head rear cover NO.2	2
13	09103H10001	BOTL,cylinder head (M10)	4
14	09160H10002	WASHER, cylinder head bolt	4
15	07120-06408	BOLT, cylinder head NO.1 (M6)	1
16	09103H06001	BOLT, cylinder head NO.2 (M6)	2
17	04213-13189	PIN, cylinder knock	2
18	01514-08128	BOLT, oil gallery	2
19	09168-08008	GASKET, oil gallery bolt	2
20	02122-06208	SCREW, intake pipe	2
21	11181HP9500	O-RING, cylinder head lower cover No.1	1
22	11182HP9500	O-RING, cylinder head lower cover No.2	1

FIG 1-1

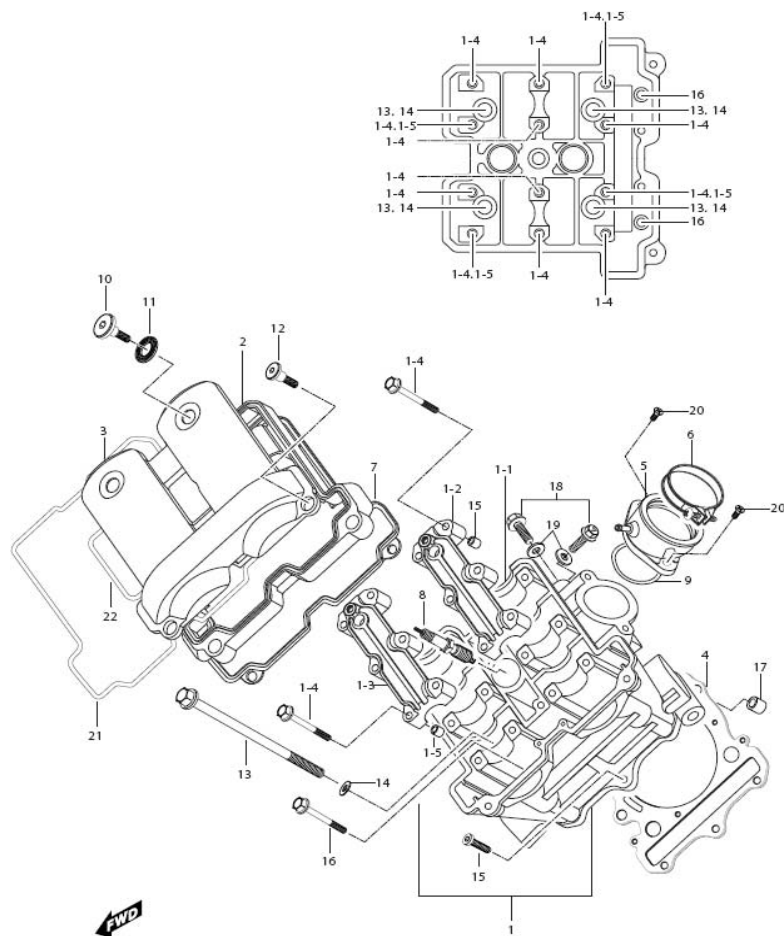


FIG 1-2. CYLINDER HEAD/(REAR)

REF. NO.	PART NUMBER	PART NAME	Q'ty
1	11120HN9100PCH	HEAD ASS'Y, cylinder rear	1
1-4	09103H06002	BOLT, camshaft housing	12
1-5	09206-08001	KNOCK PIN, camshaft housing	4
2	11171HP9502121	COVER,cylinder head lower black	1
3	11172HP9502121	COVER,cylinder head upper	1
4	11141HN9101	GASKET, cylinder head	1
5	13120HP9300	PIPE COMP, intake front	1
6	09402-62208	CLAMP, carburetor	1
7	11173HN9100	GASKET,cylinder head cover	1
8	09482-00456	PLUG,spark CR8E	1
9	13131HN9100	O-RING, intake pipe	1
10	09106-07009	BOLT, cylinder head cover NO.1	2
11	09161H11008	WASHER, cylinder head cover	2
12	09106H07018	BOLT, cylinder head rear cover NO.2	2
13	09103H10001	BOTL,cylinder head (M10)	4
14	09160H10002	WASHER, cylinder head bolt	4
15	07120-06408	BOLT, cylinder head NO.1 (M6)	1
16	09103H06001	BOLT, cylinder head NO.2 (M6)	2
17	04213-13189	PIN, cylinder knock	2
18	01514-08128	BOLT, oil gallery	2
19	09168-08008	GASKET, oil gallery bolt	2
20	02122-06208	SCREW, intake pipe	2
21	11181HP9500	O-RING, cylinder head lower cover No.1	1
22	11182HP9500	O-RING, cylinder head lower cover No.2	1

FIG 1-2

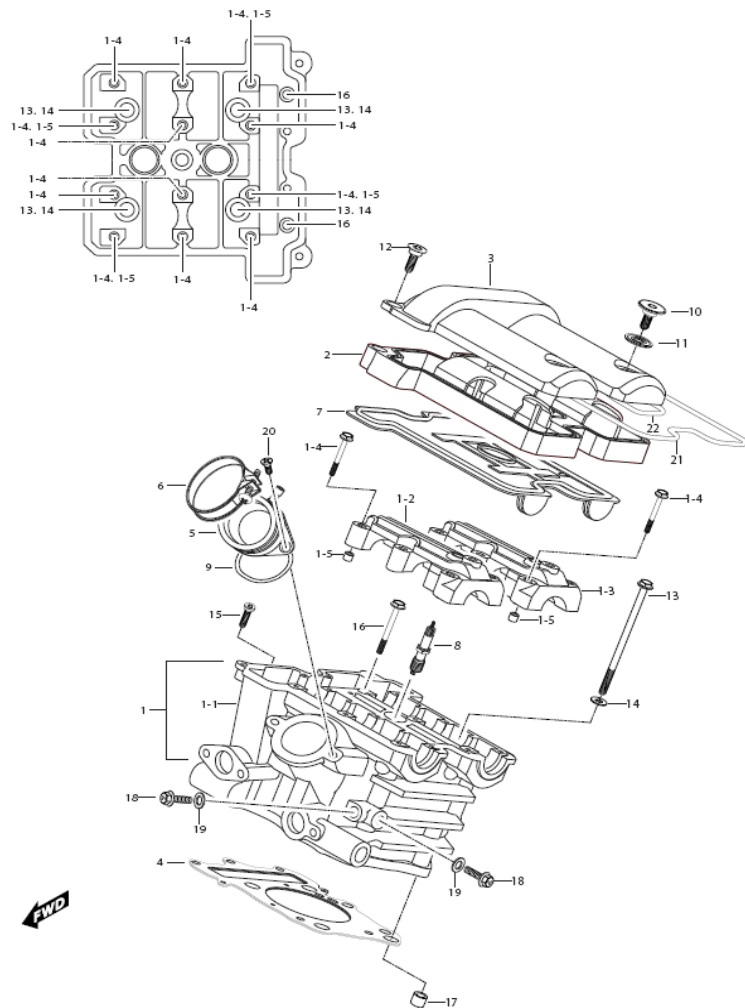


FIG 2. CYLINDER /FRONT, REAR

REF. NO.	PART NUMBER	PART NAME	Q'ty
1	11210HN9110PCY	CYLINDER ASS'Y, front	
2	11220HN9110PCY	CYLINDER ASS'Y, rear	
3	11241HN9101	GASKET, cylinder	
4	04213-13189	PIN, cylinder knock	2
5	08316-16068	NUT, cylinder (M6)	4
6	01421-06258	BOLT, cylinder stud (M6)	4

FIG 2

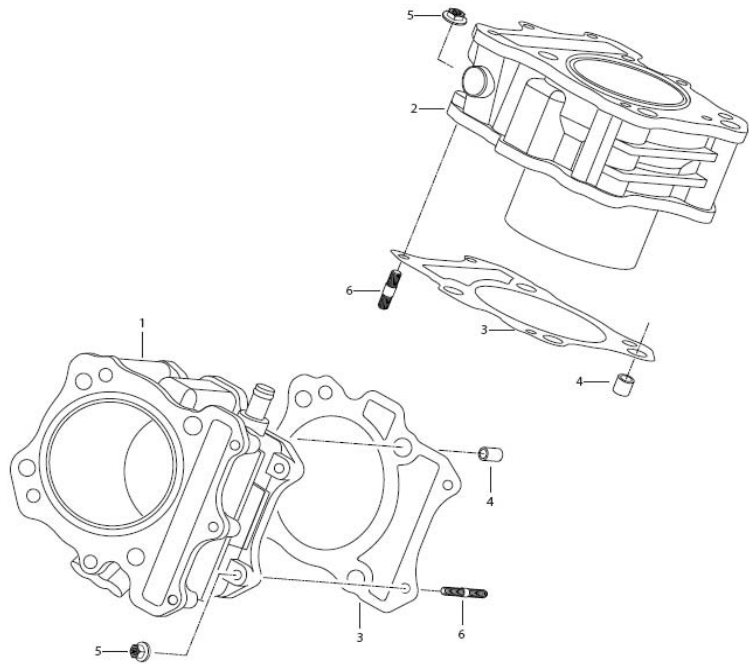


FIG 3. RADIATOR

REF. NO.	PART NUMBER	PART NAME	Q'ty
----------	-------------	-----------	------

1	17710HP9500	RADIATOR COMP, water	1
2	17860HN9100	SWITCH ASS'Y, thermo	1
3	17800HN9102	FAN ASS'Y, radiator	1
4	17810HN9100	MOTOR ASS'Y, radiator fan	1
5	02142-05165	BOLT, radiator fan	3
6	09404-06401	CLAMP, radiator fan	1
7	09116-06143	BOLT, radiator	4
8	09180-06011	SPACER, radiator	4
9	09320H10006	CUSHION, radiator	4

FIG 3

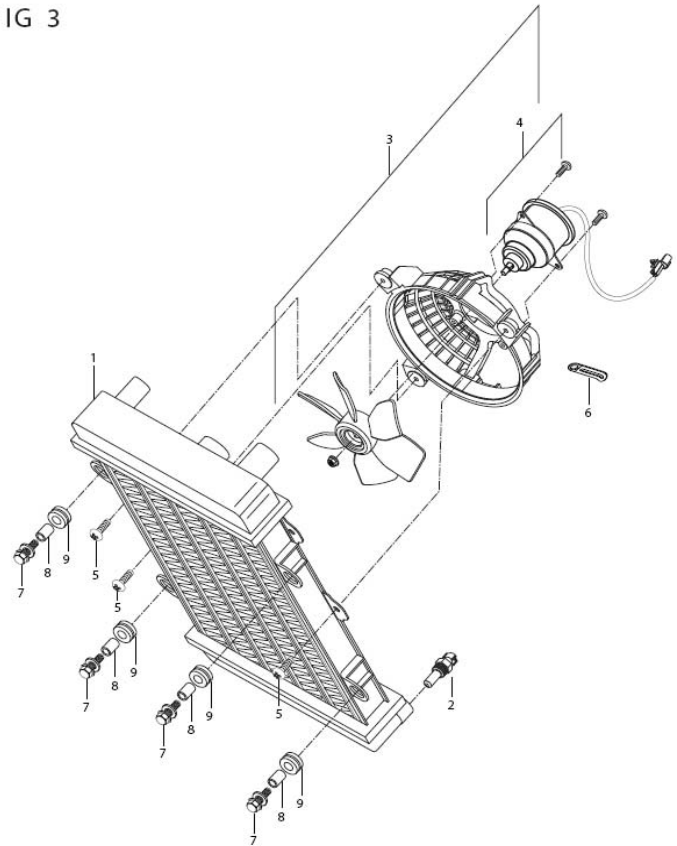


FIG 4. CRANK CASE

REF. NO.	PART NUMBER	PART NAME	Q'ty
1	11320HN9104121	CRANKCASE COMP, L	1
2	11310HN9104121	CRANKCASE COMP, R	1
3	11430HN9100	JET COMP, piston rear oil	1
4	11420HN9100	JET COMP, piston front oil	1
5	09403H09304	CLAMP.	2
6	04213-13189	PIN, crank case knock	2
7	07120-08608	BOLT, crank case M8	2
8	01547-06608	BOLT, crank case M6	8
9	07120-08708	BOLT, crank case M8	2
10	01547-06808	BOLT, crankcase	5
11	02112-06958	SCREW,crankcase	2
12	09103H08001	BOLT, crank case M8(L100)	2
13	01514-08128	BOLT, oil gallery	2
14	09168-08008	GASKET, oil gallery bolt	2
15	31135HP9500120	BRACKET, starter motor	
16	01547-06308	BOLT, starter motor braket	2
17	01547-06358	BOLT, starter motor	2
18	17481HN9100	UNION, water pump hose	1
19	07110-06128	BOLT, water hose union	1
20	09280H04001	O-RING, oil jet	3
21	11440HN9100	JET COMP, starter clutch oil	1
22	02112-06108	SCREW, oil jet	3
23	08319-21068	NUT, starter motor bracket	2
24	09280H21001	O-RING, water pump union	1
25	13870HP9501	PIPE COMP, breather hose	1
26	09283H12005	O-RING, breather pipe	1
27	09128-06054	BOLT, breather pipe	1
28	09263H18001	BG, clutch release cam No1	1
29	09263H10009	BG, clutch release cam No2	1

FIG 4

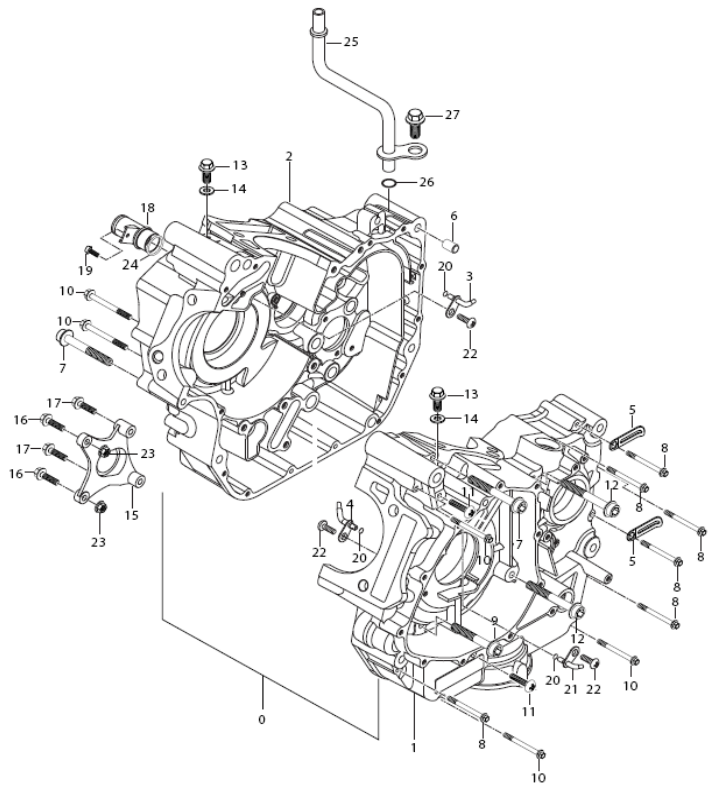


FIG 5. CRANK CASE COVER

REF. NO.	PART NUMBER	PART NAME	Q'ty
1	11331HP9500HPA	COVER COMP, clutch	
2	11351HN91200BF	COVER , magneto	
3	11481HN9101	GASKET, clutch cover (NA)	
4	11483HN9101	GASKET, magneto cover	
5	09247-14026	PLUG, oil check	
6	09168H14003	GASKET, oil check plug	
7	09259-20009CR	PLUG, crankshaft hole	
8	09280-22008	O-RING, crankshaft hole plug	
9	04213-13189	PIN, clutch cover knock	
10	04211-09129	PIN,magneto cover knock	
11	01547-06358	BOLT, magneto cover	
12	01547-06558	BOLT, magneto cover	
13	09403H09304	CLAMP, clutch cover	
14	09259-26015CR	PLUG, crankshaft hole	
15	09280-22008	O-RING, crankshaft hole plug	
16	01547-06358	BOLT, clutch cover	
17	01547-06258	BOLT, clutch cover outer	
18	01547-06708	BOLT, clutch cover outer	
19	01547-06508	BOLT, clutch cover outer	
20	09247H12102	PLUG, TDC	
21	09168H12003	GASKET, T.D.C plug	
22	11361HP9502	COVER, engine pulley	
23	11482HN9100	O-RING, clutch outer cover	
24	01547-06408	BOLT, clutch cover	
25	01547-06258	BOLT, engine pulley cover	
26	11332HN9100	LENS, oil level check	
27	11341HP9500HPA	COVER COMP, clutch outer	
28	09168H06019	GASKET, magneto cover bolt	
29	08321-31068	WASHER, lock	
30	13353HP9401	BRACKET, carburetor adjust	

FIG 5

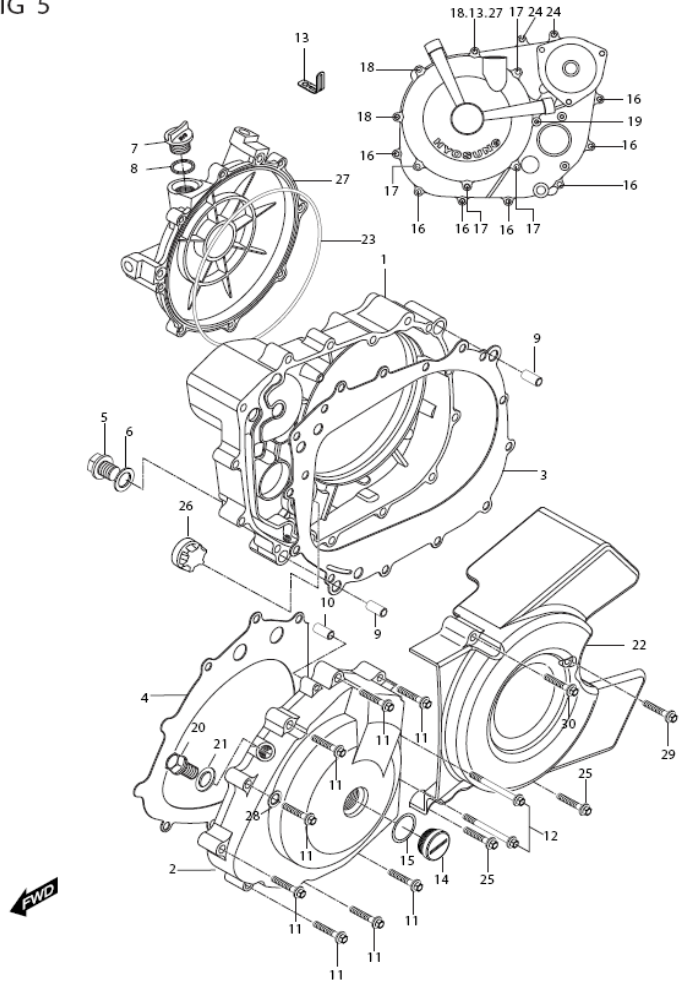


FIG 6. CRANK SHAFT

REF. NO.	PART NUMBER	PART NAME	Q'ty
----------	-------------	-----------	------

1	12200HN9100HPA	CRANK SHAFT ASS'Y	
1-1	12161HN9101	ROD, connecting	
1-2	09263H37001	BEARING, crank pin	
1-3	12211HN9100HPA	PIN COMP, crank	
1-4	12221HN9102CSA	CRANK SHAFT, R	
1-5	12261HN9102CSA	CRANK SHAFT, L	
2	09262H35001	BEARING, crank shaft	
3	02112-06126	SCREW, crank shaft oil seal retainer	
4	21111HN9100	GEAR, primary drive	
5	21112HN9100	GEAR, primary drive NO.2	
6	12281HN9100	RETAINER, crank shaft oil seal	
7	21114-35C00	SPRING,primary drive gear	
8	08211-22422	WASHER, primary drive gear thrust	
9	09140H18001	NUT,primary drive gear	
10	09282-12001	SEAL, crank shaft oil rh	
11	12111HN9101	PISTON,rear	
12	12151HN9101	PIN, piston	
13	09381H20001	CIRCLIP, piston pin	
14	12140HN9100	RINGSET, piston	
14-1	12141HN9100	RING, piston 1st	
14-2	12142HN9100	RING, piston 2nd	
14-3	12144HN9100	RING, piston oil	
15	12291HN9100	JET, crank shaft RH	
16	17511HN9104	GEAR, water pump deive	
17	09146H18001	WASHER, water pump deive gear lock	
18	09180H24000	SPACER, primary drive gear spring	

FIG 6

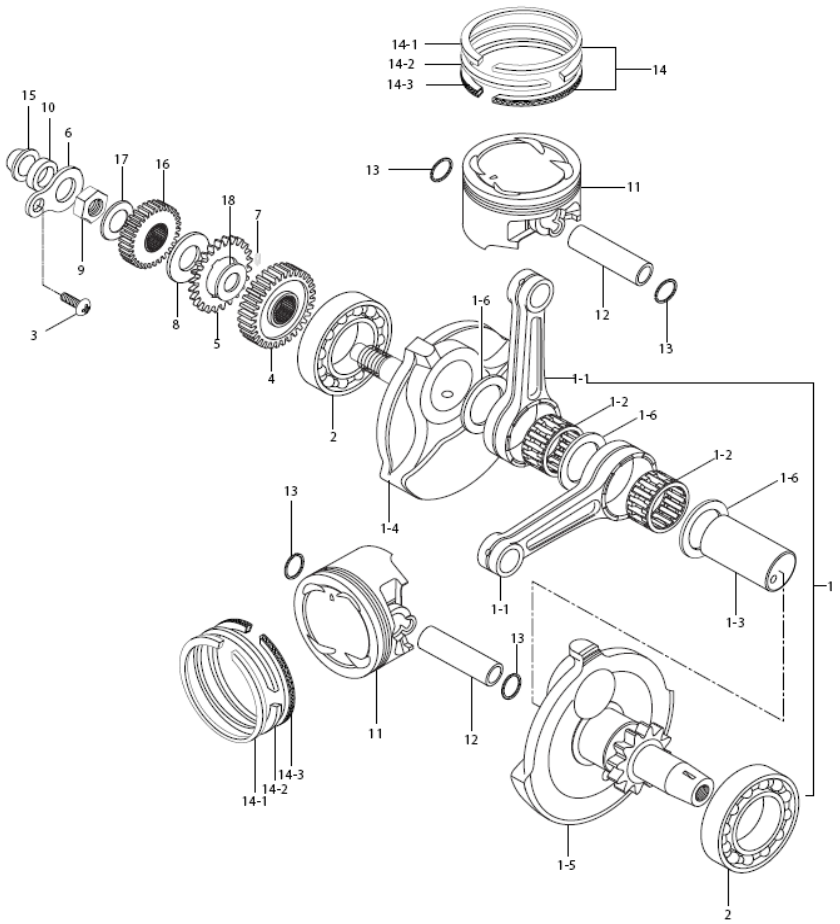


FIG 7. STARTER CLUTCH

REF. NO.	PART NUMBER	PART NAME	Q'ty
----------	-------------	-----------	------

1	12611HN9100	GEAR, starter idle	1
2	09206-13003	PIN,starter idle gear	1
3	12614HN9101	CLUTCH, starter one way	1
4	12620HN9102	GEAR COMP, starter clutch	1
5	12621HN9101	GEAR, starter clutch	1
6	07110-08168	BOLT, starter clutch	6
7	09304H27001	BUSH, starter clutch gear	1

FIG.7

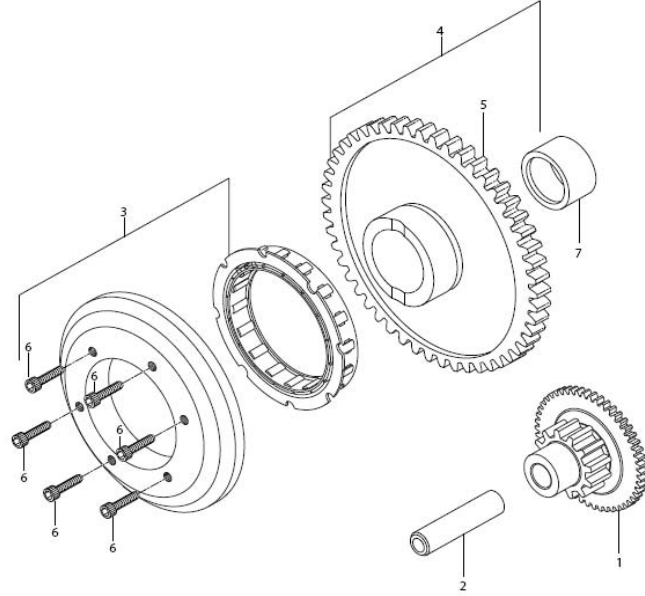


FIG 8. CAMSHAFT / VALVE

REF. NO.	PART NUMBER	PART NAME	Q'ty
----------	-------------	-----------	------

1	12710HN9100HPA	CAMSHAFT COMP, front intake	1
2	12730HN9100HPA	CAMSHAFT COMP, front exhaust	1
3	12720HN9100HPA	CAMSHAFT COMP, rear intake	1
4	12740HN9100HPA	CAMSHAFT COMP, rear exhaust	1
5	12922HN9100	SPRING, valve outer	8
6	09289H04002	SEAL, valve stem oil	8
7	12933HN9100	SEAT, valve spring	8
8	12911HN9101	VALVE, intake rear	4
9	12912HN9101	VALVE, exhaust	4
10	12921HN9101	SPRING, valve inner	8
11	12931HN9100	RETAINER, valve spring	8
12	12932HJ8200	COTTER, valve	16
13	12892-05C00(#120~220)	SHIM, tappet	8
14	12881HN9100	TAPPET	8

FIG 8

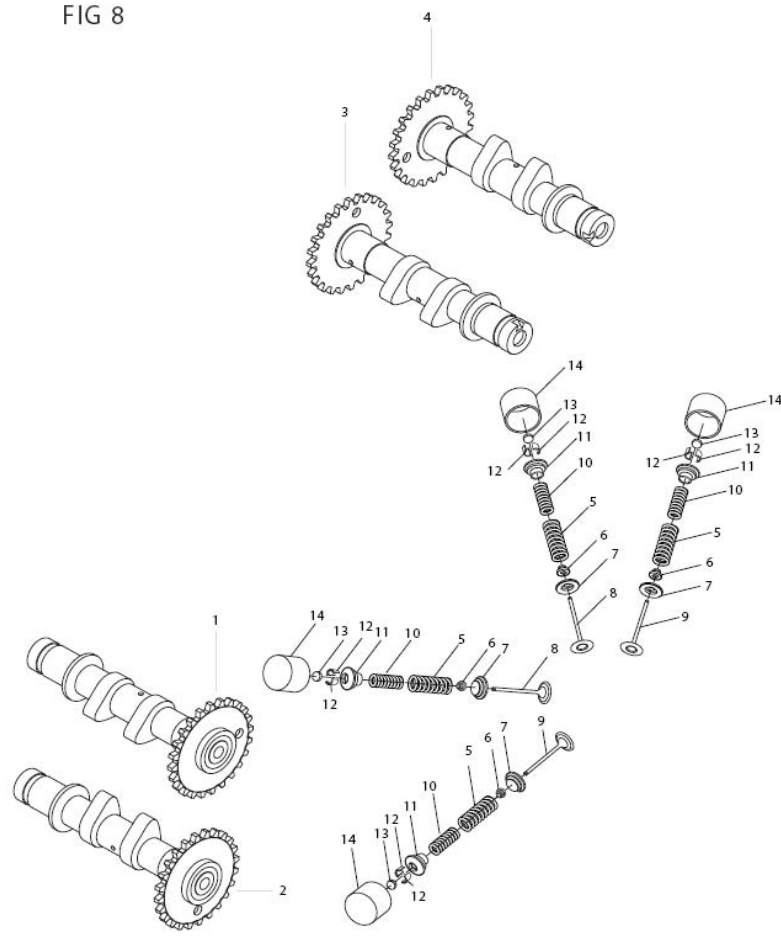


FIG 9. CAM CHAIN

REF. NO.	PART NUMBER	PART NAME	Q'ty
1	12760HN9100	CHAIN COMP, camshaft drive	2
2	12771HN9100	GUIDE, camchain NO.1	2
3	12811HN9101	TENSIONER, camchain	2
4	08211-06181	WASHER, camchain tensioner bolt	2
5	12812HN9101	BOLT, camchain tensioner	2
6	12837HP8900	GASKET, tensioner adjuster	2
7	12830HN9120	ADJUSTER ASS'Y, tensioner	2
8	07110-06208	BOLT, tensioner adjuster	4
9	12839HN9120	SCREW, tensioner adjust	2
10	12782HN9100	GUIDE, camchain No2	2
11	07110-06108	BOLT, camchain guide No2	6

FIG 9

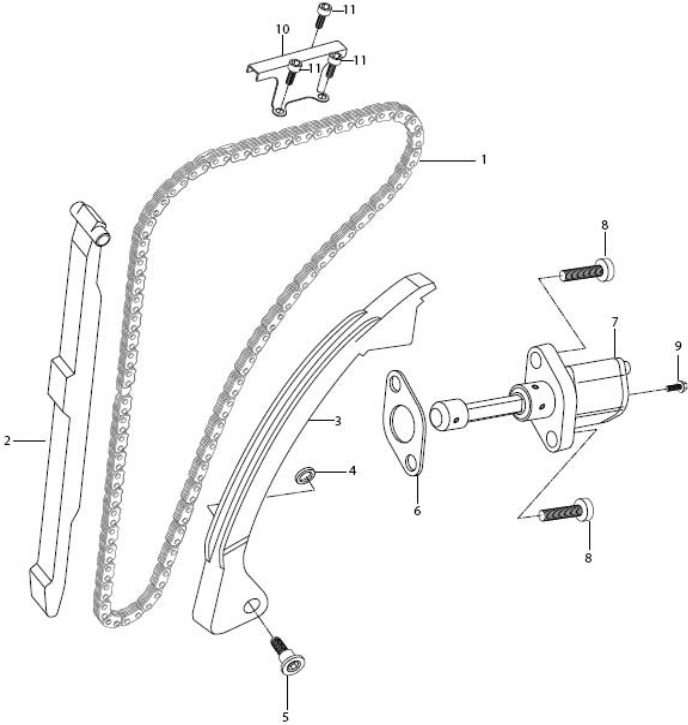


FIG 10. THROTTLE BODY

REF. NO.	PART NUMBER	PART NAME	Q'ty
0	13400HP9310	BODY ASS'Y, throttle	1
1	13410HP9300	BODY COMP, throttle	2
2	15710HP9300	INJECTOR	2
3	13580HP9310	SENSOR, ihrottle position (tps)	1

FIG 10

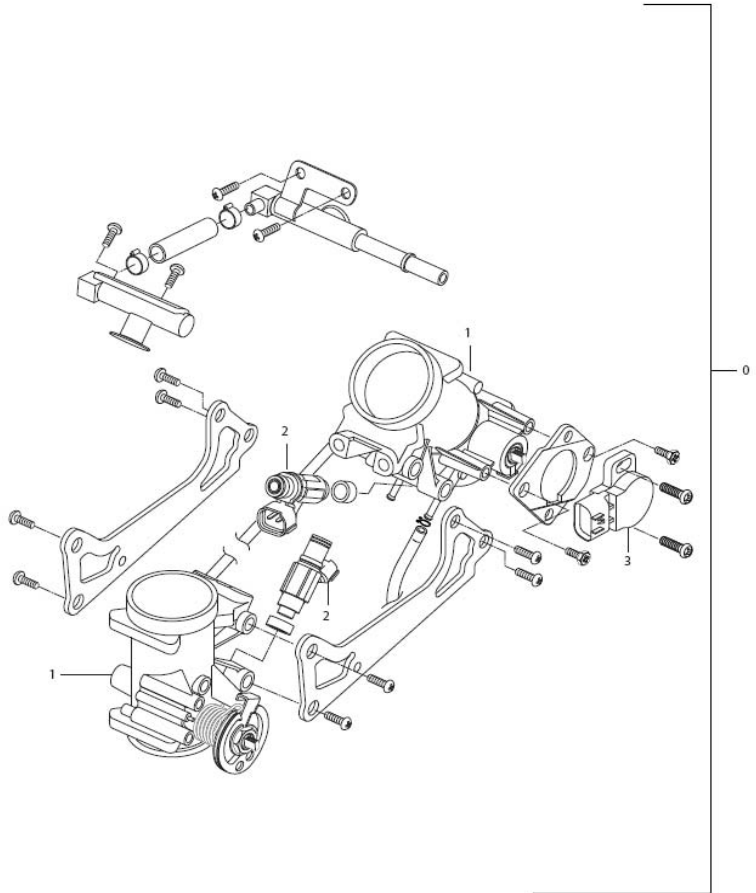


FIG 11.IISC

REF. NO.	PART NUMBER	PART NAME	Q'ty
----------	-------------	-----------	------

1	37940HR8410	IDLE SPEED CONTROL SENSOR	1
2	18731H89800	HOSE, isc No.1	1
3	18741H89800	HOSE, isc No.2	1
4	18751HP9300	HOSE, isc air cleaner	1
5	09401H16401	CLAMP, isc air cleaner hose	2
6	09440-13019	SPRING, isc No.2 hose	1
7	09401-10401	CLIP, isc hose	2
8	09401H11401	CLIP, isc	2
9	13791HR9800	BRACKET, isc	1
10	09128-06035	BOLT, isc bracket	4

FIG 11

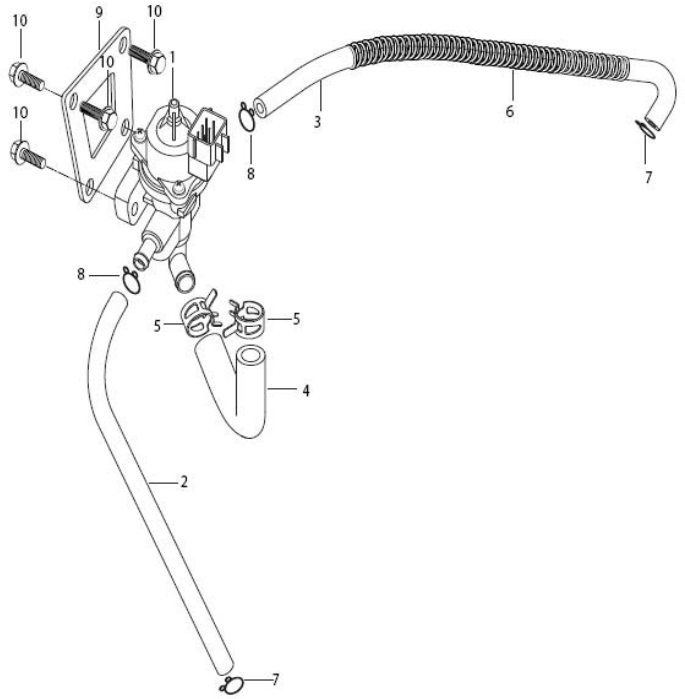


FIG 12. AIR CLEANER&CHAMBER

REF. NO.	PART NUMBER	PART NAME	Q'ty
1	13700H89801	CLEANER ASS'Y, air	1
2	13721HR9800	CAP, air cleaner	1
3	13741HR9801	CASE, air cleaner	1
4	13780HM8100	FILTER COMP, air cleaner	1
5	13891HR9800	TUBE, outlet inlet	1
6	03241-05255	SCREW, air cleaner	8
7	16881HR9800	FILTER, oil return	1
8	09401H16401	CLAMP, breather	4
9	13881HP9301	TUBE, outlet	2
10	09402-54207	CLAMP, outlet tube	2
11	13895HF4500	PLUG, oil drain	1
12	09401-14301	CLIP, oil drain pluge	1
13	37920H89300	SENSOR, intake air pressure	2
14	37930H89300	SENSOR, intake air temperature	1
15	03241-05125	SCREW,ntake air temperature	1
16	03241-05255	SCREW,intake air pressure	2
17	16831HR9800	HOSE, breather ail return No2	1
18	16821HP9800	HOSE, breather ail return No1	1

FIG.12

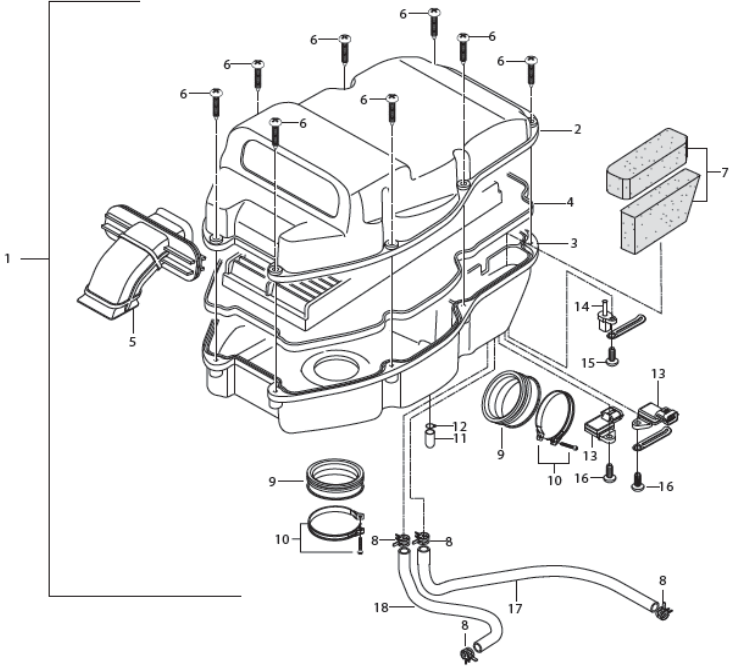


FIG 13. MUFFLER

REF. NO.	PART NUMBER	PART NAME	Q'ty
0	14301HR9800PLH	BODY Ass'y, muffler	
1	14305H89800	BODY COMP, muffler	1
2	14790HP9500	COVER COMP, muffler rear	1
3	14780HP9500	COVER, muffler front	1
4	14170HR9800	PIPE COMP, exhaust joint	1
5	14150HP9502	PIPE COMP, exhaust front	1
6	14160HP9511PAM	PIPE COMP, exhaust rear	1
7	14314HP9500	GASKET, muffler body connector	1
8	14182HP9500	GASKET, exhaust rear pipe connector	1
9	14773HN9101	GASKET, exhaust front pipe connector	1
10	14770HP9101	CONNECTOR, exhaust front pipe	1
11	14181HN9101	GASKET, exhaust	2
12	07110-08258	BOLT, exhaust	6
13	14410HP9502120	BRACKET, muffler support no.1	1
14	01517-08358	BOLT, exhaust front pipe connector	1
15	09320H12059	CUSHION, muffler support bracket	2
16	41160HN9101	SPACER COMP, muffler support bracket	2
17	01134-08258	BOLT, muffler support bracket frame	2
18	09160-08002	BOLT, muffler support bracket body	2
19	09106H06031	BOLT, muffler cover	12
20	09160-08002	WASHER, muffler support bracket body	2
21	09106H06031	BOLT, muffler body connector gasket	4
22	14741HP9500PLA	COVER COMP, exhaust joint pipe no.3	1
23	14751HP9501PLA	COVER, exhaust rear pipe	1
24	14721HP9500PLA	COVER, exhaust joint pipe no.1 inner	1
25	14722HP9500	COVER COMP, exhaust joint pipe no.1 outer	1
26	14731HP9500PLA	COVER COMP, exhaust joint pipe no.2 inner	1
27	14732HP9500	COVER COMP, exhaust joint pipe no.2 outer	1
28	14711HP9501PLA	COVER COMP, exhaust front pipe inner	1
29	14712HP9500	COVER COMP, exhaust front pipe outer	1
30	01104-06065	BOLT, exhaust cover outer	9
31	09119H06001	BOLT, exhaust rear pipe cover	6
32	08321-21068	WASHER, muffler cover bolt	13
33	08322-21068	WASHER, muffler cover bolt	16
34	09106H06031	BOLT, exhaust pipe cover clamp	3
35	14776HP9500	CLAMP, exhaust pipe cover outer	3
36	37950H89300	SENSOR ASS'Y, oxygen	1

FIG.13

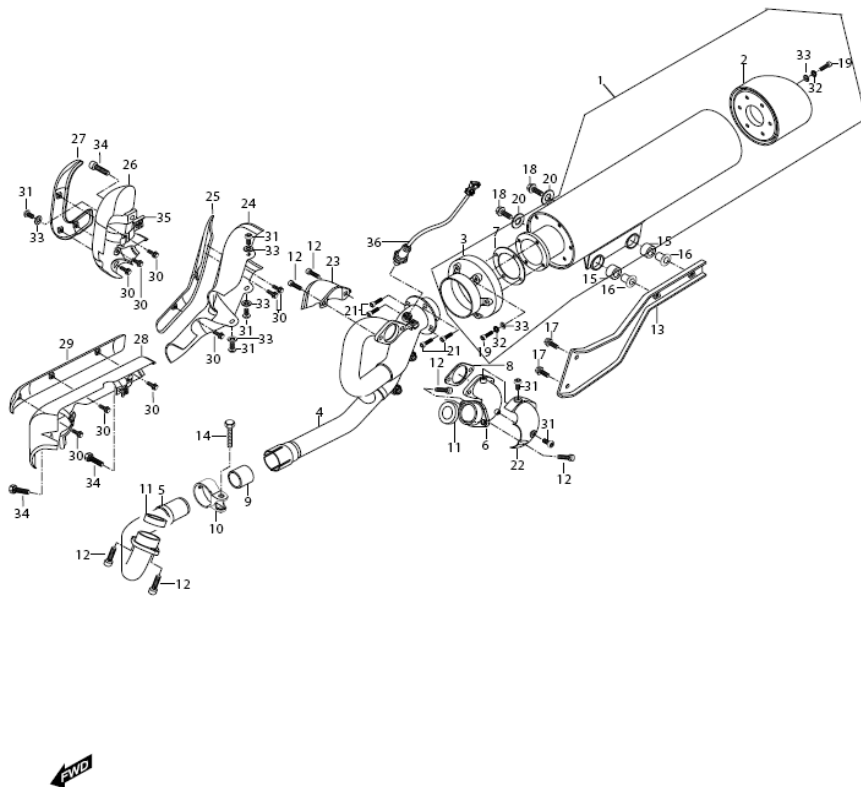


FIG 14. OIL PUMP

REF. NO.	PART NUMBER	PART NAME	Q'ty
----------	-------------	-----------	------

1	16400HN9101	PUMP ASSY, oil	
2	16331HN9101	GEAR, oil pump driven	
3	09261H06001	PIN, oil pump driven gear	
4	08331-31389	CIRCLIP, oil pump driven gear	
5	02112-06258	SCREW, oil pump	
6	16520HN9100	STRAINER COMP, engine oil	
7	02112-95126	SCREW, engine oil strainer	
8	16523HN9100	CAP, oil strainer	
9	09280H82001	O-RING, strainer cap	
10	01547-06208	BOLT, oil strainer cap	
11	09247H14019	PLUG, oil drain	
12	09168H14003	GASKET, drain plug	
13	16510HN9101HAS	FILTER COMP, engine oil	
14	09280H16001	O-RING, oil filter	
15	16512HN91200BF	CAP, oil filter	
16	09280H69001	O-RING, oil filter cap	
17	09440H18001	SPRING, oil filter cap	
18	01421-06128	BOLT, oil filter cap stud	
19	08313-11068	NUT, oil filter cap	
20	01421-06758	BOLT, oil filter cap stud	
21	08331-31389	CIRCLIP, oil pump drive gear	
22	08211-10185	SHIM, oil pump drive gear	
23	16321HN9103	GEAR, oil pump drive	
24	09261H06001	PIN, oil pump drive gear	

FIG 14

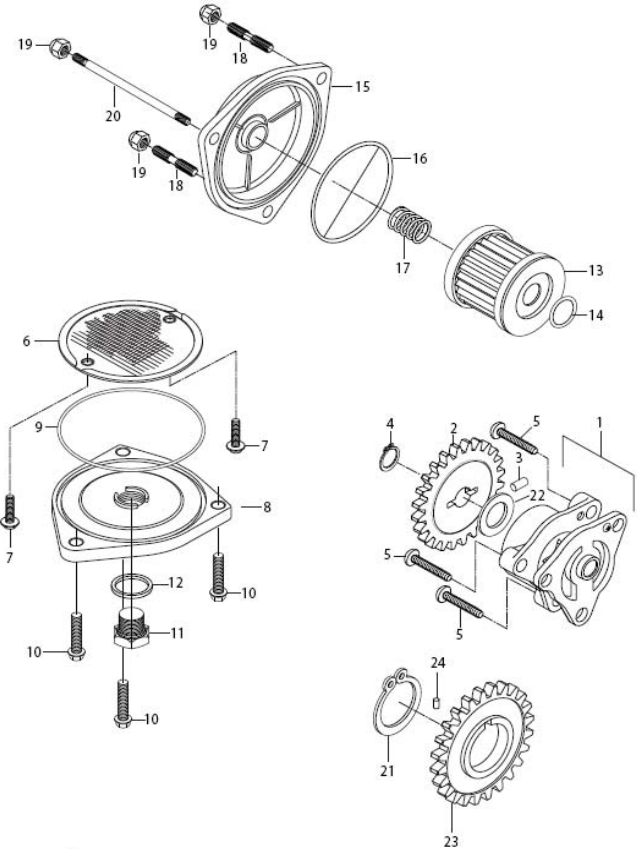


FIG 15. WATER PUMP

REF. NO.	PART NUMBER	PART NAME	Q'ty
1	17400HN9104	WATER PUMP ASS'Y	1
2	01547-06308	BOLT, water pump	2
3	17491HN9100	HOSE, water pump outlet	1
4	09401H26402	CLAMP, water pump hose	2
5	17521HN9105	PL GEAR,water pump driven	1
6	08221-10185	SHIM, water pump driven gear	1
7	08331-31109	CIRCLIP, water pump driven gear	1
8	09261H04001	PIN, water pump driven gear	1
9	17480HP9500PLA	COVER COMP, water pump	1

FIG.15

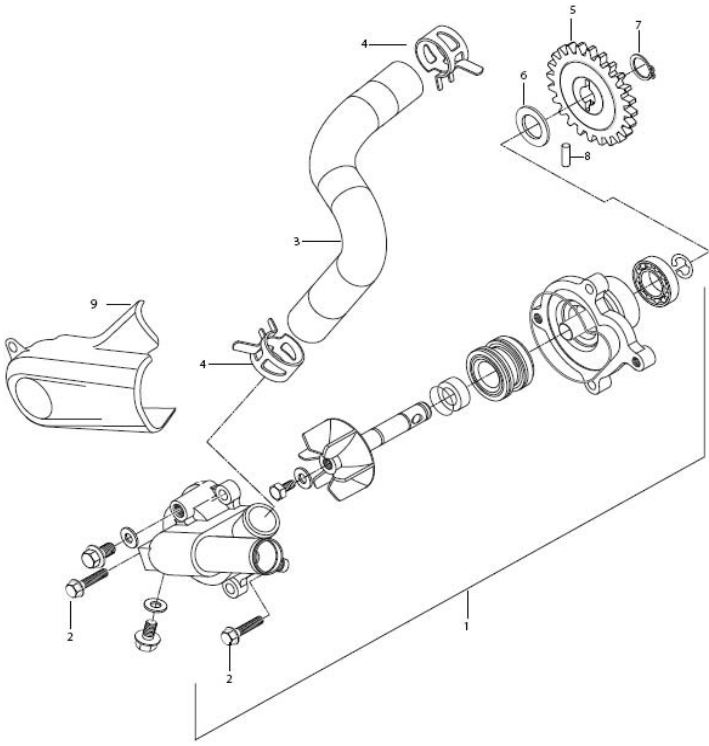


FIG 16. RADIATOR HOSE

REF. NO.	PART NUMBER	PART NAME	Q'ty
0	17610HP9300HPA	THERMOSTAT COMP	1
1	17621HP93000S1	CONNECTOR COMP, thermostat inlet	1
2	17631HP9300	CAP, thermostat connector	1
3	17741HP9501	HOSE, radiator inlet	1
4	17751HP9501	HOSE, radiator outlet	1
5	09401H26402	CLAMP, radiator inlet hose radiator side	3
6	09401H31402	CLAMP, radiator inlet hose thermostat side	1
7	01547-06208	BOLT, thermostat connector	2
8	17641HN9100	HOSE, thermostat bypass	1
9	09401H13401	CLAMP, thermostat bypass hose	2
10	17661HN9100	HOSE, connector inlet	2
11	09401H24402	CLAMP, connector inlet hose	4
12	17610HN9100	THERMOSTAT COMP	1
13	17650HP9300	SENSOR,water temperature	1
14	17981HP9501	HOSE, reserver tank inlet	1
15	09401H11403	CLAMP, reserver tank	3
16	17911HP9503	TANK, reserver	1
17	09136-06017	SCREW, reserver tank	1
18	52533HN9160	HOSE, reserver tank overflow	1
19	17921HN9100	CAP, reserver tank	1
20	17720HN9100	CAP COMP, radiator	1
21	17912HN9100	CUSHION, reseve tank	2
22	09320-09016	CUSHION.	1
23	17731HP9500	CASE, radiator cap	1
24	09401H13401	CLAMP.	2
25	17771HP9501	HOSE, radiator cap case	1
26	17780HP9500PLA	COVER COMP, radiator outlet hose	1
27	68170HN9100	LABEL,RADIATOR	1
28	17622HN9102	UNION,thermost connector	1
29	07110-06108	UNION,thermost connector	1
30	17680HN9101	BOLT, CONNECTOR HOSE UNION	2
31	09280H19001	UNION COMP,CONNECTOR	2
32	17705HP9503	O-RING,CONNECTOR HOSE UNION	2

FIG. 16

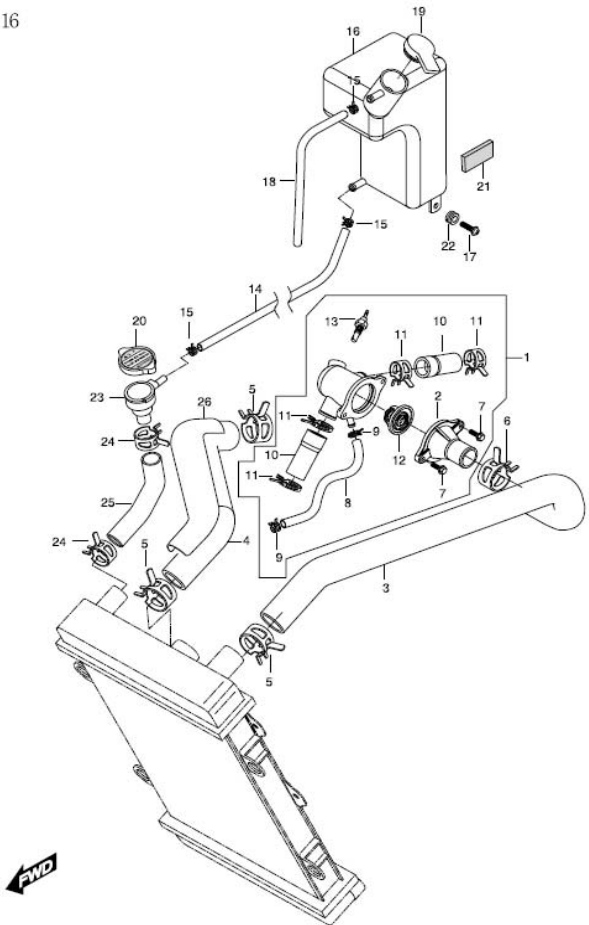


FIG 17-1.COVER

REF. NO.	PART NUMBER	PART NAME	Q'ty
1	18581HP9500	COVER, decoration	2
2	09136-06022	SCREW, decoration cover	2
3	09320-09016	CUSHION, decoration cover	2
4	09180-06114	SPACER, decoration cover cushion	2
5	18490HP9500	BRACKET COMP, decoration cover LH	1
6	18590HR9800	BRACKET COMP, 2nd air valve	1
7	01547-06148	BOLT, 2nd air bracket	2

FIG.17-1

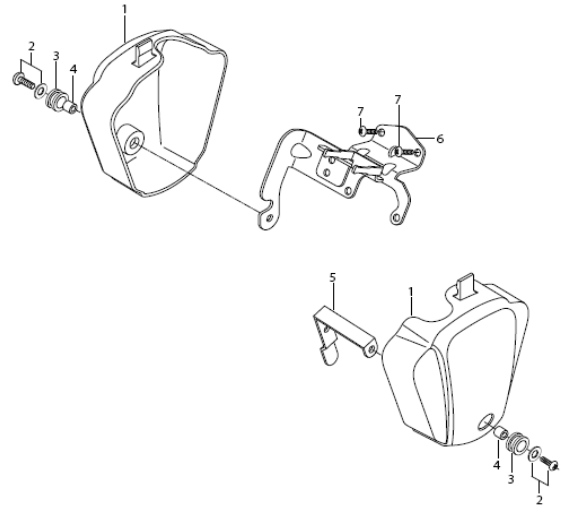


FIG 18. CLUTCH ASSY

REF. NO.	PART NUMBER	PART NAME	Q'ty
1	21210HN9101HPA	GEAR COMP, primary driven	1
2	09167H20001	WASHER, clutch sleeve hub thrust	1
3	21411HN9102	HUB, clutch sleeve	1
4	09160H20003	WASHER, primary driven gear thrust	1
5	09140H20001	NUT, clutch sleeve hub	1
6	23114HN9100	ROD, clutch push	2
7	23110HN9102	ROD COMP, clutch push M	1
8	019136-06017	STOPPER, clutch release camshaft oil	1
9	21441HN9100	PLATE, clutch drive	6
10	21451HN9100	PLATE, clutch driven	6
11	23121-38201	PIECE, clutch push	1
12	09134-06010	SCREW, clutch release adjuster	1
13	08310-22068	NUT, clutch release adjust	1
14	09263H15001	BEARING, clutch release thrust	1
15	09160-15015	WASHER, clutch release thrust	1
16	21462HN9101	DISK, clutch pressure	1
17	09440H20003	SPRING, clutch	6
18	21471HN9102	RETAINER, clutch spring	6
19	09100H06009	BOLT, clutch spring	6
20	23271HN9100	ARM, clutch release	1
21	09282H12002	OIL SEAL, clutch release camshaft	1
22	08211-12281	THRUST WASHER, clutch release cam shaft	1
23	23122HN9100	SHAFT, clutch release cam	1
24	01107-06208	BOLT, clutch release arm	1
25	21442HN9110	PLATE, clutch driven No.2	1
26	21443HN9100	WASHER, clutch wave	1
27	21444HN9101	SEAT, clutch wave washer	1
28	21251HN9102	SPACER, primary driven gear	1

FIG 18

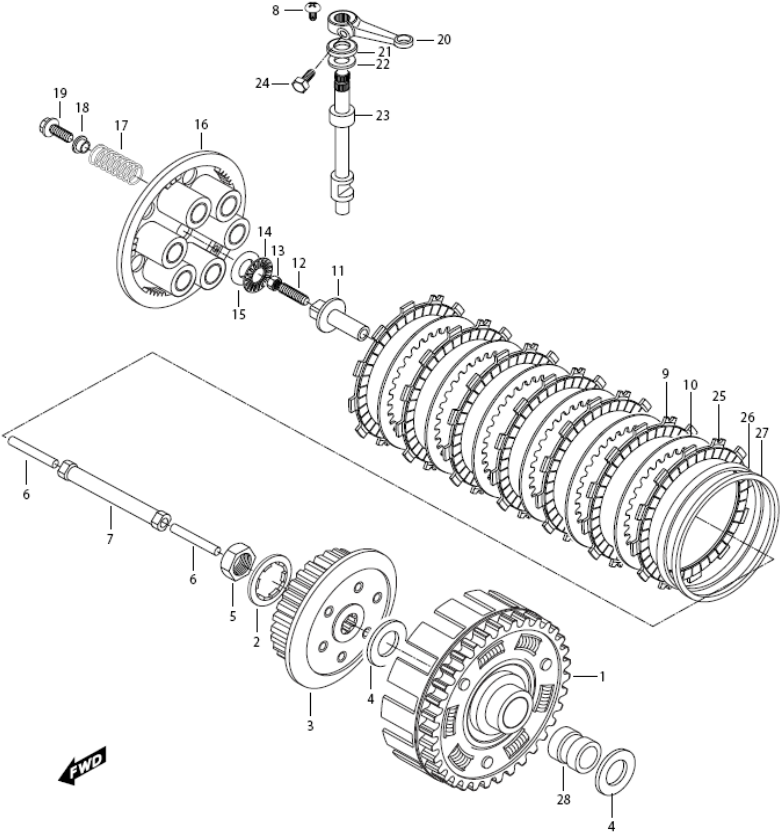


FIG 19. TRANSMISSION

REF. NO.	PART NUMBER	PART NAME	Q'ty
----------	-------------	-----------	------

32	09280H24001	O-RING, engine sprocket	1
33	09167H25004	WASHER,E/G Sprocket	1
34	09167H25001	WASHER,6TH DRIVE GEAR	1
35	09380H25001	CILCLIP, 2nd driven gear	1
36	24322HN9100	BUSH, 2nd driven gear	1
37	09181H17001	SHIM, drive shaft	1
38	09380H25001	CILCLIP, 2nd drive gear	1
39	09380H22001	CILCLIP, 2nd drive gear	1
40	24761HN9102	PIPE, transmission oil	1
41	24741HN9100	RETAINER, transmission oil pipe	1
42	02112-06128	SCREW, transmission oil pipe retainer	1
43	24252HN9100	BUSH, 5th driven gear	1
44	09181H25001	SHIM, 5th driven gear	1
45	24332HN9100	BUSH, 4th driven gear	1
46	09167H25003	WASHER, thrust washer lock	1
47	24332HN9100	BUSH, 3rd driven gear	1

FIG.19

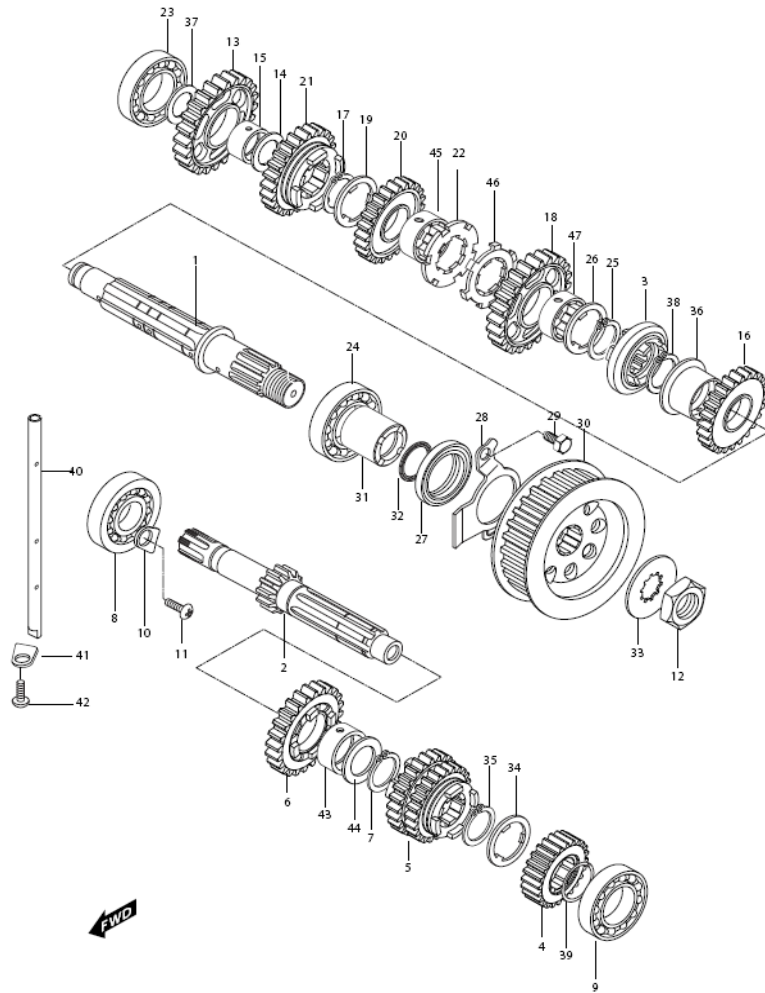


FIG 20. GEAR SHIFTING

REF. NO.	PART NUMBER	PART NAME	Q'ty
1	25231HN9100	FORK, gear shift No.3	1
2	25211HN9100	FORK, gear shift No.1	1
3	25411HN9100	SHAFT, gear shift fork No.1	1
4	25421HN9100	SHAFT, gear shift fork No.2	1
5	25310HP9500	CAM COMP, gear shift	1
6	25221HN9100	FORK, gear shift No.2	1
7	25380HN9104	PLATE COMP, gear shift cam	1
8	04221-04089	PIN, gear shift cam plate	2
9	25321HN9100	BOLT, gear shift cam plate	1
10	24741HN9100	RETAINER, gear shift cam bearing R	2
11	09262H25002	BEARING, gear shift cam R	2
12	09261-04002	PIN, gear shift cam plate	6
13	02122-06128	SCREW, gear shift cam bearing retainer	2
14	09263H25001	BEARING, gear shift cam L	1
15	09440-04010	SPRING, gear shift shaft contact	1
16	09209-05011	CONTACT, gear position sensor	1
17	09440H17001	SPRING, gear shift cam drive plate	1
18	09181H14001	SHIM, gear shift shift thrust	2
19	09280-26003	O-RING, gear shift switch	1
20	37720HR8600	SWITCH ASS'Y, gear shift	1
21	02112-95208	SCREW, gear shift switch	2
22	09140-06011	NUT, gear shift link rod L (M6)	2
23	09448H17001	SPRING, gear shift cam stopper	1
24	09111-06019	BOLT, gear shift cam stopper	1
25	25350HN9100	STOPPER COMP, gear shift cam	1
26	08211-06121	WASHER, gear shift shaft thrust	1
27	25521HN9100	PLATE, gear shift cam drive	1
28	25510HP9500	SHAFT COMP, gear shift	1
29	09444H20011	SPRING, gear shift shaft return	1
30	25525HP9500	ROD, gear shift link	1
31	25671-01000	STOPPER, gear shift arm	1
32	09160H14003	WASHER, gear shift shaft thrust	1
33	08331-31149	CIRCLIP, gear shift shaft	3
34	09283H14002	SEAL, gear shift shaft oil	1
35	25520-32C00	ARM COMP, gear shift link	1
36	01107-06208	BOLT, gear shift link arm (M6X10)	1
37	08310-11068	NUT, gear shift link rod R (M6)	1

FIG 20

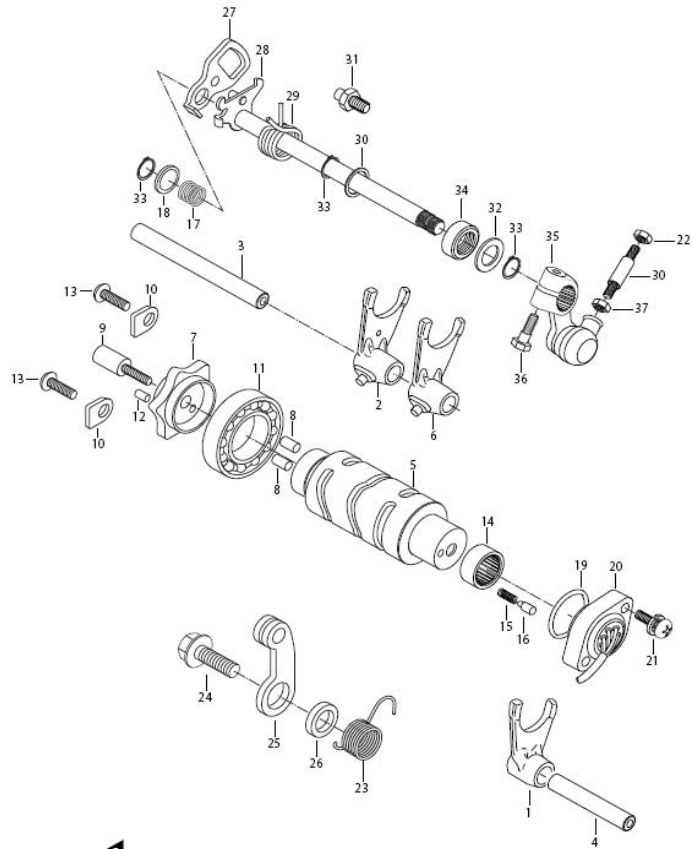


FIG 21. STARTING MOTOR

REF. NO.	PART NUMBER	PART NAME	Q'ty
----------	-------------	-----------	------

1	31100HN9100	MOTOR ASSY, starter	1
2	08316-16068	NUT, starter motor terminal	1
3	08313-21068	NUT, starter motor bracket	2
4	01547-06308	BOLT, starter motor bracket	2

FIG 21

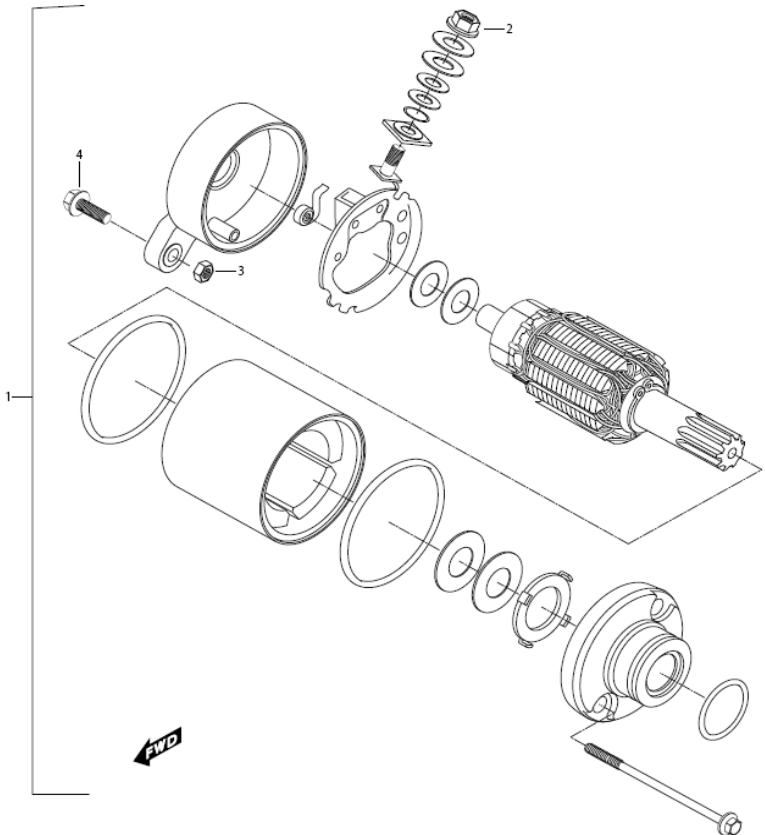


FIG 22. MAGNETO ASSY

REF. NO.	PART NUMBER	PART NAME	Q'ty
1	32100HP9301	MAGNETO ASS'Y	1
2	32101HP9300	STATOR ASS'Y	1
3	32102HP9300	ROTOR ASS'Y, fly wheel	1
4	02142-05128	SCREW, pick-up coil(M5X12)	2
5	07110-06308	BOLT, magneto stator	3
6	09103H12001	BOLT, magneto	1
7	09420H04001	KEY, magneto	1
8	09160H12003	WASHER, magneto	1

FIG 22

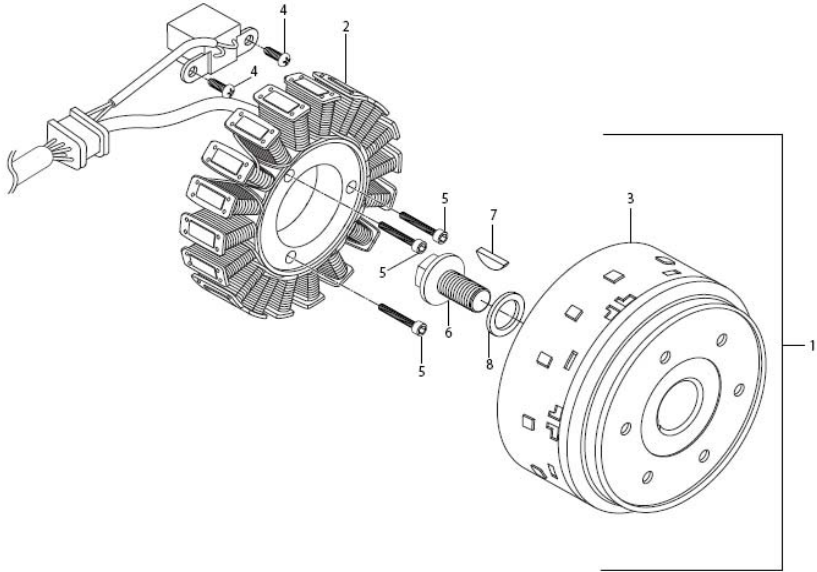


FIG 23. BATTERY

REF. NO.	PART NUMBER	PART NAME	Q'ty
----------	-------------	-----------	------

1	33610HM8100	BATTERY ASS'Y(12V 12Ah. STX14-BS)	1
2	33860HP9502	LEAD WIRE, battery minus	1
3	09462H00009	BAND, battery	1

FIG 23

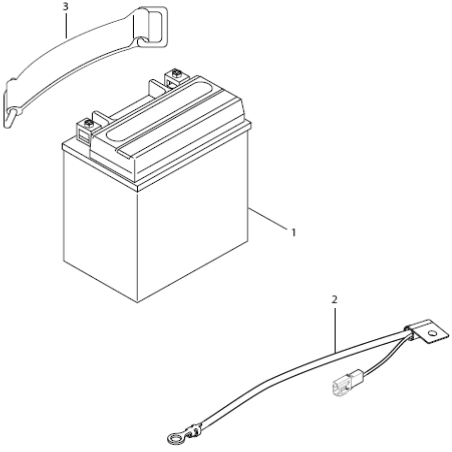


FIG-24. ELECTRICAL

REF. NO.	PART NUMBER	PART NAME	Q'ty
1	31800HG5100	RELAY ASS'Y, starting motor	1
2	08316-26066	NUT, starter motor relay terminal	2
3	33840HP9502	LEAD WIRE, battery plus	1
4	33860HP9501	LEAD WIRE, starter motor	1
5	32800HP9300	RECTIFIER regulator ass'y	1
6	01517-06166	BOLT, rectifier	2
7	33410HP9310	COIL ASS'Y, ignition front	1
8	33430HP9310	COIL ASS'Y, ignition rear	1
9	09128-06035	BOLT, ignition coil	4
10	33500HP9500	CAP ASS'Y spark plug	1
11	33541-23E01	SEAL, spark plug	2
12	33510-05C01	CAP, spark plug	2
13	33542-98000	SEAL, high tention cord	2
14	33545HP9500	BUSH, spark plug cap	2
15	32900H89800	UNIT, engine con trol	1
16	38740HM5401	RELAY ASS'Y	2
17	38740HP7600	RELAY ASS'Y.	3
18	01517-06166	BOLT, relay	2
19	36740-35C00	BOX ASS'Y, fuse (15A)	1
20	36740HN9100	BOX ASS'Y, fuse (30A)	1
21	38610HR9700	RELAY ASS'Y, turnsignal	1
22	38742HP7600	BRACKET, relay	1
23	38615HR9800	BRACKET, relay mowule	1
24	01517-06166	BOLT, reay bracket	4
25	32820HR9800	BRACKET, retifier regulator	1
26	01517-06256	BOLT, bracket regulator	2

FIG 24

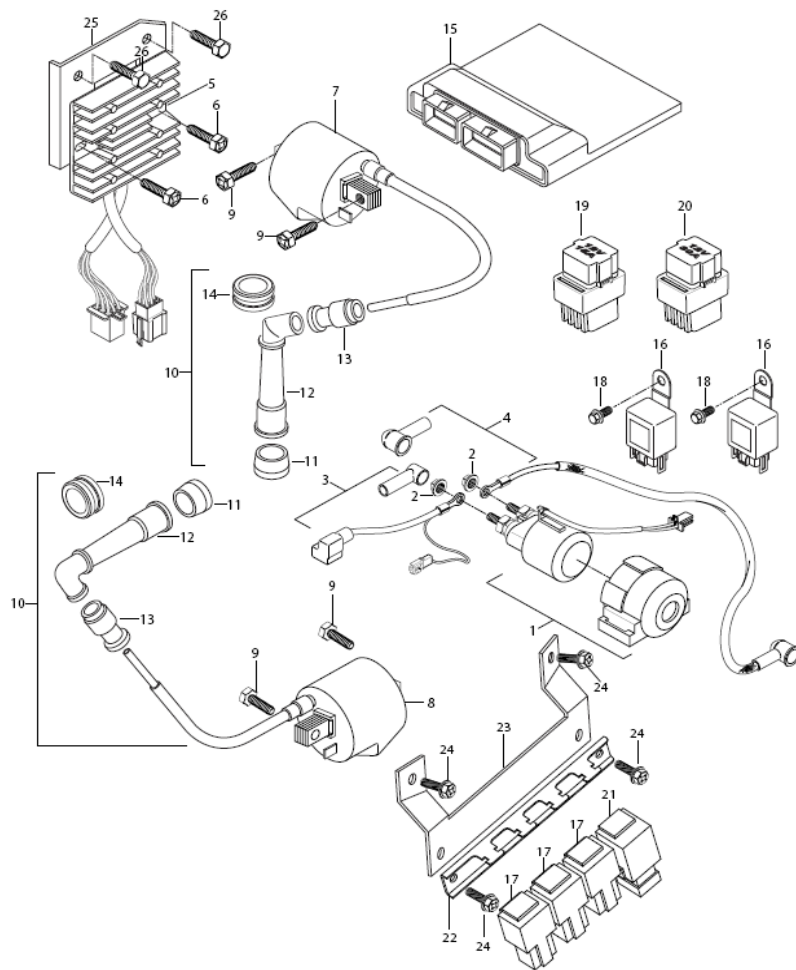


FIG-25. SPEEDOMETER ASS'Y

REF. NO.	PART NUMBER	PART NAME	Q'ty
1	34100HR9850	SPEEDOMETER ASS'Y	1
1-1	34111HR9800	PCB +DISPLAY ASS'Y,speed meter	1
2	34150HP9500	WINDOWS, case	1
3	34160HP9500	CASE SUB, housing	1
4	34120HP9500	DECOLATION, speedometer	1
5	34950HP9500	BRACKET,speedometer	1
6	34170HR9800	WIRING ASS'Y, speedometer	1
7	02112-95158	BOLT, speedometer bracket	2

FIG 25

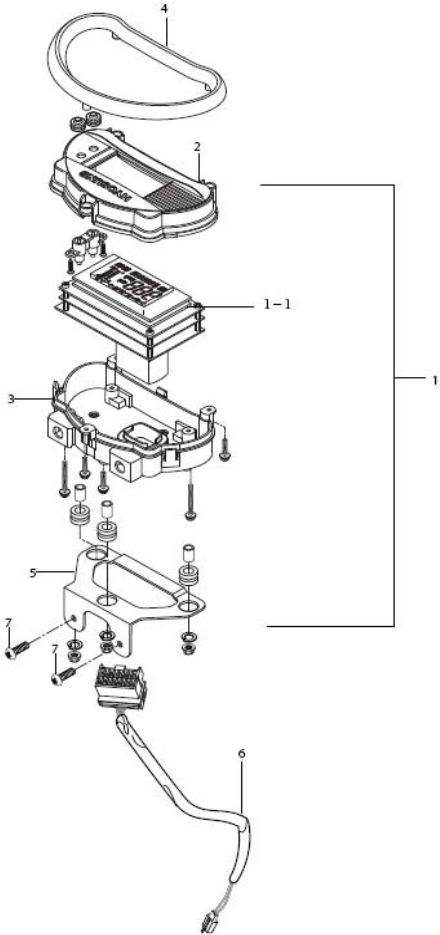


FIG 26. HEAD LAMP

REF. NO.	PART NUMBER	PART NAME	Q'ty
1	35100HP9500	HEAD LAMP ASS'Y(12v H4 60/55w)	1
2	35120HP9500	REFLECTOR, head lamp	1
3	35111HP9500	RIM, head camp	1
4	35173HP9500	DUST COVER	1
5	09471H12103	BULB, head lamp (12v)	1
6	09471H12110	BULB, head lamp low(12v)	1
7	35160HP9500	SOCKET ASS'Y, position	1
8	09148-05039	NUT, head lamp	2
9	09404-08403	SCREW, head lamp	1

FIG.26

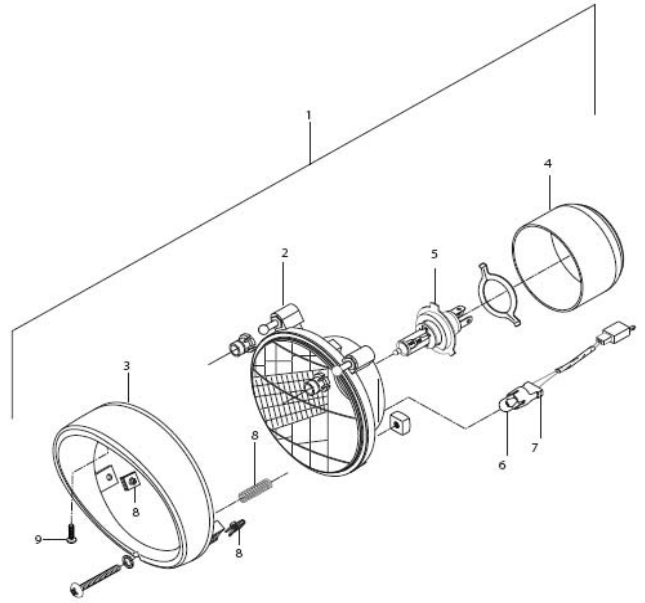


FIG 27. FRONT TURN SIGNAL LAMP

REF. NO.	PART NUMBER	PART NAME	Q'ty
1	35601HP9501	LAMP ASS'Y, Ft turnsignal R	1
2	35602HP9501	LAMP ASS'Y, Ft turnsignal L	1
3	35614HP9500	REFLECTOR,turnsignal	2
4	09471H12112	BULB, (12V)	2
5	02142-05128	SCREW, turnsignal lamp	2
6	35609H93B00	VINYL WASHER	2
7	35612HP9500	LENS, Ft turnsignal R	1
8	35632HP9500	LENS, Ft turnsignal L	1

FIG.27

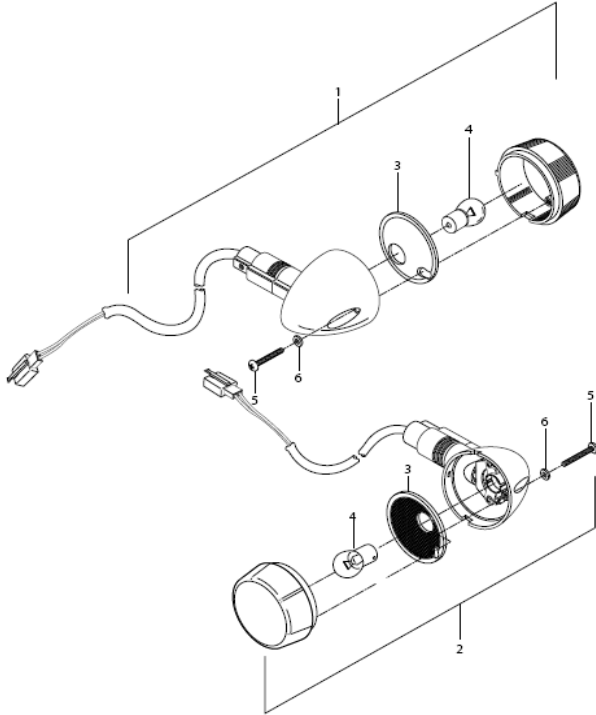


FIG 27-1. REAR TURN SIGNAL LAMP

REF. NO.	PART NUMBER	PART NAME	Q'ty
1	35603HP9501	LAMP ASS'Y, Rr turnsignal R	1
2	35604HP9501	LAMP ASS'Y, Rr turnsignal L	1
3	35614HP9500	REFLECTOR	2
4	03211H12112	BULB(12V, 10W)	2
5	02142-05246	SCREW, turnsignal lamp	2
6	35609H93B00	VINYL WASHER	2
7	09160-06019	WASHER, Rr turnsignal	2
8	08316-26066	NUT, Rr turnsignal	2
9	35632HP9500	LENS, RR turnsignal R	1
10	35612HP9500	LENS, RR turnsignal L	1

FIG.27-1

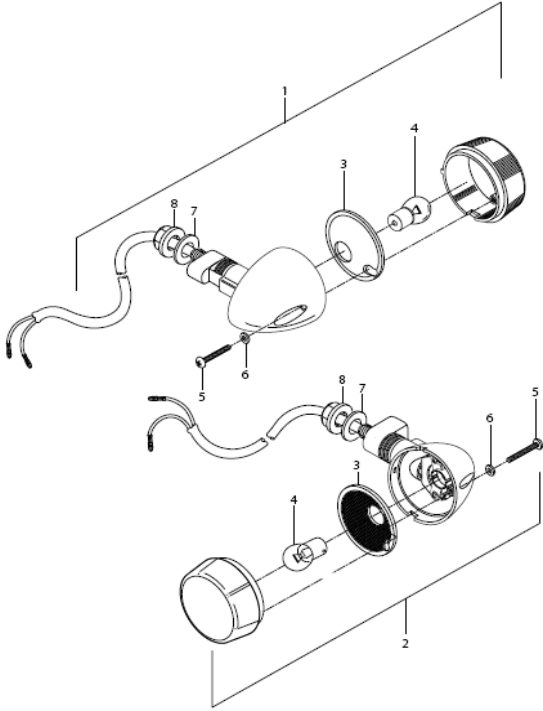


FIG 28. WIRING HARNESS

REF. NO.	PART NUMBER	PART NAME	Q'ty
1	36610H89800	HARNESS, wiring	1
2	38500HP9500	HORN ASS'Y	1
3	37110HP9500	SWITCH ASS'Y, ignition	1
4	01517-06166	BOLT, ignition switch	2
5	37740HP9500	SWITCH ASS'Y, rear stop	1
6	09106H06150	SCREW, horn	1
7	09407-14403	CLAMP.	2
8	09407-22402	CLAMP.	1
9	09407-14408	CLAMP.	4
10	09407-20406	CLAMP.	3
11	09443H06017	SPRING, stop lamp switch	1
12	38520HP9500	BRACKET, horn	1
13	09106-10050	BOLT, horn bracket	1
14	36670HP9500	LEADWIRE, rear combi	1
15	17660H89810	LEAD WIRE, sensor parts	1
16	37895H89800	BRACKET, tip over sensor	1
17	37890HP8810	SENSOR, tip over	1
18	09160H04005	WASHER, tip over sensor	4
19	09126H04025	SCREW, tip over sensor	2
20	01517-061666	BOLT, bracket tip over sensor	2

FIG.28

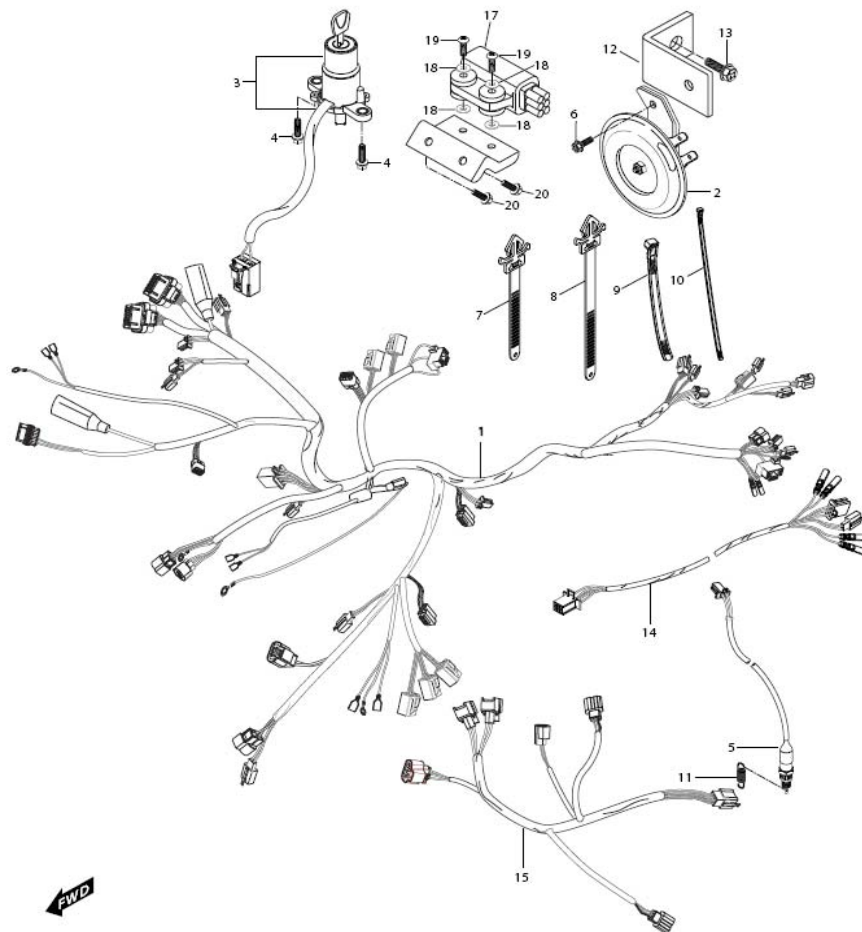


FIG 29. REAR COMBINATION

REF. NO.	PART NUMBER	PART NAME	Q'ty
----------	-------------	-----------	------

1	35710HP9500	LAMP ASS`Y, tail & stop	1
2	03241-05166	SCREW, tail & stop	2

FIG 29

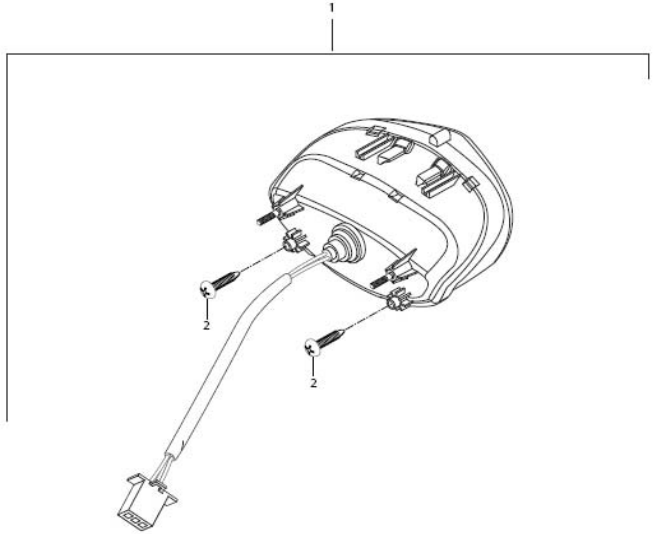
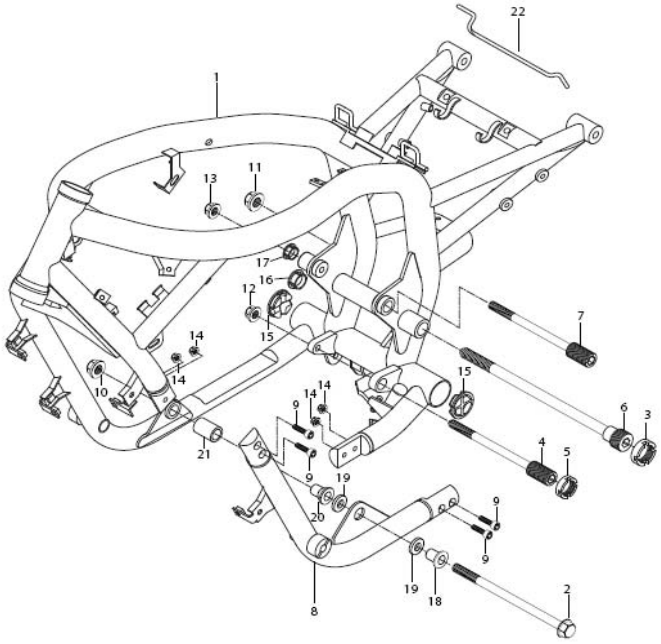


FIG 30. FRAME

REF. NO.	PART NUMBER	PART NAME	Q'ty
1	41100HR9800PAM	FRAME COMP	1
2	41165HP9501	SHAFT, engine mounting front	1
3	09141H26001	LOCK NUT, RR swinginggarm pivot	1
4	41191HN9101	SHAFT, engine mounting RR lower	1
5	09141H20001	LOCK NUT, engine mounting RR lower	1
6	61211HP9501	SHAFT, RR swinginggarm pivot	1
7	41181HP9500	SHAFT, engine mounting RR upper	1
8	41150HP9501PAM	TUBE COMP, frame down L	1
9	07110-08358	BOLT, frame joint	4
10	08316-16088	NUT, engine mounting front	1
11	08319-31128	NUT, rear swingingarm pivot	1
12	08319-31108	NUT, engine mounting RR lower	1
13	08319-31108	NUT, engine mounting RR upper	1
14	08316-16088	NUT, frame joint	4
15	41975HP9501	CAP, frame bridge lower tube	2
16	41977HP9500	CAP, rear swingingarm pivot R boss	1
17	41976HP9501	CAP, E/G M.T.G RR plate R boss	1
18	41170HP9500	SPACER COMP, engine mounting front L	1
19	09320H12025	CUSHION COMP, engine mounting front L	2
20	41167HP9500	SPACER, engine mounting front L	1
21	41161HP9500	SPACER, engine mounting front R	1
22	44185HP9501	STAY, fuel tank	1

FIG 30



FWD

FIG 31. PROP STAND

REF. NO.	PART NUMBER	PART NAME	Q'ty
----------	-------------	-----------	------

1	42310HP9501PLA	STAND COMP, prop	1
2	09111H10052	BOLT, prop stand	1
3	08310-22106	NUT, prop stand	1
4	09443-15047	SPRING, prop stand outer	1
5	09443-06001	SPRING, prop stand inner	1
6	08221-12225	SHIM, prop stand	1
7	37840HP9500	SWITCH ASS'Y, side stand	1
8	01517-06206	BOLT, side stand No.1	2

FIG 31

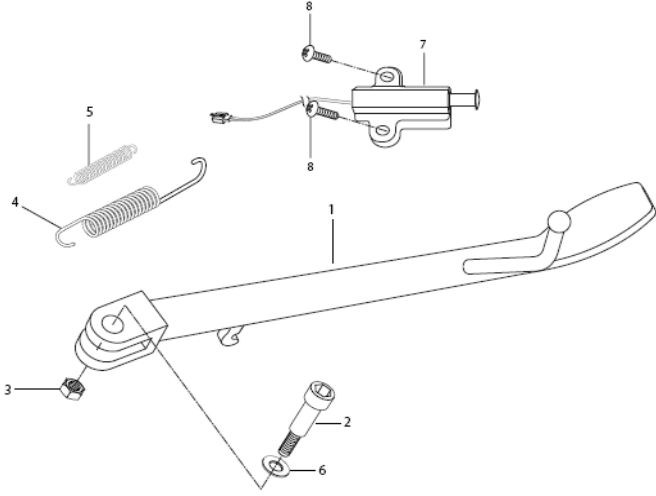


FIG 32. REAR BRAKE

REF. NO.	PART NUMBER	PART NAME	Q'ty
1	43110HP9502PLA	PEDAL COMP, brake	
2	43510HP9502PLA	BOSS, fit footrest	
3	43580HP9502PLA	BRACKET COMP, fit footrest joint RH	
4	09163H10149	BOLT, fit footrest	
5	09443H10011	SPRING, fit brake pedal return	
6	43550H93B00	RUBBER COMP, fit footrest	
7	43501HP9500	FOOTREST ASSY, front RH	
8	69609HP9501	CYLINDER ASS'Y rear master	
9	69740HM8100	TANK ASS'Y vior reser	
10	69700HP9501	HOSE, reserver tank	
11	09400H13001	CLAMP, reserver tank hose	
12	01517-06168	BOLT, reserver tank	
13	08321-31108	WASHER, reserver tank	
14	43571HP9500	BAR, front footrest RH	
15	09448H16001	SPRING, front footrest bar	
16	08332-11106	E-RING, front footrest	
17	07110-06128	BOLT, front footrest bar	
18	43579HP9500	PIN, front footrest bar	
19	43572HP9500PLA	CAP, fit footrest boss	
20	07110-10258	BOLT, fit footrest boss cap	

FIG 32

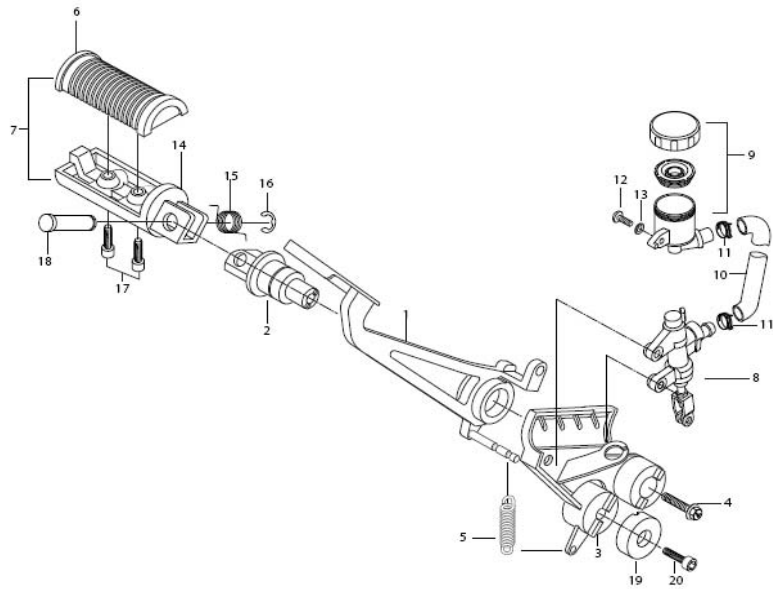


FIG 33. FOOTREST

REF. NO.	PART NUMBER	PART NAME	Q'ty
1	43590HP9501PLA	BRKT COMP, ft footrest joint LH	1
2	25601HP9550	LEVER COMP, gear shift (Lever ASS'Y+ Rod)	
	25600SP9550	LEVER ASSY, gear shift	1
3	43510HP9502PLA	BOSS COMP, ft footrest	2
4	43502HP9500	FOOTREST ASS'Y, front RH	1
5	43581HP9500	BAR, ft footrest LH	1
6	43550H93B00	RUBBER COMP, ft footrest	1
7	07110-06128	BOLT, front footrest bar	2
8	09448H16001	SPRING, ft footrest bar	1
9	43579HP9500	PIN, ft footrest bar	1
10	08332-11106	E-RING, ft footrest	2
11	43661HM8101	BAR COMP, pillion footrest R	1
12	43671HM8101	BAR COMP, pillion footrest L	1
13	43620HP950003P	FOOTREST BAR, pillion R	1
	43620HP9500120	FOOTREST BAR, pillion R	
14	43720HP950003P	FOOTREST BAR, pillion L	1
	43720HP9500120	FOOTREST BAR, pillion L	
15	43641HM8101	PLATE, pillion stopper NO.2	2
16	07120-08258	BOLT, pillion footrest	4
17	43579HM8101	PIN, pillion footrest RH	2
18	09448H14007	SPRING, pillion footrest RH	2
19	08332-11048	E-RING, pillion footrest RH	2
20	43631HM8101	PLATE, pillion stopper NO.1	2
21	43572HP9500PLA	CAP, front footrest boss	2
22	07110-10258	BOLT, front footrest boss cap	2

FIG 33

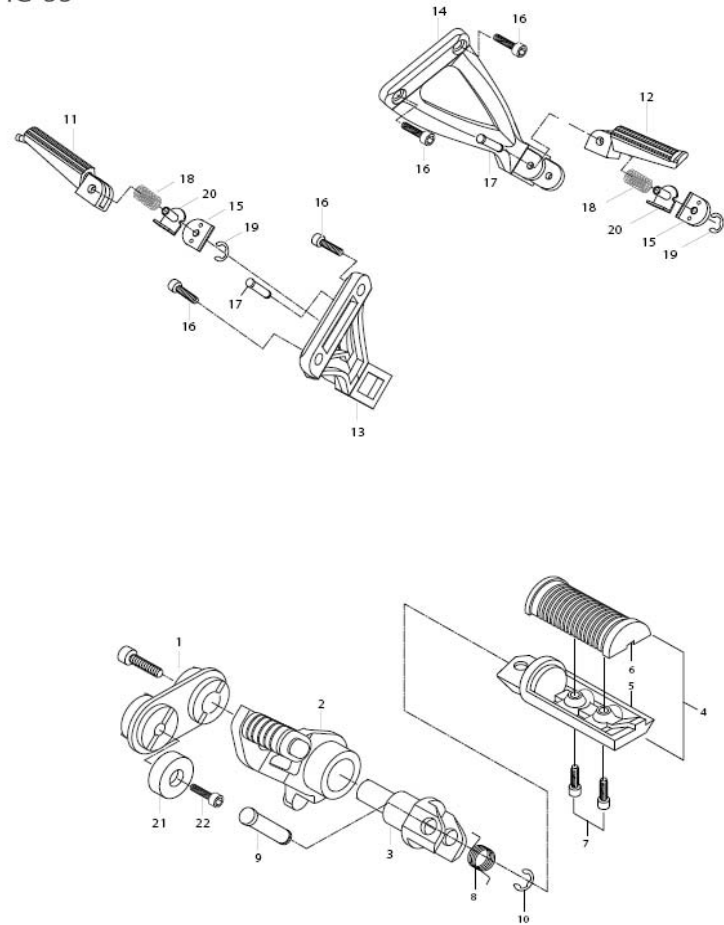


FIG 34. FUEL TANK

REF. NO.	PART NUMBER	PART NAME	Q'ty
1	44110HR9W00	TANK COMP, fuel (CBK,CDS,CWB)	1
*	68120HP9561CR	EMBLEM, FUEL TANK	2
2	44180HP9501	BRKT COMP, fuel tank front lower	1
3	44183HP9502	SPACER, fuel tank front lower brkt	1
4	09103H06001	BOLT, fuel tank front lower brkt & fuel tank	1
5	09329H28001	CUSHION, fuel tank side	2
6	09116H08078	BOLT, fuel tank front brkt	1
7	09320-14013	CUSHION, fuel tank front upper	1
8	09180H08007	SPACER, fuel tank front cushion	1
9	09320H10020	CUSHION, fuel tank front lower	1
10	09116H08078	BOLT, fuel tank RR	2
11	09320-14013	CUSHION, fuel tank RR upper	2
12	09180H08007	SPACER, fuel tank RR cushion	2
13	09320H10020	CUSHION, fuel tank RR lower	2
14	44200H35C30	CAP ASS'Y, fuel tank filler	1
15	09106-05017	BOLT, fuel tank filler	4
16	15100HR9810	PUMP ASS'Y, fuel module	1
17	34825HP9300	PACKING, fuel pump module	1
18	15115HP9300	PLATE, fuel pump module	1
19	09125H04016	SCREW, fuel pump module	10
20	44410HR9800	BRKT COMP, joint lower	1
21	15911HP9300	JOINT, fuel hose	1
22	09169H06078	WASHER, fuel hose joint	1
23	01517-06125	BOLT, joont	1
24	01517-06125	BOLT, joont lower brkt	1
25	15812HP9300	HOSE, fuel pump & joint	1
26	15813HP9300	HOSE, regulator & joint	1
27	15810HR9800	HOSE COMP, fuel injector	1
28	34810HP9501	GAUGE ASS'Y, fuel sender	1
29	09128-06035	BOLT, fuel gauge	2
30	09168-06010	GASKET, fuel gauge	2
31	44150HP950003P	BRKT COMP, fuel tank front upper	1
	44150HP9500PAM	BRKT COMP, fuel tank front upper	1
32	08316-26066	NUT, fuel tank FT upper brkt	2
33	68319H05350PL	LABEL, CAUTION	1
	68319H05380PL	LABEL, CAUTION FOR 7SO01	1
	68319H05390PL	LABEL, CAUTION FOR 7FO01	1

FIG 34

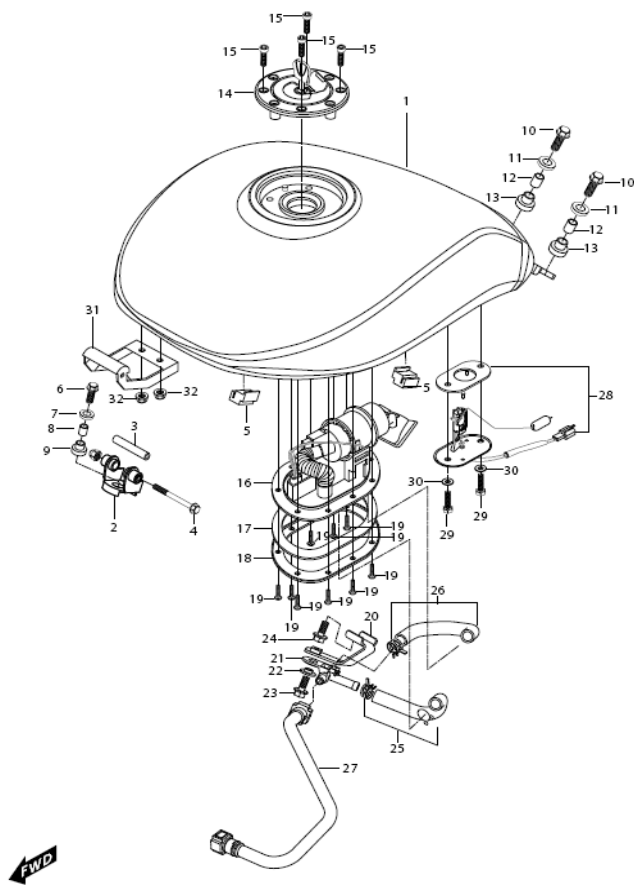


FIG 35. SEAT

REF. NO.	PART NUMBER	PART NAME	Q'ty
1	45100HP9504	SEAT SET	1
2	45278HP9501	BRKT, seat rear	1
3	09321-10001	CUSHION	4
4	47312HP9500	BOLT, tail cover & RR seat brkt	1
5	45176HP9500	CUSHION, seat front	2
6	45177HP9500	CUSHION, seat rear	2
7	08319-31068	NUT	2
8	02142-06256	SCREW	2
9	45175HP9500	BRACKET, seat	1

FIG 35

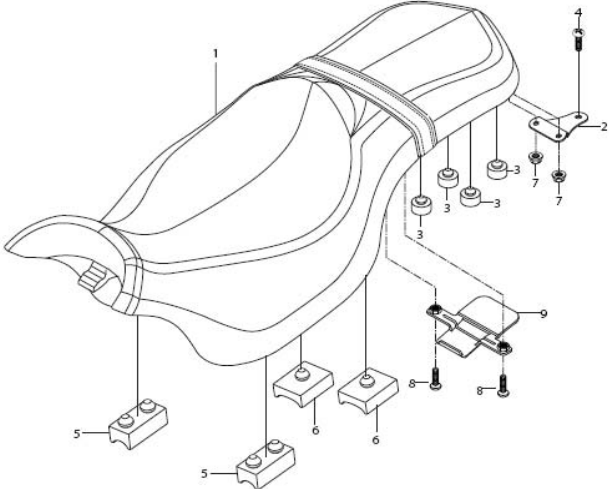


FIG 36. AIR DUCT

REF. NO.	PART NUMBER	PART NAME	Q'ty
1	94665HP9503	COVER, AIR DUCT REAR R	1
2	94666HP9504	COVER, AIR DUCT REAR L	1
3	94661HP9501	COVER, AIR DUCT FRONT R	1
4	94662HP9501	COVER, AIR DUCT FRONT L	1
5	94667HP9501	GRILL, AIR DUCT R	1
6	94668HP9501	GRILL, AIR DUCT L	1
7	64663HP9500	PLATE, AIR DUCT REAR COVER R	1
8	94664HP9500	PLATE, AIR DUCT REAR COVER L	1
9	47511HP950103P	COVER, FRONT SIDE R	1
	47511HP95010BK	COVER, FRONT SIDE R	
10	47512HP950103P	COVER, FRONT SIDE L	1
	47512HP95010BK	COVER, FRONT SIDE L	
11	02142-06166	SCREW, AIRDUCT REAR COVER & FRAME	2
12	09106H06150	BOLT, FRONT SIDE COVER R/L	4
13	09106H06150	BOLT, AIRDUCT RR COVER & PLATE AIRI	2
14	09106H05150	BOLT, AIRDUCT FT COVER & AIRDUCT RF	2
15	09148-05039	NUT, AIRDUCT FRONT COVER R/L	2
16	03241-04128	SCREW, AIRDUCT F/T COVER & GRILL R/L	6
17	03241-05165	SCREW, SPEEDOMETER CASE	2
18	94811HP9501	COVER, RADIATOR	1
19	09106H06150	BOLT, RADIATOR	4
20	09160-06006	WASHER, RADIATOR	4
21	94812HP9502	GRILL, RADIATOR COVER UPPER	1
22	94813HP9502	GRILL, RADIATOR COVER LOWER	1
23	03241-04128	SCREW, RADIATOR & GRILL	13
24	34106HP9501	CASE, SPEEDOMETER FRONT	1
25	34107HP9500	CASE, SPEEDOMETER REAR	1
26	09106H05150	BOLT, SPEEDOMETER CASE	2
27	09320-09016	CUSHION, RADIATOR	4
28	09180-06114	SPACER, RADIATOR	4

FIG 36

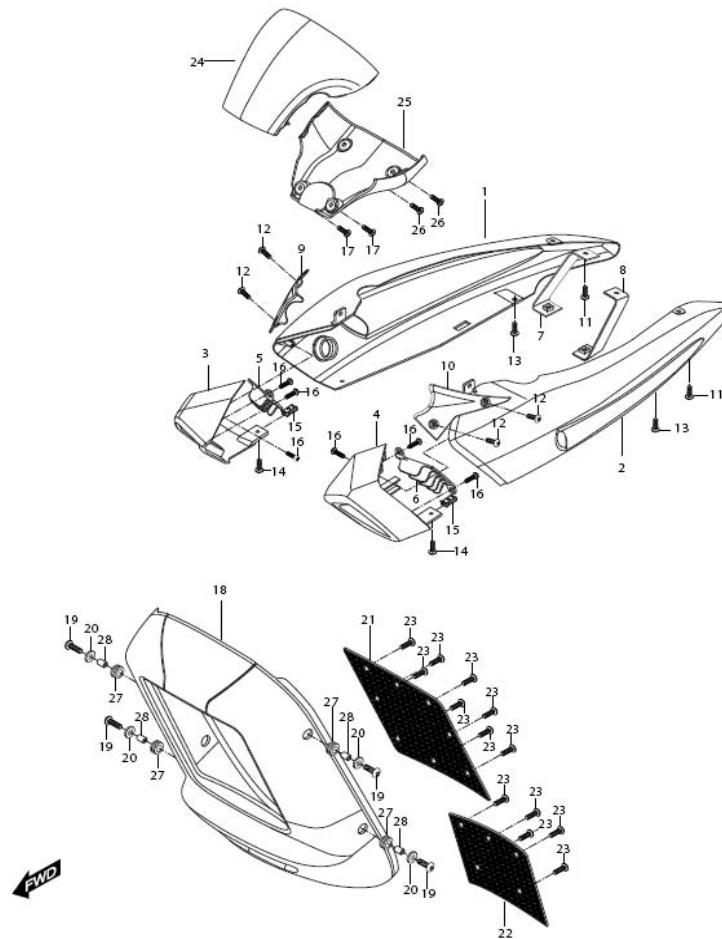


FIG 37. SEAT TAIL COVER

REF. NO.	PART NUMBER	PART NAME	Q'ty
----------	-------------	-----------	------

1	45511HP95100	COVER, seat tail (BK,DS,WB)	
2	63511HP9503	PILLION, rider RH	
3	63521HP9503	PILLION, rider LH	
4	45520HP9502	BRACE COMP, seat tail cover	
5	09180H08129	SPACER.	
6	09320-11008	CUSHION	
7	09180-06030	BOSS, tail cover & seat brkt	
8	01517-06205	BOLT, brace & tail cover	
9	45178HP9501	BRACKET, tail cover & seat	
10	62311HP9502	BOLT, rear sorber upper	
11	09160-17003	WASHER	
12	08321-21086	WASHER.	
13	08321-21086	WASHER.	
14	09100H08001	BOLT, pillion rider RH	
15	09100H08001	BOLT, pillion rider LH	
16	09106H06150	BOLT, tail cover & frame	

FIG 37

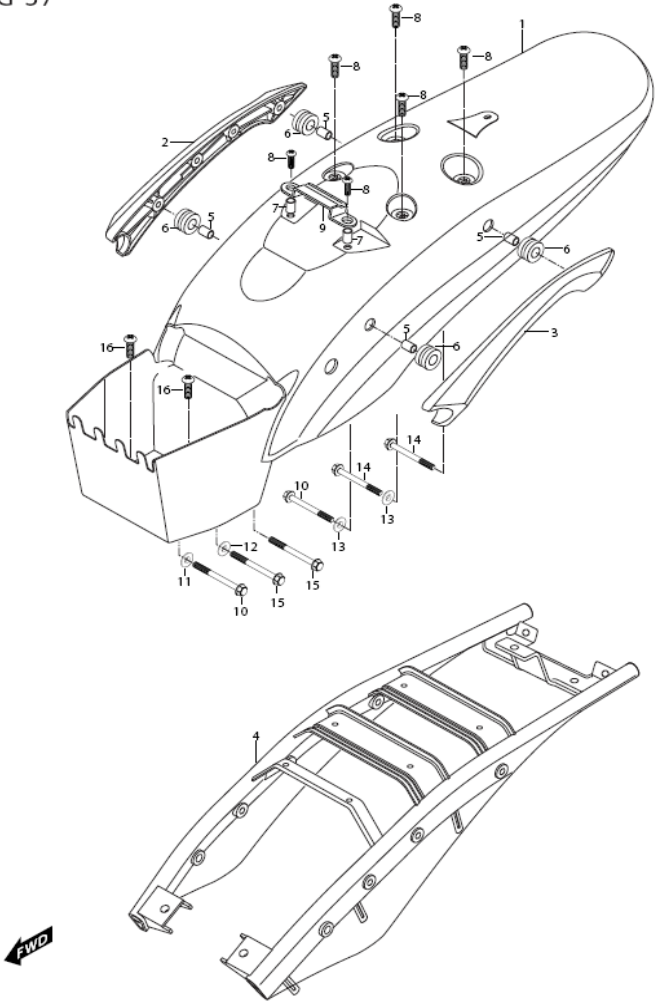


FIG 38. FRONT FORK

REF. NO.	PART NUMBER	PART NAME	Q'ty
1	51100HP9501HPA	FORK ASS'Y, front	1
2	51410HP9500HPA	BRACKET COMP, under	1
3	51411HP9504CR	BRACKET, under	1
4	07110-08258	BOLT, bracket comp under	4
5	09265H28001	BEARING, steering lower	1
6	09265H25001	BEARING, steering upper	1
7	51631-28000	NUT, steering stem	1
8	09166H25001	WASHER, steering stem	1
9	51210HP9501	DAMPER ASS'Y, front fork RH	1
10	51220HP9501	DAMPER ASS'Y, front fork LH	1
11	09106H08458	BOLT, axle grip	4
12	52710--N9100	BOLT, bottom	2
13	52730-G5800	WASHER, seal	2
14	51511HP9501	JOINT, front brake hose	1
15	01517-06308	BOLT, ront brake hose joint	2
16	51631HN9100	NUT, stem upper	1
17	51643HG5801	DUST SEAL, steering stem	1

FIG 38

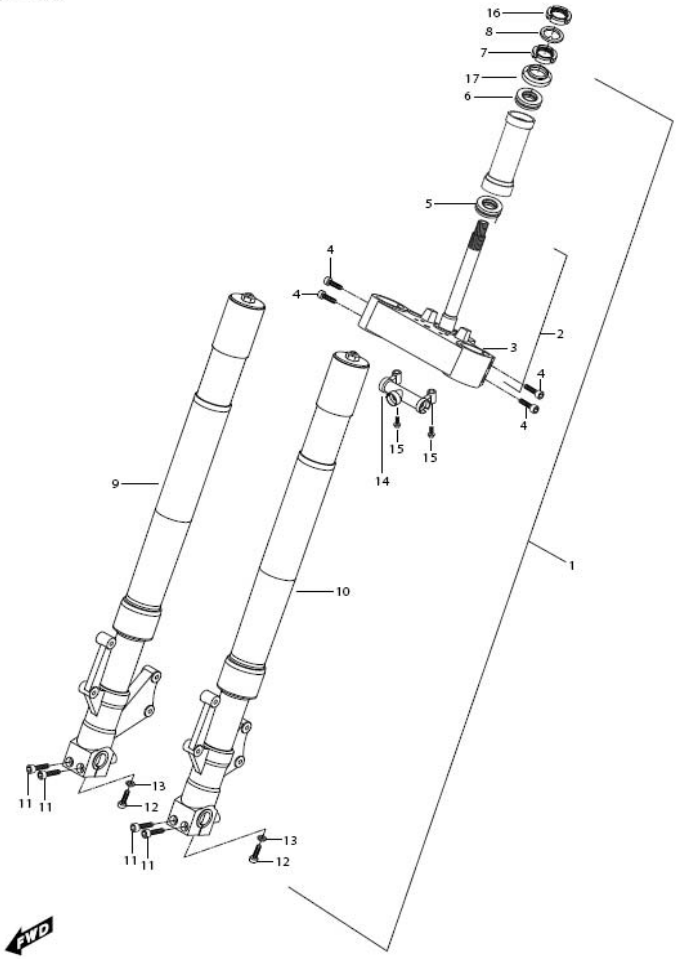


FIG 39. STREERING HEAD

REF. NO.	PART NUMBER	PART NAME	Q'ty
1	51311HP9503CR	BRKT, front fork upper	1
2	51410HP9500HPA	BRKT ASS'Y, under	1
3	51631HN9100	NUT, stem upper	1
4	09166H25001	WASHER, steering stem	1
5	07110-08258	BOLT, front fork upper bracket	4
6	51710HP9501	COVER, turn signal tube	1
7	51720HP9500PLA	TUBE COMP, turn signal	1
8	02142-06166	BOLT, turn signal cover	2
9	02142-05128	SCREW, turn signal lamp & cover	2
10	09169-06032	WASHER, turn signal cover bolt	2
11	51900HP9500	LOCK ASS'Y, steering	1
12	02122-06128	SCREW, steering lock	2

FIG 39

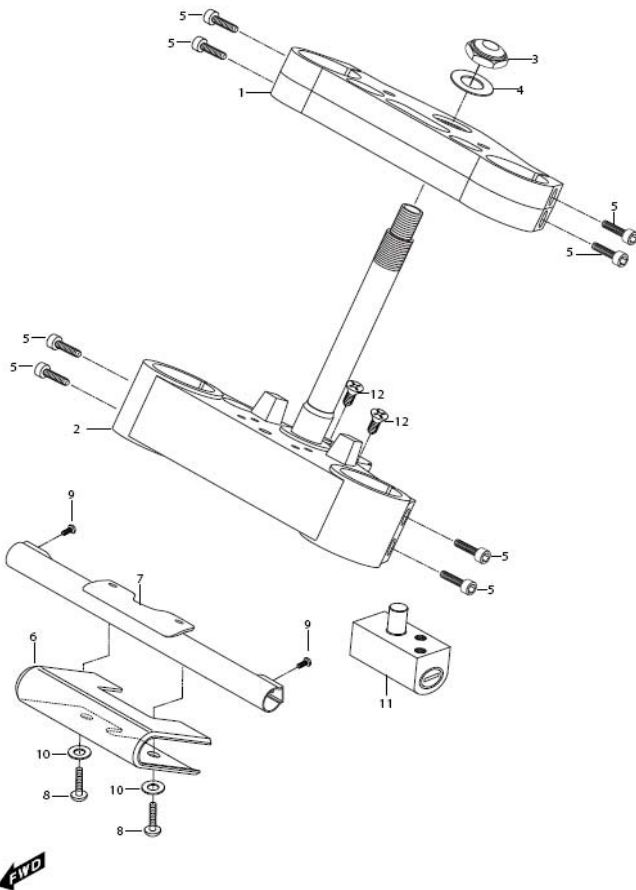


FIG 40. FRONT FENDER

REF. NO.	PART NUMBER	PART NAME	Q'ty
1	53111HP95020	FENDER, FRONT (CBK,DS.WB)	1
2	59430HP9501	CLAMP COMP, F/T BRAKE HOSE R	1
3	59440HP9501	CLAMP COMP, F/T BRAKE HOSE L	1
4	09106H08150	BOLT, FRONT FENDER & CALIPER	2
5	09404-06404	CLAMP, SPEEDOMETER	1
6	53311HP9501	FENDER, FRONT UPPER	1
7	53210HP9503	BRACE COMP, FRONT FENDER	1
8	09106H06200	BOLT, FRONT FENDER	8
9	51821HP9501	HOUSING, HEADLAMP	1
10	09169-05008	WASHER, HOUSING & HEADLAMP	2
11	02112-35168	SCREW, HOUSING & HEADLAMP	2
12	08322-21068	WASHER, FRONT FENDER & BRACE	4
13	09169H06078	WASHER, FRONT FENDER	4
14	08316-26066	NUT, HEADLAMP HOUSING BRKT & UNDI	2
15	09148-04024	NUT, head lamp housing	1
16	09404-06405	CLAMP, head lamp housing	1
17	03241-05106	SCREW, head lamp housing clamp	1

FIG 40

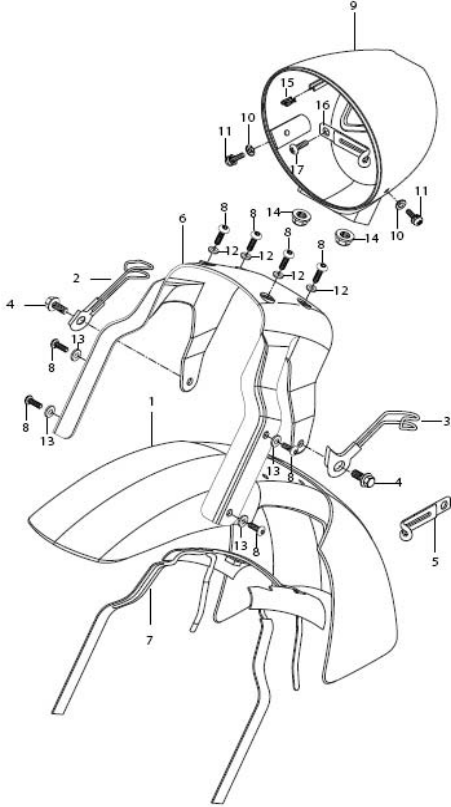


FIG 41. FRONT WHEEL

REF. NO.	PART NUMBER	PART NAME	Q'ty
1	54141HP9500120	WHEEL, front (J18xMT3.51)	1
3	59220HP9502	DISC COMP, front brakel L	1
4	59421-03A01	BOLT, front brake discl	12
5	54711HG5101	AXLE, front	1
6	54750HP9501	SPACER COMP, front axle R	1
7	59421-03A01	NUT, front axle	1
8	54690HM8101	COVER, front wheel	1
9	08124-63027	BEARING, front hub	2
10	54731HP9500	SPACER COMP, front hub	1
11	55220-29C20	VALVE ASS'Y, wheel rim	1
12	59210HP9502	DISC COMP, front brake R	1
13	09283H25002	OIL SEAL, front bearing	1
14	34860HP9201	SENSOR ASS'Y, speedometer	1

FIG 41

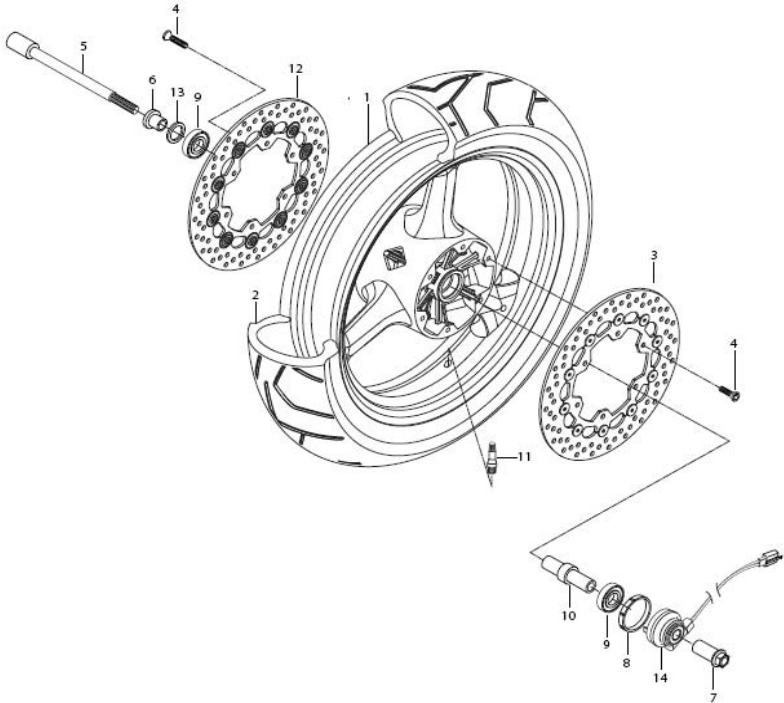


FIG 42. HANDLE BAR

REF. NO.	PART NUMBER	PART NAME	Q'ty
1	56110HP9506PLA	HANDLE BAR COMP	1
2	58200HP9501	CABLE ASS'Y CLUTCH	1
3	58300HR9800	CABLE ASS'Y, throttle	1
4	08319-31126	NUT, handle bar & upper brkt	2
5	56500HP9501	MIRROR ASS'Y, rear view R	1
6	56600HP9501	MIRROR ASS'Y, rear view L	1
7	09200-06004	PIN, clutch cable	1
8	04111-20158	COTTER PIN, clutch	1
9	58600HR9800	CABLE ASS'Y, throttle return	1
10	09408-00002	CLIP	2

FIG 42

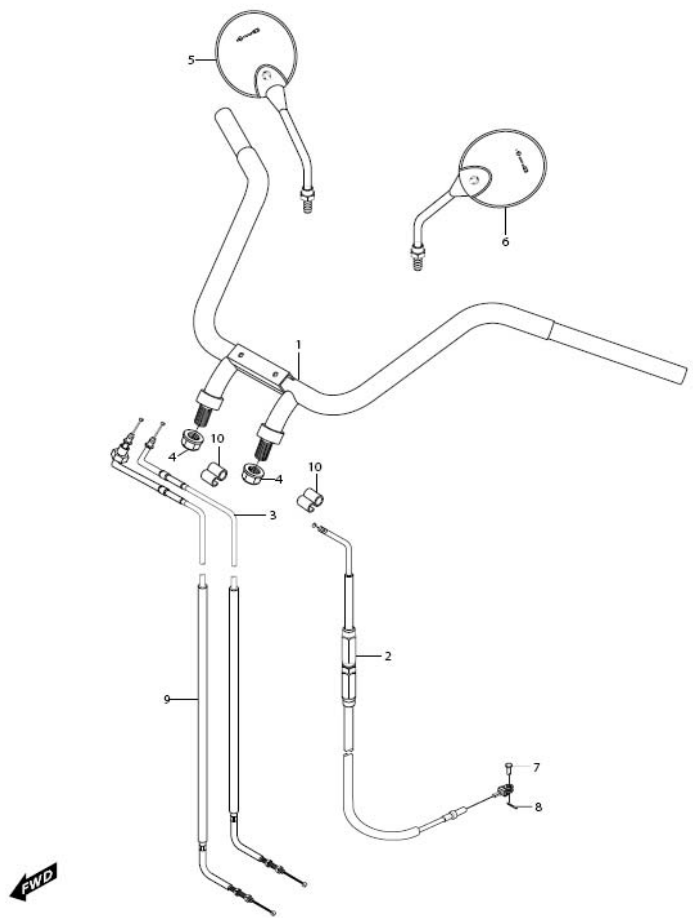


FIG 43. HANDLE SWITCH

REF. NO.	PART NUMBER	PART NAME	Q'ty
1	37200HP9501	SWITCH ASSY, handle R	1
2	57110HG5102	GRIP COMP, throttle	1
3	56271HP9500PLA	BALANCER, handlebar	2
4	57300HN9102	LEVER ASS'Y, brake	1
5	07110-08208	BOLT, handle balancer	2
6	37400HR9800	SWITCH ASSY, handle L	1
7	57210HG5100	GRIP, L	1
8	09407-14403	CLAMP, handle switch harness	2
9	57460-17C00	SWITCH ASSY, clutch	1
10	57431H93B00	BOLT, brake lever pivot	1
11	08319-21068	NUT, brake lever pivot	1
12	57460-17C00	SWITCH ASS'Y, stop	1
13	02112-05105	SCREW, stop switch	1
14	57620HN9101	LEVER COMP, clutch	1
15-A	57500HP9501	LEVER ASSY,clutch	1
15	57511HP9501	HOLDER, clutch lever	1
16	57531N9100	BOLT, clutch lever pivot	1
17	08319-21068	NUT, clutch lever pivot	1
18	57451H93B00	BOLT, clutch lever holder	1
19	57442H93B00	LOCK NUT	1
20	57441H93B00	ADJUSTER, wire	1
21	57661HN9100	COVER, clutch lever	1

FIG 43

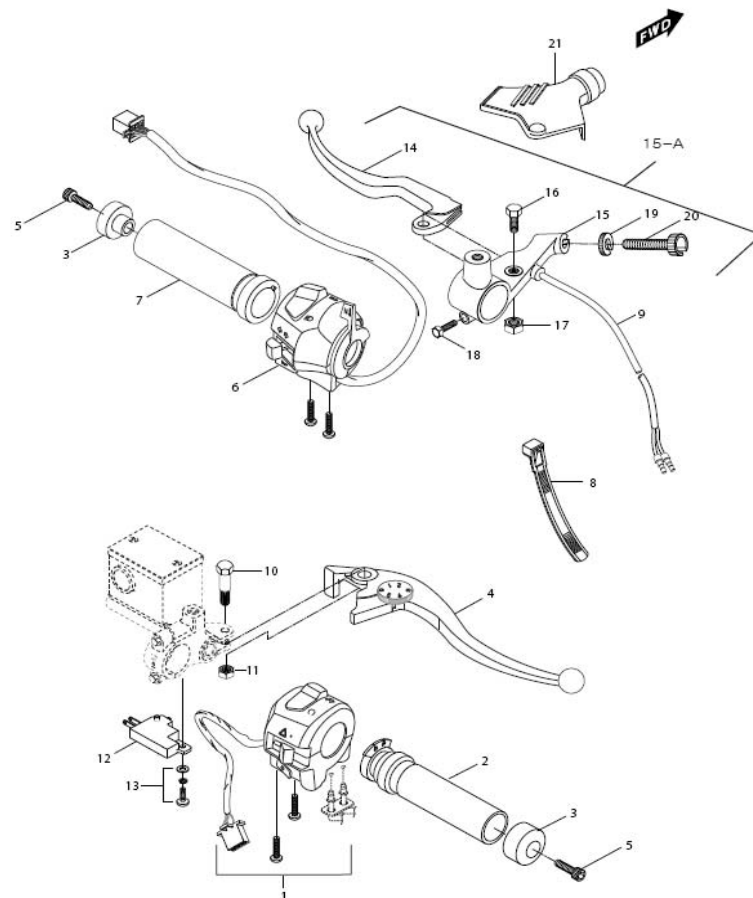


FIG 44. CALIPER LH

REF. NO.	PART NUMBER	PART NAME	Q'ty
0	59300HN9100	CALIPER ASS'Y, L	1
1	07120-08308	BOLT, caliper	2
2	59301HP9500	PAD SET	1

FIG 44

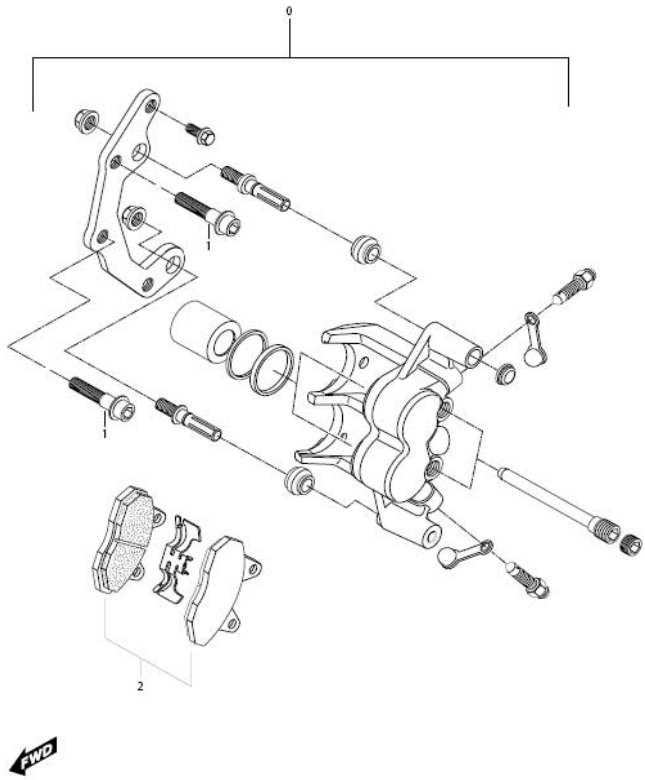


FIG 45. CALIPER RH

REF. NO.	PART NUMBER	PART NAME	Q'ty
0	59400HN9100	CALIPER ASS'Y, R	1
1	07120-08308	BOLT, caliper	2
2	59301HP9500	PAD SET	1

FIG.45

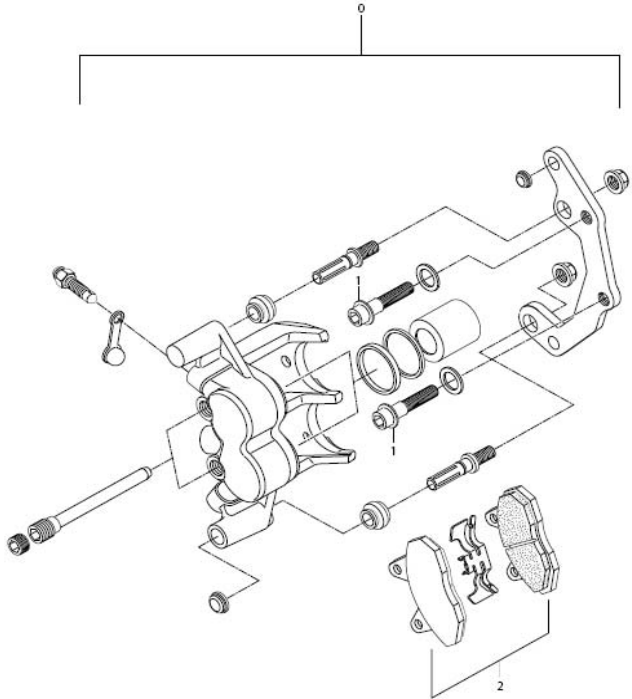


FIG 46. MASTER CYLINDER

REF. NO.	PART NUMBER	PART NAME	Q'ty
0	59600HP9503	CYLINDER ASSY, front master	1
1	59687HM8162	.BODY	1
2	59669SP9510	CAP SET, reservoir (2-A + 2-B)	1
2-A	59669HP9500	CAP, reservoir	1
2-B	59511HP9200	PLATE, reservoir cap	1
3	59600-35C00	.PISTON, SET	1
4	59691-35C00	.SCREW	2
5	59671HP9500	.HOLDER	1
6	01107-35C00	.BOLT, holder	2

FIG.46

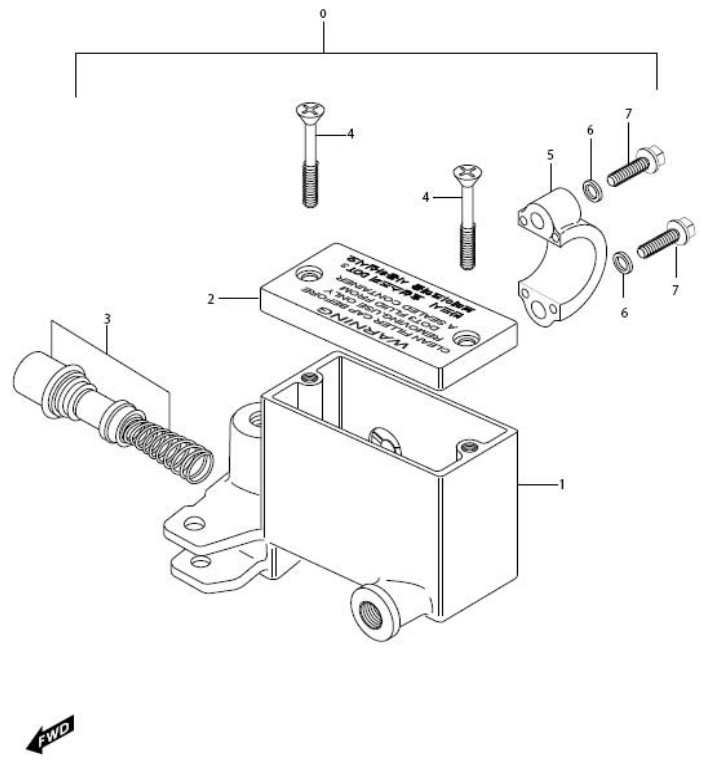


FIG 47. FRONT BRAKE HOSE

REF. NO.	PART NUMBER	PART NAME	Q'ty
----------	-------------	-----------	------

1	59711H49002	BOOT, brake hose	1
2	59460HP9501	HOSE COMP, FT brake R	11
3	09161-10009	WASHER, brake hose	16
4	59450HP9502	HOSE COMP, front brake upper	1
5	69450HP9501	HOSE ASSY, rear brake	1
6	59470HP9501	HOSE COMP, FT brake L	1
7	09360-10039	BOLT, rear brake fluide	8

FIG.47

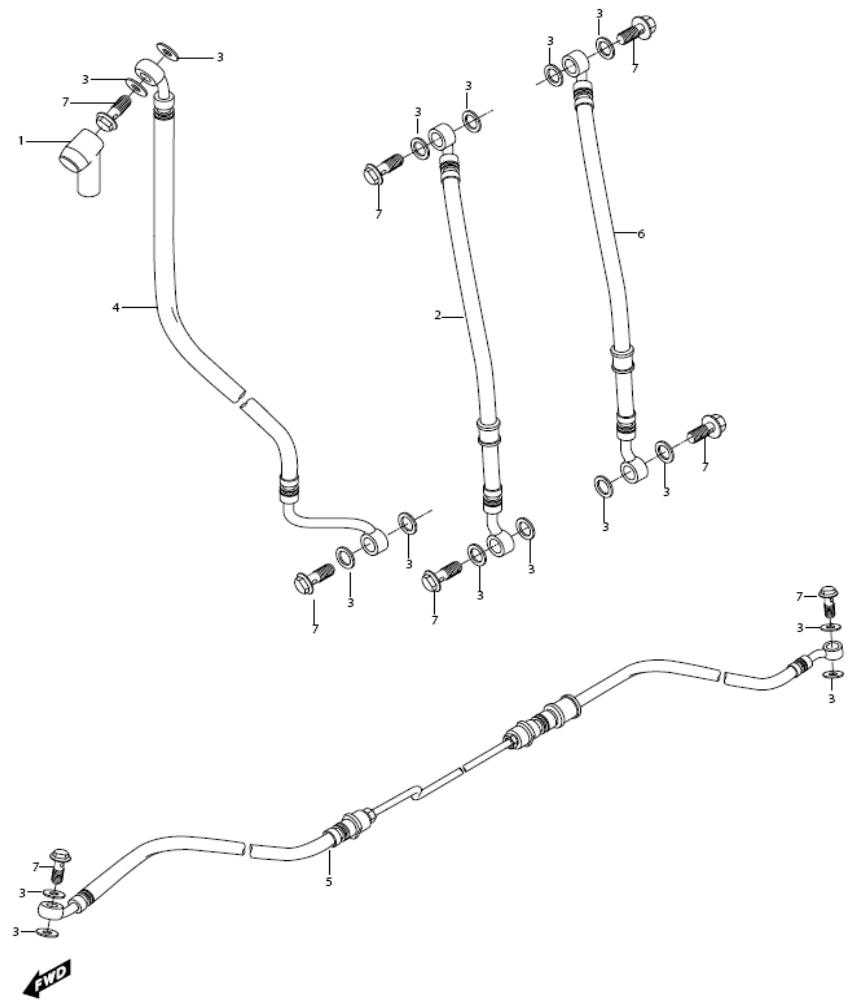


FIG 48. SWINGING ARM

REF. NO.	PART NUMBER	PART NAME	Q'ty
1	61100HP9503120	SWINGARM COMP, rear	
2	09103H08608	BOLT, belt adjuster	2
3	08316-16088	NUT, belt adjuster	2
4	09169-06078	WASHER.	6
5	09106H06150	BOLT, case belt	6
6	61250HP9502	COVER, rear swingarm	1
7	61260HP9504	CAP, rear swingarm cover	1
8	61313HP9501	PLATE, belt case front	2
9	02142-06126	BOLT, cover	3
10	27600H9500	BELT, drive	1
11	61310HP9503	CASE, belt upper	1
12	61320HP9503	CASE, belt under	1
13	61316HP9502	PLATE, belt case rear	2
*	68320HP9550PL	LABEL, CHAIN CASE	1
	68320HP9570PL	LABEL, CHAIN CASE FOR 7GO01	1
	68320HP9580PL	LABEL, CHAIN CASE FOR 7SO01	1
	68320HP9590PL	LABEL, CHAIN CASE FOR 7FO01	1

FIG 48

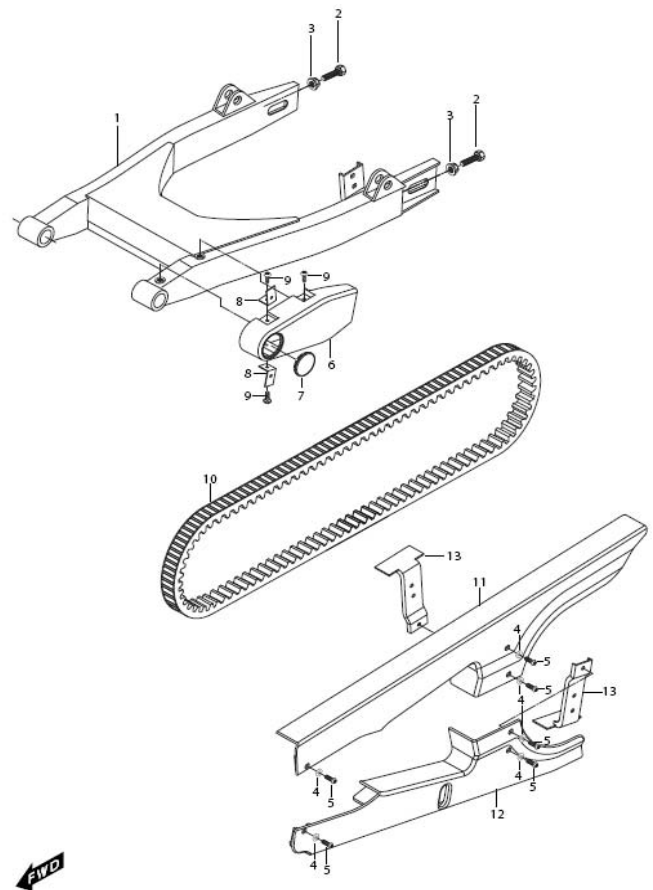


FIG 49. REAR SHOCK ABSORBER

REF. NO.	PART NUMBER	PART NAME	Q'ty
----------	-------------	-----------	------

1	62100HP9500	SHOCK ABSORBER ASS`Y rear	2
2	08313-11107	BLIND NUT, rear shock absorber	2
3	09160-10001	WASHER, rear shock absorber upper	2
4	08316-26128	NUT, rear shock absorber lower	2
5	62311-05350	BOLT, rear shock absorber lower	2

FIG 49

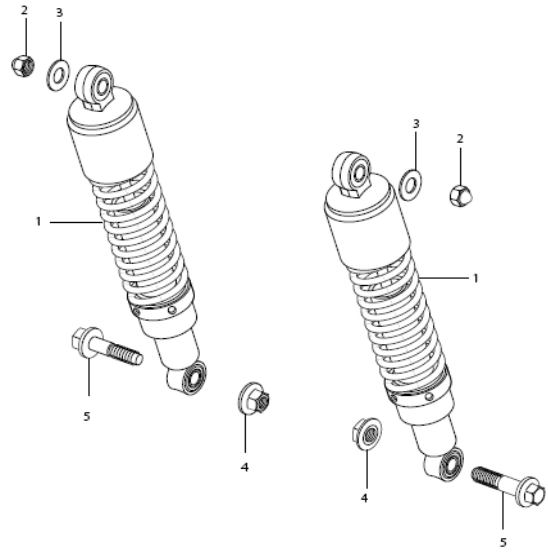


FIG 50. REAR FENDER

REF. NO.	PART NUMBER	PART NAME	Q'ty
1	63111HP950112A	FENDER, rear	1
2	35927H44430	BRACKET, licence plate	1
3	35970-24D63	REFLEX REFLECTOR ASS'Y, side	2
4	03241-04125	SCREW, rear fender lower & rear	5
5	08316-26055	NUT, licence plate bracket	4
6	35910HG5150	LAMP ASS'Y, license plate	1
7	08316-26055	NUT, license lamp(M5)	2
8	35915HL7300	COVER, license lamp	2
9	08316-26055	NUT, license lamp	2
10	35970-17303	REFLEX REFLECTOR ASS'Y, rear	1
11	01107-05605	SCREW, license lamp	2
12	35911HG5800	LENS, license	1
13	35912HG5800	HOUSING, license	1
14	35916HG5800	CORD ASS'Y	1
15	09471-12110	BULB, license lamp(12V/5W)	1
16	63119HP9501	BRACKET, rear fender	1
17	08316-26066	NUT, rear fender brkt & tail brace seat cover	2
18	02142-05125	SCREW, rear fender	2
19	09160-06012	WASHER, rear fender bracket	2
20	02142-06165	SCREW, LICENSE PLATE	2

FIG 50

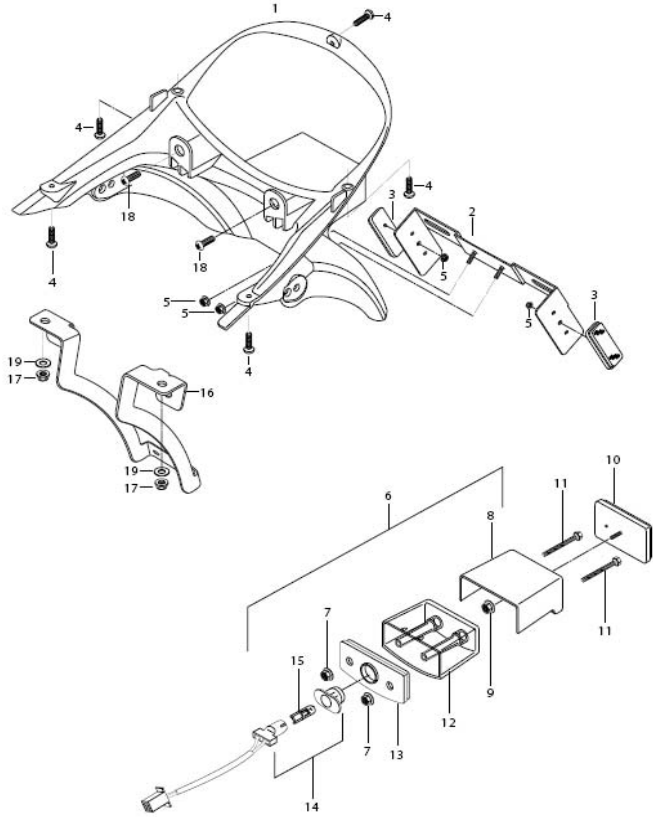


FIG 51. REAR WHEEL

REF. NO.	PART NUMBER	PART NAME	Q'ty
1	64150HP9501120	WHEEL COMP, rear (J17xMT4.50)	
2	65100HP9500	TIRE COMP, rear (180/60-17 69W)	1
3	55220-29C20	VALVE ASSY, wheel rim	1
4	64711HP9500	AXLE, rear	1
5	09159H16002	NUT, rear axle	1
6	64752HP9500	SPACER, rear axle R	1
7	64751HP9501	SPACER, rear axle L	1
8	64611HP950103P	DRUM, rear belt driven puieiy	1
9	64510HP9502	PULLEY COMP, belt driven	1
10	64733HP9500	RETAINER, pulley	1
11	08319-31088	NUT, rear pulley	6
12	61411HN9100	PLATE, chain adjuster R	1
13	09285-28001	OIL SEAL, rear sprocket mounting drum	1
14	08133-62047	BEARING, rear pulley mounting drum	1
15	07110-08408	BOLT, rear pulley	6
16	64651HM8101	SHOCKABSORBER, rear wheel	6
17	64730HP9500	SPACER COMP, rear wheel bearing	1
18	08123-62037	BEARING, rear wheel L	1
19	08123-63037	BEARING, rear wheel R	1
20	09283-27010	OIL SEAL, rear hub R	1
21	69211HP9503	DISK, rear brake	1
22	07120-08258	BOLT, rear brake disk	6
23	69340HP9502120	CARRIER, caliper	1
24	59240HP9500	COVER, rear disk	1

FIG 51

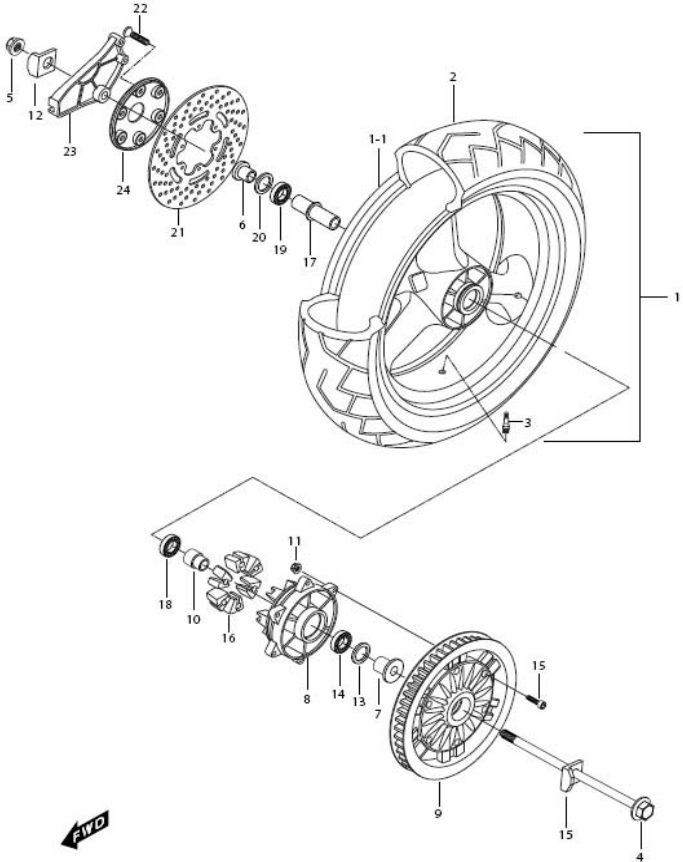


FIG 52. REAR CALIPER

REF. NO.	PART NUMBER	PART NAME	Q'ty
----------	-------------	-----------	------

0	69300HN9102	CALIPER ASS'Y, rear brake	1
1	07110-08358	BOLT, caliper	2
2	59301HP9500	PAD SET	1

FIG 52

