



HYOSUNG MOTORS & MACHINERY INC.

REFERENCE

1.The detailed specifications of each model are referred by the persons who are in charge of overseas marketing team, Hyosung.

2.Special demand

When you order any colored parts including Fuel tank, please add color code to the end of parts number and it will be helpful to register your parts order.

※ Color code

0DS : D-LIGHT SILVER

0MB : MIDNIGHT BLACK

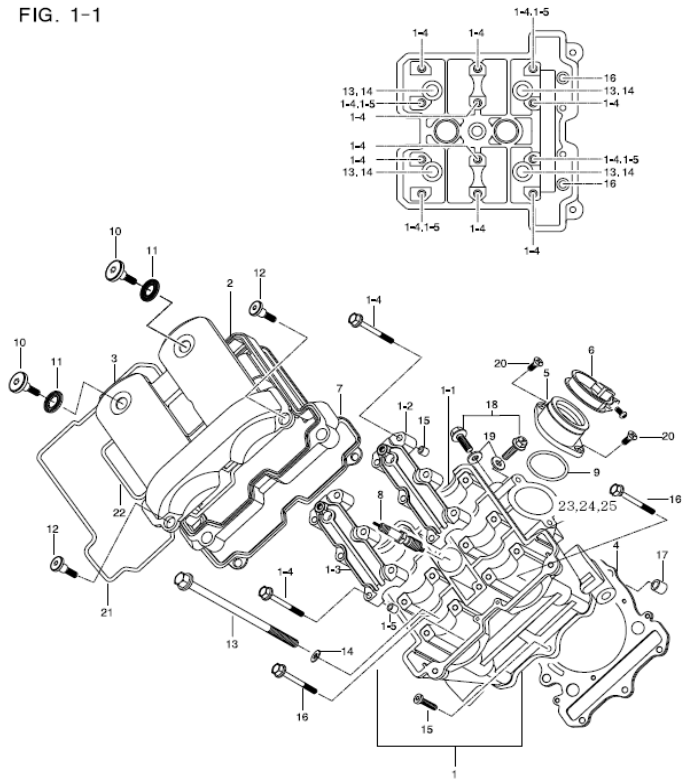
0TB : PEARL WALTZ BLUE

HYOSUNG MOTORS & MACHINERY INC.

FIG 1-1. CYLINDER HEAD/(FRONT)

FIG. 1-1

REF. NO.	PART NAME	Q'TY
1	11110SN9100HPA HEAD ASS'Y, cylinder front(Head+Plug)	1
1-A	11110SN9102HPA HEAD ASS'Y, cylinder front(Head+Plug)	1
E/G No : GV650-107630~		
1-2	11131HN9100PCH HOUSING, camshaft intake	1
1-3	11132HN9100PCH HOUSING, camshaft exhaust	1
1-4	09103H06002 BOLT, camshaft housing	12
1-5	09206-08001 KNOCK PIN, camshaft housing	4
2	11171HP95020S1 COVER, cylinder head lower	1
3	11172HP95020BF COVER, cylinder head upper	1
4	11141HN9101 GASKET, cylinder head	1
5	13110HN9102 PIPE COMP, intake front	1
6	09402-56208 CLAMP, carburetor	1
7	11173HN9100 GASKET, cylinder head cover	1
8	09482-00456 PLUG, spark CRSE	1
9	13131HN9100 O-RING, intake pipe	1
10	09106-07009 BOLT, cylinder head cover NO.1(L5.5)	2
11	09161H11008 WASHER, cylinder head cover	2
12	09106H07017 BOLT, cylinder head front cover NO.2	2
13	09103H10001 BOLT, cylinder head (M10)	4
14	09160H10002 WASHER, cylinder head bolt	4
15	07120-06408 BOLT, cylinder head NO.1 (M6)	1
16	09103H06001 BOLT, cylinder head NO.2 (M6)	2
17	04213-13189 PIN, cylinder knock	2
18	01514-08128 BOLT, oil gallery	2
19	09168-08008 GASKET, oil gallery bolt	2
20	02122-06168 SCREW, intake pipe	2
~KM4VP51A351100001		
20-1	02122-06208 SCREW, intake pipe	2
KM4VP51A351100002~		
21	11181HP9500 O-RING, cyl head lower cover No.1	1
22	11182HP9500 O-RING, cyl head lower cover No.2	1
23	09280H19001 O-RING, connector hose union	1
24	17680HN9101 UNION COMP, connector	1
25	07110-06108 BOLT	1



REF. NO.	PART NAME	Q'TY
1	11120SP9500HPA HEAD ASS'Y, cylinder front(Head+Plug)	1
1-A	11120SP9501HPA HEAD ASS'Y, cylinder front(Head+Plug) E/G No : GV650-107630~	1
1-2	11131HN9100PCH HOUSING, camshaft intake	1
1-3	11132HN9100PCH HOUSING, camshaft exhaust	1
1-4	09103H06002 BOLT, camshaft housing	12
1-5	09206-08001 KNOCK PIN, camshaft housing	4
2	11171HP95020BF COVER, cylinder head lower	1
3	11172HP95020BF COVER, cylinder head upper	1
4	11141HN9101 GASKET, cylinder head	1
5	13120HN9101 PIPE COMP, intake rear	1
6	09402-56208 CLAMP, carburetor	1
7	11173HN9100 GASKET, cylinder head cover	1
8	09482-00456 PLUG, spark CRSE	1
9	13131HN9100 O-RING, intake pipe	1
10	09106-07009 BOLT, cylinder head cover NO.1(L5.5)	2
11	09161H11008 WASHER, cylinder head cover	2
12	09106H07017 BOLT, cylinder head front cover NO.2	2
13	09103H10001 BOLT, cylinder head (M10)	4
14	09160H10002 WASHER, cylinder head bolt	4
15	07120-06408 BOLT, cylinder head NO.1 (M6)	1
16	09103H06001 BOLT, cylinder head NO.2 (M6)	2
17	04213-13189 PIN, cylinder knock	2
18	01514-08128 BOLT, oil gallery	2
19	09168-08008 GASKET, oil gallery bolt	2
20	02122-06168 SCREW, intake pipe ~KM4VP51A351100001	2
20-1	02122-06208 SCREW, intake pipe KM4VP51A351100002-(05.07~)	2
21	11181HP9500 O-RING, cyl head lower cover No.1	1
22	11182HP9500 O-RING, cyl head lower cover No.2	1
23	09280H19001 O-RING, connector hose union	1
24	17680HN9101 UNION COMP, connector	1
25	07110-06108 BOLT	1

FIG. 1-2

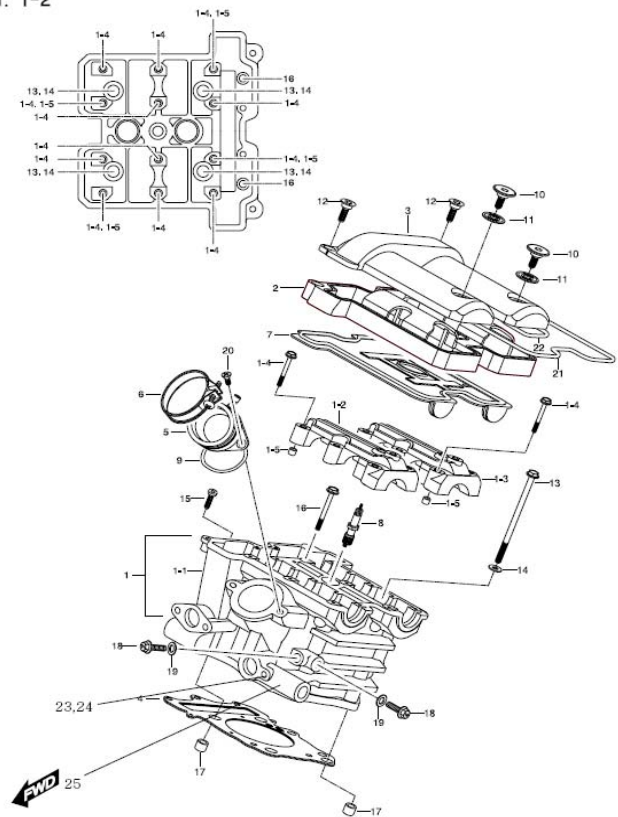


FIG 2. CYLINDER /FRONT, REAR

FIG. 2

REF. NO.	PART NAME	Q'TY
1	11210HN9100HPA CYLINDER COMP, front	1
2	11220HN9100HPA CYLINDER COMP, rear	1
3	11241HN9101 GASKET, cylinder	2
4	04213-13189 PIN, cylinder head knock	4
5	08316-16068 NUT, cylinder (M6)	4
6	01421-06258 BOLT, cylinder stud (M6)	4

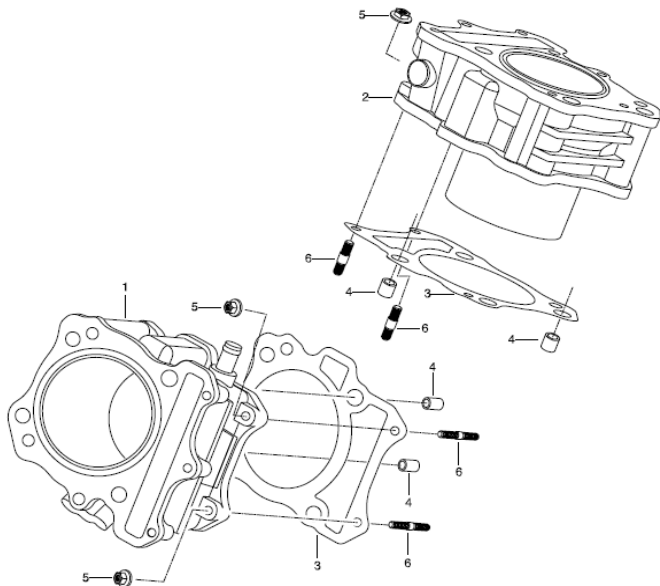


FIG 3. RADIATOR

REF. NO.	PART NAME	QTY
1	17710HP9500 RADIATOR COMP, water	1
2	17860HN9100 SWITCH ASS'Y, thermo	1
3	17800HN9102 FAN ASS'Y, radiator	1
4	17810HN9100 MOTOR ASS'Y, radiator fan	1
5	02142-05165 BOLT, radiator fan	3
6	09404-06401 CLAMP, radiator fan	1
7	09116-06143 BOLT, radiator	4
8	09180-06011 SPACER, radiator	4
9	09320H10006 CUSHION, radiator	3

FIG. 3

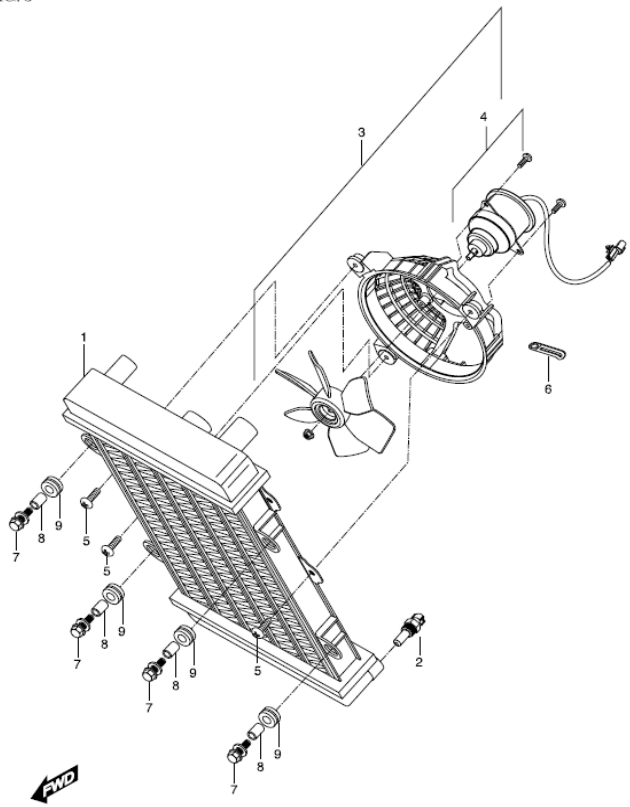


FIG 4. CRANK CASE

FIG. 4

REF. NO.	REF.	PART NAME	Q'TY
0	11300HP9502HPA	CRANKCASE ASS'Y	1
1	11320HP9500PCC	CRANKCASE COMP, L	1
2	11310HP9502PCC	CRANKCASE COMP, R	1
3	11430HN9100	JET COMP, piston rear oil	1
4	11420HN9100	JET COMP, piston front oil	1
5	09403H09304	CLAMP	2
6	04213-13189	PIN, crank case knock	2
7	07120-08608	BOLT, crank case M8	2
8	01547-06608	BOLT, crank case M6	8
9	07120-08708	BOLT, crank case M8	2
10	01547-06808	BOLT, crankcase	5
11	02112-06958	SCREW, crankcase	2
12	09103H08001	BOLT, crank case M8(L100)	2
13	01514-08128	BOLT, oil gallery	2
14	09168-08008	GASKET, oil gallery bolt	2
15	31135HP95000S1	BRACKET, starter motor	1
16	01547-06308	BOLT, starter motor braket	2
17	01547-06408	BOLT, starter motor	1
18	17481HN9100	UNION, water pump hose	1
19	07110-06128	BOLT, water hose union	1
20	09280H04001	O-RING, oil jet	3
21	11440HN9100	JET COMP, starter clutch oil	1
22	02112-06108	SCREW, oil jet	3
23	08313-11068	NUT, starter motor bracket	2
24	09280H21001	O-RING, water pump union	1
25	13870HP9501	PIPE COMP, breather hose	1
26	09280H12005	O-RING, water pump union	1
27	09128-06054	BOLT, breather pipe	1
28	09263H18001	BG, clutch release cam No1	1
29	09263H10009	BG, clutch release cam No2	1

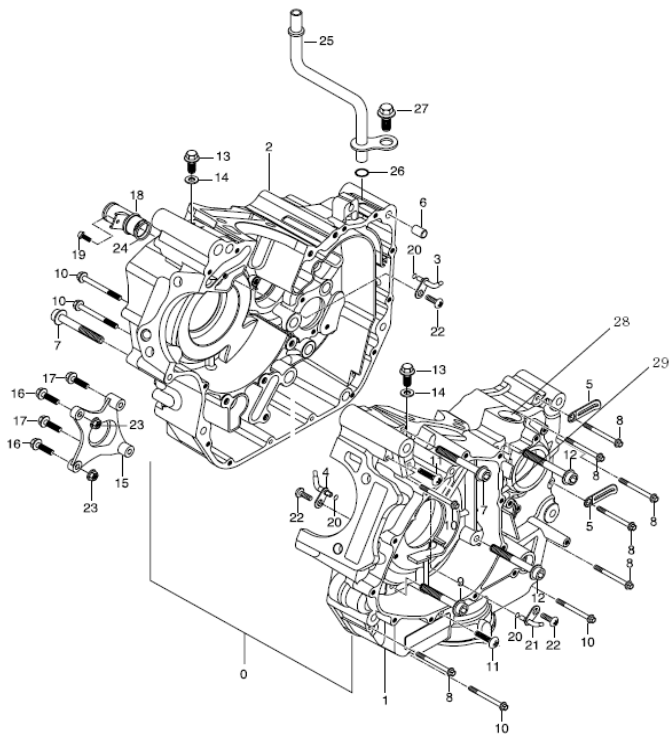
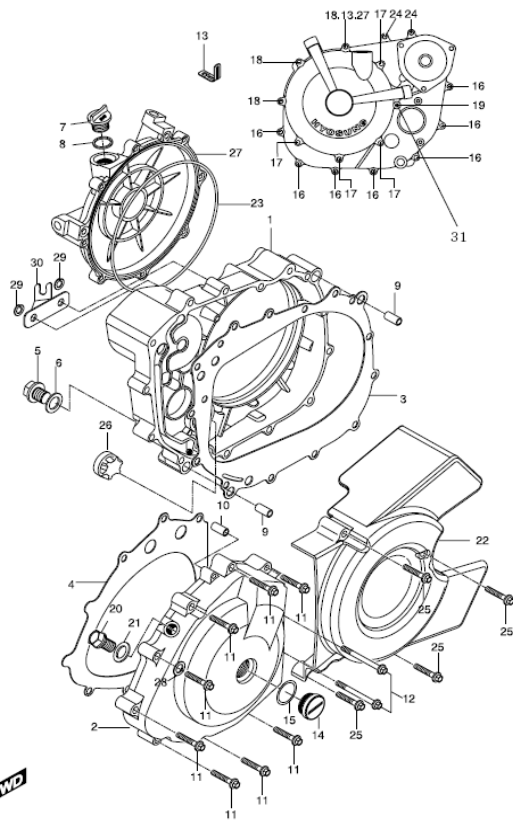


FIG 5. CRANK CASE COVER

FIG. 5

REF. NO.	PART NAME	QTY
1	11331HP9500HPA COVER COMP, clutch (With oil lens & plug)	1
2	11351HN91200BF COVER , magneto	1
3	11481HN9101 GASKET, clutch cover (NA)	1
4	11483HN9101 GASKET, magneto cover	1
5	09247-14026 PLUG, oil check	1
6	09168H14003 GASKET, oil check plug	1
7	09259-20009CR PLUG, engine oil filler	1
8	09280-17003 O-RING, engine oil filler plug	1
9	04213-13189 PIN, clutch cover knock	2
10	04213-09129 PIN, magneto cover knock	1
11	01547-06358 BOLT, magneto cover	8
12	01547-06558 BOLT, magneto cover	2
13	09403H09304 CLAMP, clutch cover	1
14	09259-26015CR PLUG, crankshaft hole	1
15	09280-22008 O-RING, crankshaft hole plug	1
16	01547-06358 BOLT, clutch cover	7
17	01547-06258 BOLT, clutch cover outer	4
18	01547-06708 BOLT, clutch cover outer	3
19	01547-06508 BOLT, clutch cover outer	1
20	09247H12102 PLUG, TDC	1
21	09168H12003 GASKET, TDC plug	1
22	11361HP9502 COVER, engine pulley	1
23	11482HN9100 O-RING, clutch outer cover	1
24	01547-06408 BOLT, clutch covr	1
25	01547-06258 BOLT, engine pulley cover	2
26	11332HN9100 LENS, oil level check	1
27	11341HP9500HPA COV CLUTCH, outer(With plug)	1
28	09168H06019 GASKET, magneto cover bolt	2
29	08321-31068 WASHER, lock	2
30	13353HP9401 BRACKET, carburetor adjust	2
31	SPACER, water pump cover	1



REF. NO.	REF.	PART NAME	Q'TY
1	12200HN9100HPA	CRANK SHAFT ASS'Y	1
2	12161HN9101	ROD, connecting	2
3	09263H37001	BEARING, crank pin	2
4	12211HN9100HPA	PIN COMP, crank	1
5	12221HN9102CSA	CRANK SHAFT, R	1
6	12261HN9102CSA	CRANK SHAFT, L	1
7	09262H35001	BEARING, crank shaft	2
8	02112-06126	SCREW, crank shaft oil seal retainer	1
9	21111HN9100	GEAR, primary drive	1
10	21112HN9100	GEAR, primary drive NO.2	1
11	12281HN9100	RETAINER, crank shaft oil seal	1
12	21114-35C00	SPRING, primary drive gear	3
13	08211-22422	WASHER, primary drive gear thrust	1
14	09140H18001	NUT, primary drive gear	1
15	09282-12001	SEAL, crank shaft oil RH	1
16	12111HN9101	PISTON	2
17	12151HN9101	PIN, piston	2
18	09381H20001	CIRCLIP, piston pin	4
19	12140HN9100	RINGSET, piston	2
20	12141HN9100	RING, piston 1st	2
21	12142HN9100	RING, piston 2nd	2
22	12144HN9100	RING, piston oil	2
23	12291HN9100	JET, crank shaft RH	1
24	09160H37001	WASHER, connrod thrust	3
25	17511HN9103	GEAR, water pump drive	1
26	09164H18001	WASHER, water pump drive gear lock	1
27	12212HN9100	PLUG, crank pin	2

FIG 6

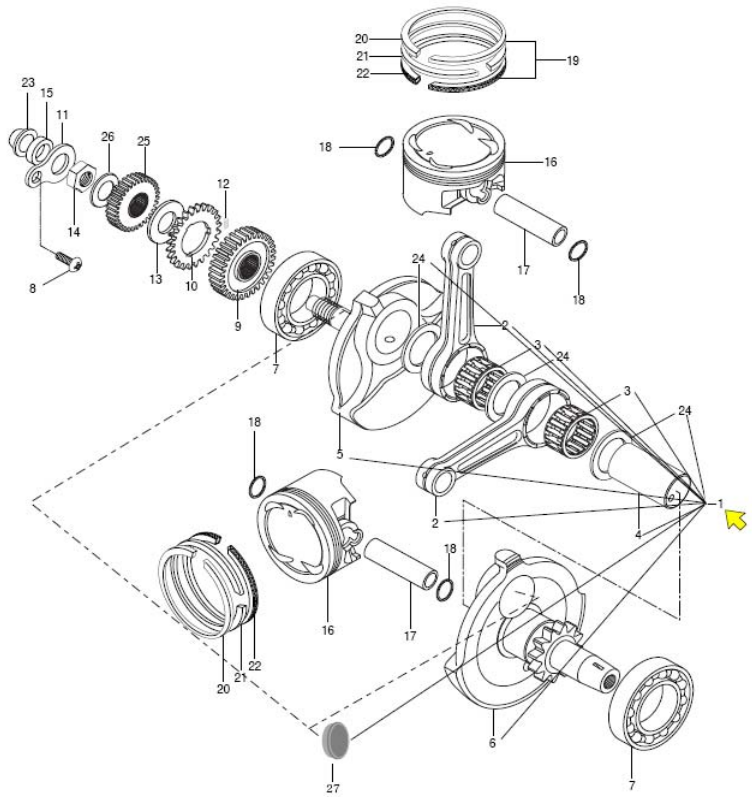


FIG 7. STARTER CLUTCH

FIG.7

REF. NO.	PART NAME	Q'TY
1	12611HN9100 GEAR, starter idle	1
2	12612HN9100 PIN,starter idle gear ~KM4VP51A761102058	1
2-1	09206-13003 PIN,starter idle gear KM4VP51A761102059-(05.11-)	1
3	12614HN9101 CLUTCH, starter one way	1
4	12620HN9102 GEAR COMP, starter clutch	1
5	12620HN9101 GEAR, starter clutch	1
6	07110-08168 BOLT, starter clutch	6
7	09304H27001 BUSH, starter clutch gear	1

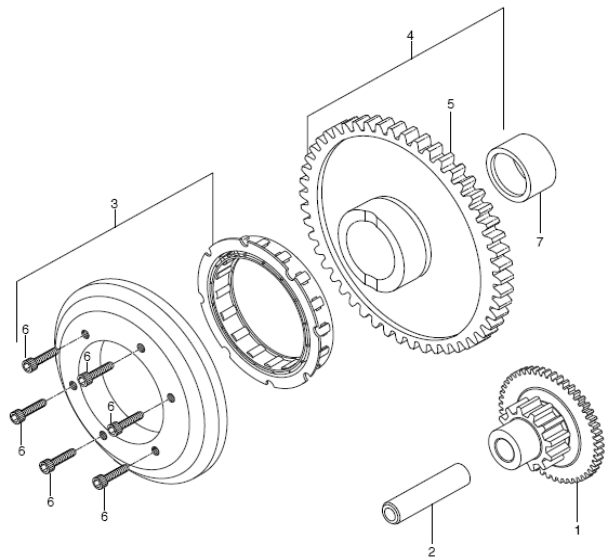


FIG. 8

REF. NO.	PART NAME	QTY	
1	12710HN9100HPA	CAMSHAFT ASS'Y, front intake	1
2	12730HN9100HPA	CAMSHAFT ASS'Y, front exhaust	1
3	12720HN9100HPA	CAMSHAFT ASS'Y, rear intake	1
4	12740HN9100HPA	CAMSHAFT ASS'Y, rear exhaust	1
5	12922HN9100	SPRING, valve outer	8
6	09289H04002	SEAL, valve stem oil	8
7	12933HN9100	SEAT, valve spring	8
8	12911HN9101	VALVE, intake	4
9	12912HN9101	VALVE, exhaust	4
10	12921HN9101	SPRING, valve inner	8
11	12931HN9100	RETAINER, valve spring	8
12	12932HJ8200	COTTER, valve	16
13	12892-05C00170	SHIM, tappet (size 120-220)	8
14	12881HN9100	TAPPET	8

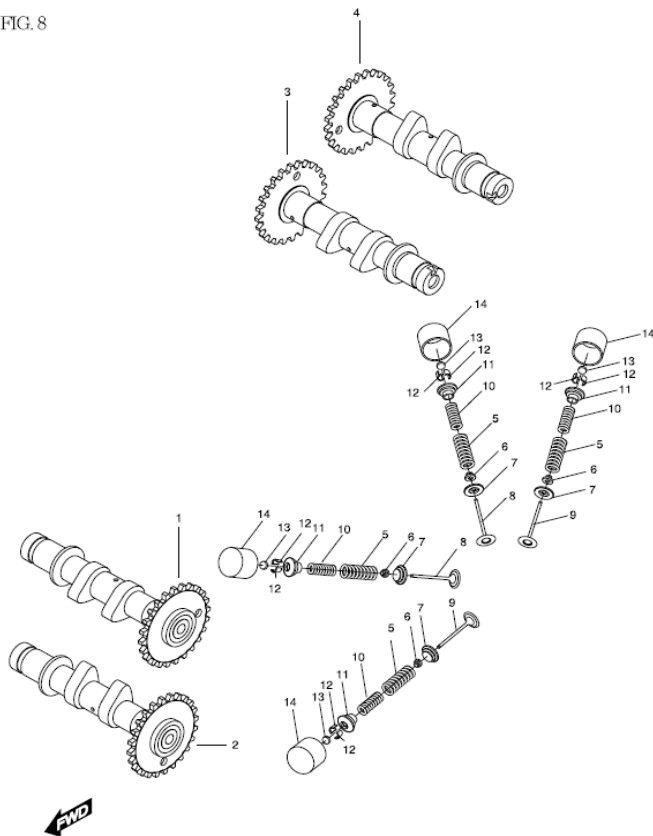


FIG. 9

REF. NO.	PART NAME	Q'TY
1	12760HN9100 CHAIN COMP, camshaft drive	2
2	12771HN9100 GUIDE, camchain NO.1	2
3	12811HN9100 TENSIONER, camchain	2
3-1	12811HN9101 TENSIONER, camchain -E/G No : GV650-108538(03.MAR.07) E/G No : GV650-108539(14.MAR.07)-	2
4	08211-06181 WASHER, camchain tensioner bolt	2
5	12812H35C00 BOLT, camchain tensioner	1
5-1	12812HN9101 BOLT, camchain tensioner (magneto)	1
6	12837H31321 GASKET, tensioner adjuster	2
6-A	12837HP8900 GASKET, tensioner adjuster E/G No : GV650-107630-	2
7	12830HN9102 ADJUSTER ASS'Y, tensioner	2
7-A	12830HN9120 ADJUSTER ASS'Y, tensioner E/G No : GV650-107630-	2
8	07110-06208 BOLT, tensioner adjuster	4
9	12839-38200 PLUG, adjuster	2
10	12782HN9100 GUIDE, camchain No.2	2
11	07110-06108 BOLT, camchain guide No.2	6

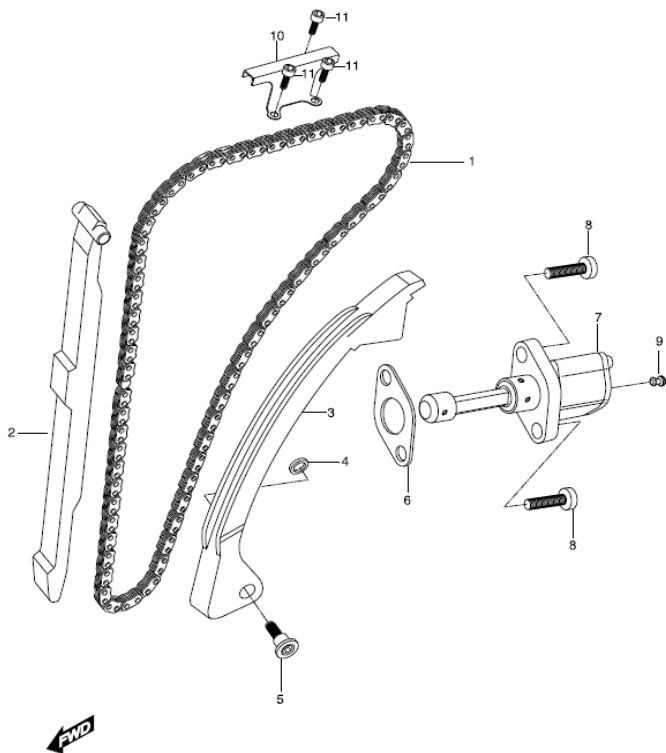


FIG. 10. CARBURETOR ASSY

REF. NO.	PART NAME	Q'TY
0	13200HP9500(RAT01)	1
1	13301HN9100	1
2	13302HN9100	1
3	13310HN9100	2
4	13311HN9100	2
5	13338HN9100	2
6	13551HN9150	2
7	13312HN9100	2
8	13313HN9100	2
9	13314HN9100	2
10	13316HN9100	2
11	13315HG5100	2
12	13305HN9100	2
13	13333HP9500	2
14	13323HN9100	2
15	13339HN9100	2
16	13320HN9100	4
17	13309HG5100	2
18	13307HN9100	2
19	13308HP9400	2
20	13306HG5100	2
21	13365HN9100	2
22	13327HN9100	2
23	13324HN9100	2
24	13375HN9100	2
25	13378HN9100	2
26	13379HN9100	2
27	13377HG5100	2
28	13354HG5100	6
29	13376HN9100	2
30	13326HN9100	4
31	13332HN9100	2
32	13334HN9100	2
33	13335HN9100	2

FIG. 10

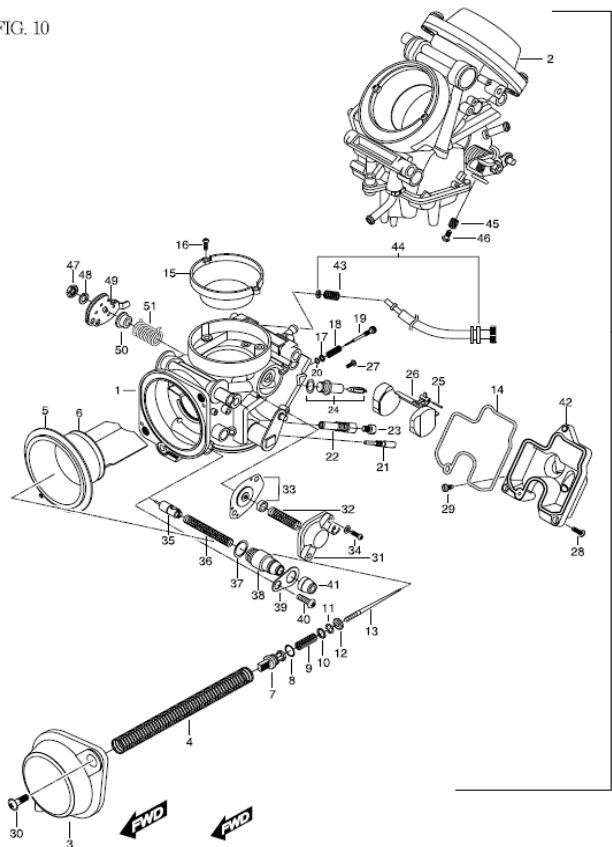
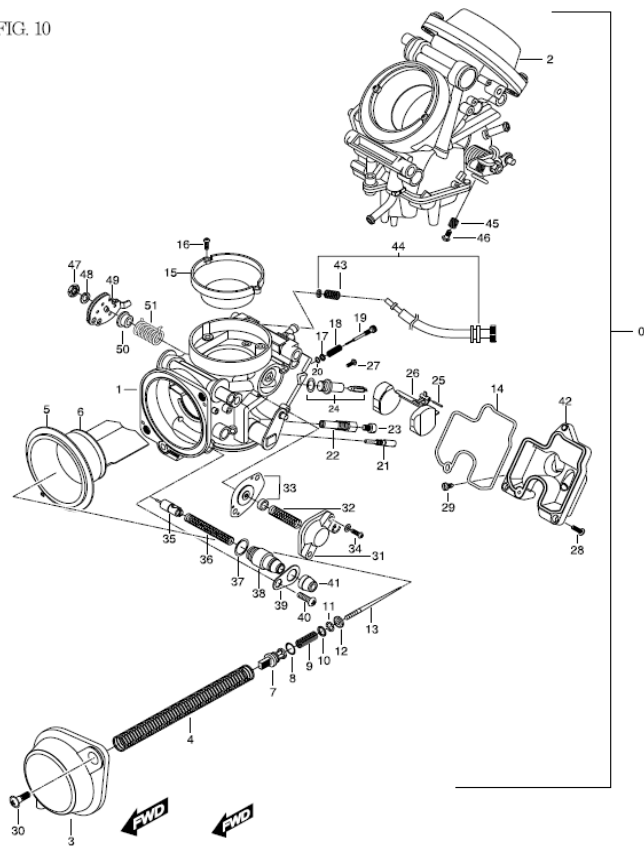


FIG 10-L. CARBURETOR ASSY

REF. NO.	PART NAME	QTY	
34	13336HN9100	SCREW	4
35	13369HN9100	PLUNGER ASSY	2
36	13368HN9100	COMPRESSION SPRING	2
37	13370HN9100	O-RING	2
38	13367HN9100	GUIDE HOLDER	2
39	13337HN9100	PLATE	2
40	13374HN9100	SCREW	2
41	13366HN9100	CAP	2
42	13352HN9100	FLOAT BODY	2
43	13386HN9100	COMPRESSION SPRING	2
44	13351HP9400	ADJUSTER (GT650R)	2
45	13356HN9100	COMPRESSION SPRING	2
16	13373HG5100	SCREW	2
47	13342HG5100	NUT	2
48	13343HG5100	SPRING WASHER	2
49	13340HN9100	THROTTLE LEVER ASS'Y	2
50	13319HN9100	RING	2
51	13344HN9100	TORSING SPRING	2

FIG. 10



REF. NO.	PART NAME	Q'TY
1	13325HN9100 HOSE	1
2	44199HP9500 HOSE FUEL	1
3	13330HN9100 HOSE	1
4	13360HG5100 NIPPLE	1
5	13383HN9100 CLIP	4
6	13329HN9100 HOSE	2
7	13385HN9100 CLIP	1
8	13328HN9100 PLATE	1
9	13341HN9100 PLATE	1
10	13384HN9100 SCREW	4
11	13353HN9100 BOLT	2
12	13318HN9100 WASHER	1
13	13347HN9100 PIN	2
14	13318HN9100 WASHER	2
15	13348HN9100 LEVER ASS'Y	1

FIG. 11

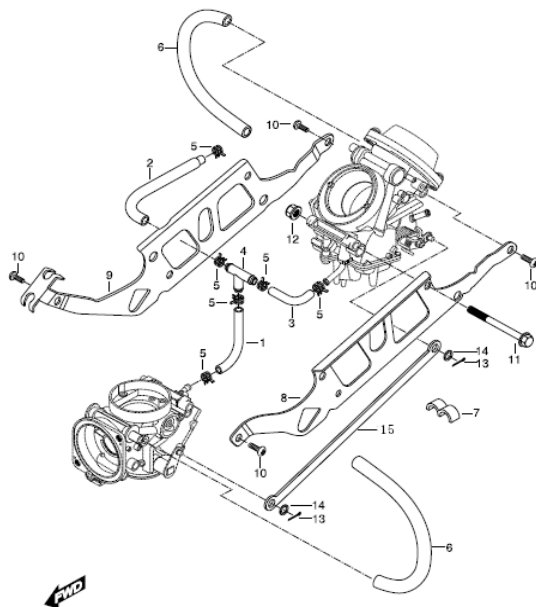


FIG. 12

REF. NO.	PART NAME	Q'TY	
1	13700HP9503	CLEANER ASS'Y, air	1
1-1	13710HN9100	CASE COMP, air cleaner	1
1-2			
1-3	13780HM8100	FILTER COMP, air cleaner	1
1-4	13871HN9100	TUBE, outlet front	2
1-5	09402-74207	CLAMP, outlet tube	2
1-6	13895HF4500	PLUG, oil drain	1
1-7	09401-14301	CLIP, oil drain plug	1
1-8	02142-05165	SCREW, air cleaner filter	4
1-9	16810HN9101	TANK ASS'Y, breather oil return	1
1-10	13791HP9501	GUIDE, air cleaner inlet	1
1-11	03241-05168	SCREW	2
1-12	09320-12029	CUSHION, oil return tank	1
2	16821HN9101	HOSE, breather oil return No.1	1
3	16831HP9500	HOSE, breather oil return No.2	1
4	09401H14401	CLAMP, breather oil return	4

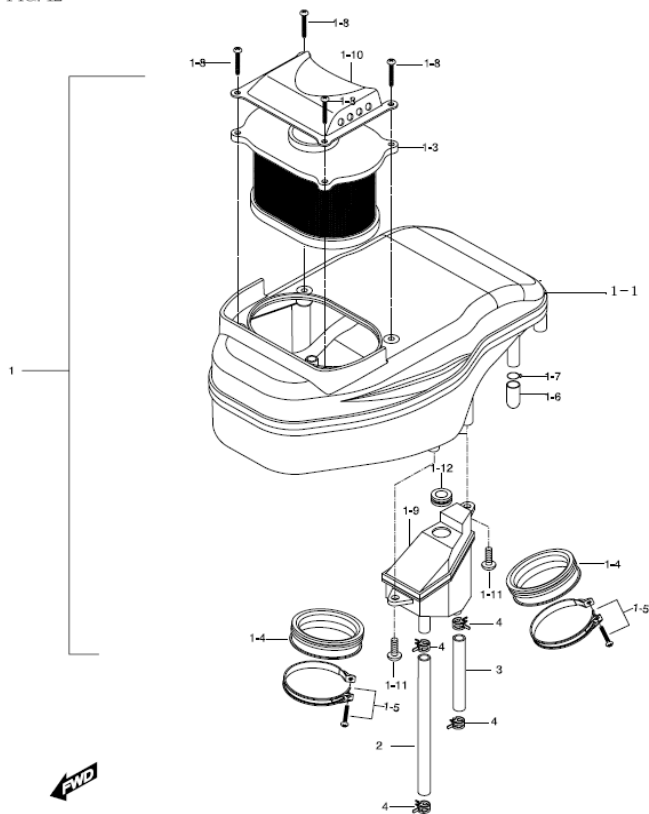


FIG. 13

REF. NO.	PART NAME	Q'TY
0	14310HP9532PLH MUFFLER COMP	1
1	14310HP9532 BODY COMP, muffler	1
2	14790HP9500 COVER COMP, muffler rear	1
3	14780HP9500 COVER, muffler front	1
4	14170HP9502 PIPE COMP, exhaust joint	1
5	14150HP9502 PIPE COMP, exhaust front	1
6	14160HP9503 PIPE COMP, exhaust rear	1
	~KM4VP51A161103528	
6~1	14160HP9510PAM PIPE COMP, exhaust rear	1
	KM4VP51A161103529~	
7	14314HP9500 GASKET, muffler body connector	1
8	14182HP9500 GASKET, exhaust rear pipe connector	1
9	14773HN9101 GASKET, exhaust front pipe connector	1
10	14770HN9101 CONNECTOR, exhaust front pipe	1
11	14181HN9101 GASKET, exhaust	2
12	07110-08258 BOLT, gasket	6
13	14410HP9502 BRACKET, muffler support NO1.	1
14	01517-08358 BOLT, exhaust front pipe connector	1
15	09320H12059 CUSHION, muffler support bracket	2
16	41160HN9101 SPACER COMP, muffler support BKT	2
17	01134-08258 BOLT, muffler support bracket frame	2
18	09160-08002 BOLT, muffler support bracket body	2
19	09106H06031 BOLT, muffler cover	12
20	09160-08002 WASHER, muffler support bracket body	2
21	09106-06030 BOLT, muffler support bracket body	4
	~KM4VP51A761102058	
21~1	09106H06030 BOLT, muffler support bracket body	4
	KM4VP51A761102059~(05.11)	
	09106H06031 BOLT, muffler support bracket body	4
22	14741HP9500PLA COVER COMP, exhaust joint pipe NO.3	1
23	14751HP9501PLA COVER, exhaust rear pipe	1
24	14721HP9500PLA COVER, exhaust joint pipe NO1. inner	1
25	14722HP9500 COVER, exhaust joint pipe NO1. outer	1
26	14731HP9500PLA COVER, exhaust joint pipe NO2. inner	1
27	14732HP9500 COVER, exhaust joint pipe NO2. outer	1

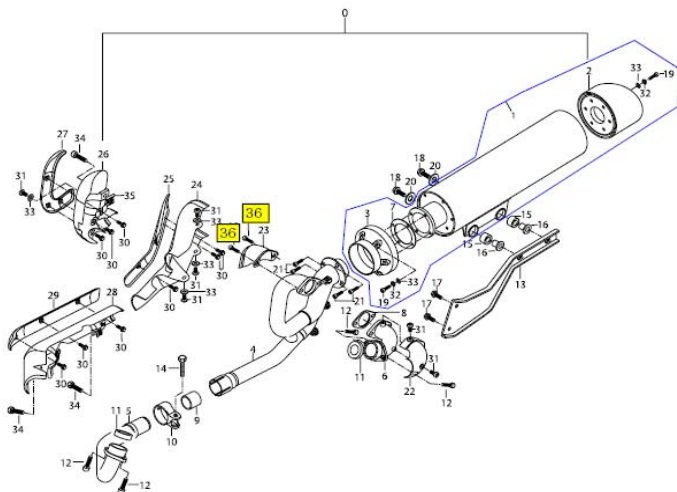


FIG. 13

REF. NO.	PART NAME	Q'TY
28	14711HP9501PLA COVER COMP, exhaust front pipe inner	1
29	14712HP9500 COVER COMP, exhaust front pipe outer	1
30	01104-06065 BOLT, exhaust cover outer	9
31	09119H06001 BOLT, exhaust rear pipe cover	6
32	08321-21068 WASHER, muffler cover bolt	13
33	08322-21068 WASHER, muffler cover bolt	16
34	09106H06001 BOLT, exhaust pipe cover clamp ~KM4VP51A951100178	3
34-1	09106-06030 BOLT, exhaust pipe cover clamp KM4VP51A951100179-(05.08-)	3
34-2	09106H06030 BOLT, exhaust pipe cover clamp KM4VP51A761102059-(05.11-)	3
09106H06031	BOLT, MUF BODY REAR PIPE	3
35	14776HP9500 CLAMP, exhaust pipe cover outer	3
36	07110-08307 BOLT, FT EXHAUST	2

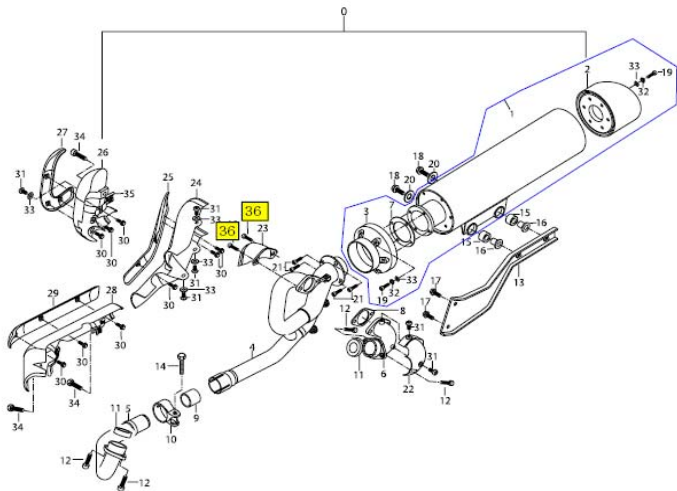
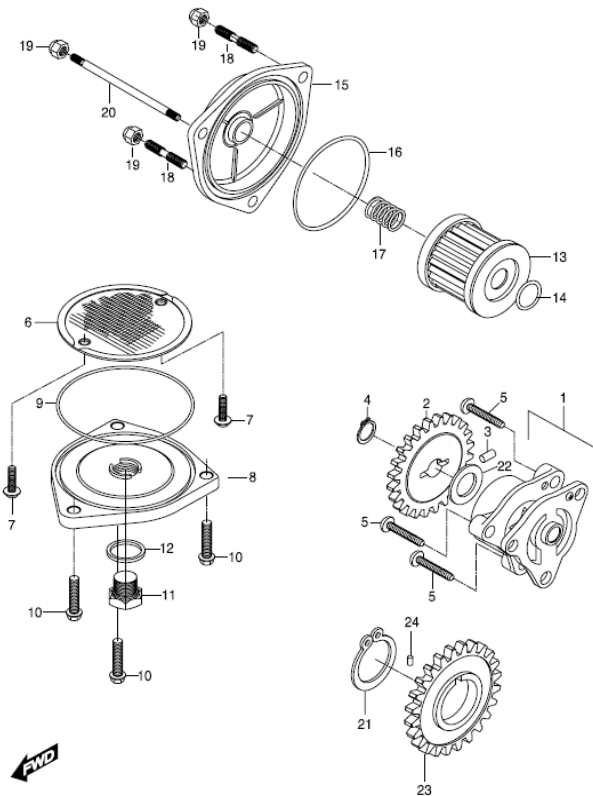


FIG. 14

REF. NO.	PART NAME	Q'TY
1	16400HN9101 PUMP ASS'Y, oil	1
2	16331HN9101 GEAR, oil pump driven	1
3	09261H06001 PIN, oil pump driven gear	1
4	08331-31389 CIRCLIP, oil pump driven gear	1
5	02112-06258 SCREW, oil pump	3
6	16520HN9100 STRAINER COMP, engine oil	1
7	02112-95126 SCREW, engine oil strainer	2
8	16523HN9100 CAP, oil strainer	1
9	09280H82001 O-RING, oil strainer cap	1
10	01547-06208 BOLT, oil strainer cap	3
11	09247-14002 PLUG, oil drain	1
	-KM4VP51A361102476	
11-1	09247-14019 PLUG, oil drain	1
	KM4VP51A361102477-(05.12-)	
12	09168H14003 GASKET, drain plug	1
13	16510HN9101HAS FILTER COMP, engine oil	1
14	09280H16001 O-RING, oil filter	1
15	16512HN91200BF CAP, oil filter	1
16	09280H69001 O-RING, oil filter cap	1
17	09440H18001 SPRING, oil filter cap	1
18	01421-06128 BOLT, oil filter cap stud	2
19	08313-11068 NUT, oil filter cap	3
20	01421-06758 BOLT, oil filter cap stud	1
21	08331-31109 CIRCLIP, oil pump drive gear	1
22	08221-10185 SHIM, oil pump driven gear	1
23	16321HN9103 GEAR, oil pump drive	1
24	09261H06001 PIN, oil pump drive gear	1



REF. NO.	PART NAME	Q'TY
1	17400HP9500 PUMP ASS'Y, water	1
1-A	17400HN9102 PUMP ASS'Y, water	1
	Only for 17521HN9105(PL driven gear)	
1-1	17410HN9100 CASE COMP,WATER PUMP	1
1-2	17433HN9100 O-RING,WATER PUMP	1
2	01547-06308 BOLT, water pump	2
3	17491HN9100 HOSE, water pump outlet	1
4	09401H26402 CLAMP, water pump hose	2
5	17521HN9102 GEAR, water pump driven	1
	-KM4VP53A571100405	
5-A	17521HN9105 GEAR, water pump driven	1
	KM4VP53A571100406-	
6	08221-10185 SHIM, water pump driven gear	1
7	08331-31109 CIRCLIP, water pump driven gear	1
8	09261H04001 PIN, water pump driven gear	1
9	17480HP9500PLA COVER, water pump	1

FIG. 15

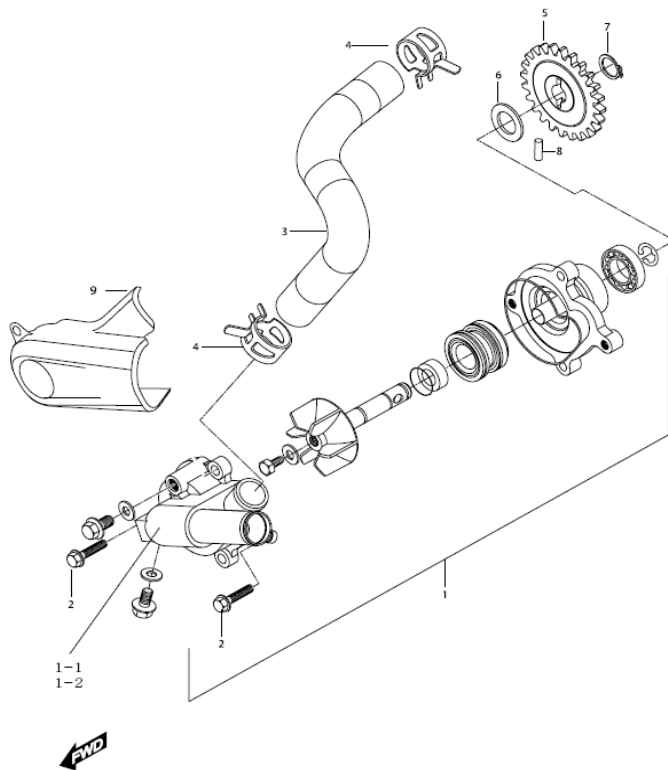


FIG 16. RADIATOR HOSE

FIG. 16

REF. NO.	REF.	PART NAME	Q'TY
0	17610HN9100HPA	THERMOSTAT COMP	1
1	17621SN9102HPA	CONNECTOR COMP, thermostat inlet	1
2	17631HN91000S1	CAP, thermostat connector	1
3	17741HP9501	HOSE, radiator inlet	1
4	17751HP9501	HOSE, radiator outlet	1
5	09401H26402	CLAMP, radiator inlet hose radiator side	3
6	09401H31402	CLAMP, radiator inlet hose thermostat side	1
7	01547-06208	BOLT, thermostat connector	2
8	17641HN9100	HOSE, thermostat bypass	1
9	09401H13401	CLAMP, thermostat bypass hose	2
10	17661HN9100	HOSE, connector inlet	2
11	09401H24402	CLAMP, connector inlet hose	4
12	17610HN9100	THERMOSTAT COMP	1
13	17650HN9100	GAUGE UNIT, water temperature	1
14	17981HP9501	HOSE, reserver tank inlet	1
15	09401H11403	CLAMP, reserver tank	3
16	17911HP9503	TANK COMP, reserver	1
17	09136-06017	SCREW, reserver tank	1
18	52533HN9160	HOSE, reserver tank overflow	1
19	17921HN9100	CAP, reserver tank	1
20	17720HN9100	CAP COMP, radiator	1
21	17912HN9100	CUSHION, reserver tank	2
22	09320-09016	CUSHION	1
23	17731HP9500	CASE, radiator cap	1
24	09401H13401	CLAMP	2
25	17771HP9501	HOSE, radiator cap case	1
26	17780HP9500PLA	COVER COMP, radiator outlet hose	1
27	68170HN9100	LABEL,RADIATOR	1
28	17622HN9101	UNION,thermost connector	1
28-A	17622HN9102	UNION,thermost connector	1
~E/G No:GV650-104724(-06.03)			
29	07110-06108	BOLT, CONNECTOR HOSE UNION	2
30	17680HN9101	UNION COMP,CONNECTOR	2
31	09280H19001	O-RING,CONNECTOR HOSE UNION	2
32	17705HP9503	CAP,RADIATOR	1

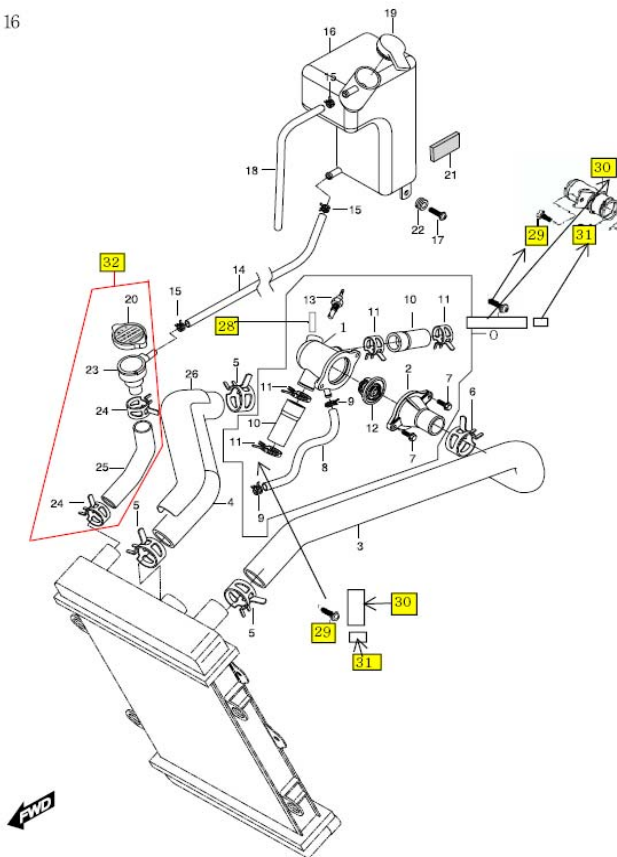


FIG. 17

REF. NO.	PART NAME	QTY
1	18500HP9500 VALVE ASS'Y, 2ND air	1
2	18631HP9501 HOSE, 2ND air pipe front	1
3	01547-06208 BOLT, 2ND air valve	2
4	09401H08401 CLAMP, carburetor vacuum hose	2
5	09401H13401 CLAMP, 2ND air pipe	4
6	18615HN9101 GASKET, 2ND air pipe	2
7	01107-06168 BOLT, 2ND air pipe	4
8	18610HP9501 PIPE COMP, 2ND air front	1
9	18620HP9501 PIPE COMP, 2ND air rear	1
10	18671HP9501 HOSE, 2nd vacuum	1
11	18651HP9500 HOSE, 2ND air cleaner	1
12	18641HP9500 HOSE, 2ND air pipe rear	1
13	09401H14401 CLAMP, 2ND air pipe hose	2

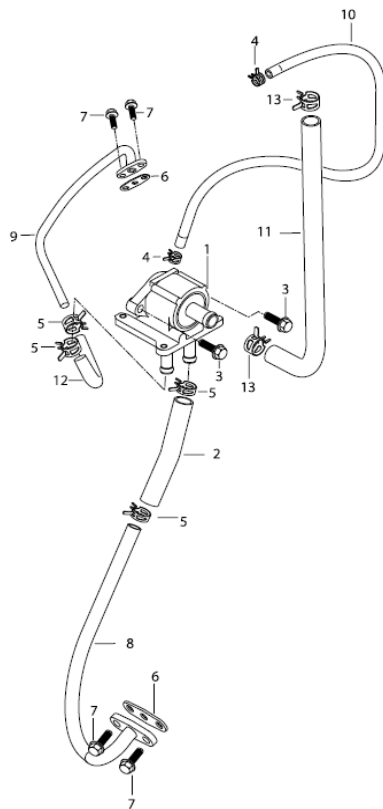


FIG. 17-1

REF. NO.	PART NAME	Q'TY
1	18581HP9500 COVER, decoration	2
2	09136-06022 SCREW, decoration cover	2
3	09320-09016 CUSHION, decoration cover	2
4	09180-06114 SPACER, decoration cover cushion	2
5	18490HP9500 BRACKET COMP, decoration cover LH	1
6	18590HP9502 BRACKET COMP, 2ND air valve ~KM4VP52A251100005	1
6-1	18590HP9503 BRACKET COMP, 2ND air valve KM4VP52A251100006-(05.08-)	1
7	01547-06148 BOLT, 2ND air bracket	2
8	15100HG5100 PUMP ASS'Y, fuel	1
9	01107-06106 SCREW, fuel pump	2
10	15821HP9501 HOSE, fuel	1
11	09401-10401 CLIP, fuel hose carburetor side	4
12	09401H11401 CLIP, fuel hose side	1
13	44199HL7302 HOSE, fuel pump & carburetor vacuum	1
14	09401-08401 CLIP, fuel cock & joint nipple hose	1
15	09440-13019 SPRING, fuel pump & carburetor vacuum hose	2
16	44199HP9500 HOSE, fuel inlet	1

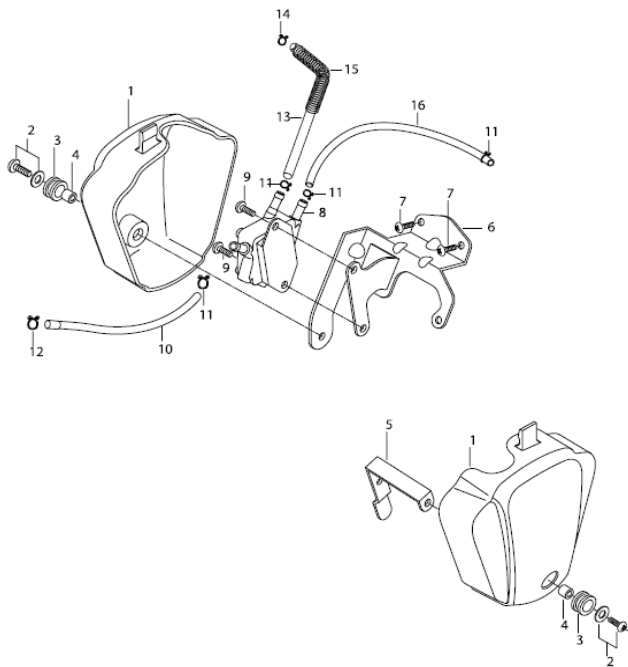
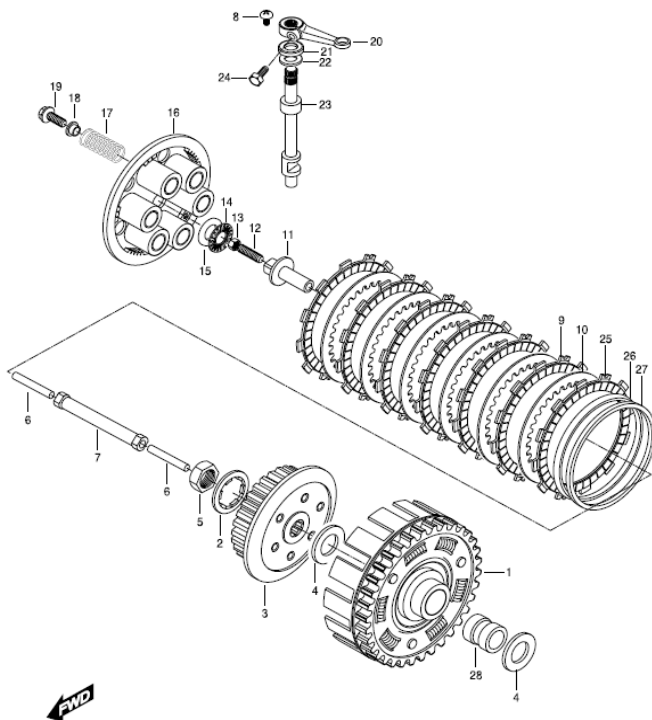


FIG. 18

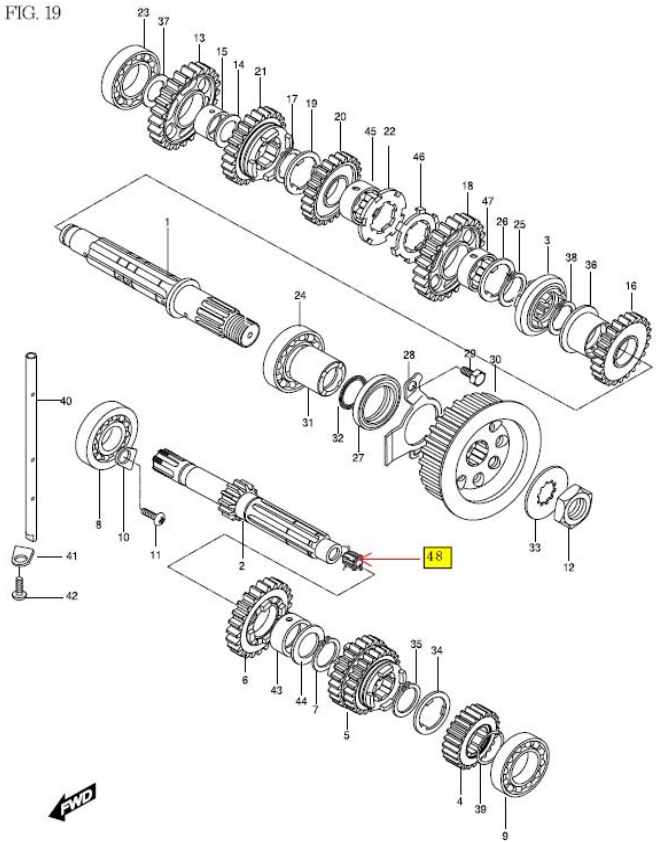
REF. NO.	PART NAME	Q'TY
1	21210HN9101HPA GEAR COMP, primary driven	1
2	09167H20001 WASHER, clutch sleeve hub thrust	1
3	21411HN9102 HUB, clutch sleeve	1
4	09160H20003 WASHER, primary driven gear thrust	1
5	09140H20001 NUT, clutch sleeve hub	1
6	23114HN9100 ROD, clutch push	1
6-1	23115HN9100 ROD,CLUTCH PUSH NO.2	1
7	23110HN9102 ROD COMP, clutch push M	1
8	09136-06017 STOPPER, clutch release camshaft oil seal	1
9	21441HN9100 PLATE, clutch drive	6
10	21451HN9100 PLATE, clutch driven	6
11	23121-38201 PIECE, clutch push	1
12	09134-06010 SCREW, clutch release adjuster	1
13	08310-22068 NUT, clutch release adjust	1
14	09263H15001 BEARING, clutch release thrust	1
15	09160-15015 WASHER, clutch release thrust	1
16	21462HN9101 DISK, clutch pressure	1
17	09440H20003 SPRING, clutch	6
18	21471HN9102 RETAINER, clutch spring	6
19	09100H06009 BOLT, clutch spring	6
20	23271HN9100 ARM, clutch release	1
21	09282H12002 OIL SEAL, clutch release camshaft	1
22	08211-12281 THRUST WASHER, clutch release cam shaft	1
23	23122HN9100 SHAFT, clutch release cam	1
24	01107-06208 BOLT, clutch release arm	1
25	21442HN9100 PLATE, clutch drive No.2	1
26	21443HN9100 WASHER, clutch wave	1
27	21444HN9101 SEAT, clutch wave washer	1
28	21251HN9102 SPACER, primary driven gear	1



REF. PART NAME Q'TY
NO.

1	24130HN9100HPA	SHAFT, drive	1
2	24121HP9500	SHAFT, counter	1
3	24421HP9500	WHEEL, sliding dog	1
4	24221HP9500	GEAR, 2nd drive	1
5	24231HP9500	GEAR, 3rd & 4th drive	1
6	24251HN9101	GEAR, 5th drive	1
7	09380H25001	CIRCLIP, 5th drive gear	1
8	08113-63040	BEARING, counter shaft R	1
9	08123-62030	BEARING, counter shaft L	1
10	24741HN9100	RETAINER, counter shaft bearing	1
11	02112-06128	SCREW, counter shaft bearing retainer	1
12	09159H20001	NUT, engine sprocket	1
13	24311HN9100	GEAR, 1st driven	1
14	09181H20001	SHIM, 1st driven gear L	1
15	24312HN9100	BUSH,1st driven gear	1
16	24321HP9500	GEAR, 2nd driven	1
17	09380H25001	CIRCLIP, 4th driven gear	1
18	24331HP9500	GEAR, 3rd driven	1
19	09167H25001	WASHER,6TH DRIVE GEAR	1
20	24341HN9100	GEAR, 4th driven	1
21	24351HN9101	GEAR, 5th driven	1
22	09167H25002	WASHER, 3rd & 4th driven gear thrust	1
23	08113-62030	BEARING, drive shaft R	1
24	08123-63050	BEARING, drive shaft L	1
25	09380H25001	CIRCLIP, 3rd driven gear	1
26	09167H25001	THRUST WASHER, 3rd driven gear	1
27	09282H36002	OIL SEAL, drive shaft	1
28	24751HN9100	RETAINER, drive shaft oil seal	1
29	01107-06106	BOLT, drive shaft oil seal retainer	2
30	27510HP9503	PULLEY COMP, drive	1
31	27531HN9100	SPACER, engine sprocket	1
32	09280H24001	O-RING, engine sprocket	1
33	09167H25004	WASHER,E/G Sprocket	1
34	09167H25001	WASHER,6TH DRIVE GEAR	1
35	09380H25001	CIRCLIP, 2nd driven gear	1
36	24221HN9100	BUSH, 2nd driven gear	1

FIG. 19



REF. NO.	PART NAME	QTY
37	09181H17001 SHIM, drive shaft	1
38	09380H25001 CILCLIP, 2nd drive gear	1
39	09380H22001 CILCLIP, 2nd drive gear	1
40	24761HN9102 PIPE, transmission oil	1
41	24741HN9100 RETAINER, transmission oil pipe	1
42	02112-06128 SCREW, transmission oil pipe retainer	1
43	24252HN9100 BUSH, 5th driven gear	1
44	09181H25001 SHIM, 5th driven gear	1
45	24332HN9100 BUSH, 4th driven gear	1
46	09167H25003 WASHER, thrust washer lock	1
47	24332HN9100 BUSH, 3rd driven gear	1
48	24125-38201 BUSH	2

FIG. 19

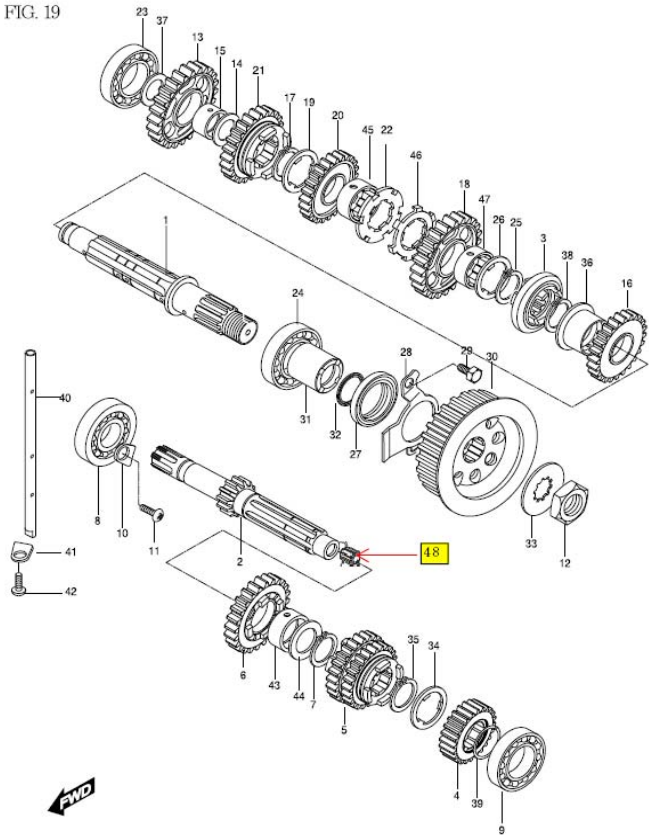


FIG. 20

REF. NO.	PART NAME	Q'TY	
1	25231HN9100	FORK, gear shift No.3	1
2	25211HN9100	FORK, gear shift No.1	1
3	25411HN9100	SHAFT, gear shift fork No.1	1
4	25421HN9100	SHAFT, gear shift fork No.2	1
5	25310HP9500	CAM COMP, gear shift	1
6	25221HN9100	FORK, gear shift No.2	1
7	25380HN9104	PLATE COMP, gear shift cam	1
8	04221-04089	PIN, gear shift cam plate	2
9	25321HN9100	BOLT, gear shift cam plate	1
10	24741HN9100	RETAINER, gear shift cam bearing R	2
11	09262H25002	BEARING, gear shift cam R	2
12	09261-04002	PIN, gear shift cam plate	6
13	02122-06128	SCREW, gear shift cam bearing retainer	2
14	09263H25001	BEARING, gear shift cam L	1
15	09440-04010	SPRING, gear shift switch contact	1
16	09209-05011	CONTACT, gear shift switch	1
17	09440H17001	SPRING, gear shift cam drive plate	1
18	09181H14001	SHIM, gear shift shaft thrust	2
19	09280-26003	O-RING, gear shift switch	1
20	37720HN9101	SWITCH ASS'Y, gear shift	1
21	02112-95208	SCREW, gear shift switch	2
22	09140-06011	NUT, gear shift link rod L (M6)	2
23	09448H17002	SPRING, gear shift cam stopper	1
24	09111-06019	BOLT, gear shift cam stopper	1
25	25350HN9100	STOPPER COMP, gear shift cam	1
26	08211-06121	WASHER, gear shift shaft thrust	1
27	25521HN9100	PLATE, gear shift cam drive	1
28	25510HN9101	SHAFT COMP, gear shift	1
29	09444H20011	SPRING, gear shift shaft return	1
OP	25525HP9550	ROD, gear shift link=323	1
30	25525HP9500	ROD, gear shift link=273	1
31	25671-01000	STOPPER, gear shift arm	1
32	09160H14003	WASHER, gear shift shaft thrust	1
33	08331-31149	CIRCLIP, gear shift shaft	3
34	09283H14002	SEAL, gear shift shaft oil	1
35	25520-32C00	ARM COMP, gear shift link	1
36	01107-06208	BOLT, gear shift link arm (M6X10)	1
37	08310-11068	NUT, gear shift link rod R (M6)	1

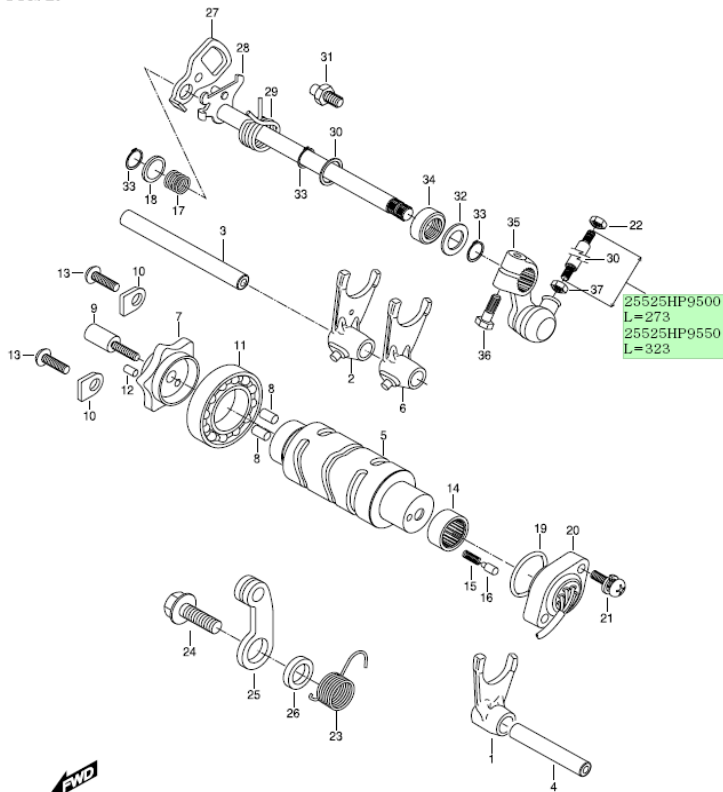
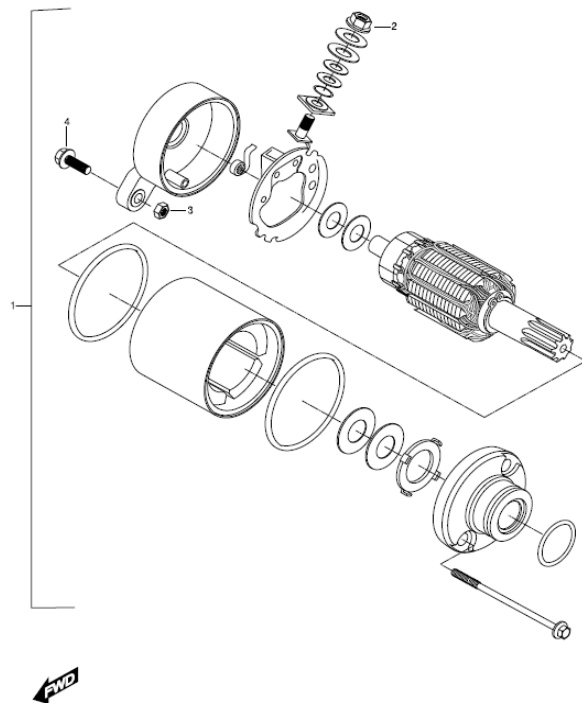


FIG 21. STARTING MOTOR

FIG. 21

REF. NO.	PART NAME	Q'TY	
1	31100HN9100	MOTOR ASS'Y, starting	1
2	08316-16068	NUT, starter motor terminal	1
3	08319-21068	NUT, start motor bracket	2
4	01547-06308	BOLT, start motor bracket	2



REF. NO.	PART NAME	Q'TY	
1	32100HN9101	MAGNETO ASS'Y	1
2	32101HN9101	STATOR ASS'Y	1
3	32102HN9100	ROTOR, fly wheel	1
4	02142-05128	SCREW, pick-up coil(M5X12)	2
5	07110-06308	SCREW, magneto stator(M5X30)	3
6	09103H12001	BOLT, magneto	1
7	09420H04001	KEY, magneto	1
8	09160H12003	WASHER, magneto	1

FIG. 22

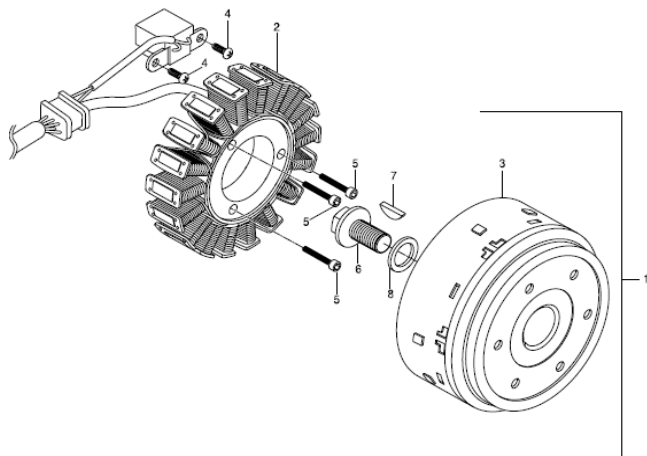


FIG. 23

REF. NO.	PART NAME	Q'TY
1	33610HM8100 BATTERY ASS'Y(12V 12Ah. STX14-BS)	1
2	33860HP9502 LEAD WIRE, battery minus(-)	1
3	09462H00009 BAND BATTERY	1

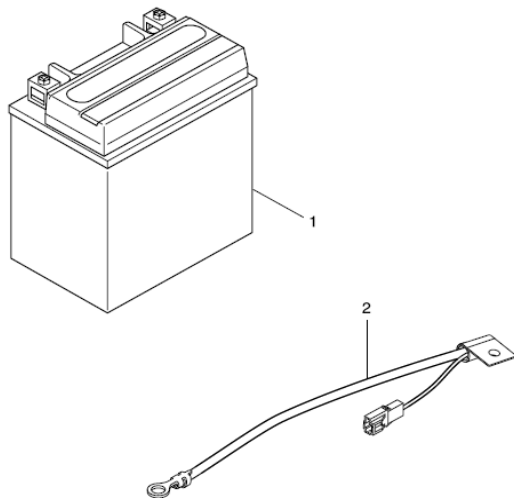


FIG. 24

REF. NO.	PART NAME	Q'TY	
1	31800HG5100	RELAY ASSY, starting motor	1
2	08316-26066	NUT, starter motor relay terminal	2
3	33840HP9502	LEAD WIRE, battery plus	1
4	33850HP9501	LEAD WIRE, starter motor	1
5	32800HN9101	RECTIFIER REGULATOR ASSY	1
6	01517-06166	BOLT, rectifier	2
7	33410HN9100	COIL ASSY, ignition front	1
8	33430HN9100	COIL ASSY, ignition rear	1
9	09128-06035	BOLT, ignition coil	4
10	33500HP9500	CAP ASSY spark plug	1
11	33541-23E01	SEAL, spark plug	2
12	33510-05C01	CAP, spark plug	2
13	33542-98000	SEAL, high tension cord	2
14	08322-21065	WASHER, ignitor	2
15	32900HN9111	IGNITOR ASSY.	1
16	09106-06030	BOLT, ignitor	2
16-1	09106H06031	BOLT, ignitor	2
17	38740HG5100	RELAY ASSY.	3
18	33545HP9500	BUSH, spark plus cap	2
19	36740-35C00	BOX ASSY, fuse (15A)	1
20	36740HN9100	BOX ASSY, fuse (30A)	1
21	33500HP9500	CAP ASSY, spark plug	1

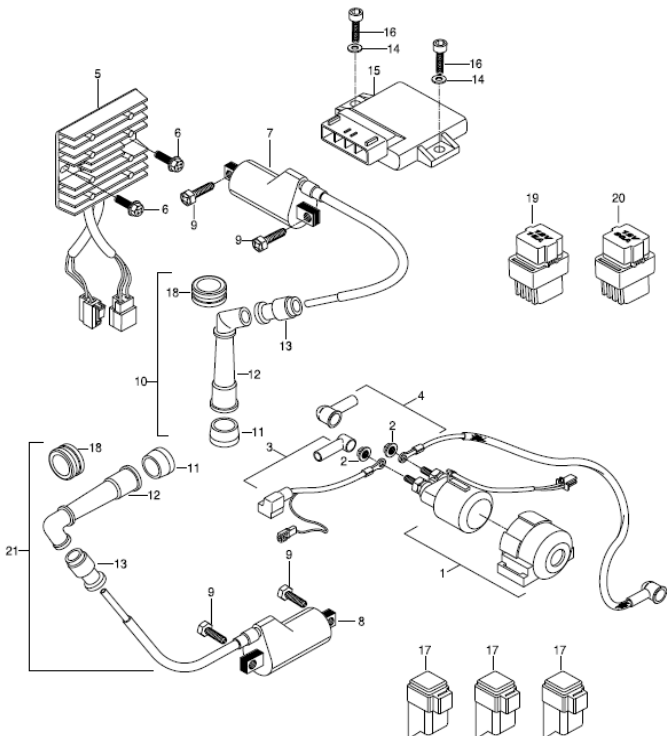


FIG. 25

REF. NO.	PART NAME	Q'TY	
1	34100HP9501	SPEEDOMETER ASS'Y	1
1-1	34111HP9500	SPEEDOMETER(-H9500 =>KM/H, -HP955	1
2	34150HP9500	WINDOWS, case	1
3	34160HP9500	CASE SUB, housing	1
4	34210HP9500	DECOLATION, speedometer	1
5	34950HP9500	BRACKET, speedometer	1
6	34170HP9500	WIRING ASS'Y, speedometer	1
7	09116-06010	BOLT, speedometer bracket	2
8	09320H09017	CUSHION	2

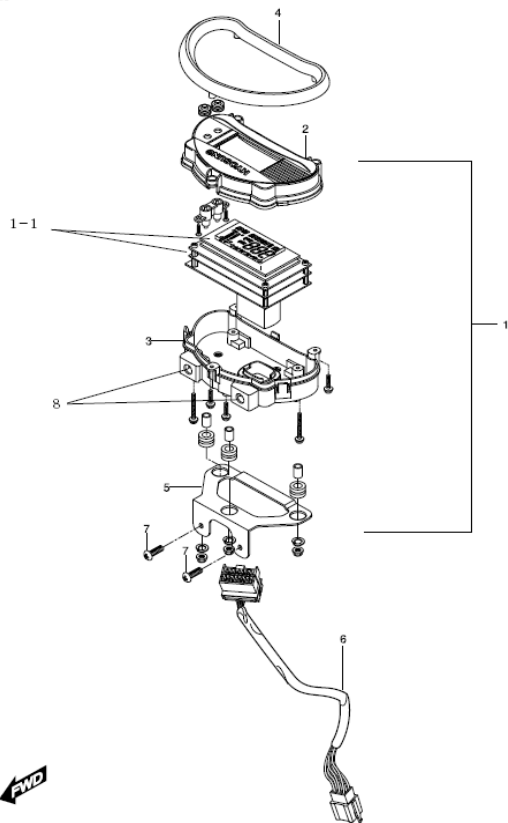


FIG. 26

REF. NO.	PART NAME	Q'TY
1	35100HP9560 HEAD LAMP ASS'Y(12V H4 60/55W)	1
2	35140HP9500 REFLECTOR+LENS	1
3	35111HP9500 RIM, head lamp	1
4	35130HP9500 SOCKET ASS'Y, HEAD LAMP(SOCKET + I	1
5	09471H12103 BULB (12V H4:60/55W) BULB (12V HB2 I	1
6	09471H12110 BULB, head lamp low(12V W5W)	1
7	09148-05039 NUT, head lamp	1
8	09404-08403 SCREW, head lamp	2
9	35172HP9500 HOLDER, bulb	1
10	35151HP9500 SCREW, head lamp aim'g(M4×40)	1
11	35154HP9500 SPRING, head lamp aim'g	1
12	35147HP9500 HOLDER, head lamp aim'g	2
13	35152HP9500 NUT, head lamp aim'g	1

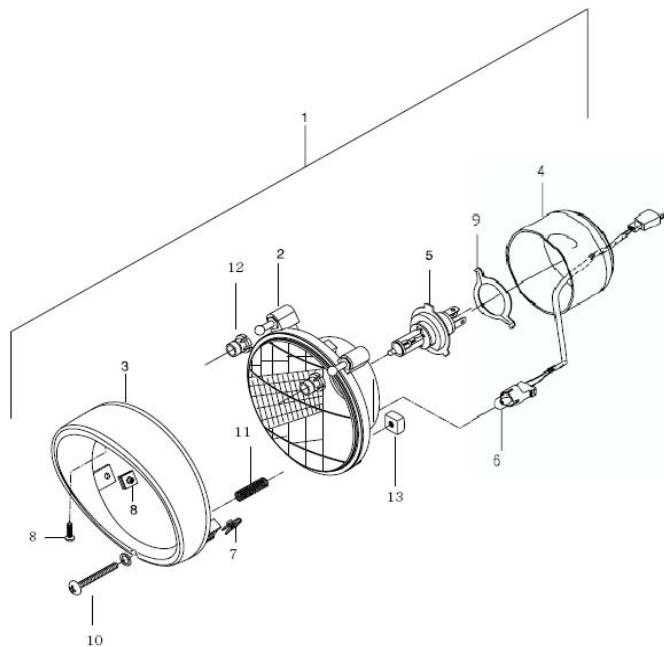


FIG 27. FRONT TURN SIGNAL LAMP

FIG. 27

REF. NO.	PART NAME	Q'TY
1	35601HP9501 LAMP ASSY, Ft turnsignal R	1
2	35602HP9501 LAMP ASSY, Ft turnsignal L	1
3	35614HP9500 REFLECTOR,turnsignal	2
4	09471H12112 BULB (12V G18:RY10W)	2
5	02142-05128 SCREW, turnsignal lamp	2
6	35609H93B00 VINYL WASHER	2
7	38610HL7300 RELAY ASSY, turnsignal	1
8	35612HP9500 LENS, Ft turnsignal R	1
9	35632HP9500 LENS, Ft turnsignal L	1

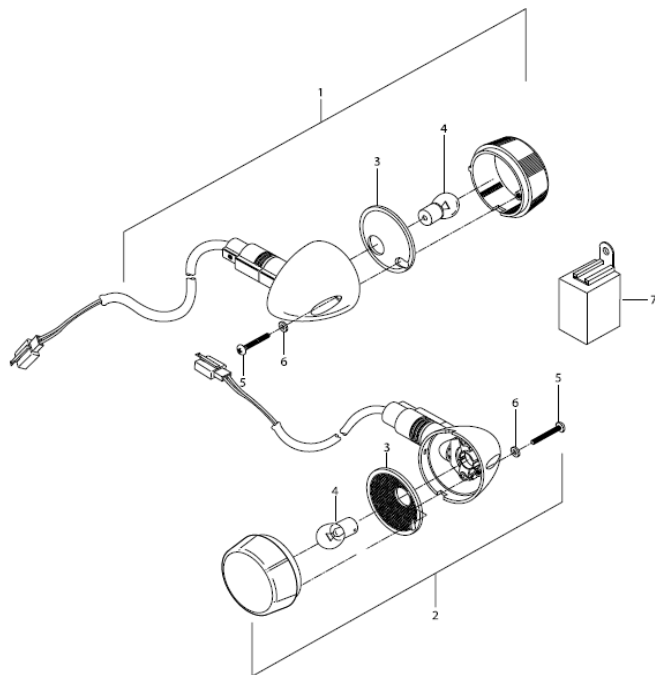


FIG 27-1. REAR TURN SIGNAL LAMP

FIG. 27-1

REF. NO.	PART NAME	Q'TY	
1	35603HP9501	LAMP ASSY, Rr turnsignal R	1
2	35604HP9501	LAMP ASSY, Rr turnsignal L	1
3	35614HP9500	REFLECTOR	2
4	09471H12112	BULB (12V G18:RY10W)	2
5	02142-05128	SCREW, turnsignal lamp	2
6	35609H93B00	VINYL WASHER	2
7	09160-06019	WASHER, Rr turnsignal	2
8	08316-26066	NUT, Rr turnsignal	2
9	35632HP9500	LENS, RR turnsignal R	1
10	35612HP9500	LENS, RR turnsignal L	1

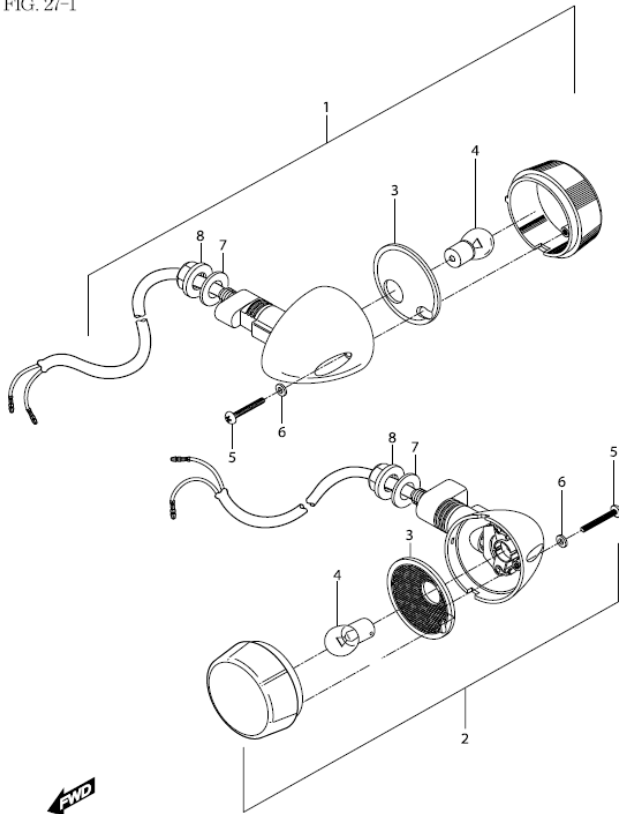


FIG 28. WIRING HARNESS

FIG. 28

REF. NO.	PART NAME	QTY	
1	36610HP9502	HARNESS, wiring	1
2	38500HP9500	HORN ASSY	1
3	37000HP9500	SWITCH ASSY, ignition	1
3-1	37110HG5150	BLANK KEY	1
4	01517-06166	BOLT, ignition switch	2
5	37740HP9500	SWITCH ASSY, rear stop	1
6	01517-06168	SCREW, horn	1
7			
8			
9			
10	09407-20406	CLAMP	3
11	09443H06017	SPRING, stop lamp switch	1
12	38520HP9500	BRACKET, horn	1
13	01527-10258	BOLT, horn bracket	1
14	36670HP9500	LEADWIRE, rear combi	1

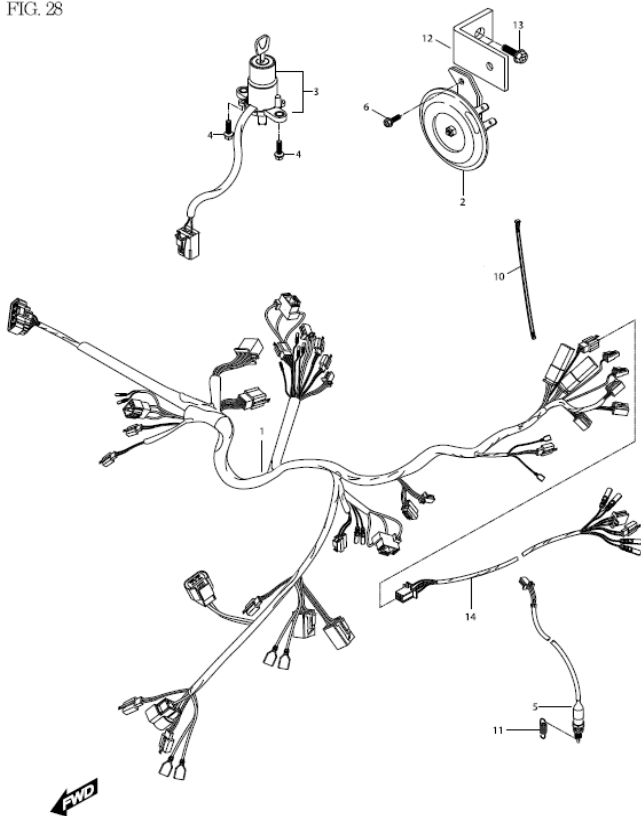


FIG 29. REAR COMBINATION

FIG. 29

REF. NO.	PART NAME	QTY
1 35710HP9500	LAMP ASS'Y, tail & stop	1
2 03241-05166	SCREW, tail & stop	2

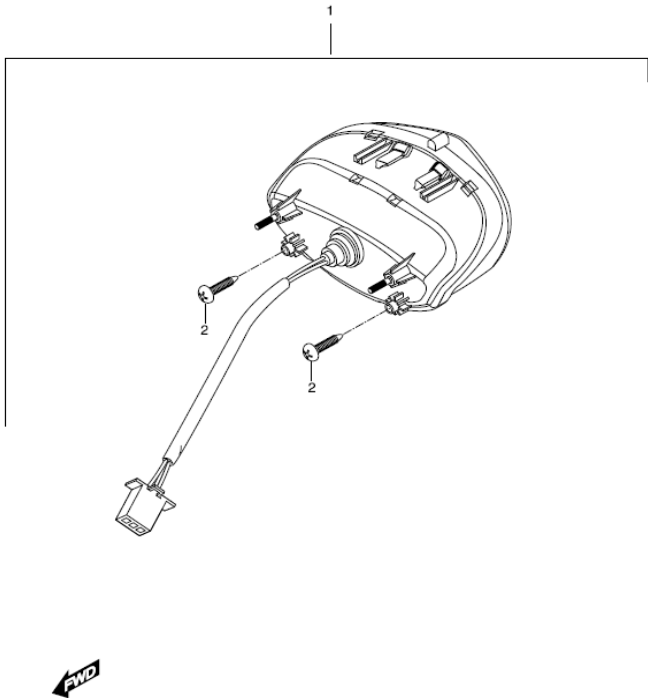


FIG. 30

REF.	PART NAME	Q'TY	
NO.			
1	41100HP950303P	FRAME COMP	1
2	41165HP9501	SHAFT, engine mounting link	1
3	09141H26001	LOCK NUT, engine mounting link & shaft	1
4	41191HN9101	SHAFT, engine mounting RR lower	1
5	09141H20001	LOCK NUT, engine mounting RR lower	1
6	61211HP9501	SHAFT, RR swingarm pivot	1
7	41181HP9500	SHAFT, engine mounting RR upper	1
8	41150HP950103P	TUBE COMP, frame down L.	1
9	07110-08358	BOLT, frame joint	4
10	08319-31128	NUT, engine mounting front	1
11	08319-31108	NUT, frame & engine RR upper	1
12	08319-31108	NUT, engine mounting RR lower	1
13	08319-31108	NUT, engine mounting RR upper	1
14	08316-16088	NUT, frame joint	4
15	41975HP9501	CAP, frame bridge lower tube	2
16	41977HP9500	CAP, rear swingarm pivot R boss	1
17	41976HP9501	CAP, E/G M.T.G RR plate R boss	1
18	41170HP9500	SPACER COMP, engine mounting front L.	1
19	09320H12025	CUSHION COMP, engine mounting front L.	2
20	41167HP9500	SPACER, engine mounting front L.	1
21	41161HP9500	SPACER, engine mounting front R.	1
22	44185HP9501	STAY, fuel tank	1
23	56222HG5100	CAP,handle holder upper blt	4
24	09263-22017	BEARING,rear swingin	2
25	61252HN9100	SPACER, rear s/arm pivot LH	1
26	61251HP9501	SPCR, s/arm pivot bear'g RH	1
27	61262-45002	COVER, rear s/arm	2
28	09103-10055	BOLT BRACE & FRAME	2
29	08319-31108	NUT BRACE & FRAME	2

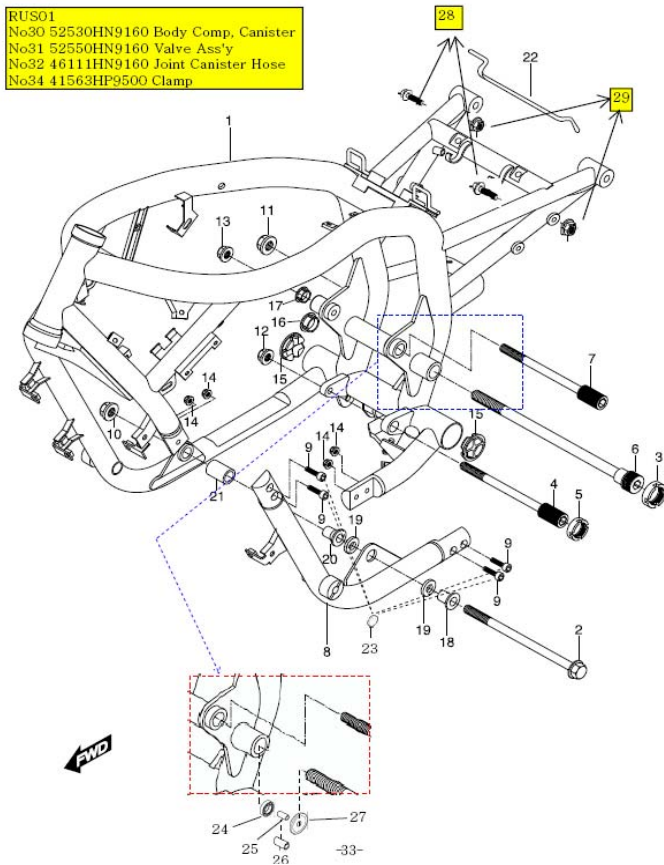


FIG. 31

REF. NO.	PART NAME	Q'TY
1	42310HP9501PLA STAND COMP, prop	1
2	09111H10050 BOLT, prop stand ~KM4VP571361600216	1
2~1	09111H10052 BOLT, prop stand KM4VP571361600217~(05.10~)	1
3	08310-22106 NUT, prop stand	1
4	09443-15047 SPRING, prop stand outer	1
5	09443-06001 SPRING, prop stand inner	1
6	08221-12225 SHIM, prop stand	1
7	37840HP9500 SWITCH ASSY, side stand	1
8	01517-06206 BOLT, side stand No.1	1
9	01517-06206 BOLT, side stand No.2	1

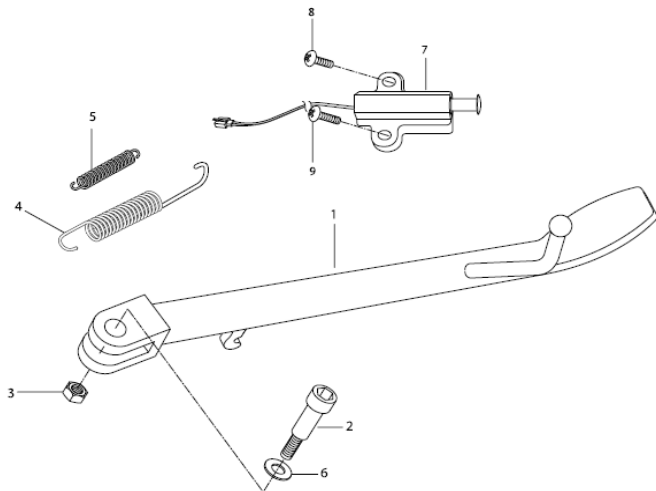


FIG. 32

REF. NO.	PART NAME	Q'TY	
1	43110HP9502PLA	PEDAL COMP, brake	1
2	43510HP9502PLA	BOSS, ft footrest	1
3	43580HP9502PLA	BRACKET COMP, ft footrest joint RH	1
4	09103H10149	BOLT, ft footrest	1
5	09443H10011	SPRING, ft brake pedal return	1
6	43550H93B00	RUBBER COMP, ft footrest	1
7	43501HP9500	FOOTREST ASS'Y, front RH	1
8	69600HP9500	CYLINDER ASS'Y rear master	1
9	69740HM8100	TANK ASS'Y reserver	1
10	69700HP9501	HOSE, reserver tank	1
11	09400H13001	CLAMP, reserver tank hose	1
12	01517-06168	BOLT, reserver tank	1
13	08321-31108	LOCK WASHER	1
14	43571HP9500	BAR, front footrest RH	1
15	09448H16001	SPRING, front footrest bar	1
16	08332-11106	E-RING, front footrest	1
17	07110-06128	BOLT, front footrest bar	1
18	43579HP9500	PIN, front footrest bar	1
19	43572HP9500PLA	CAP, ft footrest boss	1
20	07110-10258	BOLT, ft footrest boss cap	1
21	08321-31108	LOCK WASHER	1
22	69800HP9500	TANK SET reserver	1
23	69609HP9501	CYLINDER SET, rear master	1

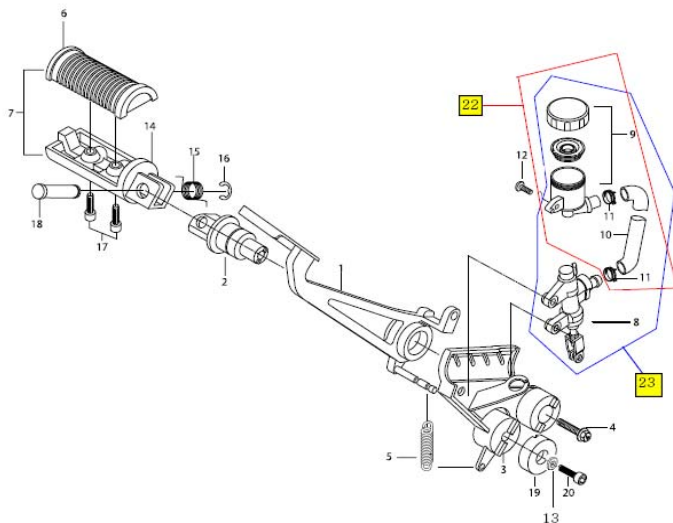
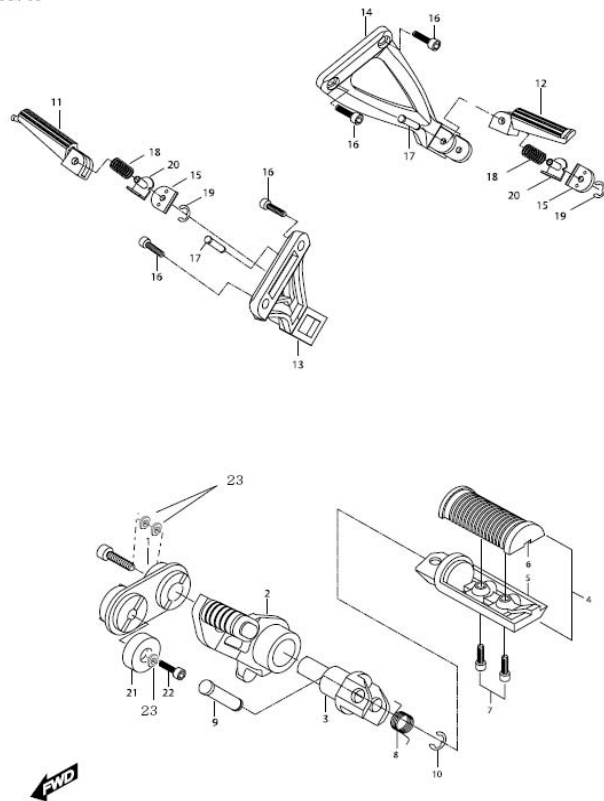


FIG. 33

REF. NO.	PART NAME	Q'TY
1	43590HP9501PLA BRKT COMP, ft footrest joint LH	1
2	25601HP9550 LEVER COMP, gear shift (Lever ASSY+ Rod	1
	25600SP9550 LEVER ASS'Y, gear shift (Joint + Rubber, gea	1
3	43510HP9502 BOSS COMP, ft footrest	2
4	43502HP9500 FOOTREST ASS'Y, front RH	1
5	43581HP9500 BAR, ft footrest LH	1
6	43550H93B00 RUBBER COMP, ft footrest	1
7	07110-06128 BOLT, front footrest bar	2
8	09448H16001 SPRING, ft footrest bar	1
9	43579HM8101 PIN, ft footrest bar	1
10	08332-11106 E-RING, ft footrest	2
11	43661HM8101 BAR, ft footrest RH	1
12	43671HM8101 BAR, ft footrest LH	1
13	43620HP950003P FOOTREST BAR, pillion R	1
14	43720HP950003P FOOTREST BAR, pillion L	1
15	43641HM8101 PLATE, pillion stopper NO.2	2
16	07120-08258 BOLT, pillion footrest	4
17	43679HM8101 PIN, pillion footrest RH	2
18	09448H14007 SPRING, pillion footrest RH	2
20	43631HM8101 PLATE, pillion stopper NO.1	2
21	43572HP9500PLA CAP, front footrest boss	2
22	07110-10258 BOLT, front footrest boss cap	2
23	08321-31108 LOCK WASHER	3



Mirage => 68120HP9500CR
 Aquila => 68120HP9550CR
 Avitar => 68120HP9560CR

REF. NO.	PART NAME	QTY
1	44110HP9503 TANK COMP, fuel(color : CDS, CMB, CTB)	1
2	44180HP9501 BRACKET COMP, fuel tank front lower	1
3	44183HP9502 SPACER, fuel tank front lower brkt	1
4	09103H06001 BOLT, fuel tank front lower brkt & fuel tank	1
5	09329H28001 CUSHION, fuel tank side	2
6	09116H08078 BOLT, fuel tank front brkt	1
7	09320-14013 CUSHION, fuel tank front upper	1
8	09180H08007 SPACER, fuel tank front cushion	4
9	09320H10020 CUSHION, fuel tank front lower	1
10	09116H08078 BOLT, fuel tank RR	2
11	09320-14013 CUSHION, fuel tank RR upper	2
12	09180H08007 SPACER, fuel tank RR cushion	2
13	09320H10020 CUSHION, fuel tank RR lower	2
14	44200H35C30 CAP ASSY, fuel tank filler	1
15	09401H11401 CLIP, strainer outlet & fuel pump	1
16	09106-05017 BOLT, fuel tank filler	4
17	34810HP9501 GAUGE ASSY, fuel lever	1
18	09128-06035 BOLT, fuel level gauge	2
19	44199HP9500 HOSE, fuel strainer outlet	1
20	09401-10401 CLIP, fuel inlet hose	4
21	44300HP9501 COCK ASSY, fuel	1
22	09128-06035 BOLT, fuel cock	2
23	09168-06010 GASKET, fuel cock spring, fuel on	2
24	44197HP9500 HOSE, fuel cock vacuum & intake pipe	1
25	09401-08401 CUP, fuel cock & intake	5
26	44150HP950003P BRKT COMP, fuel tank front upper	1
27	08316-16066 NUT, fuel tank front upper brkt	2
28	68120HP9550CR EMBLEM, HYOSUNG	2
29	09160H06057 WSHR, f/tank ft low bkt&upp bkt	1
	68319H05350PL Plate Caution	1
30	44215HP9501 HEAT SHIELD, F/Tank	1
31	44216HP9500 CUSH,F/TANK INN BODY RR(1
32	34811HP9500 gasket fuel sender	1

FIG. 34

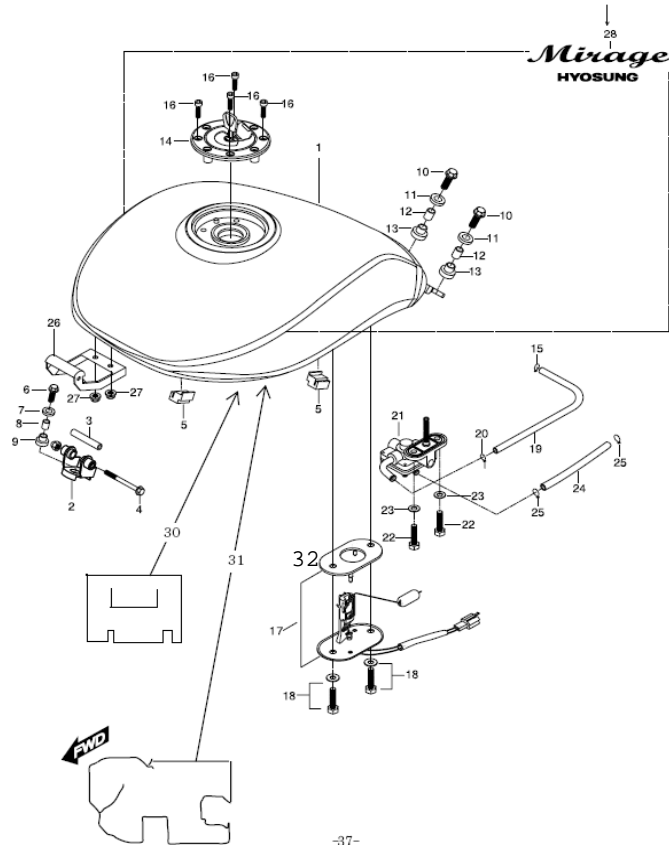
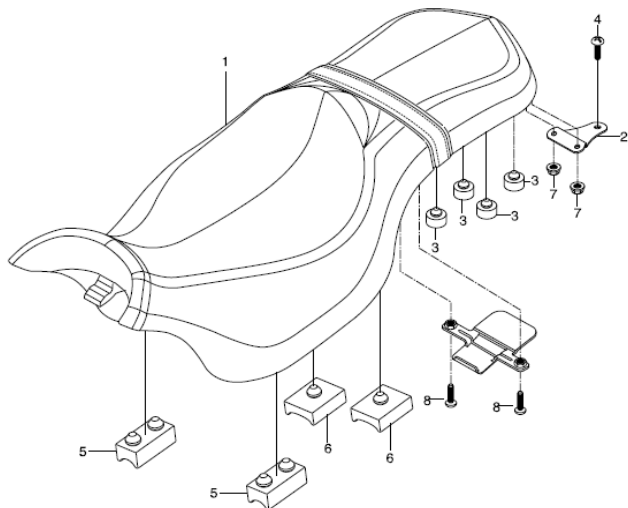


FIG. 35

REF. NO.	PART NAME	Q'TY
1	45100HP9504 SEAT SET	1
2	45278HP9501 BRKT, seat rear	1
3	09321-10001 BOSS	4
4	47311HP9500 BOLT, tail cover & RR seat bracket	1
	-KM4VPS1A351100001	
4-1	47312HP9500 BOLT, tail cover & RR seat bracket	1
	KM4VPS1A351100002-(05.07-)	
5	45176HP9500 CUSHION, seat front	2
6	45177HP9500 CUSHION, seat rear	2
7	08319-31068 NUT	2
8	02142-06256 SCREW	2



FWD

FIG. 36

REF. NO.	PART NAME	QTY
1	94665HP9503 COVER, air duct rear R	1
2	94666HP9504 COVER, air duct rear L	1
3	94661HP9501 COVER, air duct front R	1
4	94662HP9501 COVER, air duct front L	1
5	94667HP9501 GRILL, air duct R	1
6	94668HP9501 GRILL, air duct L	1
7	94663HP9500 PLATE, air duct rear cover R	1
8	94664HP9500 PLATE, air duct rear cover L	1
9	47511HP950103P COVER, front side R	1
10	47512HP950103P COVER, front side L	1
11	02142-06206 SCREW, air duct rear cover & frame	2
12	09106H06150 BOLT, front side cover R/L	4
13	09106H06150 BOLT, air duct RR cover & plate air duct RR	2
14	09106H05150 BOLT,air duct FT cover & air duct RR cover	2
15	09148-05039 NUT, air duct front cover R/L	2
16	03241-04128 SCREW, air duct F/T cover & grill R/L	6
17	03241-05165 SCREW, speedometer case	2
18	94811HP9501 COVER, radiator	1
19	09106H06150 BOLT, radiator	4
20	09160-06006 WASHER, radiator	4
21	94812HP9502 GRILL, radiator cover upper	1
22	94813HP9502 GRILL, radiator cover lower	1
23	03241-04128 SCREW, radiator & grill	13
24	34106HP9501 CASE, speedometer front	1
25	34107HP9500 CASE, speedometer rear	1
26	09106H05160 BOLT, speedometer case	2
	-KM4VP51A351100001	
26-1	09106H05150 BOLT, speedometer case KM4VP51A351100002-(05.07-)	2
27	09320-09016 CUSHION, radiator	4
28	09180-06114 SPACER, radiator	4
29	09169-06010 WSHR	2

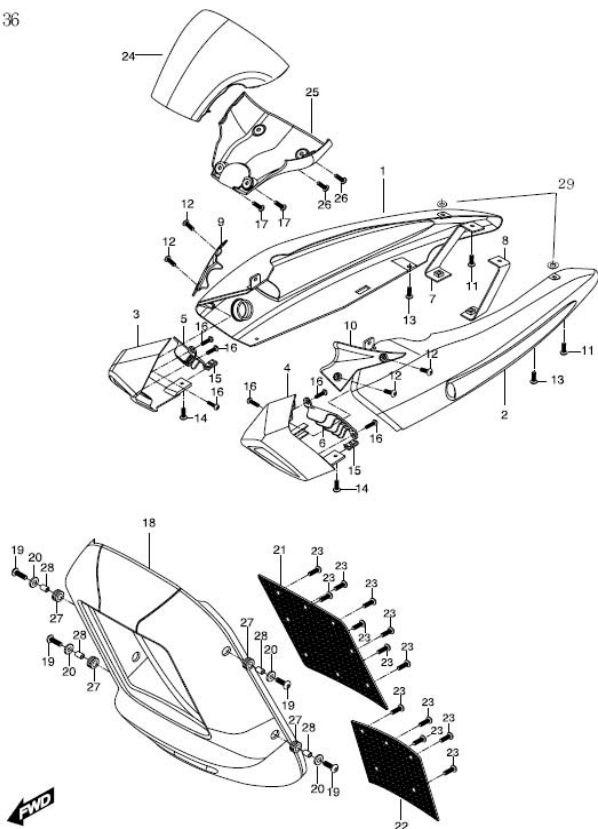


FIG. 37

REF. NO.	PART NAME	QTY
1	45511HP9502 COVER, seat tail (color : CDS,CMB,CTB)	1
	COVER, seat tail (color : CDS,CLO,CMB)	1
2	63511HP9503 PILLION, rider RH	1
3	63521HP9503 PILLION, rider LH	1
4	45520HP9502 BRACE COMP, seat tail cover	1
5	09180H08129 SPACER.	4
6	09320-11008 CUSHION	4
7	09180-06030 BOSS, tail cover & seat brkt	2
8	01517-06205 BOLT, brace & tail cover	6
9	45178HP9501 BRACKET, tail cover & seat	1
10	62311HP9502 BOLT, rear sorber upper	2
11	08321-21088 WASHER	1
12	08321-21088 WASHER.	1
13	08321-21088 WASHER.	4
14	01517-08468 BOLT, pillion rider RH	1
15	01517-08468 BOLT, pillion rider LH	1
16	01517-06166 BOLT, tail cover & frame	2
17	09320H12060 GROMMET,Seat Tail Cover	1

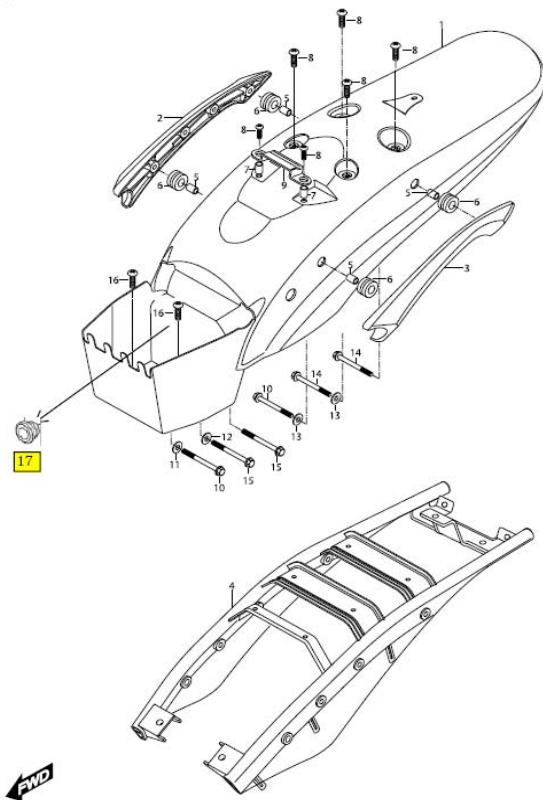
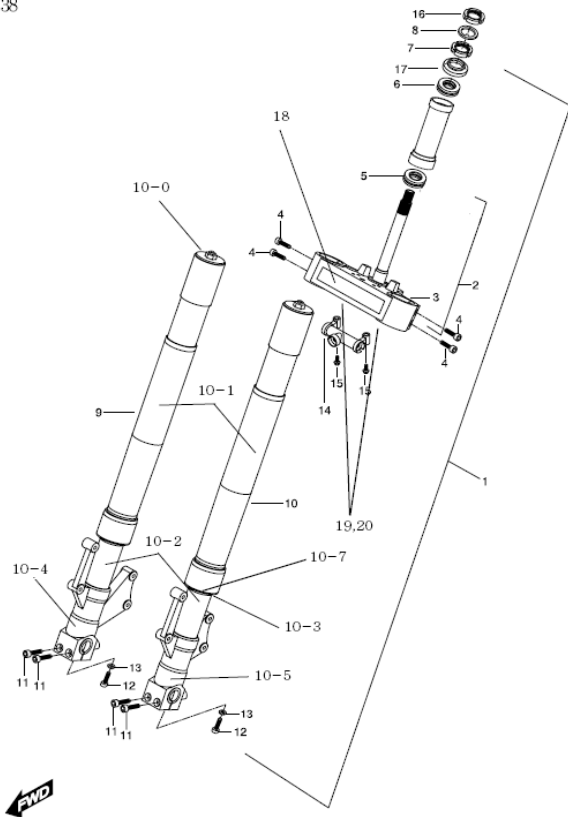


FIG. 38

REF. NO.	REF.	PART NAME	QTY
1	51100HP9501HPA	FORK ASS'Y, front	1
2	51410HP9500HPA	BRACKET, FT FORK UNDER	1
3	51411HP9504CR	BRACKET, under	1
4	07110-08308	BOLT, bracket comp under	4
5	09265H28001	BEARING, steering lower	1
6	09265H25001	BEARING, steering upper	1
7	51631HN9100	NUT, steering stem	1
8	09166H25001	WASHER, steering stem	1
9	51210HP9501	DAMPER ASS'Y, front fork RH	1
10	51220HP9501	DAMPER ASS'Y, front fork LH	1
10-0	52120HN9100	CAP, outer tube	2
10-1	52220HP9500CM2	OUTER, tube	2
10-2	52110HP9500	FORK, pipe	2
10-3	52611HG5800	OIL, seal	2
10-4	52280HM8104C20	BOOTTOM, block RH	1
10-6	52270HM8104C20	BOOTTOM, block LH	1
10-7	52620-G5800	AIR DUST COVER	1
11	09106H08458	BOLT, axle grip	4
12	52710-N9100	BOLT, bottom	2
13	52730-G5800	WASHER, seal	2
14	51511HP9501	JOINT, front brake hose	1
15	01517-06308	BOLT, front brake hose joint	2
16	51631HN9100	NUT, stem upper	1
17	51643HG5801	DUST SEAL, steering stem	1
18	68110HP9500CR	EMBLEM	1
19	08322-11108	WASHER	2
20	01517H10306	BOLT(30mm), Handle Bar Upp	2



REF. NO.	PART NAME	Q'TY
1	51311HP9502CR BRACKET, front fork upper	1
1-A	51311HP9503CR BRACKET, front fork upper KM4VP571671601282(06.08.07)-	1
2	51411HP9504CR BRACKET COMP, under	1
3	51631HN9100 NUT, stem upper	1
4	09166H25001 WASHER, steering stem	1
5	07110-08258 BOLT, front fork upper bracket	4
6	51710HP9501 COVER, turn signal tube	1
7	51720HP9500PLA TUBE COMP, turn signal	1
8	02142-06166 BOLT, turn signal cover	2
9	02142-05128 SCREW, turn signal lamp & cover	2
10	68110HP9500CR EMBLEM, HYOSUNG	1
11	51900HP9500 LOCK ASSY, steering	1
12	02122-06128 SCREW, steering lock	2
13	56222HG5100 CAP, handle holder upper blt	8
14	68500HP9500 TAPE, FRONT FORK UPPER(tracing tape) KM4VP51AX51100630-(05.08-)	1

FIG. 39

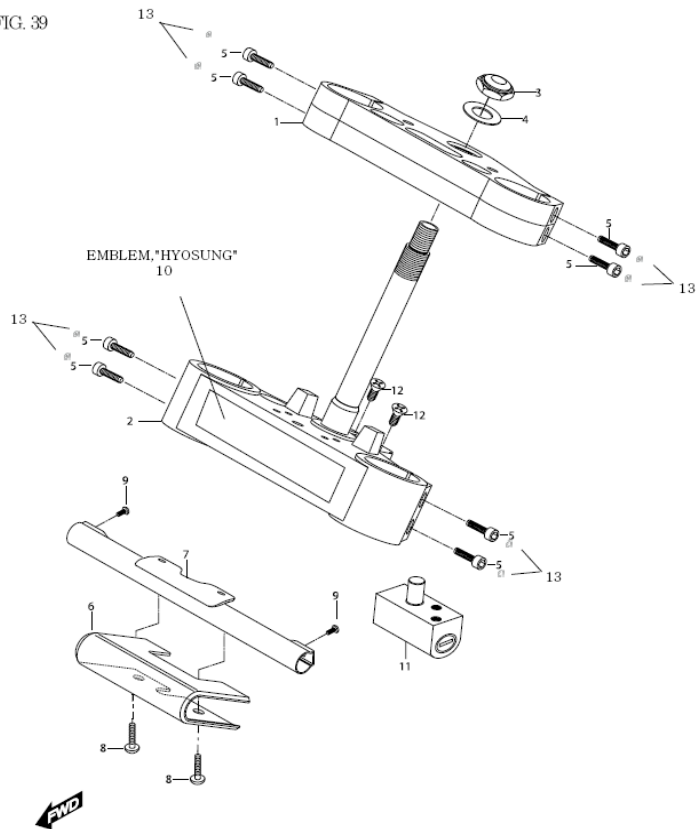


FIG. 40

REF. NO.	PART NAME	QTY	
1	53111HP9502	FENDER, front (color:ODS,OMB,OTB)	1
		FENDER, front (color:ODS,OLO,OMB)	1
2	59430HP9501	CLAMP COMP, F/T brake hose R	1
3	59440HP9501	CLAMP COMP, F/T brake hose L	1
4	09106H08150	BOLT, front fender & cauper	2
5	09404-06404	CLAMP, speedometer	1
6	53311HP9501	FENDER, front upper	1
7	53210HP9502	BRACE COMP, front fender	1
		-KM4VP51A151100367	
7-1	53210HP9503	BRACE COMP, front fender	1
		KM4VP51A151100368-(05.08-)	
8	09106H06200	BOLT, front fender	8
9	51821HP9501	HOUSING, headlamp	1
10			
11	02112-95208	SCREW, housing & headlamp	3
12	08322-21068	WASHER, front fender& brace	4
13	09169H06078	WASHER, front feder	4
14	08316-26066	NUT, headlamp housing brkt & under brkt	2
15	09148-04024	NUT, head lamp housing	1
16	09404-06405	CLAMP, head lamp housing	1
17	03241-05106	SCREW, head lamp housing clamp	1

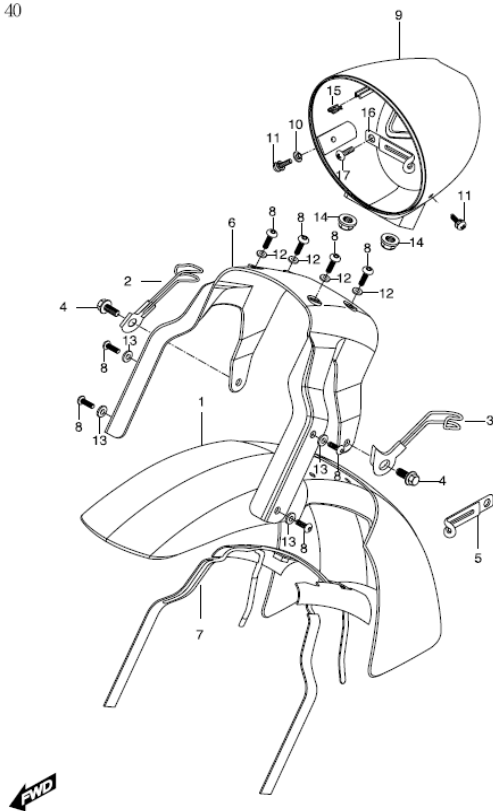


FIG. 41

REF. NO.	PART NAME	QTY
0	54140SP9500HPA WHEEL, front ASSY	
1	54141HP9500 WHEEL, front (J18×MT3.50)	1
2	55100HP9500 TIRE SET, front	1
3	59220HP9502 DISC COMP, front brakel L	1
4	09106H08230 BOLT, front brakel	12
4-1	59421-03A01 BOLT, front brakel	12
5	54711HG5101 AXLE, front	1
6	54750HP9501 SPACER COMP, front axle R	1
7	54721HM8100 NUT, front axle	1
8	54690HM8101 COVER, front wheel	1
9	08124-63027 BEARING, front hub	2
10	54730HP9500 SPACER COMP, front hub	1
11	55220-29C20 VALVE ASSY, wheel rim	1
12	59210HP9502 DISC COMP, front brake R	1
13	09283H25002 OIL SEAL, front bearing	1
14	34860HP9201 SENSOR ASSY, speedometer	1
15	64162HN9100 WEIGHT, wheel balance	1

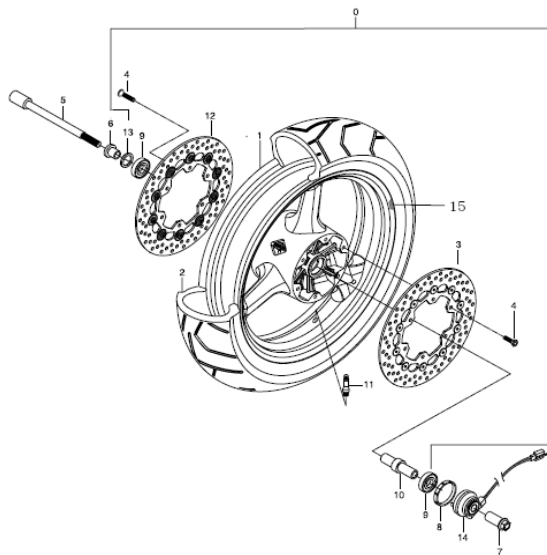


FIG 42. HANDLE BAR

REF. NO.	PART NAME	Q'TY
1	56110HP9504PLA HANDLE BAR COMP	1
1-A	56110HP9506PLA HANDLE BAR COMP KM4VP571671601282(06.08.07)~	1
2	58200HP9501 CABLE ASS'Y CLUTCH	1
3	58300HP9501 CABLE ASS'Y, throttle	1
4	58410HP9501 CABLE COMP, starter	1
5	56500HP9501 MIRROR ASS'Y, rear view R	1
6	56600HP9501 MIRROR ASS'Y, rear view L	1
7	09200-06004 PIN, clutch cable	1
8	04111-20158 COTTER PIN, clutch	1
9	58600HP9501 CABLE ASS'Y, throttle return	1
10	09408-00002 CLIP	2

FIG 42

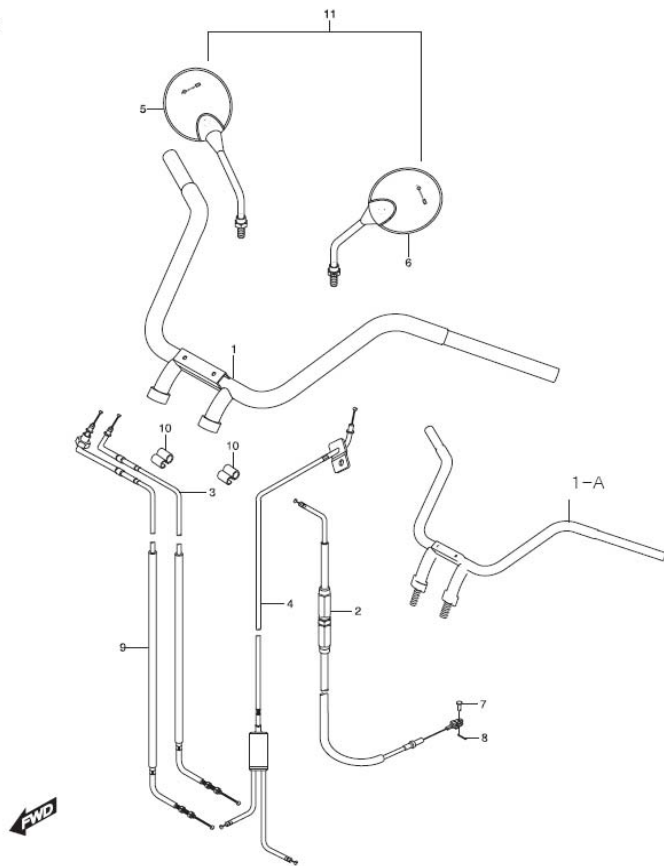


FIG. 43

REF. NO.	PART NAME	Q'TY
1	37200HP9501 SWITCH ASS'Y, handle R	1
2	57110HG5101 GRIP COMP, throttle	1
3	56271HP9500PLA BALANCER, handlebar	2
4	57421H93B00 LEVER, brake	1
	KM4VP51A361102494~(05.12-)	1
4-1	57300HN9102 LEVER ASS'Y, brake	1
5	07110-08208 BOLT, handle balancer	2
6	37400HP9501 SWITCH ASS'Y, handle L	1
7	57210HG5100 GRIP, L	1
8	09407-14403 CLAMP, handle switch harness(125mm)	2
9	57460HP9500 SWITCH ASS'Y, clutch	1
10	57431H18623 BOLT, brake lever pivot	1
	-KM4VP51A351100001	
10-1	57431H18622 BOLT, brake lever pivot	1
	KM4VP51A351100002~(05.07-)	
11	08319-21068 NUT, brake lever pivot	1
12	57460-17C00 SWITCH ASS'Y, stop	1
13	02112-05105 SCREW, stop switch	1
14	57620HP9500 LEVER COMP, clutch	1
14-A	57620HN9101 LEVER COMP, clutch	1
	KM4VP51A361102494~(05.12-)	
15	57500HP9500 LEVER ASSY,clutch	1
15-A	57500HP9501 LEVER ASSY,clutch	1
	KM4VP51A361102494~(05.12-)	
15-1	57511HP9500 HOLDER, clutch lever	1
15-1-A	57511HP9501 HOLDER, clutch lever	1
	KM4VP51A361102494~(05.12-)	
16	57431H93B00 BOLT SET, clutch lever pivot	1
17	08319-21068 NUT, clutch lever pivot	1
18	57451H93B00 BOLT, clutch lever holder	1
19	57442H93B00 LOCK NUT	1
20	57441H93B00 ADJUSTER, wire	1
21	57661HJ8200 COVER, clutch lever	1
21-1	57661HN9100 COVER, clutch lever	1

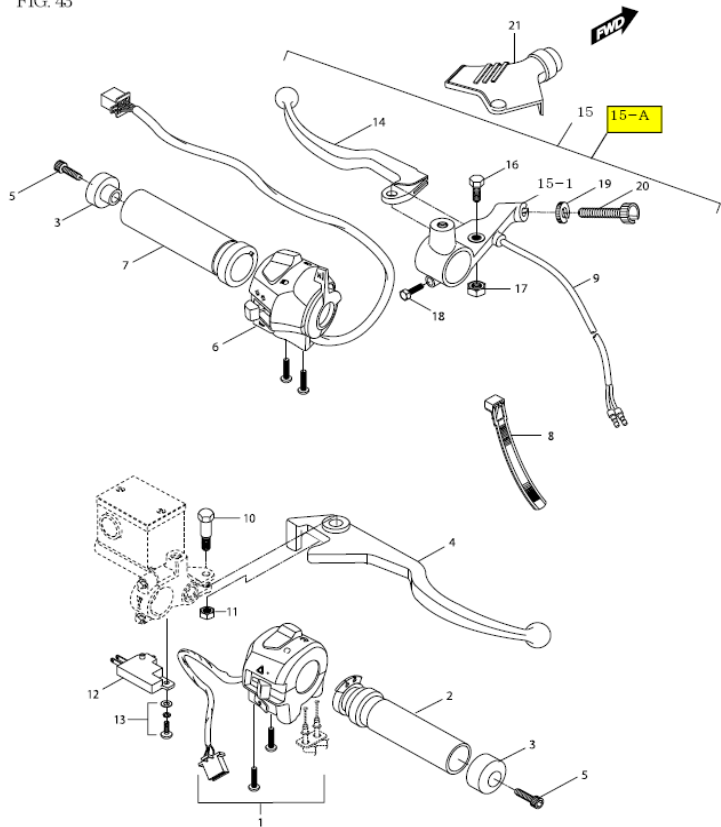


FIG. 44

REF. NO.	PART NAME	QTY
0	59300HN9100 CALIPER ASS'Y, L	1
1	09103H08254 BOLT, caliper	2
2	59301HP9500 PAD SET(8,4 t)	1
3	59360HN9100 CARRIER ASSY, F/T caliper LH	1
4	59303HG5100 PISTON SET, caliper	1
5	59313HG5100 INSULATOR, caliper	1
6	59302HG5100 AXLE, caliper pad	1
7	59121HG5100 BREATHER	2
8	59305HG5100 SPRING	1
9	59122HG5100 CAP	2
10	59312HG5100 BOOT	1

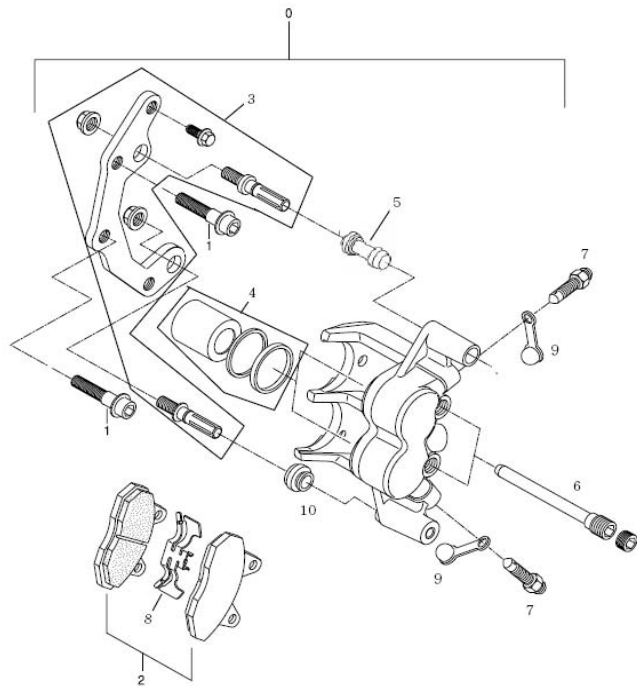


FIG. 45

REF. NO.	PART NAME	Q'TY
0	59400HN9100 CALIPER ASS'Y, R	1
1	09103H08254 BOLT, caliper	2
2	59301HP9500 PAD SET(8,4 t)	1
3	59350HN9100 CARRIER ASSY, F/T caliper RH	1
4	59303HG5100 PISTON SET, caliper	1
5	59313HG5100 INSULATOR, caliper	1
6	59302HG5100 AXLE, caliper pad	1
7	59121HG5100 BREATHER	2
8	59305HG5100 SPRING	1
9	59122HG5100 CAP	2
10	59312HG5100 BOOT	1

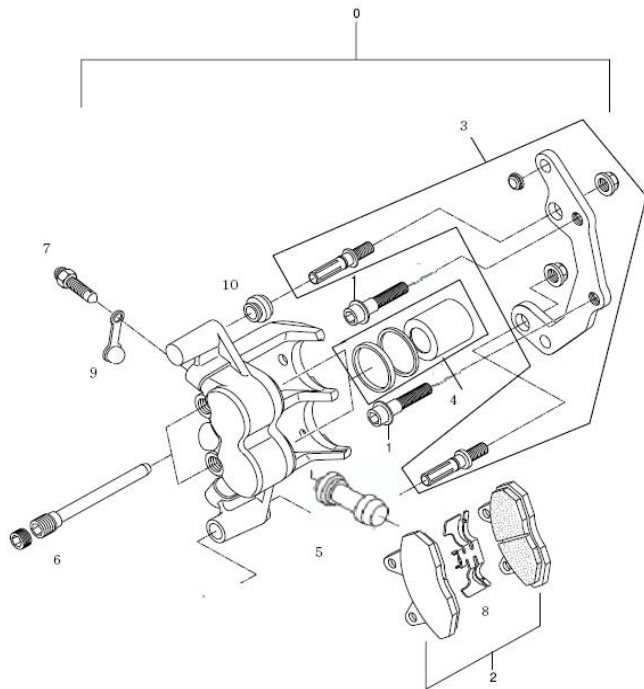


FIG. 46

REF. NO.	PART NAME	QTY	
0	59600HP9502	CYLINDER ASS'Y, front master	1
0-1	59600HP9503	CYLINDER ASS'Y, front master	1
KM4VPS1A361102494~(05.12~)			
1	59687HM8162	.BODY	1
2	59669SP9510	CAP SET, reservoir (2-A + 2-B)	1
2-A	59669HP9500	CAP, reservoir	1
2-B	59511HP9200	PLATE, reservoir cap	1
3	59610HN9100	.PISTON, SET	1
4	59691-35C00	.SCREW	2
5	59671HP9500	.HOLDER	1
6			
7	01107-35C00	.BOLT, holder	2
8	59667HP9200	DIAPHRAGM	1

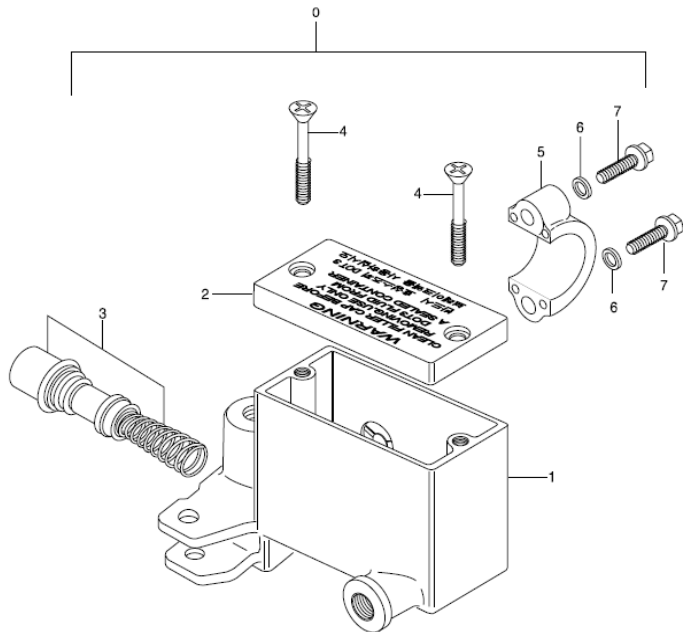


FIG 47. FRONT BRAKE HOSE

REF. NO.	PART NAME	QTY
1	59711H49002 BOOT, brake hose	1
2	59460HP9501 HOSE COMP, FT brake R	1
3	09161-10009 WASHER, brake hose	16
4	59450HP9502 HOSE COMP, front brake upper	1
5	69450HP9501 HOSE, rear brake caliper	1
6	59470HP9501 HOSE COMP, FT brake L	1
7	09360-10039 BOLT, rear brake fluide	8
8	69460HP9501 PIPE,REAR BRAKE CENTER	1
9	69470HP9501 HOSE,REAR BRAKE MASTER	1

FIG. 47

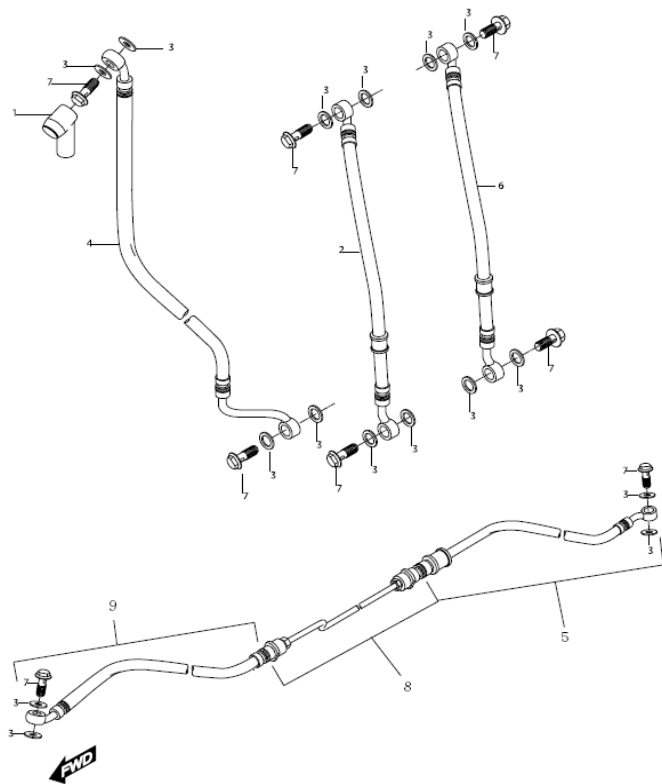


FIG. 48

REF. NO.	PART NAME	QTY	
1	61100HP9503	SWINGARM COMP, rear	1
2	09103H08608	BOLT, chain adjuster	2
3	08316-16088	NUT, chain adjuster	2
4	09169H06078	WASHER.	6
5	09106H06150	BOLT, case belt	6
6	61250HP9502	COVER, rear swingarm	1
7	61260HP9504	CAP, rear swingarm cover	1
8	61313HP9501	PLATE, belt case front	2
9	02142-06126	BOLT, cover	3
10	27600HP9500	BELT, drive (108 L)	1
11	61310HP9503	CASE, belt upper	1
12	61320HP9503	CASE, belt under	1
13	61316HP9502	PLATE, belt case rear	2

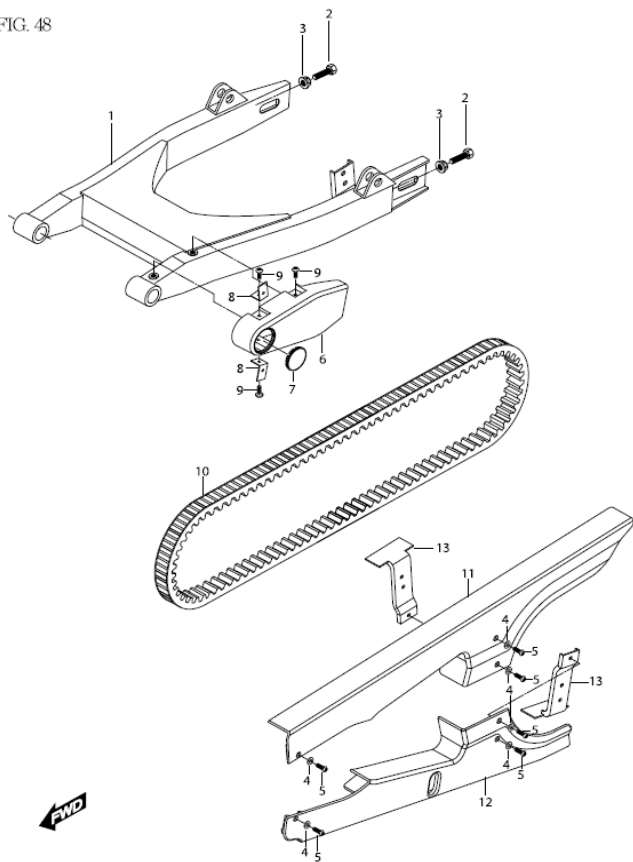


FIG. 49

REF. NO.	PART NAME	QTY
1	SHOCK ABSORBER ASSY rear	2
2	NUT, rear shock absorber upper	2
3	WASHER, rear shock absorber upper	2
4	NUT, rear shock absorber lower	2
5	BOLT, rear shock absorber lower	2

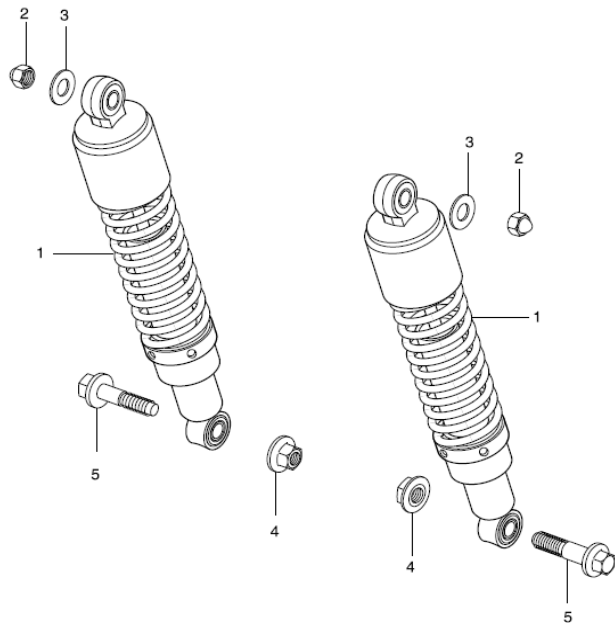


FIG. 50

REF. NO.	PART NAME	Q'TY
1	63111HP950112A FENDER, rear	1
2	35927HP9500 BRACKET, licence plate	1
	-KM4VP51A951100178	
2-1	35927H44430 BRACKET, licence plate	1
	KM4VP51A951100179-(05.08-)	
3	35970-24D63 REFLEX REFLECTOR ASS'Y, side	2
3-1	35950-30A04 REFLEX REFLECTOR ASS'Y, side	2
	KM4VP52A251100006-(05.01-)	
4	03241-04125 SCREW, rear fender lower & rear	5
5	08316-26066 NUT, licence plate bracket	4
5-1	08316-26055 NUT, licence plate bracket	4
6	35910HG5150 LAMP ASS'Y, licence plate	1
7	08316-26055 NUT, licence lamp(M5)	2
8	35915HL7300 COVER, licence lamp	2
9	08316-26055 NUT, licence lamp	2
10	35970-17303 REFLEX REFLECTOR ASS'Y, rear	1
11	01107-05605 SCREW, licence lamp	2
12	35911HG5800 LENS, license	1
13	35912HG5800 HOUSING, license	1
14	35916HG5800 CORD ASS'Y	1
15	09471-12110 BULB, license lamp(12V/5W)	1
16	63119HP9501 BRACKET, rear fender	1
17	08316-26066 NUT, rear fender brkt & tail brace seat cover	2
18	02142-05125 SCREW, rear fender	2
19	09160-06012 WASHER, rear fender bracket	2
20	02142-06165 SCREW, LICENSE PLATE	2

KM4VP51A951100179-(05.08-)

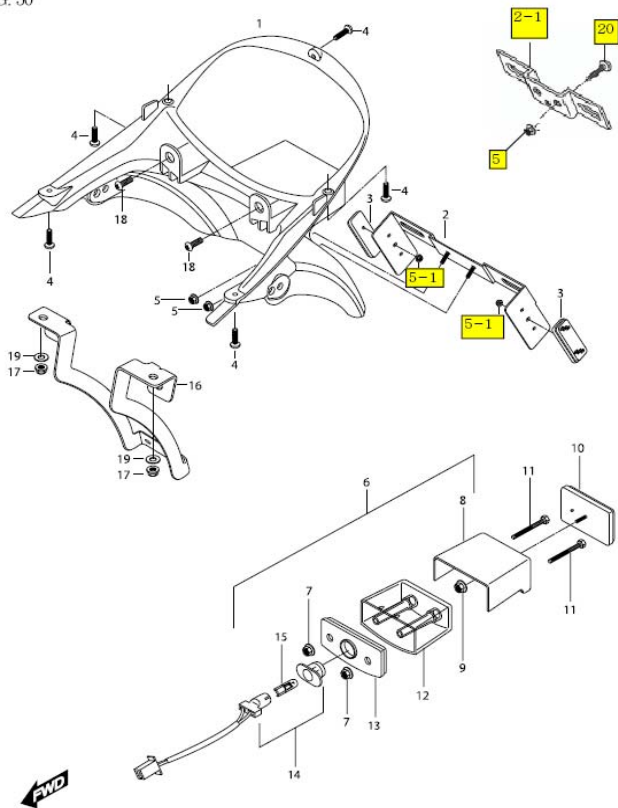
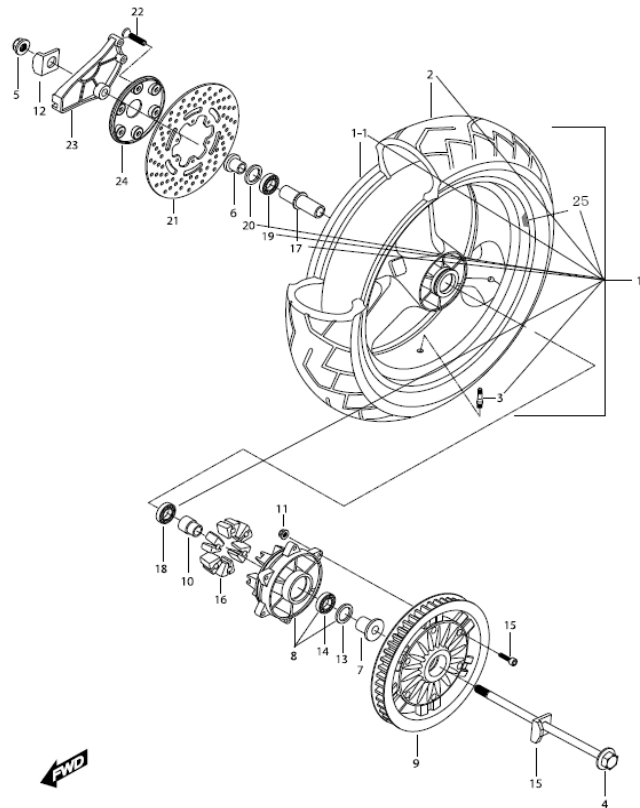


FIG. 51

REF.	PART NAME	Q'TY
NO.		
1	64150SP9500HPA	1
1-1	64150HP9501	1
2	65100HP9500	1
3	55220-41D10	1
4	64711HP9500	1
5	09159H16002	1
6	64752HP9500	1
7	64751HP9501	1
8	64611HP950103P	1
9	64510HP9502	1
10	64733HP9500	1
11	08319-31088	6
12	61411HN9100	1
13	09285-28001	1
14	08133-62047	1
15	07110-08408	6
16	64651HM8101	6
17	64730HP9500	1
18	08133-62037	1
19	08123-63037	1
20	09283-27010	1
21	69211HP9503	1
22	07120-08258	6
23	69340HP9502	1
24	59240HP9500	1
25	64162HN9100	1



REF. NO.	PART NAME	Q'TY
		1
0 69300HN9102	CALIPER ASS'Y, rear brake	1
1 07110-08358	BOLT, caliper	2
2 59301HP9500	PAD SET(8.4)	1

