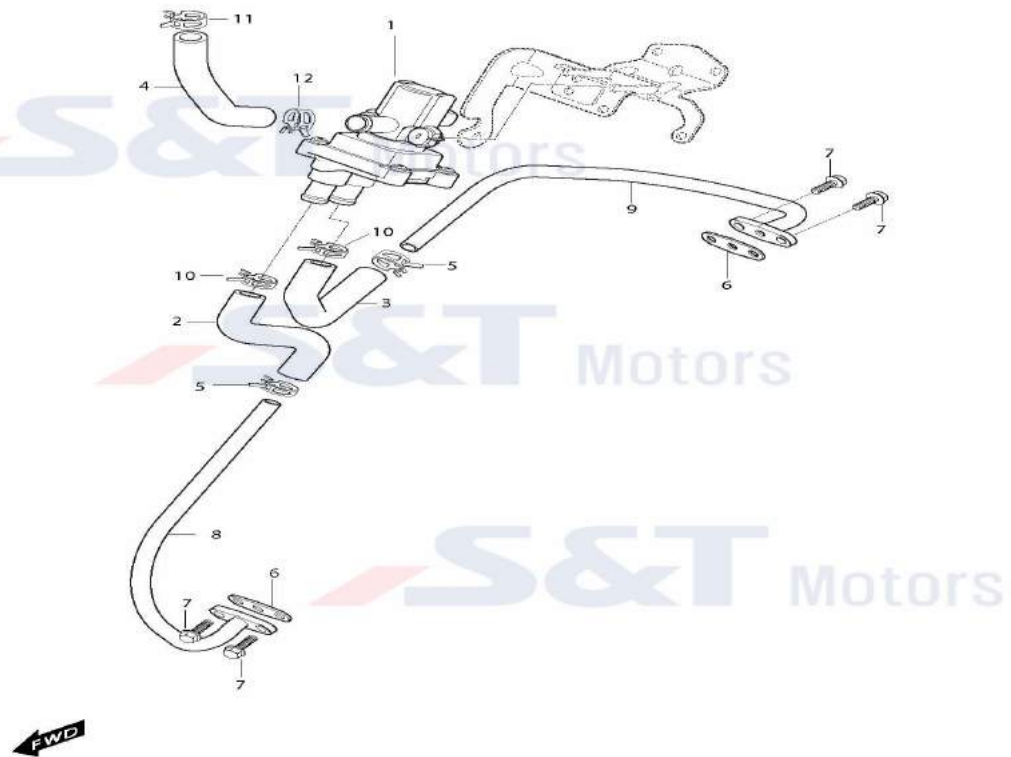
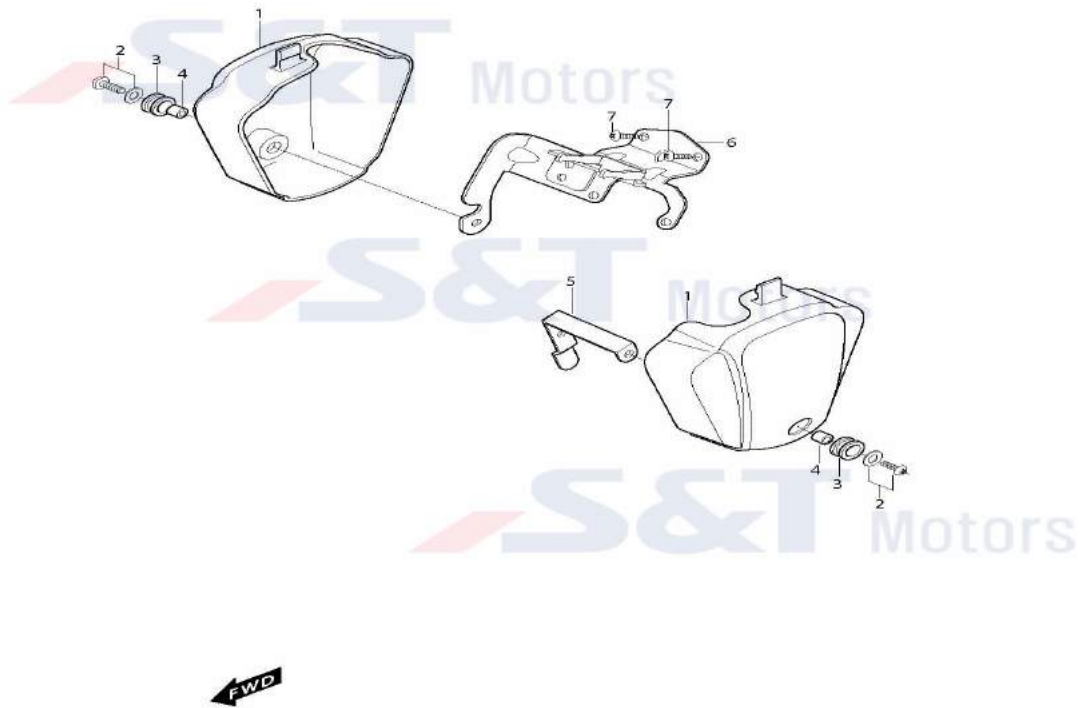


FIG.17



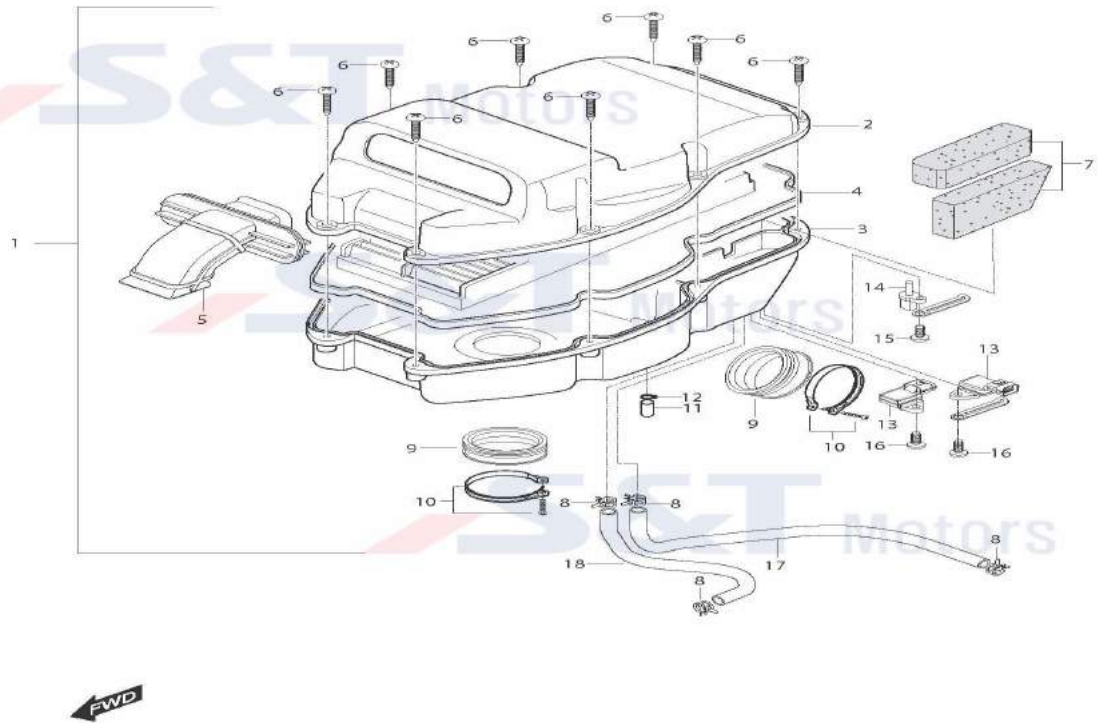
SEQ	PART CODE	PART NAME	U/S	REMARK
1	18500H89800	VALVE,2ND AIR (GV650EI)	1	
2	18631HR9800	HOSE,2ND AIR PIPE FT (GV650FI)	1	
3	18641HR9800	HOSE,2ND AIR PIPE RR (GV650FI)	1	
4	18751HP9300	HOSE,2ND AIR CLEANER (GV650FI)	1	
5	09401H15401	CLAMP,2ND AIR PIPE (GV650FI)	2	
6	18615HN9101	GASKET,2ND AIR REAR (GT650)	2	
7	09128-06005	BOLT,FUEL COCK	4	
8	18610HP9501	PIPE COMP,2ND AIR FRONT(GV650)	1	
9	18620HP9501	PIPE COMP,2ND AIR REAR (GV650)	1	
10	09401H16401	CLAMP,2ND AIR VALVE HOSE (SF50)	2	
11	09401H18401	CLIP,2ND AIR VALVE (SF50R)	1	
12	09401H16401	CLAMP,2ND AIR VALVE HOSE (SF50)	1	

FIG.17-1



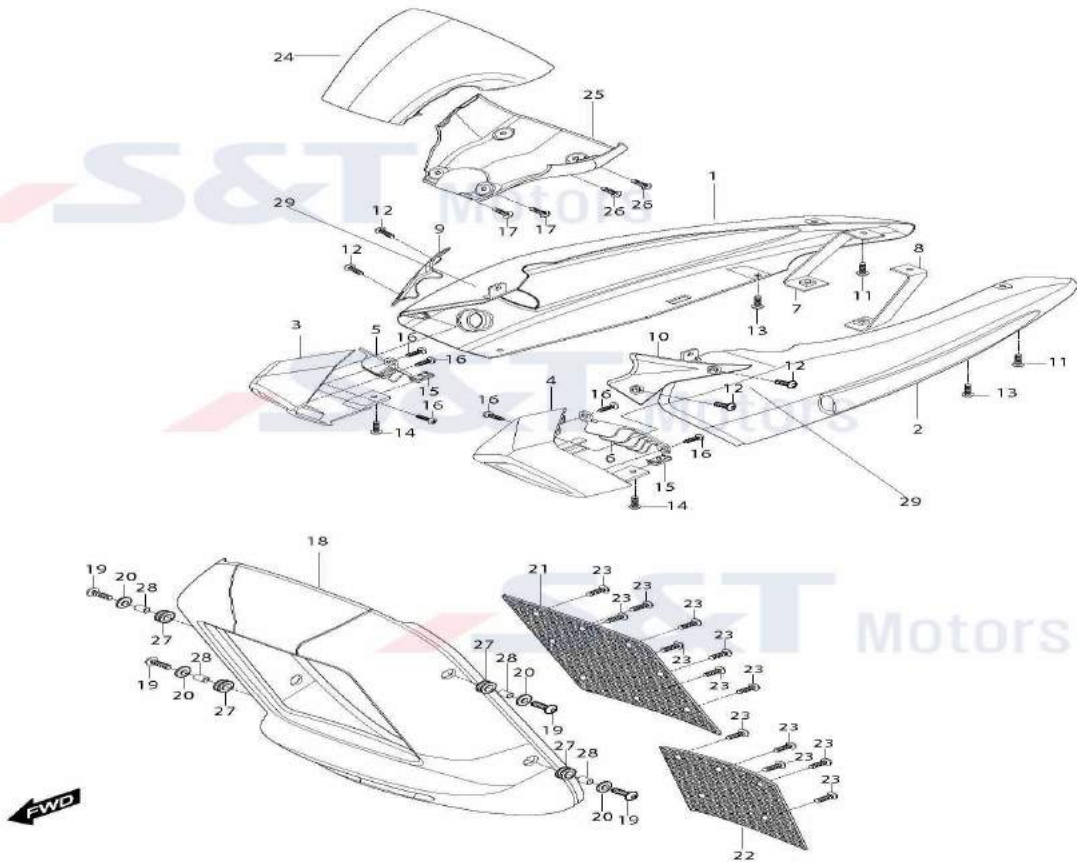
SEQ	PART CODE	PART NAME	U/S	REMARK
1	18581HP9500125	COVER,DECORATION (GV650P)	2	
2	09136-06022	SCREW,COWLING	2	
3	09320-09016	CUSHION,TOOL HOLDER	2	
4	09180-06114	SPACER BODY COWLING FITT(GSX)	2	
5	18490HP9500	BRACKET,DECORATION COV L(GV650)	1	
6	18590HR9800	BRACKET,2ND AIR VALVE (GV650FI)	1	
7	01547-06148	BOLT,BRACKET PILLION (GA)	2	

FIG.12



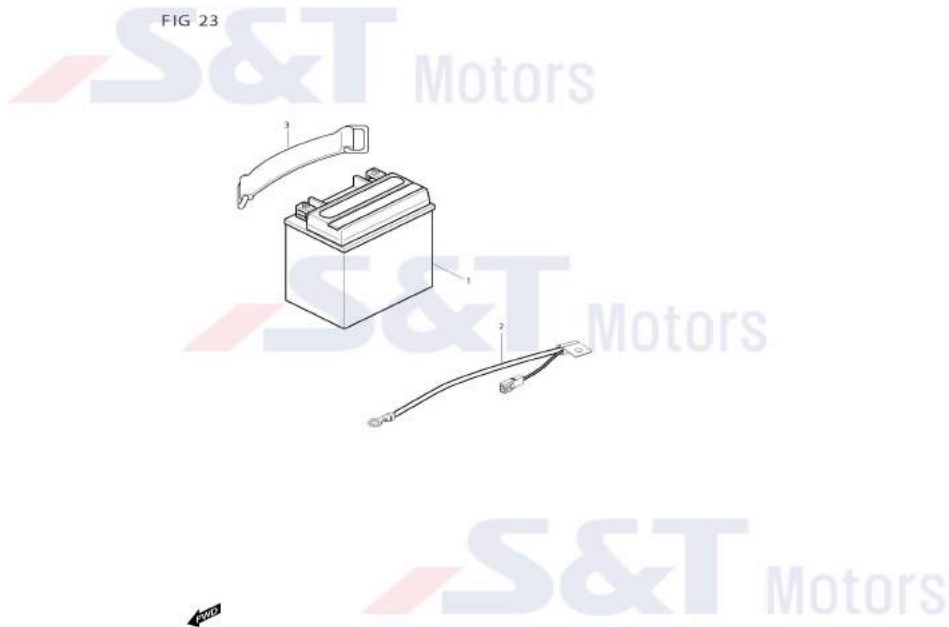
SEQ	PART CODE	PART NAME	U/S	REMARK
1	13700H89802	CLEANER ASS'Y,AIR (GV650EI)	1	
1-1	13700HB9500	CLEANER ASS'Y,AIR (GV650P)	1	*DELPHI
4	13780HR9800	FILTER,AIR CLEANER (GV650FI)	1	
6	03241-05255	SCREW,TAPPING (SF)	8	
7	16881HR9800	FILTER,OIL RETURN (GV650FI)	1	
8	09401H16401	CLAMP,2ND AIR VALVE HOSE (SF50	4	
10	09402-56208	CLAMP,OUTLET TUBE	2	
11	13895HF4500	PLUG	1	
12	09401-14301	CLIP	1	
13	37920H89300	SENSOR,INTAKE AIR PRESSURE(GT	2	
14	37930H89300	SENSOR,INTAKE A/TEMPERATURE(GT	1	
15	03241-05125	SCREW LOWER COVER CENT (EZ,	1	
16	03241-05255	SCREW,TAPPING (SF)	2	
17	16831HR9800	HOSE,BREATHER OIL NO.2(GV650FI	1	
18	16821HR9800	HOSE,BREATHER O/RETURN NO1(GT)	1	
19	13970H89800	BRACKET,IAP SENSOR (GV650EI)	2	
19-1	13970H99D00	BRACKET, IAP SENSOR (GV700C)	1	*DELPHI

FIG 36



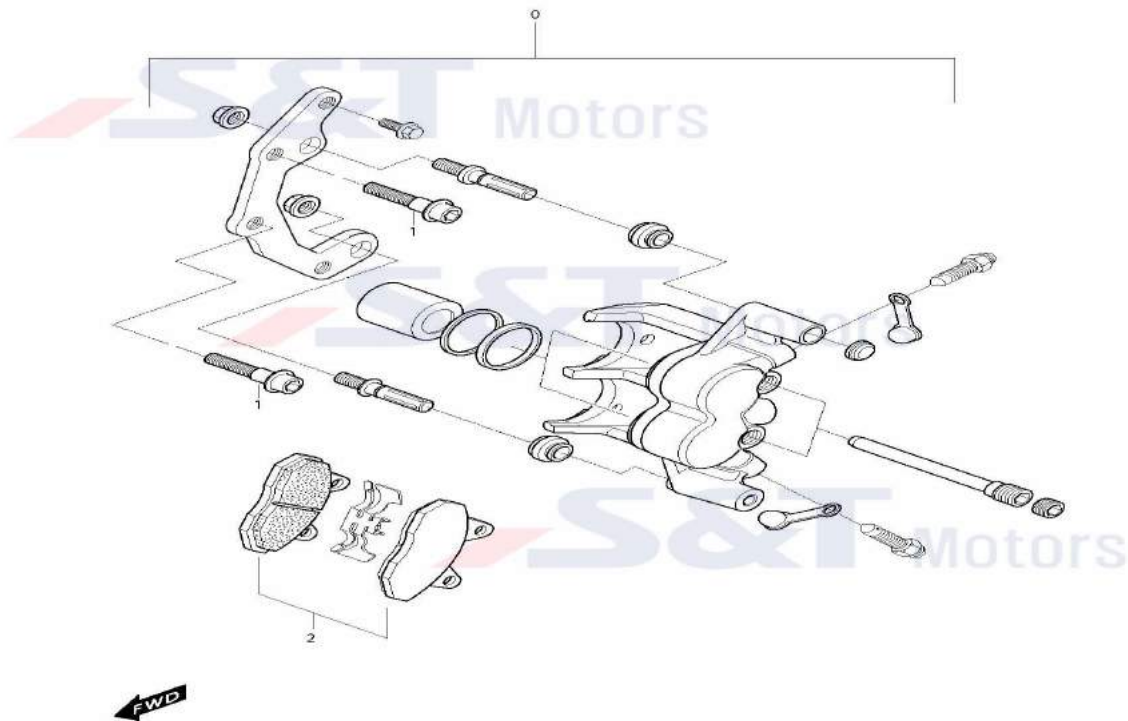
SEQ	PART CODE	PART NAME	U/S	REMARK
1	94665HP9503T25	COVER,A/DUCT REAR R (GV650P)	1	
1-1	94665HP9503	COVER,A/DUCT REAR R (GV650)	1	M/C COLOR:PR,ST
2	94666HP9504T25	COVER,A/DUCT REAR L (GV650P)	1	M/C COLOR:SBK
2-1	94666HP9504	COVER,A/DUCT REAR L (GV650)	1	M/C COLOR:PR,ST
3	94661HP9501125	COVER,AIR DUCT FRONT R(GV650P)	1	M/C COLOR:SBK
3-1	94661HP9501	COVER,AIR DUCT FRONT R (GV650)	1	M/C COLOR:PR,ST
4	94662HP9501125	COVER,AIR DUCT FRONT L(GV650P)	1	M/C COLOR:SBK
4-1	94662HP9501	COVER,AIR DUCT FRONT L (GV650)	1	M/C COLOR:PR,ST
5	94667HP9501	GRILL,AIR DUCT R (GV650)	1	
6	94668HP9501	GRILL,AIR DUCT L (GV650)	1	
7	94663HP9500	PLATE,AIR DUCT REAR (GV650)	1	
8	94664HP9500	PLATE,AIR DUCT REAR L (GV650)	1	
9	47511HP9501TBK	COVER,FRONT SIDE R (GV650FI)	1	
10	47512HP9501TBK	COVER,FRONT SIDE L (GV650FI)	1	
11	02142-06166	SCREW,BATTERY HOLDER (GV)	2	
12	09106H06150	WRENCH BOLT 6*15MM (GT650)	4	
13	09106H06150	WRENCH BOLT 6*15MM (GT650)	2	
14	09106H05150	WRENCH BOLT 5*15MM	2	

15	09148-05039	NUT HEADLAMP COWLING (GSX)	2
16	03241-04128	SCREW,FRAME COVER REAR LOWER	6
17	03241-05165	TAPPING SCREW,SIDE LH (SB)	2
18	94811HP9501T25	COVER,RADIATOR (GV650P)	1
19	09106H06150	WRENCH BOLT 6*15MM (GT650)	4
20	09160-06006	WASHER	4
21	94812HP9502	GRILL,RADIATOR COV UPP (GV650)	1
22	94813HP9502	GRILL,RADIATOR COV LOW (GV650)	1
23	03241-04128	SCREW,FRAME COVER REAR LOWER	13
24	34106HP9501	CASE,SPEEDMETER FRONT (GV650)	1
24-1	34106HP9501125	CASE,S/METER FT "BLACK"(GV650)	1 MY 14 (November, 2013~)
25	34107HP9500	CASE,SPEEDMETER REAR (GV650)	1
25-1	34107HP9500125	CASE,S/METER RR"BLACK" (GV650)	1 MY 14 (November, 2013~)
26	09106H05150	WRENCH BOLT 5*15MM	2
27	09320-09016	CUSHION,TOOL HOLDER	4
28	09180-06114	SPACER BODY COWLING FITT(GSX)	4
29	68920HP9230CR	EMBLEM, EFI (GV650EI)	2



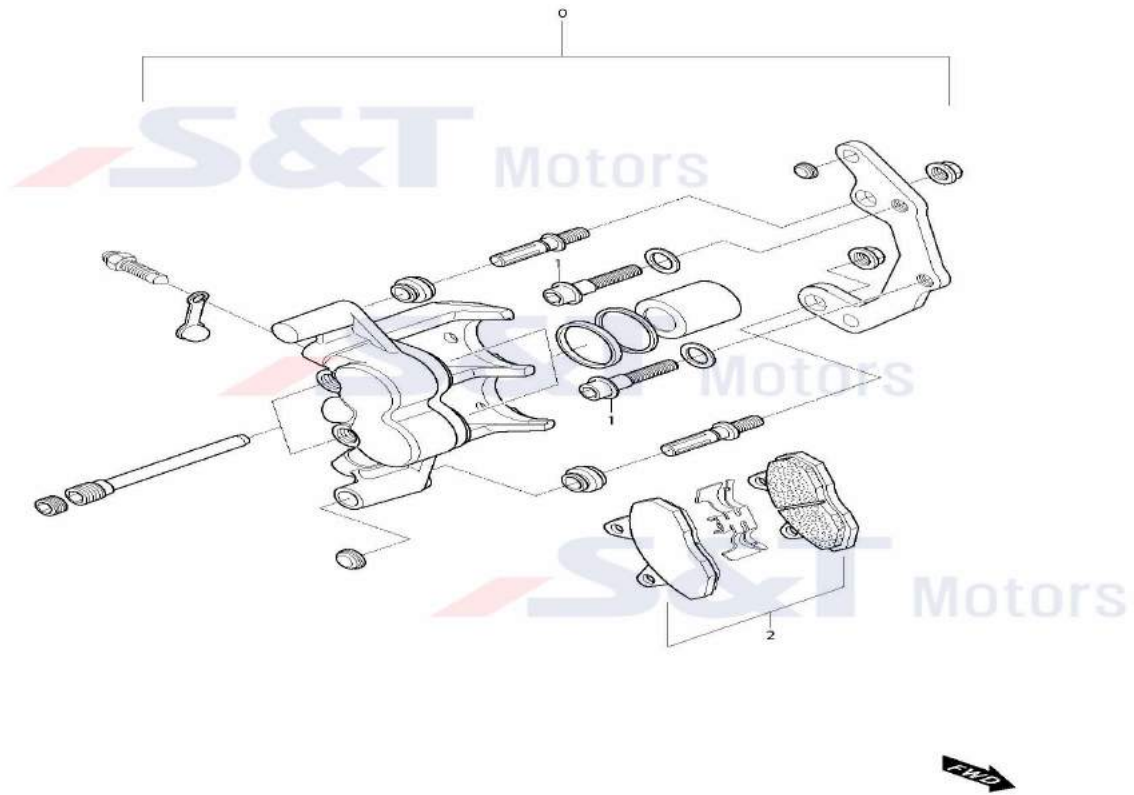
SEQ	PART CODE	PART NAME	U/S	REMARK
1	33610HM8110KOR	BATTERY ASS'Y(12V 12AH) (GT650	1	
2	33860HP9502	LEAD WIRE,BATTERY MINUS(GV650)	1	
3	09462H00009	BAND BATTERY (RX)	1	

FIG 44



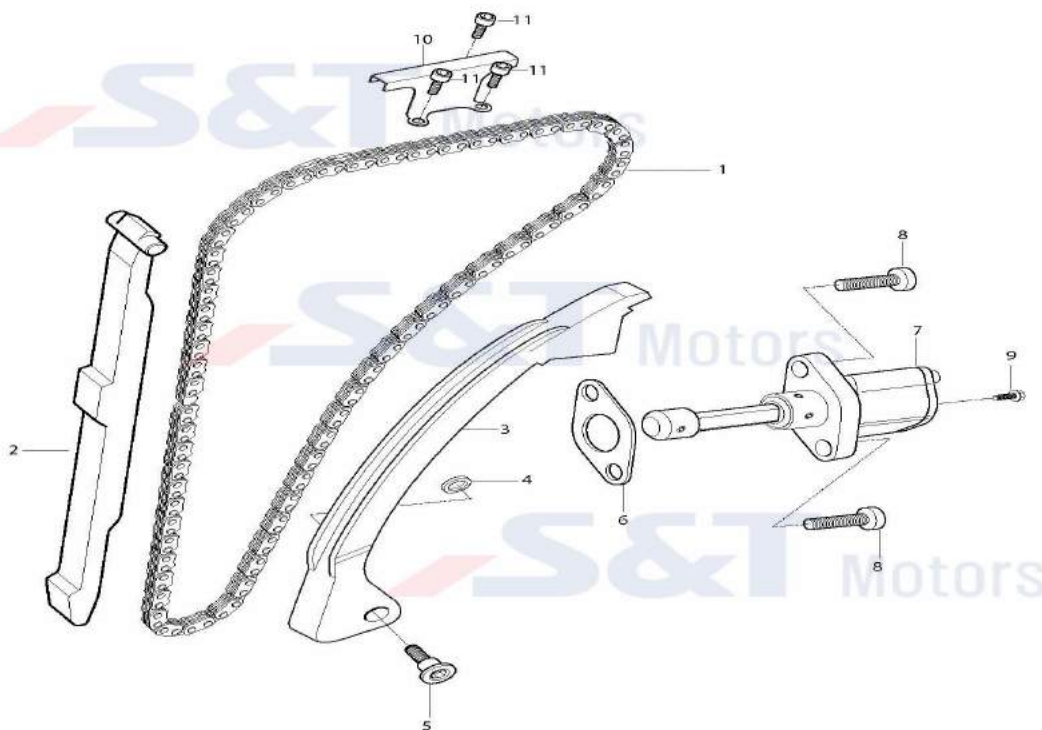
SEQ	PART CODE	PART NAME	U/S	REMARK
0	59300HN9100	CALIPER ASS'Y, L (GT650)	1	
1	07120-08308	BOLT,CALIPER (RX)	2	
2	59301HP9500	PAD SET(8.4T) (GV650)	1	

FIG.45



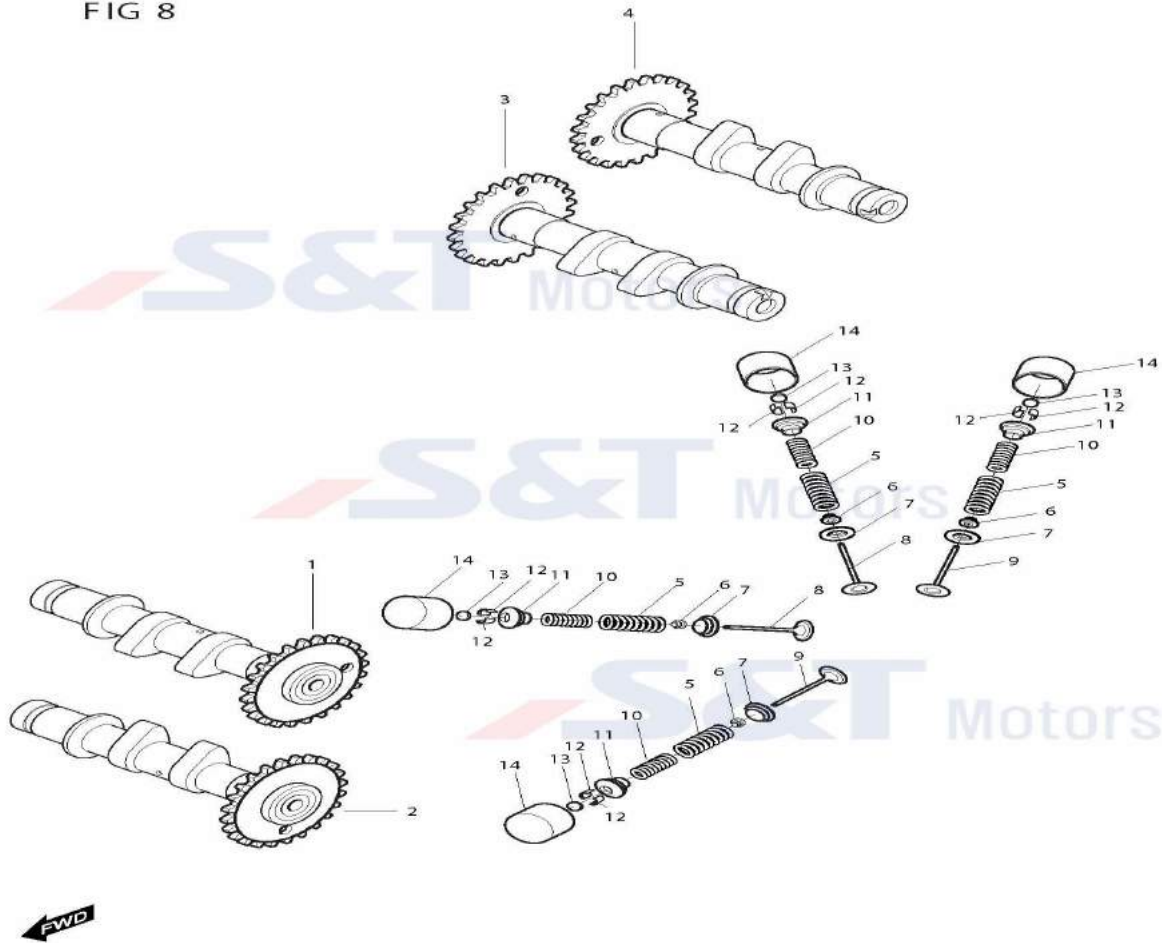
SEQ	PART CODE	PART NAME	U/S	REMARK
0	59400HN9100	CALIPER ASS'Y R (GT650)	1	
1	07120-08308	BOLT,CALIPER (RX)	2	
2	59301HP9500	PAD SET(8.4T) (GV650)	1	

FIG 9



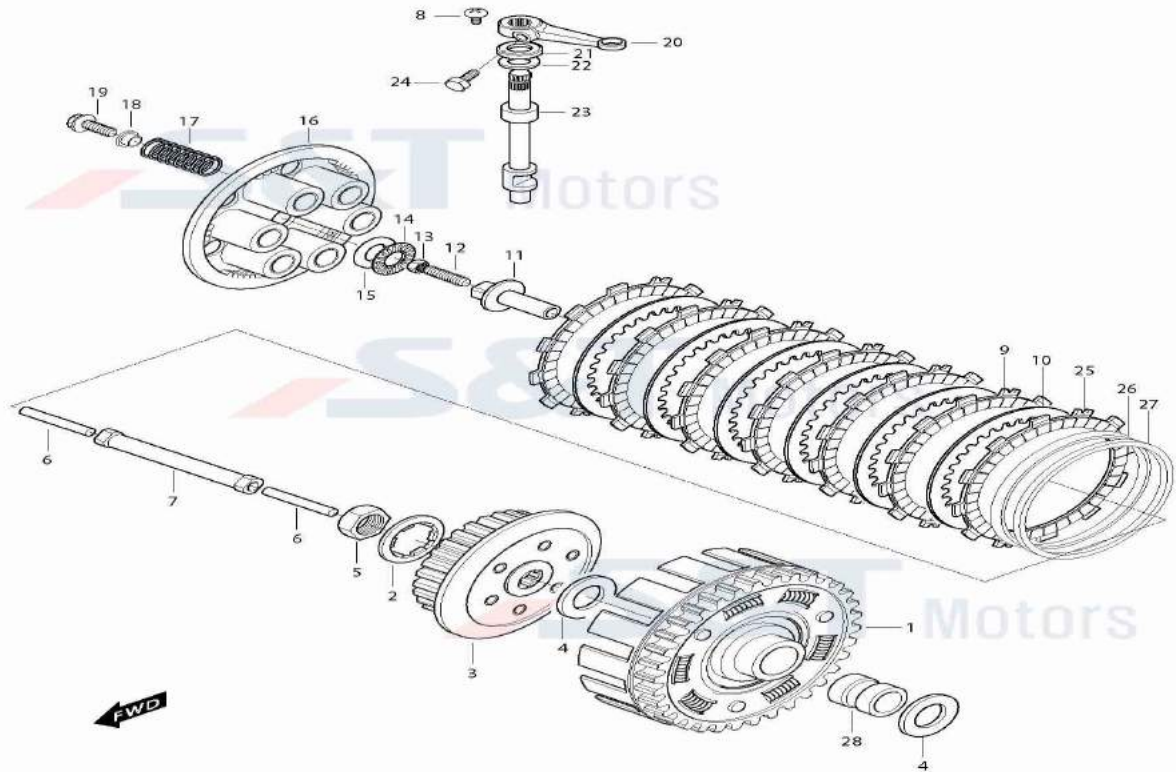
SEQ	PART CODE	PART NAME	U/S	REMARK
1	12760HN9100	CHAIN COMP,CAM SHAFT DRV(GT650	2	
2	12771HN9100	GUIDE,CAM CHAIN NO.1 (GT650)	2	
3	12811HN9101	TENSIONER,CAM CHAIN (GT650)	2	
4	08211-06181	WASHER CAMLINK TENS BOLT (GD)	2	
5	12812HN9101	BOLT,CAM CHAIN TESIONER(GT650)	2	
6	12837HP8900	GASKET,TENSIONER ADJUST(GT650)	2	
7	12830HN9120	ADJUSTER ASS'Y,TENSION (GT650)	2	
8	07110-06208	BOLT,FRONT FENDER LH (GD,GA-F)	4	
10	12782HN9100	GUIDE,CAM CHAIN NO.2 (GT650)	2	
11	07110-06108	BOLT,TAIL COVER (GV650)	6	

FIG 8



SEQ	PART CODE	PART NAME	U/S	REMARK
1	12710HN9100HPA	CAM SHAFT INTAKE FRONT (GT650	1	
2	12730HN9100HPA	CAM SHAFT EXHAUST FRONT(GT650)	1	
3	12720HN9100HPA	CAM SHAFT INTAKE REAR (GT650)	1	
4	12740HN9100HPA	CAM SHAFT EXHAUST REAR (GT650)	1	
5	12922HN9100	SPRING,VALVE OUTER (GT650	8	
6	09289H04002	SEAL,VALVE STEM OIL (GV250)	8	
7	12933HN9100	SEAT,VALVE SPRING (GT650)	8	
8	12911HN9101	VALVE,INTAKE (GT650)	4	
9	12912HN9101	VALVE,EXHAUST (GT650)	4	
10	12921HN9101	SPRING,VALVE INNER (GT650)	8	
11	12931HN9100	RETAINER,VALVE SPRING (GT650)	8	
12	12932HJ8200	COTTER,VALVE (GV250)	16	
13	12892-05C00170	SHIM TAPPET (GD)	8	120 ~ 220 SIZE
14	12881HN9100	TAPPET (GT650)	8	

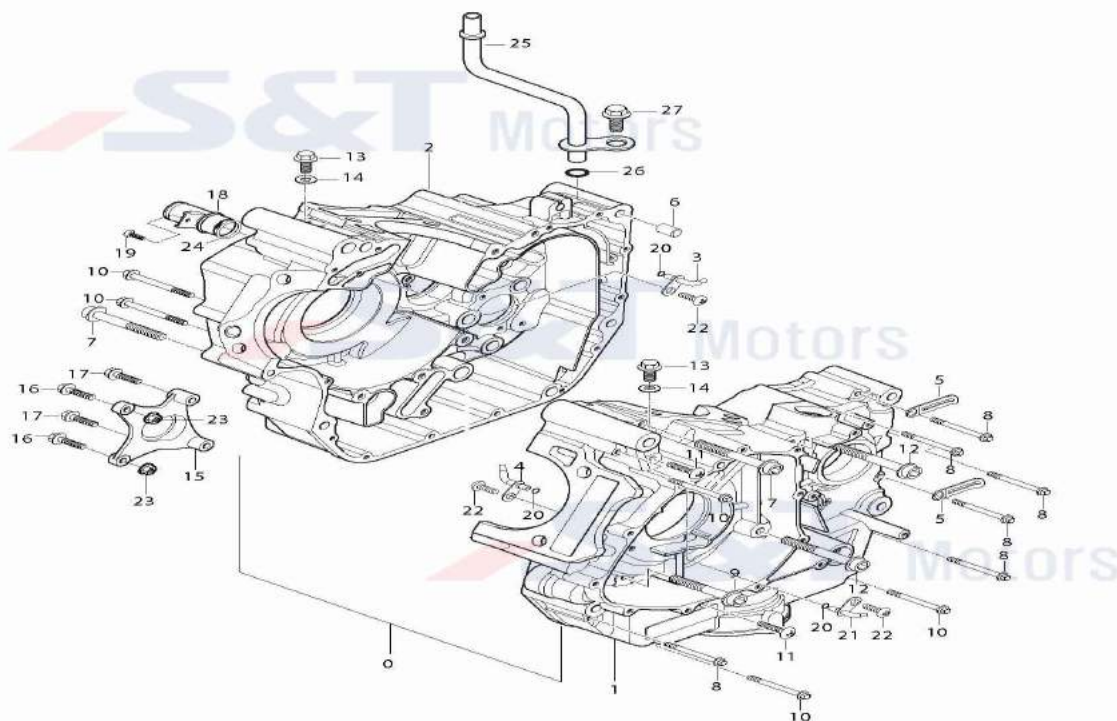
FIG 18



SEQ	PART CODE	PART NAME	U/S	REMARK
1	21210HN9101HPA	GEAR PRIMARY DRIVEN (GT650)	1	
2	09167H20001	WASHER,CLUTCH SLEEVE HUB(GT650)	1	
3	21411HN9102	HUB,CLUTCH SLEEVE (GV650)	1	
4	09160H20003	WASH,PRIMARY DRIVEN GR (GT650)	1	
5	09140H20001	NUT,CLUTCH SLEEVE HUB (GT650)	1	
6	23114HN9100	ROD,CLUTCH PUSH (GT650)	2	
7	23110HN9102	ROD COMP,CLUTCH PUSH (GT650)	1	
9	21441HN9100	PLATE,CLUTCH DRIVE (GV650)	6	
10	21451HN9100	PLATE,CLUTCH DRIVEN (GT650)	6	
11	23121-38201	PIECE CLUTCH PUSH (GD)	1	
12	09134-06010	SCREW,CLUTCH RELEASE	1	
13	08310-22068	NUT,UNIT&COIL (GV650)	1	
14	09263H15001	BEARING,CLUTCH RELEASE	1	
15	09160-15015	THRUST WASHER,CLUTCH RELEASE	1	
16	21462HN9101	DISK,CLUTCH PRESSURE (GT650)	1	
17	09440H20003	SPRING,CLUTCH (GT650)	6	
18	21471HN9102	RETAINER,CLUTCH SPRING (GT650)	6	

19	09100H06009	BOLT,CLUTCH SPRING (GT650)	6
20	23271HN9100	ARM,CLUTCH RELEASE (GT650)	1
21	09282H12002	SEAL,CLUTCH RELEASE CAM(GT650)	1
22	08211-12281	WASHER,CRANK CAS	1
23	23122HN9100	SHAFT,CLUTCH RELEASE CAM(GT650)	1
24	01107-06208	BOLT,GEAR SHIFT	1
25	21442HN9110	PLATE,CLUTCH DRIVE (GT650)	1
26	21443HN9100	WASHER,CLUTCH WAVE (GT650)	1
27	21444HN9101	SEAT,CLUTCH WAVE WASHER(GT650)	1
28	21251HN9102	SPACER,PRIMARY DRIVEN GEAR(GT6	1

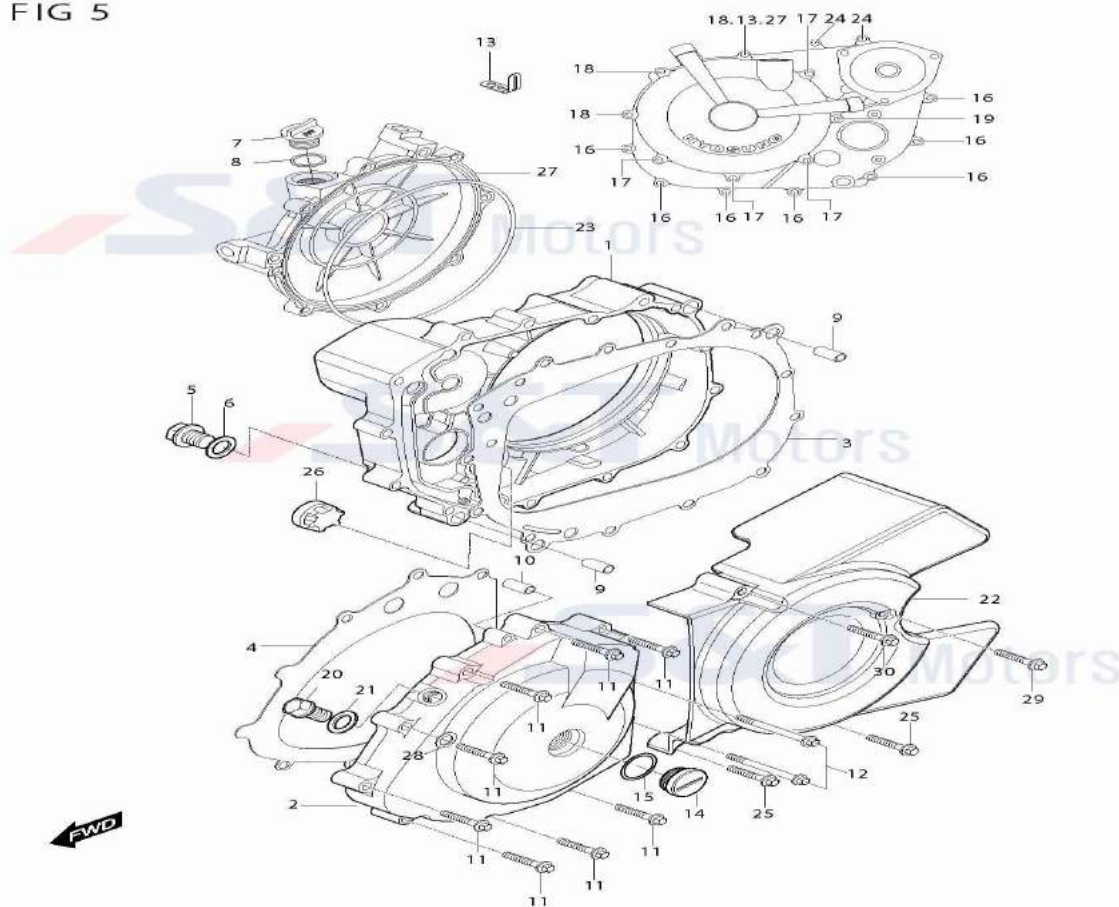
FIG 4



SEQ	PART CODE	PART NAME	U/S	REMARK
0	11300HP9511HPA	CRANK CASE ASSY (GV650)	1	
3	11430HN9100	JET COMP,PISTON REAR OIL(GT650)	1	
4	11420HN9100	JET COMP,PISTON FRONT OIL(GT650)	1	
5	09403H09304	CLAMP CLUTCH CABLE (GA)	2	
6	04213-13189	PIN,CRANK CASE (GT&GV)	2	
7	07120-08608	BOLT,CRANK CASE (GT650)	2	
8	01547-06608	BOLT,CAM SHAFT HOLDER (GA)	8	
9	07120-08708	BOLT,CRANK CASE (GT650)	2	
10	01547-06808	BOLT,CRANKCASE (GD)	5	
11	02112-06958	SCREW,CLUTCH COVER	2	
12	09103H08001	BOLT,CRANK CASE (GT650)	2	
13	01514-08128	BOLT,OIL LEVER (GV650)	2	
14	09168-08008	GASKET LEVEL (GV650)	2	
15	31135HP9500121	BRACKET,START MOTOR (GV650)	1	BLACK
16	01547-06308	BOLT,MAGNET&CLUTCH COVER (EZ)	2	
17	01547-06358	BOLT,MAGET&SPROCKET COV	2	
18	17481HN9100	UNION,WATER PUMP HOSE (GT650)	1	
19	07110-06128	BOLT,SEAT LOCKER	1	

20	09280H04001	O-RING,OIL JET (GT650)	3
21	11440HN9100	JET,STARTER CLUTCH OIL (GT650)	1
22	02112-06108	SCREW	3
23	08319-21068	NUT,BRAKE LEVER	2
24	09280H21001	O-RING,WATER PUMP UNION(GT650)	1
25	13870HP9501	PIPE,BREATHER HOSE (GV650)	1
27	09128-06054	BOLT,CYLINDER HEAD	1
28	09263H18001	BEAR'G,CLUTCH RELEASE CAN NO.1	1
29	09263H10009	BEAR'G,CLUTCH RELEASE NO.2(GT6	1

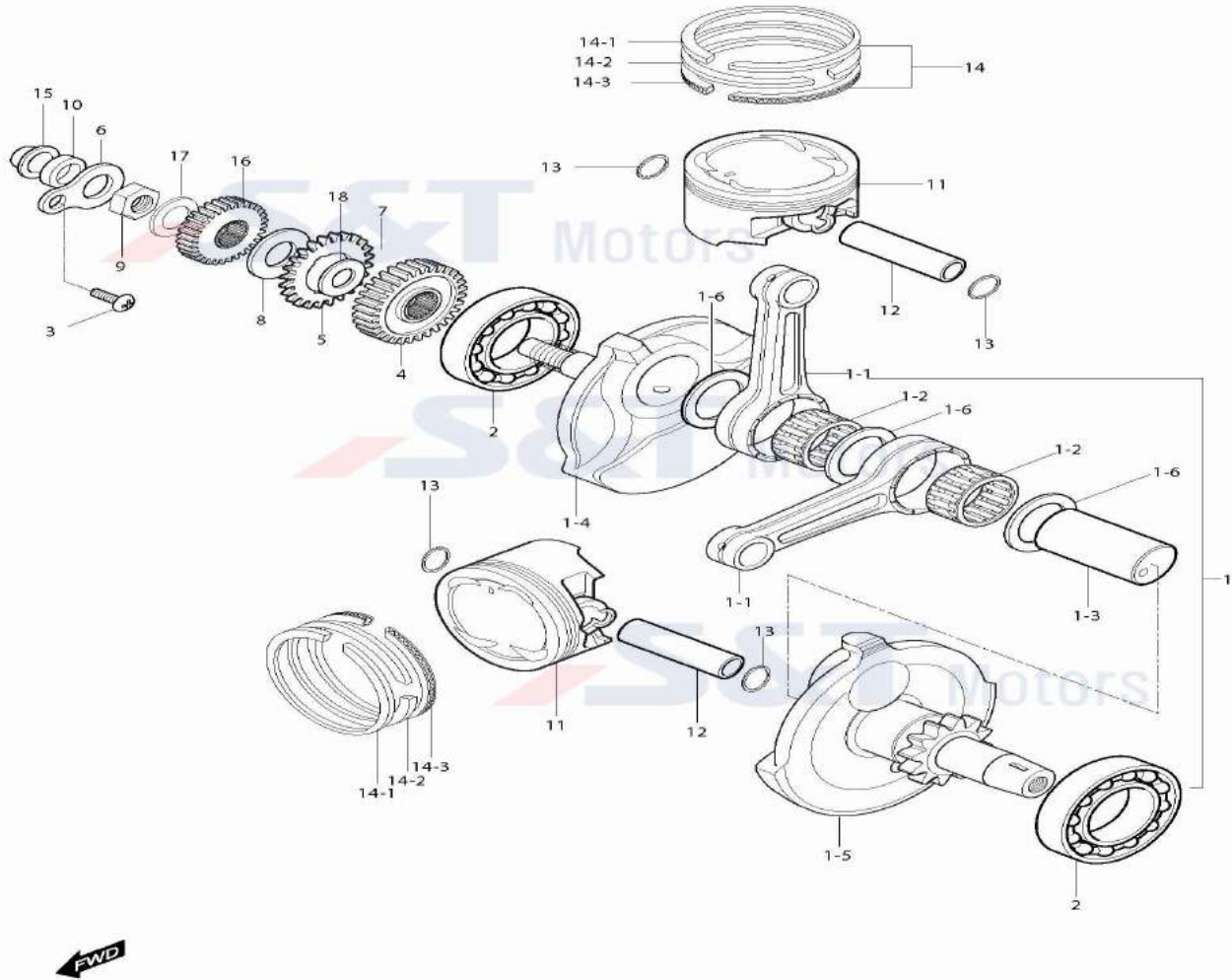
FIG 5



SEQ	PART CODE	PART NAME	U/S	REMARK
1	11331HN9120HPA	COVER,CLUTCH ASSY (GT650)	1	=11331SN9110HPA
1-1	11331HN9103SPA	COVER CLUTCH ASSY (ST7)	1	CR
1-2	11331HN9103SPA	COVER CLUTCH ASSY (ST7)	1	CR
2	11351HN9120121	COVER,MAGNETO 30□□(GV650)	1	BK
2-1	11351HN91200BF	COVER,MAGNETO (GV650)	1	PR, ST
3	11481HN9101	GASKET,CLUTCH COVER (GT650)	1	
4	11483HN9101	GASKET,MAGNETO COVER (GT650)	1	
5	09247-14026	PLUG,BOLT	1	
6	09168H14003	GASKET,OIL CHECK PLUG (SB)	1	
7	09259-20012121	PLUG,ENGINE OIL FILTER (GD)	1	
7-1	09259-20009CR	PLUG,ENGINE OIL FILTER (GV650)	1	PR, ST
7-2	09259-20012121	PLUG,ENGINE OIL FILTER (GD)	1	MY 14 (November, 2013~)
8	09280-22008	O/RING,CRANK SHAFT HOLE PL	1	
9	04213-13189	PIN,CRANK CASE (GT&GV)	2	
10	04213-09129	PIN,MAGNETO COVER	1	
11	01547-06358	BOLT,MAGET&SPROCKET COV	8	
12	01547-06558	BOLT,CRANK CASE	2	
13	09403H09304	CLAMP CLUTCH CABLE (GA)	1	

14	09259-26015121	PLUG,CRANK SHAFT HOLE□□(TN	1 BK
14-1	09259-26015CR	PLUG,CRANK SHAFT HOLE (GV650)	1 PR, ST
15	09280-22008	O/RING,CRANK SHAFT HOLE PL	1
16	01547-06358	BOLT,MAGET&SPROCKET COV	9
17	01547-06258	BOLT,INTAKE HEAD (GV650)	4
18	01547-06708	BOLT,MAGNETO COVER (GV250)	3
19	01547-06508	BOLT,MAGNETO COVER	1
20	09247H12102	PLUG,T D C	1
21	09168H12003	GASKET,TDC PLUG (SB)	1
22	11361HP9503121	COVER, ENGINE PULLEY (GV650P)	1 BK
22-1	11361HP9503	COVER,ENGINE SPROCKET (GV700C)	1 PR, ST
23	11482HN9100	O-RING,CLUTCH OUTER COV(GT650)	1
24	01547-06408	BOLT,MAGNET COVER (GV650)	1
25	01547-06258	BOLT,INTAKE HEAD (GV650)	3
26	11332HN9100	LENS,OIL LEVER CHECK (GT650)	1
27	11341HN9103121	COVER,CLUTCH OUTER (GT650)	1 =11341HN9110HPA
27-1	11341HN91030BF	COVER,CLUTCH OUTER (GV650)	1
28	09168H06019	GASKET,OIL GALLEY BOLT (GV)	1
29	08321-31068	LOCK WASHER	1

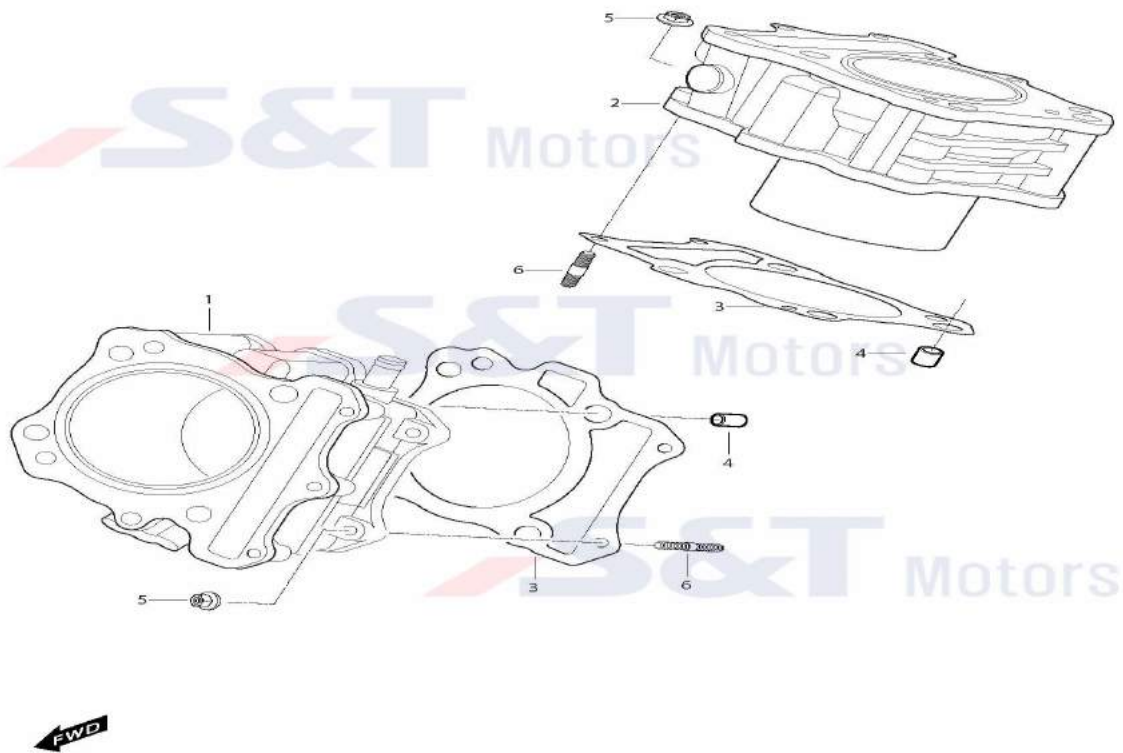
FIG 6



SEQ	PART CODE	PART NAME	U/S	REMARK
1	12200HN9100HPA	CRANK SHAFT ASS'Y (GT650)	1	
1-1	12161HN9101	ROD,CONNECTING (GT650)	1	
1-2	09263H37001	BEARING,CRANK PIN (GT650)	1	
1-3	12211HN9100HPA	PIN COMP,CRANK (GT650)	1	=>ADD □ BALL(PLUG) 2EA
1-4	12221HN9102CSA	CRANK SHAFT R (GT650)	1	
1-5	12261HN9102CSA	CRANK SHAFT L (GT650)	1	
2	09262H35001	BEARING,CRANKSHAFT (GV,GT)	2	
3	02112-06126	SCREW,THROTTLE	2	
4	21111HN9100	GEAR,PRIMARY DRIVE (GT650)	1	
5	21112HN9100	GEAR,PRIMARY DRIVE NO.2(GT650)	1	
6	12281HN9100	RETAINER,CRANK SHAFT OIL(GT650)	1	
7	21114-35C00	SPRING PRIARY DRIVE GEAR(GSX)	3	
8	08211-22422	WASHER,PRIMARY DRIVE GEAR(GT65)	1	
9	09140H18001	NUT,WATER PUMP DRIVE GEAR(GT65)	1	
10	09282-12001	OIL SEAL,CRANK SHAFT RH	1	
11	12111HN9101	PISTON COMP (GT650)	2	
12	12151HN9101	PIN,PISTON (GT650)	2	

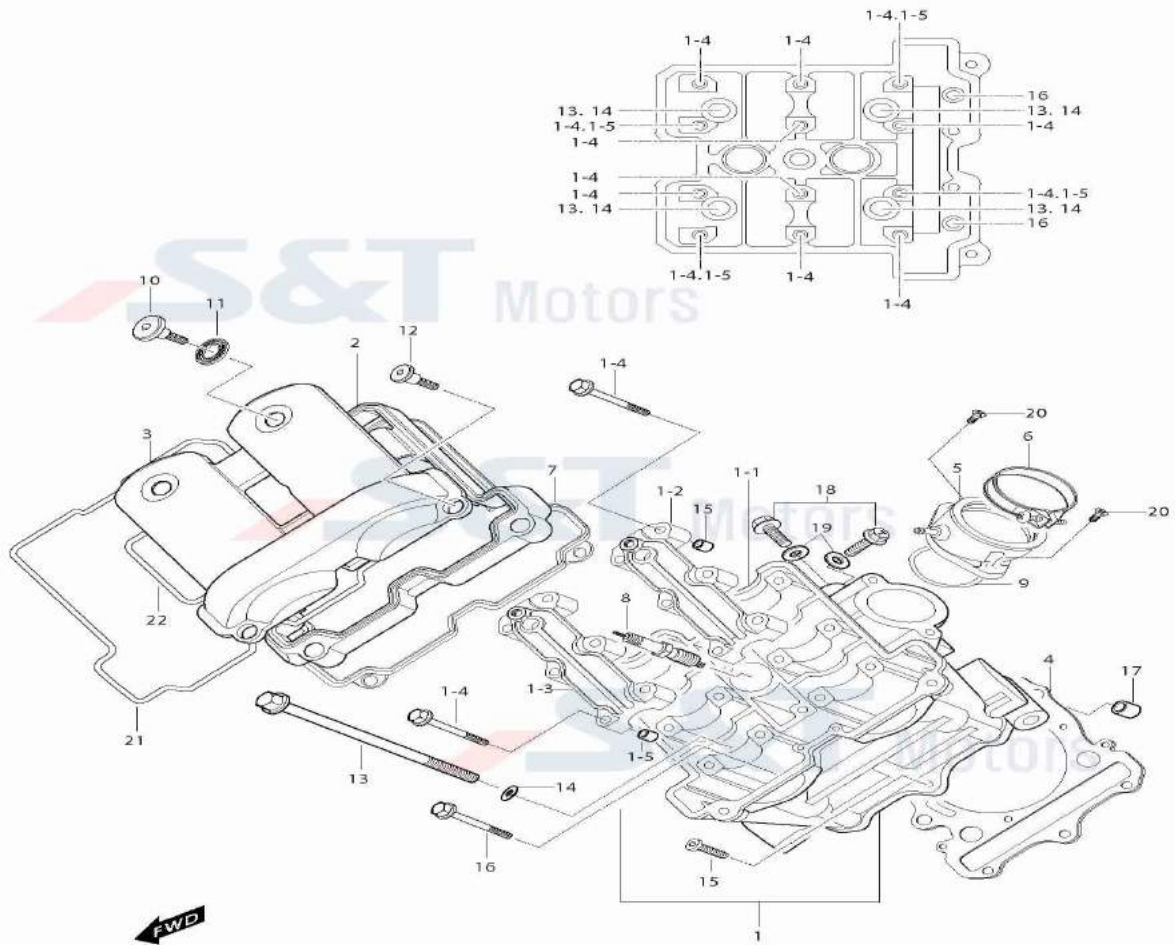
13	09381H20001	CIRCLIP,PISTON PIN (GT650)	4
14	12140HN9100	RING SET (GT650)	2
14-1	12141HN9100	PISTON RING,1ST (GT650)	2
14-2	12142HN9100	PISTON RING,2ND (GT650)	2
14-3	12144HN9100	PISTON RING,OIL (GT650)	2
15	12291HN9100	JET,CRANK SHAFT R (GT650)	1
16	17511HN9103	GEAR,WATER PUMP DRIVE (GT650)	1

FIG 2



SEQ	PART CODE	PART NAME	U/S	REMARK
1	11210HN9110HPA	CYLINDER COMP,FT□□ (GV650)	1	
1-1	11210H99D00HPA	CYLINDER ASSY,FRONT	1	
2	11220HN9110HPA	CYLINDER COMP,RR□□ (GV650)	1	
2-1	11220H99D00121	CYLINDER COMP,REAR (GV700C)	1	=11220H99D00PCY
3	11241HN9101	GASKET,CYLINDER (GT650)	2	
4	04213-13189	PIN,CRANK CASE (GT&GV)	4	
5	08316-16068	NUT (GV650)	4	
6	01421-06258	STUD BOLT CYLINDER (GA)	4	

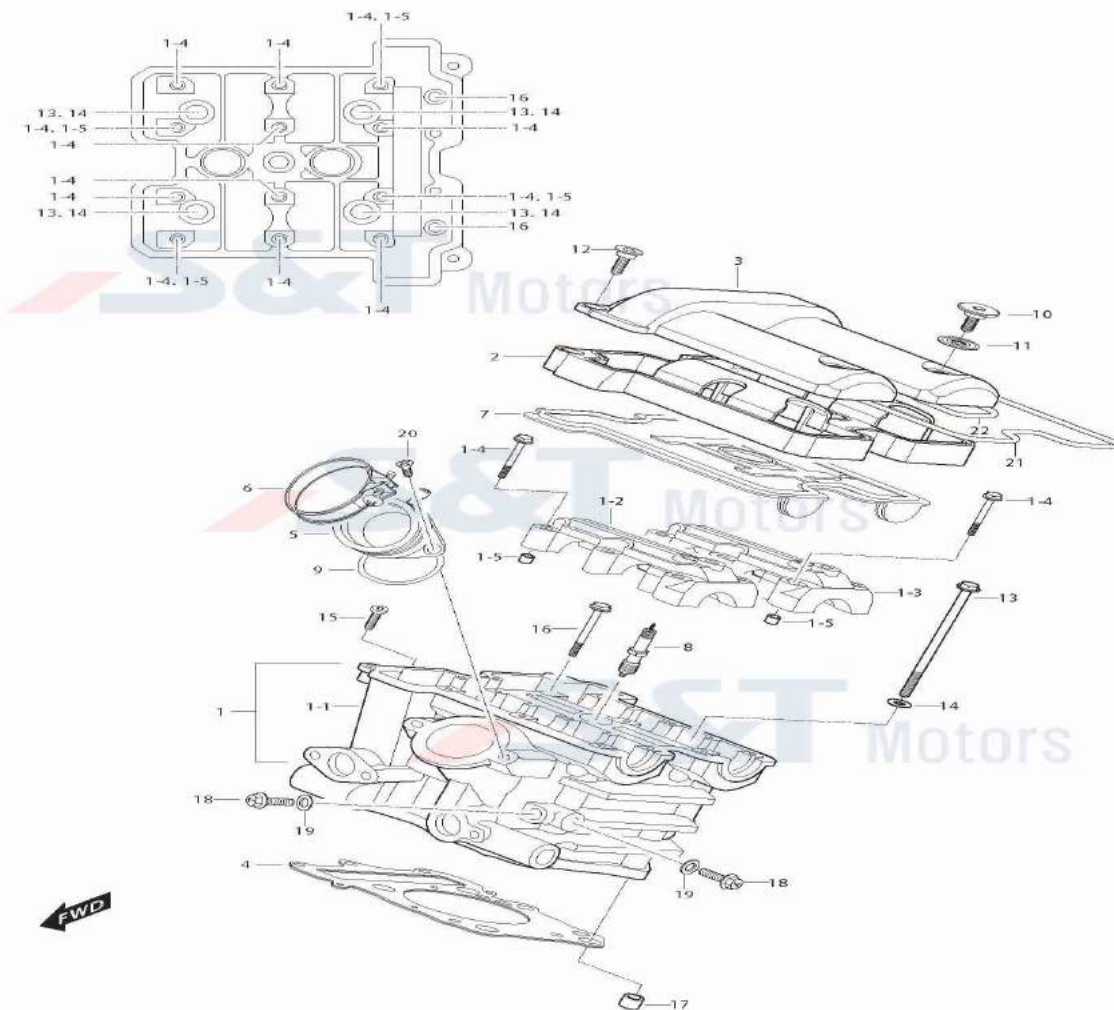
FIG 1-1



SEQ	PART CODE	PART NAME	U/S	REMARK
1	11110SN9110HPA	HEAD,CYLINDER FT□□ (GV650)	1	
1-2	11131HN9100	HOUSING CAM SHAFT IN (GT650)	1	==>CYLINDER HEAD ASS'Y
1-3	11132HN9100	HOUSING CAM SHAFT EXHAUST(GT65)	1	==>CYLINDER HEAD ASS'Y
1-4	09103H06002	BOLT,CAM SHAFT HOUSING (GT65)	12	
1-5	09206-08001	PIN,MAGNET COVER (GT&GV)	4	
2	11171HP9502121	COVER,CYL HEAD LOWER (GV650)	1	
3	11172HP9502121	COVER,CYLINDER HEAD UPP(GV650)	1	
4	11141HN9101	GASKET,CYL HEAD (GT650)	1	
5	13110HP9300	PIPE,INTAKE FRONT (GT650FI)	1	
6	09402-62208	CLAMP,AIR CLEANER (GD)	1	
7	11173HN9100	GASKET,CYLINDER HEAD COV(GT650)	1	
8	09482-00456HAS	SPARK PLUG(CR8E)	1	
9	13131HN9100	O-RING,INTAKE PIPE (GT650)	1	
10	09106-07009	BOLT CYL/HEAD COVER L5.5	2	
11	09161H11008	WASHER,CYLINDER HEAD COVER(GD)	2	
12	09106H07018	BOLT,CYL HEAD COVER (GV650)	2	
13	09103H10001	BOLT,CYLINDER HEAD (GT650)	4	

14	09160H10002	WASHER,CYL HEAD BOLT (GT650)	4
15	07120-06408	BOLT,GEAR BOX COVER (GPS)	1
16	09103H06001	BOLT,CYL HEAD NO.2 (GT650)	2
17	04213-13189	PIN,CRANK CASE (GT&GV)	2
18	01514-08128	BOLT,OIL LEVER (GV650)	2
19	09168-08008	GASKET LEVEL (GV650)	2
20	02122-06208	SCREW,CRANK OUTER	2
21	11181HP9500	O-RING,C/HEAD LOW COV NO.1	1
22	11182HP9500	O-RING,CYL HEAD LOW COV NO.2	1

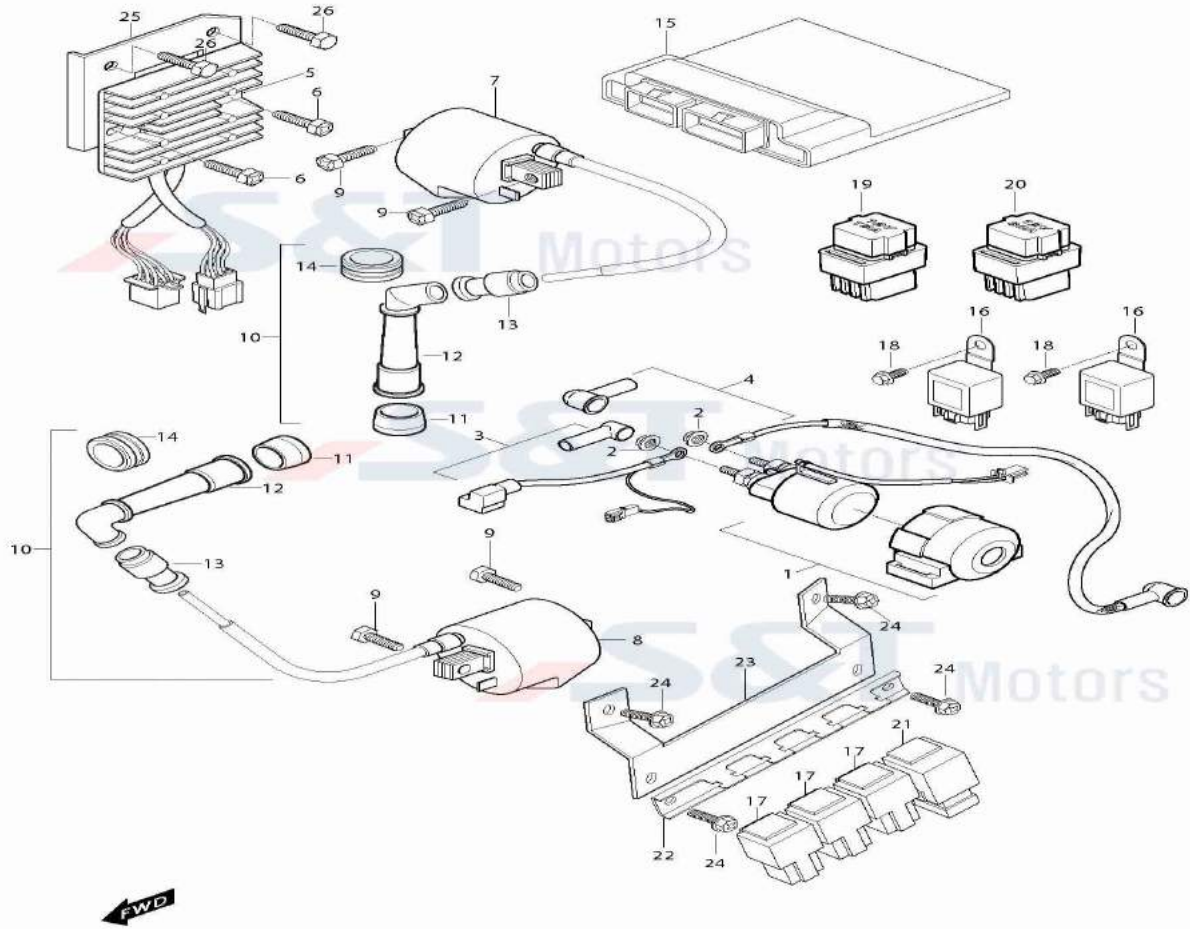
FIG 1-2



SEQ	PART CODE	PART NAME	U/S	REMARK
1	11120SP9510HPA	HEAD CYLINDER RR□□ (GV650)	1	
1-2	11131HN9100	HOUSING CAM SHAFT IN (GT650)	1	==>CYLINDER HEAD ASS'Y
1-3	11132HN9100	HOUSING CAM SHAFT EXHAUST(GT65)	1	==>CYLINDER HEAD ASS'Y
1-4	09103H06002	BOLT,CAM SHAFT HOUSING (GT65)	12	
1-5	09206-08001	PIN,MAGNET COVER (GT&GV)	4	
2	11171HP9502121	COVER,CYL HEAD LOWER (GV650)	1	
3	11172HP9502121	COVER,CYLINDER HEAD UPP(GV650)	1	
4	11141HN9101	GASKET,CYL HEAD (GT650)	1	
5	13120HP9300	PIPE,INTAKE REAR (GT650FI)	1	
6	09402-62208	CLAMP,AIR CLEANER (GD)	1	
7	11173HN9100	GASKET,CYLINDER HEAD COV(GT650)	1	
8	09482-00456HAS	SPARK PLUG(CR8E)	1	
9	13131HN9100	O-RING,INTAKE PIPE (GT650)	1	
10	09106H07018	BOLT,CYL HEAD COVER (GV650)	2	
11	09161H11008	WASHER,CYLINDER HEAD COVER(GD)	2	
12	09106H07018	BOLT,CYL HEAD COVER (GV650)	2	
13	09103H10001	BOLT,CYLINDER HEAD (GT650)	4	

14	09160H10002	WASHER,CYL HEAD BOLT (GT650)	4
15	07120-06408	BOLT,GEAR BOX COVER (GPS)	1
16	09103H06001	BOLT,CYL HEAD NO.2 (GT650)	2
17	04213-13189	PIN,CRANK CASE (GT&GV)	2
18	01514-08128	BOLT,OIL LEVER (GV650)	2
19	09168-08008	GASKET LEVEL (GV650)	2
20	02122-06208	SCREW,CRANK OUTER	2
21	11181HP9500	O-RING,C/HEAD LOW COV NO.1	1
22	11182HP9500	O-RING,CYL HEAD LOW COV NO.2	1

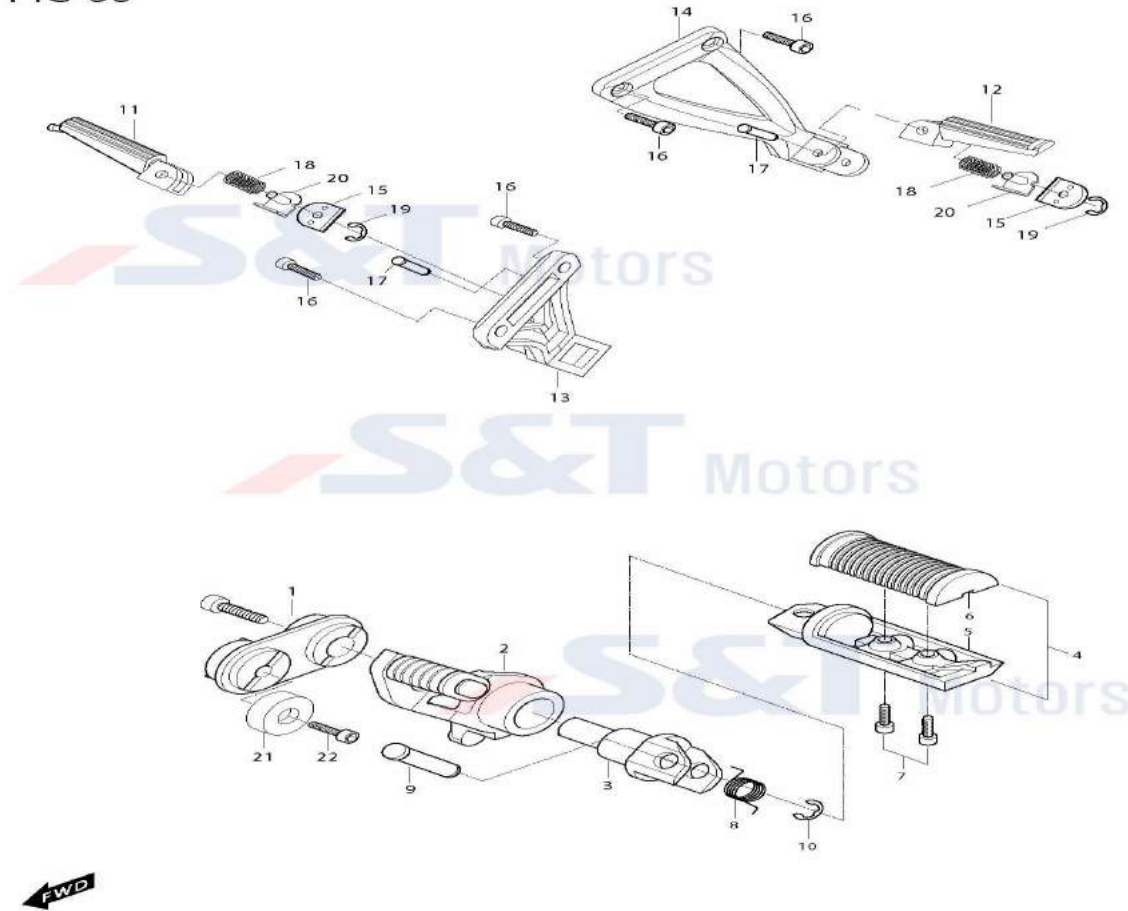
FIG 24



SEQ	PART CODE	PART NAME	U/S	REMARK
1	31800HG5100	RELAY ASSY'STARTING MOTOR (GV)	1	
2	08316-26066	NUT,REAR COMBI LAMP	2	
3	33840HP9502	LEAD WIRE,BATTERY PLUS (GV650)	1	
4	33860HP9502	LEAD WIRE,BATTERY MINUS(GV650)	1	
5	32800HP9300	RECTIFIER REGULATOR ASSY(GV650)	1	=>32800HN9110 + 01517-06166(USAGE:2)
5-1	32800HN9110	RECTIFIER REGULATOR ASSY(GT650)	1	[2012/10/18]
5-2	32800HN9120	RECTIFIER REGULATOR ASSY(GT650)	1	Must Replace with 32100H99D02 Magneto Assy
6	01517-06166	BOLT,STEERING LOCK (GV)	1	
6-1	09139H06016	SCREW,STEERING LOCK NO.2 (GPS)	1	
7	33410HN9120	IGNITION COIL (GV250FI)	1	=33410HP9310(Length difference)
7-1	33410H98A00	COIL ASSY,IGNITION (MS3)	2	*DELPHI
8	33430HP9310	IGNITION COIL REAR (GT650FI)	1	
9	09128-06035	BOLT,FUEL COCK	4	
9-1	01547-06358	BOLT,MAGET&SPROCKET COV	4	=/=09128-06035
10	33500HP9512	CAP ASSY,SPARK PLUG (GV650)	1	
15	32900H89810	ENGINE CONTROL UNIT (GV650EI)	1	

15-1	32900HB9500	ENGINE CONTROL UNIT (GV650P)	1
16	38740HM5401	RELAY ASS'Y (GT650)	2
17	38740HP7600	RELAY ASS'Y,12V 30A (GV650FI)	3
18	01517-06166	BOLT,STEERING LOCK (GV)	2
19	36740-35C00	BOX ASS'Y FUSE(15A) (GSX)	1
20	36740HN9100	BOX ASS'Y,FUSE(30A) (GT650)	1
21	38610HR9700	RELAY,TURN SIGNAL (GT650FI)	1
22	38742HP7600	BRACKET,RELAY (GV650FI)	1
23	38615HR9800	BRACKET,RELAY MODULE (GV650FI)	1
24	01517-06166	BOLT,STEERING LOCK (GV)	4
25	32820HR9800	BKT,RETIFIER REGULATOR(GV650F	1
26	01517-06256	BOLT,REAR SEAT (GV)	2
27	33415H99D00	CABLE, IGNITION FR & RR (GV700	2 *DELPHI
28	41320HB9500	BRACKET,ECU (GV650P)	1 *DELPHI
29	45220H93B00	LOCK ASS'Y SEAT STRIKER (GA)	1 *DELPHI

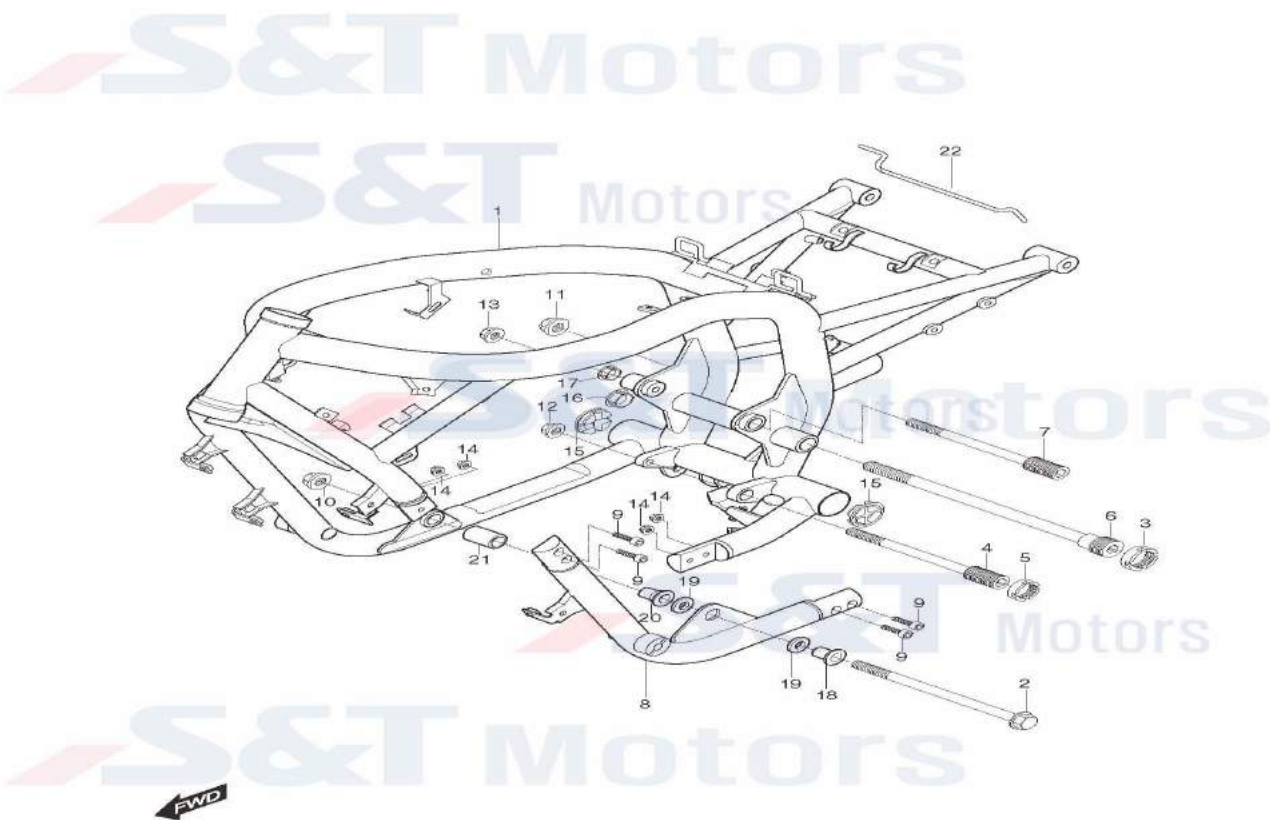
FIG 33



SEQ	PART CODE	PART NAME	U/S	REMARK
1	43590HP9501PLT	BRACKET,FT FOOTREST LH (GV650)	1	
2	25601HP9550	LEVER SET,GEAR SHIFT (GV650)	1 EN, EU, BF01, BG01	
2-1	25601HP9500	LEVER SET,GEAR SHIFT (GV650)	1 BS01	
3	43510HP9502PLT	BOSS,FRONT FOOTREST (GV650)	2 =43510HP9502PLA	
4	43502HP9500	FOOTREST,FRONT L (GV650)	1	
5	43581HP9500	BAR,FRONT FOOTREST LH (GV650)	1	
6	43550H93B00	RUBBER COMP	1	
7	07110-06128	BOLT,SEAT LOCKER	2	
8	09448H16001	SPRING (GA)	1	
9	09200H12001	PIN (GV250N)	1	
10	08332-11106	E-RING FOOTREST RH/LH (GA)	2	
11	43661HM8101	FOOTREST,PILLION R (GT250)	1	
11-1	43661HC9701	FOOTREST BAR, PILLION RH	1	
12	43671HM8101	FOOTREST PILLION L (GT250)	1	
12-1	43671HC9701	FOOTREST BAR, PILLION LH	1	
13	43620HP9500121	BKT,PILLION FOOTREST R(GV650)	1 BLACK	
14	43720HP9500121	BKT,PILLION FOOTREST L (GV650)	1 BLACK	
15	43641HM8101	PLATE,PILLION STOPPER NO2(GT25	2	

16	07120-08258	BOLT,GRIP HANDLE (GT250RN)	4
17	43679HM8101	PIN,PILLION FOOTREST (GT250)	2
18	09448H08008	SPRING,PILLION FOOTREST(GT250)	2
19	08332-11048	E-RING FRONT FOOTREST (GA)	2
20	43631HM8101	PLATE,PILLION STOPPER NO1(GT25	2
21	43572HP9500PLA	CAP FRONT FOOTREST BOSS(GV650)	2
22	07110-10258	BOLT,FRONT FOOTREST BRACKET	2

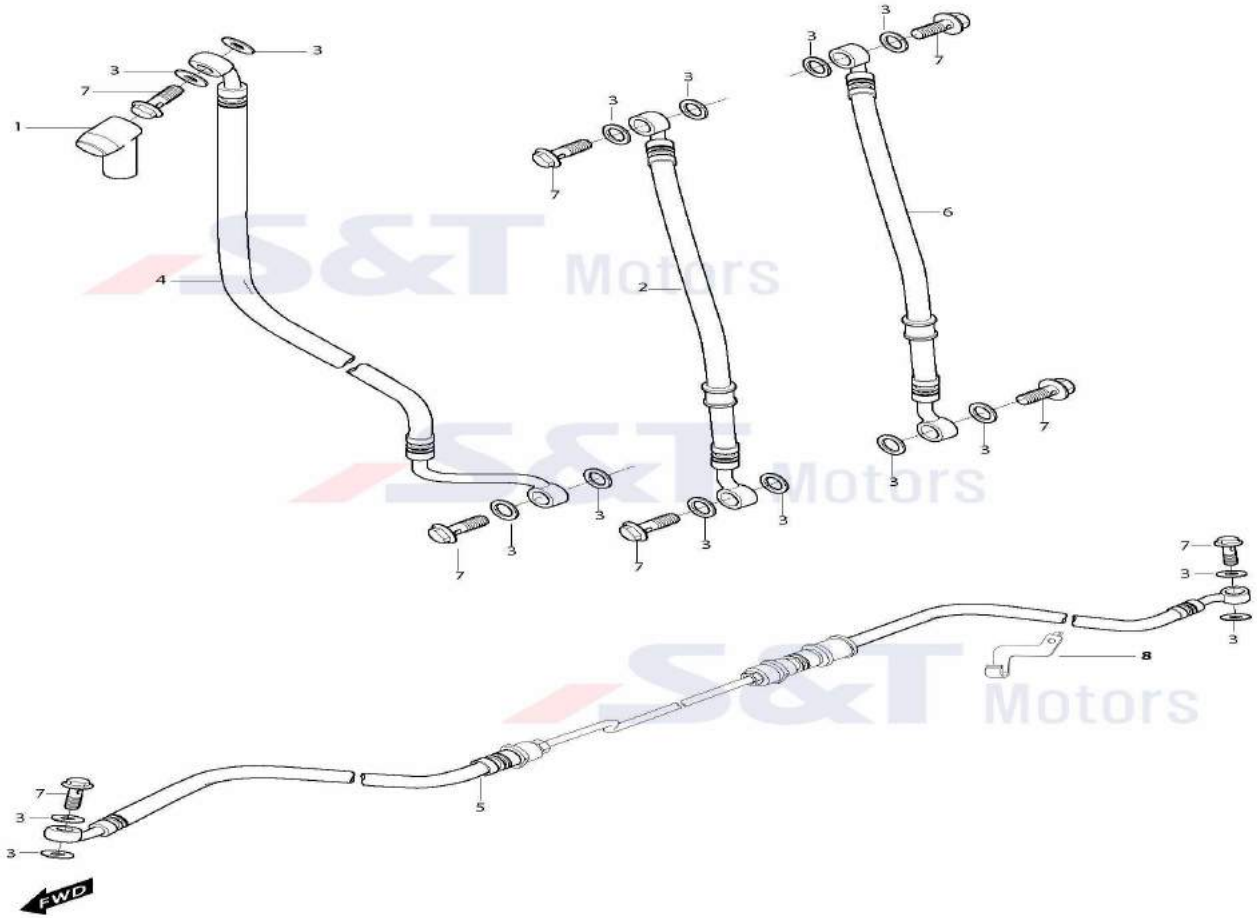
FIG 30



SEQ	PART CODE	PART NAME	U/S	REMARK
1	41100HA9800PAM	FRAME COMP (GV650P)	1	
1-1	41100HB9500PAM	FRAME COMP (GV650P)	1	*DELPHI
2	41165HP9501	SHAFT,ENGINE MOUNTING FT(GV650)	1	
3	09141H26001	LOCK NUT,ENGINE MTG LINK(GT650)	1	
4	41191HN9101	SHAFT ENGINE MTG RR LOW(GT650)	1	=41191HN9102
5	09141H20001	LOCK NUT,ENGINE MTG RR LOW(GT6)	1	
6	61211HP9502	SHAFT,RR SWINGARM PIVOT(GV650)	1	=61211HP9501
7	41181HP9501	SHAFT,EG MOUNTING REAR (GV650)	1	=41181HP9500
8	41150HP9501PAM	TUBE COMP,FRAME DOWN L (GV650)	1	
9	07110-08358	BOLT,PILLION RIDER	4	
10	08316-16088	NUT,CYLINDER HEAD	1	
11	08319-31128	NUT,SWING ARM PIVOT	1	
12	08319-31108	NUT,FRONT SORBER	1	
13	08319-31108	NUT,FRONT SORBER	1	
14	08316-16088	NUT,CYLINDER HEAD	4	
15	41975HP9502120	CAP,FRAME BRIDGE (GV700C)	2	

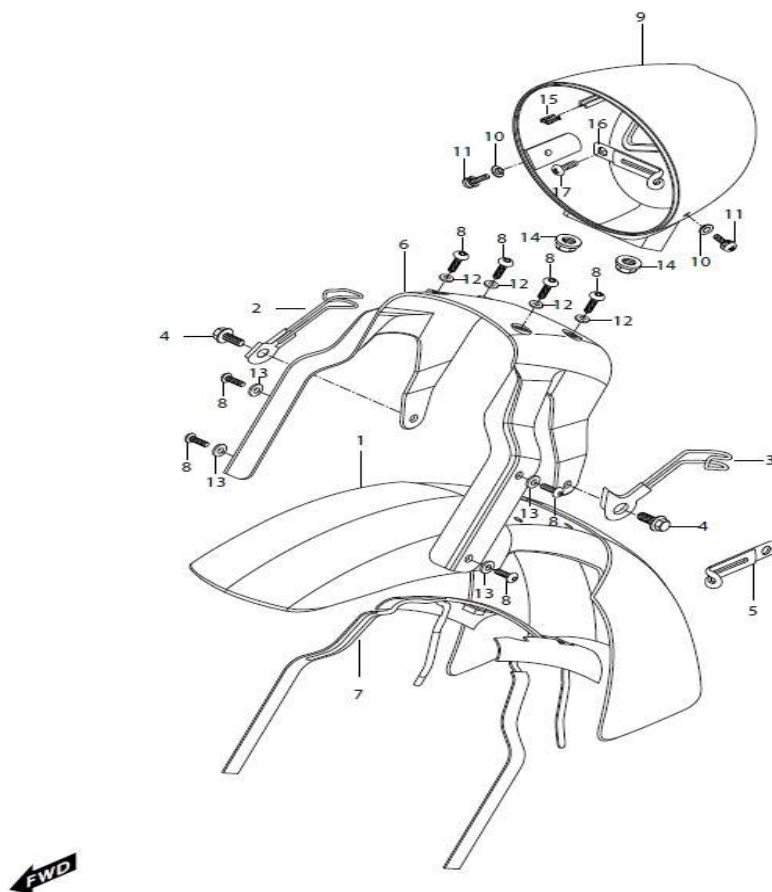
16	41977HP9502125	CAP,REAR SWINGARM BOSS(GV650P)	1 *BLACK
17	41976HP9502125	CAP,ENGINE MOUNT BOSS(GV650P	1 *BLACK
18	41170HP9500	SPACER COMP,ENGINE FT L(GV650)	1
19	09320H12025	CUSH COMP,EG MTG FT L (GV650)	2
20	41167HP9500	SPCR,ENGINE MOUTING FT L(GV650	1
21	41161HP9500	SPCR,ENGINE MOUNTING FT(GV650)	1
22	44185HP9502	STAY,FUEL TANK (GV650)	1

FIG.47



SEQ	PART CODE	PART NAME	U/S	REMARK
1	59711H49002	BOOT,MASTER CYLINDER (TN,GA,GD)	1	
3	09161-10009	WASHER,BRAKE FLUID (FX)	16	
2&4&6	59480HP9500	HOSE COMP,FRONT BRAKE (GV650)	1 Unified	
5	69450HP9502	HOSE,REAR BRAKE CALIPER(GV700C)	1 ~00, ~01	
7	09360-10039	BOLT BRAKE FLUID (AG)	8	
8	41563HP9500	CLMP,RR BRAKE HOS CALIPER(GV65)	1	

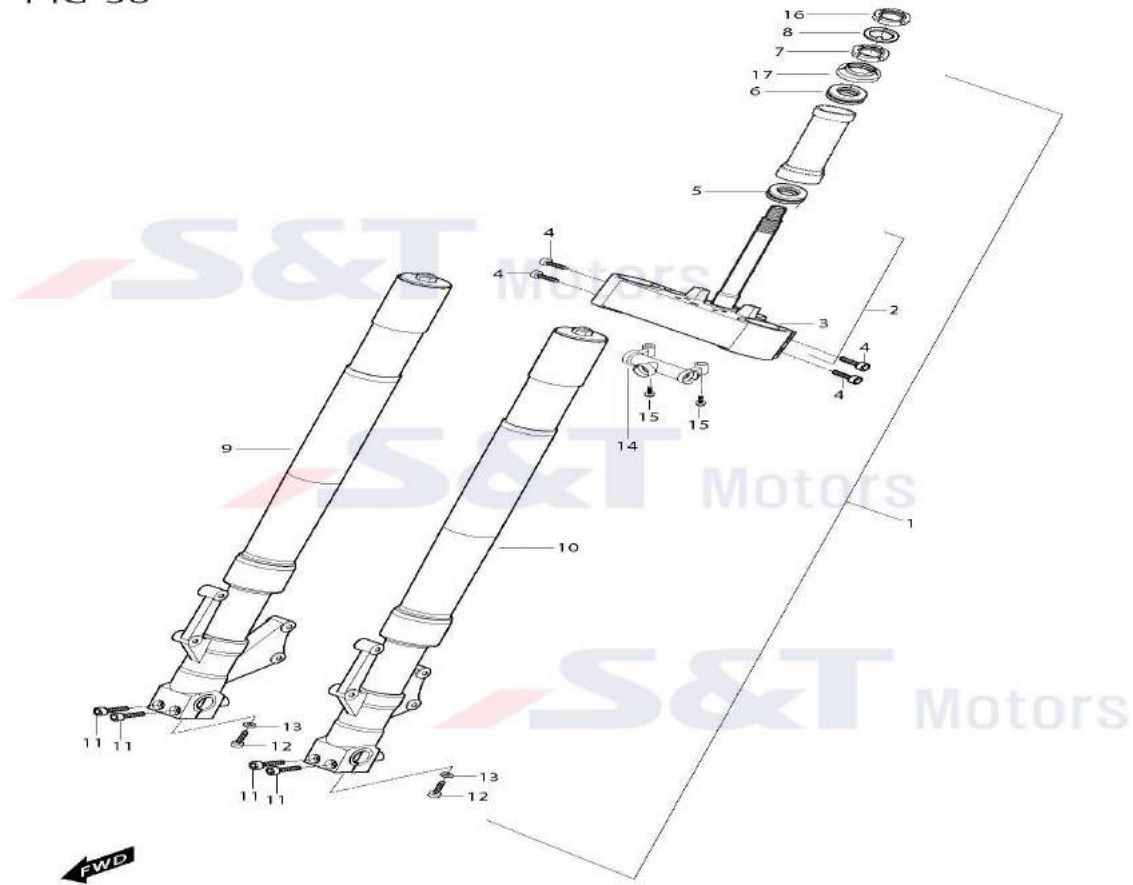
FIG 40



SEQ	PART CODE	PART NAME	U/S	REMARK
1	53111HP9502TBK	FENDER FRONT (GV650FI)	1	
1-1	53111HP95020PR	FENDER,FRONT (GV650)	1	M/C COLOR:PR
1-2	53111HP9502TST	FENDER FRONT (GV650FI)	1	
2	59430HP9501	CLAMP COMP,FRONT BRAKE (GV650)	1	
3	59440HP9501	CLAMP COMP,FRONT BRAKE (GV650)	1	
4	09106H08150	BOLT,FT FENDER CALIPER (GV650)	2	
5	09404-06404	CLAMP,WIRING HARNESS	1	
6	53311HP9501	FENDER FRONT,UPPER (GV650)	1	***M/C COLOR PR, ST
6	53311HP9501T25	FENDER FRONT,UPPER (GV650P)	1	
7	53210HP9503	BRACE COMP,FRONT FENDER(GV650)	1	
8	09106H06200	BOLT,FRONT FENDER (GV650)	8	
9	51821H99D00TBK	HOUSING,HEAD LAMP (GV700C)	1	
9-1	51821H99D00TPR	HOUSING,HEAD LAMP (GV700C)	1	
9-2	51821H99D00TST	HOUSING,HEAD LAMP (GV700C)	1	
10	09169-05008	WASHER,HANDLE COVER NO1	2	
11	02112-35168	SCREW,OIL PUMP	2	
12	08322-21068	WASHER HEAD LAMP AIMING	4	

13	09169H06078	WASHER,FRONT FENDER (GT650)	4
14	08316-26066	NUT,REAR COMBI LAMP	2
15	09148-04024	NUT,SPRING	1
16	09404-06405	CLAMP,WIRING HARNESS	1
17	03241-05106	SCREW,HEAD LAMP HOUSING CLA(GV	1

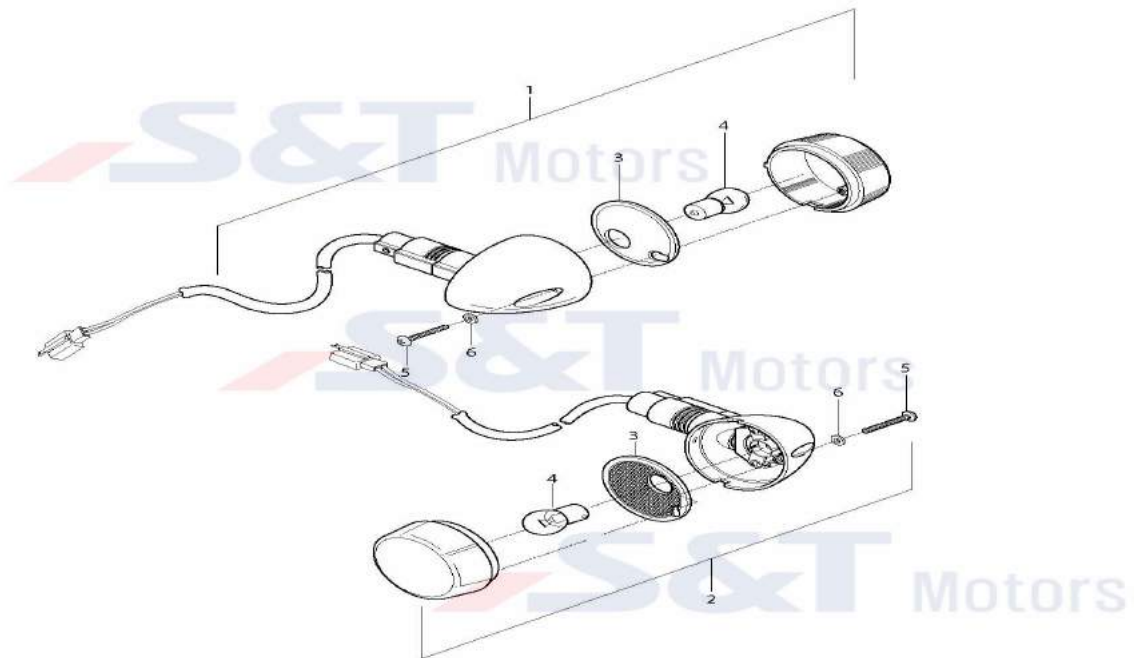
FIG 38



SEQ	PART CODE	PART NAME	U/S	REMARK
0	09159H22202	NUT,STEERING UPPER (GV650P)	1	
0-1	09159H22102	NUT,STEERING UPPER (GT650RN)	1	MY 14 (November, 2013~)
1	51100HP9501HPA	FRONT FORK ASS'Y (GV650)	1	
2	51410HP9500HPA	BRACKET,FT FORK UNDER (GV650)	1	include 51410HP9504CR (OLD)
3	51411HP9505CR	BRACKET,UNDER (GV650)	1	cor.) 51410HP9505HPA
3-1	51411HP9505CR	BRACKET,UNDER (GV650)	1	cor.) 51410HP9505HPA
3-2	51411HP9505121	BRACKET,UNDER "BLACK" (GV650)	1	MY 14 (November, 2013~)
4	07110-08258	BOLT,FRAME JOINT	4	
5	09265H28001	BEARING,STEERING LOWER (RX)	1	
6	09265H25001	BEARING,STEERING UPPER (RX)	1	
7	51631-28000	NUT,STEERING	1	
8	09166H25001	WASHER,STEERING STEM (GT650)	1	
9	51210HP9501	DAMPER ASS'Y,FT FORK R (GV650)	1	
9-1	51210HA9800	DAMPER ASS'Y,FT FORK R (GV650)	1	
10	51220HP9501	DAMPER ASS'Y,FT FORK L (GV650)	1	
10-1	51220HA9800	DAMPER ASS'Y,FT FORK L (GV650)	1	
11	09106H08458	BOLT HANDLE HOLDER UPPER (MS2)	4	
12	52710-N9100	BOLT,BOTTOM (GV650)	2	

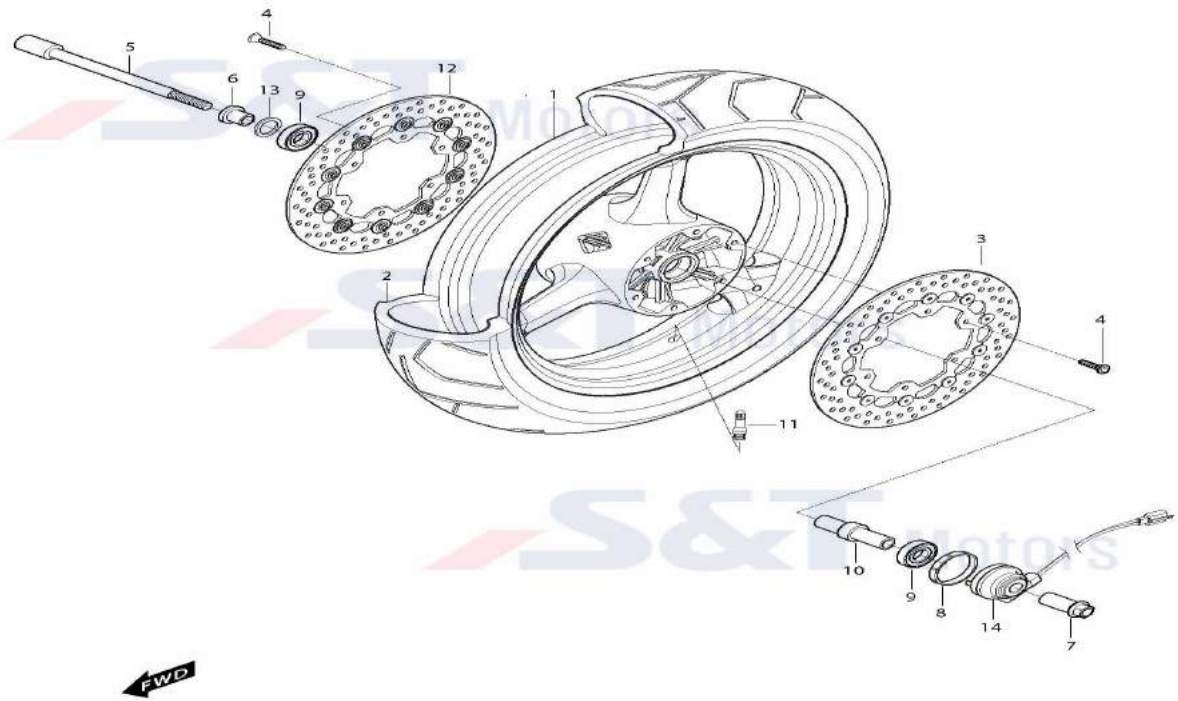
13	52730-G5800	WASHER,SEAL (GV650)	2
14	51511HP9501	JOINT,FRONT BRAKE HOSE (GV650)	1
15	01517-06308	BOLT,STEERING LOCK NO1	2
16	51631HN9101	NUT,STEERING STEM UPPER(GT250)	1 2012.11.29~
17	51643HG5801	DUST SEAL,STEERING UPPER (RX)	1

FIG.27



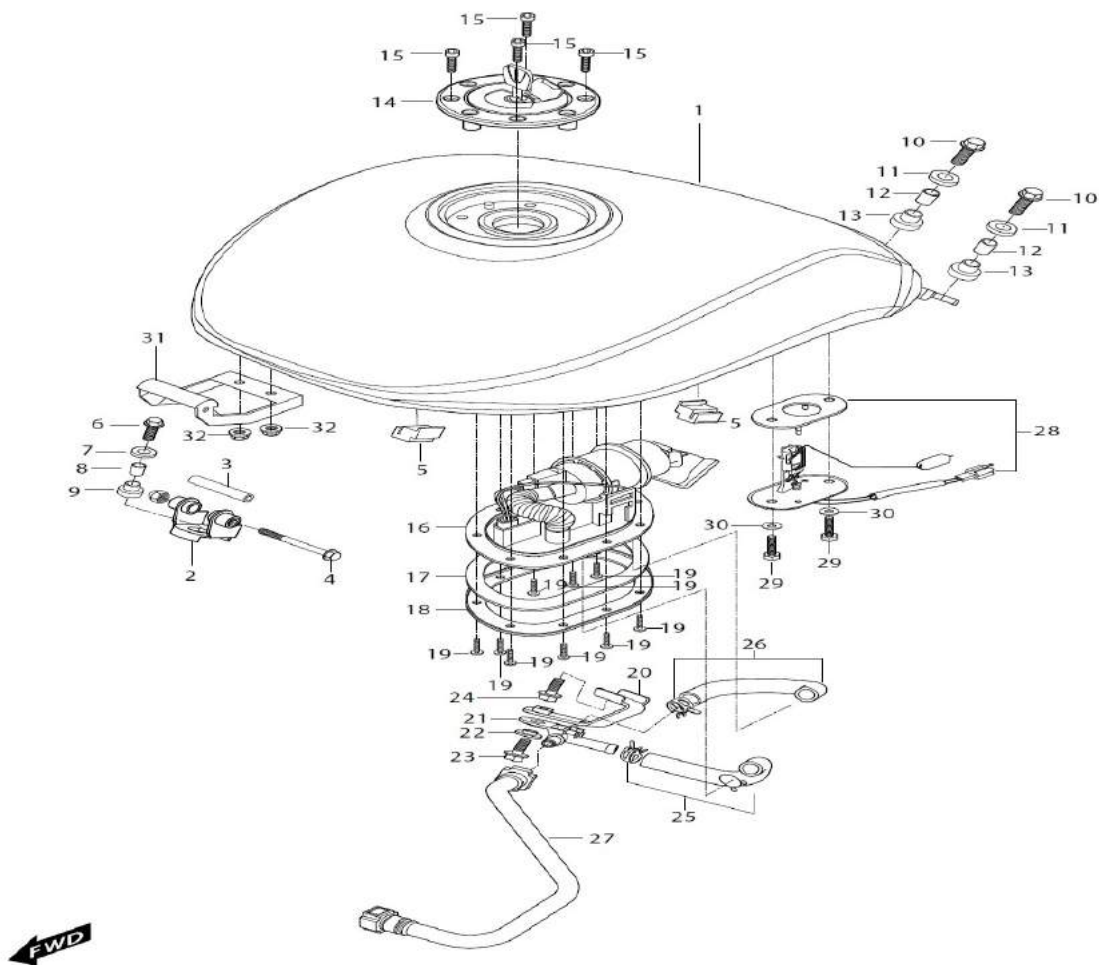
SEQ	PART CODE	PART NAME	U/S	REMARK
1	35601HP9501	LAMP,FRONT TURNSIGNAL R(GV650)	1	
2	35602HP9501	LAMP,FRONT TURNSIGNAL L(GV650)	1	
3	35614HP9500	REFLECTOR,T/SIG LAMP (TE450)	2	
4	09471H12112	BULB(12V G18:RY10W) (GV650)	2	
5	02142-05128	SCREW,BATTERY COVER	2	NOT SALE
6	35609H93B00	VINYL WASHER,T/SIGNAL	2	

FIG 41



SEQ	PART CODE	PART NAME	U/S	REMARK
1	54140SP9510HPA	WHEEL+TIRE FRONT(BLACK)(GV650)	1	
1-1	54141HP9500120	WHEEL,FRONT (GV650)	1	BLACK
2	55100HP9500	TIRE COMP,FRONT (GV650)	1	
3	59220HP9502	DISC,FRONT BRAKE L (GV650)	1	
4	59421-03A01	BOLT,FRONT BRAKE DISK (SBS)	12	
5	54711HG5101	AXLE,FRONT (GV)	1	
6	54750HP9501	SPACER,FRONT AXLE R (GV650)	1	
7	59421-03A01	BOLT,FRONT BRAKE DISK (SBS)	1	
8	54690HM8101	COVER,SPEEDOMETER (GT250)	1	
9	08124-63027	BEARING FRONT HUB R/L (GV)	2	
10	54731HM8100	SPACER (GT250)	1	
11	55220-29C20	VALVE ASS'Y	1	
12	59210HP9502	DISC COMP,FRONT BRAKE R(GV650)	1	
13	09283H25002	OIL SEAL,FRONT BEARING (GV650)	1	
14	34860HP9201	SENSOR,SPEEDOMETER (GT650R)	1	

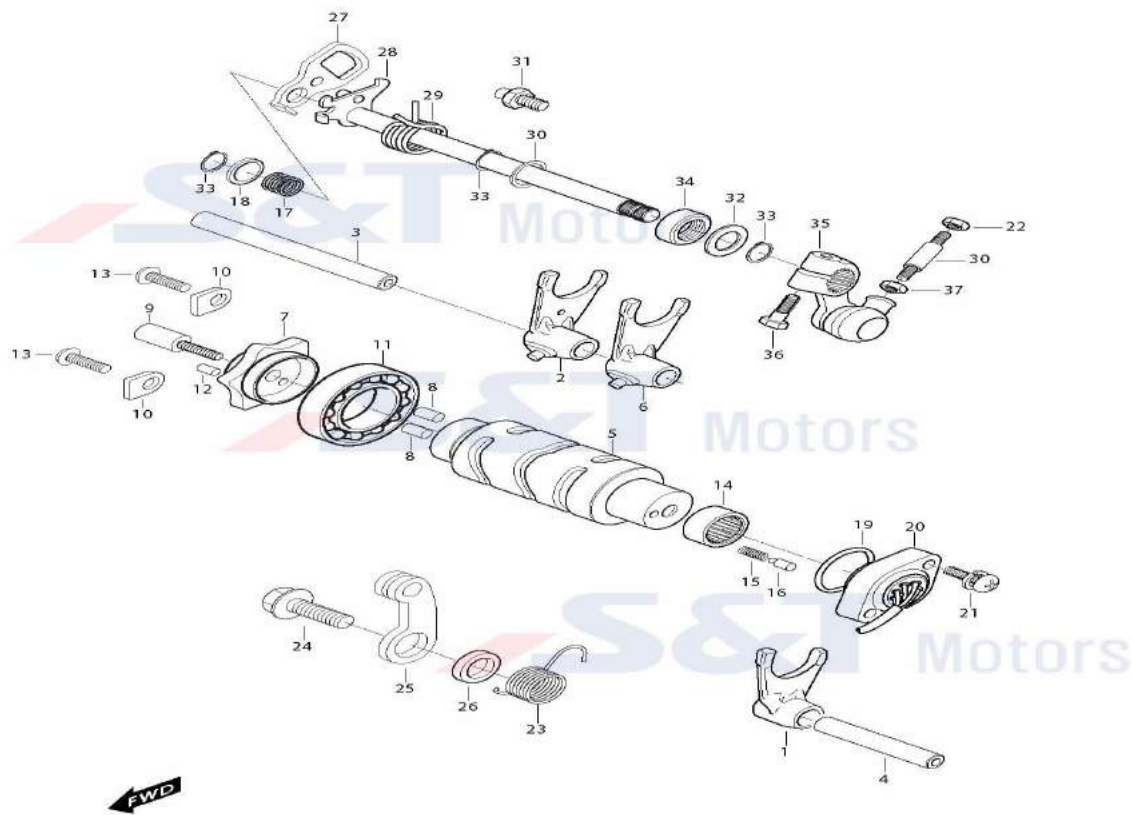
FIG 34



SEQ	PART CODE	PART NAME	U/S	REMARK
1	44110HR9800CBK	FUEL TANK COMP (GV650FI)	1	M/C COLOR:BK
1-1	44110HR9800CPR	FUEL TANK COMP (GV650)	1	M/C COLOR:PR
1-2	44110HR9800CST	FUEL TANK COMP (GV650P)	1	M/C COLOR:ST
1-3	68120HP9561CR	EMBLEM,F/TANK "AQUILA" (GV650)	2	
1-4	68130HA9800	TAPE, FUEL TANK (GV650P)	2	
1-5	68131HA9800	EMBLEM, PRO (GV650P)	2	
2	44180HP9501	BKT,FUEL TANK FT LOW (GV650)	1	
3	44183HP9502	SPCR,F/TANK LOW BKT&F/TANK(GV6	1	
4	09103H06001	BOLT,CYL HEAD NO.2 (GT650)	1	
5	09329H28001	CUSH,FUEL TANK SIDE (GT250)	2	
6	09116H08078	BOLT FUEL TANK REAR (GA)	1	
7	09320-14013	CUSHION,TANK LOW	1	
8	09180H08007	SPACER FUEL TANK REAR (GA)	1	
9	09320H10020	CUSHION FUEL TANK RR LOW (GA)	1	
10	09116H08078	BOLT FUEL TANK REAR (GA)	2	
11	09320-14013	CUSHION,TANK LOW	2	
12	09180H08007	SPACER FUEL TANK REAR (GA)	2	
13	09320H10020	CUSHION FUEL TANK RR LOW (GA)	2	

14	44200H35C30	CAP,FUEL TANK FILL (GT125)	1
15	09106-05017	BOLT F/TANK FILLER CAP (GT250R	4
16	15100HR9810	PUMP ASSY,FUEL MODULE(GV650EI)	1
16-1	15100HB9500	PUMP ASSY,FUEL MODULE (GV650P)	1 *DELPHI
17	34825HP9300	PACKING,F/PUMP MODULE(GV650FI)	1
18	15115HP9300	PLATE,FUEL PUMP MODULE(GT650FI	1
19	09125H04016	SCREW,F/PUMP MODULE (GV650FI)	10
20	44410HR9800	BRACKET COMP,JOINT LOW(GV650FI	1
21	15911HP9300	JOINT,FUEL HOSE (GT650RFI)	1
22	09169H06078	WASHER,FRONT FENDER (GT650)	1
23	01517-06125	BOLT,COVER CYLINDER HEAD	1
24	01517-06125	BOLT,COVER CYLINDER HEAD	1
25	15812HP9300	HOSE,FUEL PUMP&JOINT (GT650RFI	1
26	15813HP9300	HOSE,REGULATOR&JOINT(GT650RF I)	1
27	15820HR9800	HOSE,FUEL INJECTOR (GV650EI)	1
28	34810HP9502SVC	FUEL SENDER GAUGE ASSY GV650	1
29	09128-06035	BOLT,FUEL COCK	2
30	09168-06010	GASKET FUEL LEVEL GAUGE (GA)	2
31	44150HP9500PAM	BRACKET,F/TANK FT UPPER(GV650	1
32	08316-26066	NUT,REAR COMBI LAMP	2

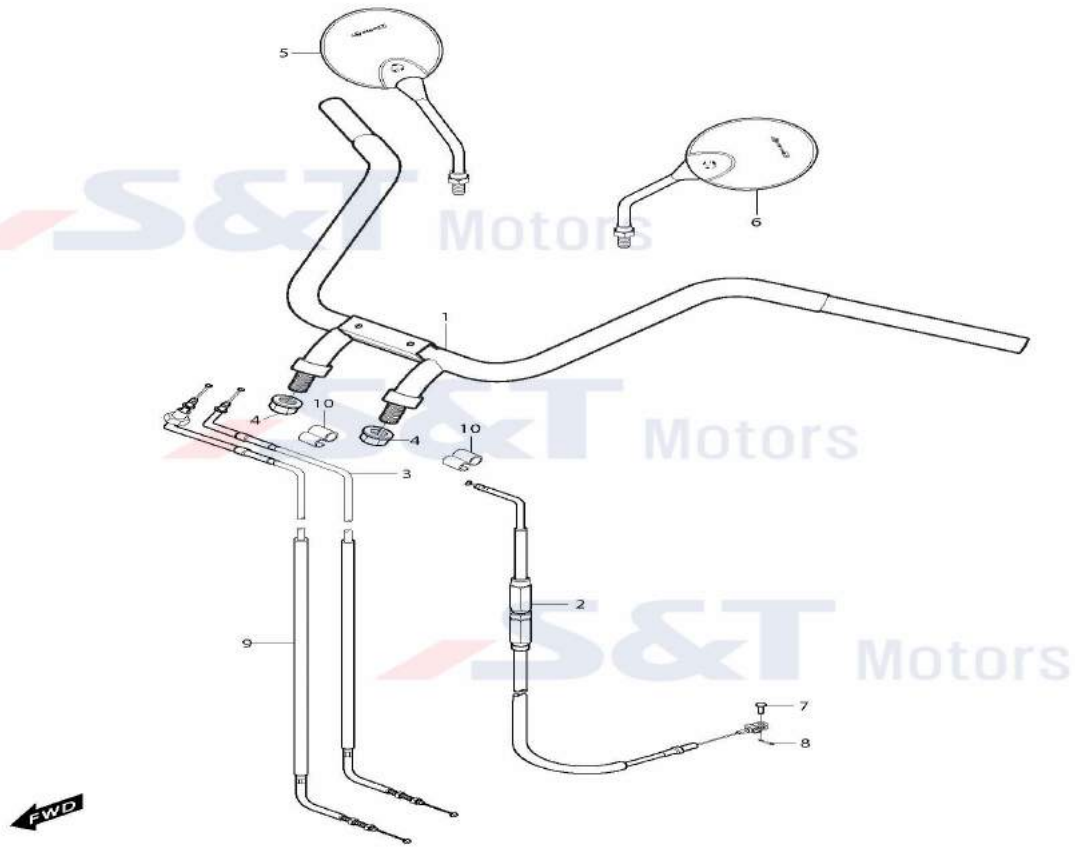
FIG 20



SEQ	PART CODE	PART NAME	U/S	REMARK
1	25231HN9100	FORK,GEAR SHIFT NO.3 (GT650)	1	
2	25211HN9100	FORK,GEAR SHIFT NO.1 (GT650)	1	
3	25411HN9100	SHAFT,GR SHIFT FORK NO.1(GT650)	1	
4	25421HN9100	SHAFT,GEAR SHIFT FORK NO2(GT650)	1	
5	25310HP9500	CAM COMP,GR SHIFT (GV650)	1	
6	25221HN9100	FORK,GEAR SHIFT NO.2 (GT650)	1	
7	25380HN9105	PLATE COMP,GEAR SHIFT CAM(GT650)	1	
8	04221-04089	PIN GEAR SHIFT CAM (X,FB)	2	
9	25321HN9100	BOLT,GEAR SHIFT CAM PLT(GT650)	1	
10	24741HN9100	RETAINER,COUNTER SHAFT BG(GT650)	2	
11	09262H25002	BEAR'G,GR SHIFT CAM (GT650)	2	
12	09261-04002	PIN,GEAR SHIFT CAM 1	6	
13	02122-06128	SCREW,OL GR SH	2	
14	09263H25001	BEARING,GEAR SHIFT CAM R(GT650)	1	
15	09440-04010	SPRING,GEAR SWITCH	1	
16	09209-05011	CONTACT,GEAR S SWITCH	1	
17	09440H17001	SPRING,GEAR SHIFT CAM DRV(GT650)	1	

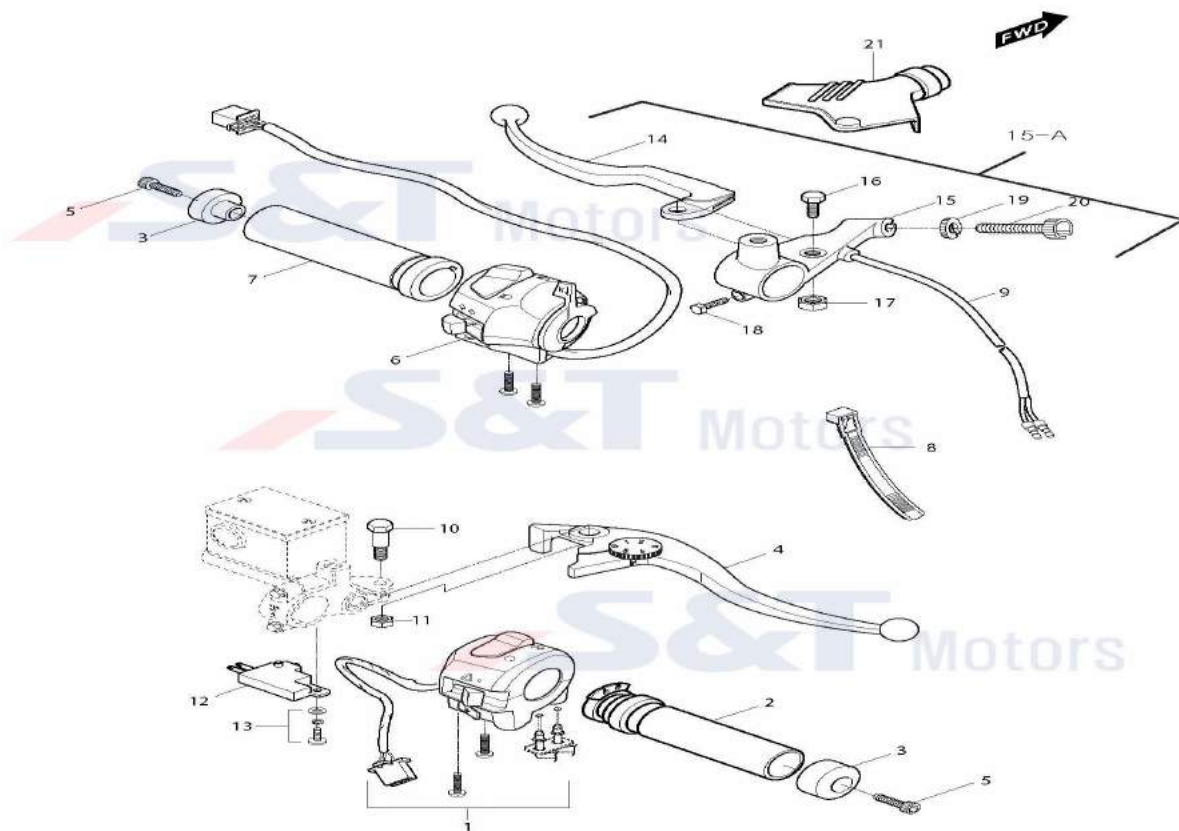
18	09181H14001	SHIM,GEAR SHIFT SHAFT (GT650)	2
19	09280-26003	O/RING,GEAR SHIFT SWITCH	1
20	37720HR8601	SENSOR ASSY,GR POSITION(GT650	1 KM4VP61AXD1500353~(09.2012~)
21	02112-95208	SCREW	2
22	09140-06011	NUT,GR SHIFT LINK LH	2
23	09448H17001	SPRING,GEAR SHIFT CAM (GT650)	1
23-1	09448H17002	SPRING,GEAR SHIFT CAM STOPPER	1 [2012/11/19]
24	09111-06019	BOLT,GEAR SHIFT CAM STOP	1
25	25350HN9100	STOPPER,GEAR SHIFT CAM (GT650)	1
26	08211-06121	WASHER,SHIFT CAM	1
27	25521HN9100	PLATE,GEAR SHIFT CAM (GT650)	1
28	25510HP9500	SHAFT COMP,GEAR SHIFT (GV650)	1
29	09444H20011	SPRING,GEAR SHIFT SHAFT(TE450)	1
30	25525HP9500	ROD,GR SHIFT LINK(L=273)(GV650	1 EN,EU,BF01,BG01
30-1	25525HP9550	ROD,GR SHIFT LINK(L=323)(GV650	1 BS01
31	25671-01000	STOPPER,GR SHIFT	1
32	09160H14003	WASH,GR SHIFT SHAFT (GT650)	1
33	08331-31149	CIRCLIP,KICK SHAFT	3
34	09283H14002	SEAL,GEAR SHIFT CAM DRV (GT650	1
35	25520-32C00	ARM COMP,G/SHIFT LINK (GD)	1
36	01107-06208	BOLT,GEAR SHIFT	1
37	08310-11068	NUT	1

FIG 42



SEQ	PART CODE	PART NAME	U/S	REMARK
1	56110HP9506PLT	HANDLE BAR COMP (GV650)	1	=56110HP9506PLA
2	58200H99D01	CABLE ASS'Y,CLUTCH (GV650)	1	=58200HP9502
3	58300HR9801	CABLE,THROTTLE (GV650FI)	1	
4	08319-31126	NUT,CRANK CASE BRACKET	2	
5	56500HP9501	MIRROR,REAR VIEW R (GV650)	1	
6	56600HP9501	MIRROR,REAR VIEW L (GV650)	1	
7	09200-06004	PIN,CLUTCH	1	
8	04111-20158	COTTER PIN	1	
9	58600HR9801	CABLE THROTTLE RETURN(GV650FI)	1	
9-1	58600HR9801	CABLE THROTTLE RETURN(GV650FI)	1	
10	09408-00002	CLIP,CABLE	2	
11	56501HP9500	MIRROR SET (GV650)	1	
11-1	56501H99D00	MIRROR SET (GV650P)	1	2012.07~

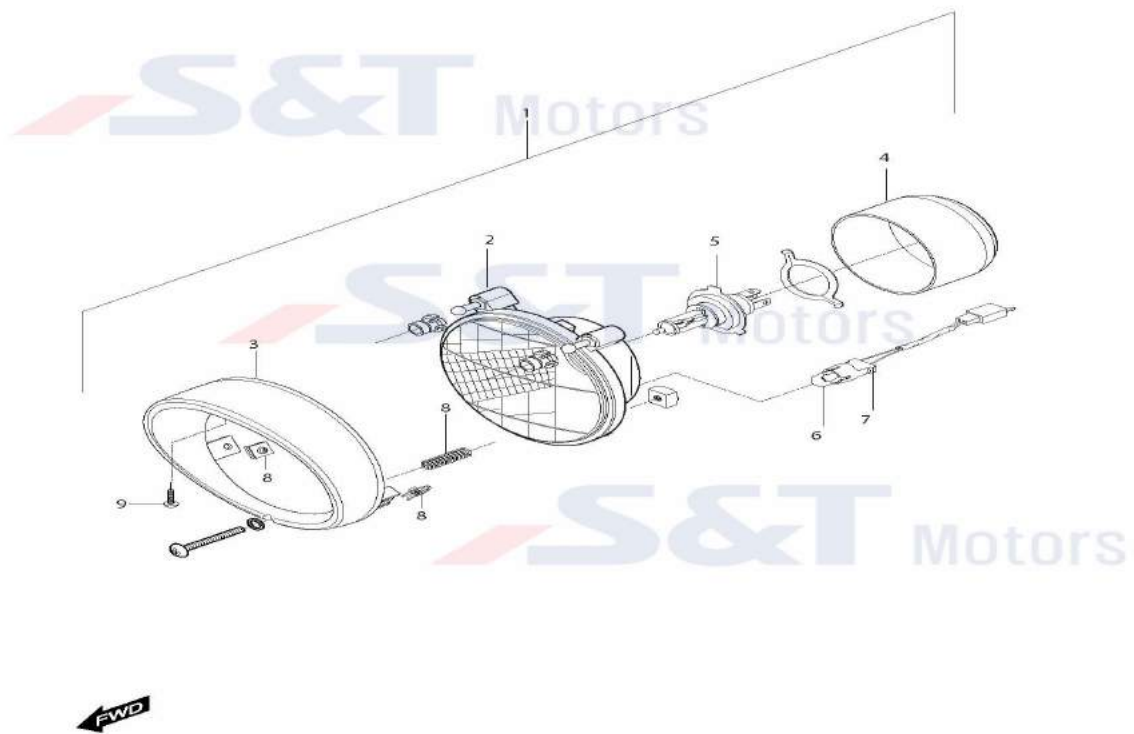
FIG 43



SEQ	PART CODE	PART NAME	U/S	REMARK
1	37200HP9501	SWITCH ASS'Y,HANDLE R (GV650)	1	
2	57110HG5103	GRIP COMP,THROTTLE (GV125)	1	
3	56271HP9500PLT	BALANCER,HANDLE BAR (GV650)	2	
4	57300HP9501	LEVER ASSY,BRAKE (GV650)	1	=57300HP9500
5	07110-08208	BOLT,ENGINE MOUNT FRONT (GA)	2	
6	37400HR9800	SWITCH ASS'Y,HANDLE L (GV650FI)	1	
7	57210HG5100	GRIP COMP,L (GV)	1	
8	09407-14403	CLAMP,STRNINER(125MM) (EZ)	2	
9	57460HP9500	SWITCH ASS'Y,CLUTCH (GV650)	1	
10	57431H93B00	BOLT,CLUTCH LEVER PIVOT (GA)	1	
11	08319-21068	NUT,BRAKE LEVER	1	
12	57460-17C00	SWITCH ASS'Y STOP (AG,SB)	1	
13	02112-05105	SCREW,FRONT FORK COVER	1	
14	57620HP9500	LEVER COMP,CLUTCH (GV650)	1	
15-1	57500HP9501	LEVER ASS'Y,CLUTCH (GV650)	1	
15	57511HP9501	HOLDER,LEVER(SILVER) (GV650)	1	
16	57531HN9100	BOLT,CLUTCH LEVER PIVOT(GT650)	1	
17	08319-21068	NUT,BRAKE LEVER	1	

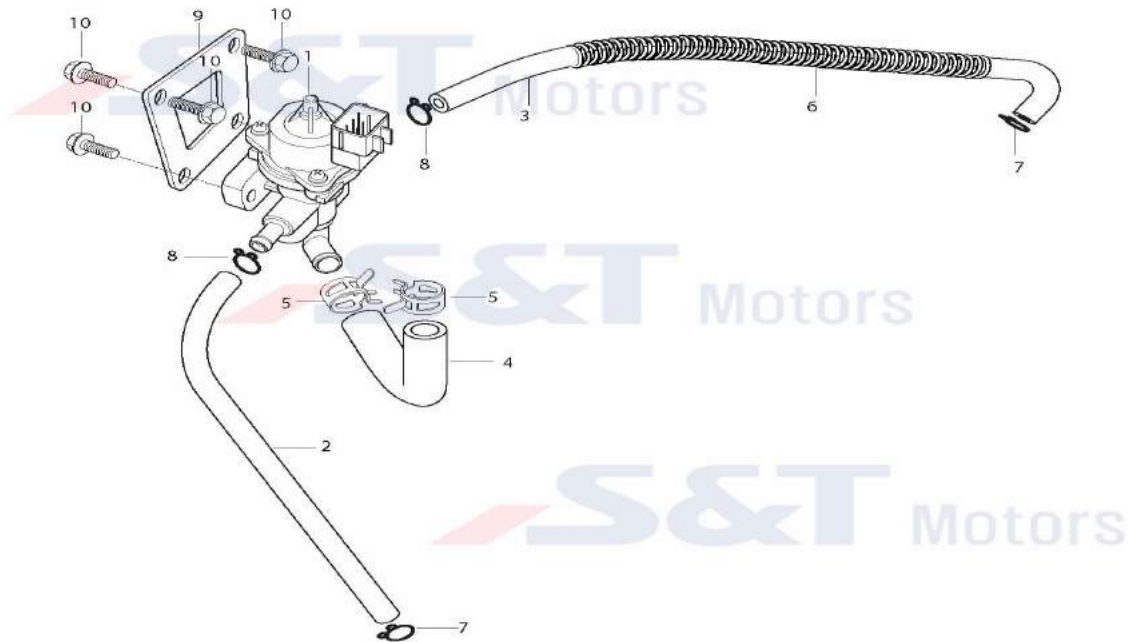
18	57451H93B00	CROWN BOLT	(GA)	1
19	57442H93B00	LOCK NUT		1
20	57441H93B00	WIRE ADJUSTER	(GA)	1
21	57661HN9100	COVER,REAR BRAKE LEVER (SF50R		1

FIG.26



SEQ	PART CODE	PART NAME	U/S	REMARK
1	35100HP9500	HEAD LAMP ASS'Y (GV650)	1	EU,BF01,BG01,BS01
1-1	35100HP9560	HEAD LAMP (GV650)	1	"EN"
1-2	35126HP9500	RETAINER,AMIMING (ST7)	1	
3	35111HP9500	RIM,HEAD LAMP (GV650)	1	
5	09471H12103	BULB,HEAD LAMP(12V H4 60/55W)	1	
6	09471H12110	BULB,POSITION LAMP (12V 5W)	1	
8	09148-05039	NUT HEADLAMP COWLING (GSX)	2	
9	09404-08403	CLAMP,WIRING HARNESS	1	

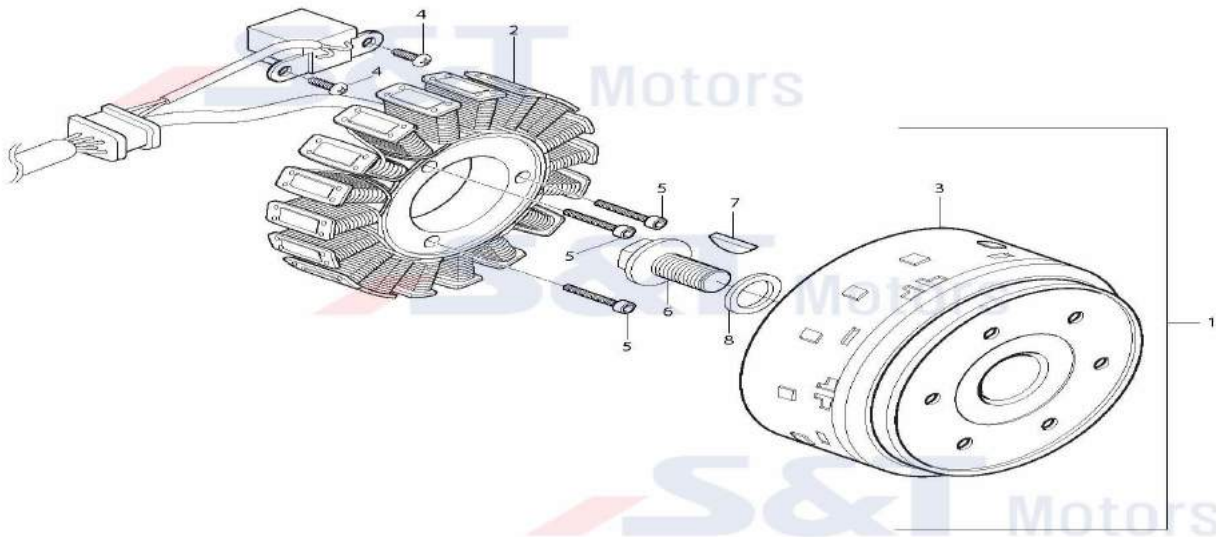
FIG 11



SEQ	PART CODE	PART NAME	U/S	REMARK
1	37940HR8411	SOLENOID ISC (GV250)	1	
2	18731H89801	HOSE,ISC NO.1 (GV650EI)	1	
3	18741H89801	HOSE,ISC NO.2 (GV650P)	1	
4	18751H89800	HOSE,2ND AIR CLEANER (GV650EI)	1	
5	09401H16401	CLAMP,2ND AIR VALVE HOSE (SF50	2	
6	09440-13019	SPRING,O/HOSE (SB-EG01)	1	
7	09401-10401	CLIP,FUEL HOSE	2	
8	09401H11401	CLIP,INLET HOSE	2	
9	13790H89800	BRACKET,IAP SENSOR (GT650REI)	1	
10	09128-06035	BOLT,FUEL COCK	4	

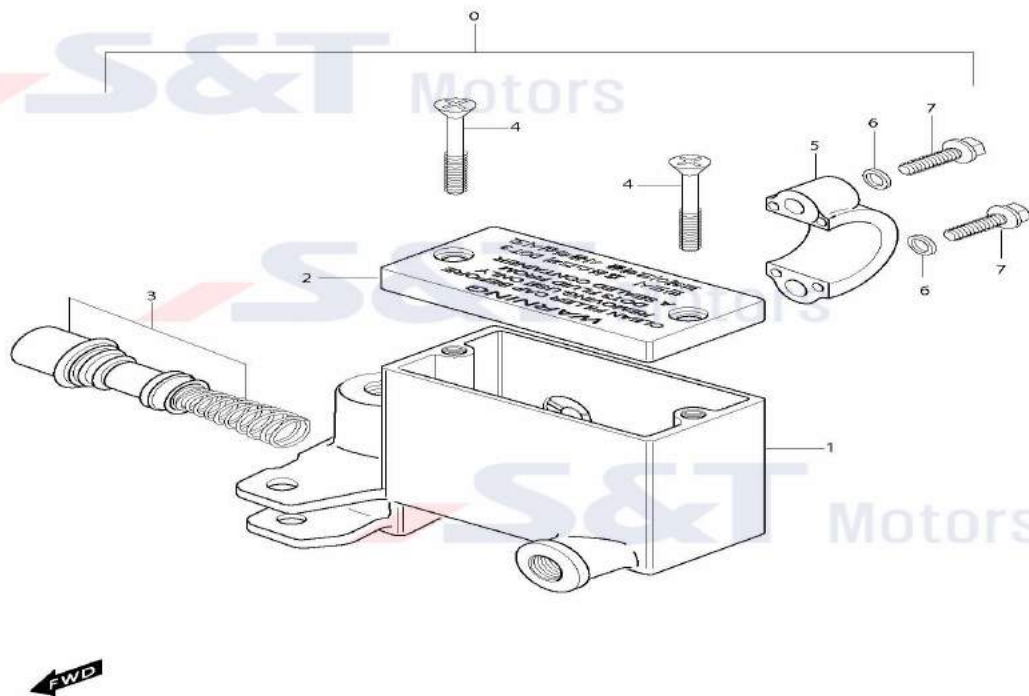
SEQ	PART CODE	PART NAME	U/S	REMARK
1-1	68319H05351PL	LABEL,CAUTION□□GT/GV/RT/RX	1 EN,EU	
1-2	68319H05371PL	LABEL,CAUTION□□GT/GV/RT/RX	1 EG01	
1-3	68319H05380PL	LABEL,CAUTION□□GT/GV/RT/RX	1 BS01	
1-4	68319H05391PL	LABEL,CAUTION□□GT/GV/RT/RX	1 BF01	
2-1	68320HP9550PL	LABEL,CHAIN CASE□□ (GV650)	1 EN,EU	
2-2	68320HP9570PL	LABEL,CHAIN CASE□□ (GV650)	1 EG01	
2-3	68320HP9580PL	LABEL,CHAIN CASE□□ (GV650)	1 BS01	
2-4	68320HP9590PL	LABEL,CHAIN CASE□□ (GV650)	1 BF01	

FIG 22



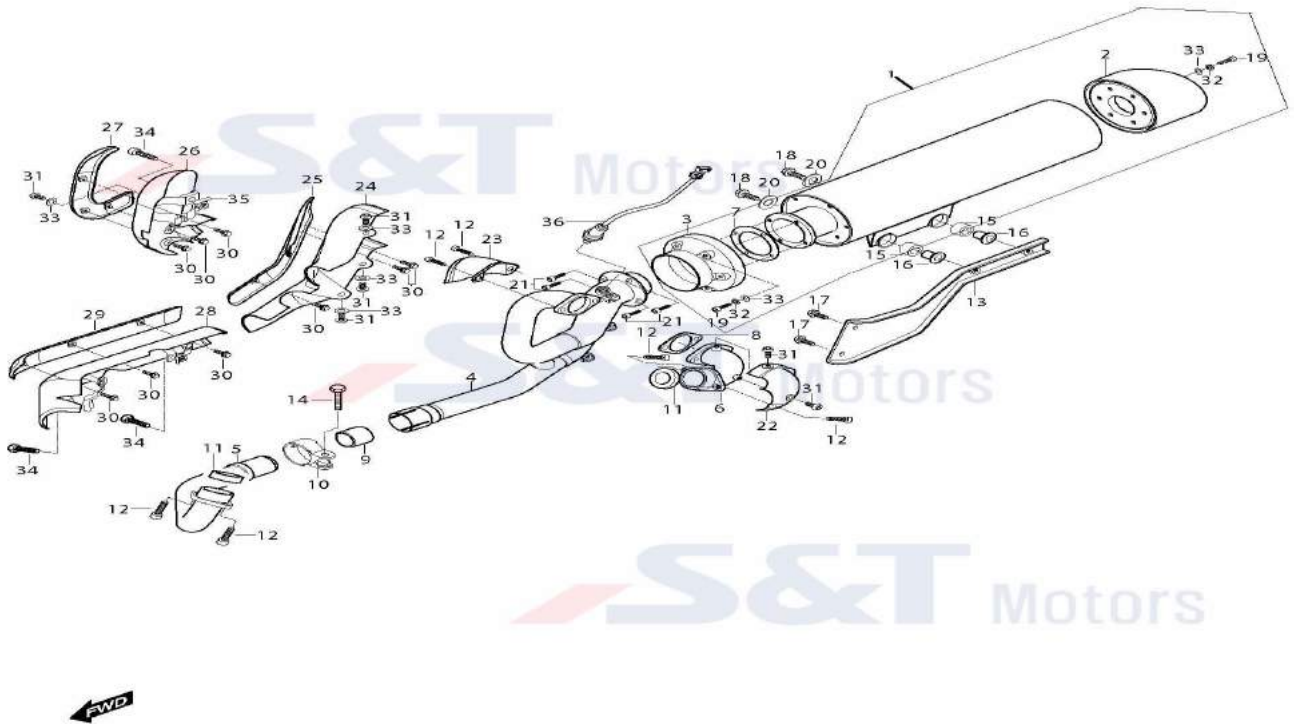
SEQ	PART CODE	PART NAME	U/S	REMARK
1	32100HP9301	MAGNETO ASS'Y (GV650FI)	1	
1-1	32100H99D00	MAGNETO ASS'Y (GV700C)	1	*DELPHI
1-2	32100H99D01	MAGNETO ASS'Y (GV650)	1	June. 2013~
1-3	32100H99D02	MAGNETO ASS'Y (GV650)	1	Must Replace with 32800HN9120 RECTIFIER REGULATOR ASSY
4	02142-05128	SCREW,BATTERY COVER	2	NOT SALE
5	09106H06006	BOLT,CLUTCH SPRING (GV650P)	3	
6	09103H12001	BOLT,MAGNETO (GT650)	1	
7	09420H04001	KEY,MAGNETO (GT650)	1	
8	09160H12003	WASHER,MAGNETO (GT650)	1	

FIG.46



SEQ	PART CODE	PART NAME	U/S	REMARK
0	59600HP9503	CYLINDER ASSY,FT MASTER(GV650)	1	
2	59669SP9510	CAP,MASTER CYLINDER (GV650)	1	59669HP9500+59511HP9200
2-1	59669HP9500	MASTER CYLINDER CAP (GV650)	1	
2-2	59511HP9200	RESERVOIR CAP PLATE (GT250)	1	
3	59600HP9503	CYLINDER ASSY,FT MASTER(GV650)	1	
4	59691-35C00	SCREW (GD)	2	
4-1	59691-35C00SUS	SCREW, MASTER CYLINDER CAP	2	STAINLESS
5	59671HP9500	HOLDER (GV650)	1	
6	09106H06157	BOLT, M/CYLINDER HOLDER	2	

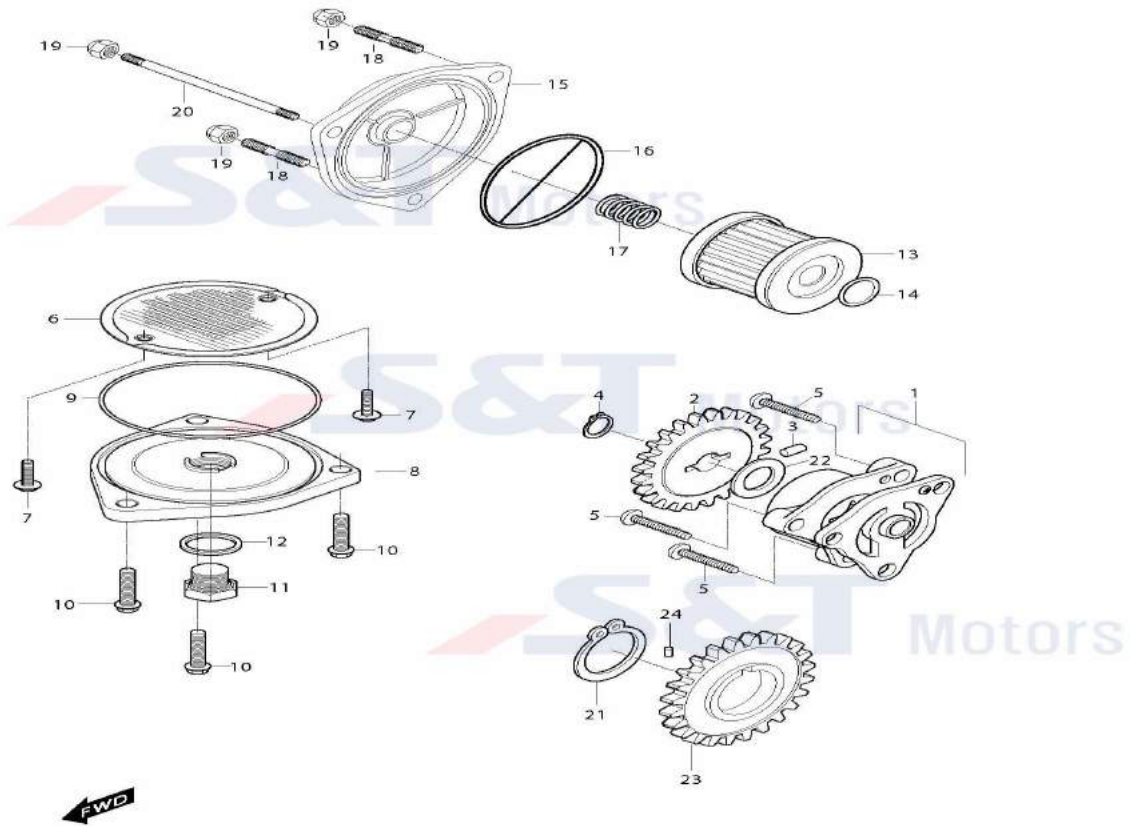
FIG.13



SEQ	PART CODE	PART NAME	U/S	REMARK
0	14301HR9800PLH	BODY ASS'Y,MUFFLER (GV650FI)	1	
0-1	14310HB9500HPA	MUFFLER COMP (GV650P)	1	=14310HB9500PLH / *DELPHI
1	14310H89800HPA	MUFFLER COMP (GV650EI)	1	
2	14790HP9500	COVER,MUFFLER REAR (GV650)	1	
3	14780HP9500	COVER,MUFFLER FRONT (GV650)	1	
4	14170HR9800	PIPE,MUFFLER JOINT (GV650EI)	1	
4-1	14170HB9500	PIPE,MUFFLER JOINT (GV650P)	1	*DELPHI
4-2	14170HB9580	PIPE,MUFFLER JOINT (GV650P)	1	
5	14150HP9504	PIPE,EXHAUST FRONT(S&T)(GV650)	1	
5-1	14150HB9500	PIPE,EXHAUST FRONT(S&T)(GV650)	1	*DELPHI
6	14160HP9511PAM	PIPE EXHAUST REAR (GV650)	1	
7	14314HP9500	GASKET,CONNECTOR (GV650)	1	
8	14182HP9500	GKT,EX RR PIPE CONNECTOR(GV650)	1	
9	14773HN9101	GASKET,CONNECTOR EXHAUST PIPE	1	
10	14770HN9101	CONNECTOR COMP,EXHAUST PIPE(GT)	1	
11	14181HN9101	GASKET,EXHAUST (GT650)	2	
12	07110-08258	BOLT,FRAME JOINT	6	

13	14410HP9502120	BKT,MUFFLER SUPPORT NO.1(GV650)	1
14	01517-08358	BOLT,PILLION RIDER REAR (FXM)	1
15	09320H12059	CUSHION MUFFLER BRACKET(GT650R	2
16	41160HN9101	SPACER COMP,MUF BRACKET(GT650)	2
17	01134-08258	BOLT	2
18	01517-08468	BOLT E/G M.T.G UPPER (GV650)	2
19	09106H06031	BOLT,EXHAUST PIPE COVER CLAMP	12
20	09160-08002	WASHER,MUFFLER 2ND	2
21	09106H06031	BOLT,EXHAUST PIPE COVER CLAMP	4
22	14751HP9501PLT	COVER,EXHAUST REAR PIPE(GV650)	1 =14751HP9501PLA
23	14741HP9500PLT	COV,EX JOINT OUTER.3 (GV650)	1 =14741HP9500PLA
24	14721HP9500PLT	COV,EX JOINT INNER.1 (GV650)	1 =14721HP9500PLA
25	14722HP9500	COV,EX JOINT PIPE NO.1 (GV650)	1
26	14731HP9500PLA	COV,EX JOINT INNER.2 (GV650)	1
26-1	14731HB9500PLA	COV,EX JOINT INNER.2 (GV650P)	1 *DELPHI
27	14732HP9500	COV,EX JOINT PIPE NO.2 (GV650)	1
28	14711HP9501PLA	COV,EX FT PIPE INNER (GV650)	1
28-1	14711HB9500PLT	COVER,EXHAUST FT PIPE (GV650P)	1 =14711HB9500PLA (DELPHI)
29	14712HP9500	COV,EX FT PIPE OUTER (GV650)	1 HOLE:2EA
29-1	14712HP9502	COV,EX FT PIPE OUTER (GV650)	1 HOLE: 3EA
30	01104-06065	BOLT,MUFFLER DRAIN (GV650)	9
31	09119H06001	BOLT,MUFFLER COVER (GV)	6
32	08321-21067	WASHER,SEAT LOCK	13 cor. 08321-21067
33	08322-21068	WASHER HEAD LAMP AIMING	16
34	09106H06001	BOLT,MUFFLER FRONT (GV650)	3
35	14776HP9500	CLAMP,OUTER MUFFLER NO.1(GV650)	3
36	37950H89300	SENSOR ASS'Y, OXYGEN (GV650EI)	1
36-1	37950H99D01	SENSOR ASS'Y, OXYGEN (GV700C)	1

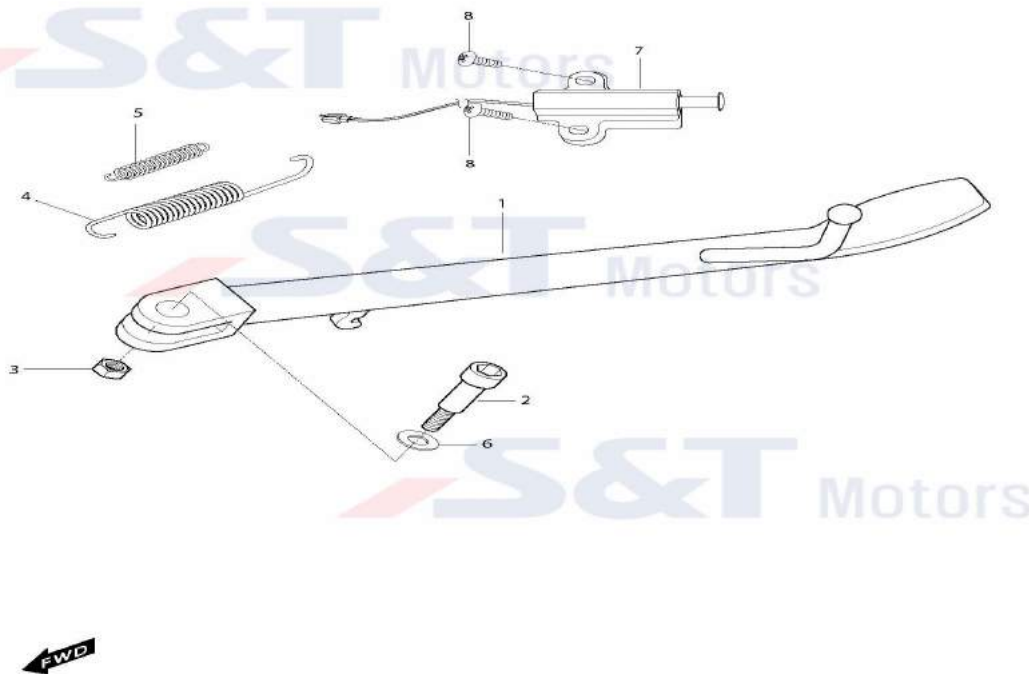
FIG 14



SEQ	PART CODE	PART NAME	U/S	REMARK
1	16400HN9102	PUMP ASS'Y,OIL (GT650)	1	
2	16331HN9104	GEAR OIL PUMP (TE450)	1	
3	09261H06001	PIN,OIL PUMP DRIVE GR (GT650)	1	
4	08331-31389	CIRCLIP,OIL PUMP DRV GR(GT650)	1	
5	02112-06258	SCREW (GV650)	3	
6	16520HN9100	STRAINER COMP,ENGINE OIL(GT650)	1	
7	02112-95126	SCREW,ENGINE OIL STATER	2	
8	16523HN9100	CAP,OIL STRAINER (GT650)	1	
9	09280H82001	O-RING,OIL STRAINER CAP(GT650)	1	
10	01547-06208	BOLT,OIL STRAINER CAP	3	
12	09168H14003	GASKET,OIL CHECK PLUG (SB)	1	
13	16510HN9101HAS	FILTER COMP,ENGINE OIL (GT650)	1	
14	09280H16001	O-RING,OIL FILTER (GT650)	1	
15	16512HN9101121	CAP,OIL FILTER (GT650R)	1	M/C COLOR:SBK
15-1	16512HN91200BF	CAP,OIL FILTER (GV650)	1	M/C COLOR:PR,ST
16	09280H69001	O-RING,OIL FILTER CAP (GT650)	1	
17	09440H18001	SPRING,OIL FILTER CAP (GT650)	1	
18	01421-06128	STUD BOLT,OIL FIL	2	

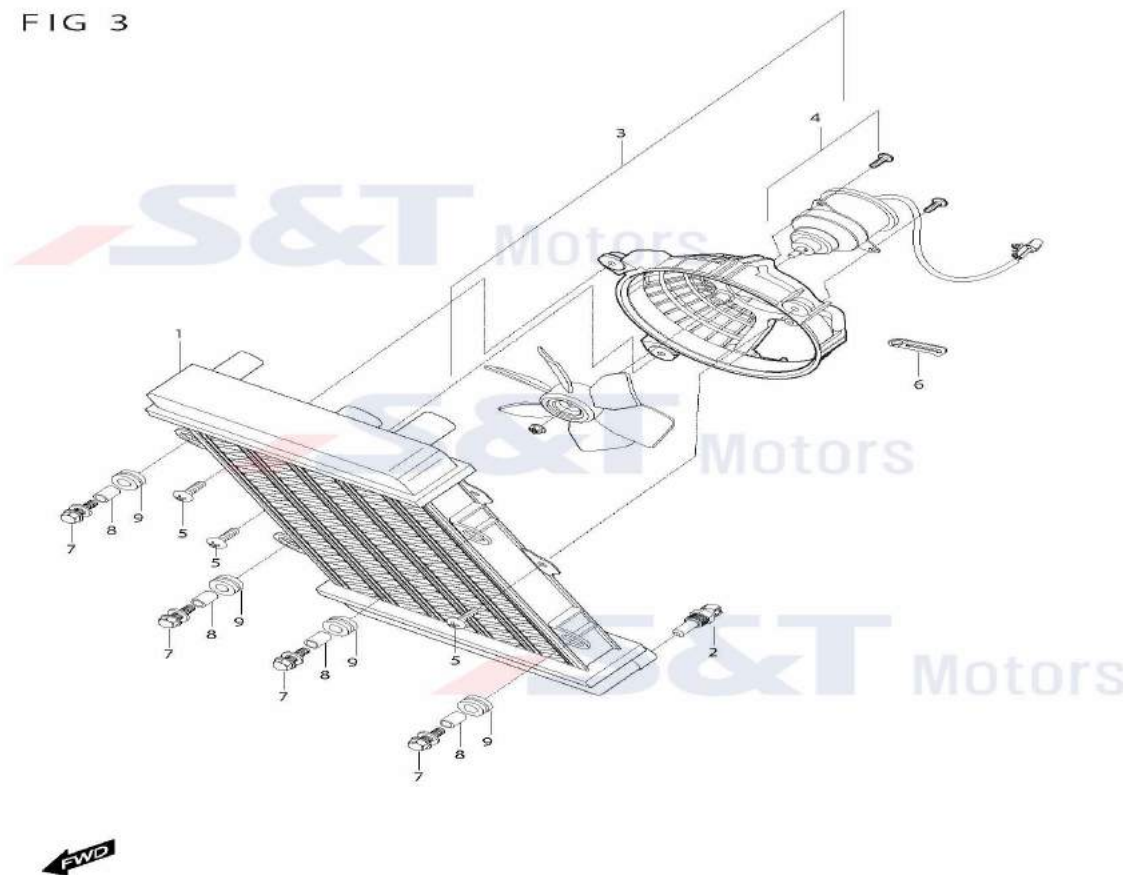
19	08313-11068	NUT	3
20	01421-06758	BOLT,OIL FILTER CAP STUD(GT650	1
21	08331-31389	CIRCLIP,OIL PUMP DRV GR(GT650)	1
22	08221-10185	SHIM,OIL PUMP DRVN GEAR (GT650	1
23	16321HN9103	GEAR,OIL PUMP DRIVE (GT650)	1
24	09261H06001	PIN,OIL PUMP DRIVE GR (GT650)	1

FIG 31



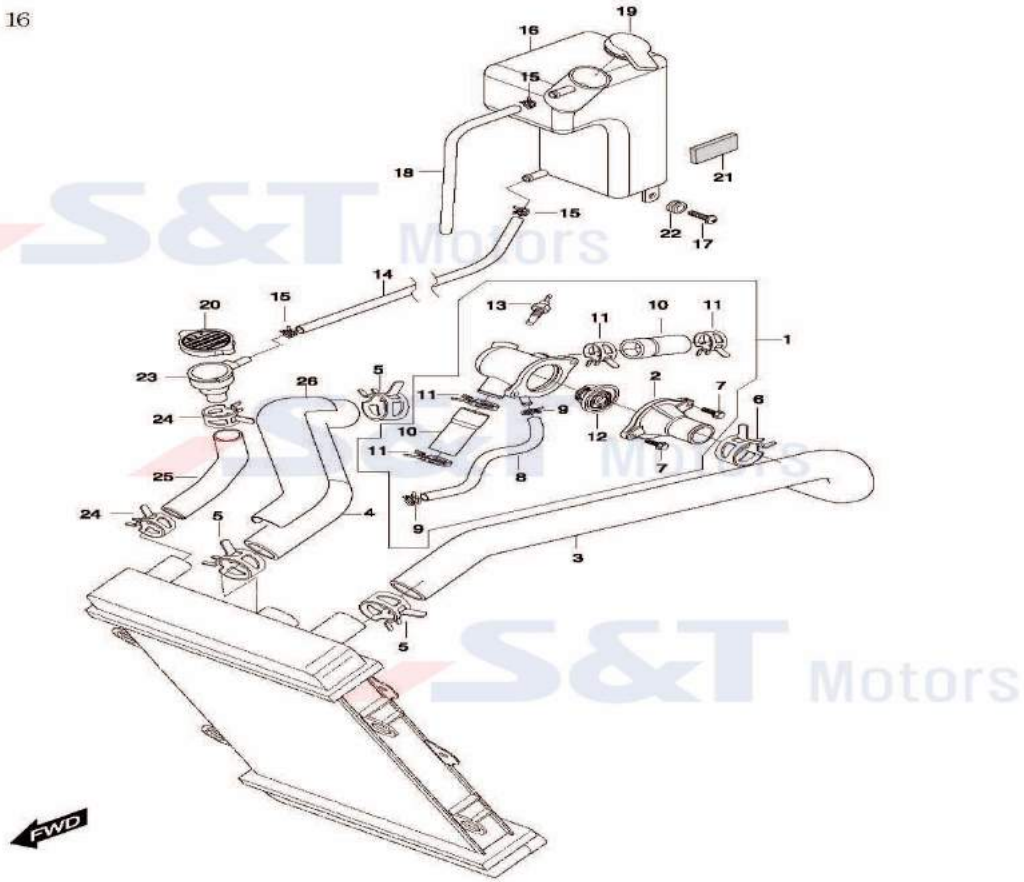
SEQ	PART CODE	PART NAME	U/S	REMARK
1	42310HP9504PLT	STAND COMP,PROP (GV650P)	1	=42310HP9501PLA
1-1	42310HP9504120	STAND COMP,PROP "BLACK"(GV650)	1	MY 14 (November, 2013~)
2	09111H10052	BOLT,PROP STAND (GV650)	1	
3	08310-22106	NUT,PROP STAND (GV)	1	
4	09443-15047	SPRING,CENTER STAND	1	
5	09443-06001	SPRING,PROP STAND INN(SB-FN02)	1	
6	08221-12225	SHIM PROP STANDER (GD)	1	
7	37840HP9500	SWITCH ASSY,SIDE STAND (GV650)	1	
8	01517-06206	BOLT,FUEL COCK	2	

FIG 3



SEQ	PART CODE	PART NAME	U/S	REMARK
1	17710HP9500	RADIATOR COMP,WATER (GV650)	1	
1-1	17710HP9501	RADIATOR COMP,WATER (GV650)	1	KM4VR54A3D1500260~(02.2013~)
1-2	17710HP9502	RADIATOR COMP,WATER (GV650)	1	
2	17860HN9100	SWITCH ASS'Y,THERMO (GT650)	1	
3	17800HN9110	FAN ASS'Y,RADIATOR (GT650)	1	=17800HN9104~-03=~02
4	17810HN9100	MOTOR ASS'Y,RADIATOR FAN(GT650)	1	
5	02142-05165	SCREW,HANDLE COVER NO1	3	
6	09404-06401	CLAMP,OIL HOSE	1	
7	09116-06143	BOLT OIL COOLER (GSX)	4	
8	09180-06011	SPACER,BATT HOLE	4	
9	09320H10006	CUSHION,RADIATOR (GV650)	4	

FIG. 16

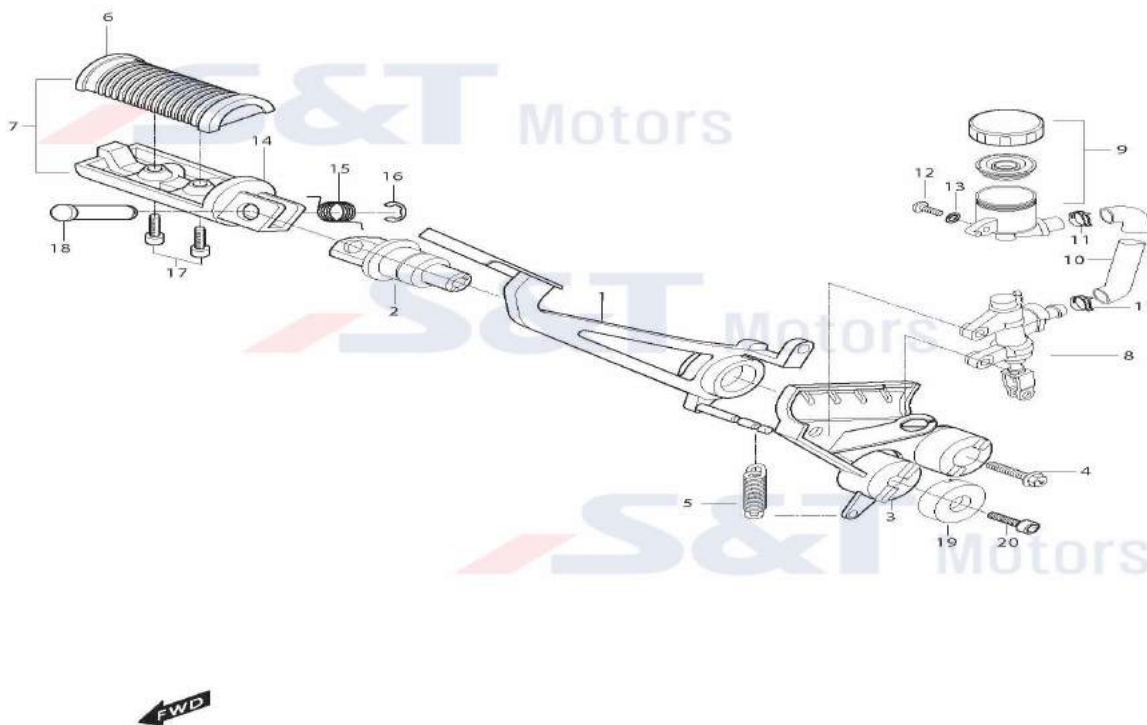


-17-

SEQ	PART CODE	PART NAME	U/S	REMARK
0	17610HP9300HPA	THERMOSTART ASS'Y (GT650FI)	1	
0-1	17610HP9310HPA	THERMOSTART ASS'Y(BLACK)(GV650)	1	MY 14 (November, 2013~)
1	17621HP93000S1	CONNECTOR,THERMOSTAT INLET(GT)	1	
1-1	17621HP9300121	CONNECTOR,THERMOSTAT (GV650)	1	MY 14 (November, 2013~)
2	17631HN91000S1	CAP,THERMOSTART CONNECTOR(GT65)	1	
2-1	17631HN9100121	CAP,THERMOSTART (GV650)	1	MY 14 (November, 2013~)
3	17741HP9501	HOSE,RADIATOR INNER (GV650)	1	
4	17751HP9501	HOSE,RADIATOR OUTLET (GV650)	1	
5	09401H26402	CLAMP,WATER PUMP HOSE (GT650)	3	
6	09401H31402	CLAMP,RADIATOR INLET HOSE(GT65)	1	
7	01547-06208	BOLT,OIL STRAINER CAP	2	
8	17641HN9100	HOSE,THERMOSTART BYPASS(GT650)	1	
9	09401H13401	CLAMP,THERMOSTAT BYPASS HOS	2	
10	17661HN9100	HOSE,CONNECTOR INLET (GT650)	2	
11	09401H24402	CLAMP,CONNECTOR INLET HOSE(GT6)	4	
12	17610HN9100	THERMOSTART COMP (GT650)	1	

13	17650HP9300	SENSOR,WATER TEMP&GUAGE(GV650F	1
14	17981HP9501	HOSE,RESERVER TANK (GV650)	1
15	09401H11403	CLAMP,RESERVER TANK (GT650)	3
16	17911HP9503	TANK,RESERVER (GV650)	1
17	09136-06017	SCREW,AIR CLENR	1
18	52533HN9160	HOSE,F/TANK & PURGE VALVE(GT65	1
19	17921HN9100	CAP,RESERVER TANK (GT650	1
20	17720HN9100	CAP,RADIATOR (GT650)	1
21	17912HN9100	CUSHION,RESERVER TANK (GT650)	2
22	09320-09016	CUSHION,TOOL HOLDER	1
23	17731HP9500	CASE,RADIATOR CAP (GV650)	1
24	09401H13401	CLAMP,THERMOSTAT BYPASS HOS	2
25	17771HP9501	HOSE,RADITOR CAP CASE (GV650)	1
26	17780HP9500PLA	COV,RADIATOR OUTLET HOSE(GV650	1 □ COLOR : PR, ST
26	17780H79B00PAM	COV,RADIATOR OUTLET HOSE(GV650	1 □ COLOR ; SBK
27	68170HN9100	LABEL,RADIATOR (GT650)	1
28	17622HN9102	UNION,THERMOSTAT CONNEC(GT650)	1
29	07110-06108	BOLT,TAIL COVER (GV650)	1
30	17680HN9101	UNION COMP,CONNECTOR (GT650	2
31	09280H19001	O-RING,CONNECTOR HOSE UNION(GT	2
32	17705HP9503	CAP COMP,RADIATOR (GV650)	2

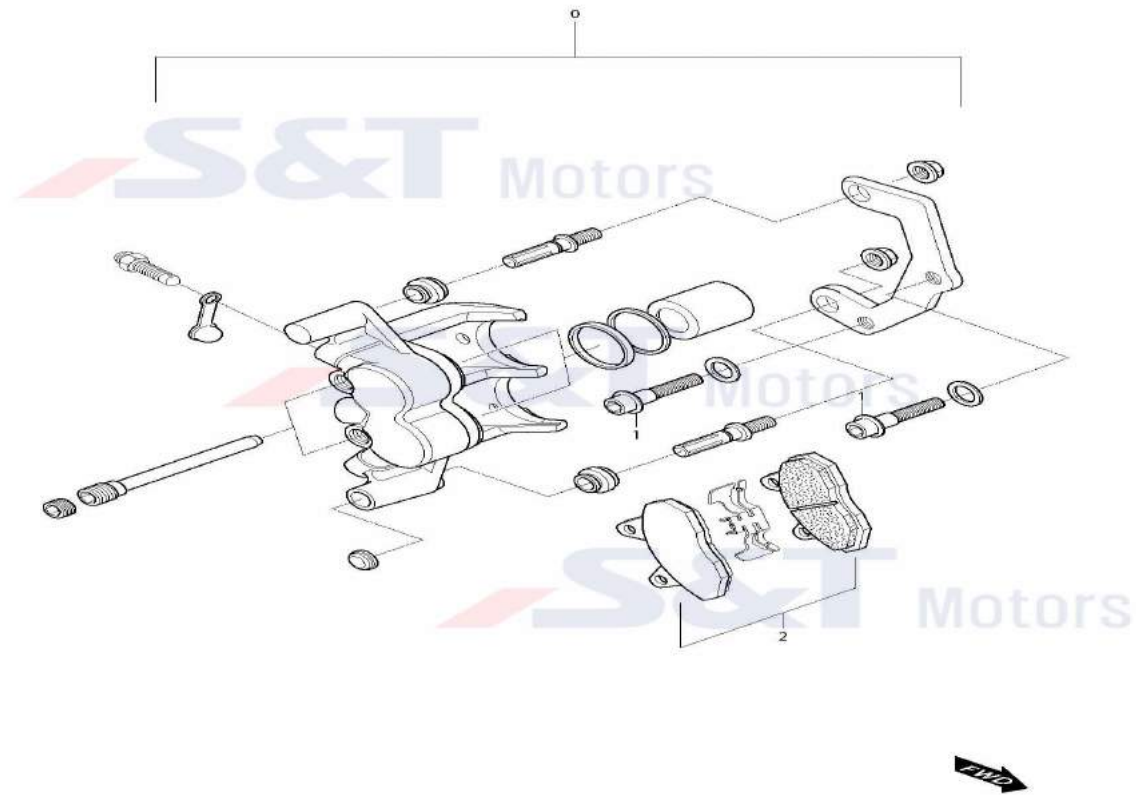
FIG 32



SEQ	PART CODE	PART NAME	U/S	REMARK
1	43110HP9502PLT	BRAKE COMP,PEDAL (GV650)	1	
2	43510HP9502PLT	BOSS,FRONT FOOTREST (GV650)	2	=43510HP9502PLA
3	43580HP9502PLA	BRACKET,FT FOOTREST R (GV650)	1	
4	09103H10758	BLT,SUSPENSION UPP ARM R(TE450)	1	
5	09443H10011	SPRING,BRAKE PEDAL (GV650)	1	
6	43550H93B00	RUBBER COMP	1	
7	43501HP9500	FOOTREST ASSY,FRONT R (GV650)	1	
8	69609HP9503	CYL SET,REAR MASTER (GV650)	1	Material ; MFZnNi8-B
8-1	69609HP9504	CYL SET,REAR MASTER (GV650P)	1	KM4VP62A7D1500387~(11.2012~)
9	69800HN9100	TANK SET,RESERVER (GT650)	1	
11	09400H13001	CLAMP,RESERVER TANK HOSE(GT250)	1	
12	01517-06168	BOLT,STEERING LOCK (SD)	1	
13	08321-31108	LOCK WASHER CENTER STAND (GD)	1	
14	43571HP9500	BAR,FRONT FOOTREST R (GV650)	1	
15	09448H16001	SPRING (GA)	1	
16	08332-11106	E-RING FOOTREST RH/LH (GA)	1	
17	07110-06128	BOLT,SEAT LOCKER	2	

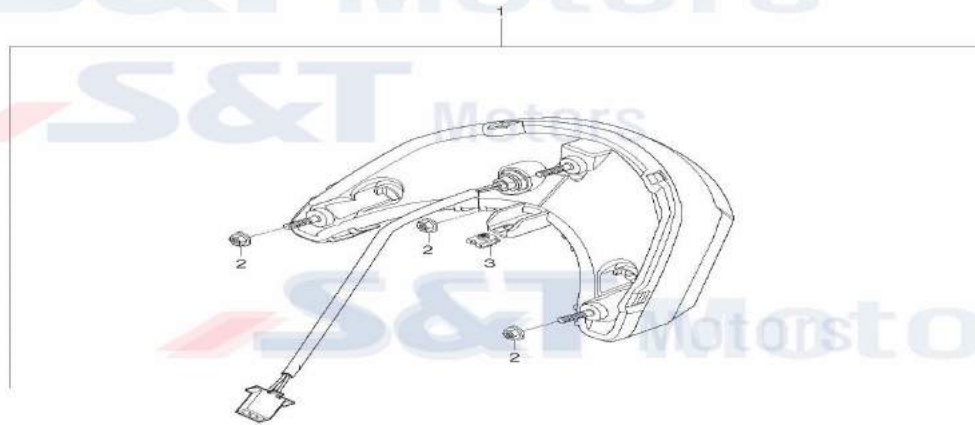
18	09200H12001	PIN (GV250N)	1
19	43572HP9500PLA	CAP FRONT FOOTREST BOSS(GV650)	1
20	07110-10258	BOLT,FRONT FOOTREST BRACKET	1

FIG 52



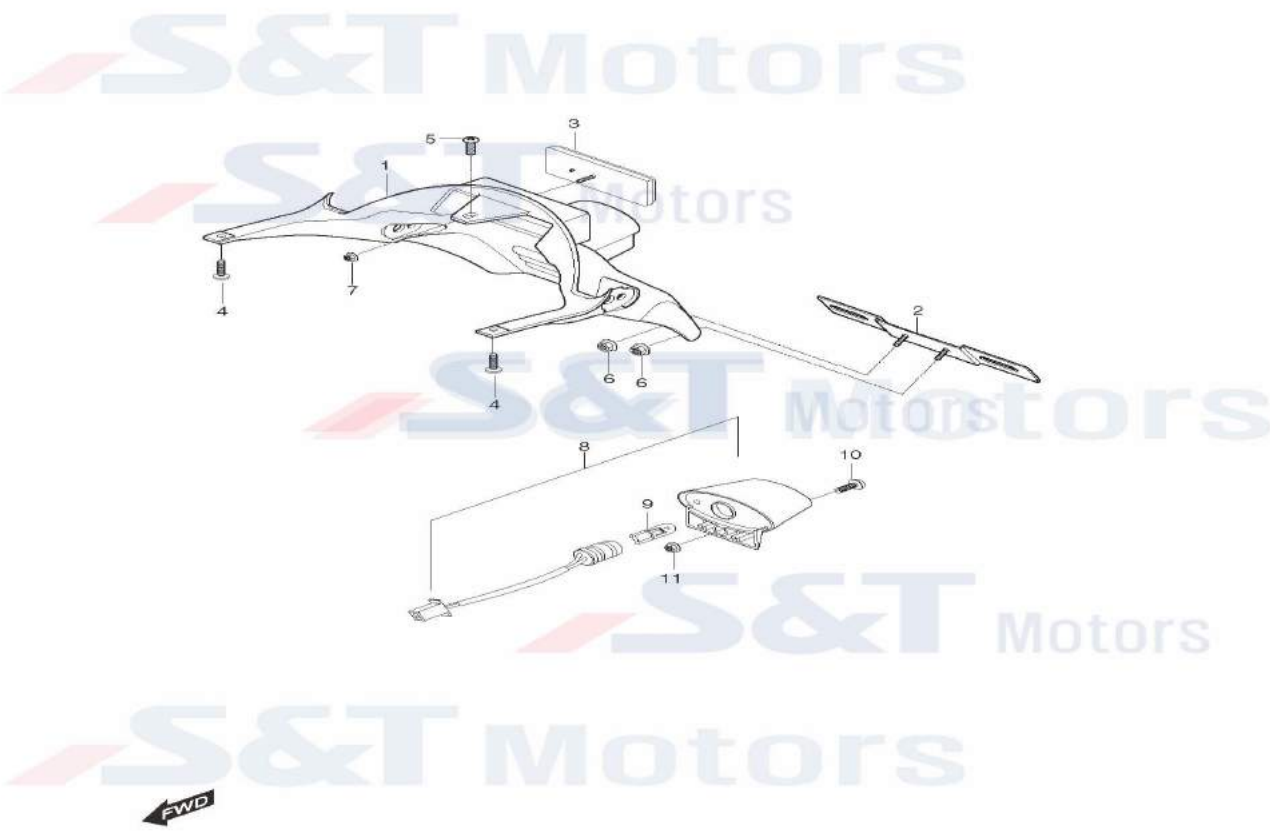
SEQ	PART CODE	PART NAME	U/S	REMARK
0	69300HN9102	CALIPER ASSY,REAR BRAKE(GT650	1	
1	07110-08358	BOLT,PILLION RIDER	2	
2	59301HP9500	PAD SET(8.4T) (GV650)	1	

FIG 29



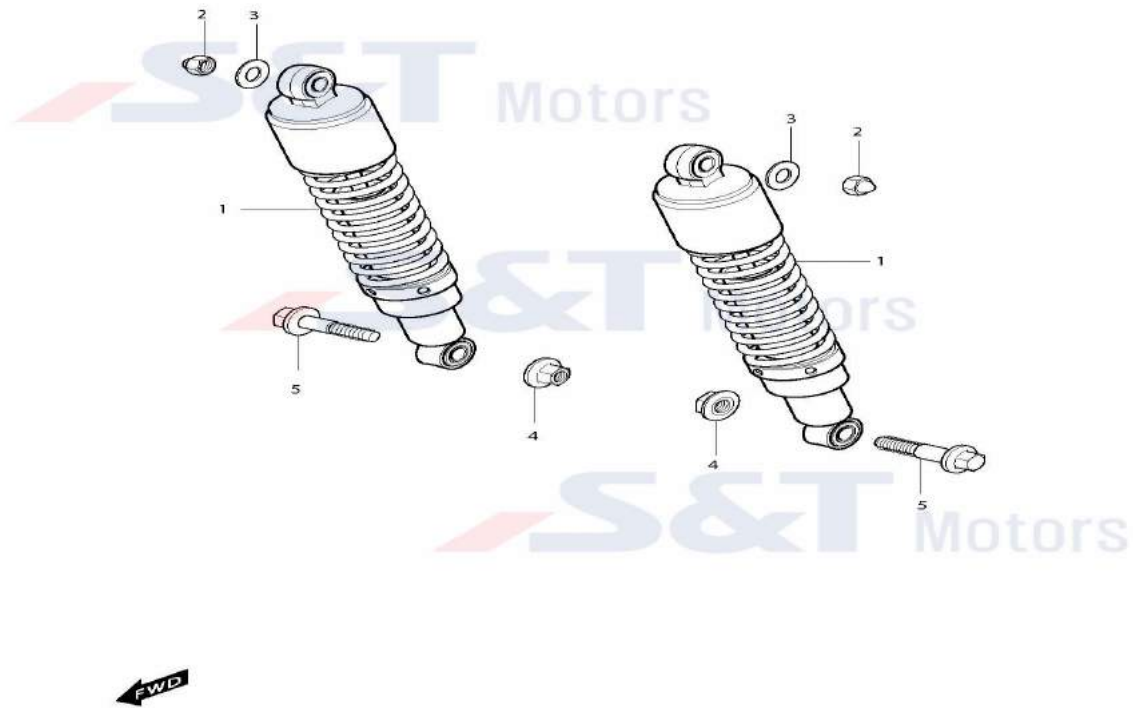
SEQ	PART CODE	PART NAME	U/S	REMARK
1	35710HA9800	LAMP,TAIL STOP (GV650P)	1	
2	08316-26066	NUT,REAR COMBI LAMP	3	
3	09148-05020	NUT,LEG SHIELD COVER (EZ,GD)	1	

FIG 50



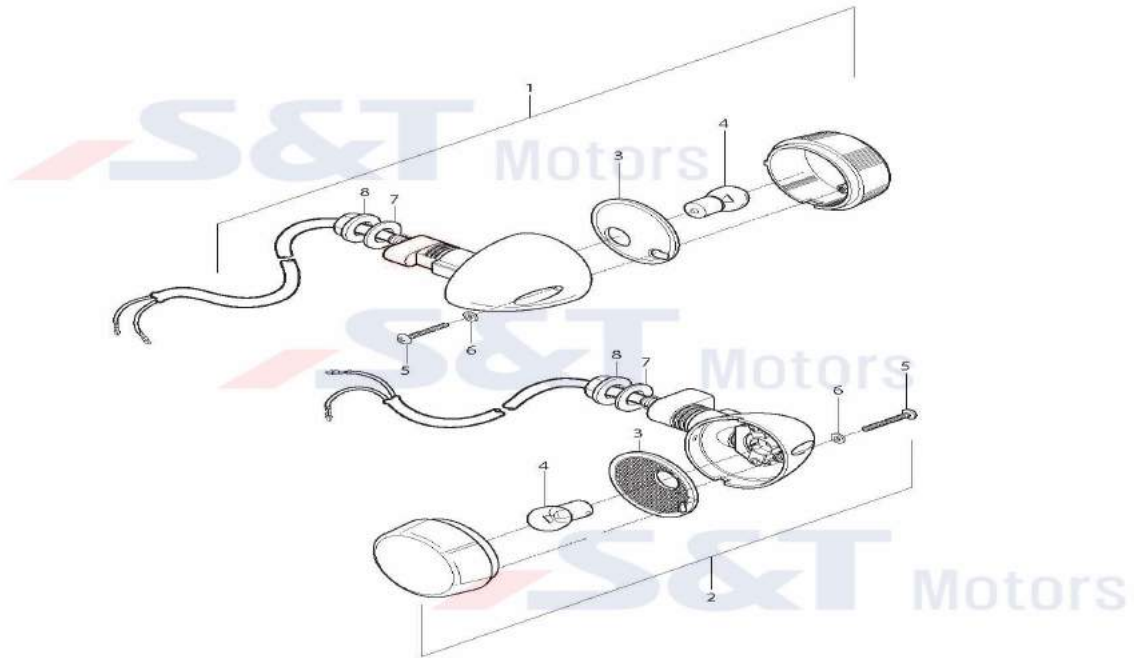
SEQ	PART CODE	PART NAME	U/S	REMARK
1	63111HA980012A	FENDER REAR (GV650P)	1	
2	35927H44430	BRACKET,LICENSE PLATE (GPS)	1	
3	35970-17303	REFLEX,REFLECTOR ASS'Y,REAR(FX	1	
4	03241-04125	SCREW,BATTERY COVER	2	
5	02142-05125	SCREW,HANDEL COVER FRONT&REAR	1	
7	08316-26055	NUT,FRONT TURN SIGNAL LAMP	4	
8	35910HP7600	LAMP ASSY,LICENSE PLATE (GT)	1	
9	09471-12110	BULB,POSITION LAMP(12V W5W)(GA	1	
10	02112-05205	SCREW,LICENSE LAMP (GT650RN)	1	
11	08310-11055	NUT,REAR REAR	1	
12	09160-05017	WASHER,REAR FENDER	1	

FIG 49



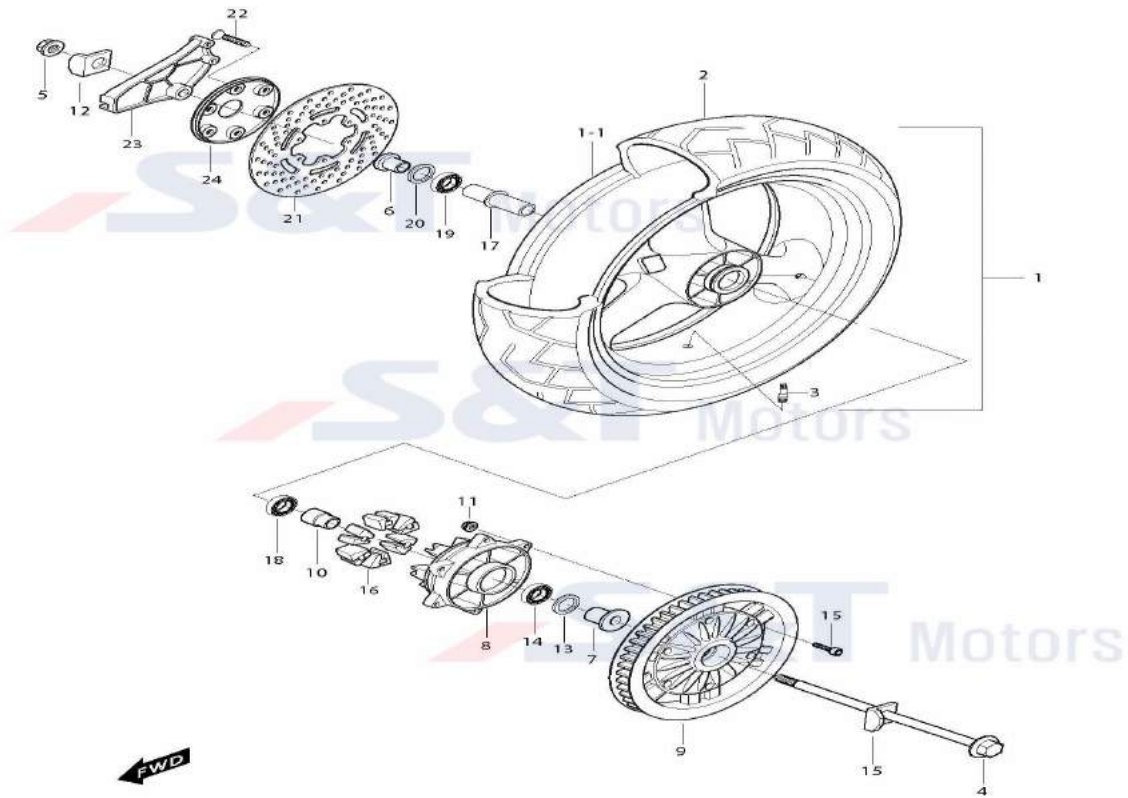
SEQ	PART CODE	PART NAME	U/S	REMARK
1	62100HP9502	REAR SHOCK ABSORBER (GV650)	2	
1-1	62100HA9800	REAR SHOCK ABSORBER (GV650)	2 [2012/11/22]	
2	08313-11107	NUT,SORBER LOW(BLIND NNUT)	2	
3	09160-10001	WASHER,SORBER	2	
4	08316-26128	NUT,MAGNET FLY	2	
5	62311-05350	BOLT,REAR ABSORBER LOWER	2	

FIG.27-1



SEQ	PART CODE	PART NAME	U/S	REMARK
1	35603HP9501	LAMP,REAR TURNSIGNAL R (GV650)	1	
2	35604HP9501	LAMP,REAR TURNSIGNAL L (GV650)	1	
3	35614HP9500	REFLECTOR,T/SIG LAMP (TE450)	2	
6	35609H93B00	VINYL WASHER,T/SIGNAL	2	
7	09160-06019	WASHER	2	
8	08316-26066	NUT,REAR COMBI LAMP	2	

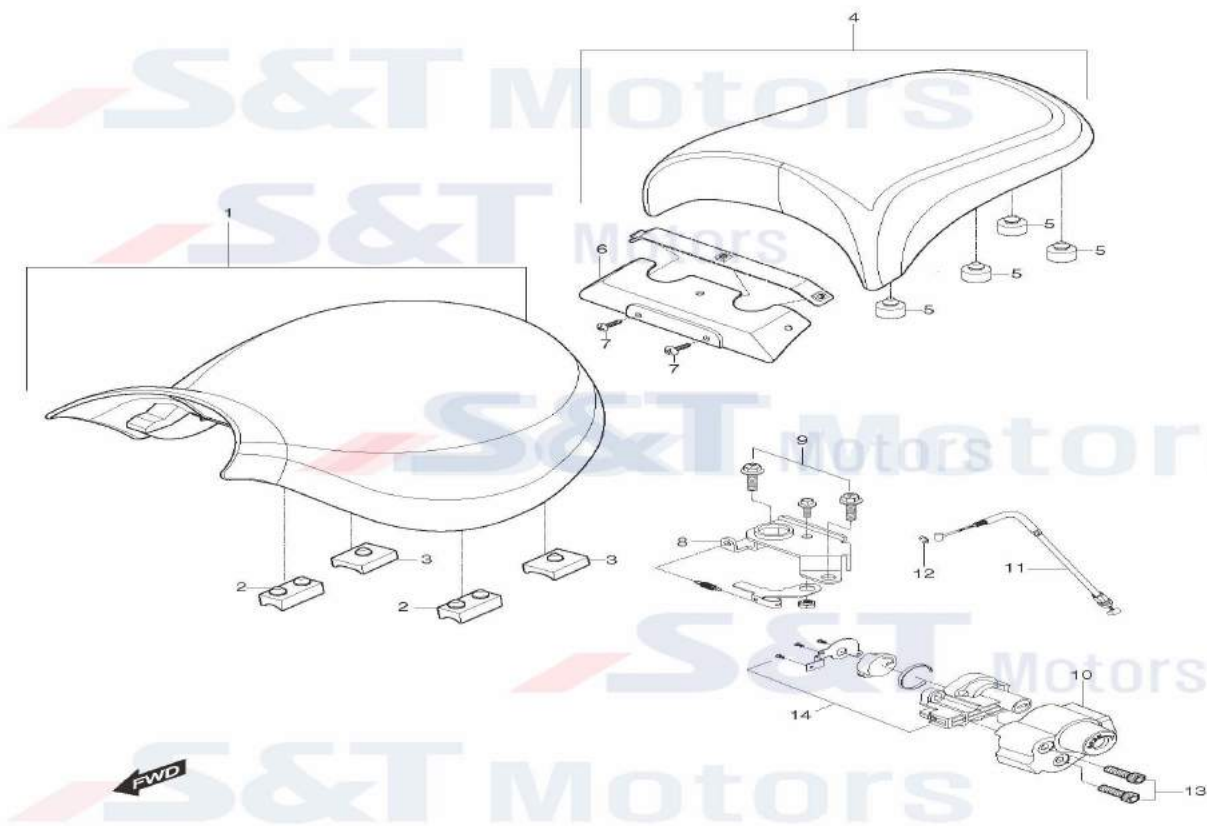
FIG 51



SEQ	PART CODE	PART NAME	U/S	REMARK
1	64150SP9510HPA	WHEEL+TIRE REAR(BLACK) (GV650)	1	
1-1	64150HP9501120	WHEEL COMP,REAR (GV650)	1	BLACK
2	65100HP9500	TIRE COMP,REAR (GV650)	1	
3	55220-29C20	VALVE ASS'Y	1	
4	64711HP9501	AXLE,REAR (GV650)	1	
5	09159H16002	NUT,REAR AXLE (GT250)	1	
6	64752HP9500	SPACER,REAR AXLE R (GV650)	1	
7	64751HP9501	SPACER,REAR AXLE L (GV650)	1	
8	64611HP9501120	DRUM,REAR SPROCKET MTG (GV650)	1	
9	64510HP9502	PULLEY COMP,BELT DRIVEN(GV650)	1	
10	64733HP9500	RETAIN,REAR MTG DRUM (GV650)	1	
11	08319-31088	NUT,PILLION FOOTREST	6	
12	61411HN9100	PLATE,CHAIN ADJUSTER R (GT650)	1	
13	09285-28001	OIL SEAL REAR DRUM	1	
14	08133-62047	BEARING,REAR SPROCKET DRUM(GT)	1	
15	07110-08408	BOLT,REAR PULLEY (GV650)	6	
16	64651HM8101	HUB,S/ABSORBER (GT650)	6	

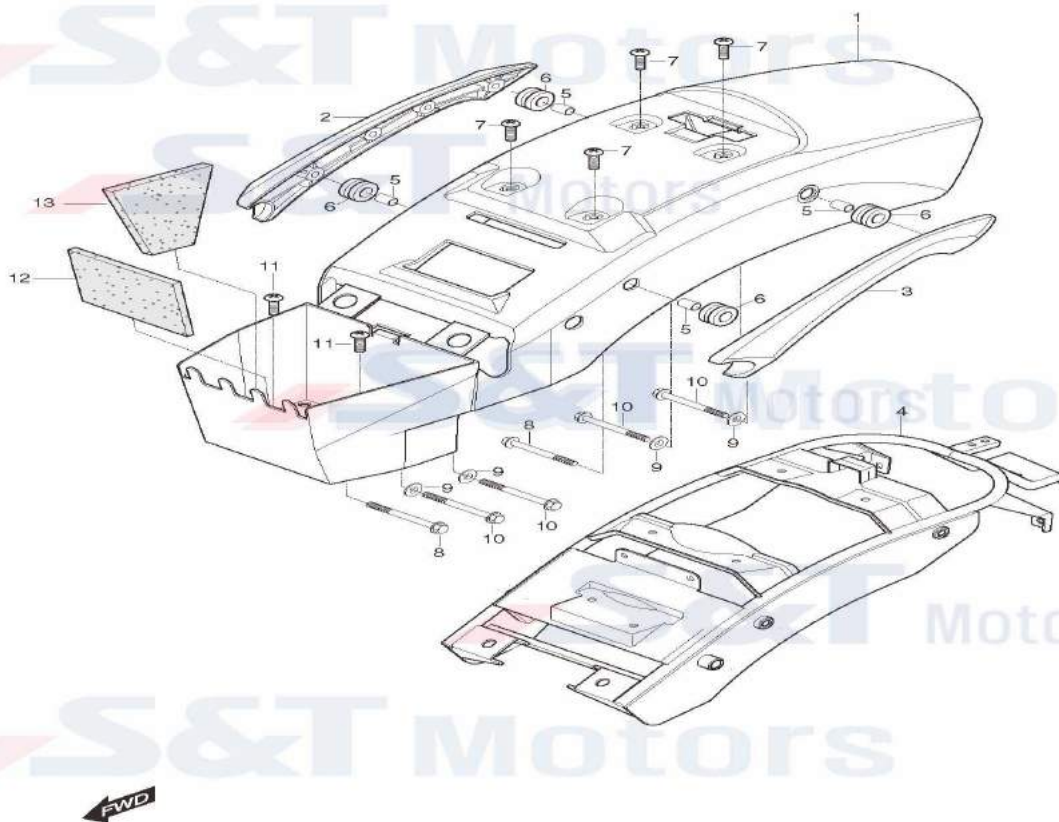
17	64730HP9500	SPACER COMP,REAR HUB (GV650)	1
18	08133-62037	BEARING,REAR HUB R/L (RT125	1
19	08123-63037	BEARING REAR WHEEL (GV250)	1
20	09283H25002	OIL SEAL,FRONT BEARING (GV650)	1
21	69211HP9503	DISK,REAR BRAKE (GV650)	1
22	07120-08258	BOLT,GRIP HANDLE (GT250RN)	6
23	69340HP9502120	CARRIER,CALIPER (GV650)	1 BLACK
24	59240HP9500	COVER,REAR DISK (GV650)	1

FIG 35



SEQ	PART CODE	PART NAME	U/S	REMARK
1	45100HA9800	SEAT SET,FRONT (GV650P)	1	
2	45176HP9500	CUSHION,SEAT FRONT (GV650)	2	
3	45177HP9500	CUSHION, SEAT REAR (GV650)	2	
4	45200HA9800	SEAT SET, REAR (GV650P)	1	
5	45192HG5100	CUSHION,REAR SEAT (GV)	4	
6	45133H99D00	BRACKET,FRONT SEAT HOOK(GV700C	1	
7	01517-06205	BOLT,SPORT CARRIER (FX)	2	
8	95700H93B30	LOCK ASS'Y,SEAT&HELMET (GA12	1	
9	01517-06166	BOLT,STEERING LOCK (GV)	2	
10-1	45300HA9800CR	COVER, SEAT LOCK KEY ASS'Y LH	1	M/C COLOR ; PR, ST
10-2	45300HA9800125	COVER, SEAT LOCK KEY ASS'Y LH	1	M/C COLOR ; SBK
11	45280HA9800	CABLE COMP, SEAT LOCK (GV650P)	1	
12	08332-11056	E/RING SEAT LOCK CABLE (GA)	1	
13	01547-06458	BOLT,CLUTCH COVER	2	

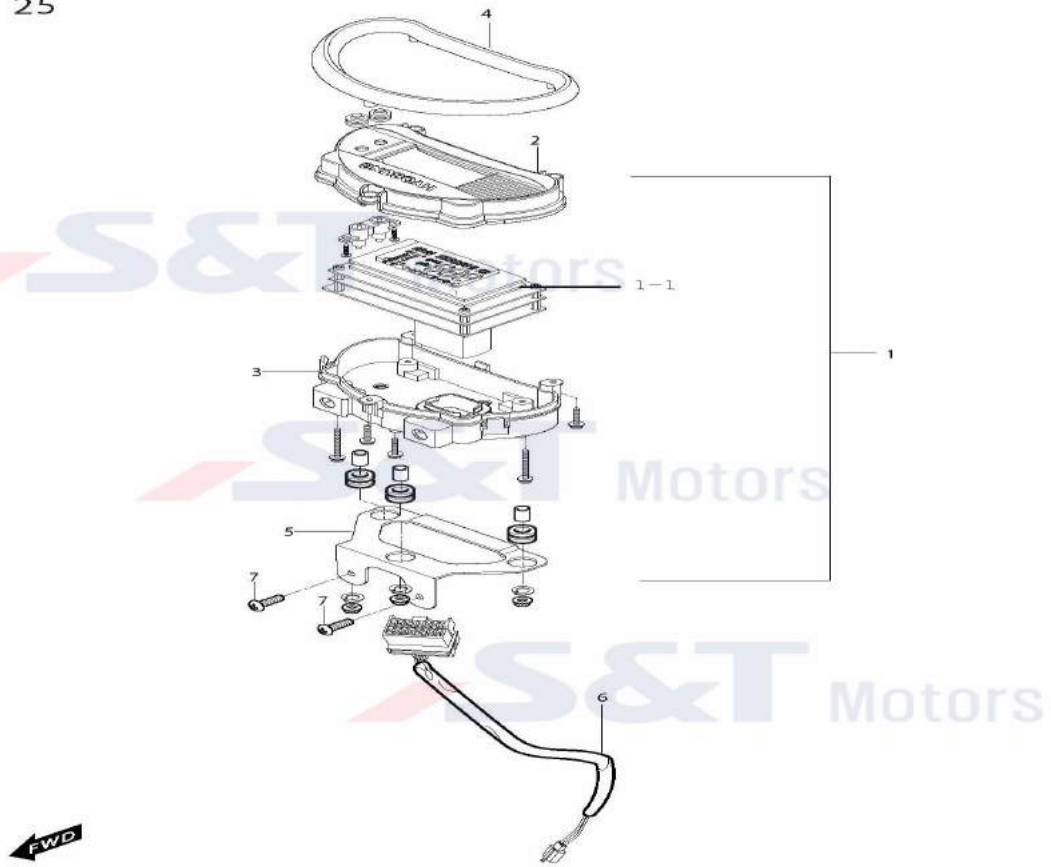
FIG 37



SEQ	PART CODE	PART NAME	U/S	REMARK
1	45511HA9801TBK	COVER,SEAT TAIL (GV650P)	1	
1-2	45511HA9802TBK	COVER,SEAT TAIL (GV650P)	1	04.2012~
1	45511HA9801TPR	COVER,SEAT TAIL (GV650P)	1	
1-1	45511HA9802TPR	COVER,SEAT TAIL (GV650P)	1	04.2012~
1	45511HA9801TST	COVER,SEAT TAIL (GV650P)	1	
1-4	45511HA9802TST	COVER,SEAT TAIL (GV650P)	1	04.2012~
2	63511HP9505CR	PILLION,RIDER RH (GV700C)	1	M/C COLOR:PR,ST
2-1	63511HP9505121	PILLION,RIDER RH (GV650P)	1	M/C COLOR:SBK
3	63521HP9505CR	PILLION,RIDER LH (GV700C)	1	M/C COLOR:PR,ST
3-1	63521HP9505121	PILLION,RIDER LH (GV650P)	1	M/C COLOR:SBK
4	45520HA9800	BRACE,SEAT TAIL (GV650P)	1	
5	09180H08129	SPACER,SIDE COVER & CARRIER(S	4	
6	09320-11008	CUSHION,LEG SHIELD	4	
7	02142-06165	SCREW,LEG SHIELD LOWER(GT250RN	4	
8	62311HP9502	BOLT,REAR SORBER UPPER (GV650)	2	
9	08321-21088	LOCK WASHER,TORQUE LINK	4	
10	02142-06165	SCREW,LEG SHIELD LOWER(GT250RN	4	

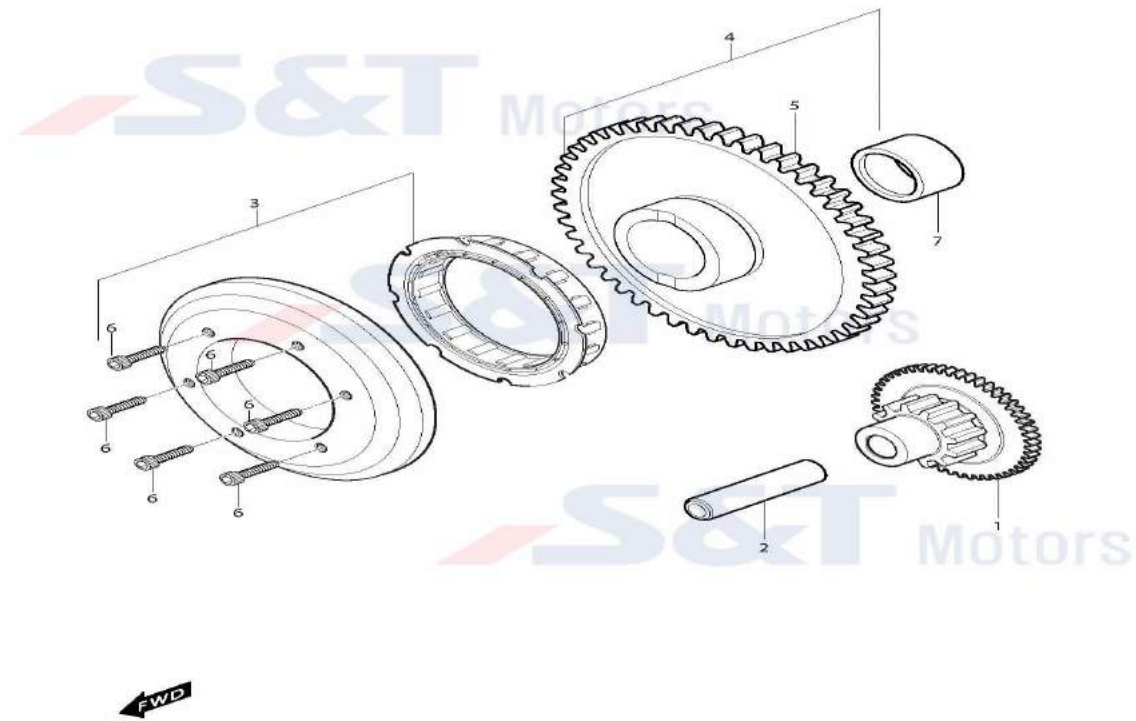
11	09106H06150	WRENCH BOLT 6*15MM (GT650)	2
12	33652H29101	CUSHION,BATTERY	1
13	63161HR9800	CUSHION,TAIL COVER (GV650FI)	1

FIG 25



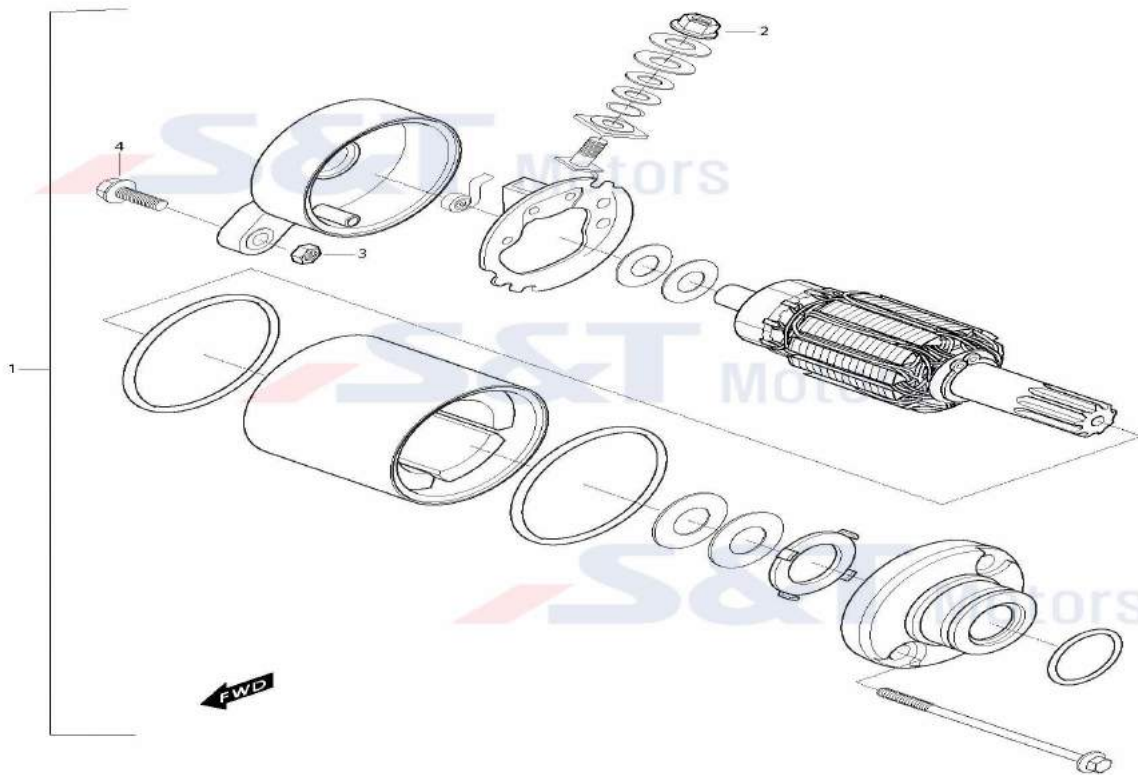
SEQ	PART CODE	PART NAME	U/S	REMARK
1	34100HR9850	SPEEDOMETER ASS'Y (GV650)	1	
1-1	34100HB9500	SPEEDOMETER ASS'Y (GV650P)	1	*DELPHI
1-2	34100HB9500125	SPEEDOMETER ASSY"BLACK"(GV650)	1	MY 14 (November, 2013~)
1-0-1	34111HR9800	SPEEDOMETER COMP (GV650FI)	1	
2	34150HP9500	WINDOWS CASE COMP (GV650)	1	
3	34160HP9500	CASE SUB,HOUSING (GV650)	1	
5	34950HP9500	BRACKET,SPEEDMETER (GV650)	1	
7	02112-95158	SCREW,HEAD LAMP	2	

FIG.7



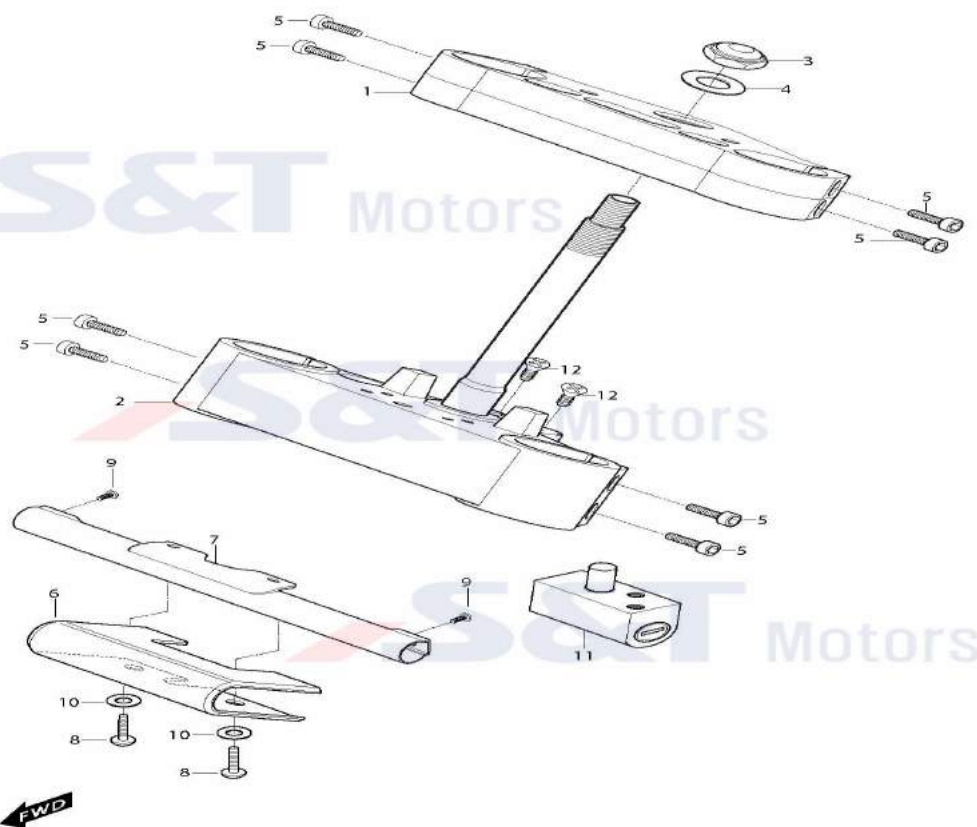
SEQ	PART CODE	PART NAME	U/S	REMARK
1	12611HN9100	GEAR,STARTER IDLE (GT650)	1	
2	09206-13003	PIN,STARTER IDLE GEAR	1	
3	12614HN9101	CLUTCH,STARTER ONE WAY (GV650)	1	
4	12620HN9102	GEAR COMP,STARTER CLUTCH(GT650)	1	
6	07110-08168	BOLT,STARTER CLUTCH (GD)	6	
7	09304H27001	BUSH,STARTER CLUTCH GEAR(GT650)	1	

FIG 21



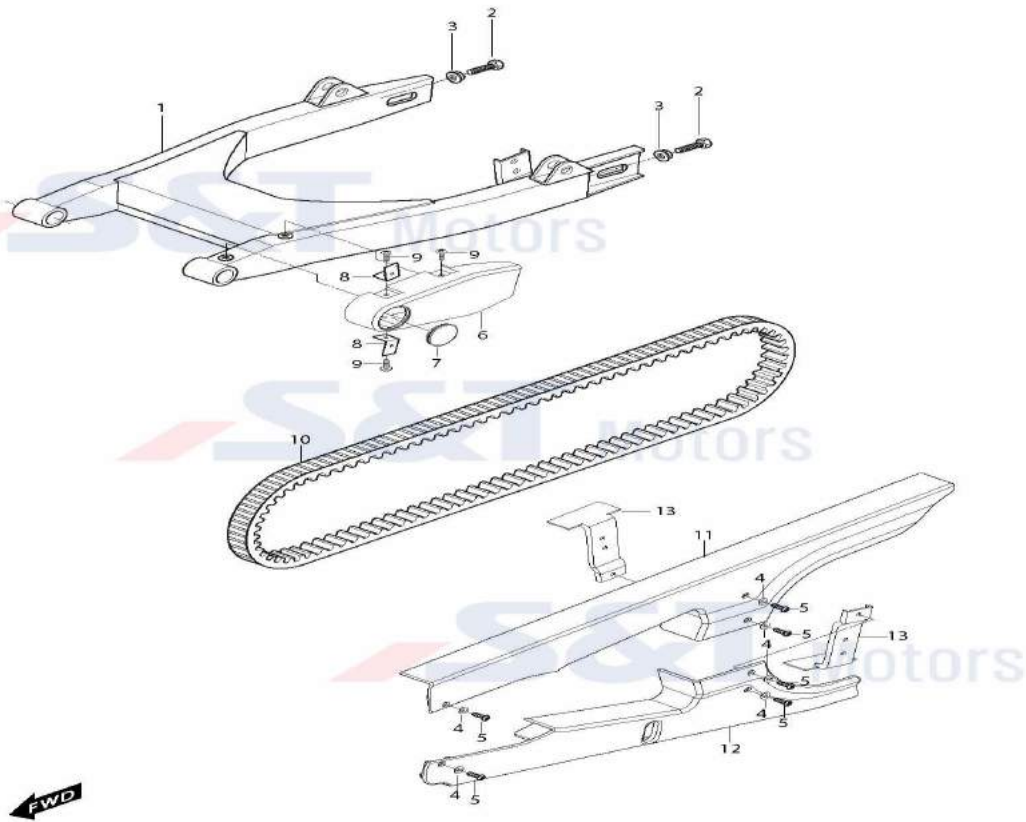
SEQ	PART CODE	PART NAME	U/S	REMARK
1	31100HN9100	MOTOR STARTER ASS'Y (GT650)	1	
1-1	31100H99D00	MOTOR STARTER ASS'Y (GT650)	1	NO NEED BRACKET
2	08316-16068	NUT (GV650)	1	
3	08313-21068	NUT, START'G MOTOR BRACKET (GT65)	2	
4	01547-06308	BOLT, MAGNET & CLUTCH COVER (EZ)	2	

FIG 39



SEQ	PART CODE	PART NAME	U/S	REMARK
1	51311HP9503CR	BRACKET,FRONT FORK UPPER(GV650	1	
1-1	51311HP9503121	BKT,FT FORK UPPE"BLACK" GV650	1	MY 14 (November, 2013~)
2	51410HP9500HPA	BRACKET,FT FORK UNDER (GV650)	1	include 51410HP9504CR (OLD)
3	51631HN9101	NUT,STEERING STEM UPPER(GT250	1	2012.11.29~
4	09166H25001	WASHER,STEERING STEM (GT650)	1	
5	07110-08258	BOLT,FRAME JOINT	4	
6	51710HP9501	COVER,TURNSIGNAL TUBE (GV650)	1	
7	51720HP9500PLA	TUBE,TURN SIGNAL (GV650)	1	
8	02142-06166	SCREW,BATTERY HOLDER (GV)	2	
9	02142-05128	SCREW,BATTERY COVER	2	NOT SALE
10	09169-06032	WASHER,REAR FENDER (GD)	2	
11	51900HP9500	LOCK ASS'Y,STEERING (GV650)	1	
12	02122-06128	SCREW,OL GR SH	2	

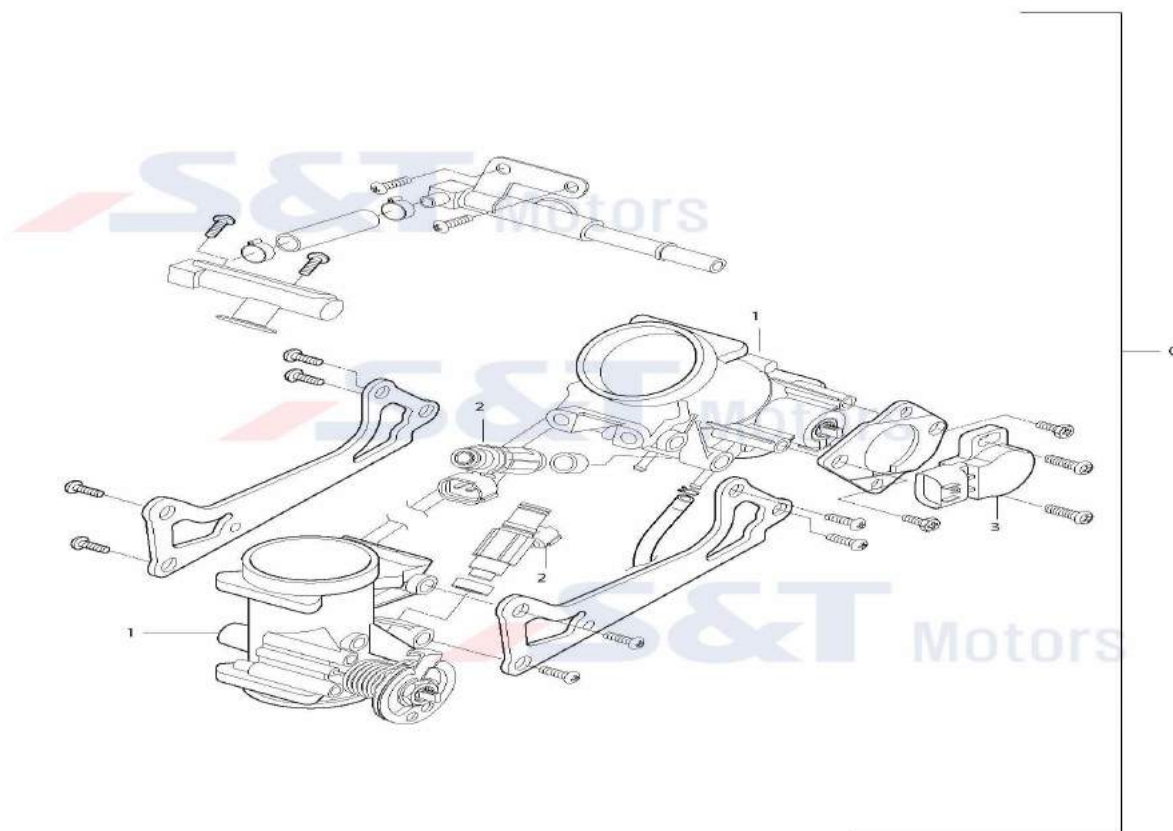
FIG 48



SEQ	PART CODE	PART NAME	U/S	REMARK
1	61100HP9503120	SWINGARM COMP,REAR (GV650FI)	1	
2	09103H08608	BOLT,CHAIN ADJUSTER (GT650)	2	
3	08316-16088	NUT,CYLINDER HEAD	2	
4	09169H06078	WASHER,FRONT FENDER (GT650)	6	
5	09106H06150	WRENCH BOLT 6*15MM (GT650)	6	
6	61250HP9502125	COVER,REAR SWINGARM (GV650P)	1	M/C COLOR:SBK
6-1	61250HP9502	COVER,REAR SWINGARM (GV650)	1	M/C COLOR:PR,ST
7	61260HP9504125	CAP,REAR SWINGARM COVER(GV650P)	1	M/C COLOR:SBK
7-1	61260HP9504	CAP,REAR SWINGARM COVER(GV650)	1	M/C COLOR:PR,ST
8	61313HP9503	PLATE,BELT CASE FRONT (GV700C)	2	
9	02142-06126	SCREW UPPER CABLE GUIDE NO1(GV	3	
10	27600HP9500	BELT, DRIVE 108L (GV650)	1	
11	61310H99D00CR	CASE,BELT UPPER (GV700C)	1	M/C COLOR:PR,ST
11-1	61310H99D00T25	CASE,BELT UPPER (GV650P)	1	
12	61320HP9503	CASE,BELT LOWER (GV650)	1	M/C COLOR:PR,ST
12-1	61320HP9503T25	CASE,BELT LOWER (GV650P)	1	
13	61316HP9502	PLATE,BELT CASE REAR (GV650)	2	

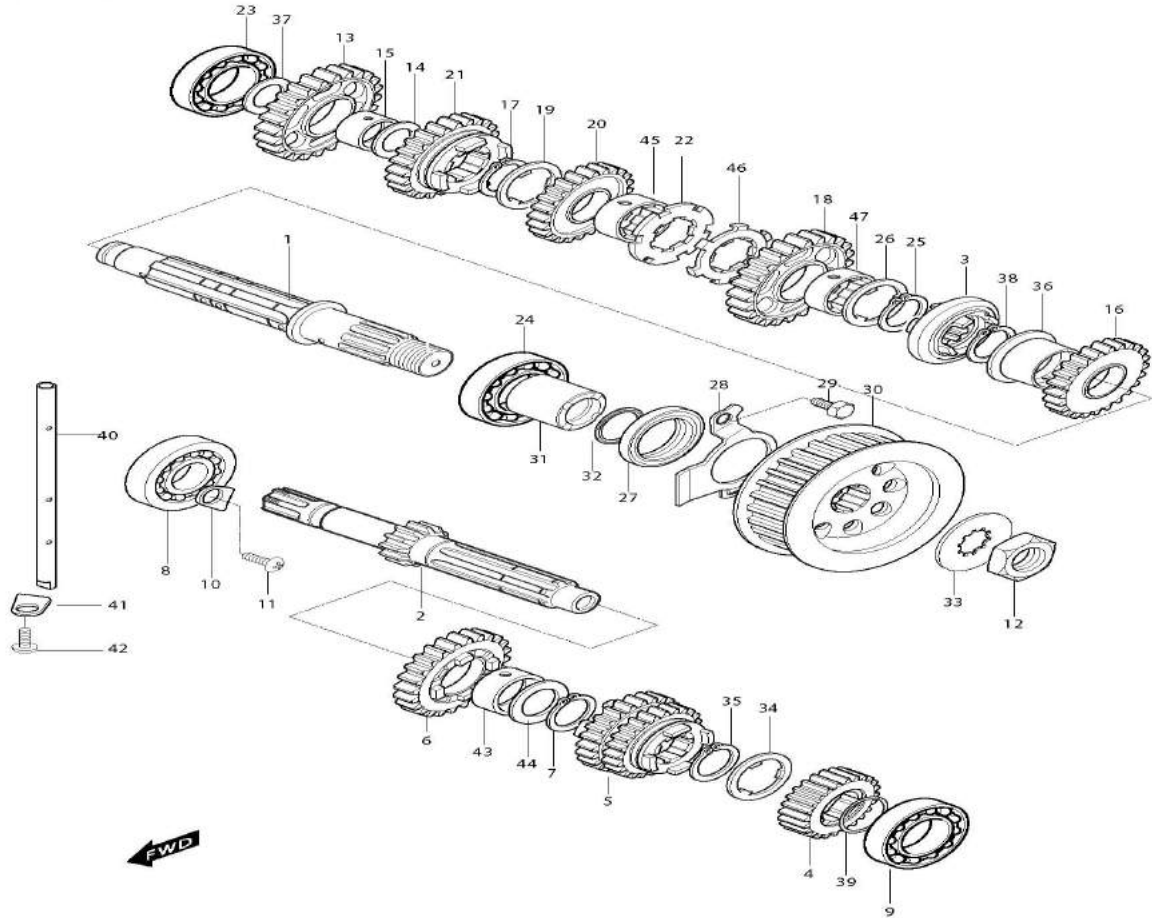
20	09263-22017	BEARING,REAR SWING	2
21	61251HP9501	SPCR,S/ARM PIVOT BEAR'G(GV650)	1
22	61252HN9100	SPACER,REAR S/ARM PIVOT(GT650)	1
23	08322-11148	WASHER (GV)	1
24	61262-45002	COVER,REAR S/ARM (GT250RN)	2

FIG 10



SEQ	PART CODE	PART NAME	U/S	REMARK
0	13400HP9312	BODY SET,THROTTLE (GT650RN)	1	=/13400HP9310
0-1	13400H89750	BODY,THROTTLE (GT650RN)	1	□BEU02 (25Kw)
0-2	13421HP9301	BRACKET,THROTTLE (GT650RN)	1	□8EU02 (25Kw)
0-3	09139H05014	SCREW,SPECIAL (GT650RN)	1	□8EU02 (25Kw)
0-4	13400H99D03	BODY SET,THROTTLE (GV650P)	1	=13400H99D01
0-4-1-1	15721HP9310	INJECTOR CAP,FRONT	1	
0-4-1-2	15722HP9310	INJECTOR CAP, REAR	1	
0-5	44211H99D10	HOSE,FUEL TANK BREATHER JOIN	1	=13450H99D00
0	13400HB97B3	BODY COMP,THROTTLE (GT650RN)	1	=13400HB97B0
2	15710HP9310	INJECTOR (GT650N)	2	
3	13580HP9310	SENSOR,THROTTLE POSITION(GT650)	1	

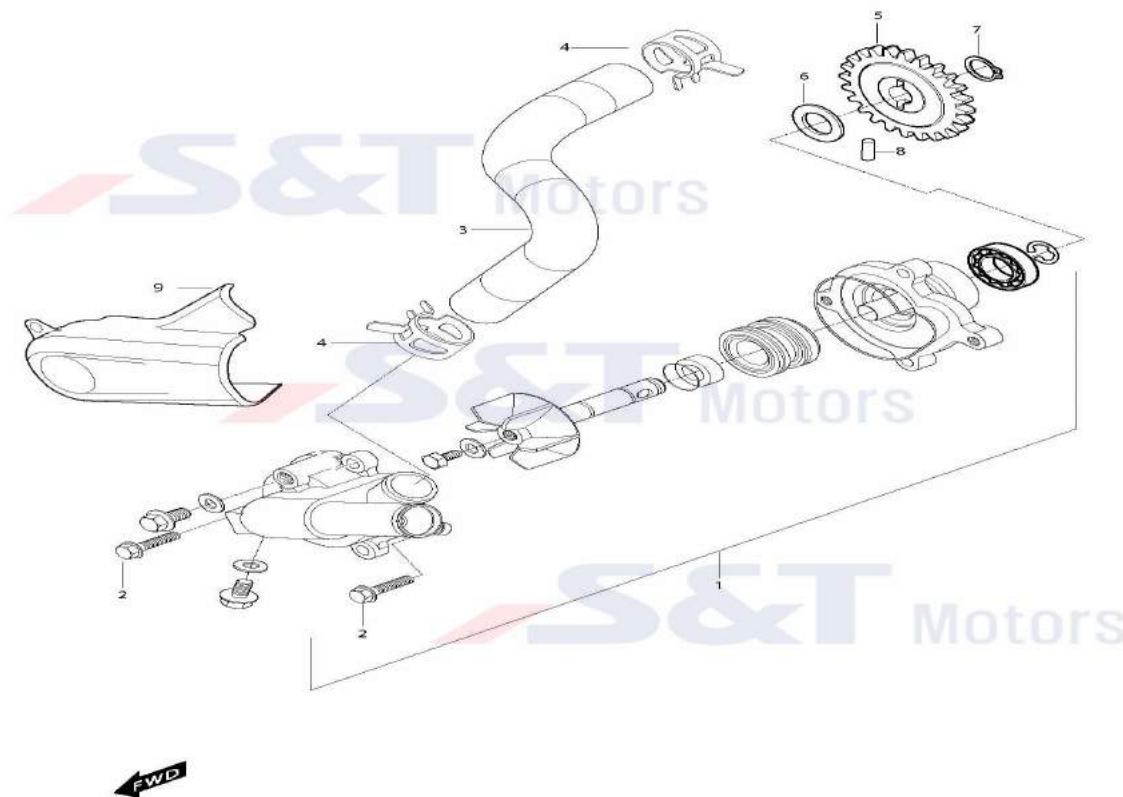
FIG.19



SEQ	PART CODE	PART NAME	U/S	REMARK
1	24130SP9500	SHAFT DRIVE COMP (GV650)	1	
2	24120SP9500	SHAFT COUNTER COMP (GV650)	1	
2-1	24121HP9500	SHAFT,COUNTER (GV650)	1	
3	24421HP9500	WHEEL,SLIDING DOG (GV650)	1	
4	24221HP9500	GEAR,2ND DRIVE (GV650)	1	
5	24231HP9500	GEAR,3RD&4TH DRIVE (GV650)	1	
6	24251HN9101	GEAR,5TH DRIVE (GT650)	1	
7	09380H25001	CLIP,CLUTCH HOUSING (GT650)	1	
8	08113-63040	BEARING,COUNTER SHAFT R(GT650)	1	
9	08123-62030	BEARING,DRIVE SHAFT L (KN110)	1	
10	24741HN9100	RETAINER,COUNTER SHAFT BG(GT65)	1	
11	02112-06128	SCREW,COUNTER SHAFT	1	
12	09159H20001	NUT,ENGINE SPROCKET (GT650)	1	
13	24311HN9100	GEAR,1ST DRIVEN (GT650)	1	
14	09181H20001	SHIM,1ST DRIVEN GEAR (GT650)	1	
15	24312HN9100	BUSH,1ST DRIVEN GEAR (GT650)	1	
16	24321HP9500	GEAR,2ND DRIVEN (GV650)	1	

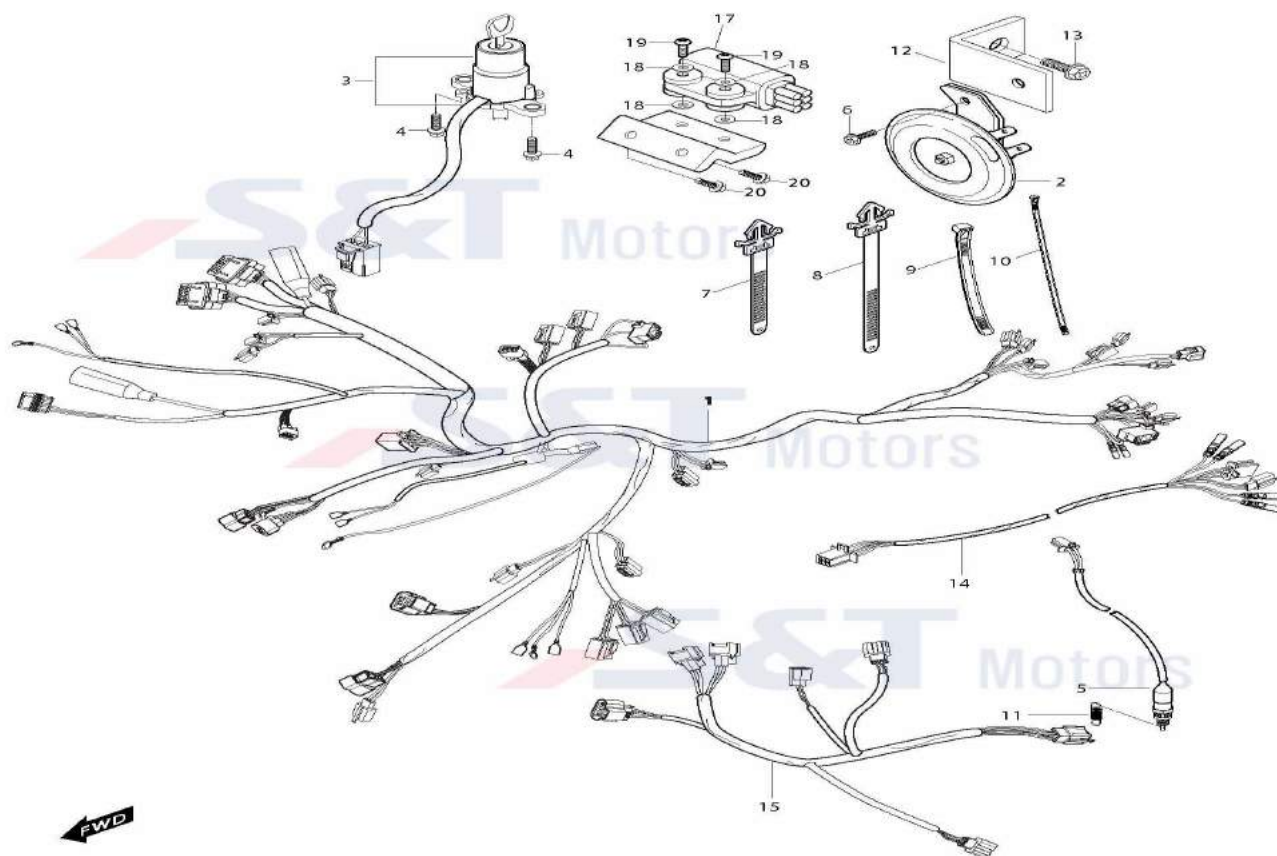
17	09380H25001	CLIP,CLUTCH HOUSING (GT650	1
18	24331HP9500	GEAR,3RD DRIVEN (GV650)	1
19	09167H25001	WASHER,6TH DRIVE GEAR (GT650)	1
20	24341HN9100	GEAR,4TH DRIVEN (GT650)	1
21	24351HN9101	GEAR,5TH DRIVEN (GT650)	1
22	09167H25002	WASHER,3RD & 4TH DRIVEN GR(GT6	1
23	08113-62030	BEARING,DRIVE SHAFT 6203C3	1
24	08123-63050	BEARING,DRIVEN SHAFT L (GT650)	1
25	09380H25001	CLIP,CLUTCH HOUSING (GT650	1
26	09167H25001	WASHER,6TH DRIVE GEAR (GT650)	1
27	09282H36002	SEAL,DRIVE SHAFT OIL (GT650)	1
28	24751HN9100	RETAINER,DRIVE SHAFT O/SEAL(GT	1
29	01107-06106	BOLT,DR SH RETAINER	2
30	27510HP9503	PULLEY,DRIVE BELT (GV650)	1 =27510HP9504+27531HA9800 (2013.02~)
30-1	27510HP9504	PULLEY,DRIVE BELT (GV650)	1 KM4VP61A8D1500416~(02.2013~)
31	27531HN9100	SPACER,ENGINE SPROCKET (GT650)	1 =27510HP9504+27531HA9800 (2013.02~)
31-1	27531HA9800	SPACER,ENGINE SPROCKET (GT650)	1 =X=27431HN9100/KM4VP61A8D150041 6~(02.2013~)
32	09280-19005	O/RING,ENGINE SPROCKET	1
33	09167H25004	WASHER,ENGINE SPROCKET (GT650	1
34	09167H25001	WASHER,6TH DRIVE GEAR (GT650)	1
35	09380H25001	CLIP,CLUTCH HOUSING (GT650	1
36	24322HN9100	BUSH,2ND DRVN GEAR (GT650)	1
37	09181H17001	SHIM,DRIVE SHAFT (GT650)	1
38	09380H25001	CLIP,CLUTCH HOUSING (GT650	1
39	09380H22001	CIRCLIP,2ND DRIVE (GT650)	1
40	24761HN9102	PIPE,TRANSMISSION OIL (GT650)	1
41	24741HN9100	RETAINER,COUNTER SHAFT BG(GT65	1
42	02112-06128	SCREW,COUNTER SHAFT	1
43	24252HN9100	BUSH,5TH DRIVE GEAR (GT650)	1
44	09181H25001	SHIM,5TH DRIVE GEAR (GT650)	1
45	24332HN9100	BUSH,3RD/4TH DRIVEN GEAR(GT650	1
46	09167H25003	WASHER,THRUST LOCK (GT650)	1
47	24332HN9100	BUSH,3RD/4TH DRIVEN GEAR(GT650	1

FIG.15



SEQ	PART CODE	PART NAME	U/S	REMARK
1	17400HP9502	PUMP ASSY,WATER (GV650)	1	
1-1	17400HP9502121	PUMP ASSY,WATER (GT650)	1	MY 14 (November, 2013~)
2	01547-06308	BOLT,MAGNET&CLUTCH COVER (EZ)	2	
3	17491HN9100	HOSE,WATER PUMP OUTLET (GT650)	1	
4	09401H26402	CLAMP,WATER PUMP HOSE (GT650)	2	
5	17521HN9105	GEAR WATER PUMP (TE450)	1	
6	08221-10185	SHIM,OIL PUMP DRVN GEAR (GT650)	1	
7	08331-31109	CIRCLIP (GV)	1	
8	09261H04001	PIN,OIL PUMP DRIVEN GEAR(GT650)	1	
9	17481HP9501PLT	COVER,WATER PUMP (GV700C)	1	
9-1	17481HP9501PAM	COVER,WATER PUMP (GV650P)	1	BK

FIG.28



SEQ	PART CODE	PART NAME	U/S	REMARK
1	36610H89801	HARNESS,WIRING (GV650EI)	1	
1-1	36610HB9500	HARNESS,WIRING (GV650P)	1	[2011/12/8]=36610HB9501+17660HB9501+09404-06404
1-2	36610HB9501	HARNESS,WIRING (GV650P)	1	KM4VP61A8C1500091~(12.2011~)
1-3	36610HB9502	HARNESS, WIRING (GV650P)	1	KM4VP61A1C1500093~(01.2012~)
2	38500HP9510	HORN ASSY (BLACK) (GV650)	1	(BLACK)
3	37000HA9800	KEY SET (GV650P)	1	
4	01517-06166	BOLT,STEERING LOCK (GV)	2	
5	37740HP9500	SWITCH,REAR STOP (GV650)	1	
6	09106H06150	WRENCH BOLT 6*15MM (GT650)	1	
7	09407-14403	CLAMP,STRNINER(125MM) (EZ)	2	
8	09407-22402	CLAMP,WIRING HARNESS (EZ)	1	
9	09407-14408	BAND	4	
10	09407-20406	CLAMP,WIRING HARNESS (GV250)	3	
11	09443H06017	SPRING,STOP LAMP SWITCH(GV650)	1	
12	38520HP9500	BRACKET,HORN (GV650)	1	
13	09106-10050	BOLT F/FOOTREST BOSS L (GD)	1	
14	36670HP9500	LEAD WIRE,REAR COMBI (GV650)	1	

15	17660HP9300	LEAD WIRE,SENSOR PARTS(GT650F	1
15-1	17660H89810	LEAD WIRE,SENSOR PARTS(GV650EI	1
15-2	17660HB9500	LEAD WIRE,SENSOR PARTS(GV650P)	1 *DELPHI
15-3	17660HB9501	LEAD WIRE,SENSOR PARTS(GV650P)	1 *-00,~01 : DELPHI
16	37895H89800	BRACKET,TIP OVER SENSOR(GV650)	1
17	37890HP8810	SENSOR,TIP OVER (GT650REI)	1
18	09160H04005	WASH, TIP OVER SENSOR(GT650RN)	4