



**SN**



**BK**

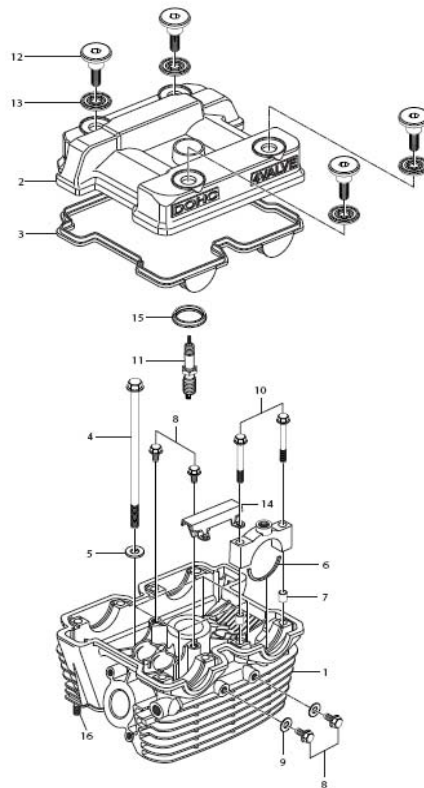


**RN**

# FIG 1-1. CYLINDER HEAD/(FRONT)

REF. NO.	8EN01	PARTS NAME	Q'TY (PCS)
1	11110HJ8691PCH	HEAD ASS'Y, cylinder	1
2	11171HG5102121	COVER ,cylinder head	1
3	11173HG5100	GASKET,cylinder head cover NO.1	1
4	09103H08306	BOLT, cylinder head L=130	4
5	09103H08306	GASKET, cylinder head bolt	4
6	09168-08021	C-RING, camshaft	4
7	09206-08001	PIN, camshaft housing knock	8
8	01517-06128	BOLT, oil galley	4
9	09168H06009	GASKET,oil galley bolt	2
10	09103-06013	BOLT, camshaft housing	8
11	09482-00456	PLUG,spark CR8E	1
12	09109H07018	BOLT, cylinder head cover	4
13	09161H11008	WASHER , cylinder head cover	4
14	12782-35C00	GUIDE , camchain NO.2	1
15	11178-17E00	GASKET, cylinder head cover NO.2	1
16	01421-06258	BOLT,cylinder head stud(M6)	3

FIG 1-1

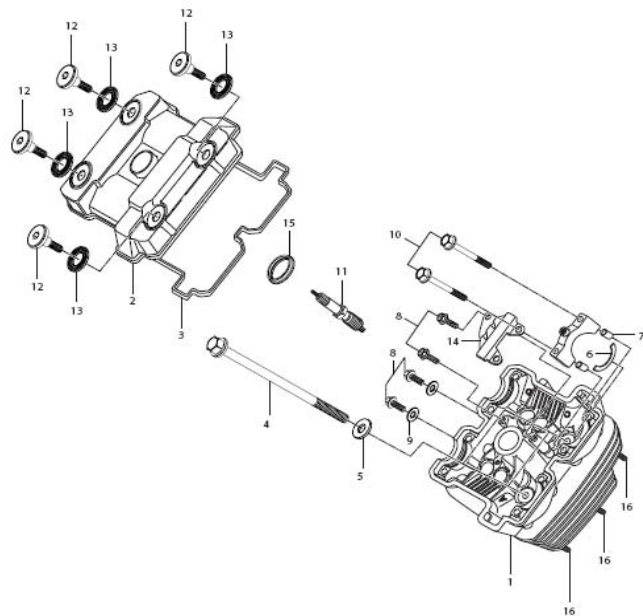


# FIG 1-2. CYLINDER HEAD/(REAR)

REF. NO.	8EN01	PARTS NAME	Q'TY (PCS)
-------------	-------	------------	---------------

1	11110HJ8691PCH	HEAD ASS'Y, cylinder	1
2	11171HG5102121	COVER ,cylinder head	1
3	11173HG5100	GASKET,cylinder head cover NO.1	1
4	09103H08306	BOLT, cylinder head L=130	4
5	09168-08021	GASKET, cylinder head bolt	4
6	09390-35001	C-RING, camshaft	4
7	09206-08001	PIN, camshaft housing knock	8
8	01517-06128	BOLT, oil galley	4
9	09168H06009	GASKET,oil galley bolt	2
10	09103-06013	BOLT, camshaft hou ing	8
11	09482-00456	PLUG,spark C 8E	1
12	09109H07018	BOLT, cylinder head cover	4
13	09161H11008	WASHER , cylinder head cover	4
14	12782-35C00	GUIDE , camchain NO.2	1
15	11178-17E00	GASKET, cylinder head cover NO.2	1
16	01421-06258	BOLT,cylinder head tud(M6)	3

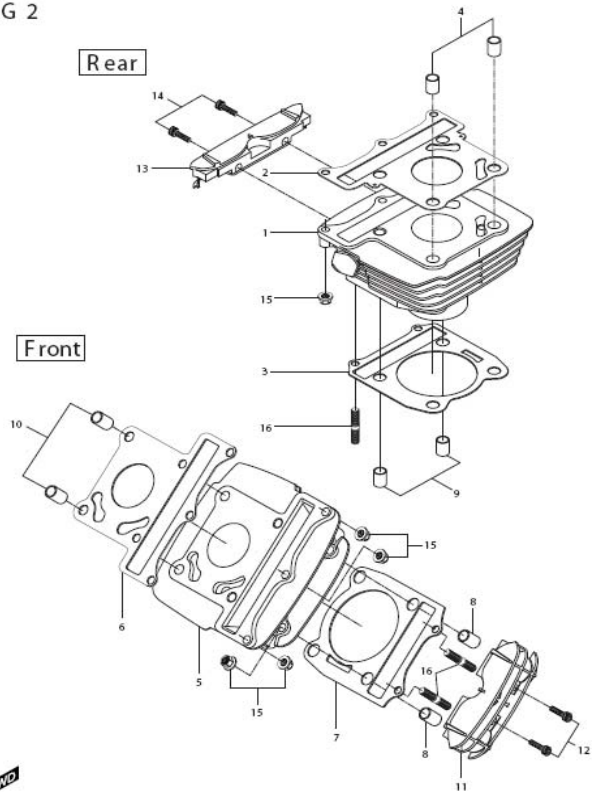
FIG 1-2



# FIG 2. CYLINDER/FRONT,REAR

REF. NO.	8EN01	PARTS NAME	Q'TY (PCS)
1	11220HJR8651PCY	CYLINDER COMP , rear	1
2	11141HJ8210	GASKET, cylinder head	1
3	11241HG5103	GASKET, cylinder	1
4	04213-11169	PIN, cylinder head knock	2
5	11210HR8651PCY	CYLINDER COMP , front	1
6	11141HJ8210	GASKET, cylinder head	1
7	11241HG5103	GASKET, cylinder	1
8	04213-11149	KNOCK PIN, cylinder	2
9	04213-11149	KNOCK PIN, cylinder	2
10	04213-11169	PIN, cylinder head knock	2
11	11251HG5100121	FIN, cylinder (FRONT)	1
12	07110-05168	BOLT, cylinder fin (FRONT)	2
13	11251HG5100121	FIN, cylinder (REAR )	1
14	07110-05168	BOLT, cylinder fin (REAR )	2
15	08316-16068	NUT,cylinder head(116)	6
16	01421-06258	BOLT,cylinder s tud	4

FIG 2

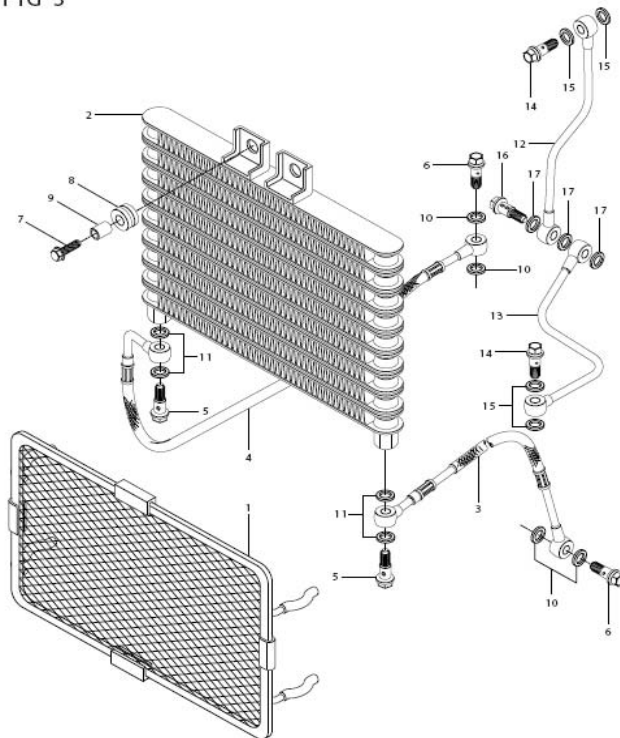


# FIG 3. OIL COOLER

REF. NO.	PARTS NAME	Q'TY (PCS)
-------------	------------	---------------

1	16810HJ8201	GRILLE COMP , oil cooler NO.1	1
2	16600HJ8200121	COOLER ASS'Y, oil	1
3	16460HJ8200	HOSE COMP , oil cooler NO.1	1
4	16470HJ8200	HOSE COMP , oil cooler NO.2	1
5	09360H12007	BOLT, oil cooler hose union NO.2	2
6	09360H10034	BOLT, oil cooler hose union NO.1	2
7	09116-06143	BOLT, oil cooler	2
8	09320-10015	CUSHION, oil cooler	2
9	09180-06030	SPACER , oil cooler	2
10	09161-10009	GASKET, oil cooler NO.1	4
11	09168-14011	GASKET, oil cooler NO.2	4
12	11280HG5101	PIPE COMP , oil front	1
13	11290HG5101	PIPE COMP , oil rear	1
14	09360H10034	UNION BOLT, oil pipe upper	2
15	09161-10009	GASKET, oil pipe upper	4
16	15331HG5101	UNION BOLT, oil pipe lower	1
17	09161-10009	GASKET, oil pipe lower	3

FIG 3

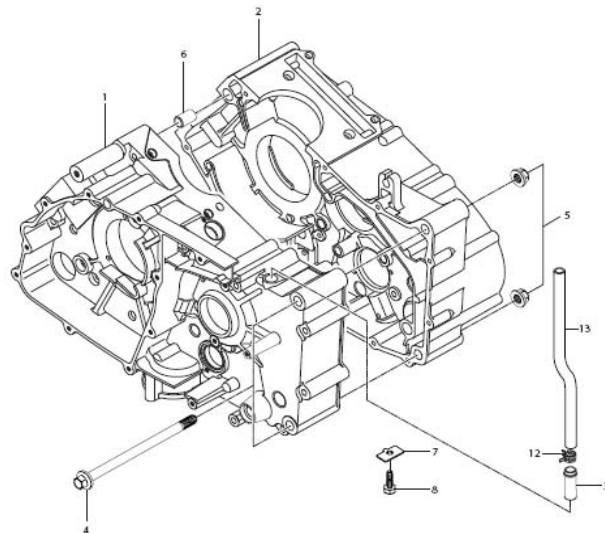
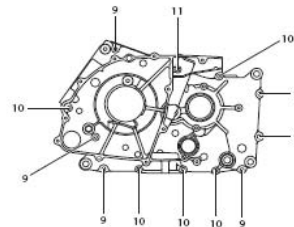


# FIG 4. CRANK CASE

REF. NO.	8EN01	PARTS NAME	Q'TY (PCS)
-------------	-------	------------	---------------

1	11320HJ8203121	CRANKCASE COMP , L	1
2	11310HJ8202121	CRANKCASE COMP , R	1
3	09364-12001	UNION, breather hose	1
4	09103H10022	BOLT, frame & engine l=110	3
5	08319-31106	NUT, frame & engine	3
6	04211-13189	PIN, crankcase knock	2
7	11319-05200	PLATE , oil gallery plug	1
8	01107-06106	BOLT, oil gallery plug plate	1
9	01547-06558	BOLT, crankcase	6
10	01547-06808	BOLT, crankcase	5
11	02112-06908	SCREW,crankcase	1
12	09401H14401	CLIP ,breather oil return	1
13	16831HN9101	HOSE ,breather oil return	1

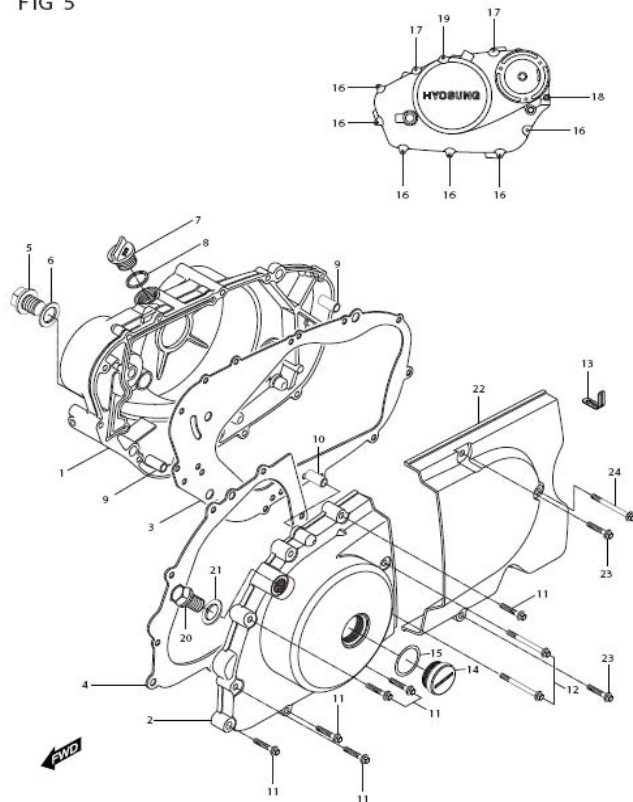
FIG 4



# FIG 5. CRANK CASE COVER

REF. NO.	8EN01	PARTS NAME	Q'TY (PCS)
1	11341SJ8200HPA	COVER COMP, clutch	1
2	11351HJ82020BF	COVER, magneto	1
3	11482HG5102	GASKET, clutch cover (NA)	1
4	11483HG5102	GASKET, magneto cover	1
5	09247-14026	PLUG, oil check	1
6	09168H14003	GASKET, oil check plug	1
7	09259-2000903P	PLUG, eng oil filler	1
8	09280-17003	O-RING, eng oil filler plug	1
9	04213-13189	PIN, clutch cover knock	2
10	04213-09129	PIN, magneto cover knock	1
11	01547-06308	BOLT, magneto cover	7
12	01547-06708	BOLT, magneto cover	2
13	09403H09304	CLAMP, clutch cable	1
14	09259-2601503P	PLUG, crankshaft hole	1
15	09280-22008	O-RING, crankshaft hole plug	1
16	01547-06258	BOLT, clutch cover	6
17	01547-06358	BOLT, clutch cover	2
18	01547-06608	BOLT, clutch cover	1
19	01547-06758	BOLT, clutch cover	1
20	09247H12102	PLUG, TDC	1
21	09168H12003	GASKET, T.D.C plug	1
22	11360HJ8200HPA	COVER COMP, engine sprocket	1
23	01547-06308	BOLT, engine sprocket cover	2
24	01547-06708	BOLT, engine sprocket cover	1

FIG 5

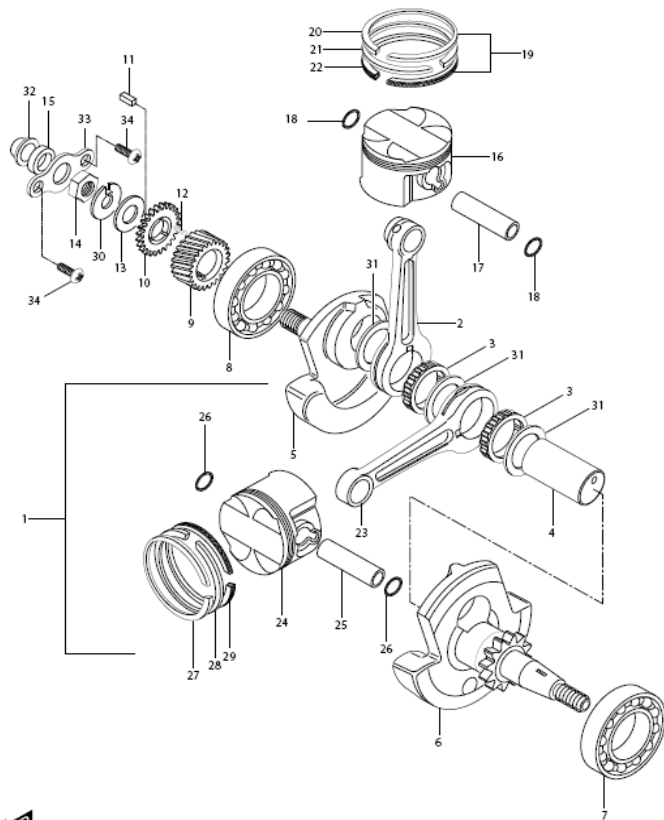


# FIG 6. CRANK SHAFT

REF. NO.	8EN01	PARTS NAME	Q'TY (PCS)
----------	-------	------------	------------

1	12200HJ8200HPA	CRANK SHAFT ASS'Y	1
2	12161HJ8201	ROD, connecting	1
3	09263H30002	BEARING, crank pin	2
4	12211HJ8202HPA	PIN, crank	1
5	12221HJ8203CSA	CRANK SHAFT, R	1
6	12221HJ8203CSA	CRANK SHAFT, L	1
7	09262H35002	BEARING, crank shaft, R	1
8	09262H35002	BEARING, crank shaft, L	1
9	21111HJ8201	GEAR, primary drive	1
10	21112HJ8200	GEAR, primary drive NO.2	1
11	09421H05001	KEY, primary drive gear	1
12	21114-35C00	SPRING,primary drive gear	3
13	09166H16021	WASHER, primary drive gear thrust	1
14	09140-16019	NUT,primary drive gear	1
15	09282-12001	SEAL, crank shaft oil rh	1
16	12111-16E00	PISTON,rear	1
17	12151-30B00	PIN, piston	1
18	09381-15001	CIRCLIP, piston pin	2
19	12140-16E00	RINGSET, piston	2
20	12141-16E00	RING, piston 1st	1
21	12142-16E00	RING, piston 2nd	1
22	12144-16E00	RING, piston oil	1
23	12161HJ8200	ROD, connecting	1
24	12111-16E00	PISTON,front	1
25	12151-30B00	PIN, piston	1
26	09381-15001	CIRCLIP, piston pin	2
27	12141-16E00	RING, piston 1st	1
28	12142-16E00	RING, piston 2nd	1
29	12144-16E00	RING, piston oil	1
30	09166H16032	WASHER,primary drive gear lock	1
31	09160H30001	WASHER	3
32	11342HG5100	JET	1
33	11343HG5100	RETAINER	1

FIG 6

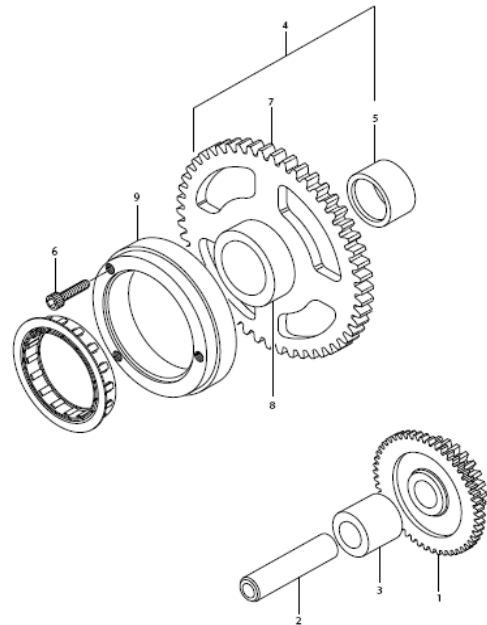




# FIG 7. STARTER CLUTCH

REF. NO.	8EN01	PARTS NAME	Q'TY (PCS)
1	12611HJ8200	GEAR , starter idle	1
2	12612HG5100	SHAFT,starter idle gear	1
3	09180-13006	SPACE , starter idle gear	1
4	12620HJ8204	GEAR COMP , starter clutch	1
5	09304H25002	BUSH, starter clutch gear	1
6	09106H08026	BOLT, starter clutch	3
7	12622HJ8201	GEAR , starter clutch	1
8	12621HJ8200	RACE , starter clutch gear inner	1
9	12614HS5000	CLUTCH, starter one way	1

FIG.7



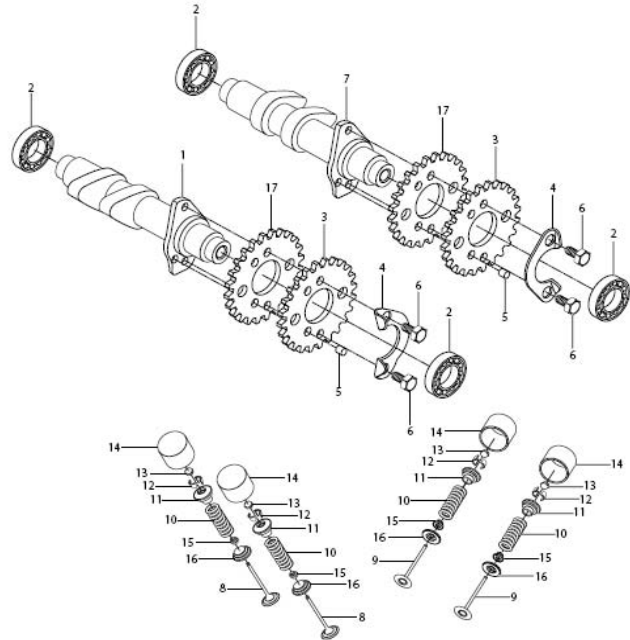
← PWD

# FIG 8. CAMSHAFT REAR / FRONT

REF. NO.	8EN01	PARTS NAME	Q'TY (PCS)
----------	-------	------------	------------

1	12711HR8600888	CAMSHAFT, intake	2
2	09262-17019	BEARING, camshaft	8
3	12741H16E00	SPROCKET, camshaft front	2
4	12747-44B00	WASHER, sprocket	4
5	09261-05005	PIN, sprocket	4
6	09111-06032	BOLT, sprocket	8
7	12721HJ8200888	CAMSHAFT, exhaust	2
8	12911HJ8200	VALVE, intake	4
9	12912HJ8200	VALVE, exhaust	4
10	12921HJ8200	SPRING, valve	8
11	12931HJ8200	RETAINER, valve spring	8
12	12932HJ8200	COTTER, valve	16
13	12892-05C00(#120~220) S HIM, tappet		8
14	12881HJ8200	TAPPET	8
15	09289H04002	SEAT, valve stem oil	8
16	12933HJ8200	SEAT, valve spring	8
17	12742HJ8200	SPROCKET, camshaft rear	2

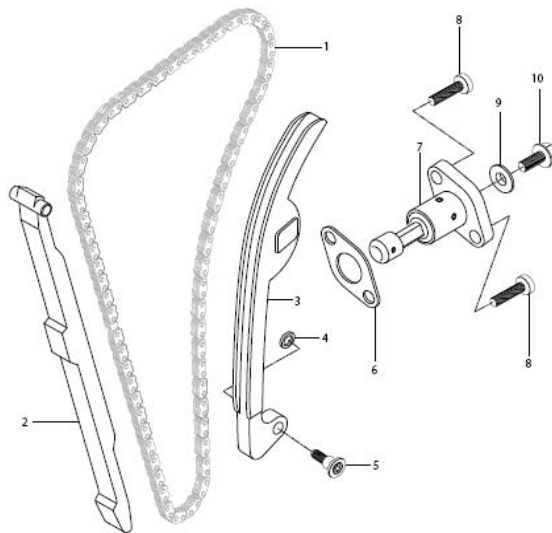
FIG 8



# FIG 9. CAM CHAIN

REF. NO.	8EN01	PARTS NAME	Q'TY (PCS)
1	12760-16E00	CHAIN COMP , camshaft drive	2
2	12771-16E00	GUIDE , camchain NO.1	2
3	12811HJ8200	TENSIONER , camchain	2
4	08211-06181	WASHER , camchain tensioner bolt	2
5	12812H35C00	BOLT, camchain tensioner	2
6	12837HP7600	GASKET, tensioner adjuster	2
7	12830H88600	ADJUSTER ASS`Y, tensioner	2
8	07110-06208	BOLT, tensioner adjuster	4
9	12838HP7600	O-RING, adjuster	2
10	12839HN9120	SCREW, tensioner adjuster	2

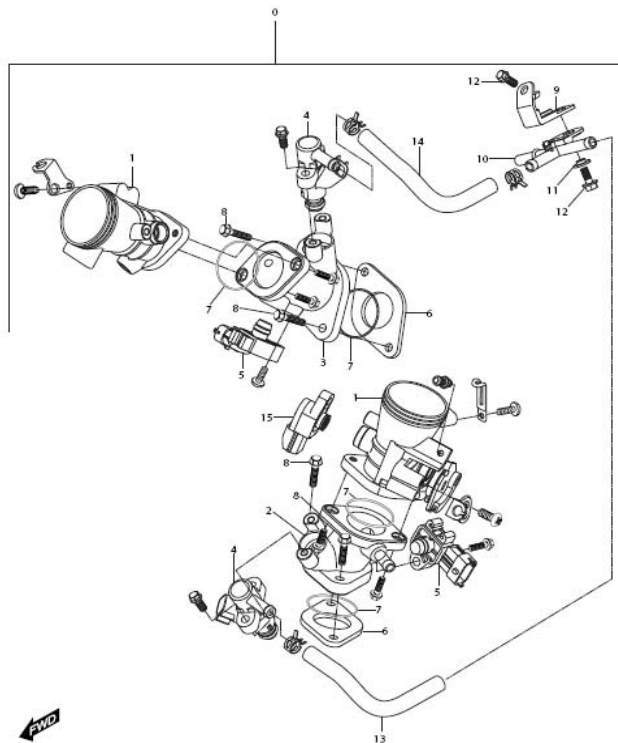
FIG 9



# FIG 10. THROTTLE BODY

REF. NO.	8EN01	PARTS NAME	Q'TY (PCS)
0	13400H88601	BODY ASS'Y, throttle	1
1	13410H88600	BODY COMP , throttle	2
2	13110H88600	PIPE COMP , intake front	1
3	13120H88600	PIPE COMP , intake rear	1
4	15710H88601	INJECTOR	2
5	37920H88600	SENSOR , intake air pressure	2
6	13129HR8600	INSULATOR , carburetor	2
7	09280H34000	O-RING, intake pipe	4
8	09128-06006	SCREW, intake pipe	4
9	15160H88400	BRACKET COMP , fuel hose joint	1
10	15911HP9300	JOINT, fuel hose	1
11	09169H06078	WASHER , fuel hose joint	1
12	01517-06125	BOLT, joint	2
13	15870H88401	HOSE ASS'Y, fuel injector joint No1.	1
14	15880H88401	HOSE ASS'Y, fuel injector joint No2.	1
15	13580H88600	SENSOR , therottle position(TPS)	1

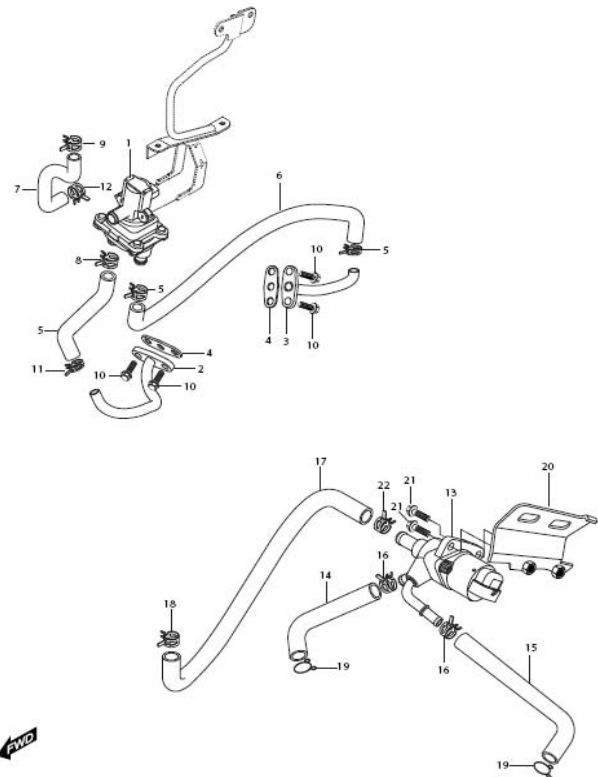
FIG.10



# FIG 10-1. 2ND AIR & ISC

REF. NO.	8EN01	PARTS NAME	Q'TY (PCS)
1	18500H89800	VALVE ASS'Y, 2nd air	1
2	18610HJ8290	PIPE COMP , 2nd air front	1
3	18610HM8130	PIPE COMP , 2nd air rear	1
4	18615HN9101	GASKET, 2nd air pipe	2
5	18631H88400	HOSE , 2nd air pipe front	1
6	18641H88400	HOSE , 2nd air pipe rear	1
7	18651H88400	HOSE , 2nd air cleaner	1
8	09401H16401	CLAMP , 2nd air pipe hose	2
9	09401H16401	CLAMP , 2nd air cleaner hose	1
10	09128-06005	BOLT, 2nd air pipe	4
11	09401H15401	CLAMP , 2nd air pipe	2
12	09401H18401	CLAMP , 2nd air cleaner	1
13	37940HR8410	SOLENOID, idle speed control	1
14	18731HR8400	HOSE , isc No.1	1
15	18741HR8400	HOSE , isc No.2	1
16	09401H11403	CLAMP , isc hose	2
17	18581HR8600	HOSE , isc air cleaner	1
18	09401H10401	CLAMP , isc air cleaner hose	1
19	09401-10401	CLIP , isc hose	2
20	13790HR8400	BRACKET COMP , isc	1
21	01547-06208	BPLT, isc	2
22	09401H13401	CLAMP , isc	1

FIG.10-1

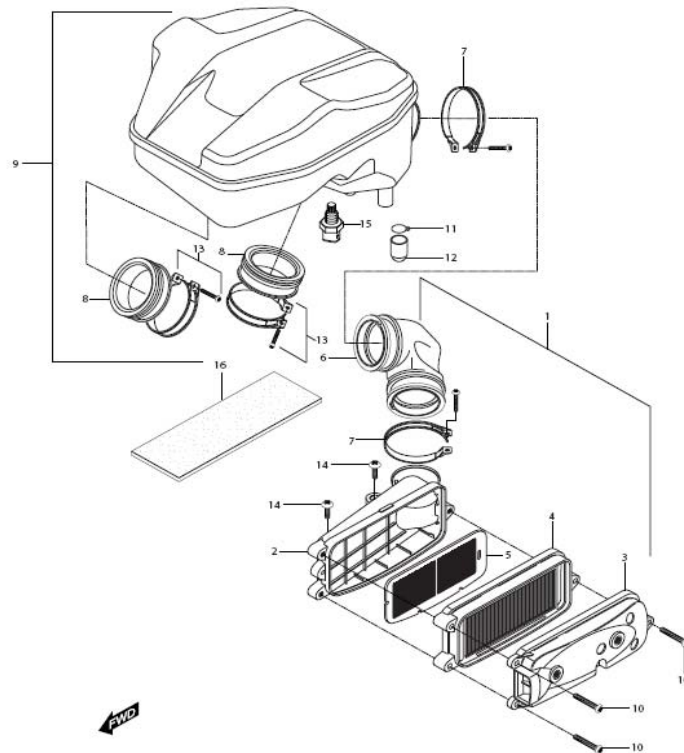


# FIG 11. AIR CLEANER & CHAMBER

REF. NO.	8EN01	PARTS NAME	Q'TY (PCS)
----------	-------	------------	------------

1	13700HR8400	CLEANER ASS'Y, air	
2	13720HG5101	CASE COMP , air cleaner	
3	13740HG5102	CAP COMP , air cleaner	
4	13780HR8400	FILTER COMP , air cleaner	
5	13750HG5100	TRAP COMP ,frame	
6	13831HG5101	TUBE , connecting	
7	09402H74217	CLAMP , connecting tube	
8	13881HR8400	TUBE OUTLET	
9	13800H88400	CHAMBER ASS'Y, air cleaner	
10	02142-05305	SCREW, air cleaner cap	
11	09401-14301	CLIP , oil drain plug	
12	13895HF4500	PLUG,oil drain	
13	09402-56208	CLAMP ,outlet tube carb	
14	09136-06017	SCREW,air cleaner	
15	37930H89300	SENSOR , intake air temperature(IATS)	
16	44613HE7100	CUSHION, air cleaner	

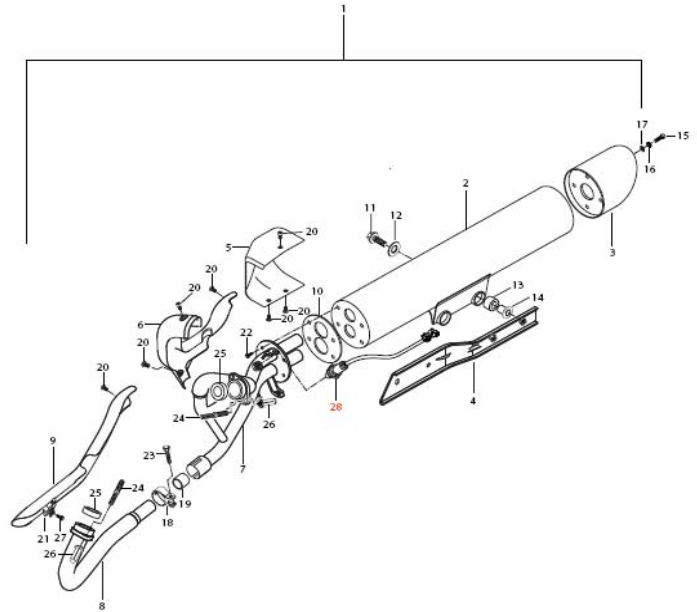
FIG.11



# FIG 12. MUFFLER

REF. NO.	8EN01	PARTS NAME	Q'TY (PCS)
1	14305H88400	MUFFLER , ASS'Y	1
2	14310H88400	BODY COMP , MUFFLER	1
3	14790HR5200	COVER , MUFFLER REAR	1
4	14410HR5200	BRACKET, MUFFLER SUPPORT NO.1	1
5	14711HR5200	COVER , EXHAUST JOINT	1
6	14730HR8400	COVER , EXHAUST REAR PIPE	1
7	14160HR8401	PIPE COMP , EXHAUST REAR	1
8	14150HS8400	PIPE COMP , EXHAUST FRONT	1
9	14721HR5200	COVER COMP , EXHAUST FRONT PIPE	1
10	14314HR5200	GASKET, MUFFLER BODY	1
11	01517-08468	BOLT, MUFFLER SUPPORT BRACKET BODY	2
12	09160-08002	WASHER , MUFFLER SUPPORT BRACKET BODY	2
13	09320H12059	CUSHION, MUFFLER SUPPORT	2
14	41160HN9100	SPACER COMP , MUFFLER SUPPORT	2
15	09106H06001	BOLT, MUFFLER REAR COVER	4
16	08321-31068	WASHER , MUFFLER REAR COVER	4
17	08322-21068	WASHER , MUFFLER REAR COVER	4
18	14470HG5101	CONNECTOR COMP , EXHAUST PIPE	1
19	14773HG5101	GASKET, CONNECTOR EXHAUST PIPE	1
20	09119H06001	BOLT, EXHAUST COVER	7
21	14776HR5200	CLAMP , EXHAUST FRONT PIPE	1
22	09106H06001	BOLT, MUFFLER BODY GASKET	4
23	01137-08358	BOLT, CONNECTOR EXHAUST PIPE	1
24	01421-08258	STUD BOLT, EXHAUST PIPE	4
25	14181-46E00	GASKET, EXHAUST PIPE	2
26	09143H08001	NUT, EXHAUST PIPE	4
27	09106H06031	BOLT, EXHAUST FRONT PIPE COVER CLAMP	1
28	37950H89300	SENSOR , oxygen	1

FIG 12

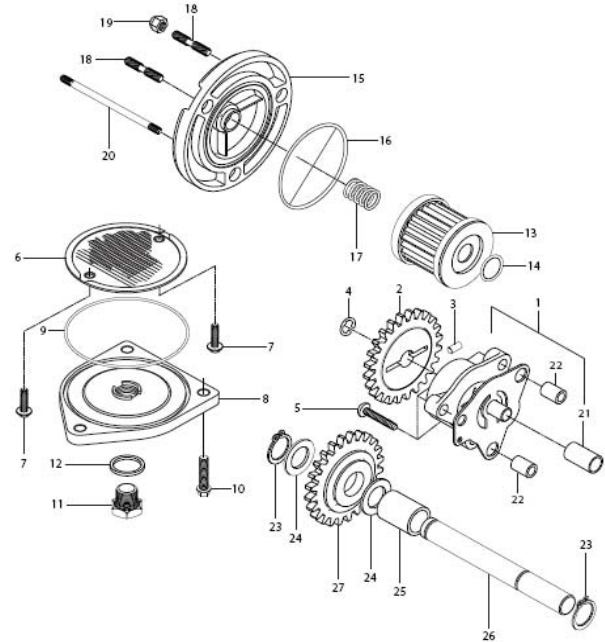


PWD

# FIG 13. OIL PUMP

REF. NO.	8EN01	PARTS NAME	Q'TY (PCS)
1	16400HG5102	PUMP ASSY, oil	1
2	16331HG5102	GEAR , oil pump driven	1
3	09261-02001	PIN, oil pump driven gear	1
4	08332-11069	CIRCLIP , oil pump driven gear	1
5	02112-06258	SCREW, oil pump	3
6	16520-05202	STRAINER COMP , engine oil	1
7	02112-95126	SCREW, engine oil strainer	2
8	16523-05200	CAP , oil strainer	1
9	09280-60005	O-RING, strainer cap	1
10	01547-06208	BOLT, oil strainer cap	3
11	09247H14019	PLUG, oil drain	1
12	09168H14003	GASKET, drain plug	1
13	16510-05240HAS	FILTER COMP , engine oil	1
14	09280-13004	O-RING, oil filter	1
15	16512HG51000BF	CAP , oil filter	1
16	09280-54001	O-RING, oil filter cap	1
17	09440-18002	SPRING, oil filter cap	1
18	01421-06128	BOLT, oil filter cap stud	2
19	08313-11068	NUT, oil filter cap	3
20	01421-06658	BOLT, oil filter cap stud	1
21	16419HG5100	BUSH,oil pump	1
22	09206-08001	PIN, oil pump knock	2
23	08331-31109	CIRCLE LIP	2
24	08211-10181	WASHER	2
25	09180H10022	SPACER	1
26	16451HG5101	SHAFT,oil pump idle gear	1
27	16431HG5104	GEAR ,oil pump idle	1

FIG 13

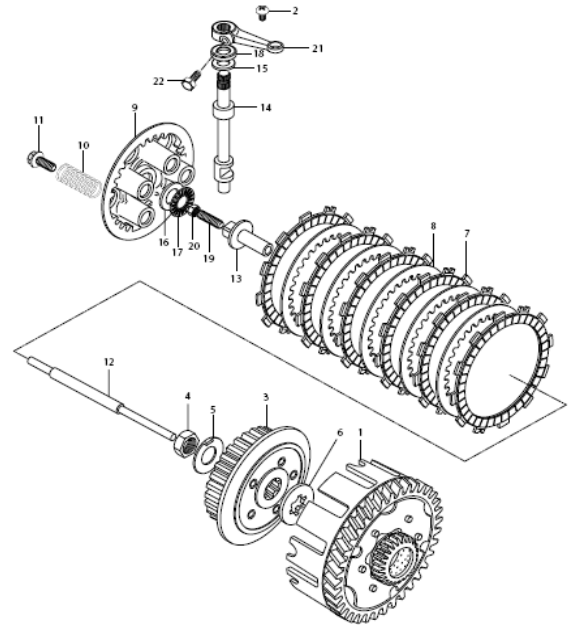




# FIG 14. CLUTCH ASS'Y

REF. NO.	8EN01	PARTS NAME	Q'TY (PCS)
0	21200HJ8200HPA	GEAR ASS'Y,primary driven	
1	21210HJ8201	GEAR COMP , primary driven	1
2	02142-06108	STOPPER , clutch release camshaft oil	1
3	21411HJ8203	HUB, clutch sleeve	1
4	09140-16014	NUT, clutch sleeve hub	1
5	09169-16003	WASHER , clutch sleeve hub	1
6	09167H18001	THRUST WASHER , clutch sleeve hub	1
7	21441HJ8201	PLATE , clutch drive	6
8	21451HJ8201	PLATE , clutch driven	5
9	21462HJ8201	DIS K, clutch pressure	1
10	09440H16003	SPRING, clutch	5
11	09116H05001	BOLT, clutch spring	5
12	23111HJ8202	ROD, clutch push	1
13	23121-38201	PIECE , clutch push	1
14	23122HG5100	CAM SHAFT, clutch release	1
15	08211-10201	THRUST WASHER , clutch release camshaft	1
16	09160-15015	THRUST WASHER , clutch release	1
17	09263H15001	THRUST BEARING, clutch release	1
18	09282-10007	OIL SEAL, clutch release camshaft(10x20x6)	1
19	09134-06010	SCREW, clutch release adjuster	1
20	08310-22068	NUT, clutch release adjust	1
21	23271HJ8250	ARM, clutch release	1
22	01107-06168	BOLT, clutch release arm	1

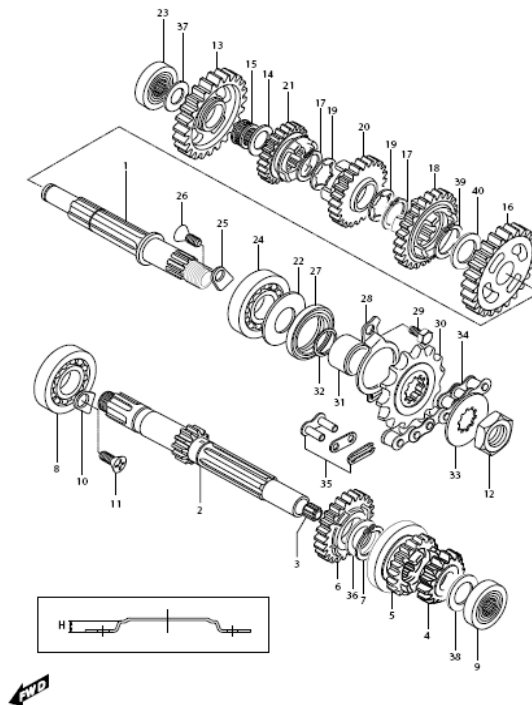
FIG.14



# FIG 15. TRANSMISSION

REF. NO.	8EN01	PARTS NAME	Q'TY (PCS)
0	24130HJ8200HPA	DRIVE SHAFT ASS'Y	1
1	24130HJ8201	SHAFT COMP ,drive	1
2	24121HJ8202	SHAFT, counter	1
3	24125-38201	BUSH, counter shaft	1
4	24221HJ8201	GEAR , 2nd drive	1
5	24230HJ8200	GEAR COMP , 3rd drive	1
6	24251HJ8202	GEAR , 5th drive	1
7	09380H20001	CIRCLIP , 5th drive gear	1
8	08110-62050	BEARING,counter shaft R (#6205)	1
9	09263H17001	BEARING,counter shaft L	1
10	24741HG5100	RETAINER , counter shaft bearing	1
11	02122-06128	SCREW , counter shaft bearing rtng	1
12	09140-16017	NUT, engine sprocket	1
13	24311HJ8200	GEAR , 1st driven	1
14	08211-17261	THRUST WASHER , 1st driven gear L	1
15	09263H17008	BEARING,1st driven gear	1
16	24320HJ8200	GEAR COMP , 2nd driven	1
17	09380H20001	CIRCLIP , 4th driven gear	2
18	24331HJ8200	GEAR , 3rd driven	1
19	09167H18002	THRUST WASHER , 4th driven gear	2
20	24341HJ8200	GEAR , 4th driven	1
21	24351HJ8202	GEAR , 5th driven	1
22	09160H20011	WASHER , oil sealing	1
23	09263H17007	BEARING, drive shaft R	1
24	09262H22016	BEARING, drive shaft L	1
25	24741HG5100	RETAINER , drive shaft bearing	1
26	02122-06128	SCREW , drive shaft bearing retainer	1
27	09283-27010	OIL SEAL, drive shaft	1
28	24751HG5102	RETAINER , drive shaft oil seal	1
29	01107-06106	BOLT, drive shaft oil seal retainer	2
30	27510HJ8200	SPROCKET COMP, engine 14T(#520)	1
31	27531HJ8201	SPACER ,engine sprocket	1
32	09280-19005	O-RING, engine sprocket	1

FIG.15

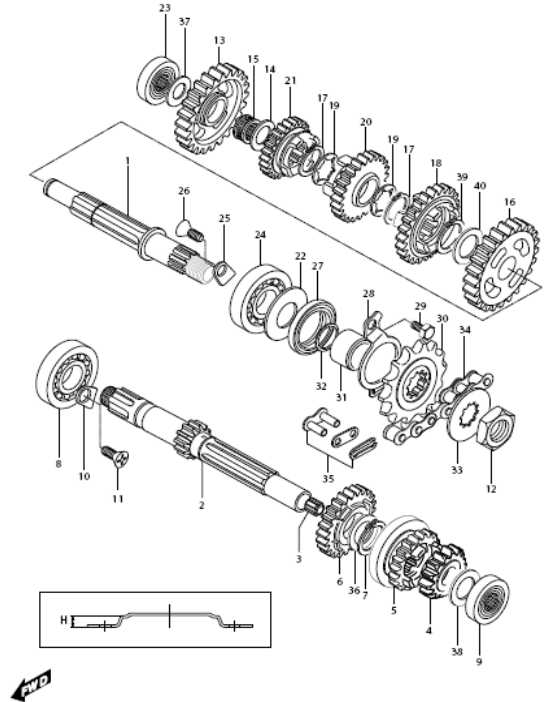


# FIG 15. TRANSMISSION

REF. NO.	8EN01	PARTS NAME	Q'TY (PCS)
-------------	-------	------------	---------------

36	08211-22281	WASHER , 5th drive gear thrust	1
37	08211-17301	WASHER , drive shaft thrust	1
38	08211-17301	WASHER , counter shaft thrust	1
39	09380H20001	CILCLIP , 2nd driven gear	1
40	08211-22281	WASHER , 2nd driven gear	1

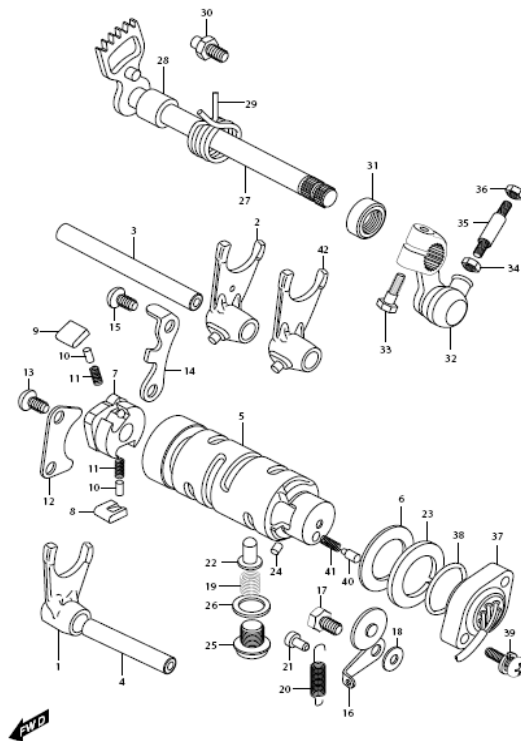
FIG.15



# FIG 16. GEAR SHIFTING

REF. NO.	8EN01	PARTS NAME	Q'TY (PCS)
1	25211HJ8200	FORK, gear shift No.1	1
2	25231HJ8200	FORK, gear shift No.3	1
3	25411-05201	SHAFT, gear shift fork No.1	1
4	25421-35403	SHAFT, gear shift fork No.2	1
5	25310HJ8200	CAM COMP , gear shift	1
6	08211-25401	WASHER , gear shift cam	1
7	25322-31301	GEAR , gear shift cam driven	1
8	25323-34201	PAWL, gear shift No.1	1
9	25324-34201	PAWL, gear shift No.2	1
10	09261-05003	PIN, gear shift pawl click	2
11	09440-04003	SPRING, gear shift pawl return	2
12	25331-30000	LIFTER , gear shift pawl	1
13	02122-06128	SCREW, gear shift pawl	2
14	25341HG5100	GUIDE , gear shift cam	1
15	02122-06128	SCREW, gear shift pawl lifter	2
16	25350HG5100	STOPPER COMP , gear shift cam	1
17	09111-06019	BOLT, gear shift cam stopper	1
18	08211-06141	WASHER , gear shift cam stopper	1
19	09440H11020	SPRING, gear shift cam stopper	1
20	09443H08044	SPRING, gear shift cam stopper arm	1
21	09223-04001	HOOK, gear shift shaft spring	1
22	25351-30010	STOPPER , gear shift cam neutral	1
23	25381-45400	PLATE , gear shift cam stopper	1
24	04221-04069	PIN, gear shift cam stopper plate	1
25	09247-14026	PLUG, gear shift cam stopper	1
26	09168H14003	WASHER , gear shift cam stopper plug	1
27	25510HG5101	SHAFT COMP , gear shift	1
28	09180-12068	SPACER , gear shift shaft	1
29	09444-26013	SPRING, gear shift shaft return	1
30	25671-01000	STOPPER , gear shift arm	1
31	09285-12002	OIL SEAL,gear shift shaft	1
32	25520-32C00	ARM COMP , gear shift link	1
33	01107-06208	BOLT, gear shift link arm	1
34	08310-11068	NUT, gear shift link rod R	1
35	25525HG5102	ROD, gear shift link	1
36	09140-06011	NUT, gear shift link rod L	1

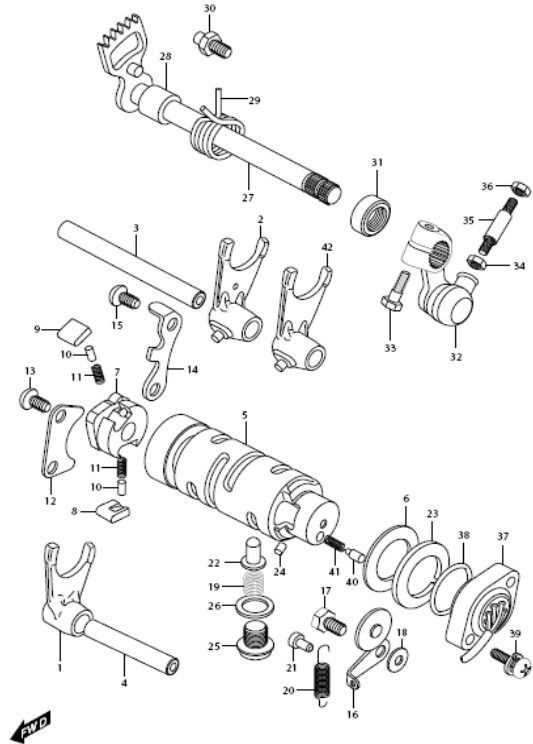
FIG.16



# FIG 16. GEAR SHIFTING

REF. NO.	8EN01	PARTS NAME	Q'TY (PCS)
37	37720HR8400	SENSOR ASS'Y, gear position	1
38	09280-26003	O-RING, gear shift switch	1
39	02112-95208	BOLT, gear position sensor	2
40	09209-05011	CONTACT, gear shift switch	1
41	09440-04010	SPRING, gear shift switch contact	1
42	25221HJ8200	FORK, gear shift No.2	1

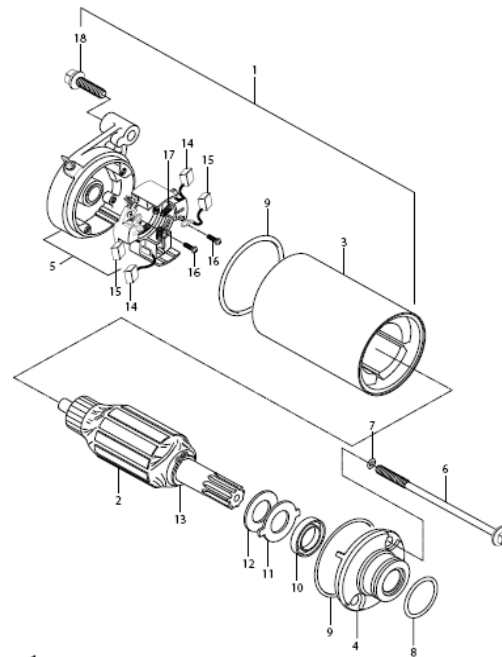
FIG.16



# FIG 17. STARTING MOTOR

REF. NO.	8EN01	PARTS NAME	Q'TY (PCS)
1	31100HG5100	MOTOR ASSY, starting	1
2	31310-11D00	.ARMATURE ASSY, starter	1
3	31100-05320	.YOKE ASSY, starter	1
4	31150-42A01	.HOUSING ASSY, starter	1
5	31175HG5100	.FRAME ASSY, commutator	1
6	31281-32C10	.BOLT, through	2
7	31156-38300	.O-RING	2
8	09280-24003	.O-RING	1
9	31264-35C10	.O-RING	2
10	31153-49210	.SEAL, oil	1
11	31361-32C00	.PLATE, lock	1
12	31361-38300	.WASHER, plate lock	1
13	31361-10200	.RING, shaft snap	1
14	31132-32C10	.BRUSH S UB-ASSY, starter	2
15	31131-32C20	.BRUSH, starter	2
16	31114-32C10	.SCREW	2
17	31135-32C10	.SPRING, compression coil	4
18	01547-06308	BOLT, starting motor	2

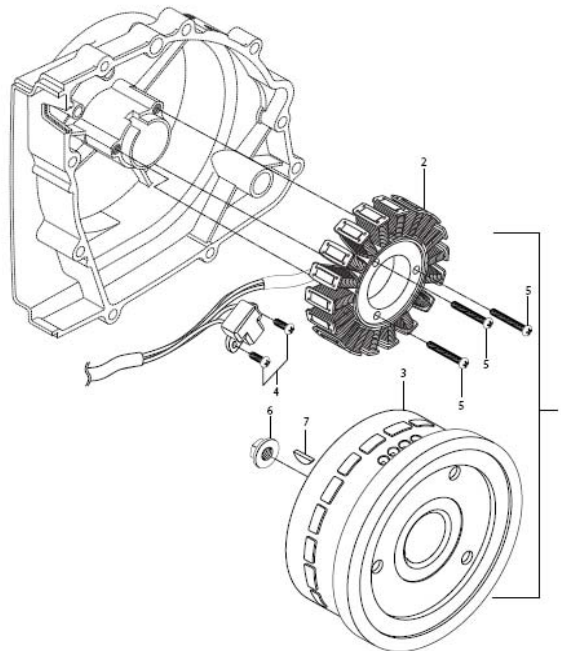
FIG.17



# FIG 18. MAGNETO ASS'Y

REF. NO.	PARTS NAME	Q'TY (PCS)
1	32100H88400 MAGNETO ASS'Y	1
2	32101HR8400 STATOR ASS'Y	1
3	32102H88400 ROTOR , fly wheel	1
4	02142-05128 SCREW, pick-up coil	2
5	02112-05258 SCREW, magneto stator	3
6	08316-26128 NUT, magneto fly wheel	1
7	08341-31049 KEY, magneto	1

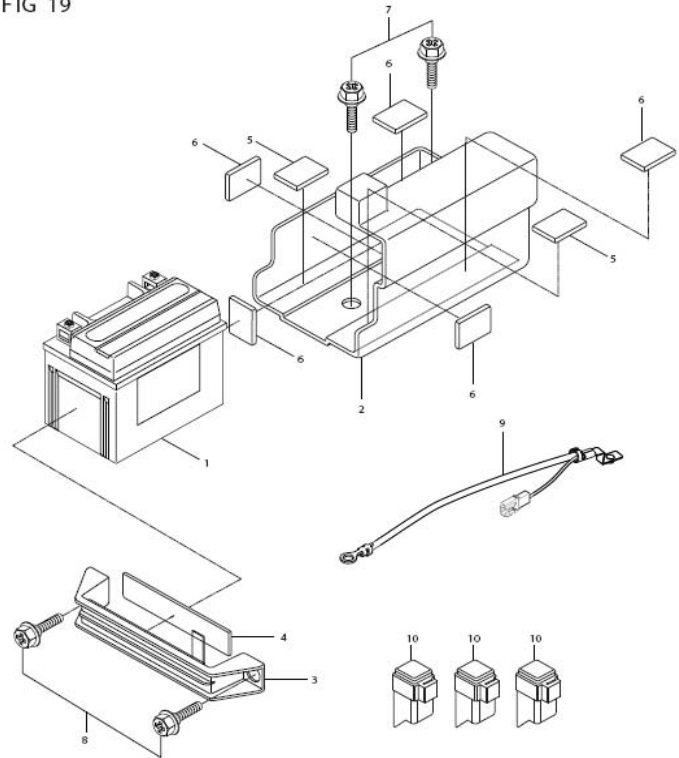
FIG 18



# FIG 19. BATTERY

REF. NO.	8EN01	PARTS NAME	Q'TY (PCS)
1	33610HP8800	BATTERY ASS'Y	1
2	41541HG5105	HOLDER , battery	1
3	41542HG5103	BAND, battery holder	1
4	33652-29100	CUSHION, battery holder band	1
5	46416HE6100	CUSHION, battery holder no.1	2
6	33652-01A10	CUSHION, battery holder no.2	5
7	02142-06166	BOLT, battery holder	2
8	09128-06039	BOLT, battery holder band	2
9	33860HG5100	LEADWIRE , battery minus	1
10	38740HG5100	RELAY ASS'Y. 12V 20A	3

FIG 19

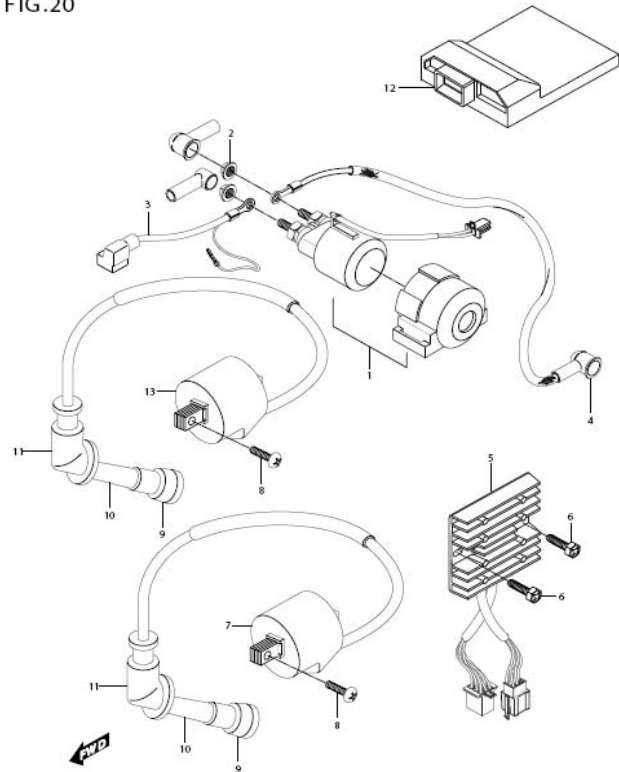




# FIG 20. ELECTRICAL

REF. NO.	8EN01	PARTS NAME	Q'TY (PCS)
1	31800HG5100	RELAY ASS'Y, starting motor	1
2	08316-26066	NUT, starter motor relay terminal	2
3	33840HL8200	LEAD WIRE, battery plus	1
4	33850H93B01	LEAD WIRE, starter motor	1
5	32800HN9101	RECTIFIER regulator ass'y	1
6	09128-06035	BOLT, rectifier	2
7	33410HP9310	COIL ASS'Y, ignition front	1
8	09128H06052	BOLT, ignition coil	4
9	33541-23E01	SEAL, spark plug	2
10	33510-05C01	CAP, spark plug	2
11	33542-24D00	SEAL, high tension cord	2
12	32900H88400	ENGINE CONTROL UNIT	1
13	33430HP9310	COIL ASS'Y, ignition rear	1
14	09180-06072	SPACER, ignition coil	4

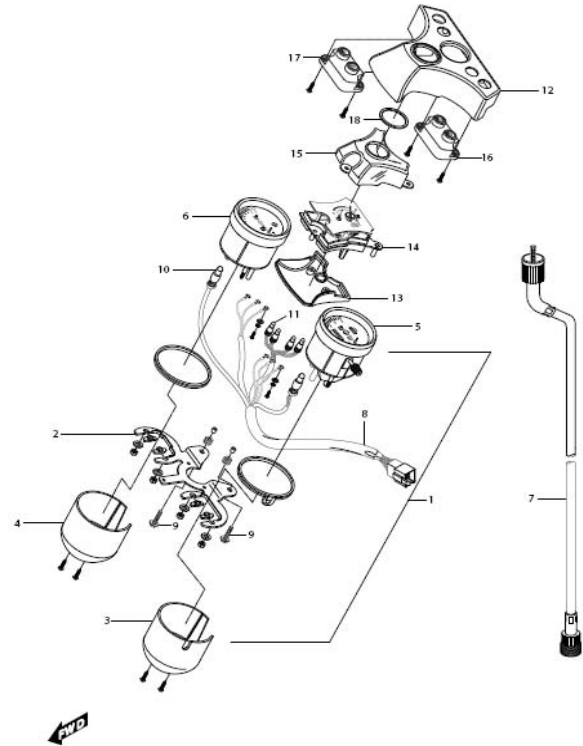
FIG.20



# FIG 21. SPEEDOMETER ASS'Y

REF. NO.	8EN01	PARTS NAME	Q'TY (PCS)
1	34100HR84A0	SPEEDOMETER ASS'Y	1
2	34950HG5100	BRACKET	1
3	34150H93B00	LOWER CASE, speedometer	1
4	34106H93B00	LOWER CASE, tachometer	1
5	34110HJ8200	SPEEDOMETER	1
6	34120HR84A0	TACHOMETER	1
7	34910HG5103	CABLE ASS'Y, speedometer	1
8	34117HR84A0	WIRING ASS'Y, speedometer	1
9	09116-06010	BOLT, speedometer bracket	2
10	09471-12128	BULB(12V 1.7W) T10	2
11	09471-12077	BULB(12V 1.7W) T6.5	4
12	39110HG5100	INDICATOR LAMP UPPER	1
13	39120HG5100	INDICATOR LAMP LOWER	1
14	34136HG5100	COVER, fuel meter	1
15	34135HG5100	LENS, fuel meter	1
16	34320HG5100	LAMP, housing LH	1
17	34310HG5100	LAMP, housing RH	1
18	34350HG5100	PACKING, fuel meter	1

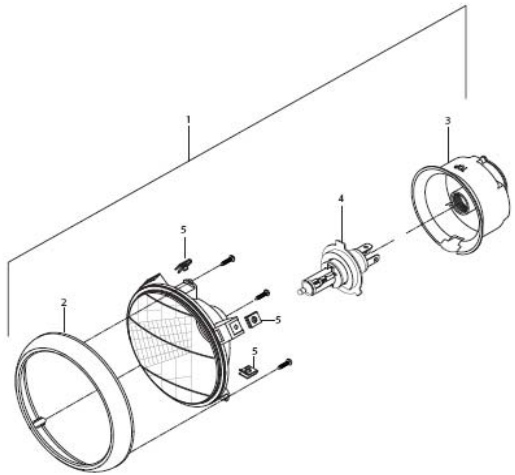
FIG.21



# FIG 22. HEAD LAMP

REF. NO.	PARTS NAME	Q'TY (PCS)
1	HEAD LAMP ASS'Y	
35100HM8162	HEAD LAMP ASS'Y	1
2	RIM, headlamp	1
3	DUST COVER	1
4	BULB, head lamp(12v 60/55w)	1
5	NUT, head lamp(M5)	3

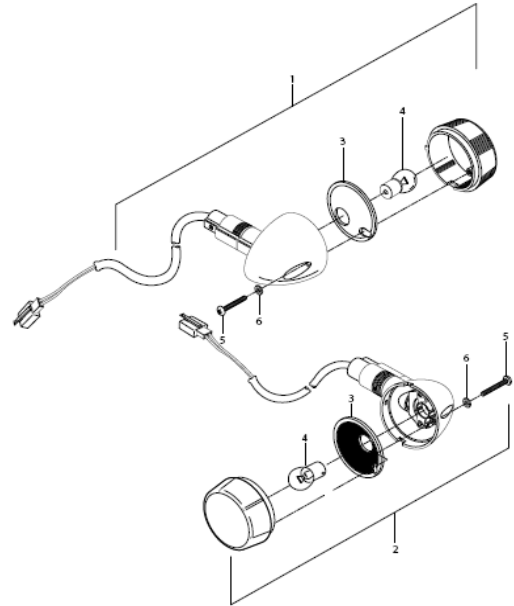
FIG.22



# FIG 23. FRONT TURN SIGNAL LAMP

REF. NO.	8EN01	PARTS NAME	Q'TY (PCS)
1	35601HS8400	LAMP ASS'Y, Ft turnsignal R	1
2	35602HS8400	LAMP ASS'Y, Ft turnsignal L	1
3	35614HS8400	REFLECTOR	2
4	09471-12003	BULB(12V, 10W)	2
5	02142-05246	SCREW, turnignal lamp	2
6	35609H93B00	VINYL WASHER	2

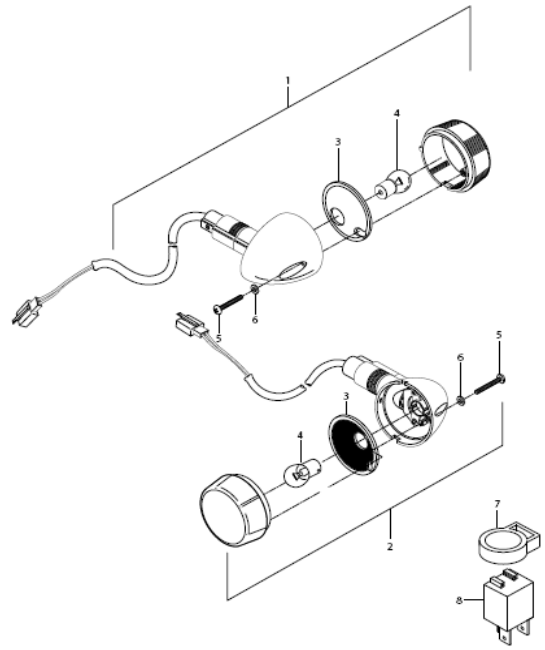
FIG.23



# FIG 24. REAR TURN SIGNAL LAMP

REF. NO.	8EN01	PARTS NAME	Q'TY (PCS)
1	35603HS8400	LAMP ASS'Y, Rr turnsignal R	1
2	35604HS8400	LAMP ASS'Y, Rr turnsignal L	1
3	35614HS8400	REFLECTOR	2
4	03211-04358	BULB(12V, 10W)	2
5	02142-05246	SCREW, turnsignal lamp	2
6	35609H93B00	VINYL WASHER	2
7	38612H11200	BAND, turnsignal	1
8	39610HR9700	RELAY ASS'Y, turnsignal	1

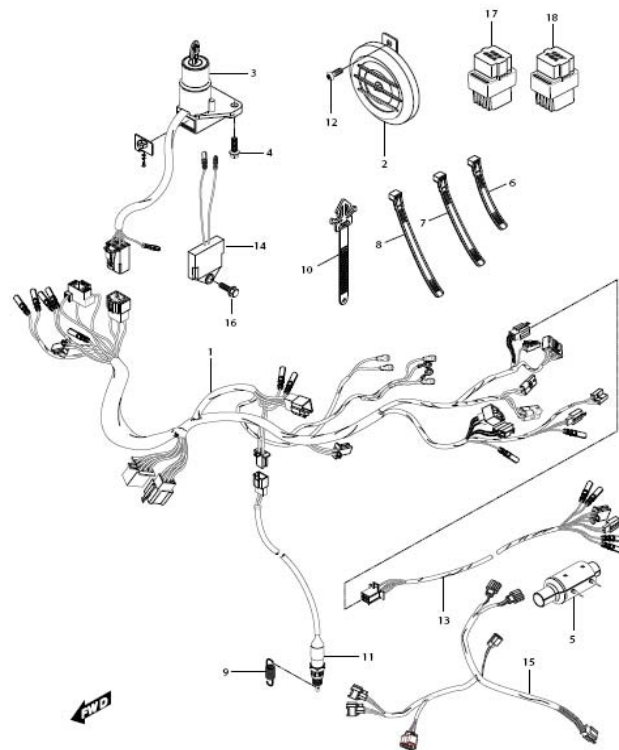
FIG.24



# FIG 25. WIRING HARNESS

REF. NO.	8EN01	PARTS NAME	Q'TY (PCS)
1	36610H88451	HARNESS, wiring	1
2	38500HG5100	HORN ASS'Y	1
3	38510H93B00	LOCK ASSY, steering	1
4	01517-06166	BOLT, steering lock	2
5	36618-30610	TUBE, magneto lead wire	1
6	09407-14403	CLAMP, wiring harness	3
7	09407-20406	CLAMP, wiring harness	2
8	09407-22402	CLAMP, wiring harness	2
9	09443-06012	SPRING	1
10	09407-14408	CLAMP, wiring harness	3
11	37740H93B00	SWITCH ASS'Y, brake lamp	1
12	02112-36128	SCREW, horn	1
13	36670HJ8200	LEAD WIRE, rear compi	1
14	37890HP8810	SENSOR ASS'Y, tip over	1
15	17760H88600	LEAD WIRE, sensor parts	1
16	02142-06165	SCREW, tip over sensor	1
17	36740HN9100	BOX ASS'Y, fuse(30A)	1
18	36740-35C00	BOX ASS'Y, fuse(15A)	1

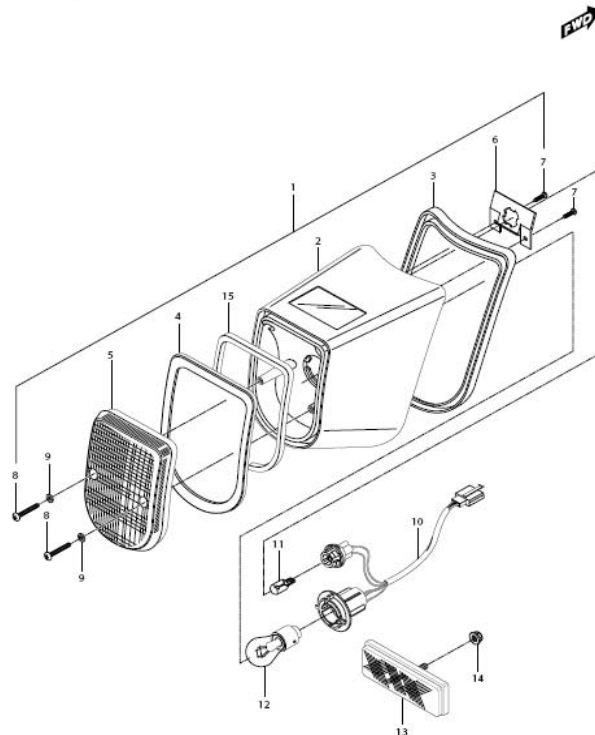
FIG.25



# FIG 26. REAR COMBINATION

REF. NO.	PARTS NAME	Q'TY (PCS)
1	35710HJ8251 LAMP ASS`Y, rear combi	1
2	35720HJ8200 REFLECTOR, housing	1
3	35718HJ8200 RUBBER, housing	1
4	35716HJ8200 BRACKET, reflector	1
5	35712HJ8250 LENS, tail & stop	1
6	35927HJ8200 BRACKET, license	1
7	03211-04126 SCREW, license(M4x12)	2
8	03211-04206 SCREW, lens(M4x20)	2
9	35609H93B00 VINYL WASHER	2
10	35760HJ8200 SOCKET ASS'Y	1
11	09471-12210 BULB, license lamp(12V 5W)	1
12	09471-12046 BULB, tail & stop(12V 21/5W)	1
13	35970-17301 REFLEX REFLECTOR ASS'Y, rear	1
14	08316-26055 NUT, rear reflex reflector	1
15	35722HJ8200 SPONGE, tail & stop	1

FIG.26

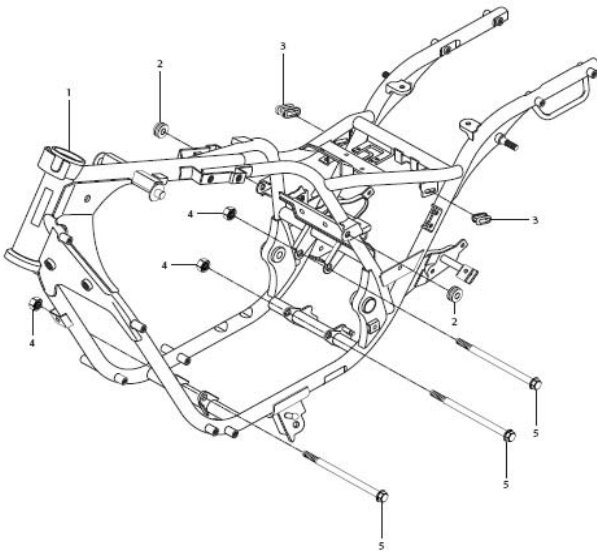


# FIG 27. FRAME

REF.	PARTS NAME	Q'TY
------	------------	------

NO.	8EN01	(PCS)	
1	41100H88400PAM	FRAME COMP	1
2	09320-08018	CUSHION, frame & side cover r/l	2
3	09320H06002	CUSHION, frame & side cover r/l	2
4	08319-31106	NUT, frame & engine	3
5	09103H10022	BOLT, frame & engine L=110	3

FIG 27

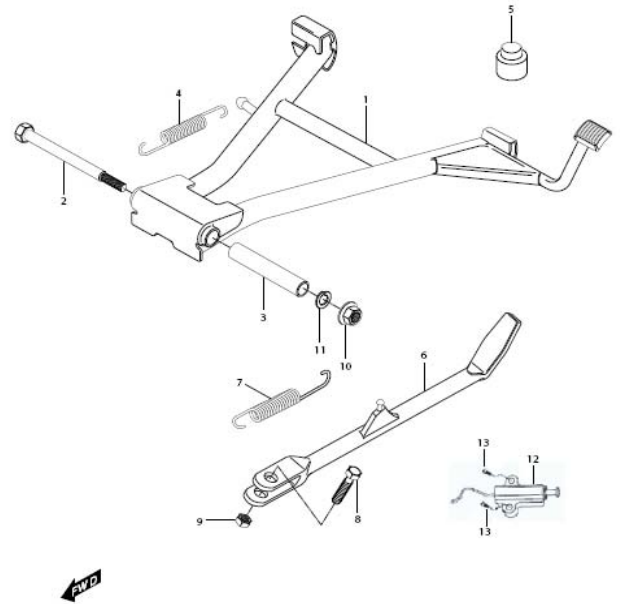




# FIG 28. CENTER STAND

REF. NO.	8EN01	PARTS NAME	Q'TY (PCS)
1	42100HG5103	STAND COMP, center	1
2	09103H10022	BOLT, center stand	1
3	42191-35C00	SPACER, center stand	1
4	09443-17015	SPRING, center stand	1
5	09321-10001	CUSHION, muffler & center stand	1
6	42310HJ8250PLA	STAND, prop	1
7	09443-15047	SPRING, prop stand outer	1
8	09100-10031	BOLT, prop stand	1
9	08310-22106	NUT, prop stand	1
10	08316-26106	NUT, center stand	1
11	08321-31106	LOCK WASHER, center stand	1
12	37840HJ8250	SWITCH, side stand	1
13	01517-06205	BOLT, Side Stand Switch	2

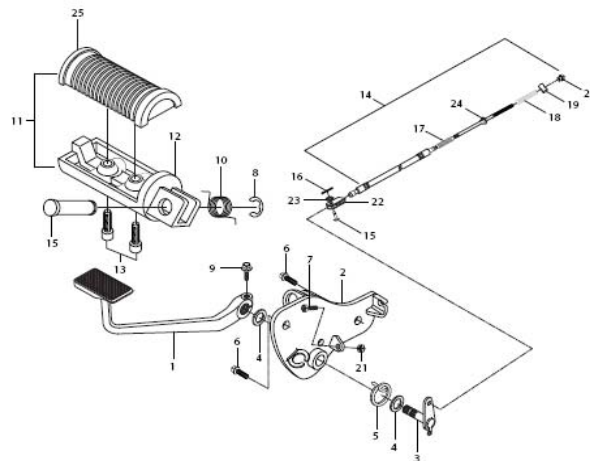
FIG.28



# FIG 29. REAR BRAKE

REF. NO.	8EN01	PARTS NAME	Q'TY (PCS)
1	43110HD6301PLA	PEDAL COMP, brake	1
2	43510HG5102PLA	BRACKET COMP, front footrest R	1
3	43120H93B00	ARM COMP, brake rod	1
4	43212-04A00	WASHER, brake pedal	1
5	43213-29B00	SPRING, brake pedal	1
6	01527-10258	BOLT, front footrest bracket	2
7	09128-06005	BOLT, brake adjuster	1
8	08332-11106	E-RING, front footrest	1
9	01517-06206	BOLT, brake pedal	1
10	09448H16001	SPRING, front footrest bar	1
11	43501H93B11	FOOTREST ASS'Y, front R	1
12	43571H93B02	BAR, front footrest R	1
13	07110-06128	BOLT, front footrest bar	2
14	58500HG5102	CABLE ASS'Y, rear brake	1
15	09200-06010	PIN, rear brake cable	1
16	04111-20206	COTTER PIN, rear brake cable	1
17	58515H93B00	DUST SEAL-2, rear brake cable	1
18	09440-09004	SPRING, rear brake adjuster	1
19	09209H11006	PIN, rear brake cable rod lever	1
20	09150-06001	NUT, rear brake cable adjuster	1
21	08310-11066	NUT, brake pedal adjuster	1
22	43533-35C00	HOLDER, rear brake cable	1
23	08322-21068	WASHER	1
24	08332-21068	WASHER	1
25	43550H93B00	RUBBER COMP, front footrest	1

FIG.29

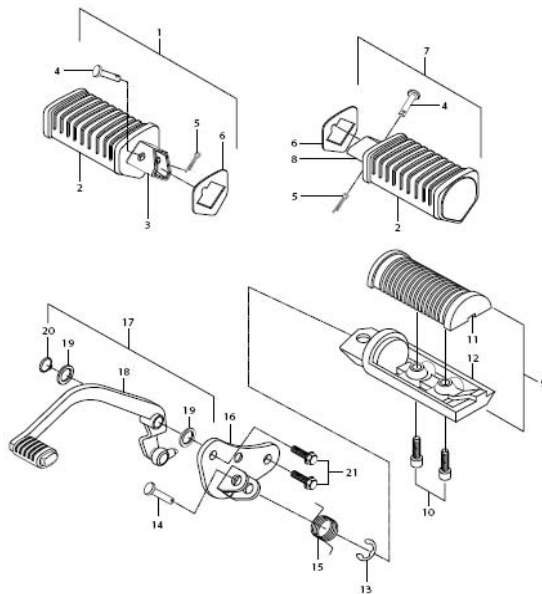


# FIG 30. FOOTREST

REF. NO.	8EN01	PARTS NAME	Q'TY (PCS)
----------	-------	------------	------------

1	43600H93B00	FOOTREST ASSY, pillion R	1
2	43612-05351	RUBBER, pillion footrest	2
3	43610-05350	BAR COMP, pillion footrest R	1
4	09200-06010	PIN, pillion footrest	2
5	04111-20206	COTTER PIN, pillion footrest	2
6	43631-05350	WASHER, pillion footrest rubber	2
7	43700H93B00	FOOTREST ASSY, pillion L	1
8	43620-05350	BAR COMP, pillion footrest L	1
9	43502H93B11	FOOTREST ASSY, front L	1
10	07110-06128	.BOLT, front footrest bar(M6x12)	2
11	43550H93B00	.RUBBER COMP, front footrest	1
12	43581H93B02	.BAR, front footrest L	1
13	08332-11106	E-RING, front footrest	1
14	09200H12001	PIN, front footrest bar	2
15	09448H16001	SPRING, front footrest bar	1
16	43560HG5101PLA	BRACKET, front footrest L	1
17	25609HG5101	LEVER ASSY, gear shift cam	1
18	25610HG5101	LEVER COMP, gear shift cam	1
19	09160-12011	WASHER, gear shift lever	2
20	08331-31128	CIRCLIP, gear shift lever	1
21	01527-10258	BOLT,front footrest bracket	2

FIG.30

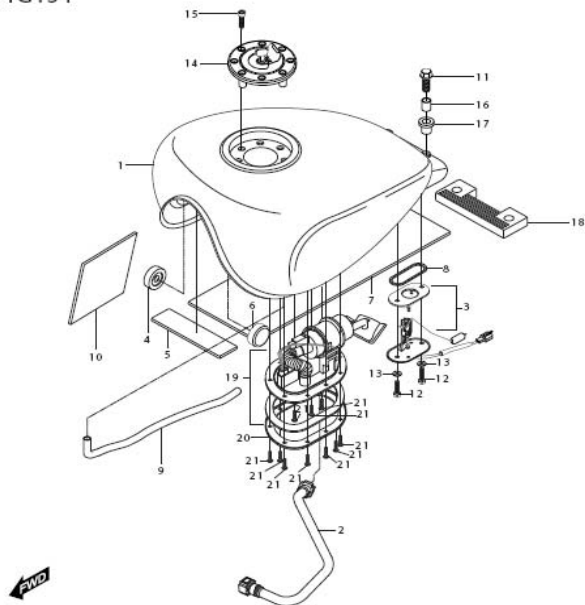


# FIG 31. FUEL TANK

REF. NO.	8EN01	PARTS NAME	Q'TY (PCS)
-------------	-------	------------	---------------

1	44110H88400CBK	TANK COMP, fuel (BLACK)	1
1	44110HRW1000RN	TANK COMP, fuel (BLACK+RED)	1
1	44110HRW1000SN	TANK COMP, fuel (BLACK+SILVER)	1
2	15810H88400	HOSE COMP , fuel comp	1
3	34810H88400	GAUGE ASS'Y, fuel sender	1
4	09329-10007	CUSHION, fuel tank inner front	1
5	44213HG5100	CUSHION, fuel tank inner body	1
6	09329-10007	CUSHION, fuel tank inner front	1
7	44214HR8400	CUSHION, fuel tank inner body NO.1	1
8	44348-28070	O-RING	1
9	09352H70103650	HOSE , fuel tank drain l=650	1
10	44215HG5100	CUSHION, fuel tank inner body NO.2	2
11	09116H06084	BOLT, fuel tank R R cushion	2
12	09128-06035	BOLT, fuel sender	2
13	09168-06010	GASKET, fuel sender	2
14	44200H35C30	CAP ASS'Y, fuel tank filler	1
15	09106-05017	BOLT, fuel tank filler	4
16	09180H06003	SPACER , fuel tank R R cushion	2
17	09320-10022	CUSHION, fuel tank R R NO.2	2
18	44542-38300	CUSHION, fuel tank R R NO.1	1
19	15100H88400	PUMP AS S 'Y, fuel pump module	1
20	68100HG5100	PLATE , fuel pump module	1
21	09125H06016	SCREW, fuel pump module	10
22	68319H05350PL	LABEL,CAUTION (ENGLISH)	1
22		LABEL,CAUTION (GERMANY)	1
22		LABEL,CAUTION (SPAIN)	1
22		LABEL,CAUTION (FRENCH)	1

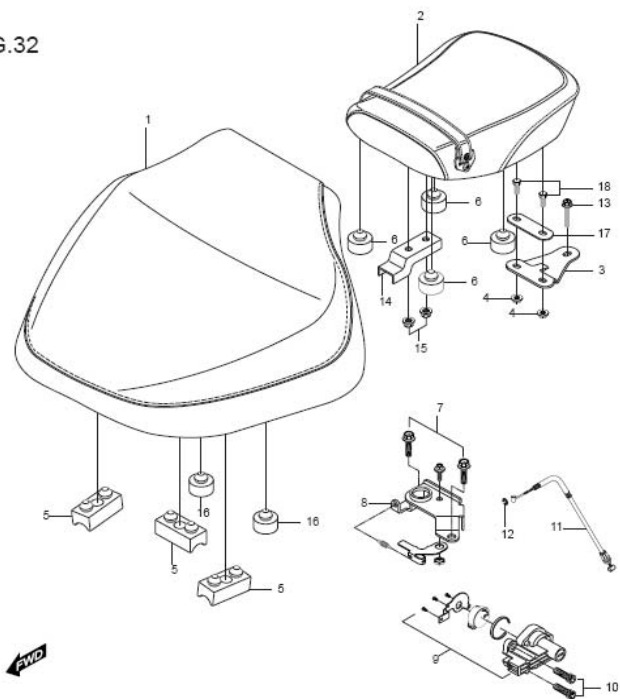
FIG. 31



# FIG 32. SEAT

REF. NO.	8EN01	PARTS NAME	Q'TY (PCS)
1		SEAT SET, front	1
1	45110HG5102L08	SEAT SET, front- BLACK+RED	1
1	45110HG5102L09	SEAT SET, front -BLACK, BLACK+SILVER	1
2		SEAT SET, rear	1
2	45200HJ8202L08	SEAT SET, rear- BLACK+RED	1
2	45200HJ8202L09	SEAT SET, rear -BLACK, BLACK+SILVER	1
3	45291HJ8201	BRACKET, seat rear	1
4	08316-26068	NUT, seat rear bracket	2
5	09321H08007	CUSHION	3
6	45192HG5100	CUSHION	4
7	01517-06166	BOLT, seat striker	2
8	45220H93B00	LOCK ASS`Y, seat striker	1
9	95700-93B30	LOCK ASS`Y, seat	1
10	09106-06030	BOLT, seat lock	2
11	45280HG5101	CABLE COMP, seat lock	1
12	08332-11056	E-RING, seat lock cable	1
13	01517-06256	BOLT, rear seat brkt & tail cover	1
14	45233HG5100	BRKT, seat rear hook	1
15	08316-26066	NUT, seat rear hook	2
16	09321-100B2	CUSHION	2
17	45231HG5100	REINF, rr seat support	1
18	09119-06065	BOLT, rear seat brkt	2

FIG.32

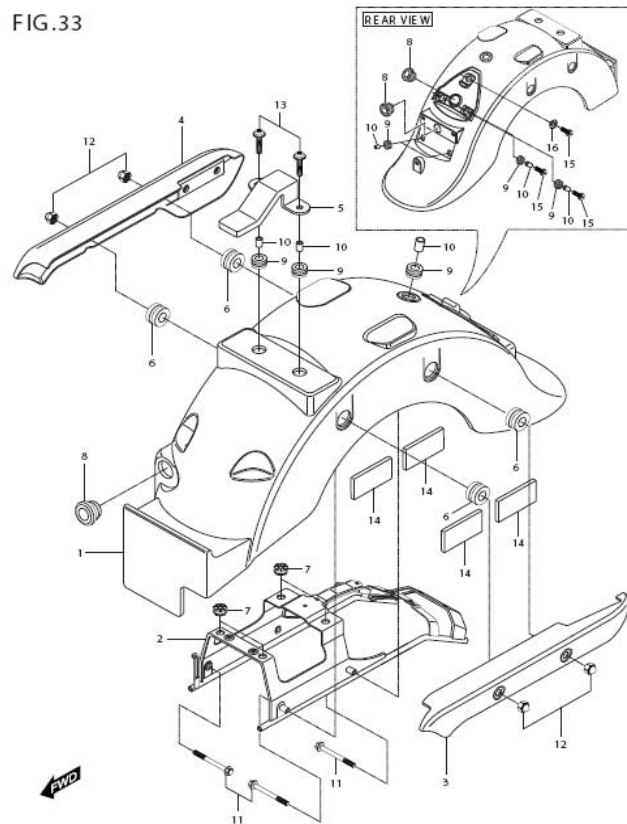


# FIG 33. TAIL COVER

REF. NO.	8EN01	PARTS NAME	Q'TY (PCS)
-------------	-------	------------	---------------

1	45511HJ8210CBK	COVER,seat tail (BLACK)	1
1	45511HJW100CRN	COVER,seat tail (BLACK+RED)	1
1	45511HJW100CSN	COVER, seat tail	1
2	45520HJ8201	BRACE COMP, seat tail cover	1
3	46230HG5100PLA	PLATE COMP, pillion rider L	1
4	46220HG5100PLA	PLATE COMP, pillion rider R	1
5	45232HG5100	BRACKET, seat tail & seat	1
6	09320-11008	CUSHION, seat tail cover side	4
7	94434H29E00	CUSHION, seat tail cover brace	4
8	09320H12060	GROMMET, seat tail cover	3
9	09320-09016	CUSHION, seat tail cover upper	7
10	09180-06114	SPACER, seat tail cover upper	7
11	01517-08606	BOLT, pillion rider plate	4
12	08313-11087	NUT, pillion rider plate	4
13	09136H06114	SCREW, seat tail cover upper	4
14	33652-38A10	CUSHION, tail cover	4
15	01517-06256	BOLT, seat tail rear cover	3
16	09169-06032	WASHER, tail rear cover upper	1

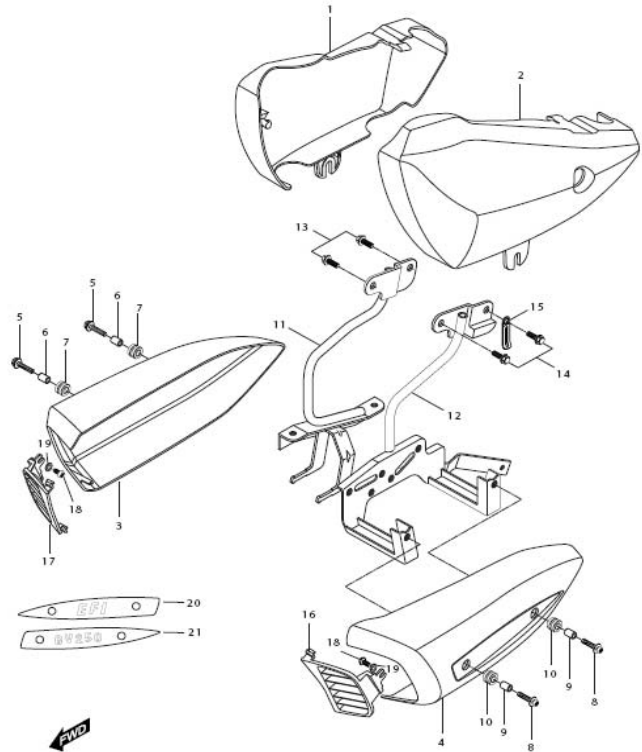
FIG.33



# FIG 34. SIDE COVER(2009)

REF. NO.	8EN01	PARTS NAME	Q'TY (PCS)
1	4711H88400CBK	COVER, side R (COMMOM)	1
2	4721H88400CBK	COVER, side L (COMMON)	1
3	4741H88400	COVER, air clnr element RH	2
4	47421H88400	DECO, fuel tank lower & bracket LH	2
5	09136-06022	SCREW, air cleaner element cover RH(M6*20)	2
6	09180-06084	SPACER, air cleaner element cover RH	2
7	09320-09016	CUSHION, air cleaner element cover RH	2
8	09136-06022	SCREW, tank low deco LH & bracket(M6*20)	2
9	09180-06084	SPACER, fuel tank low deco LH	1
10	09320-09016	CUSHION, fuel tank low deco LH	1
11	47450H8840003P	BRACKET COMP, air clnr elem cover RH	1
12	47460HG510903P	BRACKET COMP, air lower deco LH & fra	1
13	01517-08166	BOLT, air cleaner element cover bracket(M8*16)	2
14	01517-08166	BOLT, tank lower deco bracket(M8*16)	2
15	09404-08403	CLAMP, deco brkt & igniton coil	1
16	47426H88400	GRILL,DECO COVER L	1
17	47427H88400	GRILL,DECO COVER R	1
18	03241-05105	Screw, adj cable brkt	2
19	09160-05016	CUSHION.	2
20	68174H88400	STICKER AIR CLEANER R	2
21	68176H88400	STICKER AIR CLEANER -L	2

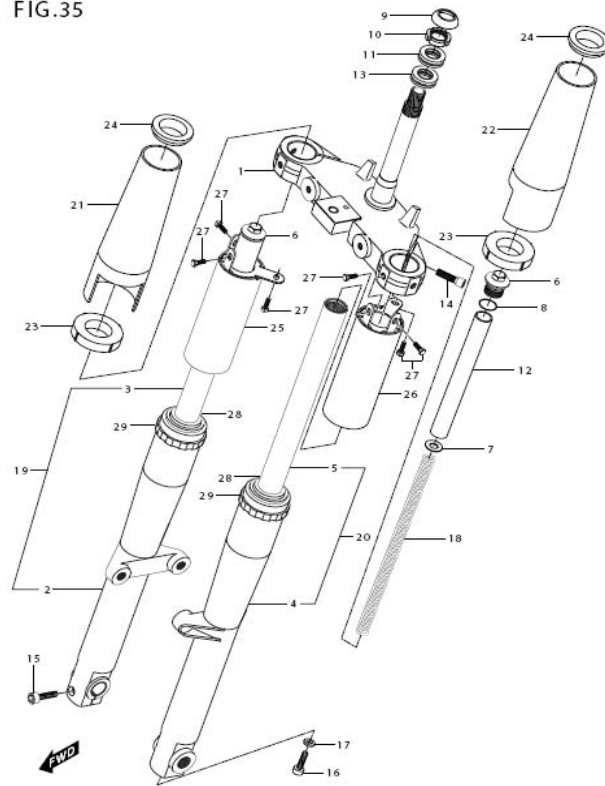
FIG.34 (2009)



# FIG 35. FRONT FORK

REF. NO.	8EN01	PARTS NAME	Q'TY (PCS)
0		FORK ASS'Y,front	1
1	51410HJ8203	BRACKET COMP, under	1
2	51420HJ8200	.CASE, bottom R	1
3	51415HG5100	PIPE, FORK R	1
4	51520HJ8200	.CASE, bottom L	1
5	51415HG5100	PIPE, FORK L	1
6	51351HG5100	BOLT, front fork upper	2
7	51402HG5100	.GUIDE,spring	2
8	91356HG5100	.O-RING	2
9	51643HG5801	DUST SEAL, steering upper	1
10	51631-28001	NUT, steering stem	1
11	09265H28001	BEARING, steering upper(28*52*16)	1
12	51610HG5100	.SPACER, front fork inner	2
13	09265H28001	BEARING, steering lower(28*52*16)	1
14	07110-08258	BOLT, bracket comp(M8*25)	2
15	07110-08358	BOLT, front fork clamp R (M8*25)	1
16	07110-08256	BOLT, fork clip (M8*25)	1
17	90544H93B00	.WASHER,spacer	2
18	51410HG5100	.SPRING, cushion	2
19	51210H88400	DAMPER ASS'Y, R	1
20	51220H88400	DAMPER ASS'Y, L	1
21	51881HJ8200	COVER,front fork upper,R	1
22	51881HJ8200	COVER,front fork upper,L	1
23	51886HJ8200	CUSHION,front fork cover No.2	2
24	51885HJ8200	CUSHION,front fork cover No.1	2
25	51882H88400PLA	COVER COMP,front fork lower RH	1
26	51883H88400PLA	COVER COMP,front fork lower LH	1
27	09128-06004	BOLT,front fork cover lower (M6*30)	6
28	51240-G5100	OIL SEAL, FORK	1
29	51241H88400	GUARD, Front fork lower cover	2

FIG.35

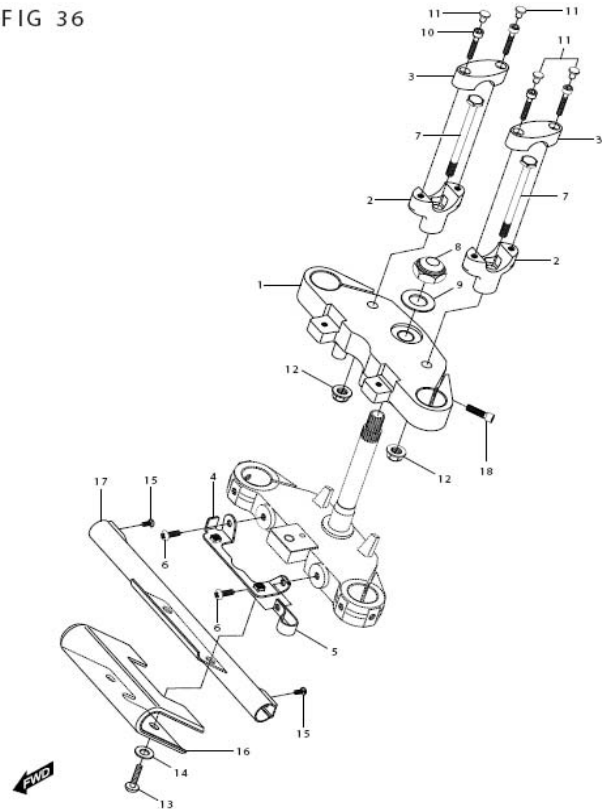




# FIG 36. STEERING HEAD

REF. NO.	8EN01	PARTS NAME	Q'TY (PCS)
1	51311HG510803P	BRACKET, front fork upper	1
2	56221HG510503P	HOLDER, handle lower	2
3	56211HG510503P	HOLDER, handle upper	2
4	51760HG5102	GUIDE, under bracket & cable	1
5	09403-14404	CLAMP, bracket hose No.2	1
6	02142-06126	SCREW, upper cable guide No.1	2
7	09100H10071	BOLT, handle holder lower	2
8	09159H22002	NUT, str upper	1
9	09160H22032	WASHER, str upper	1
10	07110-08306	BOLT, handle holder upper	4
11	5622HG5100	CAP, handle holder up bolt	4
12	08319-31108	NUT, handle holder lower	2
13	09136-06022	SCREW, under bracket cover	2
14	09169H06011	WASHER, turnsignal lamp & cover	2
15	02142-05125	SCREW, turnsignal lamp & cover	2
16	51710HJ8201	COVER, turn signal tube	1
17	51720HJ8201PLA	TUBE COMP, turn signal	1
18	07110-08258	BOLT, brkt upper	2

FIG 36

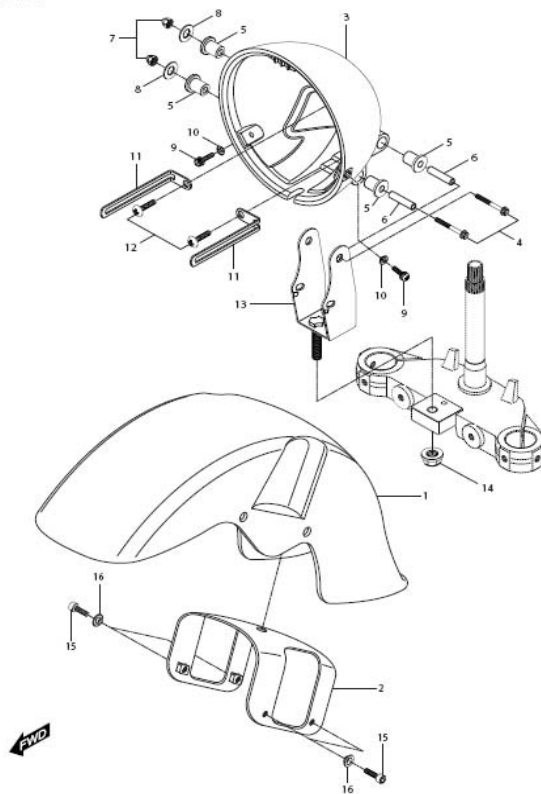


# FIG 37. FRONT FENDER

REF. NO.	PARTS NAME	Q'TY (PCS)
-------------	------------	---------------

1	53111HJ8202CBK	FENDER, front (BLACK)	1
1	53111HJW100CRN	FENDER, front (BLACK+RED)	1
1	53111HJW100CSN	FENDER, front (BLACK+SILVER)	1
2	53211HJ8201	BRACE, front fender	1
3	5181HG5150	HOUSING, head lamp	1
4	09103H06013	BOLT, headlamp housing & bracket	2
5	09320H09017	CUSHION, headlamp housing & brkt	4
6	09180H06034	SPACER, headlamp housing & brkt	2
7	08313-11066	NUT, headlamp housing & bracket	2
8	09160-06060	WASHER, headlamp housing & brkt	2
9	02112-95208	SCREW, housing & headlamp	2
10	09169-05008	WASHER, housing & headlamp	2
11	09404-06405	CLAMP, headlamp housing	2
12	03241-05106	SCREW, headlamp housing clamp	2
13	51820HJ8201	BRACKET COMP, headlamp housing	1
14	08319-31106	NUT, housing brkt & under bracket	1
15	07110-08256	BOLT, front fender	4
16	09169-08034	WASHER, front fender	4

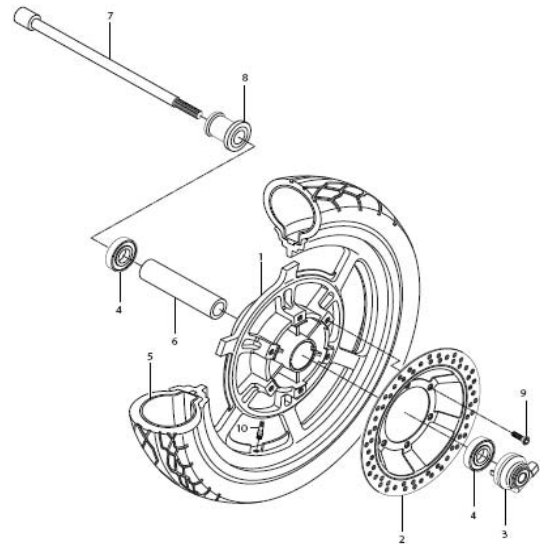
FIG.37



# FIG 38. FRONT WHEEL

REF. NO.	8EN01	PARTS NAME	Q'TY (PCS)
0	54140HG5100HPA	WHEEL ASSY,front	
1	54141HG5104	WHEEL, front (J16xMT2.50)	1
2	59211HG5101	DISC, front brake	1
3	54600HG5102	BOX ASS'Y, speedometer gear	1
4	08124-63027	BEARING, front hub (R/L)	2
5	55101HJ8200	TIRE SET, front (110/90-16 59s)	1
6	54731HG5100	SPACER, front hub bearing	1
7	54711HG5101	AXLEL, front	1
8	54750HG5100	SPACER COMP, front axle L	1
9	59421-03A01	BOLT, front brake disc	6
10	55220-41D10	VALVE ASS'Y, wheel rim	1

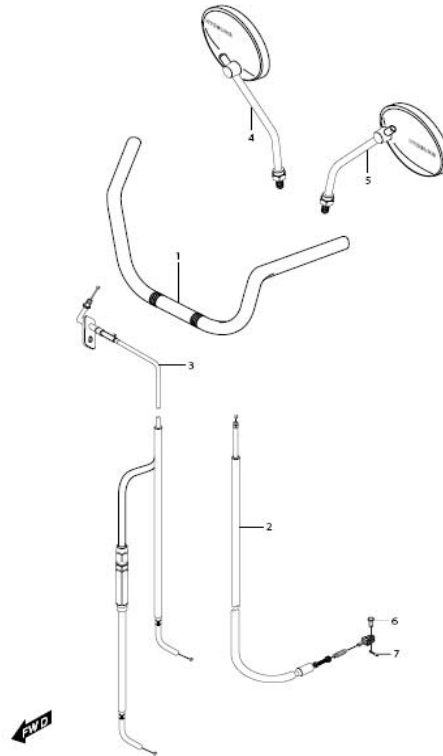
FIG.38



# FIG 39. HANDLE BAR

REF. NO.	8EN01	PARTS NAME	Q'TY (PCS)
1	56110H88401WED	HANDLE BAR COMP	1
2	58200HG5101	CABLE ASS'Y CLUTCH	1
3	58300HR8401	CABLE ASS'Y, throttle	1
4	56500HG5150	MIRROR ASS'Y, rear view R	1
5	56600HG5150	MIRROR ASS'Y, rear view L	1
6	09200-06004	PIN, clutch cable	1
7	04111-20158	COTTER PIN, clutch	1
*	56501HG5150	MIRROR SET(RH + LH)	1

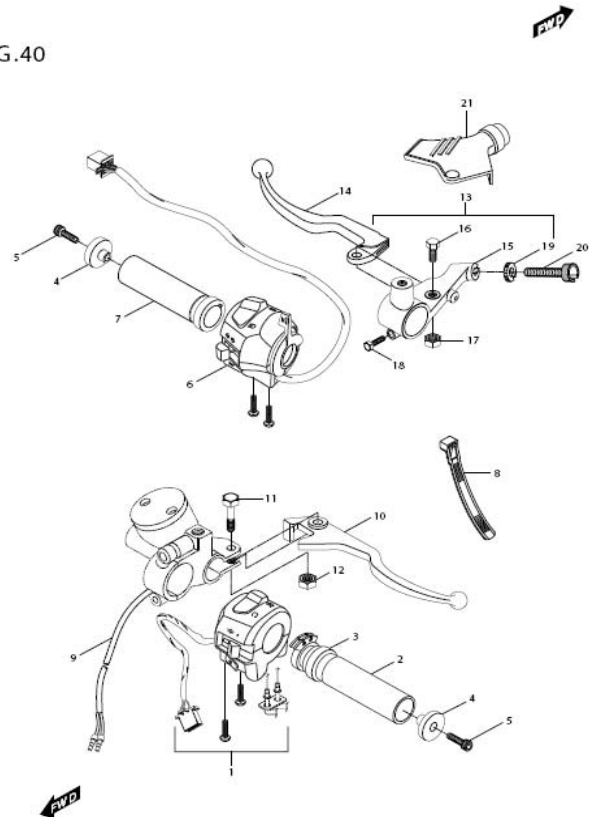
FIG.39



# FIG 40. HANDLE SWITCH

REF. NO.	8EN01	PARTS NAME	Q'TY (PCS)
1	37200HR8450	SWITCH ASSY, handle R	1
2	57110HG5102	GRIP COMP, throttle	1
3	57113H93B00	COVER, throttle grip	1
4	56271H93B01	BALANCER	2
5	07110-08258	BOLT, handle balancer	2
6	37400HR8400	SWITCH ASSY, handle L	1
7	57210HG5100	GRIP COMP, L	1
8	09407-20406	CLAMP, handle switch lead wire	1
9	57460H93B00	SWITCH ASSY, stop	1
10	57421HJ8200	LEVER, brake	1
11	57431H18622	BOLT, brake lever pivot	1
12	08319-21068	NUT, brake lever pivot	1
13	57500HG5160	LEVER ASSY, clutch	1
14	57620HN9101	CLUTCH LEVER	1
15	57511HG5160	HOLDER, clutch lever	1
16	57431H18623	BOLT, brake lever pivot	1
17	08319-21068	NUT, brake lever pivot	1
18	57531HN9100	BOLT, clutch lever pivot	1
19	57442H93B00	LOCK NUT	1
20	57441H93B00	ADJUSTER, wire	1
21	57661HN9100	COVER, clutch lever	1

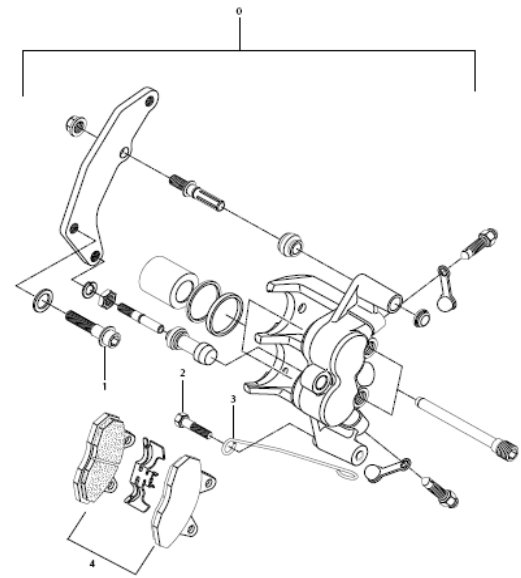
FIG.40



# FIG 41. CALIPER

REF. NO.	8EN01	PARTS NAME	Q'TY (PCS)
0	59300HG5112	CALIPER ASS'Y, L	1
1	09103H08254	BOLT, caliper	2
2	01514-06106	BOLT, speedometer cable guide	1
3	51418HF4501	GUIDE, speedometer cable	1
4	59301HP9500	.PAD COMP,caliper(8.4t)	

FIG.41

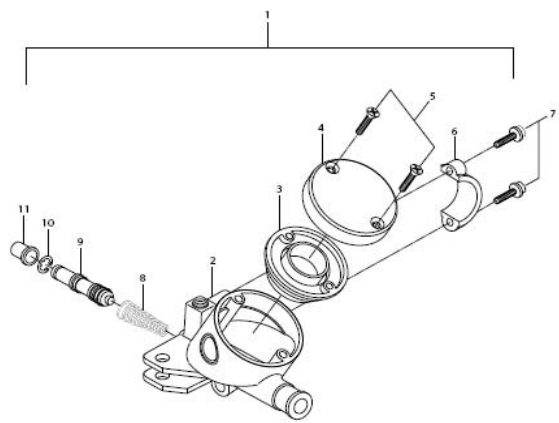


# FIG 42. MASTER CYLINDER

REF. NO.	8EN01	PARTS NAME	Q'TY (PCS)
----------	-------	------------	------------

1	59600HG5102	CYLINDER ASSY, front master	1
2	59661H93B00	.BODY	1
3	59686H93B00	.DIAPHRAGM	1
4	59669H93B00	.CAP, reservoir	1
5	59691H93B00	.SCREW, reservoir	1
6	59671H93B00	.HOLDER	1
7	59693-45100	.BOLT SET	1
8	59621-36500	.SPRING, return	1
9	59611-36500	.PISTON	1
10	59665-36500	.CIRCLIP	1
11	59666-54100	.BOOT COMP	1

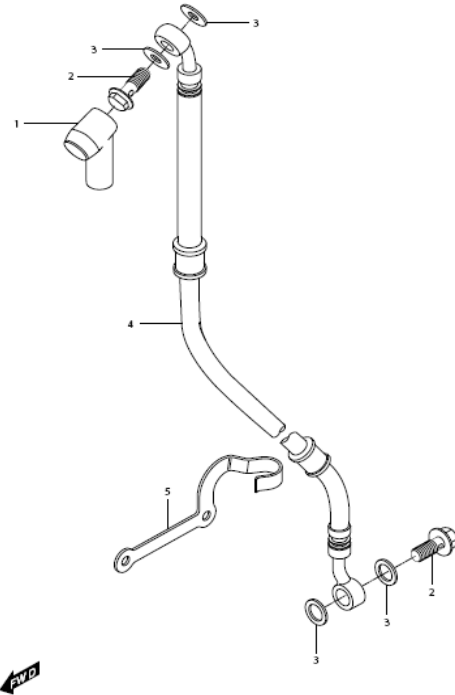
FIG.42



# FIG 43. FRONT BRAKE HOSE

REF. NO.	8EN01	PARTS NAME	Q'TY (PCS)
1	59711H49002	BOOT, brake hose	1
2	09360-10039	BOLT, brake hose	2
3	09161-10005	WASHER, brake hose	4
4	59480H88400	HOSE, front brake	1
5	59266HJ8200	CLAMP, brake hose No.1	1

FIG.43

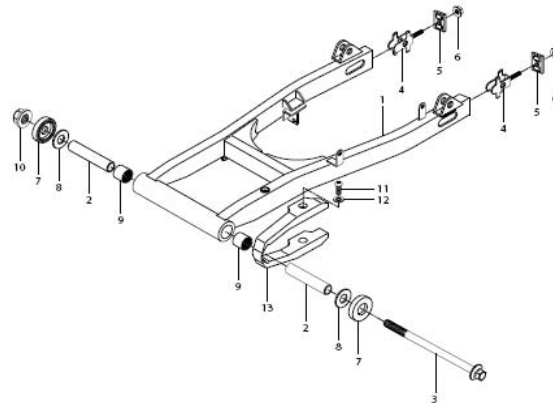




# FIG 44. SWINGING ARM

REF. NO.	8EN01	PARTS NAME	Q'TY (PCS)
1	61100HJ8204PAM	SWINGING ARM ASS'Y, rear	1
2	61251HG5100	SPACER, swing. arm. pivot. bearing	2
3	61211HG5101	SHAFT, rear swinging arm. pivot	1
4	61410HJ8200	ADTUSTER COMP, chain	2
5	61421-01D00	PLATE, chain adjuster guide	2
6	08319-31088	NUT, chain adjuster	2
7	61262-45002	COVER, rear swinging arm pivot	2
8	08211-14341	THRUST WASHER, swinging arm pivot	2
9	09263-22017	BEARING, rear swinging arm pivot	2
10	08319-31128	NUT, rear swinging arm pivot	1
11	02142-06166	SCREW, chain touch defense buffer	2
12	09169H06011	WASHER, chain touch defense buffer	2
13	61273HJ8200	BUFFER, chain touch deffnse	1

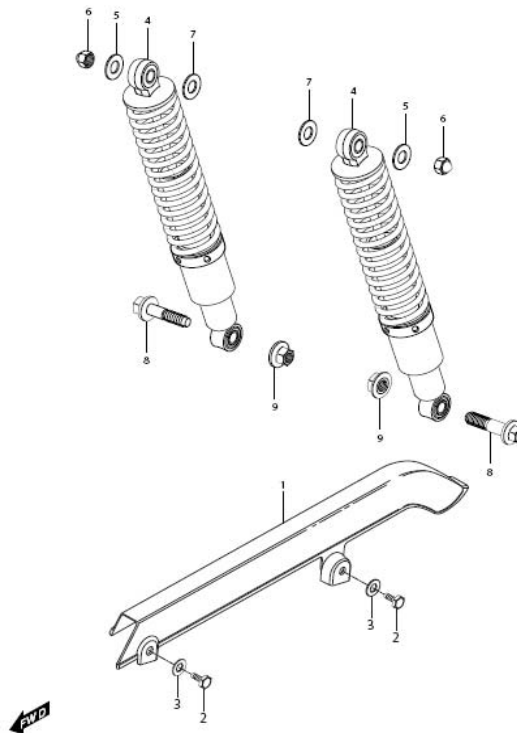
FIG.44



# FIG 45. REAR SHOCK ABSORBER

REF. NO.	8EN01	PARTS NAME	Q'TY (PCS)
1	61311HG5103	CASE, chain	1
2	01104-06128	BOLT, chain. case	2
3	09169-06010	WASHER, chain case	2
4	62100HJ8200	REAR SHOCK ABSORBER ASS'Y	2
5	09160-10001	WASHER, rear shock absorber upper	2
6	08313-11107	NUT, rear shock absorber upper	2
7	08322-21128	WASHER, rr shock absorber inner upper	2
8	62311-05350	BOLT, rear shock absorber lower	2
9	08316-16128	NUT, rear shock absorber lower	2

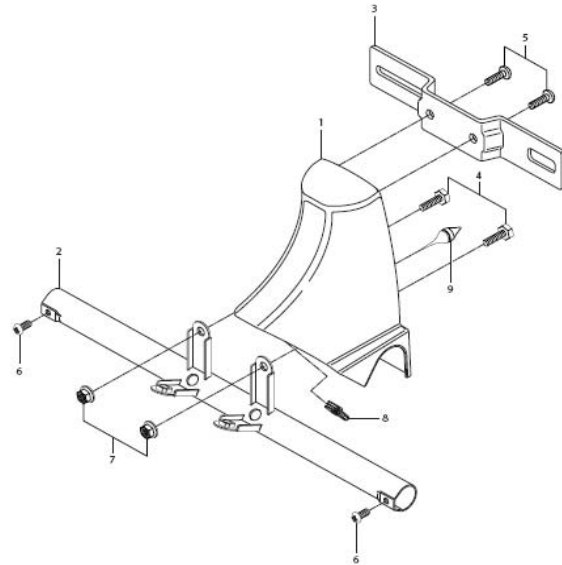
FIG.45



# FIG 46. TAIL REAR COVER

REF. NO.	8EN01	PARTS NAME	Q'TY (PCS)
1	45541HJ8201	COVER TAIL,,rear	1
2	45530HJ8202PLA	BRACKET COMP, tail rear cover	1
3	35927H44430	BRACKET, license plate	1
4	01107-06166	BOLT, tail rear cover rear	2
5	02142-06126	SCREW, license plate bracket	2
6	02142-05125	SCREW, turnsignal lamp	2
7	08316-16066	NUT, tail rear cover rear	2
8	09148-06020	NUT, tail rear cover	1
9	09321-06023	CUSHION, license plate	1

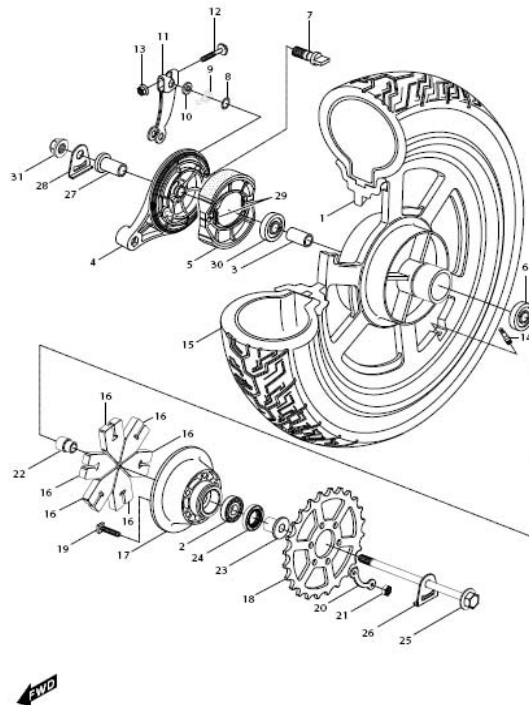
FIG.46



# FIG 47. REAR WHEEL

REF. NO.	8EN01	PARTS NAME	Q'TY (PCS)
1	64150HJ8200HPA	WHEEL COMP, rear (J15xMT3.00)	1
2	08113-63057	BEARING, rear sprocket mounting drum	1
3	64731HJ8200	SPACER, rear wheel bearing(L=85.2)	1
4	64200HJ8200	PANEL COMP, rear brake anchor	1
5	64400SJ8200	SHOE COMP, rear brake	2
6	08123-63037	BEARING, rear wheel L	1
7	64441HJ8202	CAM COMP, rear brake	1
8	09280-15001	O-RING, rear brake cam	1
9	09448-33006	SPRING, rear brake panel	1
10	09160H15001	WASHER, rear brake cam dust seal	1
11	64451-13200	LEVER, rear brake cam	1
12	01517-06356	BOLT, rear brake cam lever	1
13	08316-16066	NUT, rear brake cam lever	1
14	55220-41D10	VALVE ASS'Y, wheel rim	1
15	65101HJ8200	TIRE SET, rear (150/80-15 M/C 70S)	1
16	64651HJ8201	SHOCK ABSORBER, rear wheel	1
17	64611HJ8203	DRUM, rear sprocket mounting	1
18	64511HJ8205	SPROCKET, rear(520-46T)	1
19	09105-10006	BOLT, rear sprocket	6
20	09169-10013	WASHER, rear sprocket	3
21	08310-11108	NUT, rear sprocket	6
22	64733HJ8200	RETAINER, rear sprocket drum	1
23	64751HJ8200	SPACER, rear axle L	1
24	09285-33001	OIL SEAL, RR sprocket mounting drum	1
25	64711HJ8201	AXLE, rear	1
26	64712HJ8201	WASHER, chain adjuster R	1
27	64741HJ8201	SPACER, rear axle R	1
28	64712HJ8201	WASHER, chain adjuster L	1
29	55420HJ8204	SPRING, rear brake shoe	1
30	08123-63037	BEARING, rear wheel R	1
31	09159H16002	NUT, rear axle	1

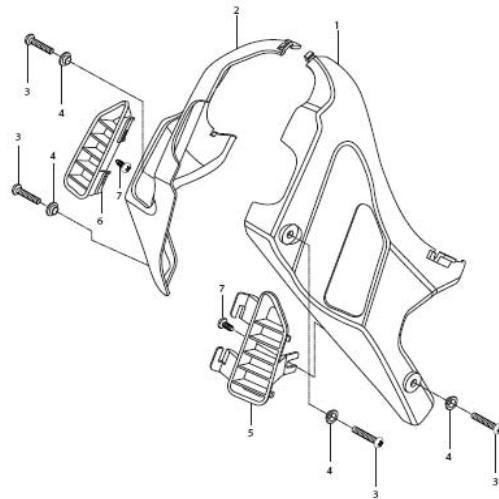
FIG.47



# FIG 48. FRAME HEAD COVER(2009)

REF. NO.	8EN01	PARTS NAME	Q'TY (PCS)
1	47511H88400CBK	COVER, frame head R	1
2	47521H88400CBK	COVER, frame head L	1
3	02142-05125	SCREW, frame head cover R/L	4
4	09169-05009	WASHER, frame head cover R/L	4
5	47512H88400	GRILL, frame head cover R	1
6	47522H88400	GRILL, frame head cover L	1
7	03241-05125	SCREW, frame head cover grill	2

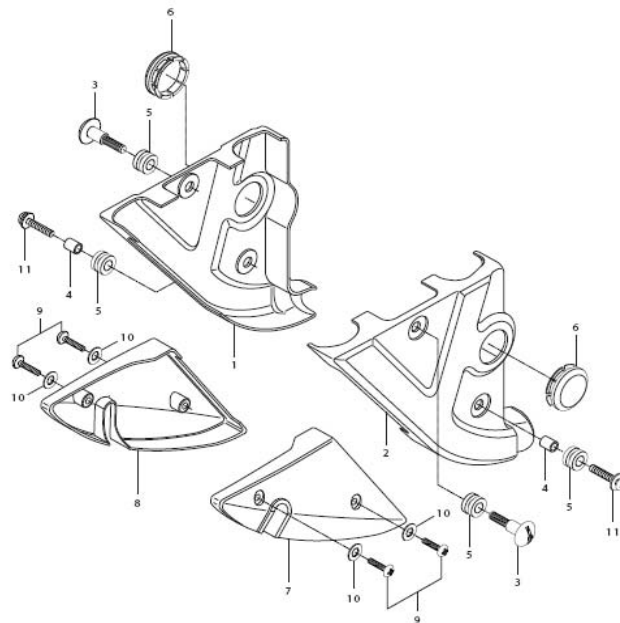
FIG.48 (2009)



# FIG 49. FRAME COVER

REF. NO.	PARTS NAME	Q'TY (PCS)	
1	47121HG5101	COVER, side lower R	1
2	47221HG5101	COVER, side lower L	1
3	48242HE6100	BOLT, side lower cover upper	2
4	09180-06011	SPACER, side lower cover lower	2
5	09320-09016	CUSHION, side lower cover	4
6	47125HG5100	CAP, rear swingingarm pivot	2
7	47131HG5101	COVER, side lower rear RH	1
8	47231HG5101	COVER, side lower rear LH	1
9	02142-05308	SCREW, side lower cover rear R/L	4
10	08322-21058	WASHER, side lower cover rear R/L	4
11	09136-06022	SCREW, side lower cover lower	2

FIG.49



PWD