



 **HYOSUNG**  
MOTORS & MACHINERY INC.

## **REFERENCE**

1.The detailed specifications of each model are referred by the persons who are in charge of overseas marketing team, Hyosung.

2.Special demand

When you order any colored parts, please add color code to the end of parts number and it will be helpful to register your parts order.

※ **Color code**

**CPM : MIDNIGHT BLACK + RED**

**CWW : WINE BROWN + WHITE**

**CRS : RED + SILVER**

**CMS : BLACK + SILVER**

**CMB : MIDNIGHT BLACK**

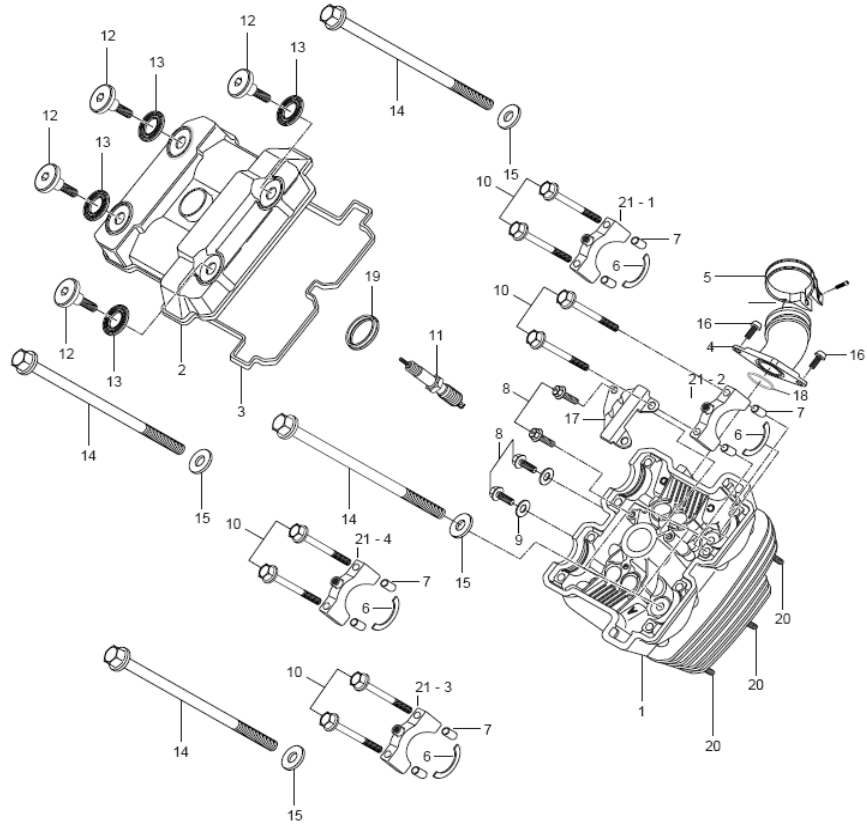
**HYOSUNG**

# FIG 1-1. CYLINDER HEAD/(FRONT)

REF. NO.	LAT01	PARTS NAME	Q'TY
----------	-------	------------	------

1	11110SJ8290HPA	HEAD COMP, cylinder	1
2	11171HG510203P	COVER, cylinder head(pearl metallic)	1
3	11173HG5100	GASKET,cylinder head cover NO.1	1
4	13110HJ8202	PIPE COMP, intake front	1
4~1	13110HJ8204	PIPE COMP, intake front ~KM4MJ51A741206544	1
5	09402-44207	CLAMP, carburetor	1
6	09390-35001	C-RING, camshaft	4
7	09206-08001	PIN, camshaft housing knock	8
8	01517-06128	BOLT, oil galley(M6*12)	4
9	09168H06019	GASKET, oil galley bolt	2
10	09103-06013	BOLT,camshaft housing (M6*20)	8
11	09482-00456	PLUG, spark CR8E	1
12	09109H07018	BOLT, cylinder head cover (M7*17.5)	4
13	09161H11008	WASHER, cyitnder head cover	4
14	09103H08306	BOLT, cylinder head L =130	4
15	09168-08021	GASKET, cylinder head bolt	4
16	09119H06002	BOLT, intake pipe (M6*16)	2
17	12782-35C00	GUIDE, camchain NO.2	1
18	09280H34000	O-RING, intake pipe	1
19	11178-17E00	GASKET, cylinder head cover NO.2	1
20	01421-06258	BOLT, cylinder head stud(M6*25)	3
21-1	11121-35C00PCH	HOUSING,camshaft No.1	1
21-2	11122-35C00PCH	HOUSING,camshaft No.2	1
21-3	11123-35C00PCH	HOUSING,camshaft No.3	1
21-4	11124-35C00PCH	HOUSING,camshaft No.4	1

## FIG 1-1

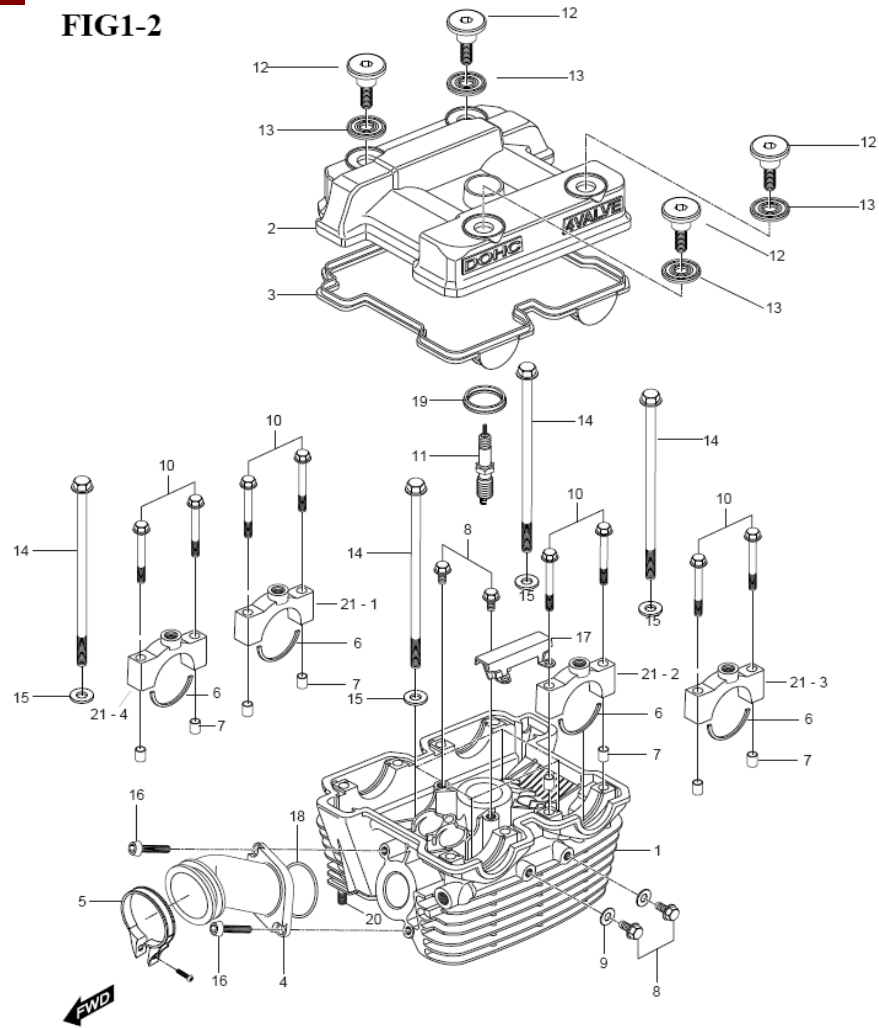


# FIG 1-2. CYLINDER HEAD/(REAR)

## FIG1-2

REF. NO.	LAT01	PARTS NAME	Q'TY
----------	-------	------------	------

1	11110SJ8290HPA	HEAD COMP, cylinder	1
2	11171HG510203P	COVER, cylinder head(pearl metallic)	1
3	11173HG5100	GASKET,cylinder head cover NO.1	1
4	13120HJ8204	PIPE COMP, intake rear	1
5	09402-44207	CLAMP, carburetor	1
6	09390-35001	C-RING, camshaft	4
7	09206-08001	PIN, camshaft housing knock	8
8	01517-06128	BOLT, oil galley(M6*12)	4
9	09168H06019	GASKET, oil falley boit	2
10	09103-06013	BOLT,camshaft housing (M6*20)	8
11	09482-00456	PLUG, spark CR8E	1
12	09109H07018	BOLT, cylinder head cover (M7*17.5)	4
13	09161H11008	WASHER, cyitnder head cover	4
14	09103H08306	BOLT, cylinder head L =130	4
15	09168-08021	GASKET, cylinder head bolt	4
16	09119H06002	BOLT, intake pipe (M6*16)	2
17	12782-35C00	GUIDE, camchain NO.2	1
18	09280H34000	O-RING, intake pipe	1
19	11178-17E00	GASKET, cylinder head cover NO.2	1
20	01421-06258	BOLT, cylinder head stud(M6*25)	3
21-1	11121-35C00PCH	HOUSING,camshaft No.1	1
21-2	11122-35C00PCH	HOUSING,camshaft No.2	1
21-3	11123-35C00PCH	HOUSING,camshaft No.3	1
21-4	11124-35C00PCH	HOUSING,camshaft No.4	1

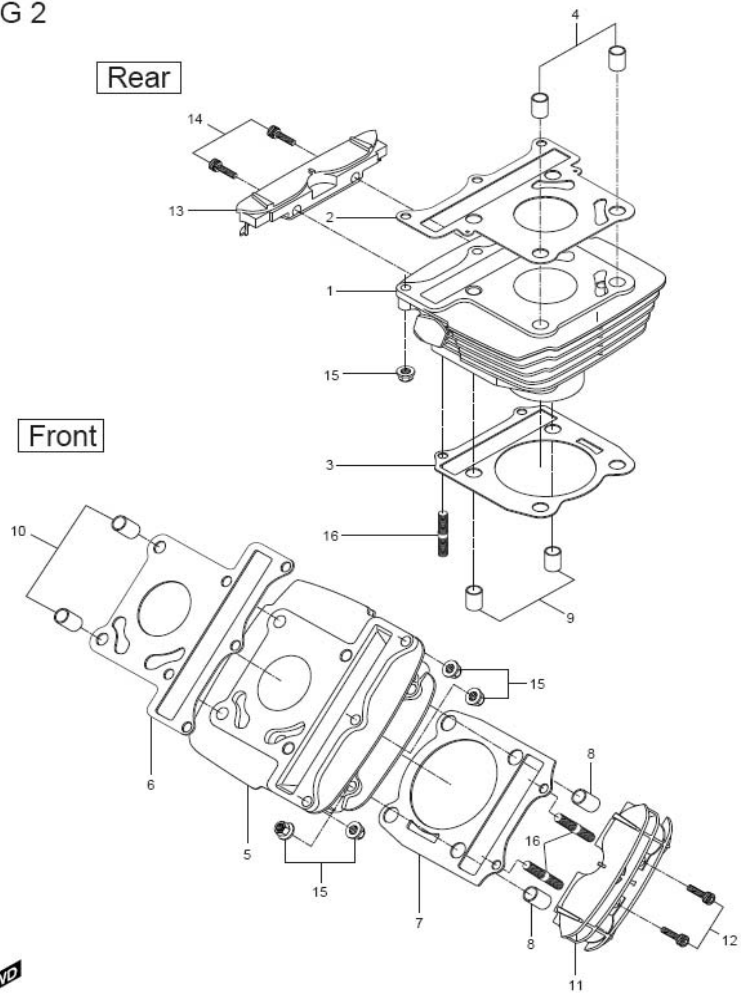


# FIG 2. CYLINDER/FRONT,REAR

REF. NO.	PARTS NAME	Q'TY
----------	------------	------

1	11220HJ8210PCY	CYLINDER COMP, rear	1
1-A	11220HJ8600PCY	CYLINDER COMP, rear	1
	2007.FEB~(tention hole $\phi 21 \rightarrow \phi 27$ )		
2	11141HJ8210	GASKET, cylinder head	1
3	11241HG5103	GASKET, cylinder rear	1
4	04213-11169	PIN, cylinder head knock rear	2
5	11210HJ8210PCY	CYLINDER COMP, front	1
5-A	11210HJ8600PCY	CYLINDER COMP, front	1
	2007.FEB~(tention hole $\phi 21 \rightarrow \phi 27$ )		
6	11141HJ8210	GASKET, cylinder head	1
7	11241HG5103	GASKET, cylinder front	1
8	04213-11149	KNOCK PIN, cylinder rear	2
9	04213-11149	KNOCK PIN, cylinder front	2
10	04213-11169	PIN, cylinder head knock front	2
11	11251HG510003P	FIN, cylinder front(pearl metallic)	1
12	07110-05168	BOLT, cylinder fin rear(M5*16)	2
13	11251HG510003P	FIN, cylinder front(pearl metallic)	1
14	07110-05168	BOLT, cylinder fin rear(M5*16)	2
15	08316-16068	NUT, cylinder head(M6)	10
16	01421-06258	BOLT, cylinder stud(M6*25)	4

FIG 2

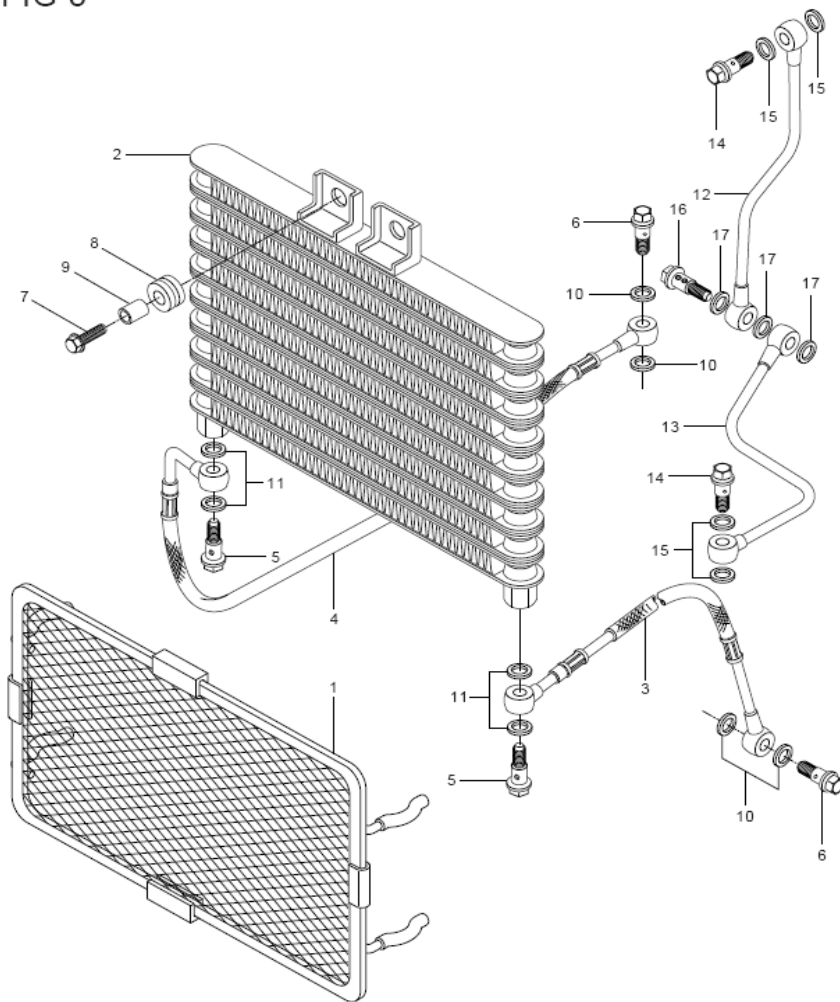


# FIG 3. OIL COOLER

REF. NO.	PARTS NAME	Q'TY
----------	------------	------

REF. NO.	PARTS NAME	Q'TY	
1	16810HJ8201	GRILLE COMP, oil cooler No.1	1
2	16600HJ8200121	COOLER ASS'Y, oil(black)	1
3	16460HJ8200	HOSE COMP, oil cooler NO.1	1
4	16470HJ8200	HOSE COMP, oil cooler NO.2	1
5	09360H12007	BOLT, oil cooler hose union NO.2 (M12*27.5)	2
6	09360H10034	BOLT, oil cooler hose union NO.1 (M10*24)	2
7	09116-06143	BOLT, oil cooler(M6*14)	2
8	09320-10015	CUSHION, oil cooler	2
9	09180-06030	SPACER, oil cooler	2
10	09161-10009	GASKET, oil cooler NO.1	4
11	09168-14011	GASKET, oil cooler NO.2	4
12	11280HG5101	PIPE COMP, oil front	1
13	11290HG5101	PIPE COMP, oil rear	1
14	09360H10034	UNION BOLT, oil pipe upper (M10*24)	2
15	09161-10009	GASKET, oil pipe upper	4
16	15331HG5101	UNION BOLT, oil pipe lower	1
17	09161-10009	GASKET, oil pipe lower	3

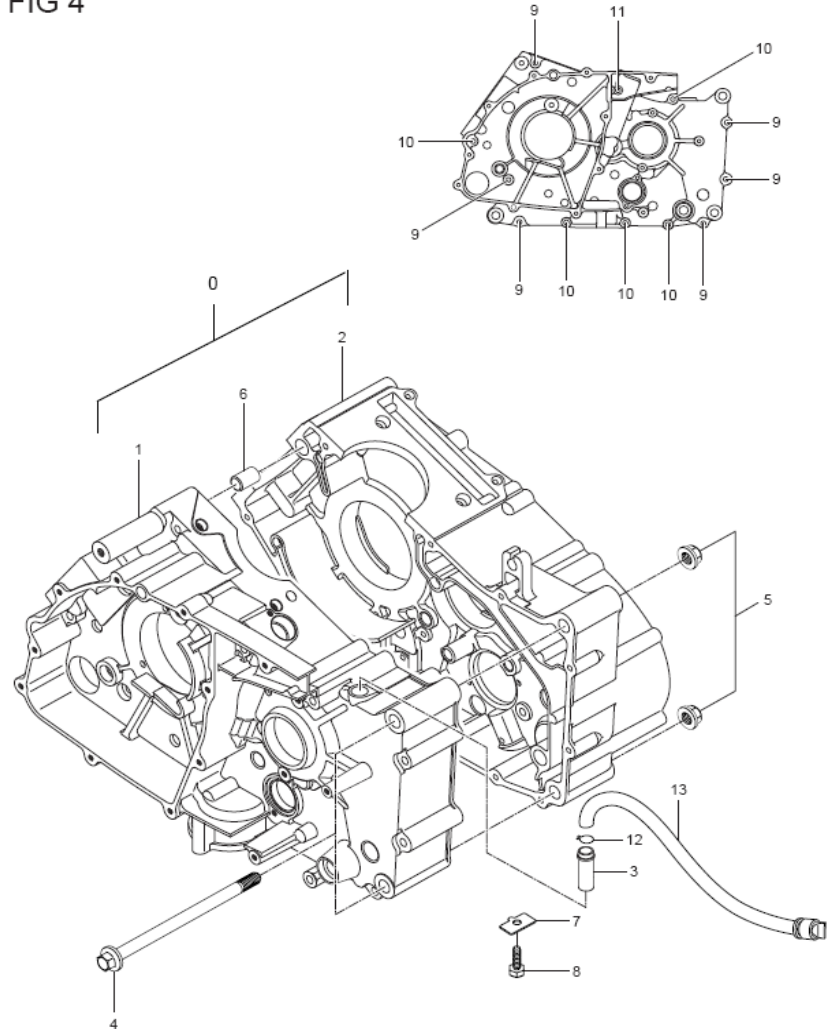
FIG 3



# FIG 4. CRANK CASE

REF. NO.		PARTS NAME	Q'TY
	RNE01 / LAT01		
0	11300HJ8200HPA	CRANKCASE ASS'Y	1
1	11321HJ8201PCC	CRANKCASE COMP, L	1
2	11310HJ8201PCC	CRANKCASE COMP, R	1
3	09364-12001	UNION, breather hose	1
4	09103H10022	BOLT, frame & engine (L=110)	3
5	08319-31106	NUT, frame & engine(M10)	3
6	04213-13189	PIN, crankcase knock	2
7	11319-05200	PLATE, oil gallery plug	1
8	01107-06106	BOLT, oil gallery plug plate(M6*10)	1
9	01547-06558	BOLT, crankcase(M6*55)	6
10	01547-06808	BOLT, crankcase(M6*80)	5
11	02112-06908	SCREW, crankcase(M6*90)	1
12	09401-14301	CLIP, breather drain cap	1
13	13870H29B00	CAP COMP, breather drain	1
14	09243-11008	PLUG, OIL GALLERY	2

FIG 4



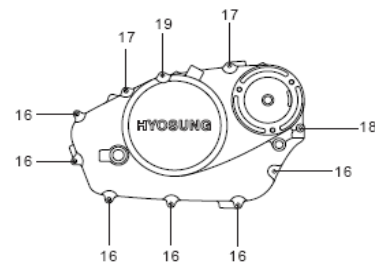
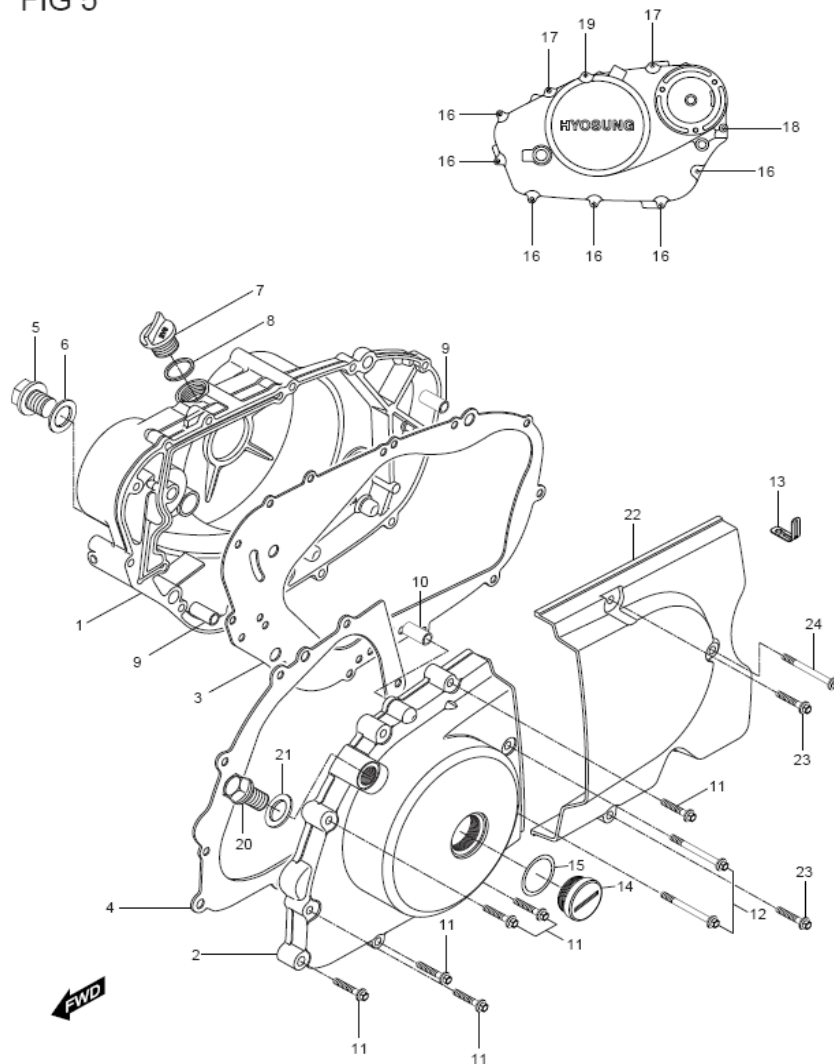


# FIG 5. CRANK CASE COVER

REF. NO.	PARTS NAME	Q'TY
----------	------------	------

REF. NO.	PARTS NAME	Q'TY	
1	11341SJ8200HPA	COVER COMP, clutch	1
2	11351HJ82020BF	COVER, magneto	1
3	11482HG5102	GASKET, clutch cover (NA)	1
4	11483HG5102	GASKET, magneto cover	1
5	09247-14026	PLUG, oil check	1
6	09168H14003	GASKET, oil check plug	1
7	09259-2000903P	PLUG, eng oil filler(pearl metallic)	1
8	09280-17003	O-RING, eng oil filler plug (16.8*2.4)	1
9	04213-13189	PIN, clutch cover knock	2
10	04213-09129	PIN, magneto cover knock	1
11	01547-06308	BOLT, magneto cover(M6*30)	7
12	01547-06708	BOLT, magneto cover(M6*70)	2
13	09403H09304	CLAMP, clutch cable	1
14	09259-2601503P	PLUG, crankshaft hole(pearl metallic)	1
15	09280-22008	O-RING, crankshaft hole plug (22.7*3.1)	1
16	01547-06258	BOLT, clutch cover(M6*25)	6
17	01547-06358	BOLT, clutch cover(M6*35)	2
18	01547-06608	BOLT, clutch cover(M6*60)	1
19	01547-06758	BOLT, clutch cover(M6*75)	1
20	09247H12102	PLUG, TDC	1
21	09168H12003	GASKET, TDC plug	1
22	11360HJ8200HPA	COVER COMP, engine sprocket	1
23	01547-06308	BOLT, engine sprocket cover(M6*30)	2
24	01547-06708	BOLT, engine sprocket cover(M6*70)	1
25	08321-31068	WASHER,engine sprocket cover	3
26	11971-45010	Lens,oil level	1

FIG 5



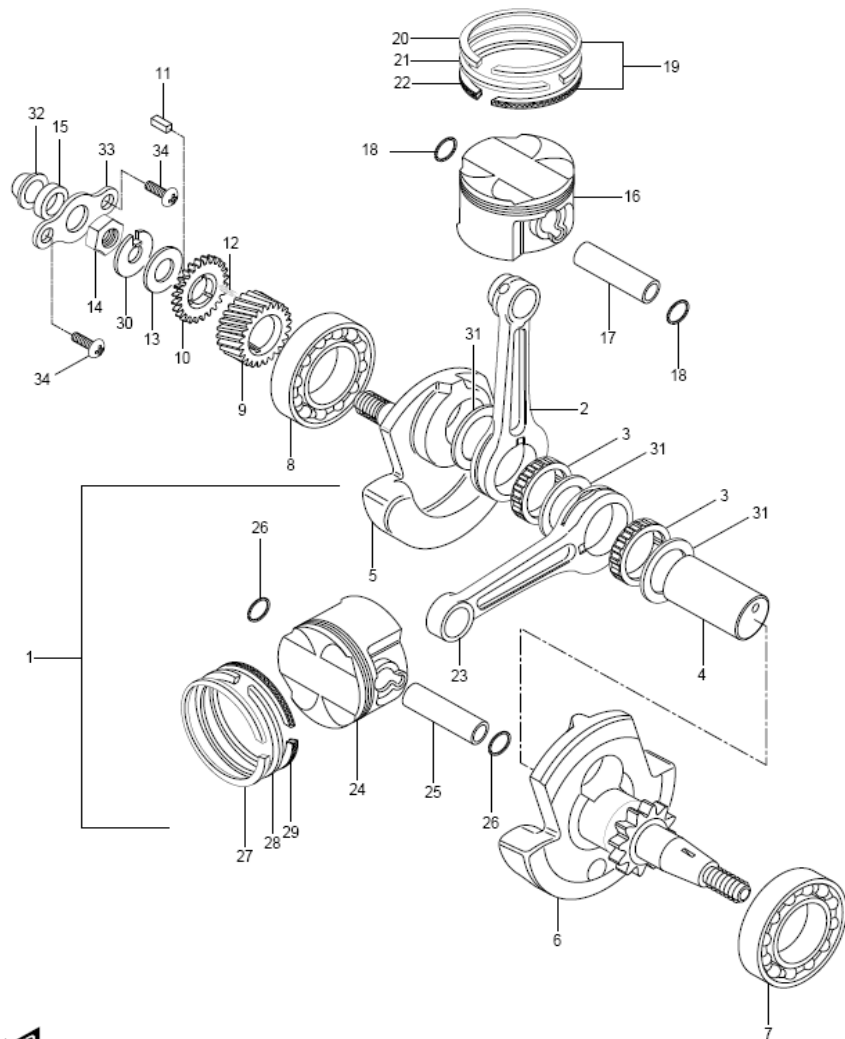


# FIG 6. CRANK SHAFT

FIG 6

REF. NO.	PARTS NAME	Q'TY
----------	------------	------

REF. NO.	PARTS NAME	Q'TY
1	12200HJ8200HPA CRANK SHAFT ASS'Y	1
2	12161HJ8200 ROD, connecting rear	1
3	09263H30002 BEARING, crank pin (30*38*15.8)	2
4	12211HJ8202HPA PIN, crank	1
5	12221HJ8203CSA CRANK SHAFT, R	1
6	12261HJ8203CSA CRANK SHAFT, L	1
7	09262H350A60AO BEARING, crank shaft, L (35*72*17)	1
8	09262H350A60AO BEARING, crank shaft, R (35*72*17)	1
9	21111HJ8201 GEAR, primary drive	1
10	21112HJ8200 GEAR, primary drive NO.2	1
11	09421H05001 KEY, primary drive gear	1
12	21114-35C00 SPRING, primary drive gear	3
13	09166H16021 WASHER, primary drive gear thrust	1
14	09140-16019 NUT, primary drive gear (M16)	1
15	09282-12001 SEAL, crank shaft oil RH(21*7)	1
16	12111-16E00PPS PISTON, rear	1
17	12151-30B00 PIN, piston rear	1
18	09381-15001 CIRCLIP, piston pin rear	2
19	12140-16E00 RING SET, piston rear	2
20	12141-16E00 RING, piston 1st rear	1
21	12142-16E00 RING, piston 2nd rear	1
22	12144-16E00 RING, piston oil rear	1
23	12161HJ8200 ROD, connecting front	1
24	12111-16E00PPS PISTON, front	1
25	12151-30B00 PIN, piston front	1
26	09381-15001 CIRCLIP, piston pin front	2
27	12141-16E00 RING, piston 1st front	1
28	12142-16E00 RING, piston 2nd front	1
29	12144-16E00 RING, piston oil front	1
30	09166H16032 WASHER, primary drive gear lock	1
31	09160H30001 WASHER	3
32	11342HG5100 JET	1
33	11343HG5100 RETAINER	1
34	02112-06108 SCREW(M6*10)	2

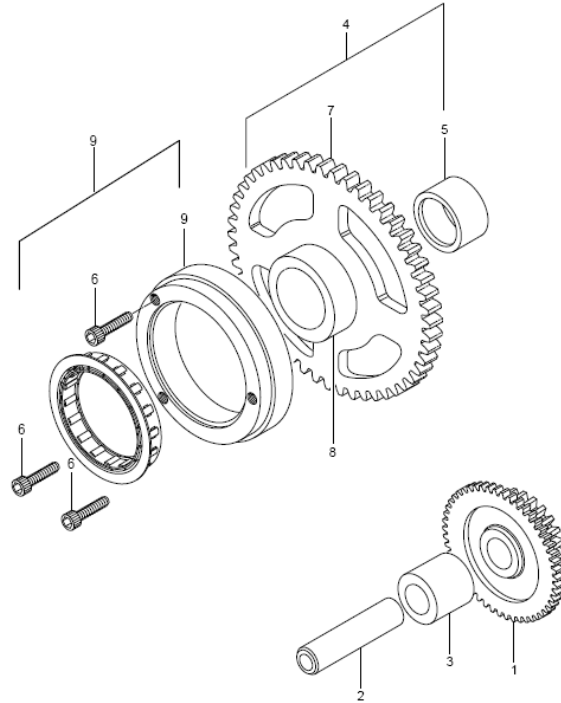


# FIG 7. STARTER CLUTCH

REF. NO.	RNE01 / LAT01	PARTS NAME	Q'TY
----------	---------------	------------	------

1	12611HJ8200	GEAR, starter idle	1
2	12612HG5100	SHAFT, starter idle gear	1
3	09180-13006	SPACE, starter idle gear	1
4	12620HJ8204	GEAR COMP, starter clutch	1
5	09304H25001	.BUSH,starter clutch gear	1
6	07110-08168	BOLT, starter clutch(M8*16)	3
7	12622HJ8201	.GEAR,starter clutch	1
8	12621HJ8200	.RACE,starter clutch gear inner	1
9	12614HJ8200	CLUTCH,starter one way	1

FIG.7

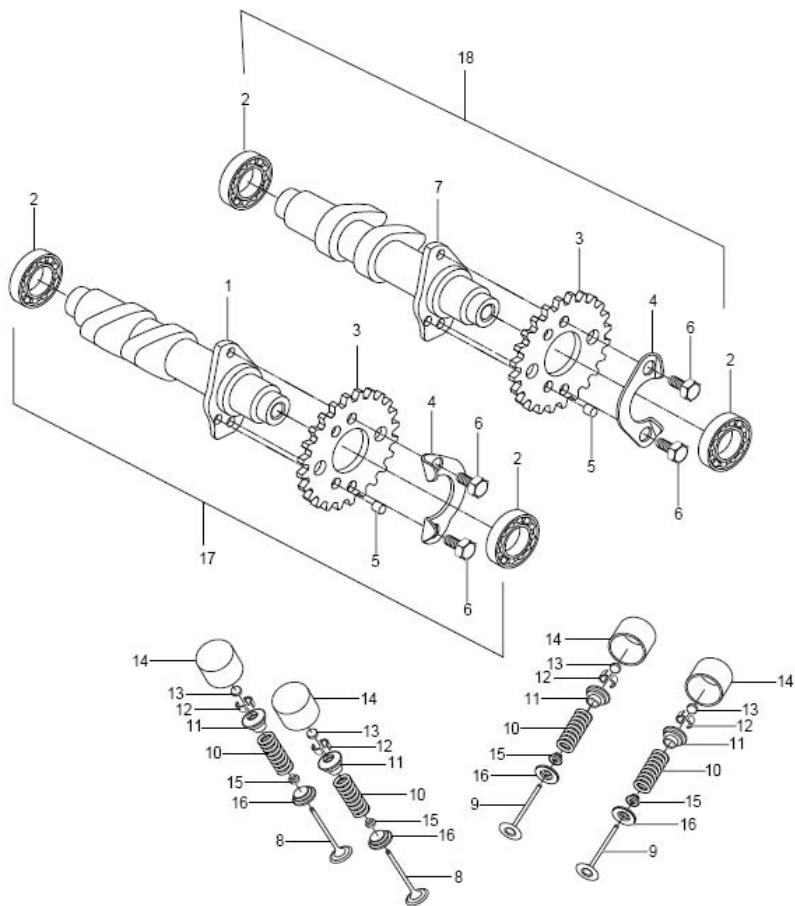


# FIG 8-1. CAMSHAFT REAR

REF. NO.	PARTS NAME	Q'TY
----------	------------	------

1	12711HJ8200888	CAMSHAFT, intake rear	1
2	09262-17019	BEARING, camshaft rear (22.4*29.6*8)	4
3	12742HJ8200	SPROCKET, camshaft rear	2
4	12747-44B00	WASHER, sprocket rear	2
5	09261-05005	PIN, sprocket rear	2
6	09111-06032	BOLT, sprocket rear (M6*10)	4
7	12721HJ8200888	CAMSHAFT, exhaust rear	1
8	12911HJ8200	VALVE, intake rear	2
9	12912HJ8200	VALVE, exhaust rear	2
10	12921HJ8200	SPRING, valve rear	4
11	12931HJ8200	RETAINER, valve spring rear	4
12	12932HJ8200	COTTER, valve rear	8
13	12892-05C00170	SHIM, tappet(#120 ~220) rear	4
14	12881HJ8200	TAPPET, rear	4
15	09289H04002	SEAL, valve stem oil rear (4*7.2*8)	4
16	12933HJ8200	SEAT, valve spring rear	4
17	12720HJ8200HPA	CAMSHAFT ASS'Y, rear intake	1
18	12750HJ8200HPA	CAMSHAFT ASS'Y, rear exhaust	1

FIG 8

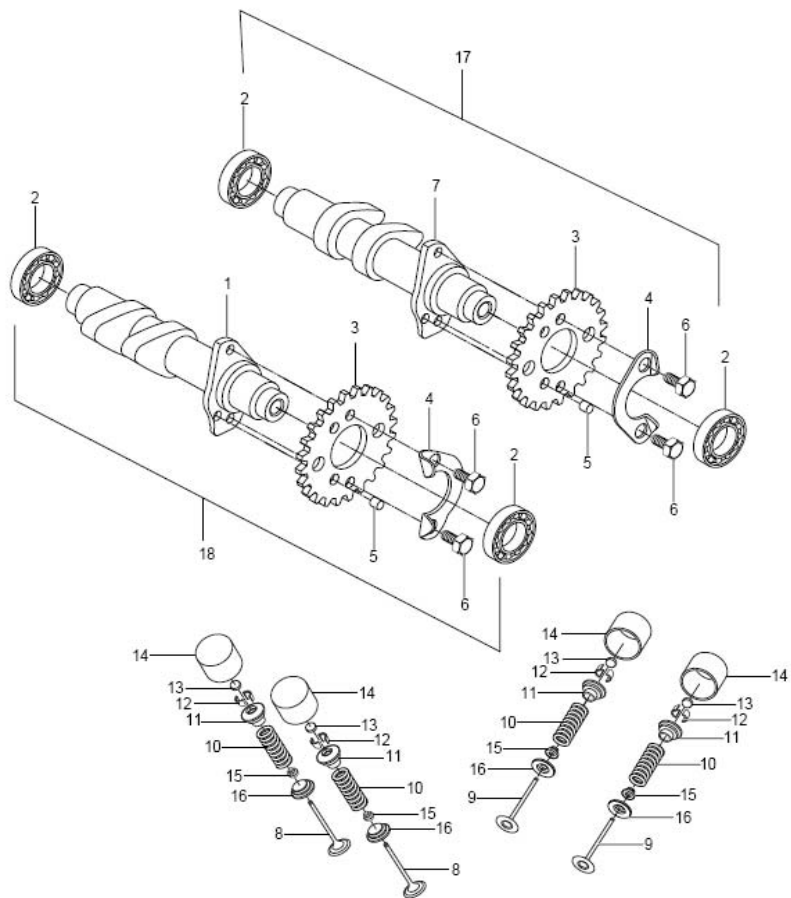


# FIG 8-2. CAMSHAFT FRONT

REF. NO.	PARTS NAME	Q'TY
----------	------------	------

1	12711HJ8200888	CAMSHAFT, intake front	1
2	09262-17019	BEARING, camshaft front (22.4*29.6*8)	4
3	12742HJ8200	SPROCKET, camshaft front	2
4	12747-44B00	WASHER, sprocket front	2
5	09261-05005	PIN, sprocket front	2
6	09111-06032	BOLT, sprocket front (M6*10)	4
7	12721HJ8200888	CAMSHAFT, exhaust front	1
8	12911HJ8200	VALVE, intake front	2
9	12912HJ8200	VALVE, exhaust front	2
10	12921HJ8200	SPRING, valve front	4
11	12931HJ8200	RETAINER, valve spring front	4
12	12932HJ8200	COTTER, valve front	8
13	12892-05C00170	SHIM, tappet(#120 ~220) front	4
14	12881HJ8200	TAPPET,front	4
15	09289H04002	SEAL, valve stem oil front (4*7.2*8)	4
16	12933HJ8200	SEAT, valve spring front	4
17	12710HJ8200HPA	CAMSHAFT ASS'Y,front intake	1
18	12730HJ8200HPA	CAMSHAFT ASS'Y,front exhaust	1

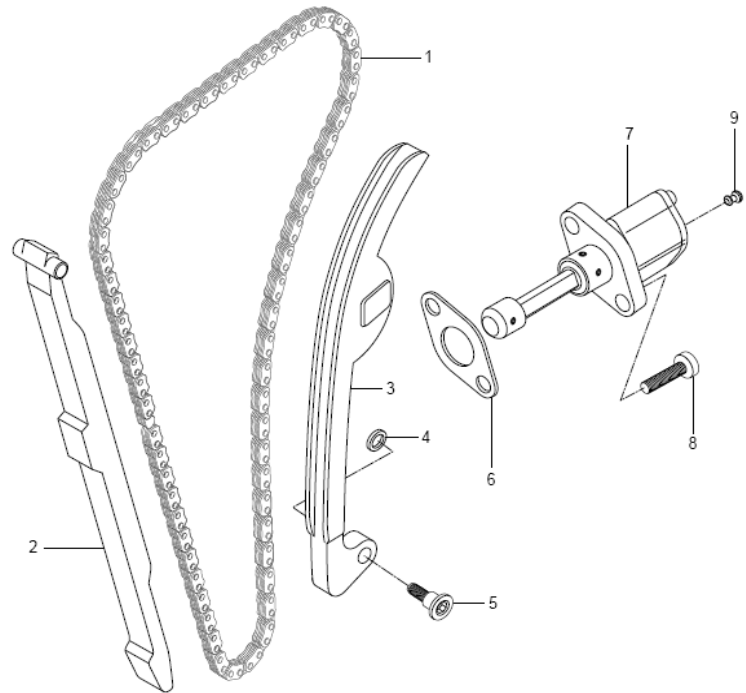
FIG 8



# FIG 9. CAM CHAIN

FIG 9

REF. NO.	RNE01 / LAT01	PARTS NAME	Q'TY
1	12760-16E00	CHAIN COMP, camshaft drive	2
2	12771-16E00	GUIDE, camchain NO.1	2
3	12811HJ8200	TENSIONER, camchain	2
4	08211-06181	WASHER, camchain tensioner bolt	2
5	12812H35C00	BOLT, camchain tensioner (M6*23)	2
6	12837H31321	GASKET, tensioner adjuster	2
6-A	12837HP7600	GASKET, tensioner adjuster 2007.FEB~(ten's hole $\phi$ 21-> $\phi$ 27)	2
7	12830H31320	ADJUSTER ASS'Y, tensioner	2
7-A	12830H88600	ADJUSTER ASS'Y, tensioner 2007.FEB~(ten's hole $\phi$ 21-> $\phi$ 27)	2
8	07110-06208	BOLT, tensioner adjuster(M6*20)	4
9	12839-38200	PLUG, adjuster	2
9-A	12839HN9120	SCREW, adjust tensioner 2007.FEB~(tention hole $\phi$ 21-> $\phi$ 27)	2
10	12838HP7600	O'ring tensioner	

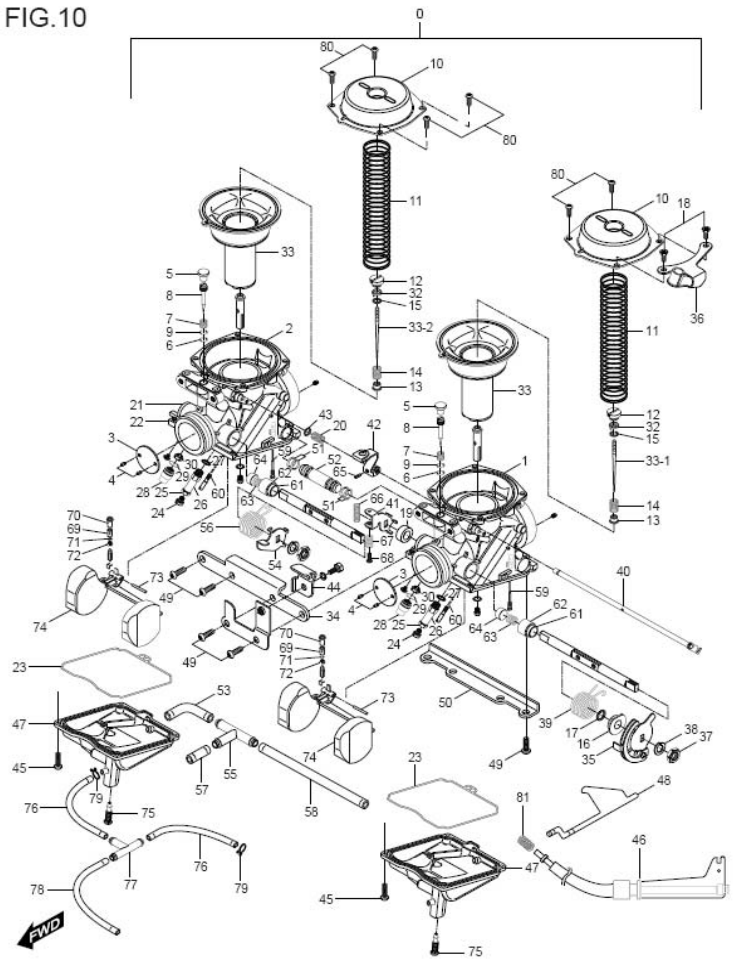


# FIG 10. CARBURETOR ASS'Y

REF. NO.	PARTS NAME	Q'TY
----------	------------	------

0	13200HJ8200	CARBURETOR ASS'Y	1
1	13301HG5100	.MIXING BODY ASS'Y	1
2	13302HG5100	.MIXING BODY ASS'Y	1
3	13303HG5100	.THROTTLE VALVE	2
4	13304HG5100	.SCREW	4
5	13305HG5100	.PLUG	2
6	13306HG5100	.O-RING	2
7	13307HG5100	.SPRING(CO)	2
8	13308HG5100	.ADJUSTER	2
9	13309HG5100	.WASHER	2
10	13310HG5100	.DIAPHRAGM COVER	2
11	13311HG5100	.SPRING(CO)	2
12	13312HG5100	.SCREW	2
13	13313HG5100	.RING	2
14	13314HG5100	.SPRING(CO)	2
15	13315HG5100	.E-RING	2
16	13316HG5100	.RING	1
17	13317HG5100	.SEAL	1
18	13318HG5100	.BOLT	2
19	13319HG5100	.RING	1
20	13320HG5100	.SPRING(CO)	1
21	13321HG5100	.PACKING	1
22	13322HG5100	.SHAFT ASS'Y	1
23	13323HG5100	.O-RING	2
24-1	13324HJ8200	.MAIN JET #90(FRONT)	1
24-2	13325HJ8200	.MAIN JET #87.5(REAR)	1
25	13326HG5100	.PACKING	2

FIG.10

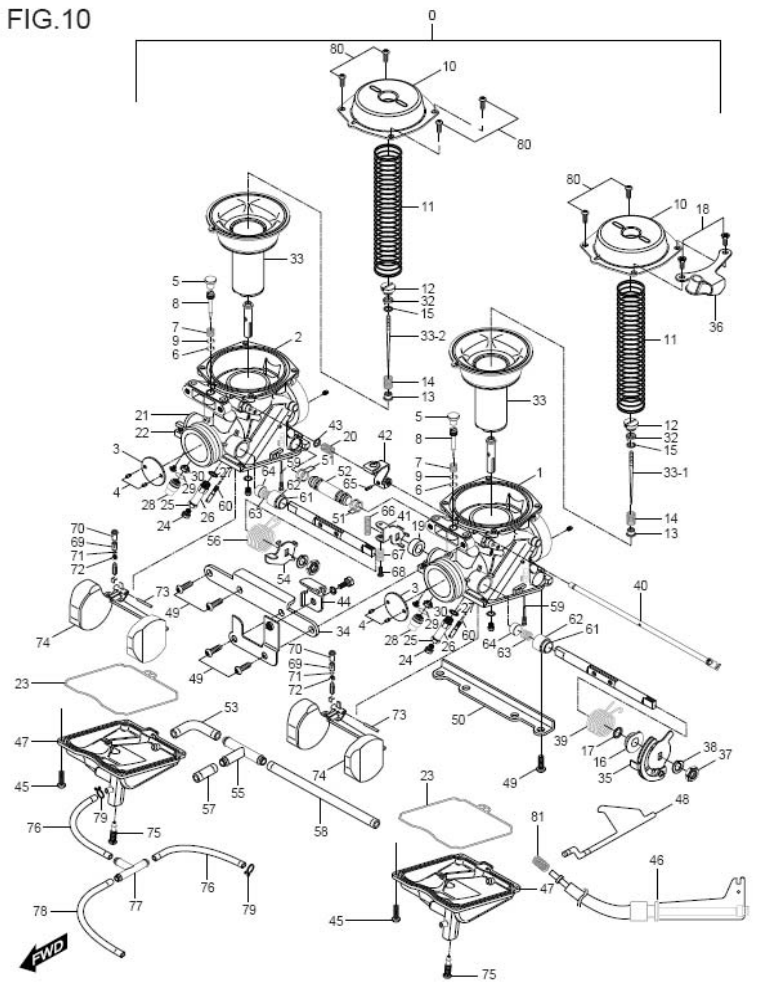


# FIG 10. CARBURETOR ASS'Y

REF. NO.	PARTS NAME	Q'TY
----------	------------	------

26	13327HG5100	.SCREW	2
27	13328HG5100	.WASHER	2
28	13329HG5100	.SCREW	2
29	13330HG5100	.WASHER	2
30-1	13331HJ8200	.NEEDLE(AB)(NJ)	1
30-2	13332HJ8200	.NEEDLE(AB)(NJ)	1
31-1	13333HJ8200	.JET NEEDLE(JN)	1
31-2	13334HJ8200	.JET NEEDLE(JN)	1
32	13337HG5100	.RING	2
33	13338HG5100	.DIAPHRAGM ASS'Y	2
34	13339HG5100	.PLATE	1
35	13340HG5100	.LEVER ASS'Y	1
36	13341HG5100	.BRACKET ASS'Y	1
37	13342HG5100	.NUT	1
38	13343HG5100	.WASHER	1
39	13344HG5100	.SPRING(CO)	1
40	13345HG5100	.SHAFT ASS'Y	1
41	13346HG5100	.THROTTLE SHAFT ASS'Y	1
42	13347HG5100	.STARTER LEVER	1
43	13348HG5100	.E-RING	1
44	13349HG5100	.BRACKET ASS'Y	1
45	13350HG5100	.SCREW	2
46	13351HG5100	.ADJUST SCREW ASS'Y	1
47	13352HG5100	.FLOAT BODY ASS'Y	2
48	13353HG5100	.BRACKET	1
49	13354HG5100	.SCREW	8
50	13355HG5100	.PLATE	1

FIG.10



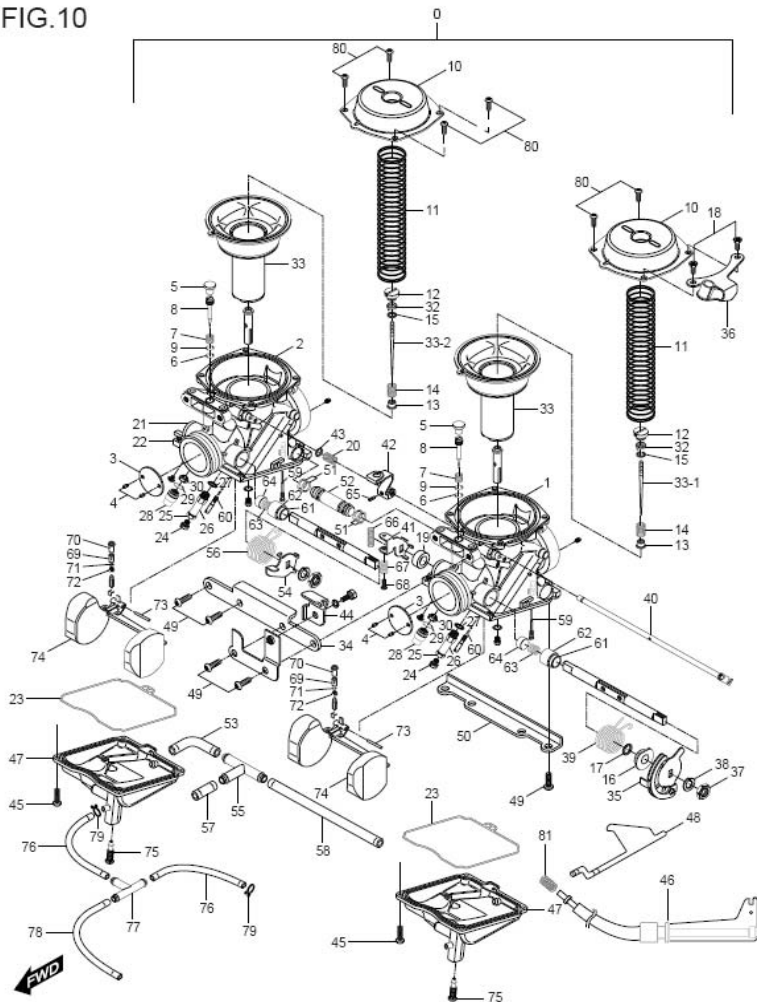


# FIG 10. CARBURETOR ASS'Y

REF. NO.	PARTS NAME	Q'TY
----------	------------	------

51	13356HG5100	.O-RING	4
52	13357HG5100	.NIPPLE	1
53	13358HG5100	.HOSE	1
54	13359HG5100	.THROTTLE SHAFT	1
55	13360HG5100	.NIPPLE	1
56	13361HG5100	.SPRING(CO)	1
57	13362HG5100	.HOSE	1
58	13363HG5100	.HOSE	1
59	13364HG5100	.JET(PAJ)	1
60	13365HJ8200	.JET(PJ)#20	2
61	13366HG5100	.CAP	2
62	13367HG5100	.GUIDE HOLDER	2
63	13368HG5100	.SPRING(CO)	2
64	13369HG5100	.PLUNGER ASS'Y	2
65	13370HG5100	.SCREW	1
66	13371HG5100	.SPRING(CO)	1
67	13372HG5100	.SPRING(CO)	1
68	13373HG5100	.SCREW	1
69	13374HG5100	.FILTER	2
70	13375HJ8230	.NEEDLE VALVE ASS'Y(VS)	2
71	13376HG5100	.O-RING	2
72	13377HG5100	.SCREW	2
73	13378HG5100	.PIN	2
74	13379HG5100	.FLOAT ASS'Y	2
75	13380HG5100	.SCREW	2
76	13381HG5100	.HOSE	2
77	13382HG5100	.NIPPLE	1
78	13383HG5100	.HOSE	1
79	13384HG5100	.CLIP	2
80	13385HG5100	.SCREW	6
81	13386HG5100	.SPRING(CO)	1

FIG.10

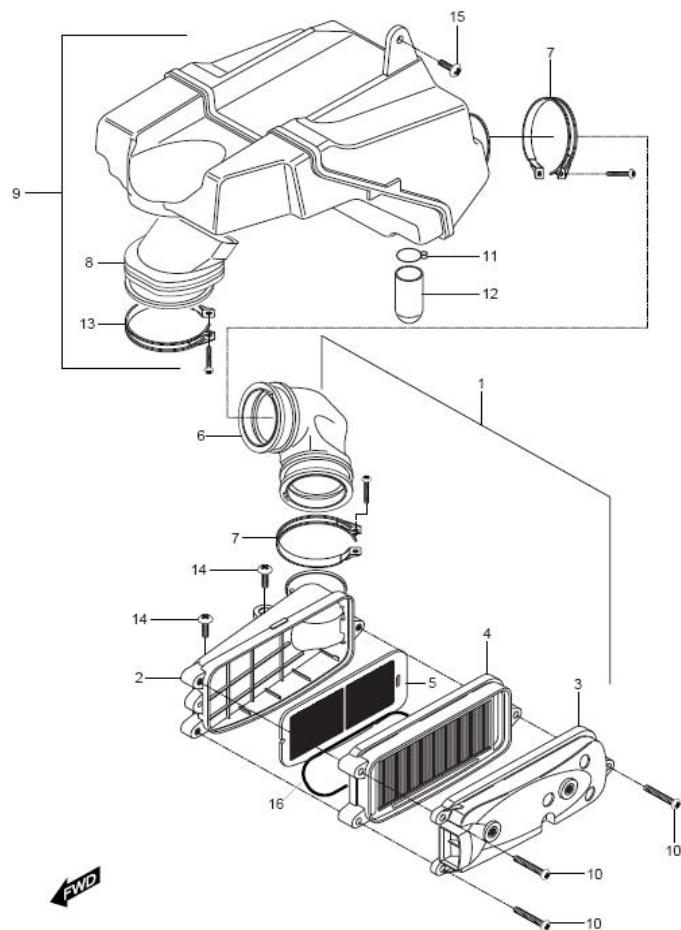


# FIG 11. AIR CLEANER & CHAMBER

REF. NO.	PARTS NAME	Q'TY
----------	------------	------

REF. NO.	PARTS NAME	Q'TY
1	13700HG5107 CLEANER ASS'Y, air	1
2	13720HG5101 CASE COMP, air cleaner	1
3	13740HG5102 CAP COMP, air cleaner	1
4	13780SG5100SVC FILTER COMP, air cleaner	1
5	13750HG5100 TRAP COMP, frame	1
6	13831HG5101 TUBE, connecting	1
7	09402H44207 CLAMP, connecting tube	2
8	13881HJ8200 TUBE,outlet	2
9	13800HJ8201 CHAMBER ASS'Y, air cleaner	1
10	02142-04255 SCREW, air cleaner cap(M5*30)	3
11	09401-14301 CLIP,oil drain plug	1
12	13895HF4500 PLUG, oil drain	1
13	09402-56208 CLAMP, outlet tube	2
14	09136-06017 SCREW, air cleaner (M6*16)	2
15	09136-06017 SCREW, air chamber (M6*16)	1
16	13783HG5100 GASKET,filter	1
17	18500HN9100(ken01 VALVE ASS'Y,2nd air	1
18	18651HJ8290(ken01 HOSE,2nd air pipe front	1
19	09401H14401(ken01 CLAMP,2nd air cleaner hose	2
20	HOSE,2nd vacuum front	1
20~1	09352-50823240(ken HOSE,2nd vacuum front	1
21	09401H09401(ken01 CLAMP,2nd vacuum hose	2
21~1	09401H08401(ken01 CLAMP,2nd vacuum hose	2
22	18631HJ8290(ken01 HOSE,2nd air pipe front	1
23	09401H13401(ken01 CLAMP,2nd air pipe hose	2
24	41991HJ8251 PLATE, 2nd valve	1

FIG.11

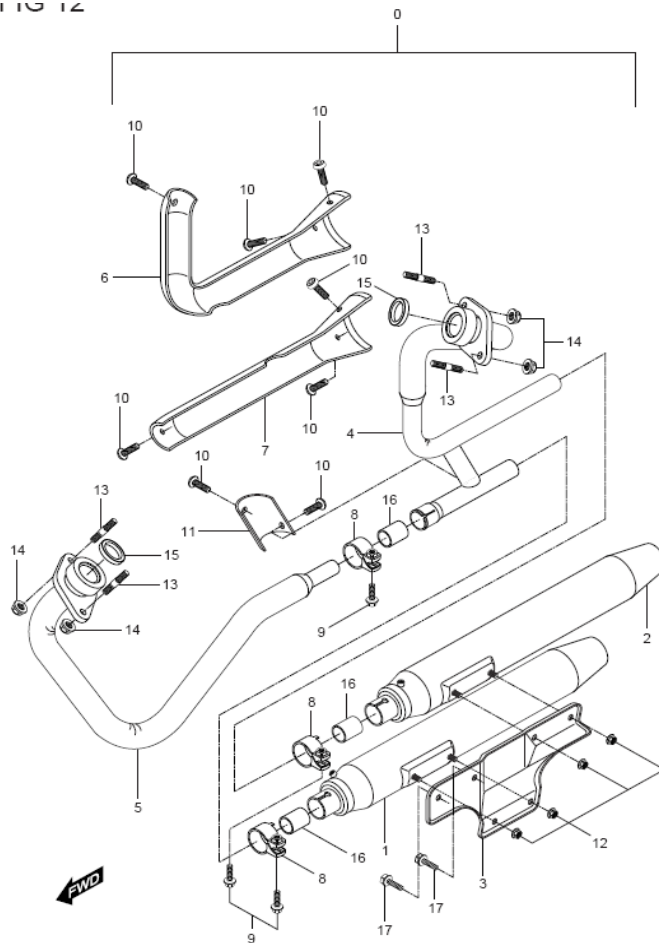


# FIG 12. MUFFLER

REF. NO.	PARTS NAME	QTY
----------	------------	-----

0	14305HJ8260PLH		
1	14310HJ8260PLH	BODY COMP, muffler front	
2	14320HJ8260PLH	BODY COMP, muffler rear	
3	14411HG5102	BRACKET, muffler support	1
4	14160HJ8200PLA	PIPE COMP, exhaust rear	1
5	14150HJ8200PLA	PIPE COMP, exhaust front	1
6	14291HG5101PLA	COVER COMP, exhaust pipe rear	1
7	14281HG5100PLA	COVER COMP, exhaust pipe front	1
8	14770HG5101PAM	CONNECTOR COMP, exhaust pipe	3
9	01137-08358	BOLT, connector exhaust pipe(M8*35)	3
10	09119H06001	BOLT, muffler cover	8
11	14292HG5101PLA	COVER, exhaust pipe connector	1
12	08316-26086	NUT, muffler support	4
13	01421-08258	STUD BOLT, exhaust pipe(M8*25)	4
14	09143H08001	NUT, exhaust pipe (M8)	4
15	14181-46E00	GASKET, exhaust pipe	2
16	14773HG5100	GASKET, connector exhaust pipe	3
17	01517-08208	BOLT, muffler support(M8*20)	2

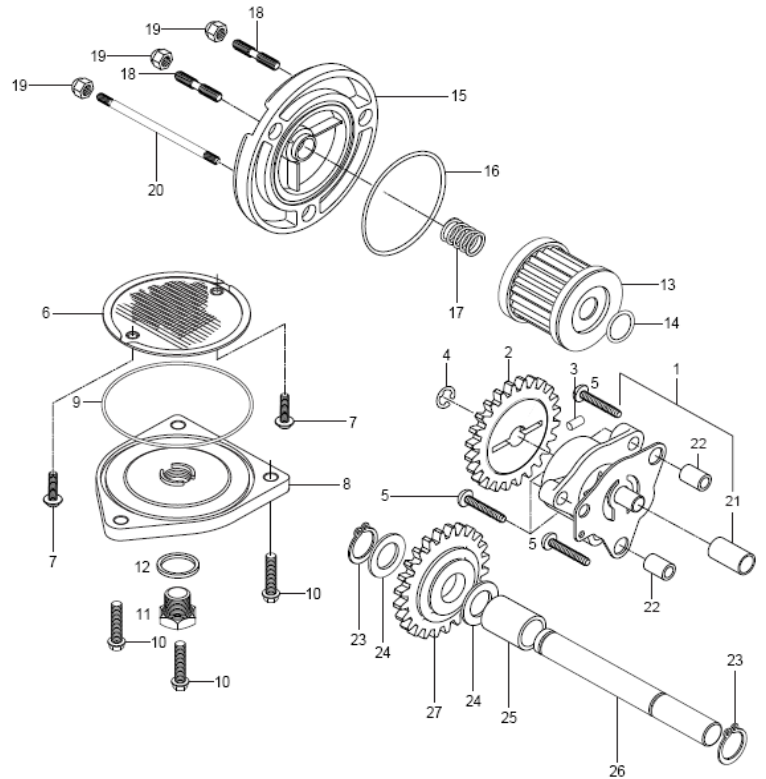
FIG 12



# FIG 13. OIL PUMP

FIG 13

REF. NO.	RNE01 / LAT01	PARTS NAME	Q'TY
1	16400HG5102	PUMP ASSY, oil	1
2	16331HG5102	GEAR, oil pump driven	1
3	09261-02001	PIN, oil pump driven gear	1
4	08332-11069	CIRCLIP, oil pump driven gear	1
5	02112-06258	SCREW, oil pump(M6*25)	3
6	16520-05202	STRAINER COMP, engine oil	1
7	02112-95126	SCREW, engine oil strainer(M5*12)	2
8	16523-05200	CAP, oil strainer	1
9	09280-60005	O-RING, strainer cap (60.5*2.4)	1
10	01547-06208	BOLT, oil strainer cap(M6*20)	3
		~KM4MJ51A961211330	
11	09247-14002	PLUG, oil drain	1
		KM4MJ51A961211331~	
11~1	09247-14019	PLUG, oil drain	1
12	09168H14003	GASKET, drain plug	1
13	16510-05240HAS	FILTER COMP, engine oil	1
14	09280-13004	O-RING, oil filter (13.5*1.5)	1
15	16512HG51000BF	CAP, oil filter	1
16	09280-54001	O-RING, oil filter cap (25.7*3.5)	1
17	09440-18002	SPRING, oil filter cap	1
18	01421-06128	BOLT, oil filter cap stud(M6*12)	2
19	08313-11068	NUT, oil filter cap(M6)	3
20	01421-06658	BOLT, oil filter cap stud(M6*65)	1
21	16419HG5100	BUSH, oil pump	1
22	09206-08001	PIN, oil pump knock	2
23	08331-31109	CIRCLIP,oil pump idle	2
24	08211-10181	WASHER,oil pump idle gear thrust	2
25	09180H10022	SPACER, oil pump idle gear	1
26	16451HG5101	SHAFT, oil pump idle gear	1
27	16431HG5104	GEAR, oil pump idle	1

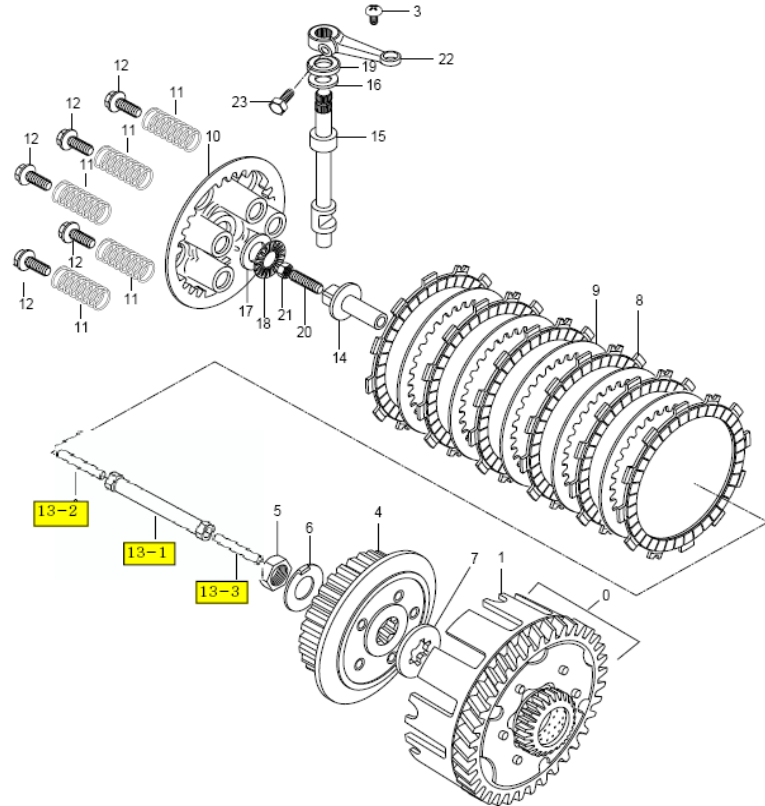


# FIG 14. CLUTCH ASS'Y

# FIG.14

REF. NO.	RNE01 / LAT01	PARTS NAME	Q'TY
----------	---------------	------------	------

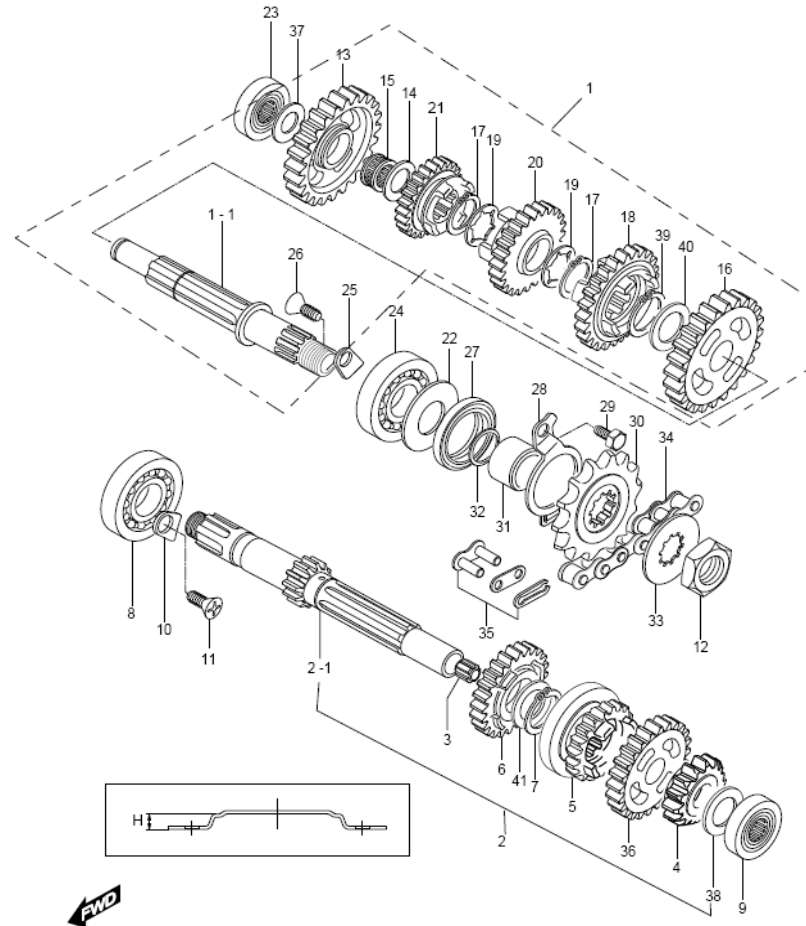
0	21200HJ8200HPA	GEAR ASS'Y,primary driven	1
1	21210HJ8201	GEAR COMP, primary driven	1
2	21251H13E00	SPACER, primary driven gear	1
3	02142-06108	STOPPER, clutch release camshaft oil	1
4	21411HJ8202	HUB, clutch sleeve	1
5	09140-16014	NUT, clutch sleeve hub (M16)	1
6	09169H16001	WASHER, clutch sleeve hub	1
7	09167H18001	THRUST WASHER, clutch sleeve hub	1
8	21441HJ8201	PLATE, clutch drive	6
9	21451HJ8201	PLATE, clutch driven	5
10	21462HJ8201	DISK, clutch pressure	1
11	09440H16003	SPRING, clutch	5
12	09116H05001	BOLT, clutch spring (M5*20)	5
13	23110HJ8201	ROD, clutch push	1
		~KM4MJ51A151210526	
13-1	23110HJ8202	ROD, clutch push	1
		KM4MJ51A151210527~	
13-2	23115HN9100	ROD, clutch push NO.2	1
		KM4MJ51A151210527~	
13-3	23113HJ8200	ROD, clutch push R	1
		KM4MJ51A151210527~	
14	23121-38201	PIECE, clutch push	1
15	23122HG5100	CAM SHAFT, clutch release	1
16	08211-10201	THRUST WASHER, clutch release camshaft	1
17	09160-15015	THRUST WASHER, clutch release	1
18	09263H15001	THRUST BEARING, clutch release	1
19	09282-10007	OIL SEAL, clutch release camshaft(10×20×6)	1
20	09134-06010	SCREW, clutch release adjuster (M6*1)	1
21	08310-22068	NUT, clutch release adjuster(M6)	1
22	23271HJ8250	ARM, clutch release	1
23	01107-06168	BOLT, clutch release arm(M6*16)	1



# FIG. 15. TRANSMISSION

FIG. 15

REF. NO.	PARTS NAME	Q'TY
1	24130HJ8200HPA DRIVE SHAFT ASS'Y	1
1-1	24130HJ8201 SHAFT COMP,drive	
2	24121HJ8200HPA COUNT SHAFT ASS'Y	1
2-1	24121HJ8201 SHAFT, counter ~KM4MJ51A861210999	
2-1~1	24121HJ8202 SHAFT, counter KM4MJ51A861211000~	
3	24125-38201 BUSH, counter shaft	1
4	24221HJ8201 GEAR, 2nd drive	1
5	24241HJ8200 GEAR COMP, 4rd drive	1
6	24251HJ8202 GEAR, 5th drive	1
7	09380H20001 CIRCLIP, 5th drive gear	1
8	08110-62050 BEARING, counter shaft R (#6205)	1
9	09263H17001 BEARING, counter shaft L (24*17*18)	1
10	24741HG5100 RETAINER, counter shaft bearing	1
11	02122-06128 SCREW, counter shaft bearing retainer(M6*12)	1
12	09140-16017 NUT, engine sprocket (M21)	1
13	24311HJ8200 GEAR, 1st driven	1
14	08211-17261 THRUST WASHER, 1st driven gear L	1
15	09263H17008 BEARING, 1st driven gear (21*17*9.8)	1
16	24320HJ8200 GEAR COMP, 2nd driven	1
17	09380H20001 CIRCLIP, 4th drive gear	2
18	24331HJ8200 GEAR, 3rd driven	1
19	09167H18002 THRUST WASHER, 4th driven gear	2
20	24341HJ8200 GEAR, 4th driven	1
21	24351HJ8202 GEAR, 5th driven	1
22	24359-05200 WASHER, oil sealing ~KM4MJ51A861210999	1
22~1	09160H20011 WASHER, oil sealing KM4MJ51A861211000~	1

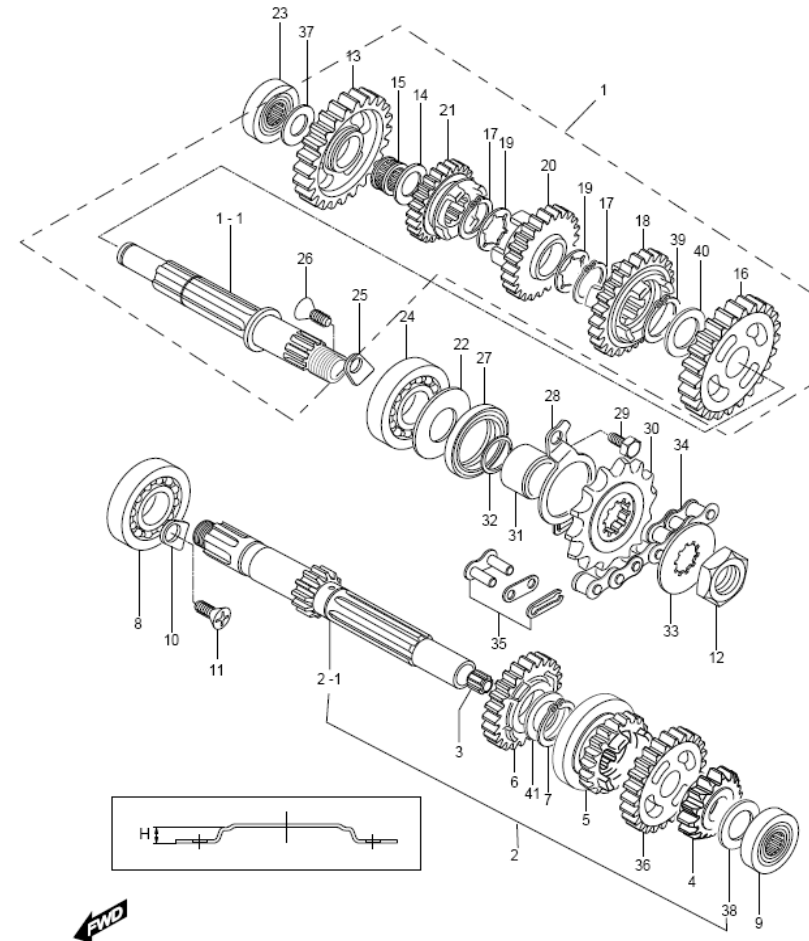


# FIG. 15. TRANSMISSION

# FIG.15

REF. NO.	PARTS NAME	Q'TY
----------	------------	------

23	09263H17007	BEARING, drive shaft R	1
24	09262H22016	BEARING, drive shaft L (22*56*16)	1
25	24741HG5100	RETAINER, drive shaft bearing	1
26	02122-06128	SCREW, drive shaft bearing retainer(M6*12)	1
27	09283-27010	OIL SEAL, drive shaft (40*6)	1
28	24751HG5102	RETAINER, drive shaft oil seal	1
29	01107-06106	BOLT, drive shaft oil seal retainer(M6*10)	2
30	27510HJ8200	SPROCKET COMP, engine 14T(#520)	1
31	27531HJ8200	SPACER, engine sprocket	1
		~KM4MJ51A861210999	
31~1	27531HJ8201	SPACER, engine sprocket	1
		KM4MJ51A861211000~	
32	09280-19005	O-RING, engine sprocket (29*2.4)	1
33	09167H18002	LOCK WASHER, engine sprocket	1
34	27600HJ8220	CHAIN ASS'Y, drive(#520)	1
35	27620H93B00	.JOINT, chain	1
36	24230HJ8200	GEAR, 3rd drive	1
37	08211-17301	WASHER,drive shaft thrust	1
38	08211-17301	WASHER,counter shaft thrust	1
39	09380H20001	CILCLIP,2nd driven gear	1
40	08211-22281	WASHER,2nd drive gear	1
41	08211-22281	WASHER,5th drive gear thrust	1



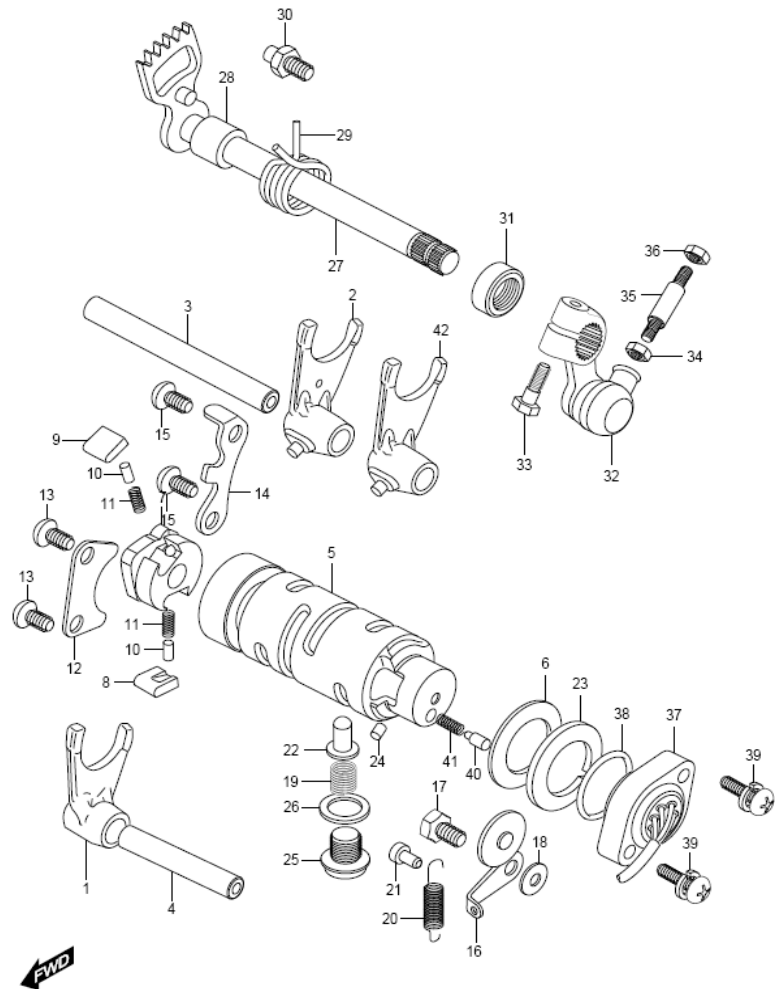


# FIG. 16. GEAR SHIFTING

FIG.16

REF. NO.	PARTS NAME	Q'TY
----------	------------	------

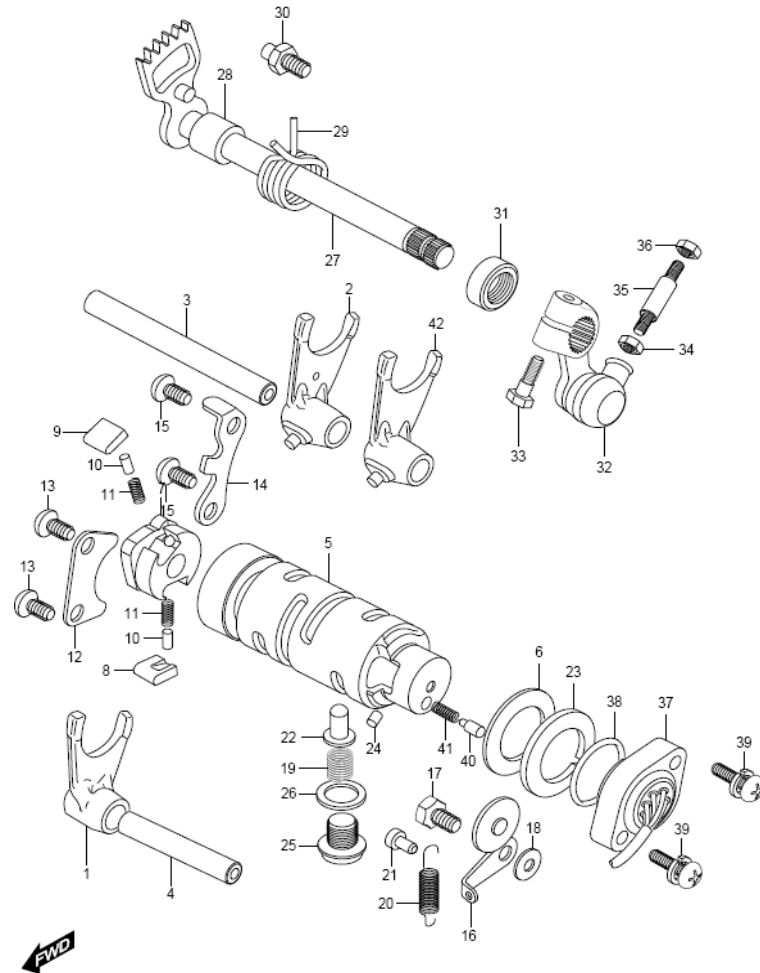
1	25211HJ8200	FORK, gear shift NO.1	1
2	25231HJ8200	FORK, gear shift NO.3	1
3	25411-05201	SHAFT, gear shift fork NO.1	1
4	25421-35403	SHAFT, gear shift fork NO.2	1
5	25310HJ8200	CAM COMP, gear shift	1
6	08211-25401	WASHER, gear shift cam	1
7	25322-31301	GEAR, gear shift cam driven	1
8	25323-34201	PAWL, gear shift NO.1	1
9	25324-34201	PAWL, gear shift NO.2	1
10	09261-05003	PIN, gear shift pawl click	2
11	09440-04003	SPRING, gear shift pawl return	2
12	25331-30000	LIFTER, gear shift pawl	1
13	02122-06128	SCREW, gear shift pawl(M6*12)	2
14	25341HG5100	GUIDE, gear shift cam	1
15	02122-06128	SCREW, gear shift pawl lifter(M6*12)	2
16	25350HG5100	STOPPER COMP, gear shift cam	1
17	09111-06019	BOLT, gear shift cam stopper (M10*14.6)	1
18	08211-06141	WASHER, gear shift cam stopper	1
19	09440H11020	SPRING, gear shift cam stopper	1
20	09443H08044	SPRING, gear shift cam stopper arm	1
21	09223-04001	HOOK, gear shift shaft spring	1
22	25351-30010	STOPPER, gear shift cam neutral	1
23	25381-45400	PLATE, gear shift cam stopper	1
24	04221-04069	PIN, gear shift cam stopper plate	1
25	09247-14026	PLUG, gear shift cam stopper	1
26	09168H14003	WASHER, gear shift cam stopper plug	1
27	25510HG5101	SHAFT COMP, gear shift	1



# FIG 16. GEAR SHIFTING

FIG.16

REF. NO.	PARTS NAME	Q'TY
28	09180-12068 SPACER, gear shift shaft	1
29	09444-26013 .SPRING, gear shift shaft return	1
30	25671-01000 SPOPPER, gear shift arm	1
31	09285-12002 OIL SEAL, gear shift shaft (22*9)	1
32	25520-32C00 .ARM COMP, gear shift link	1
33	01107-06208 BOLT, gear shift link arm (M6*20)	1
34	08310-11068 .NUT, gear shift link rod R(M6)	1
35	25525HG5101 .ROD, gear shift link	1
36	09140-06011 .NUT, gear shift link rod L (M6)	1
37	37720HG5151 SWITCH ASSY, neutral	1
37~1	37720HG5102 SWITCH ASSY, neutral KM4MJ51A051107003~	1
39	02112-95208 SCREW, gear shift switch(M5*20)	3
40	09209-05011 CONTACT, gear shift switch	1
41	09440-04010 SPRING, gear shift switch contact	1
42	25221HJ8200 FORK,gear shift No.2	1
38	09280-26003 o'ring neutral sw	1



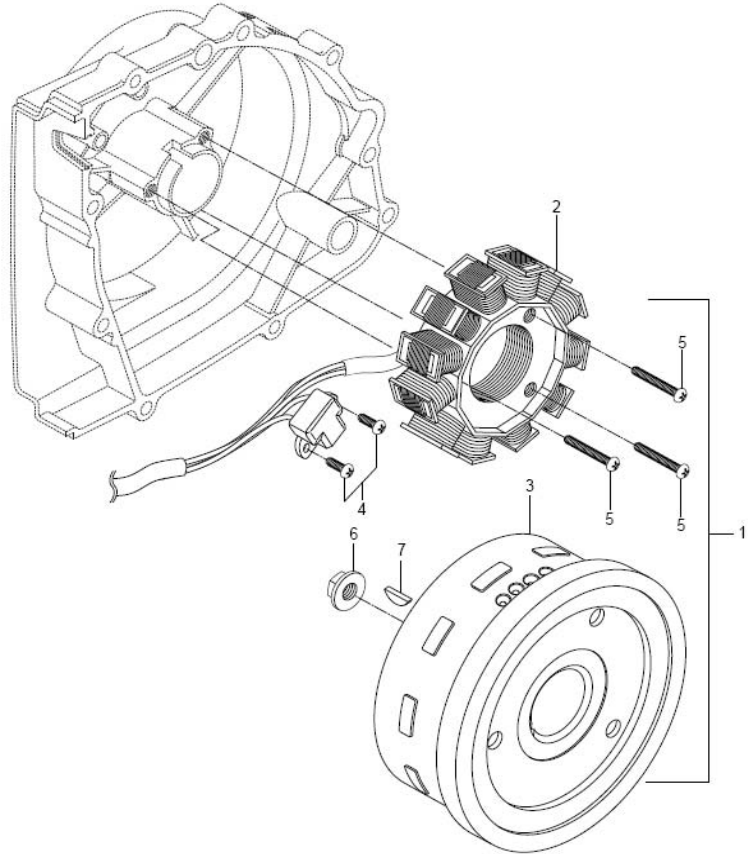


# FIG 18. MAGNETO ASS'Y

REF. NO.	PARTS NAME	Q'TY
----------	------------	------

1	32100HJ8200	MAGNETO ASS'Y	1
2	32101HG5100	.STATOR ASS'Y	1
3	32102HJ8200	.ROTOR, fly wheel	1
4	02112-05128	.SCREW, pick-up coil(M5*12)	2
5	02112-05258	SCREW, magneto stator(M5*25)	3
6	08316-26128	NUT, magneto fly wheel(M12)	1
7	08341-31049	KEY, magneto	1

FIG 18

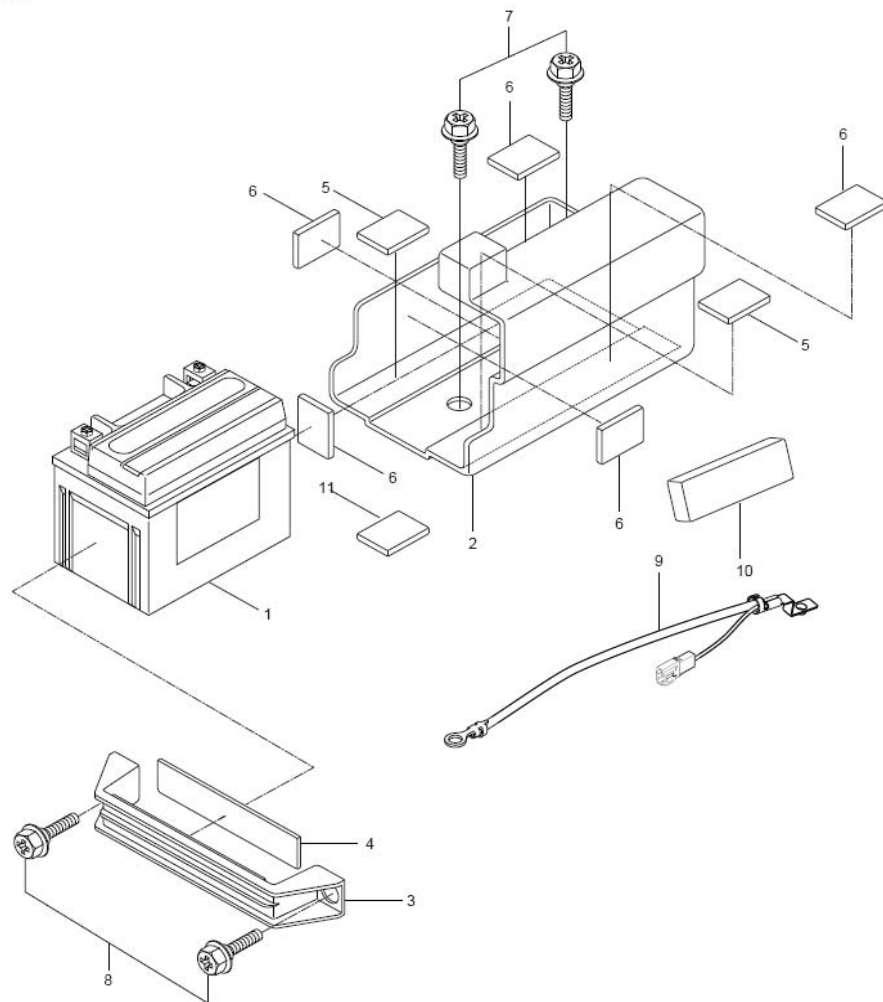


# FIG 19. BATTERY

REF. NO.	PARTS NAME	Q'TY
----------	------------	------

1	33610HL8200 BATTERY ASS'Y ~ KM4MJ525441207460	1
1~1	33610HG5100 BATTERY ASS'Y KM4MJ525441207461 ~	1
2	41541HG5104 HOLDER, battery	1
3	41542HG5102 BAND, battery holder	1
4	33652-29100 CUSHION, battery holder band	1
5	46416HE6100 CUSHION, battery holder No.1	2
6	33652-01A10 CUSHION, battery holder No.2	3
7	02142-06166 BOLT, battery holder(M6*16)	2
8	09128-06039 BOLT, battery holder band(M6*16)	2
9	33860HL8200 LEAD WIRE, battery minus	1
10	PLATE, battery support	
11	CUSHION, battery support plate	

FIG 19

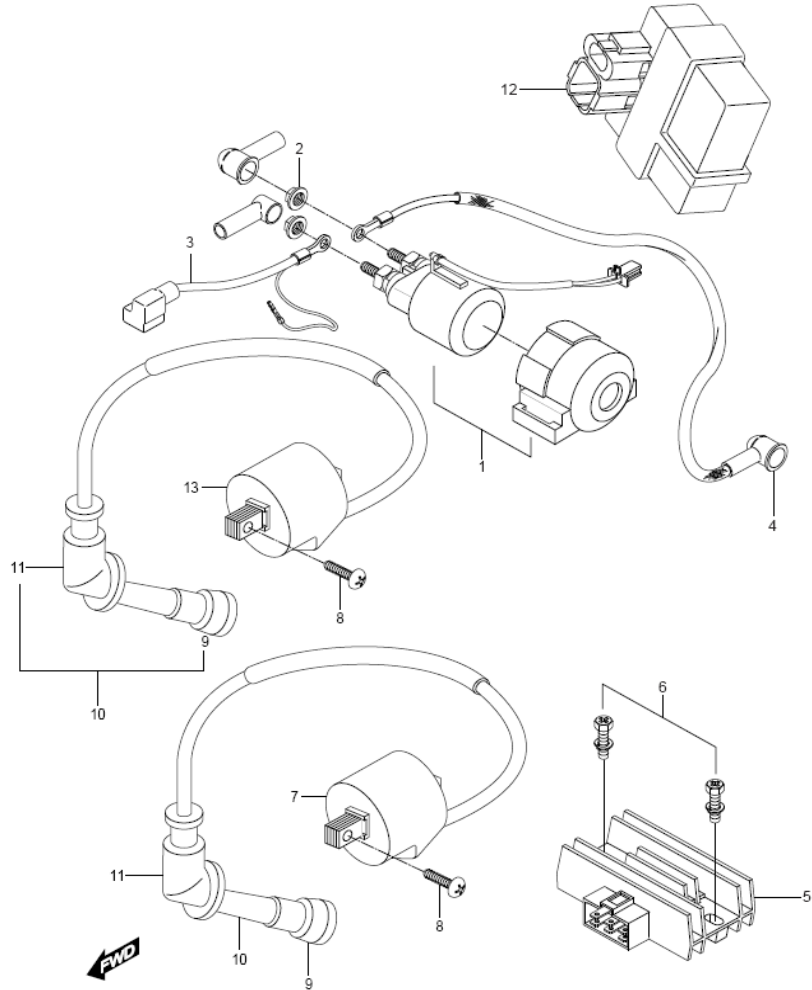


# FIG.20. ELECTRICAL

FIG.20

REF. NO.	PARTS NAME	Q'TY
----------	------------	------

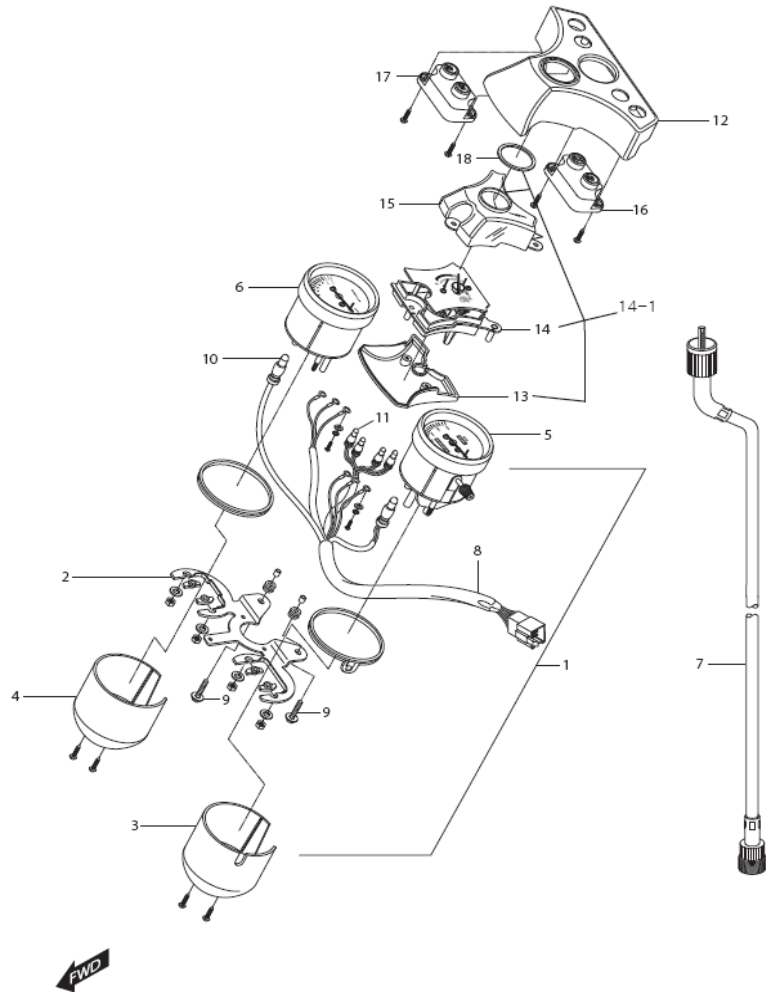
REF. NO.	PARTS NAME	Q'TY
1	31800HG5100 RELAY ASSY, startihg motor	1
2	08316-26066 NUT, startihg motor relay teminal(M6)	2
3	33840HL8200 LEAD WIRE, battery plus	1
4	33850H93B01 LEAD WIRE, starter motor	1
5	32800H01413 RECTIFIER regulator ass'y	1
6	09128-06035 BOLT, rectifier (M6*20)	2
7	33410HG5100 COIL ASS'Y, ignition front	1
8	09128H06052 BOLT, ignition coil	4
9	33541-23E01 .SEAL, spark plug	2
10	33510-05C01 CAP, spark plug	2
11	33542-24D00 including No.9 +No.11	2
12	32900HJ8255 C.D.I UNIT	1
13	33430HG5100 COIL ASS'Y, ignition rear	1
14	09180-06072 SPACER,ignition coil	4
15		1



# FIG.21. SPEEDOMETER ASS'Y

# FIG.21

REF. NO.	PARTS NAME	QTY	
1	34100HJ8250	SPEEDONETER ASS'Y	1
		DIGITAL SPEEDONETER ASS'Y	1
2	34950HG5100	BRACKET	1
3	34105H93B00	LOWER CASE, speedometer	1
4	34106H93B00	LOWER CASE, tachometer	1
5	34110HJ8250	SPEEDOMETER	1
6	34120HJ8250	TACHOMETER	1
7	34910HG5103	CABLE ASS'Y, speedometer	1
8	34117HG5100	WIRING ASS'Y, speedometer	1
9	09116-06010	BOLT, speedometer bracket	2
10	09471-12077	BULB(12V 1.7W) T10	2
11	09471-12072	BULB(12V 1.7W) T6.5	4
12	39110HG5100	INDICATOR LAMP,upper	1
13	39120HG5100	INDICATOR LAMP ,lower	1
14	34136HG5100	COVER, fuel meter	1
14-1	34130HJ8250	FUEL METER,ass'	1
15	34135HG5100	LENS, fuel meter	1
16	34320HG5100	LAMP, housing LH	1
17	34310HG5100	LAMP, housing RH	1
18	34350HG5100	PACKING, fuel meter	1
		SENSOR ASS'Y, speed meter	1
		CLAMP, speed sensor	3
		CLAMP, speed sensor	1
		COVER, BKT FT UPPER R	1
		COVER, BKT FT UPPER L	1



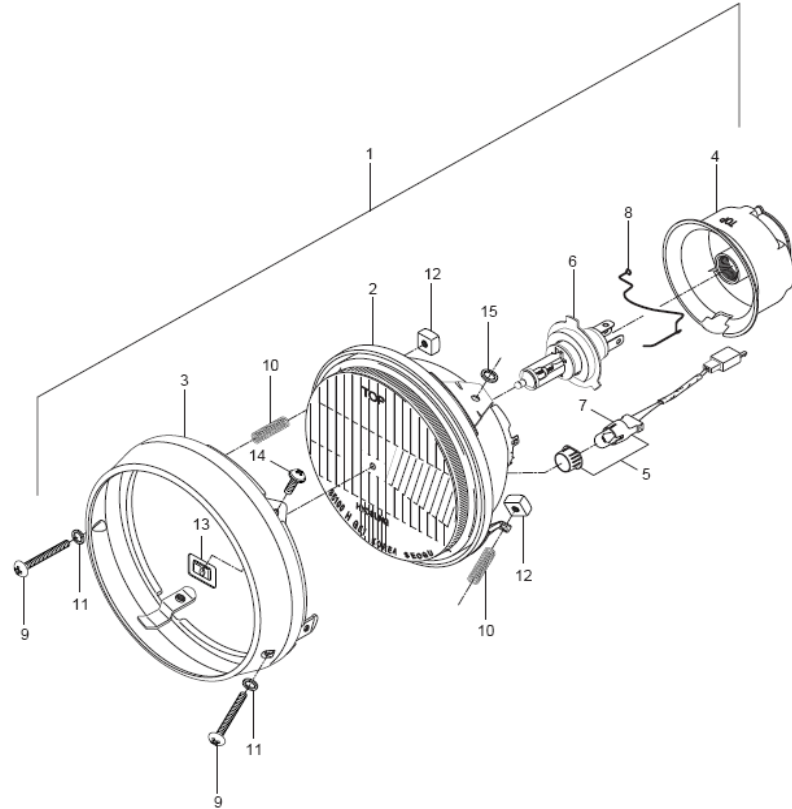


# FIG.22. HEAD LAMP

FIG.22

REF. NO.	PARTS NAME	Q'TY
----------	------------	------

1	35100HM8161	HEAD LAMP ASS'Y	1
1-A	35100HM8162	HEAD LAMP ASS'Y	1
2	35120HM8160	.REFLECTOR+LENS, headlamp	1
2-A		.REFLECTOR+LENS, headlamp	1
3	35111HM8100	.RIM, headlamp	1
4	35173HM8100	.DUST COVER	1
5	35160HE8320	.CORD COMP, front position lamp	1
6	09471H12103	.BULB, head lamp(12V 60/55W)	1
6		.BULB, head lamp(12V 60/55W)	1
7	09471-12110	.BULB, front position lamp(12V W5W)	1
8	35175H93B00	.SPRING, bulb socket	1
9	35151HG5100	.SCREW, aiming	2
10	35154-48510	.SPRING, aiming	2
11	35128H93B00	.WASHER, aiming	2
12	35152-48510	.AIMMING, grommet	2
13	35135-12610	.SPACER, aiming nut	1
14	02112-05088	.SCREW, aiming(M5*8)	2
15	35136HG5800	.WASHER, aiming	2

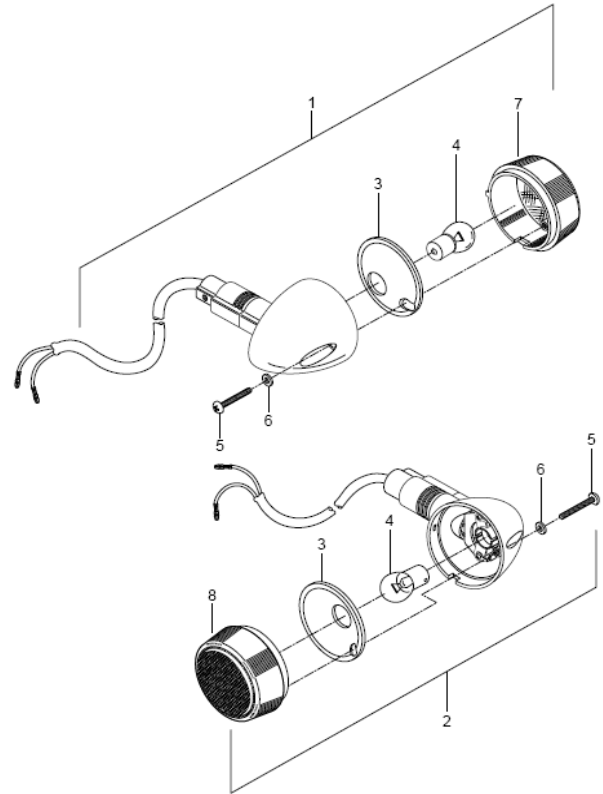


# FIG 23. FRONT TURN SIGNAL LAMP

FIG.23

REF. NO.	RNE01 / LAT01	PARTS NAME	Q`TY
----------	---------------	------------	------

1	35601HJ8261	LAMP, front turnsignal R	1
2	35602HJ8261	LAMP, front turn signal L	1
3	35614HJ8250	.REFLECTOR	2
4	09471-12003	.BULB(12V, 10W)	2
5	02142-05128	SCREW,turnsignal lamp (M5×12)	2
6	35609H93B00	.VINYL WASHER	2
7	35612HJ8250	.LENS, front turnsignal R	1
8	35632HJ8250	.LENS, front turn signal L	1

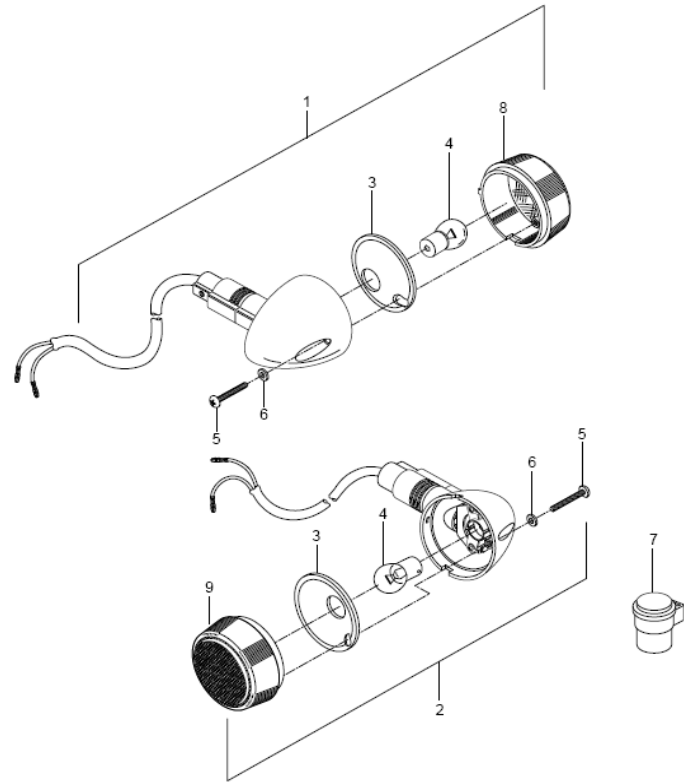


# FIG 24. REAR TURN SIGNAL LAMP

FIG.24

REF. NO.	PARTS NAME	QTY
----------	------------	-----

1	35603HJ8251	LAMP, rear turnsignal R	1
2	35604HJ8251	LAMP, rear turnsignal L	1
3	35614HJ8200	.REFLECTOR	2
4	09471-12003	.BULB(12V, 10W)	2
5	02142-05128	SCREW,turnsignal lamp (M5×12)	2
6	35609H93B00	.VINYL WASHER	2
7	38610H09411	RELAY ASSY, turnsignal	1
8	35632HJ8250	.LENS, rear turnsignal R	1
9	35612HJ8250	.LENS, rear turnsignal L	1

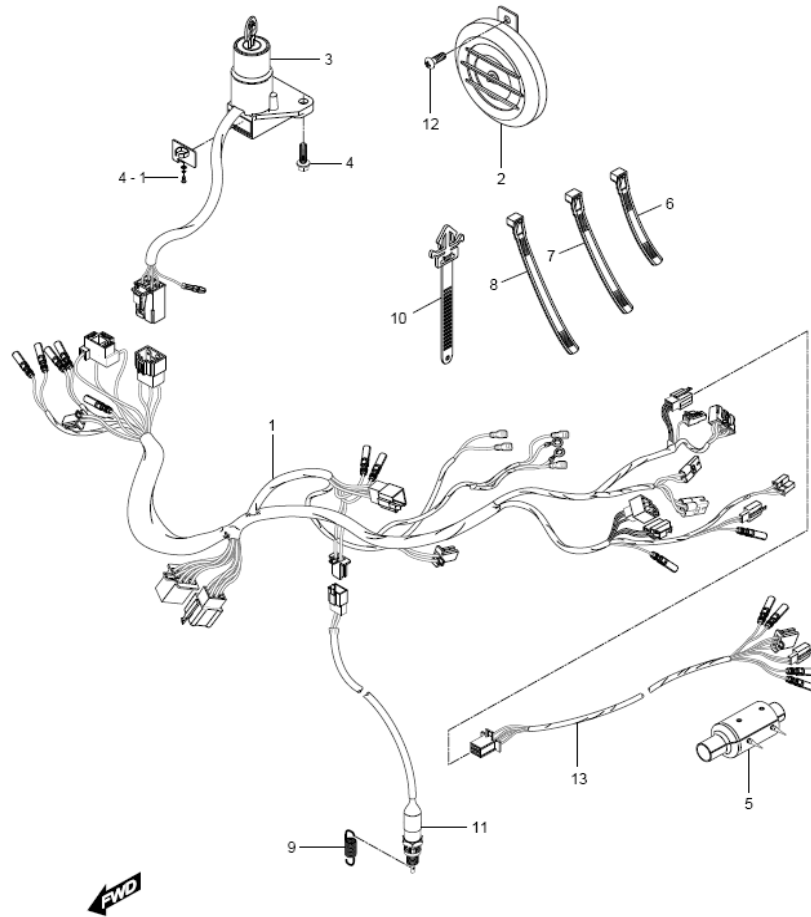


# FIG 25. WIRING HARNESS

FIG.25

REF. NO.	PARTS NAME	Q'TY
----------	------------	------

1	36610HJ8254	HARNESS,wiring	1
1~1	36610HJ8255	HARNESS,wiring	1
1~3	36610HJ8256	HARNESS,wiring	1
	KM4MJ51A051107003~		
2	38500HM8101	HORN ASS'Y	1
2-1	38510H93B00	COVER,horn	1
3	37000HG5130	KEY SET	1
3-1	37110HG5150	BLANK KEY	1
4	01517-06168	BOLT, steering lock No.1(M6*16)	1
4-1	09139H06016	SCREW, steering lock	1
5	36618-30610	TUBE, magneto lead wire	1
6	09407-20406	CLAMP, wiring harness	7
7	09407-11401	CLAMP, wiring harness	2
8	09407-22402	CLAMP, wiring harness	2
9	09443H06006	SPRING	1
10	09407-14408	CLAMP, wiring harness	2
11	37740H93B00	SWITCH ASS'Y, brake lamp	1
12	02112-36128	SCREW, horn(M6*12)	1
13	36670HJ8201	LEAD WIRE, rear combi	1

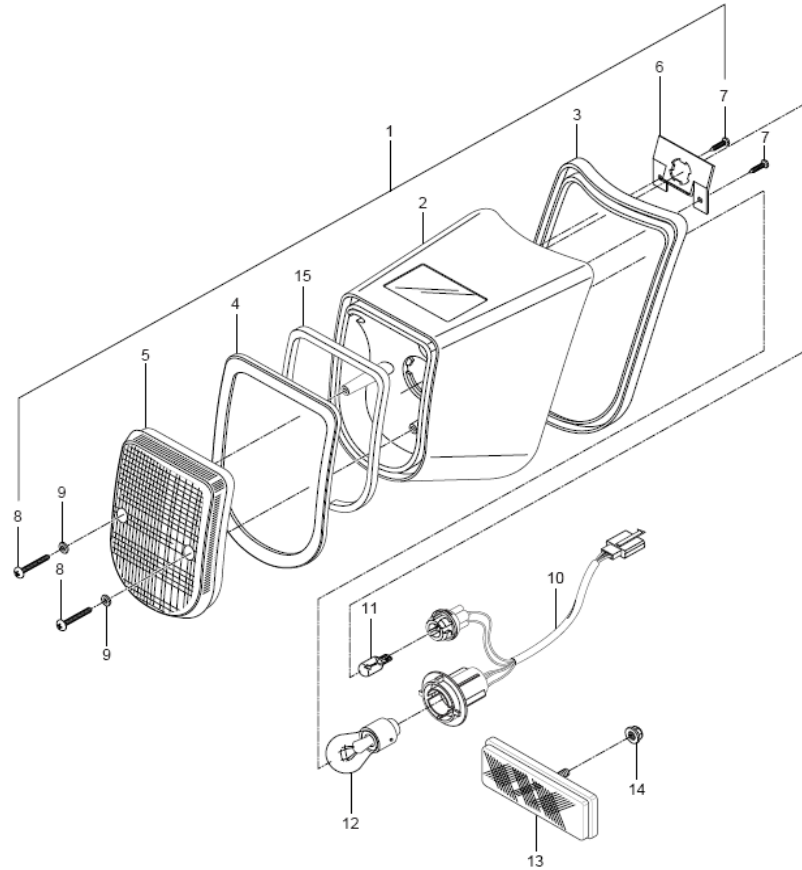


# FIG. 26. REAR COMBINATION

FIG.26

REF. NO.	RNE01 / LAT01	PARTS NAME	Q'TY
----------	---------------	------------	------

1	35710HJ8251	LAMP ASS'Y, rear combi	1
2	35720HJ8200	.REFLECTOR,housing	1
3	35718HJ8200	.RUBBER,housing	1
4	35716HJ8200	.BRACKET,reflector	1
5	35712HJ8250	.LENS, tail & stop	1
6	35927HJ8200	.BRACKET,license	1
7	03211-04126	.SCREW, reflector(M4*12)	2
8	03211-04206	.SCREW,lens(M4*20)	2
9	35609H93B00	.VINYL WASHER	2
10	35760HJ8200	.SOCKET ASS'Y	1
11	09471-12210	.BULB, license lamp (12V 5W)	1
12	09471-12046	.BULB,tail & stop(12V 21/5W)	1
13	35970-24063	REFLEX REFLECTOR ASS'Y, rear	1
14	08316-26055	NUT, rear frflex reflector(M5)	1
15	35722HJ8200	.SPONGE,tail & stop	1

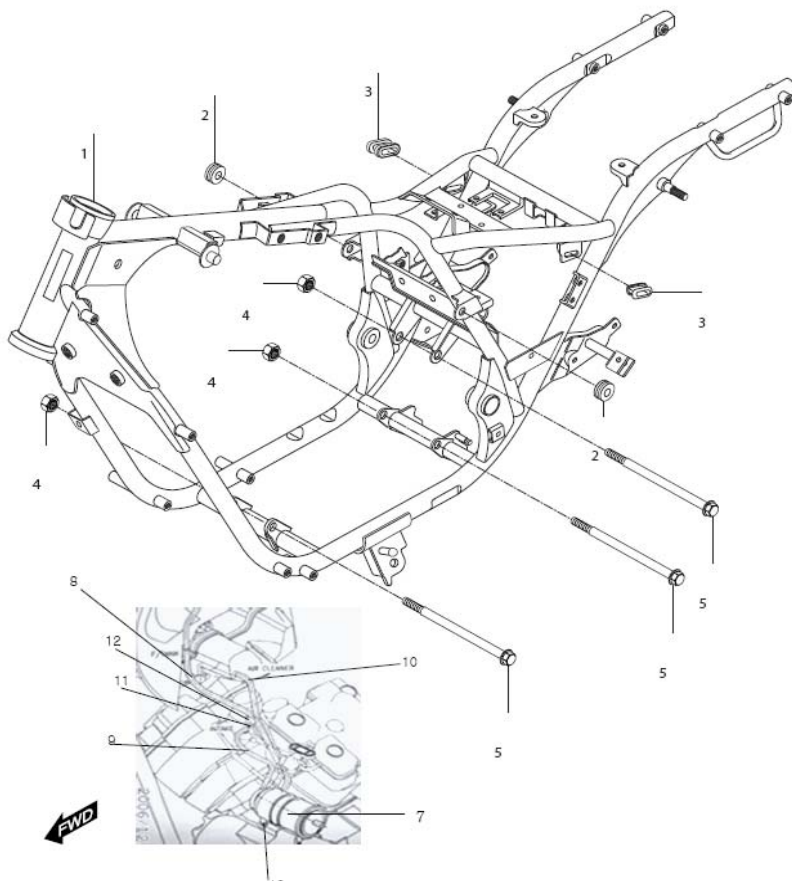


# FIG 27. FRAME

REF. NO.	RNE01 / LAT01	PARTS NAME	Q'TY
----------	---------------	------------	------

1	41100HJ8210PAM	FRAME COMP	1
2	09320-08018	CUSHION, frame & side cover	2
3	09320H06002	CUSHION, frame & side cover	2
4	08319-31106	NUT, frame & engine(M10)	3
5	09103H10022	BOLT, frame & engine(L=110)	3
6		CLAMP,canister engine	1
7		BODY COMP, canister	1
8		HOSE, canister body & fuel tank	1
9		HOSE, canister body & nipple,intake	1
10		HOSE, canister body & air cleaner	1
11		NIPPLE , intake hose	1
12		HOSE, intake pipe	1
13		BOLT, canister	2
14		LABEL, evaporative dirgram	1

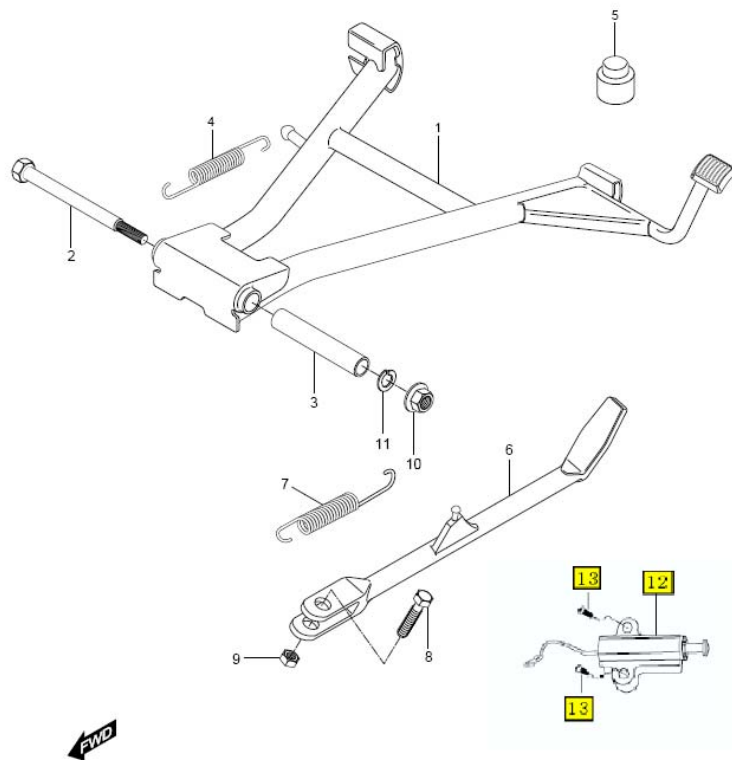
FIG 27



# FIG 28. SIDESTAND

REF. NO.	PARTS NAME	Q'TY
----------	------------	------

1	42100SG5100	Centre stand. OPTION	
6	42310HJ8250PLA	STAND COMP, prop	1
7	09443-15047	SPRING, prop stand outer	1
7-1	09443-06001	SPRING, prop stand in	1
8	09100-10031	BOLT, prop stand(M10*30)	1
9	08313-11107	NUT, prop stand(M10)	1
12	37840HJ8250	SWITCH, side stand	1
13	01517-06205	BOLR, Side Stand Switch	2

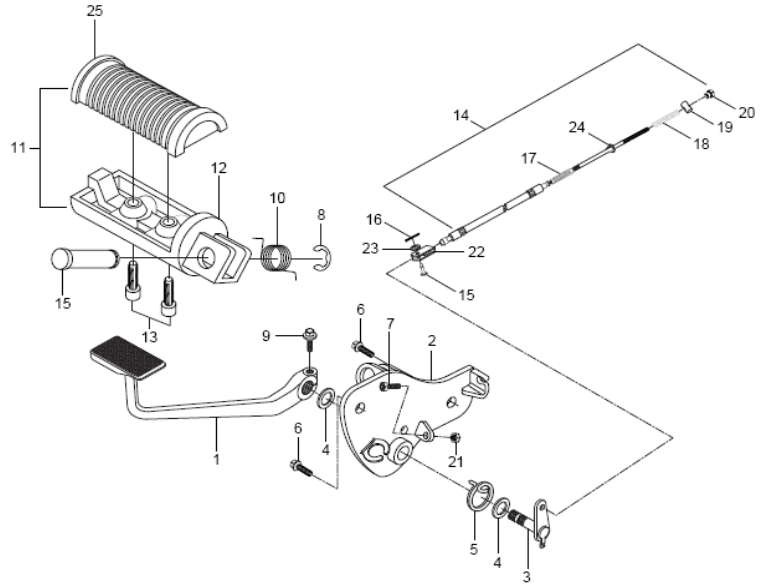


# FIG 29. REAR BRAKE

FIG.29

REF. NO.	PARTS NAME	Q'TY
----------	------------	------

1	43110HD6301PLA	PEDAL COMP, brake	1
2	43510HG5102PLA	BRACKET COMP, front footrest R	1
3	43120H93B00	ARM COMP, brake rod	1
4	43212-04A00	WASHER, brake pedal	1
5	43213-29B00	SPRING, brake pedal	1
6	01527-10258	BOLT, front footrest bracket(M10*25)	2
7	09128-06005	BOLT, brake adjuster(M6*16)	1
8	08332-11106	E-RING, front footrest	1
9	01517-06206	BOLT, brake pedal(M6*20)	1
10	09448H16001	SPRING, front footrest bar	1
11	43501H93B11	FOOTREST ASS'Y, front R	1
12	43571H93B11	BAR, front footrest R	1
13	09106-06030	BOLT, front footrest bar(M6*12)	2
14	58500HG5102	CABEL ASS'Y, rear brake	1
15	09200H12001	PIN, front footrest bar	1
16	04111-20208	COTTER PIN, rear brake cable	1
17	58515H93B00	DUST SEAL-2, rear brake cable	1
18	09440-090A4	SPRING, rear brake adjuster	1
19	09209H11006	PIN, rear braker cable rod lever	1
20	09150-06001	NUT, rear brake cable adjuster	1
21	08310-11066	NUT, brake pedal adjuster	1
22	43533-35C00	HOLDER, rear brake cable	1
23	08322-21068	WASHER, rear brake cable holder	1
24	08332-21068	WASHER, rear brake cable	1
25	43550H93B00	RUBBER COMP, front footrest	1
26	09200-06013	PIN, rear braker cable	1



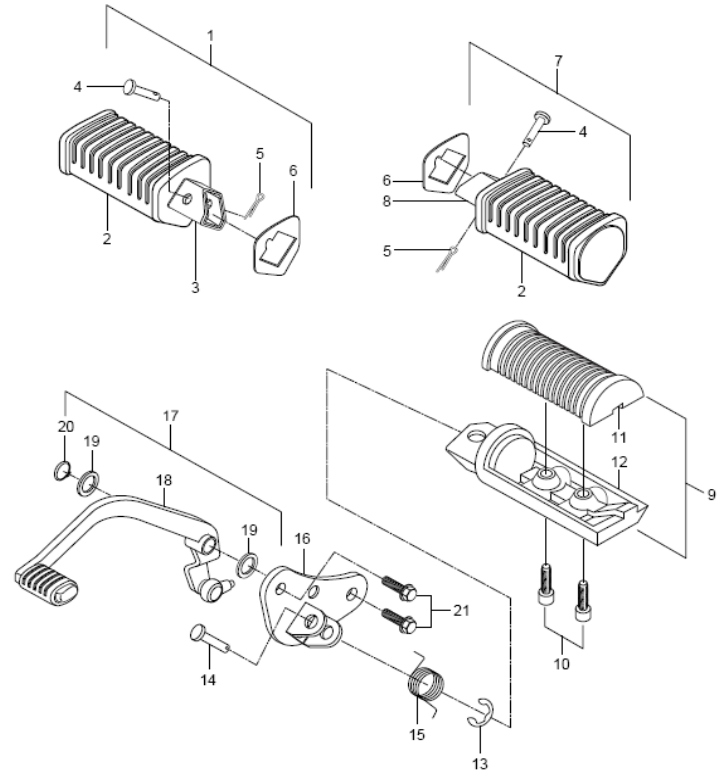


# FIG. 30. FOOTREST

FIG.30

REF. NO.	PARTS NAME	Q'TY
----------	------------	------

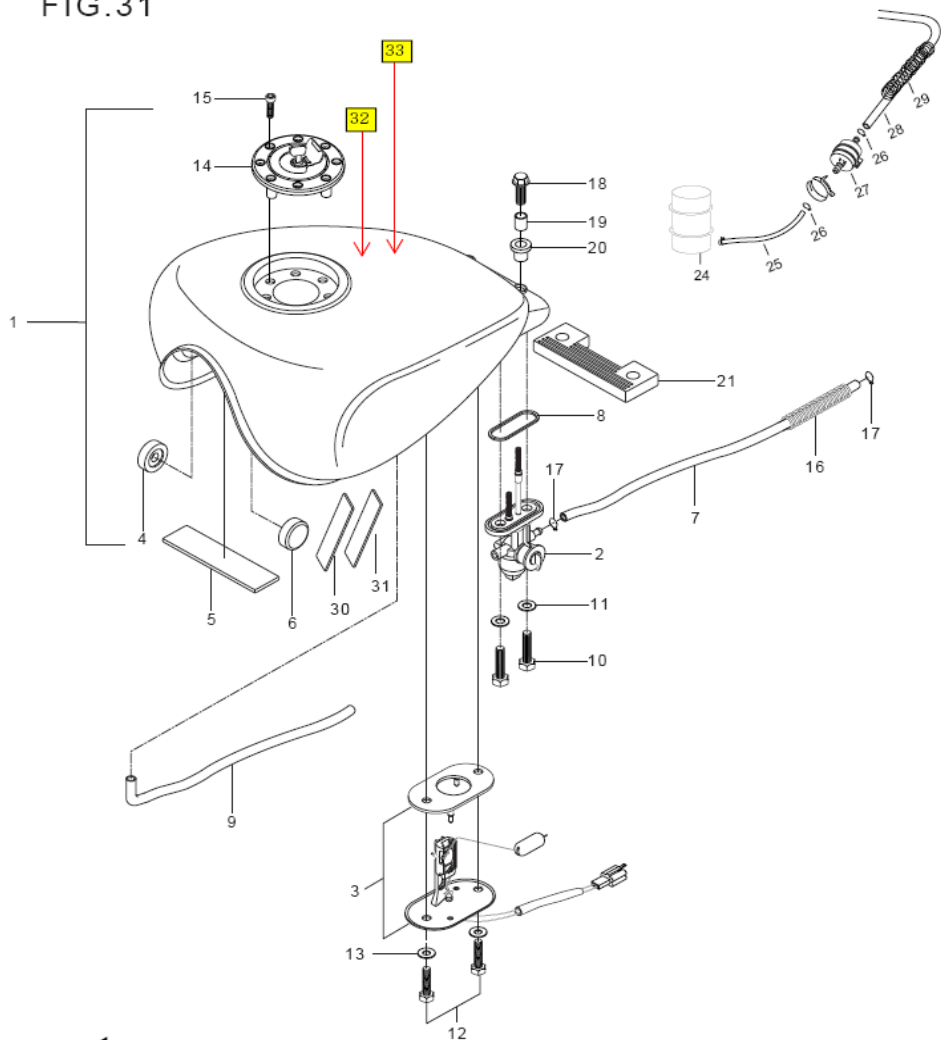
1	43600H93B00	FOOTREST ASSY, pillion R	1
2	43612-05351	.RUBBER, pillion footrest	2
3	43610-05350	.BAR COMP, pillion footrest R	1
4	09200-06010	.PIN, pillion footrest	2
5	04111-20208	.COTTER PIN, pillion footrest	2
6	43631-05350	.WASHER, pillion footrest rubber	2
7	43700H93B00	FOOTREST ASSY, pillion L	1
8	43620-05350	.BAR COMP, pillion footrest L	1
9	43502H93B11	FOOTREST ASSY, front L	1
10	09106-06030	.BOLT, front footrest bar(M6×12)	2
11	43550H93B00	.RUBBER COMP, front footrest	1
12	43581H93B11	.BAR, front footrest L	1
13	08332-11106	E-RING, front footrest	1
14	09200H12001	PIN, front footrest bar	1
15	09448H16001	SPRING, front footrest bar	1
16	43560HG5101PLA	BRACKET, front footrest L	1
17	25609HG5101	LEVER ASSY, gear shift cam	1
18	25610HG5101	LEVER COMP, gear shift cam	1
19	09160-12011	WASHER, gear shift lever	2
20	08331-31128	CIRCLIP, gear shift lever	1
21	01527-10258	BOLT, front footrest bracket(M10*25)	2



# FIG 31. FUEL TANK

REF. NO.	RNE01 / LAT01	PARTS NAME	Q'TY
1	44110HG5103	TANK COMP, fuel (CMS,CPM,CRS,CWW,CW)	1
2	44300HG5103	COCK ASS'Y, fuel	1
3	34810HG5100	GAUGE ASS'Y, fuel sender	1
4	09329-10007	CUSHION, fuel tank inner front R	1
5	44213HG5100	CUSHION, fuel & tank inner body	1
6	09329-10007	CUSHION, fuel tank inner front	1
7	44199HJ8200	HOSE, fuel (L=170)	1
7~1	44199HJ8230	HOSE, fuel (L=170) ~KM4MJ51A041206549 KM4MJ51A041206550~	1
8	44348-28070	.O-RING	1
9	09352H70103650	HOSE, fuel tank drain (L=650)	1
10	09128-06035	BOLT, fuel cock(M6*20)	2
11	09168-06010	GASKET, fuel cock	2
12	09128-06035	BOLT, fuel sender (M6*20)	2
13	09168-06010	GASKET, fuel sender	2
14	44200H35C30	.CAP ASS'Y, fuel tank filler	1
15	09106-05017	BOLT, fuel tank filler	8
16	09440H10024	SPRING, outlet No.2 hose	1
17	09401-08401	CLIP, fuel hose	2
18	09116H06084	BOLT, fuel tank rear cushion (M6*25)	2
19	09180H06003	SPACER, fuel tank rear cushion	2
20	09320-10022	CUSHION, fuel tank rear No.2	2
21	44542-38300	CUSHION, fuel tank rear No.1	1

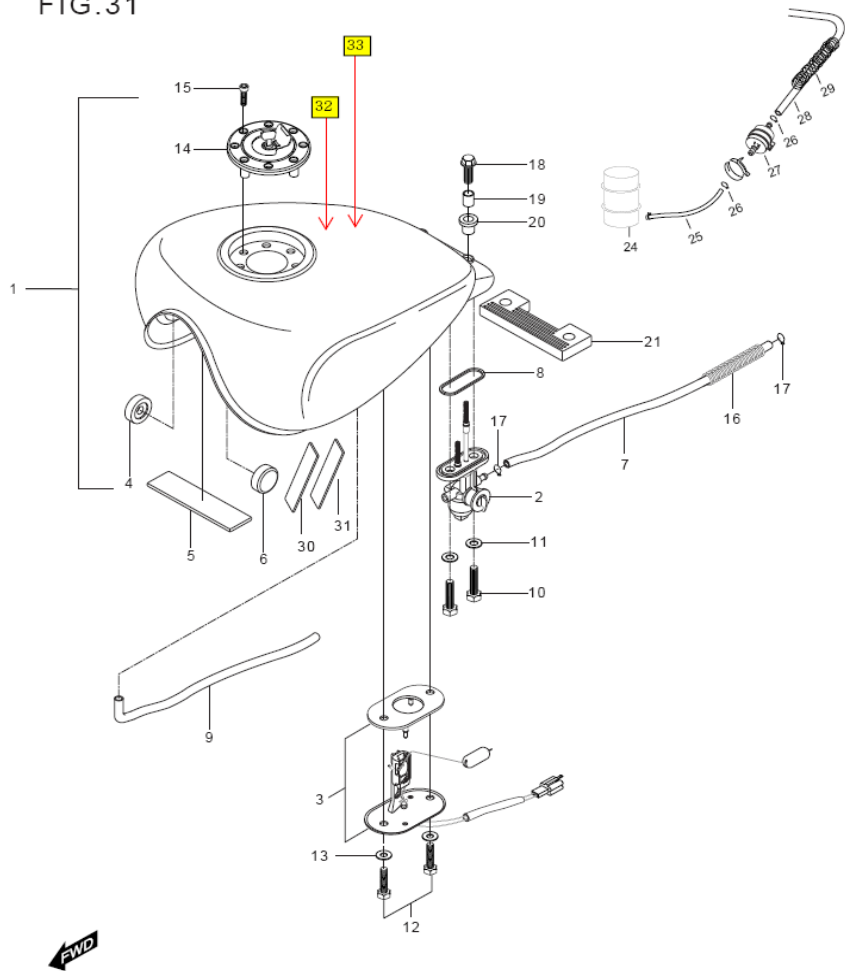
## FIG.31



# FIG 31. FUEL TANK

REF. NO.	RNE01 / LAT01	PARTS NAME	Q'TY
22	68110HJ82000ND	TAPE,fuel tank(WW)	2
22-1	68110HJ82000NE	TAPE,fuel tank(PM)	2
23	68100HG5150CR	EMBLEM,fuel tank	2
24	15100HJ8200HPA	PUMP ASSY,fuel ~ KM4MJ51A041206549	1
24~1	15100HG5100	PUMP ASSY,fuel KM4MJ51A041206550 ~	1
25	15821HG2601	HOSE,fuel pump No.1	1
25~1	15821HJ8230	HOSE,fuel pump No.1	1
26	09401-10401	CLIP,fuel hose	4
27	44910HG2600	STRAINER COMP,fuel	1
28	44197HJ8200	HOSE,fuel inlet NO.2 ~KM4MJ51A041206549	1
28~1	44197HJ8230	HOSE,fuel inlet NO.2 KM4MJ51A041206550 ~	1
29	09440H10024	SPRING ,fuel pump hose	1
30	44214HG5100	CUSHION,fuel tank inlet NO.1	1
31	44215HG5101	CUSHION,fuel tank inlet NO.2	1
32	68319H05350PL	Plate Caution	1

## FIG.31

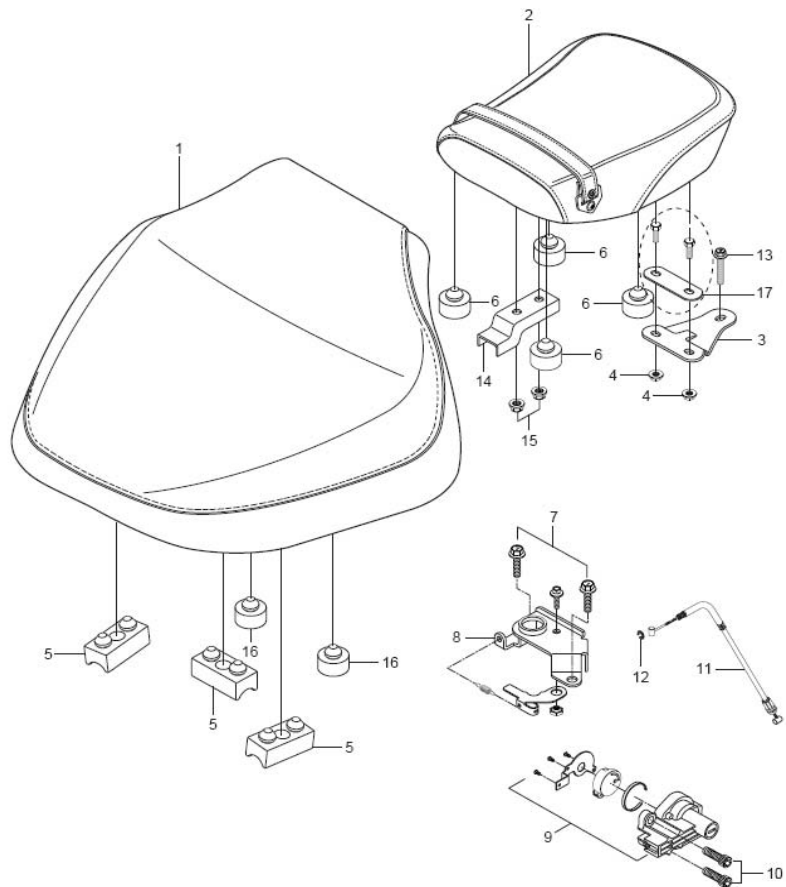


# FIG. 32. SEAT

REF. NO.	PARTS NAME	Q'TY
----------	------------	------

1	45110HG5102HAS	SEAT SET, front	1
2	45200HG5103HAS	SEAT SET, rear	1
3	45291HJ8201	.BRACKET, seat rear	1
4	08316-26066	.NUT, seat rear bracket(M6)	2
5	09321H08007	.CUSHION	3
6	09321-100B2	.CUSHION	4
7	01517-06166	BOLT, seat striker(M6*16)	2
8	45220H93B00	LOCK ASS'Y, seat striker	1
9	95700H93B10	.LOCK ASS'Y, seat helmet	1
10	09106-06030	BOLT, seat lock (M6*10)	2
11	45280HG5100	CABEL COMP, seat lock	1
12	08332-11056	E-RING, seat lock cable	1
13	01517-06256	BOLT, rear seat bracket & tail cover (M6*25)	1
14	45233HG5100	.BRACKET, seat rear hook	1
15	08316-26066	NUT, seat rear hook (M6)	2
16	09321-100B2	.CUSHION	2
17	45231HG5100	.REINF,rear seat support	1

FIG.32

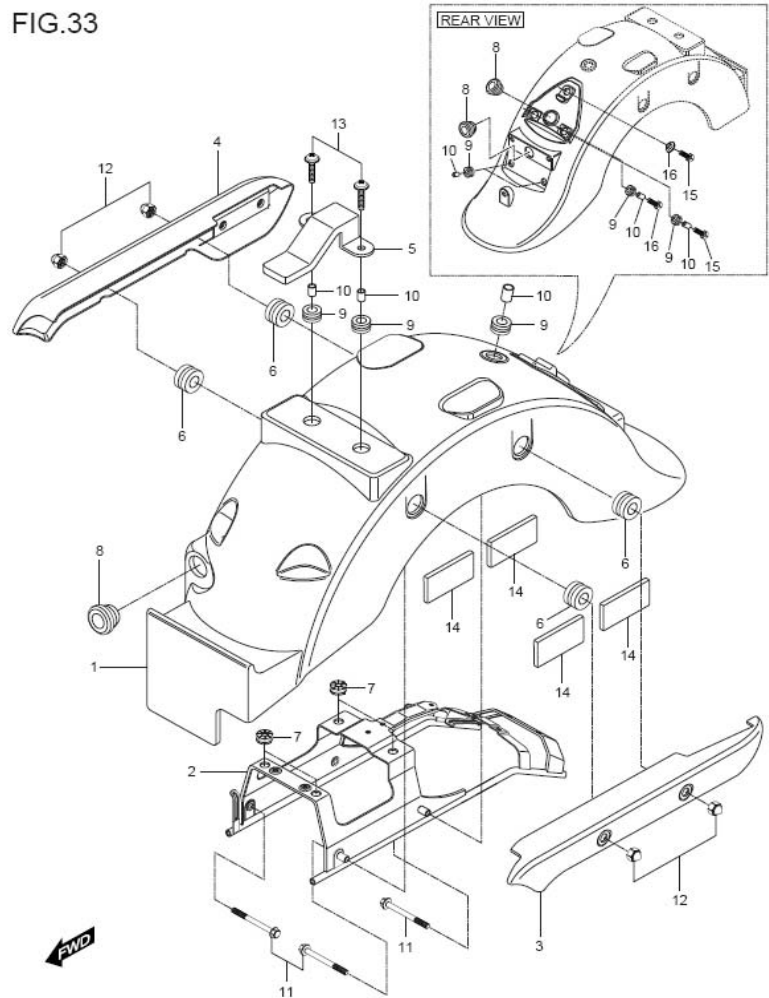


# FIG 33. TAIL COVER

REF. NO.	PARTS NAME	Q'TY
----------	------------	------

1	45511HJ8201	COVER,seat tail (CMB,CMS,CRS,CPM,CWW)	1
2	45520HJ8201	BRACE COMP, seat tail cover	1
3	46230HG5100PLA	PLATE COMP, pillion rider L	1
4	46220HG5100PLA	PLATE COMP, pillion rider R	1
5	45232HG5100	BRACKET, seat tail & seat	1
6	09320-11008	CUSHION, seat tail cover side	4
7	94434H29E00	CUSHION, seat tail cover brace	4
8	09320H12060	GROMMET, seat tail cover	3
9	09320-09016	CUSHION, seat tail cover upper	7
10	09180-06114	SPACER, seat tail cover upper	7
11	01517-08606	BOLT, pillion rider plate(M8*60)	4
12	08313-11087	NUT, pillion rider plate(M8)	4
13	09136H06114	SCREW, seat tail cover upper(M6*25)	4
14	33652-29100	CUSHION, tail cover	4
15	01517-06256	BOLT,seat tail rear cover (M6*25)	3
16	09169-06032	WASHER,tail rear cover upper	1

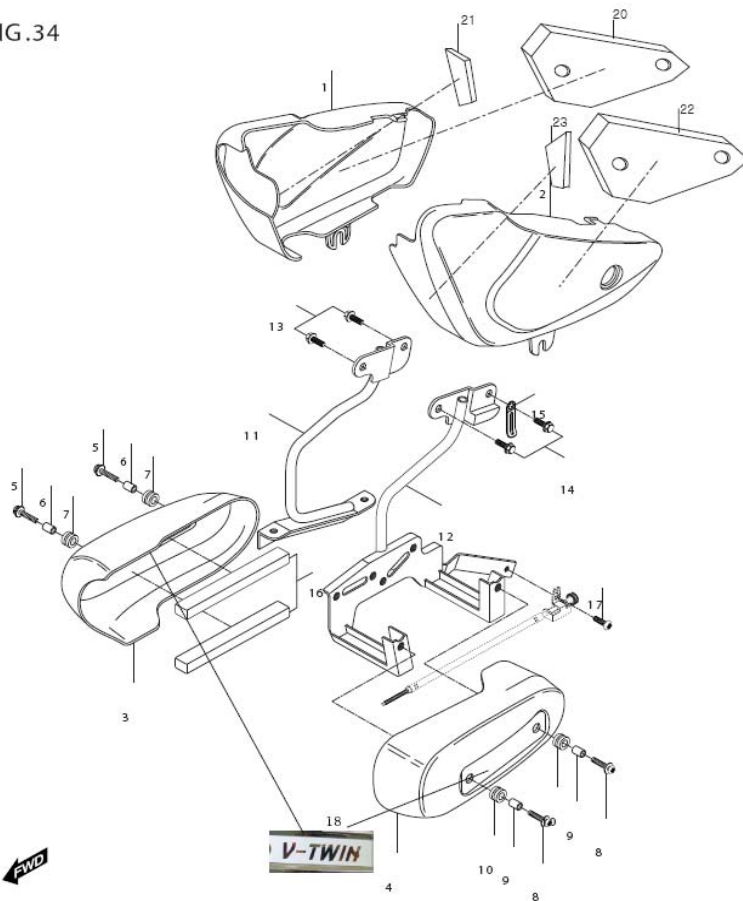
FIG.33



# FIG 34. SIDE COVER

REF. NO.	PARTS NAME	Q'TY
1	47111HG5150 COVER, side R (0BS,0MB,0PR,0SS,0WB) COVER, Side R(With Emblem)	1
2	47211HG5150 COVER, side L (0BS,0MB,0PR,0SS,0WB) COVER, Side L(With Emblem)	1
3	47411HJ8270 COVER, air cleaner element RH	1
4	47421HJ8270 DECO, fuel tank lower & bracket LH	1
5	09136-06022 SCREW, air cleaner element cover RH(M6*20)	2
6	09180-06084 SPACER, air cleaner element cover RH	2
7	09320-09016 CUSHION, air cleaner element cover RH	2
8	09136-06022 SCREW, tank low deco LH & bracket(M6*20)	2
9	09180-06084 SPACER, fuel tank low deco LH	2
10	09320-09016 CUSHION, fuel tank low deco LH	2
11	47450HG5105 BRACKET COMP, air cleaner elem cover RH	1
11~1	47450HG510503P(KEU0 BRACKET COMP, air cleaner elem cover RH	1
12	47460HG5108 BRACKET COMP, air lower deco LH & frame	1
12~1	47460HG510803P(LATO BRACKET COMP, air lower deco LH & frame	1
13	01517-08166 BOLT, air cleaner element cover bracket(M8*16)	2
14	01517-08166 BOLT, tank lower deco bracket(M8*16)	2
15	09404-08403 CLAMP, deco bracket & ignitoin coil	1
16	47412HG5100 .CUSHION, A/C element cover	2
17	02142-05125 .SCREW,adjuster cable bracket (M5*12)	1
18	68170HG5150 TAPE,air cleaner cover	2
	REFLEX REFTOR	2
19	68130HG51000CR EMBLEM,side cover	2
20	47161HG5150 CUSH,S/COV R NO1	1
21	47162HG5150 CUSH,S/COV R N2	1
22	47261HG5150 CUSH,S/COV L NO1	1
23	47262HG5150 CUSH,S/COV L NO2	1

FIG.34

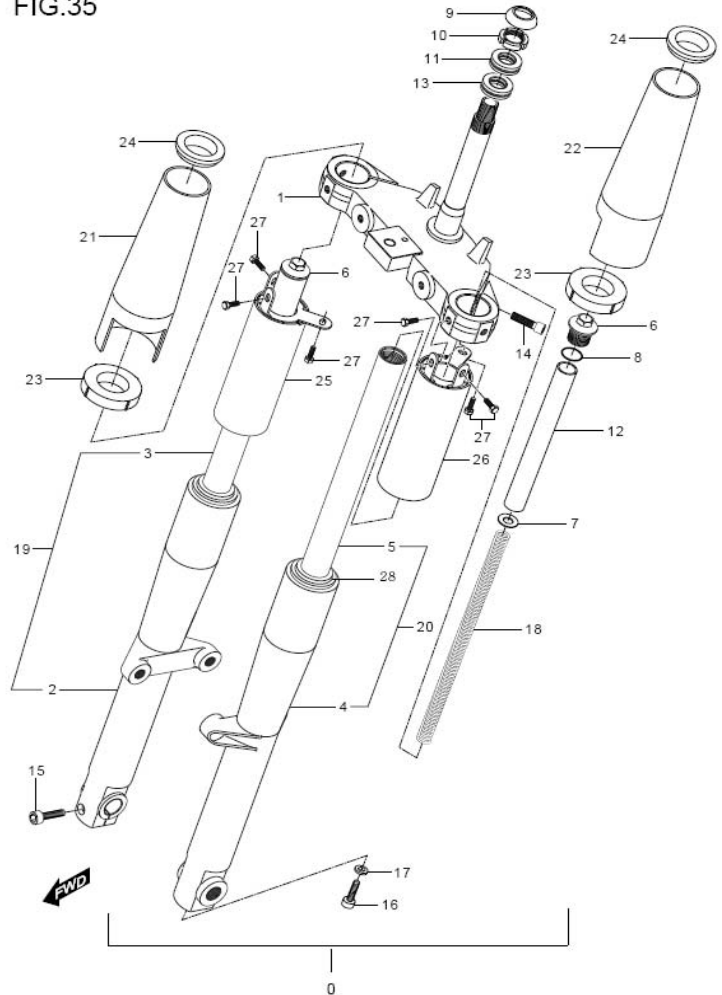


# FIG.35. FRONT FORK

REF. NO.	PARTS NAME	Q'TY
----------	------------	------

0	51100HJ8201HPA	FORK ASS'Y,front	1
1	51410HJ8203	BRACKET COMP, under	1
2	51420HJ8200	.CASE, bottom R	1
3	51415HG5100	PIPE, FORK R	1
4	51520HJ8200	.CASE, bottom L	1
5	51415HG5100	PIPE, FORK L	1
6	51351HG5100	BOLT, front fork upper	2
7	51402HG5100	.GUIDE,spring	2
8	91356HG5100	.O-RING	2
9	51643HG5801	DUST SEAL, steering upper	1
10	51631-28000	NUT, steering stem	1
11	09265H28001	BEARING, steering upper(28*52*16)	1
12	51610HG5100	.SPACER, front fork inner	2
13	09265H28001	BEARING, steering lower(28*52*16)	1
14	07110-08258	BOLT, bracket comp(M8*25)	2
15	07110-08358	BOLT, front fork clamp R (M8*25)	1
16	07110-08256	BOLT, fork clip (M8*25)	1
17	90544H93B00	.WASHER,spacer	2
18	51410HG5100	.SPRING, cushion	2
19	51210HJ8200	DAMPER ASS'Y, R	1
20	51220HJ8200	DAMPER ASS'Y, L	1
21	51881HJ8200	COVER,front fork upper,R	1
22	51881HJ8200	COVER,front fork upper,L	1
23	51886HJ8200	CUSHION,front fork cover No.2	2
24	51885HJ8200	CUSHION,front fork cover No.1	2
25	51882HJ8200PLA	COVER COMP,front fork lower RH	1
26	51883HJ8200PLA	COVER COMP,front fork lower LH	1
27	09128-06004	BOLT,front fork cover lower (M6*10)	6
28	51240-G5100	OIL SEAL, FORK	1

FIG.35

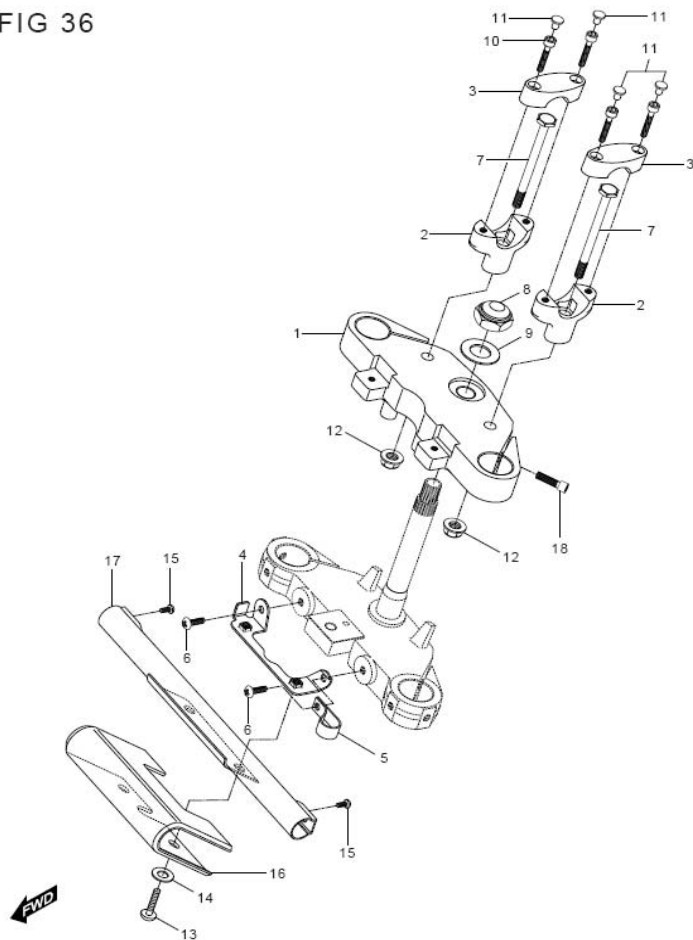


# FIG 36. STEERING HEAD

REF. NO.	PARTS NAME	Q'TY
----------	------------	------

1	51311HG510703P	BRACKET, front fork upper	1
2	56221HG510403P	HOLDER, handle lower	2
3	56211HG510403P	HOLDER, handle upper	2
4	51760HG5102	GUIDER, under bracket & cable	1
5	09403-19404	CLAMP, bracket hose No.2	1
6	02142-06126	SCREW, upper cable guide No.1(M6*12)	2
7	09100H10071	BOLT, handle holder lower(M10*30)	2
8	09159H22002	NUT, steering upper(M22)	1
9	09160H22032	WASHER, steering upper	1
10	07110-08306	BOLT, handle holder upper(M8*30)	4
11	56222HG5100	CAP, handle holder up bolt	4
12	08319-31108	NUT, handle holder lower(M10)	2
13	09136-06022	SCREW, under bracket cover(M6*20)	2
14	09169H06011	WASHER, turnsignal lamp & cover	2
15	02142-05125	SCREW,turnsignal lamp & cover (M5*12)	2
16	51710HJ8201	COVER, turnsignal tube	1
17	51720HJ8201PLA	TUBE COMP,turnsignal	1
18	07110-08258	BOLT, bracket upper(M8*25)	2

FIG 36



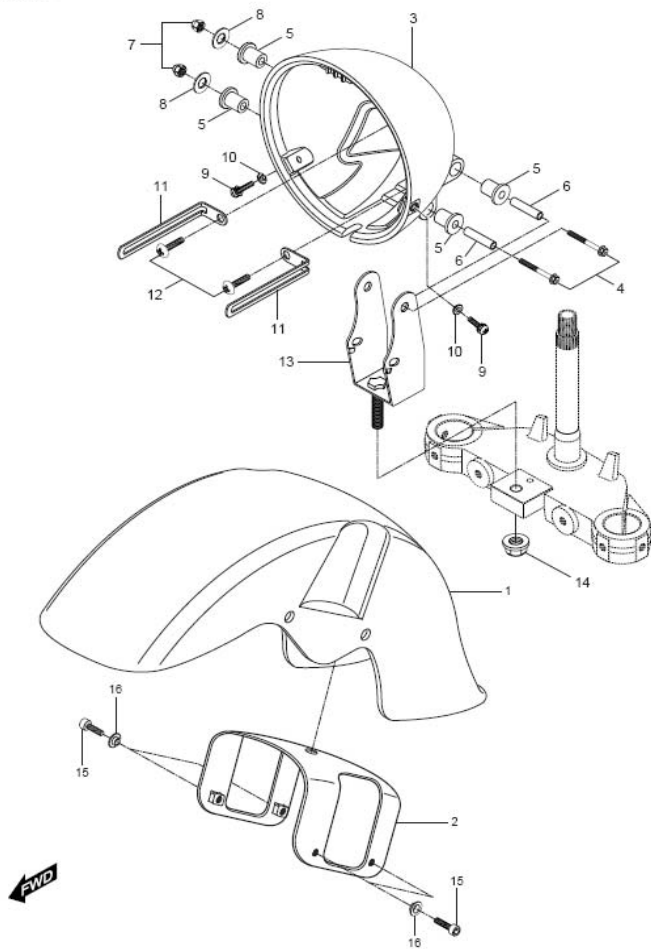


# FIG 37. FRONT FENDER

REF. NO.	PARTS NAME	Q'TY
----------	------------	------

1	53111HJ8202	FENDER, front (0MB,0MS,0PM,0RS,0WW)	1
2	53211HJ8201	FENDER, front (0GB,0MB,0NO,0OB)	1
3	51811HG5150	HOUSING, headlamp	1
4	09103H06013	BOLT, headlamp housing & bracket(M6*45)	2
5	09320H09017	CUSHION, headlamp housing & bracket	4
6	09180H10034	SPACER, headlamp housing & bracket	2
7	08313-11066	NUT, headlamp housing & bracket(M6)	2
8	09160-06060	WASHER, headlamp housing & bracket	2
9	02112-95208	SCREW, housing & headlamp	3
10	09169-05008	WASHER, housing & headlamp	2
11	09404-06405	CLAMP, headlamp housing	2
12	03241-05106	SCREW, headlamp housing clamp	2
13	51820HJ8201	BRACKET COMP, headlamp housing	1
14	08319-31106	NUT, housing bracket & under bracket(M10)	1
15	07110-08256	BOLT,front fender(M8*25)	4
16	09169-08034	WASHER,front fender	4

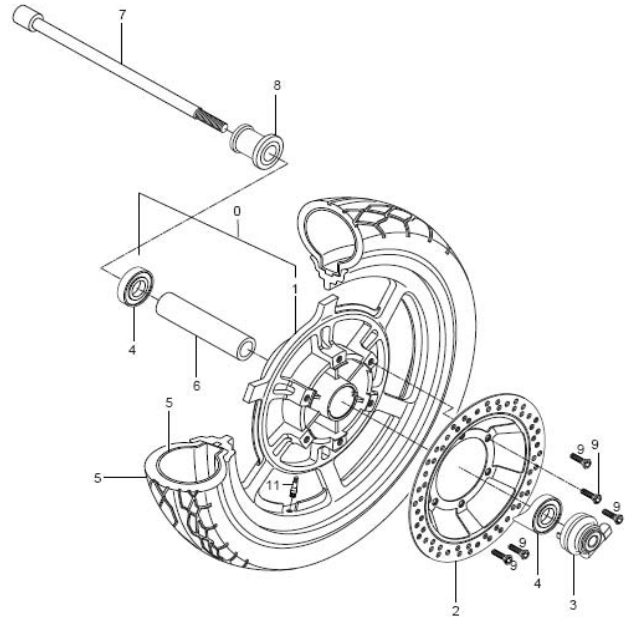
FIG.37



# FIG 38. FRONT WHEEL

REF. NO.	PARTS NAME	Q'TY
0	54140HG5100HPA WHEEL ASSY,front	1
1	54141HG5104 WHEEL, front (J16×MT2.50)	1
2	59211HG5101 DISC, front brake	1
3	54600HG5102 BOX ASS'Y, speedometer gear	1
4	08124-63027 BEARING, front hub(15*42*13)	2
5	55100HJ8200 TIRE SET, front (110/90-16 59s)	1
6	54731HG5100 SPACER, front hub bearing	1
7	54711HG5101 AXLEL, front	1
8	54750HG5100 SPACER COMP, front axle L	1
9	59421-03A01 BOLT, front brake disc(M8*20)	6
10	55220-41D10 .VALVE ASS'Y, wheel rim	1

FIG.38

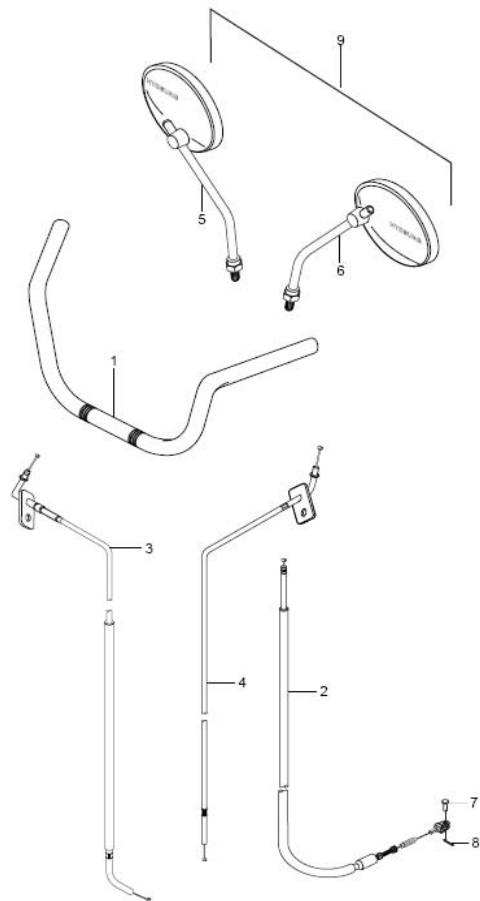


# FIG. 39. HANDLE BAR

REF. NO.	PARTS NAME	Q'TY
----------	------------	------

1	56110HG5154WED HANDLE BAR COMP	1
2	58200HG5101 CABLE ASS'Y CLUTCH	1
3	58300HG5102 CABLE ASS'Y, throttle	1
4	58410HG5103 CABLE COMP, starter	1
5	56500HG5150 .MIRROR ASS'Y ,rear view R	1
5-1	.MIRROR ASS'Y ,rear view R	1
6	56600HG5150 .MIRROR ASS'Y ,rear view L	1
6-1	.MIRROR ASS'Y ,rear view L	1
7	09200-06004 PIN, clutch cable	1
8	04111-20158 COTTER PIN, clutch cable	1
9	56501HG5150 MIRROR SET	1
9-1	MIRROR SET	1

FIG.39

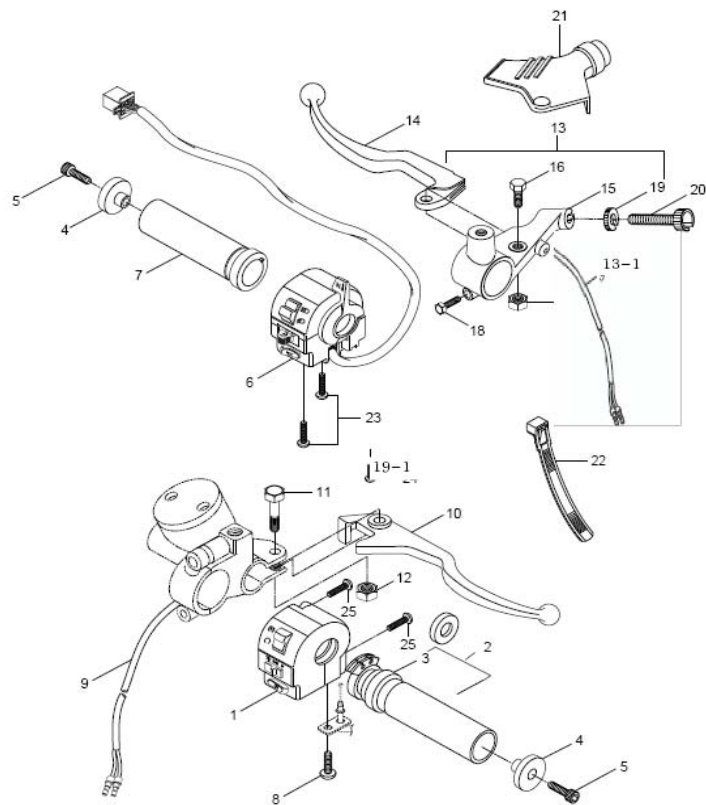


# FIG. 40. HANDLE SWITCH

REF. NO.	PARTS NAME	Q'TY
----------	------------	------

1	37200HJ8210	SWITCH ASSY, handle R	1
2	57110HG5102	GRIP COMP,throttle	1
3	57113H93B00	.COVER, throttle grip	1
4	56271H93B01PLA	BALANCER,handle bar	2
5	07110-08258	BOLT, handle balancer(M8×25)	2
6	37400HG5110	SWLTCH ASSY, handle L	1
7	57210HG5100	GRIP COMP, L	1
8	02112-05105	SCREW, ghorttle cable(M5×10)	1
9	57460H93B00	SWLTCH ASSY, stop	1
10	57421H93B00	LEVER, brake	1
11	57431H18622	BOLT, brake lever pivot(M6*30)	1
12	08319-21068	NUT, brake lever pivot(M6)	1
13	57500HJ8254	LEVER ASSY, clutch	1
13-1	57460HJ8250	SWITCH ASS'Y, clutch	
14	57620HJ8250	.CLUTCH LEVER	1
15	57511HJ8254	.HOLDER, clutch lever	1
16	57431H93B00	.BOLT SET, clutch lever pivot	1
17	08319-21068	NUT, brake lever pivot(M6)	1
18	57451H93B00	.BOLT,clutch lever holder	1
19	57442H93B00	.LOCK NUT	1
20	57441H93B00	.ADJUSTER,wire	1
21	57661HJ8200	COVER, clutch lever	1
22	09407-20406	CLAMP, wiring harness	4
23	02112-05455	.SCREW, handle switch LH(M5*48)	2
24	02112-05105	SCREW, choke cable(M5*10)	1
25	02112-05205	SCREW, handle switch RH(M5*20)	2

FIG.40

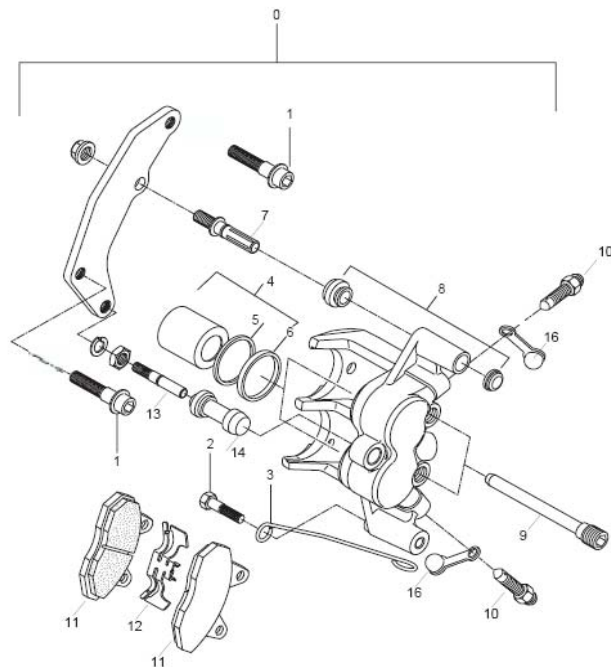


# FIG 41. CALIPER

REF. NO.	PARTS NAME	Q'TY
-------------	------------	------

REF. NO.	PARTS NAME	Q'TY
0	59300HG5112 CALIPERS ASSY, L	1
1	09103H08254 BOLT, calipers	2
2	01514-06106 BOLT, speedometer cable guide(M6*10)	1
3	51418HF4501 GUIDE, speedometer cable	1
4	59303HG5100 .PISTON SET,caliper	1
5	59107HG5100 .SEAL,piston	1
6	59308HG5100 .BOOT,piston	1
7	59305HG5100 .AXLE No.1	1
8	59312HG5100 .BOOT	1
9	59302HG5100 .AXLE,caliper pad	2
10	59121HG5100 .BREATHER	2
11	59301HP9500 .PAD COMP,caliper(8.4t)	1
12	59315HG5100 .SPRING	1
13	59306HG5100 .AXLE No.2	1
14	59313HG5100 .INSULATOR,caliper	1
15	59350HG5100 .CARRIER,caliper	1
16	59122HG5100 .CAP	2

FIG.41

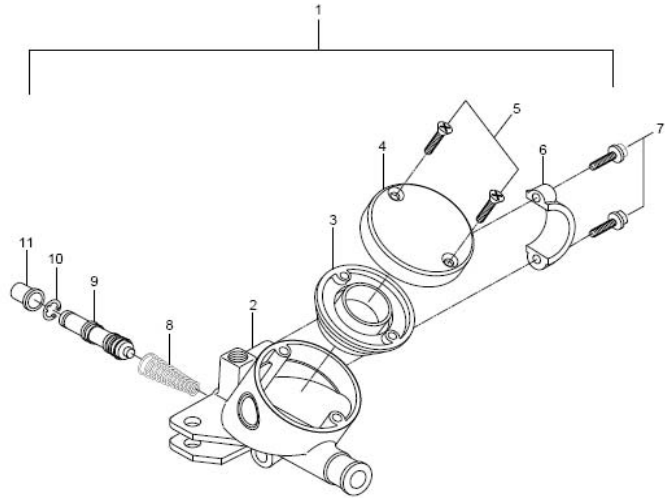


# FIG 42. MASTER CYLINDER

FIG.42

REF. NO.	RNE01 / LAT01	PARTS NAME	Q'TY
-------------	---------------	------------	------

1	59600HG5102	CYLINDER ASSY, front master	1
2	59661H93B00	.BODY	1
3	59686H93B00	.DIAPHRAGM	1
4	59669H93B00	.CAP, reservoir	1
5	59691H93B00	.SCREW, reservoir	1
6	59671-93B00	.HOLDER	1
7	59693-45100	.BOLT SET	2
8	59621-36500	.SPRING, return	1
9	59611-36500	.PISTON	1
10	59665-36500	.CIRCLIP	1
11	59666-54100	.BOOT COMP	1



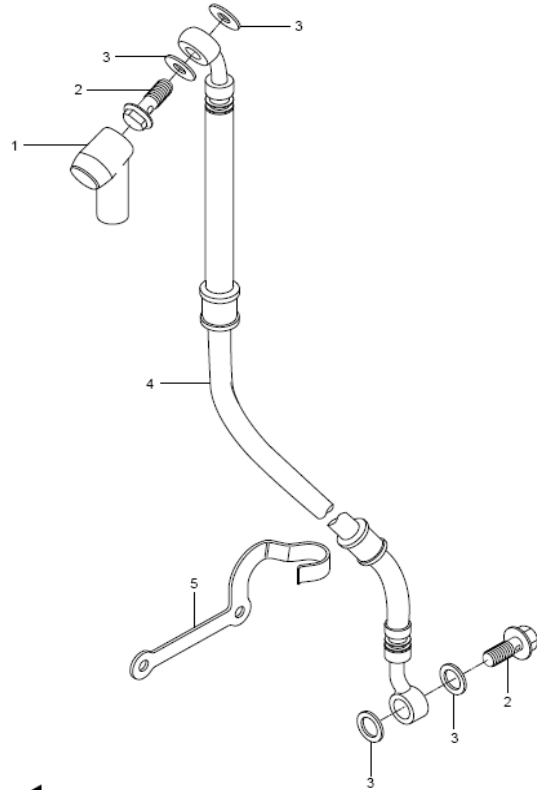
# FIG. 43. FRONT BRAKE HOSE

REF.	PARTS NAME	Q'TY
------	------------	------

NO. RNE01 / LAT01

1	59711H49002	BOOT, brake hose	1
2	09360-10039	BOLT, brake hose(M10*22)	2
3	09161-10005	WAHER, brake hose	4
4	59480HJ8202	HOSE, front brake (L=1019.3)	1
5	59266HJ8200	CLAMP, brake hose No.1	1

FIG.43

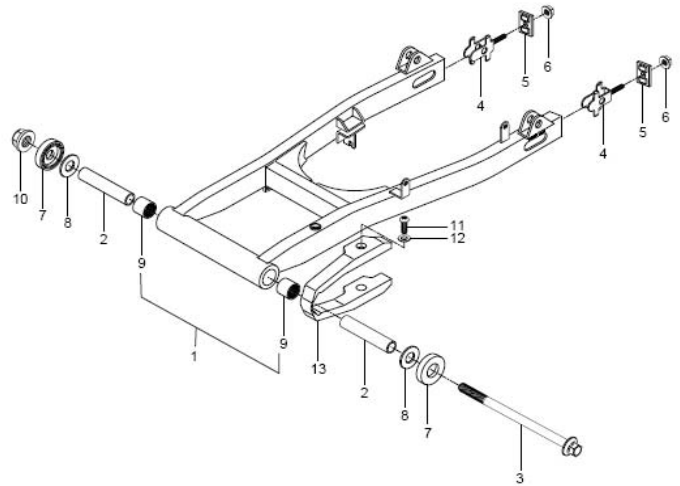


# FIG 44. SWINGING ARM

FIG.44

REF. NO.	PARTS NAME	Q'TY
----------	------------	------

1	61100HJ8204PAM	SWINGING ARM COMP, rear	1
2	61251HG5100	SPACER, swinging arm pivot. bearing	2
3	61211HG5101	SHAFT, rear swinging arm, pivot	1
4	61410HJ8200	ADTUSTER COMP, chain	2
5	61421-01D00	PLATE, chain adjuster guide	2
6	08319-31088	NUT, chain adjuster(M8)	2
7	61262-45002	COVER, rear swinging arm pivot	2
8	08211-14341	THRUST WASHER, swinging arm pivot	2
9	09263-22017	BEARING, rear swinging arm pivot(22*29*30)	2
10	08319-31128	NUT, rear swinging arm pivot(M12)	1
11	02142-06166	SCREW, chain touch defense buffer(M6*16)	2
12	09169H06011	WASHER, chain touch defense buffer	2
13	61273HJ8200	BUFFER, chain touch defense	1



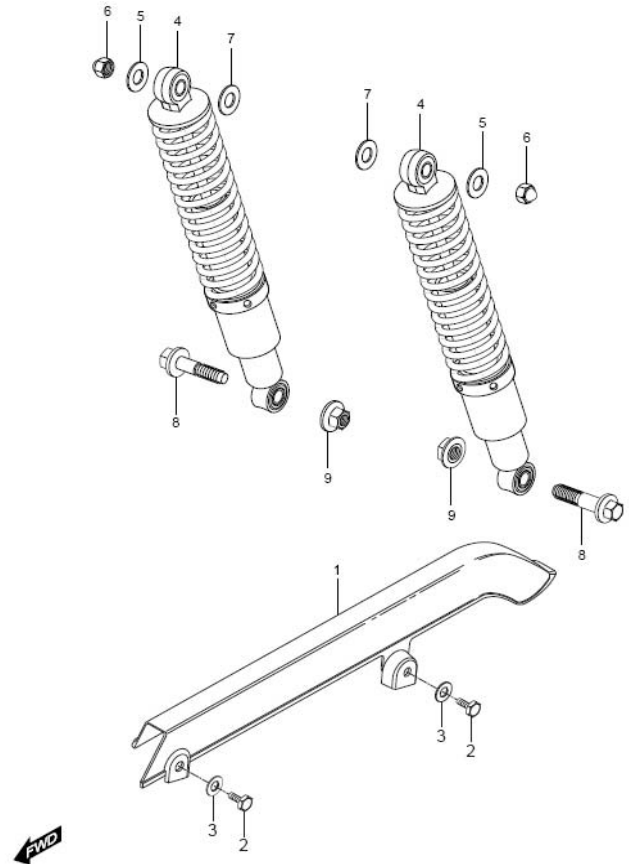


# FIG.45. REAR SHOCK ABSORBER

REF. NO.	RNE01 / LAT01	PARTS NAME	Q'TY
----------	---------------	------------	------

1	61311HG5103	CASE, chain	1
2	01104-06128	BOLT, chain case(M6*12)	2
3	09169-06010	WASHER, chain case	2
4	62100HJ8200	SHOCK ABSORBER ASS'Y, rear	2
5	09160-10001	WASHER, rear shock absorber upper	2
6	08313-11107	NUT, rear shock absorber upper(M10)	2
7	08322-21128	WASHER, rear shock absorber inner upper	2
8	62311-05350	BOLT, rear shock absorber lower (M12*38)	2
9	08316-26128	NUT, rear shock absorber lower (M12)	2

FIG.45

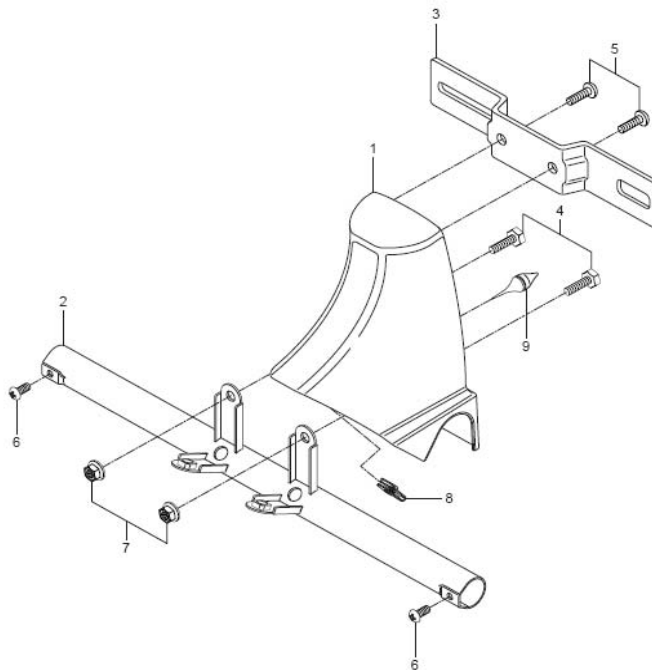


# FIG. 46. TAIL REAR COVER

REF. NO.	RNE01 / LAT01	PARTS NAME	QTY
----------	---------------	------------	-----

1	45541HJ8201	COVER,tail rear	1
2	45530HJ8202PLA	BRACKET COMP,tail rear cover	1
3	35927H44430	BRACKET,license plate	1
4	01107-06166	BOLT,tail rear cover rear (M6*16)	2
5	02142-06126	SCREW,license plate bracket (M6*12)	2
6	02142-05125	SCREW,turnsignal lamp (M5*12)	2
7	08316-26066	NUT,tail rear cover rear (M6)	2
8	09148-06020	NUT,tail rear cover (M6)	1
9	09321-06023	CUSHION,license plate	1

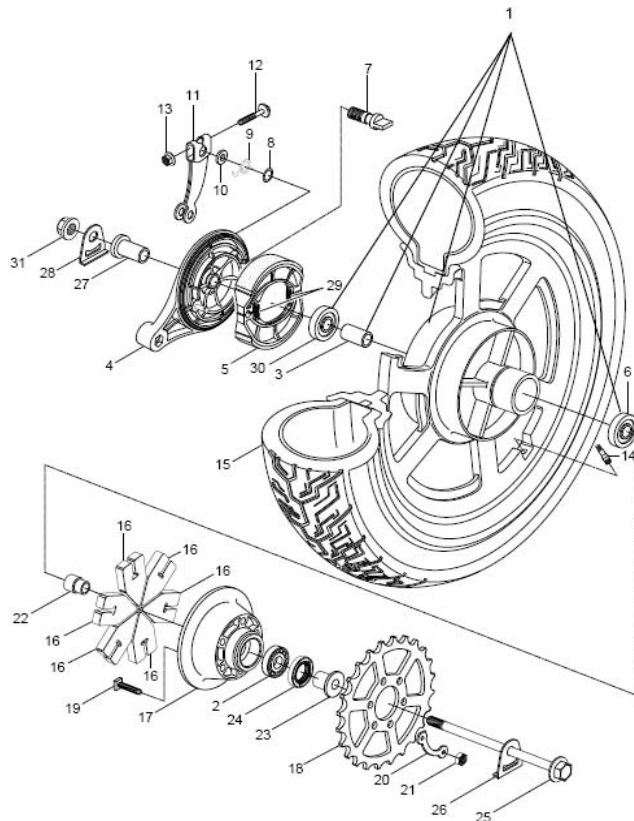
FIG.46



# FIG 47. REAR WHEEL

FIG.47

REF. NO.	RNE01 / LAT01	PARTS NAME	Q'TY
1	64150HJ8200HPA	WHEEL ASSY,rear (J15×MT3.00)	1
2	08113-63057	BEARING, rear sprocket mounting drum(62*25'	1
3	64731HJ8200	SPACER, rear wheel bearing(L=85.2)	1
4	64200HJ8200	PANEL COMP, rear brake anchor	1
5	64400SJ8200	SHOE COMP, rear brake	2
6	08123-63037	BEARING, rear wheel L(47*17*14)	1
7	64441HJ8202	CAM COMP, rear brake	1
8	09280-15001	.O-RING, rear brake cam(14.8*2.4)	1
9	09448-33006	.SPRING,rear brake panel	1
10	09160H15001	.WASHER, rear brake cam dust seal	1
11	64451-13200	LEVER, rear brake cam	1
12	01517-06356	BOLT, rear brake cam lever(M6*35)	1
13	08316-16066	NUT, rear brake cam lever(M6)	1
14	55220-41D10	.VALVE ASS'Y, wheel rim	1
15	65100HJ8200	TIRE SET, rear (130/90-15 M/C 70S)	1
16	64651HJ8201	SHOCK ABSORBER ASS'Y, rear wheel	1
17	64610HJ8203	DRUM, rear sprocket mounting	1
18	64511HJ8205	SPROCKET, rear (520-46T)	1
19	09105-10006	BOLT, rear sprocket(M10*38.1)	6
20	09169-10013	WASHER, rear sprocket	3
21	08310-11108	NUT, rear sprocket(M10)	6
22	64733HJ8200	RETAINER, rear sprocket drum	1
23	64751HJ8200	SPACER, rear axle L	1
24	09285-28001	OILSEAL, rear sprocket mounting drum	1
25	64711HJ8201	AXLE, rear	1
26	64712HJ8200	WASHER, chain adjuster L	1
26-1	64712HJ8201	WASHER, chain adjuster L KM4MJ51A961211331~	1
27	64741HJ8201	SPACER, rear axle R	1
28	64712HJ8200	WASHER, chain adjuster R	1
28-1	64712HJ8201	WASHER, chain adjuster R KM4MJ51A961211331~	1
29	55420HJ8204	.SPRING, rear brake shoe	1
30	08123-63037	BEARING, rear wheel R(47*17*14)	1
31	09159H16002	NUT, rear axle(M16)	1



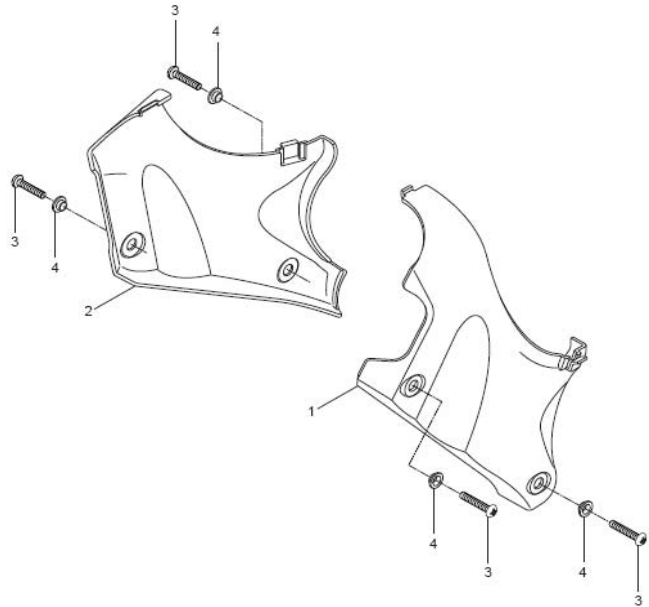
# FIG 48. FRAME HEAD COVER

REF.	PARTS NAME	Q'TY
------	------------	------

NO. RNE01 / LAT01

1	47511HG5103	COVER, frame head R (0MB,0PR,0WB)	1
2	47521HG5103	COVER, frame head L (0MB,0PR,0WB)	1
3	02142-05125	SCREW, frame head cover(M5*12)	4
4	09169-05009	WASHER, frame head cover	4

FIG.48



# FIG. 49. FRAME COVER

REF. NO.	PARTS NAME	Q'TY
----------	------------	------

1	47121HG5101	COVER, side lower R	1
2	47221HG5101	COVER, side lower L	1
3	48242HE6100	BOLT, side lower cover upper(M6*22)	2
4	09180-06011	SPACER, side lower cover lower	2
5	09320-09016	CUSHION, sider lower cover	4
6	47125HG5100	CAP, rear swinging arm pivot	2
7	47131HG5101	COVER, side lower rear RH	1
8	47231HG5101	COVER, side lower rear LH	1
9	02142-05308	SCREW, side lower cover rear(M5*30)	4
10	08322-21058	WASHER, side lower cover rear	4
11	09136-06022	SCREW, side lower cover lower(M6*20)	2

FIG.49

