



 **HYOSUNG**
MOTORS & MACHINERY INC.

REFERENCE

1.The detailed specifications of each model are referred by the persons who are in charge of overseas marketing team, Hyosung.

2.Special demand

When you order any colored parts, please add color code to the end of parts number and it will be helpful to register your parts order.

※ Color code

CMB : MIDNIGHT BLACK

CMO : MANGO ORANGE

CDB : DEEP BLUE

HYOSUNG

FIG 1-1. CYLINDER HEAD/(FRONT)

REF. NO.	NAT01	PART NAME	Q'TY
1	11110SN9100HPA	HEAD ASS'Y, cylinder front(HEAD+PLUG	1
1-A	11110SN9102HPA	E/G NO GT650-111554~	1
2	11171HN91000S1	COVER, cylinder head front	1
3	11173HN9100	GASKET, cylinder head cover	1
4	11141HN9101	GASKET, cylinder head	1
5	13110HN9102	PIPE COMP, intake front	1
6	09402-56208	CLAMP, carburetor	1
7	11131HN9100PCH	HOUSING, camshaft intake	1
8	11132HN9100PCH	HOUSING, camshaft exhaust	1
9	09482-00456	PLUG, spark CR8E	1
10	13131HN9100	O-RING, intake pipe	1
11	09109H07018	BOLT, cylinder head cover NO.1	2
12	09161H11008	WASHER, cylinder head cover	2
13	09106H07017	BOLT, cylinder head cover NO.2	2
14	09103H06002	BOLT, camshaft housing	12
15	09206-08001	KNOCK PIN, camshaft housing	4
16	09103H10001	BOLT, cylinder head (M10)	4
17	09160H10002	WASHER, cylinder head bolt	4
18	07120-06408	BOLT, cylinder head NO.1 (M6)	1
19	09103H06001	BOLT, cylinder head NO.2 (M6)	2
20	04213-13189	PIN, cylinder knock	4
21	01514-08128	BOLT, oil gallery	2
22	09168-08008	GASKET, oil gallery bolt	2
23	02122-06208	SCREW, crank outer	2
24	09280H19001	O-RING, connector hose union	1
25	17680HN9101	UNION COMP, connector	1
26	07110-06108	BOLT	1

FIG 1-1

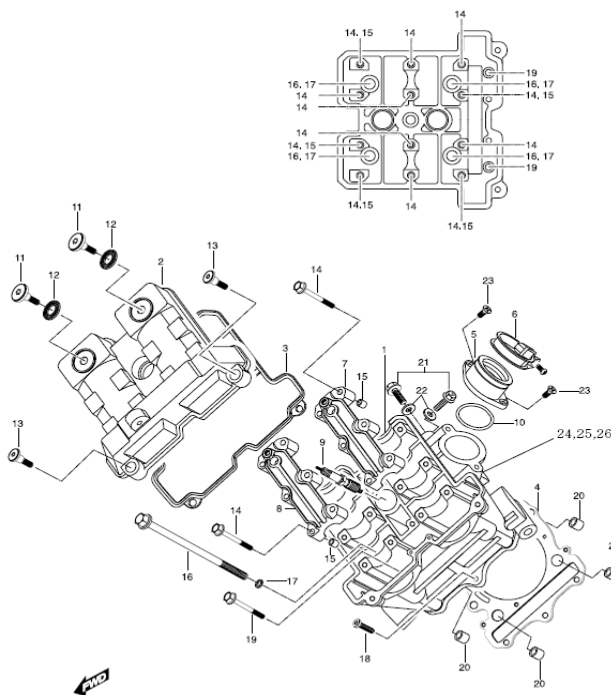


FIG 1-2. CYLINDER HEAD/(REAR)

REF. NO.	NAT01	PART NAME	Q'TY
1	11120SN9100HPA	HEAD ASS'Y, cylinder rear(HEAD+PLUG)	1
1-1			1
1-A	11120SN9102HPA	E/G NO GT650-111554~	1
2	11171HN91000S1	COVER, cylinder head rear	1
3	11173HN9100	GASKET, cylinder head cover	1
4	11141HN9101	GASKET, cylinder head	1
5	13120HN9101	PIPE COMP, intake rear	1
6	09402-56208	CLAMP, carburetor	1
7	11131HN9100PCH	HOUSING, camshaft intake	1
8	11132HN9100PCH	HOUSING, camshaft exhaust	1
9	09482-00456	PLUG, spark CR8E	1
10	13131HN9100	O-RING, intake pipe	1
11	09109H07018	BOLT, cylinder head cover NO.1	2
12	09161H11008	WASHER, cylinder head cover	2
13	09106H07017	BOLT, cylinder head cover NO.2	2
14	09103H06002	BOLT, camshaft housing	12
15	09206-08001	KNOCK PIN, camshaft housing	4
16	09103H10001	BOLT, cylinder head (M10)	4
17	09160H10002	WASHER, cylinder head bolt	4
18	07120-06408	BOLT, cylinder head NO.1 (M6)	1
19	09103H06001	BOLT, cylinder head NO.2 (M6)	2
20	04213-13189	PIN, cylinder head knock	4
21	01514-08128	BOLT, oil gallery	2
22	09168-08008	GASKET, oil gallery bolt	2
23	02122-06208	SCREW, crank outer	2
24	09280H19001	O-RING, connector hose union	1
25	17680HN9101	UNION COMP, connector	1
26	07110-06108	BOLT	1

FIG 1-2

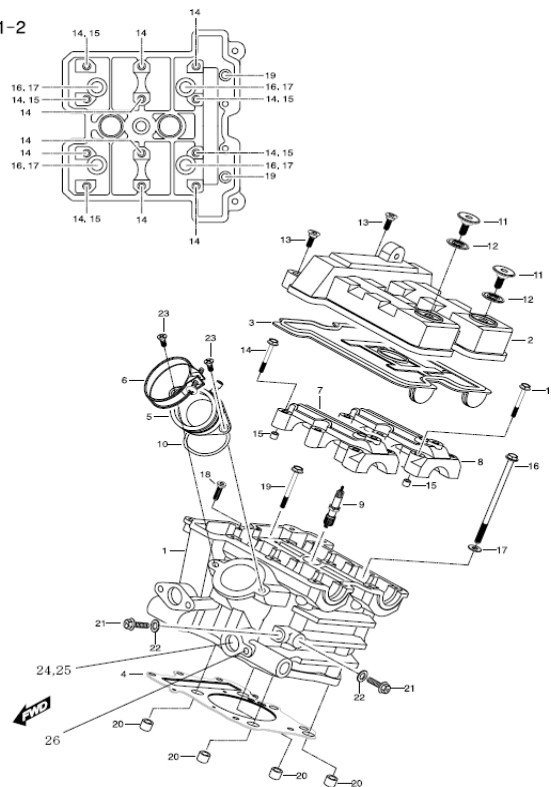


FIG 2. CYLINDER /FRONT, REAR

REF. NO.	NAT01	PART NAME	Q'TY
1	11210HN9100HPA	CYLINDER COMP, front	1
2	11220HN9100HPA	CYLINDER COMP, rear	1
3	11241HN9101	GASKET, cylinder	2
4	04213-13189	PIN, cylinder head knock	4
5	08316-16068	NUT, cylinder (M6)	4
6	01421-06258	BOLT, cylinder stud (M6)	4
7	09364-12001	Breather	

FIG 2

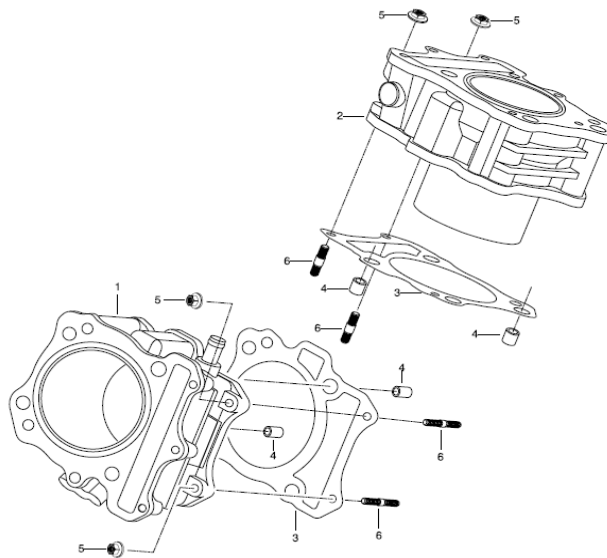
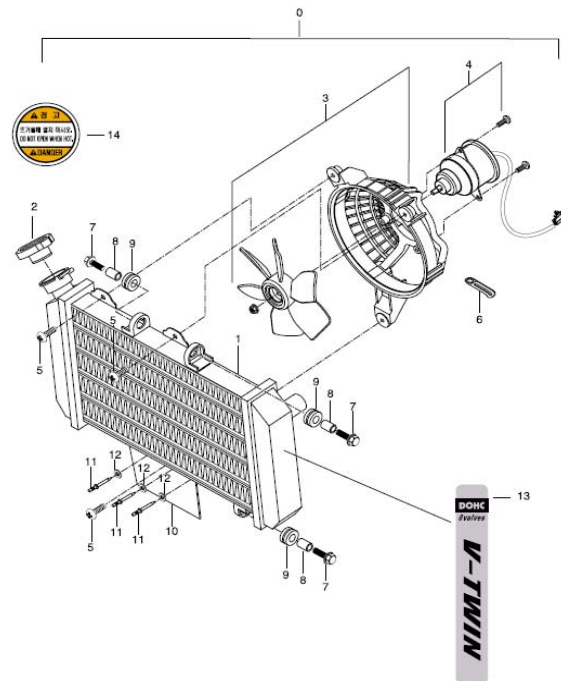


FIG 3. RADIATOR

REF. NO.	NAT01	PART NAME	Q'TY
1	17710HN9102121	RADIATOR COMP, water	1
2	17720HN9100	CAP COMP, radiator	1
3	17800HN9102	FAN ASS'Y, radiator	1
4	17810HN9100	MOTOR ASS'Y, radiator fan	1
5	02142-05165	BOLT, radiator fan	3
6	09404-06429	CLAMP, radiator fan	1
7	09116-06143	BOLT, radiator	3
8	09180-06030	SPACER, radiator	3
9	09320-10015	CUSHION, radiator	3
10	17761HN9100	MUD GUARD, radiator	1
11	09229-03011	RIVET, mud guard	3
12	68928-09F00	WASHER, mud guard rivet	3
13	68150HN9100	PLATE, radiator	2
14	68170HN9100	LABEL, radiator	1

FIG 3



FWD

FIG 4. CRANK CASE

REF. NO.	NAT01	PART NAME	Q'TY
0	11300HN9100HPA	CRANKCASE ASS'Y	1
1	11320HN9104PCC	CRANKCASE COMP, L	1
1~1	11320HN9106PCC	CRANKCASE COMP, L	1
KM4MP52A161100074~			
2	11310HN9104PCC	CRANKCASE COMP, R	1
3	41171HN910103P	LINK, engine mounting L	1
3-1		KM4MP51AX71104451~(07.01~)	1
3-1	41171HN9101121	LINK, engine mounting L(Black)	1
		KM4MP51A561103593~(05.12~)	
4	41161HN910103P	LINK, engine mounting R	1
4-1		KM4MP51A561103593~(05.12~)	1
4-1	41171HN9101121	LINK, engine mounting R(Black)	1
		KM4MP51AX71104451~(07.01~)	
5	09206H18001	PIN, crank case knock	1
6	04213-13189	PIN, crank case knock	2
7	07120-08607	BOLT, crank case M8	2
8	01547-06608	BOLT, crank case M6	6
9	07120-08708	BOLT, crank case M8	2
10	01547-06808	BOLT, crankcase M6	5
11	02112-06958	SCREW, crankcase	2
12	01517-10458	BOLT, engine mounting link & cylhead	4
13	01517-08128	BOLT, oil gallery	2
14	09168-08008	GASKET, oil gallery bolt	2
15	31135HN9100OS1	BRACKET, starter motor	1
16	01547-06258	BOLT, starter motor braket	2
17	01547-06308	BOLT, starter motor	2
18	17481HN9100	UNION, water pump hose	1
19	07110-06108	BOLT, water hose union	1
20	09280H04001	O-RING, oil jet	3
21	11440HN9100	JET COMP, starter clutch oil	1
22	02112-06108	SCREW, oil jet	3
23	08313-11068	NUT, starter motor bracket	2
24	09280H21001	O-RING, water pump union	1
25	11430HN9100	JET COMP, piston rear oil	1
26	11420HN9100	JET COMP, piston front oil	1
27	09103H08001	BOLT, crank case M8(L100)	2
28	09263H18001	BG, clutch release cam No1	1
29	09263H10009	BG, clutch release cam No2	1

FIG 4

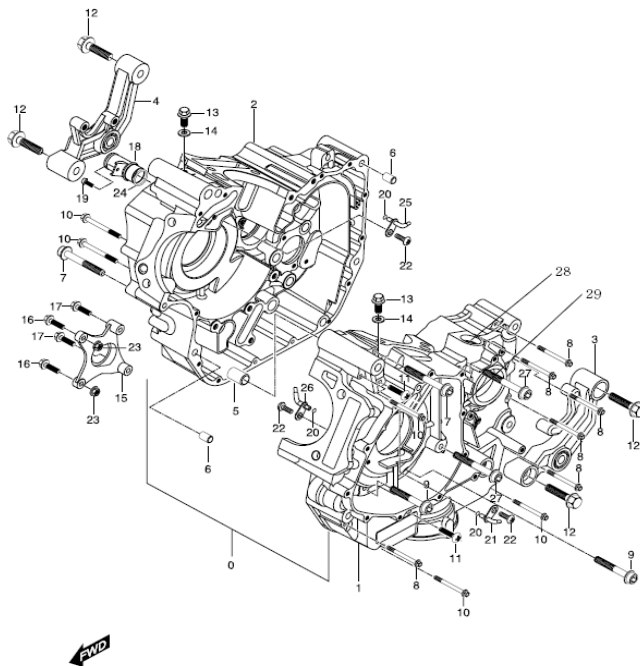


FIG 5. CRANK CASE COVER

REF. NO.	NAT01	PART NAME	Q'TY
1	11331HN91010S1	COVER COMP, clutch (Without oil lens & f	1
	11331SN9101HPA	COVER COMP, clutch (With oil lens & plug	1
2	11351HN91020S1	COVER , magneto	1
3	11481HN9101	GASKET, clutch cover (NA)	1
4	11483HN9101	GASKET, magneto cover	1
5	09247-14026	PLUG, oil check	1
6	09168H14003	GASKET, oil check plug	1
7	09259-2000903P	PLUG, engine oil filler	1
8	09280-17003	O-RING, engine oil filler plug	1
9	04213-13189	PIN, clutch cover knock	2
10	04213-09129	PIN, magneto cover knock	1
11	01547-06358	BOLT, magneto cover	8
12	01547-06558	BOLT, magneto cover	2
13	09404-06401	CLAMP, clutch cover	1
14	09259-2601503P	PLUG, crankshaft hole	1
15	09280-22008	O-RING, crankshaft hole plug	1
16	01547-06358	BOLT, clutch cover	9
17	01547-06258	BOLT, clutch cover outer	4
18	01547-06708	BOLT, clutch cover outer	3
19	01547-06508	BOLT, clutch cover outer	1
20	09247H12102	PLUG, TDC	1
21	09168H12003	GASKET, TDC plug	1
22	11361HN91000S1	COVER, engine sprocket	1
23	11482HN9100		1
24	09243-11008	~KM4MP51A541100124	3
24~1	09243-11005	O-RING, clutch outer cover KM4MP51A541100125(03.12~)	3
25	01547-06258	BOLT, engine sprocket cover	3
26	11332HN9100	LENS, oil level check	1
27	11341HN9101HPA	COV CLUTCH, outer	1
28	09168H06019	GASKET, magneto cover bolt	2
29	09404-06401	CLAMP	1

FIG 5

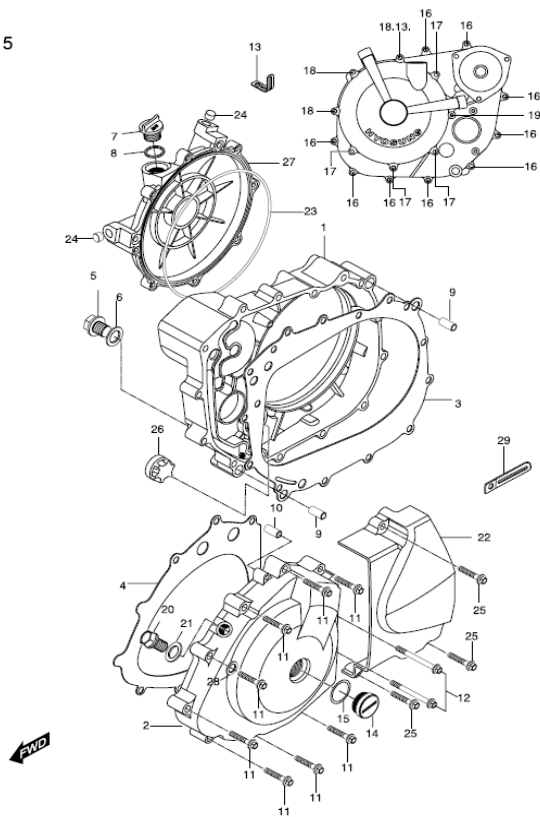


FIG 6. CRANK SHAFT

REF.	NAT01	PART NAME	Q'TY
1	12200HN9100HPA	CRANK SHAFT ASS'Y	1
2	12161HN9101	ROD, connecting	2
3	09263H37001	BEARING, crank pin	2
4	12211HN9100HPA	PIN COMP, crank	1
5	12221HN9102CSA	CRANK SHAFT, R	1
6	12261HN9102CSA	CRANK SHAFT, L	1
7	09262H35001	BEARING, crank shaft	2
8	02112-06126	SCREW, crank shaft oil seal retainer	1
9	21111HN9100	GEAR, primary drive	1
10	21112HN9100	GEAR, primary drive NO.2	1
11	12281HN9100	RETAINER, crank shaft oil seal	1
12	21114-35C00	SPRING, primary drive gear	3
13	08211-22422	WASHER, primary drive gear thrust	1
14	09140H18001	NUT, primary drive gear	1
15	09282-12001	SEAL, crank shaft oil RH	1
16	12111HN9101	PISTON	2
17	12151HN9101	PIN, piston	2
18	09381H20001	CIRCLIP, piston pin	4
19	12140HN9100	RINGSET, piston	2
20	12141HN9100	RING, piston 1st	2
21	12142HN9100	RING, piston 2nd	2
22	12144HN9100	RING, piston oil	2
23	12291HN9100	JET, crank shaft RH	1
24	09160H37001	WASHER, connrod thrust	3
25	17511HN9103	GEAR, water pump drive	1
26	09164H18001	WASHER, water pump drive gear lock	1

FIG 6

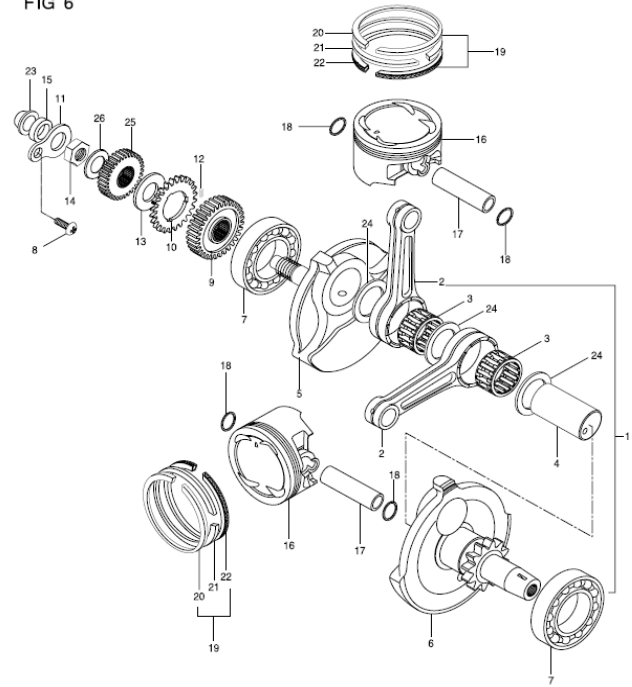


FIG 7. STARTER CLUTCH

REF. NO.	NAT01	PART NAME	Q'TY
1	12611HN9100	GEAR, starter idle	1
2	12612HN9100	PIN,starter idle gear	1
		~KM4MP51A961103549	
2~1	09206-13003	PIN,starter idle gear	1
		KM4MP51A961103550~(05.12~)	
3	12614HN9100	CLUTCH, starter one way	1
4	12620HN9102	GEAR COMP, starter clutch	1
5	07110-08168	BOLT, starter clutch	6
6	09304H27001	BUSH, starter clutch gear	1

FIG 7

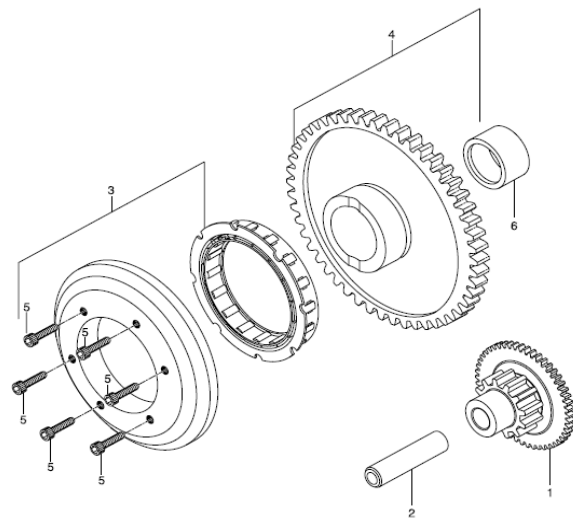


FIG 8. CAMSHAFT / VALVE

REF. NO.	NAT01	PART NAME	Q'TY
1	12710HN9100HPA	CAMSHAFT ASS'Y, front intake	1
2	12730HN9100HPA	CAMSHAFT ASS'Y, front exhaust	1
3	12720HN9100HPA	CAMSHAFT ASS'Y, rear intake	1
4	12740HN9100HPA	CAMSHAFT ASS'Y, rear exhaust	1
5	12922HN9100	SPRING, valve outer	8
6	09289H04002	SEAL, valve stem oil	8
7	12933HN9100	SEAT, valve spring	8
8	12911HN9101	VALVE, intake	4
9	12912HN9101	VALVE, exhaust	4
10	12921HN9101	SPRING, valve inner	8
11	12931HN9100	RETAINER, valve spring	8
12	12932HJ8200	COTTER, valve	16
13	12892-05C00170	SHIM, tappet (#120-220)	8
14	12881HN9100	TAPPET,	8

FIG 8

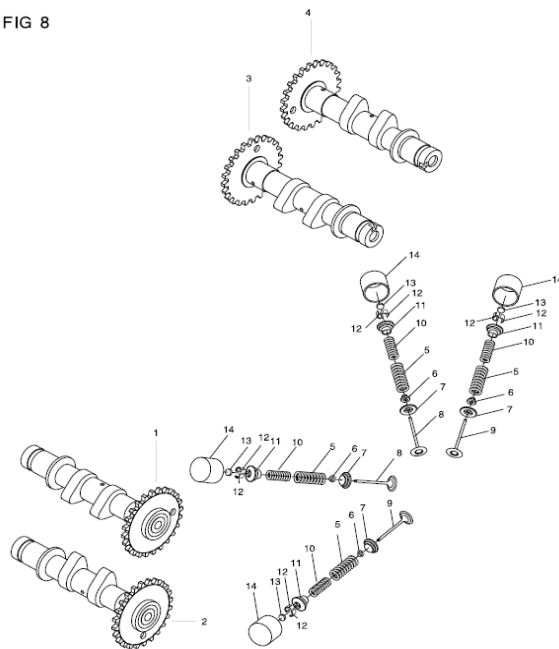


FIG 9. CAM CHAIN

REF. NO.	NAT01	PART NAME	Q`TY
1	12760HN9100	CHAIN COMP, camshaft drive	2
2	12771HN9100	GUIDE, camchain NO.1	2
3	12811HN9100	TENSIONER, camchain	2
		~E/G NO. GT650-113018(15.MAR.07)	
3	12811HN9101	TENSIONER, camchain	2
		E/G NO. GT650-113018(16.MAR.07)~	
4	08211-06181	WASHER, camchain tensioner bolt	2
5	12812H35C00	BOLT, camchain tensioner	1
5-1	12812HN9101	BOLT, camchain tensioner (magneto)	1
6	12837H31321	GASKET, tensioner adjuster	2
6-A	12837HP8900	GASKET, tensioner adjuster	2
		E/G NO GT650-111554~	
7	12830HN9102	ADJUSTER ASS`Y, tensioner	2
7-A	12830HN9120	ADJUSTER ASS`Y, tensioner	2
		E/G NO GT650-111554~	
8	07110-06208	BOLT, tensioner adjuster	4
9	12839-38200	PLUG, adjuster	2
10	12782HN9100	GUIDE, camchain No.2	2
11	07110-06108	BOLT, camchain guide No.2	6

FIG 9

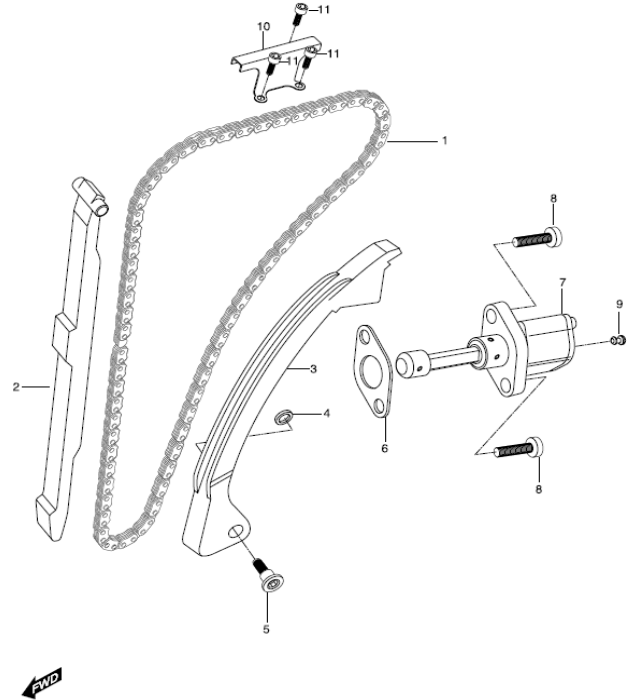


FIG 10. CARBURETOR ASSY

REF. NO.	NAT01	PART NAME	Q'TY
	GT650S	NA/PAT01	
0	13200HN9100	CARBURATOR ASS'Y	1
1	13301HN9100	MIXING BODY ASSY	1
2	13302HN9100	MIXING BODY ASSY	1
3	13310HN9100	DIAPHRAGM COVER	2
4	13311HN9100	COMPRESSION SPRING	2
5	13338HN9100	DIAPHRAGM	2
6	13551HN9100	PISTON VALVE(25KW)	2
	13551HN9150	(25KW)	
7	13312HN9100	HOLDER	2
8	13313HN9100	O-RING	2
9	13314HN9100	COMPRESSION SPRING	2
10	13316HN9100	WASHER	2
11	13315HG5100	E-RING	2
12	13305HN9100	RING	2
13	13333HN9100	JET NEEDLE(JN)	2
14	13323HN9100	O-RING	2
15	13339HN9100	FUNNER	2
16	13320HN9100	SCREW	4
17	13364HN9100	PILOT JET	2
18	13309HG5100	WASHER	2
19	13307HN9100	COMPRESSION SPRING	2
20	13308HN9100	ADJUSTER (PS)	2
22	13306HG5100	O-RING	2
23	13365HN9100	PILOT JET(PJ)	2
24	13327HN9100	JET HOLDER	2
25	13324HN9100	MAIN JET (MJ)	2
26	13375HN9100	NEEDLE VALVE ASSY(VS)	2
27	13378HN9100	PIN	2
29	13379HN9100	FLOAT ASS'Y	2
30	13377HG5100	SCREW	2
31	13354HG5100	SCREW	6
32	13376HN9100	SCREW(REST)	2
33	13326HN9100	SCREW(REST)	4
34	13332HN9100	COVER ASS,Y	2
35	13334HN9100	COMPRESSION SPRING	2
36	13335HN9100	DIAPHRAGM ASS'Y	2
38	13336HN9100	SCREW	4
40	13369HN9100	PLUNGER ASSY	2

FIG 10

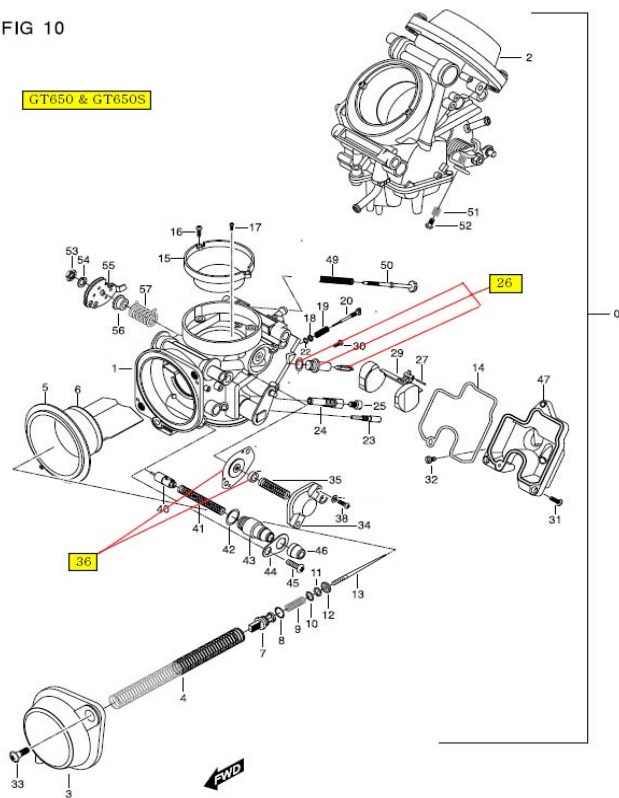


FIG 10. CARBURETOR ASSY

REF. NO.	NAT01	PART NAME	Q'TY
GT650S	NA/PAT01		
0	13200HN9100	CARBURATOR ASS'Y	1
41	13368HN9100	COMPRESSION SPRING	2
42	13370HN9100	O-RING	2
43	13367HN9100	GUIDE HOLDER	2
44	13337HN9100	PLATE	2
45	13374HN9100	SCREW	2
46	13366HN9100	CAP	2
47	13352HN9100	FLOAT BODY	2
49	13386HN9100	COMPRESSION SPRING	2
50	13351HN9100	ADJUSTER	2
51	13356HN9100	COMPRESSION SPRING	2
52	13373HG5100	SCREW	2
53	13342HG5100	NUT	2
54	13343HG5100	SPRING WASHER	2
55	13340HN9100	THROTTLE LEVER ASS'Y	2
56	13319HN9100	RING	2
57	13344HN9100	TORSING SPRING	2

FIG 10

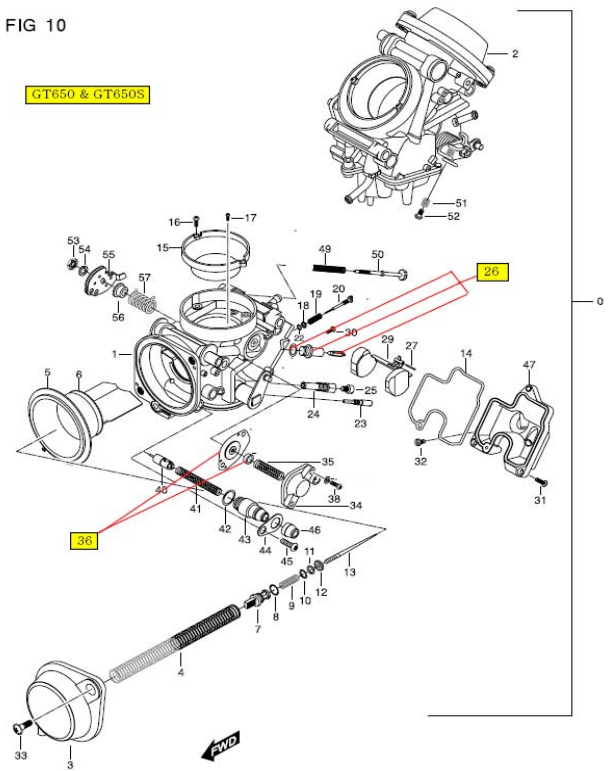


FIG 11. CARBURETOR FITTINGS

REF. NO.	NAT01	PART NAME	Q'TY
1	13325HN9100	HOSE	1
3	44199HM7900	HOSE FUEL	1
4	13330HN9100	HOSE	1
5	13360HG5100	NIPPLE	1
6	13383HN9100	CLIP	4
7	13329HN9100	HOSE	2
8	13385HN9100	CLIP	1
10	13328HN9100	PLATE	1
11	13341HN9100	PLATE	1
12	13384HN9100	SCREW	4
13	13353HN9100	BOLT	2
14	13348HN9100	LEVER ASS'Y	1
15	13347HN9100	PIN	2
16	13318HN9100	WASHER	2

FIG 11

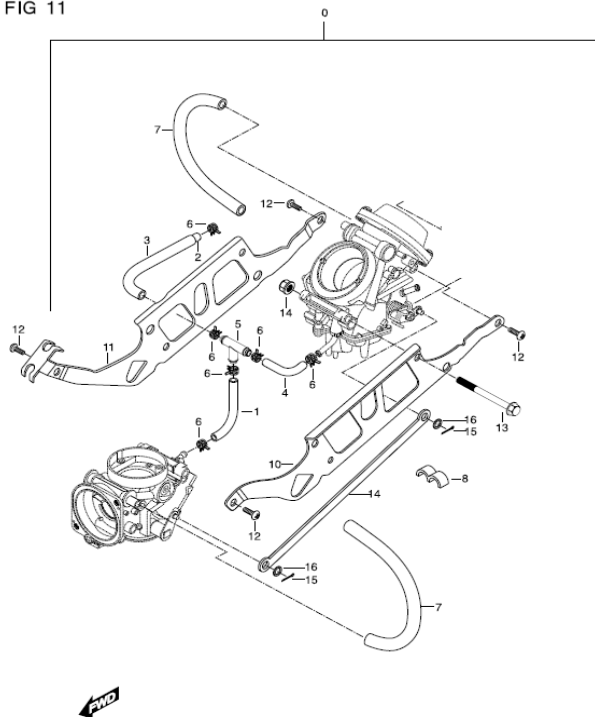


FIG 12. AIR CLEANER&CHAMBER

REF. NO.	NAT01	PART NAME	Q'TY
1	13700HN9103	CLEANER ASS'Y, air	
1-1	13700HN9104	CLEANER ASS'Y, air	1
1-2		CLEANER ASS'Y, air	
2	13720HN9102	CASE, air cleaner	1
3	13740HN9101	CAP COMP, air cleaner	1
4	13780HM8100	FILTER COMP, air cleaner	1
5	13871HN9100	TUBE, outlet front	1
6	09402-56208	CLAMP, outlet tube	2
7	13895HF4500	PLUG, oil drain	1
8	09401-14301	CLIP, oil drain plug	1
9	02142-05165	SCREW, air cleaner filter	4
10	16810HN9101	TANK ASS'Y, breather oil return	1
11	13881HN9100	TUBE, outlet	1
12	03241-05165	SCREW	2
13	09320-12029	CUSHION, oil return tank	1
14	16821HN9101	HOSE, breather oil return No.1	1
15	16831HN9100	HOSE, breather oil return No.2	1
16	09401H14401	CLAMP, breather oil return	4

FIG 12

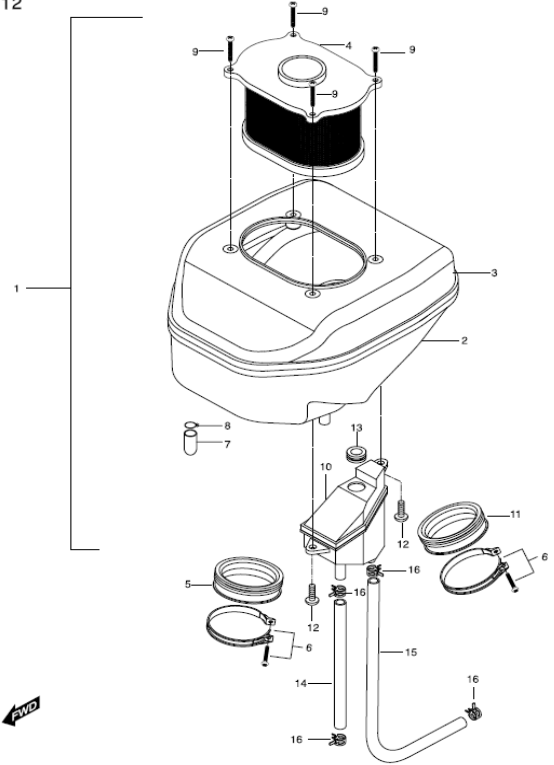


FIG 13. MUFFLER

REF. NO.	NAT01	PART NAME	Q'TY
0	14305HN9105PLH	MUFFLER, ASS'Y	1
1	14310HN9103	BODY COMP, muffler(Silver)	1
1-A	14310HN9105	BODY COMP, muffler(Black)	1
2	14160HN91020BF	PIPE COMP, exhaust front	1
3	14150HN91020BF	PIPE COMP, exhaust rear	1
4	14411HN91030BF	BRACKET, muffler support	1
4-1	14411HN91040BF	BRACKET, muffler support	1
5	14170HN91030BF	PIPE COMP, muffler joint	1
6	14770HN91010BF	CONNECTOR COMP, exhaust pipe	2
7	14314HN9101	GASKET, connector flange	1
8	14773HN9101	GASKET, connector exhaust pipe	2
9	01517-08358	BOLT, exhaust pipe connector comp	2
10	01421-08258	BOLT, exhaust pipe stud	4
11	09143H08001	NUT, exhaust pipe	4
12	07110-08408	BOLT, muffler support	1
13	09160-10102	WASHER, muffler support	3
14	08316-26108	NUT, muffler support	1
15	07120-08208	BOLT, connector flange	3
16	01517-08168	BOLT, muffler chamber bracket	1
17	14181HN9101	GASKET, exhaust	2
18	14186HN91000BF	COV ASS'Y,exhaust pipe	1
19	14776HN9100	CLAMP,out muff no1	1
20	14778HN9100	CLAMP,out muff no2	1
21	07110-06308	BOLT,exhaust pipe cov	2

FIG 13

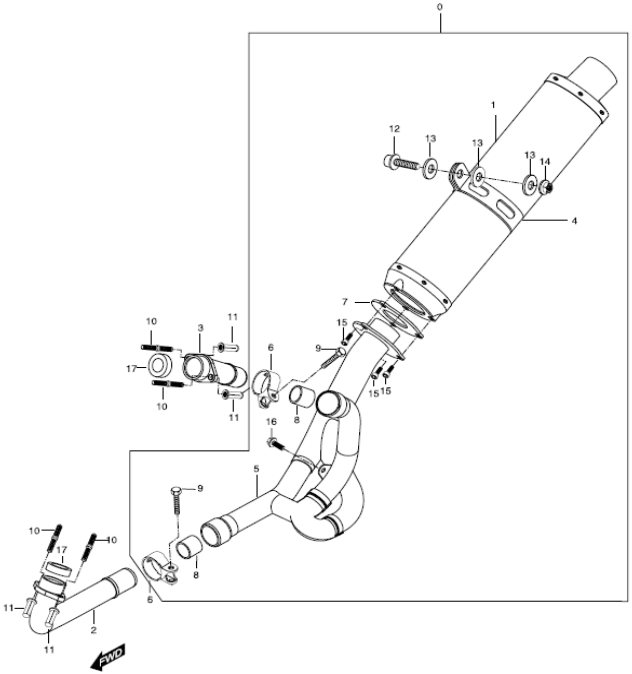


FIG 14. OIL PUMP

REF. NO.	NAT01	PART NAME	Q'TY
1	16400HN9101	PUMP ASS'Y, oil	1
2	16331HN9101	GEAR, oil pump driven	1
3	09261H04001	PIN, oil pump driven gear	1
4	08331-31109	CIRCLIP, oil pump driven gear	1
5	02112-06258	SCREW, oil pump	3
6	16520HN9100	STRAINER COMP, engine oil	1
7	02112-95126	SCREW, engine oil strainer	2
8	16523HN9100	CAP, oil strainer	1
9	09280H82001	O-RING, oil strainer cap	1
10	01547-06208	BOLT, oil strainer cap	3
11	09247-14002	PLUG, oil drain	1
11~1	09247-14019	PLUG, oil drain	1
KM4MP578061103554~(05.12~)			
12	09168H14003	GASKET, drain plug	1
13	16510HN9101HAS	FILTER COMP, engine oil	1
14	09280H16001	O-RING, oil filter	1
15	16512HN91010S1	CAP, oil filter	1
16	09280H69001	O-RING, oil filter cap	1
17	09440H18001	SPRING, oil filter cap	1
18	01421-06128	BOLT, oil filter cap stud	2
19	08313-11068	NUT, oil filter cap	3
20	01421-06758	BOLT, oil filter cap stud	1
21	08331-31389	CIRCLIP, oil pump drive gear	1
22	08221-10185	SHIM, oil pump driven gear	1
23	16321HN9103	GEAR, oil pump drive	1
24	09261H06001	PIN, oil pump drive gear	1

FIG 14

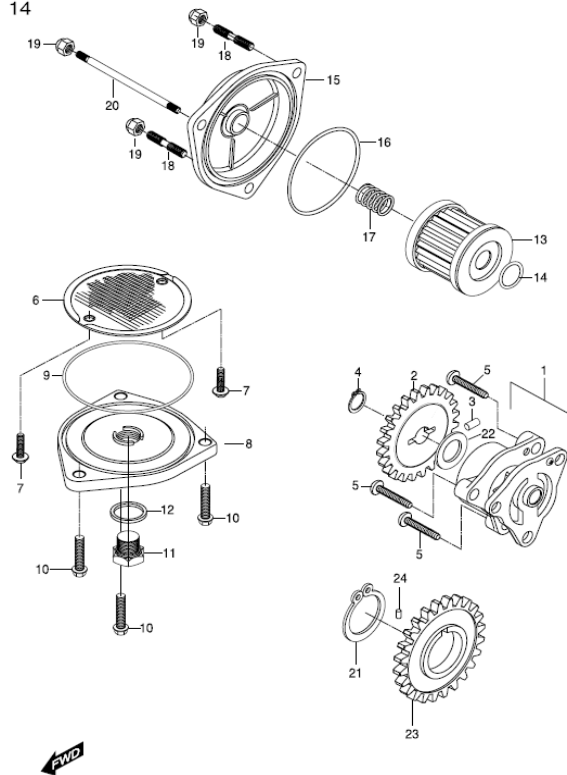


FIG 15. WATER PUMP

REF. NO.	NAT01	PART NAME	Q'TY
1	17400HN9101	PUMP ASS'Y, water	1
1-A	17400HN9102	Only for 17521HN9105(PL driven gear)	1
1-1	17410HN9100	CASE COMP,WATER PUMP	
1-2	17433HN9100	O-RING,WATER PUMP	
2	01547-06308	BOLT, water pump	2
3	17491HN9100	HOSE, water pump outlet	1
4	09401H26402	CLAMP, water pump hose	2
5	17521HN9102	GEAR, water pump driven	1
		~KM4MP51A771104504	
5-A	17521HN9105	PLASTIC GEAR, water pump driven	1
		KM4MP51A771104505~	
6	08221-10185	SHIM, water pump driven gear	1
7	08331-31109	CIRCLIP, water pump driven gear	1
8	09261H04001	PIN, water pump driven gear	1

FIG 15

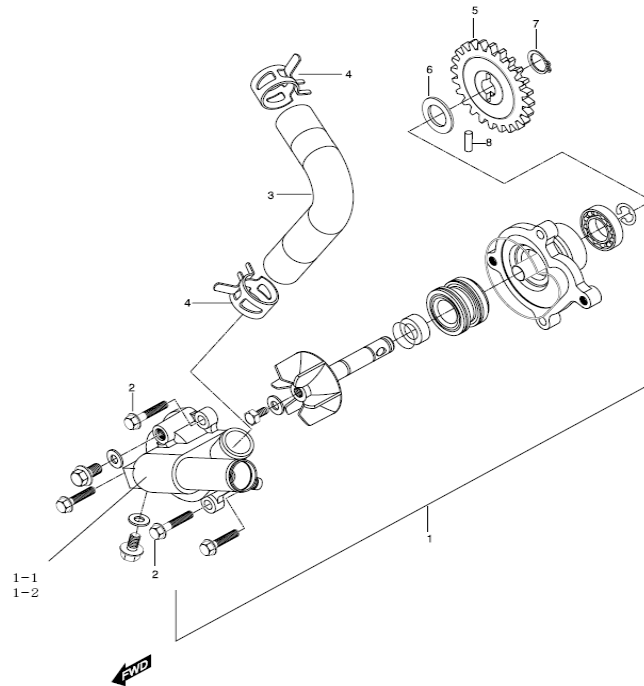


FIG 16. RADIATOR HOSE

REF. NO.	NAT01	PART NAME	Q'TY
0	17610HN9100HPA	THERMOSTAT COMP	1
1	17621SN9102HPA	CONNECTOR COMP, thermostat inlet	1
2	17631HN91000S1	CAP, thermostat connector	1
3	17741HN9101	HOSE, radiator inlet	1
4	17751HN9101	HOSE, radiator outlet	1
5	09401H26402	CLAMP, radiator inlet hose radiator side	3
6	09401H31402	CLAMP, radiator inlet hose thermostat side	1
7	01547-06208	BOLT, thermostat connector	2
8	17641HN9100	HOSE, thermostat bypass	1
9	09401H13401	CLAMP, thermostat bypass hose	2
10	17661HN9100	HOSE, connector inlet	2
11	09401H24402	CLAMP, connector inlet hose	4
12	17610HN9100	THERMOSTAT COMP	1
13	17650HN9100	GAUGE UNIT, water temperature	1
14	17981HN9100	HOSE, reserver tank inlet	1
15	09401H11402	CLAMP, reserver tank ~KM4MP51A251103095	2
15-1	09401H11403	CLAMP, reserver tank KM4MP51A251103095~(04.12~)	2
16	17911HN9104	TANK COMP, reserver	1
17	09136-06017	SCREW, reserver tank	2
18	17982HN9100	HOSE, reserver tank overflow	1
19	17921HN9100	CAP, reserver tank	1
20	17860HN9100	SWITCH ASS'Y, thermo	1
21	17912HN9100	CUSHION, reserver tank	1
22	09401-09101	CAP, reserver tank overflow	1
23	17622HN9101	UNION,thermost connector	1
23-1	17622HN9102	UNION,thermost connector KM4MP578471103767~	1

FIG 16

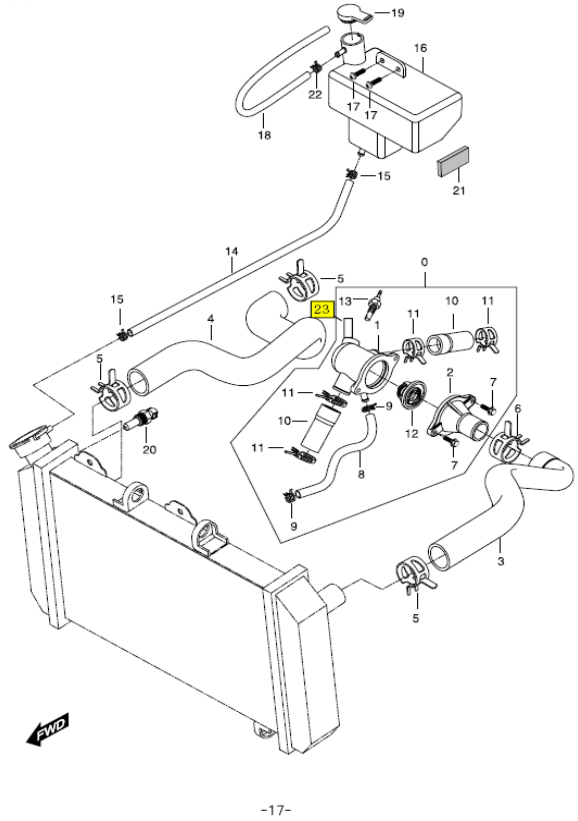


FIG 17. 2ND AIR

REF. NO. NAT01

PART NAME

1	18500HN9100	VALVE ASS'Y, 2ND air
2	18631HN9101	HOSE, 2ND air pipe
3	01547-06208	BOLT, 2ND air valve
4	09401H09401	CLAMP, carburetor vacuum hose
5	09401H13401	CLAMP, 2ND air pipe
6	18615HN9101	GASKET, 2ND air pipe
7	01107-06168	BOLT, 2ND air pipe
8	18610HN9101	PIPE COMP, 2ND air front
9	18620HN9101	PIPE COMP, 2ND air rear
10	18691HN9100	HOSE, carburetor vacuum front
11	18651HN9101	HOSE, 2ND air cleaner RH
12	18661HN9100	HOSE, 2ND air cleaner LH
13	18681HN9100	HOSE, 2ND vacuum LH
14	18671HN9100	HOSE, 2ND vacuum RH
15	09401H08401	CLAMP, 2ND vacuum hose
16	09367H05001	NIPPLE, fuel pump joint
17	09401H14401	CLAMP, 2ND air cleaner hose

Q`

FIG 17

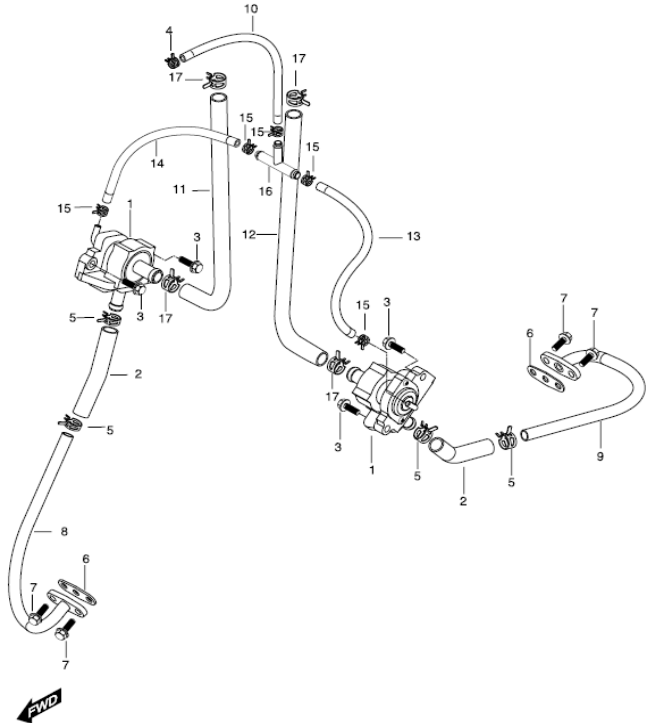


FIG 18. CLUTCH ASSY

REF. NO.	NAT01	PART NAME	Q'TY
1	21210HN9101HPA	GEAR COMP, primary driven	1
2	09167H20001	WASHER, clutch sleeve hub thrust	1
3	21411HN9101	HUB, clutch sleeve ~KM4MP51A841100117	1
3~1	21411HN9102	HUB, clutch sleeve KM4MP51A841100118~(04.06~)	1
4	09160H20003	WASHER, primary driven gear thrust KM4MP578871104016~	1
5	09140H20001	NUT, clutch sleeve hub	1
6	23114HN9100	ROD, clutch push	1
6-1	23115HN9100	ROD, CLUTCH PUSH NO.2	1
7	23110HN9102	ROD COMP, clutch push M	1
8	09136-06017	STOPPER, clutch release camshaft oil seal	1
9	21441HN9100	PLATE, clutch drive	6
10	21451HN9100	PLATE, clutch driven	6
11	23121-38201	PIECE, clutch push	1
12	09134-06010	SCREW, clutch release adjuster	1
13	08310-22068	NUT, clutch release adjust	1
14	09263H15001	BEARING, clutch release thrust	1
15	09160-15015	WASHER, clutch release thrust	1
16	21462HN9101	DISK, clutch pressure	1
17	09440H20003	SPRING, clutch	6
18	21471HN9102	RETAINER, clutch spring	6
19	09100H06009	BOLT, clutch spring	6
20	23271HN9100	ARM, clutch release	1
21	09282H12002	OIL SEAL, clutch release camshaft	1
22	08211-12281	THRUST WASHER, clutch release cam sha	1
23	23122HN9100	SHAFT, clutch release cam	1
24	01107-06208	BOLT, clutch release arm	1
25	21442HN9100	PLATE, clutch drive No.2	1
26	21443HN9100	WASHER, clutch wave	1
27	21444HN9101	SEAT, clutch wave washer	1
28	21251HN9102	SPACER, primary driven gear	1

FIG 18

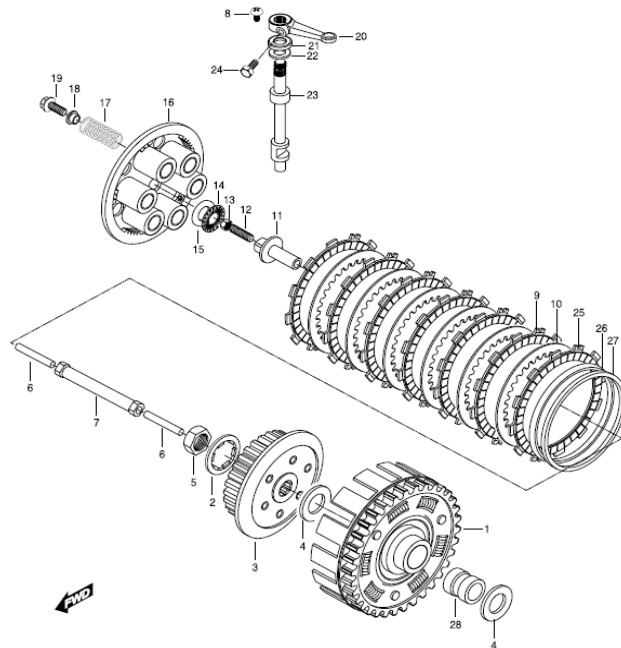


FIG 19. TRANSMISSION

REF. NO.	NAT01	PART NAME	Q'TY
	24200HN9100HPA	MISSION GEAR SET	
	24121HN9104HPA	SHAFT, counter ASS'Y	
	24131HN9100HPA	SHAFT, drive ASS'Y	
1	24130HN9100HPA	SHAFT COMP, drive ~ KM4MP51A961103549	1
2	24121HN9103	SHAFT COMP, counter	1
2~1	24121HN9104	SHAFT COMP, counter KM4MP51A961103550~(05.12~)	1
3	24361HN9101	GEAR, 6th driven	1
4	24221HN9102	GEAR, 2nd drive	1
5	24231HN9101	GEAR, 3rd & 4th drive	1
6	24251HN9101	GEAR, 5th drive	1
7	09380H25001	CIRCLIP, 5th drive gear	1
8	08113-63040	BEARING, counter shaft R(#6304)	1
9	08123-63050	BEARING, counter shaft L(#6305)	1
10	24741HN9100	RETAINER, counter shaft bearing	1
11	02112-06128	SCREW, counter shaft bearing retainer	1
12	09159H20001	NUT, engine sprocket	1
13	24311HN9100	GEAR, 1st driven	1
14	09181H20001	SHIM, 1st driven gear	1
15	24312HN9100	BUSH, 1st driven gear	1
16	24321HN9101	GEAR, 2nd driven	1
17	09380H25001	CIRCLIP, 4th driven gear	1
18	24331HN9101	GEAR, 3rd driven	1
19	09167H25001	THRUST WASHER, 4th driven gear	1
20	24341HN9100	GEAR, 4th driven	1
21	24351HN9101	GEAR, 5th driven	1
22	09167H25002	WASHER, 3rd & 4th driven gear thrust	1
23	08113-62030	BEARING, drive shaft R	1
24	08123-63050	BEARING, drive shaft L	1
25	09380H25001	CIRCLIP, 3rd driven gear	1
26	09167H25001	THRUST WASHER, 3rd driven gear	1
27	09282H36002	OIL SEAL, drive shaft	1
28	24751HN9100	RETAINER, drive shaft oil seal	1
29	01107-06106	BOLT, drive shaft oil seal retainer	2

FIG 19

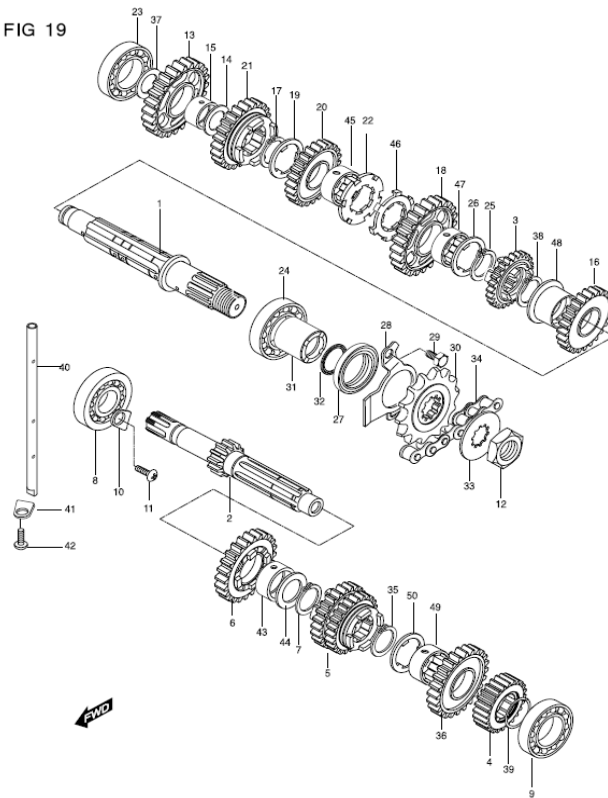


FIG 19. TRANSMISSION

REF. NO.	NAT01	PART NAME	Q'TY
30	27510HN9100	SPROCKET COMP, engine 15T(#525)	1
31	27531HN9100	SPACER, engine sprocket	1
32	09280H24001	O-RING, engine sprocket	1
33	09167H25004	LOCK WASHER, engine sprocket	1
34	27600HN9100	CHAIN ASS'Y, drive 108L(#525)	1
35	09380H25001	CILCLIP, 6th driven gear	1
36	24261HN9101	GEAR, 6th drive	1
37	09181H17001	SHIM, drive shaft	1
38	09380H25001	CILCLIP, 2nd drive gear	1
39	09380H22001	CILCLIP, 2nd drive gear	1
40	24761HN9102	PIPE, transmission oil	1
41	24741HN9100	RETAINER, transmission oil pipe	1
42	02112-06128	SCREW, transmission oil pipe retainer	1
43	24252HN9100	BUSH, 5th drive gear	1
44	09181H25001	SHIM, 5th drive gear	1
45	24332HN9100	BUSH, 4th drive gear	1
46	09167H25003	WASHER, thrust washer lock	1
47	24332HN9100	BUSH, 3rd driven gear	1
48	24322HN9100	BUSH, 2nd driven gear	1
49	24262HN9100	BUSH, 6th drive gear	1
50	09167H25001	WASHER, 6th drive gear	1
51	24125-38201	BUSH	2

FIG 19

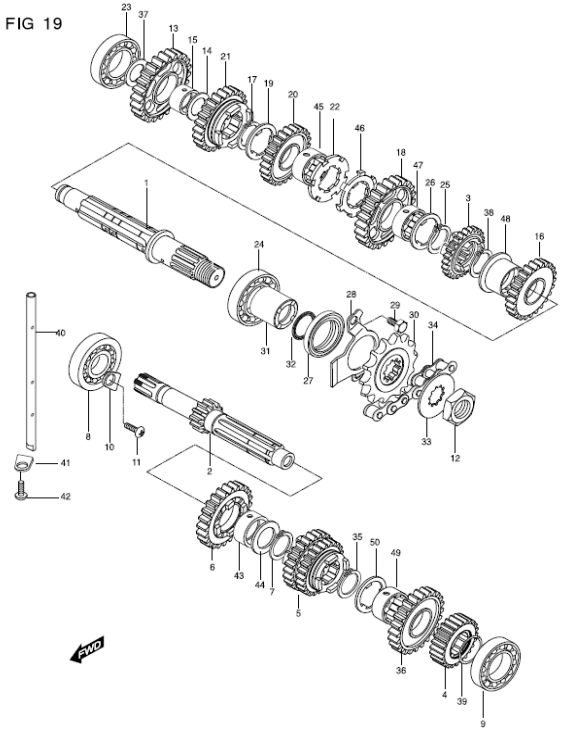


FIG 20. GEAR SHIFTING

REF. NO.	NAT01	PART NAME	Q'TY
1	25231HN9100	FORK, gear shift No.3	1
2	25211HN9100	FORK, gear shift No.1	1
3	25411HN9100	SHAFT, gear shift fork No.1	1
4	25421HN9100	SHAFT, gear shift fork No.2	1
5	25310HN9102	CAM COMP, gear shift	1
6	25221HN9100	FORK, gear shift No.2	1
7	25380HN9104	PLATE COMP, gear shift cam	1
8	04221-04089	PIN, gear shift cam plate	2
9	25321HN9100	BOLT, gear shift cam plate	1
10	24741HN9100	RETAINER, gear shift cam bearing R	2
11	09262H25002	BEARING, gear shift cam R	2
12	09261-04002	PIN, gear shift cam plate	6
13	02122-06128	SCREW, gear shift cam bearing retainer	2
14	09263H25001	BEARING, gear shift cam L	1
15	09440-04010	SPRING, gear shift switch contact	1
16	09209-05011	CONTACT, gear shift switch	1
17	09440H17001	SPRING, gear shift cam drive plate	1
18	09181H14001	SHIM, gear shift shaft thrust	2
19	09280-26003	O-RING, gear shift switch	1
20	37720HN9101	SWITCH ASS'Y, gear shift	1
21	02112-95208	SCREW, gear shift switch	2
22	09140-06011	NUT, gear shift link rod L (M6)	2
23	09448H17002	SPRING, gear shift cam stopper	1
24	09111-06019	BOLT, gear shift cam stopper	1
25	25350HN9100	STOPPER COMP, gear shift cam	1
26	08211-06121	WASHER, gear shift shaft thrust	1
27	25521HN9100	PLATE, gear shift cam drive	1
28	25510HN9101	SHAFT COMP, gear shift	1
29	09444H20011	SPRING, gear shift shaft return	1
30	25525HN9150	ROD, gear shift link(L=185)	1
	25525HP9250	ROD, gear shift link(L=258)	1
31	25671-01000	STOPPER, gear shift arm	1
32	09160H14003	WASHER, gear shift shaft thrust	1
33	08331-31149	CIRCLIP, gear shift shaft	3
34	09283H14002	SEAL, gear shift shaft oil	1
35	25520-32C00	ARM COMP, gear shift link	1
36	01107-06208	BOLT, gear shift link arm (M6X10)	1
37	08310-11068	NUT, gear shift link rod R (M6)	1

FIG 20

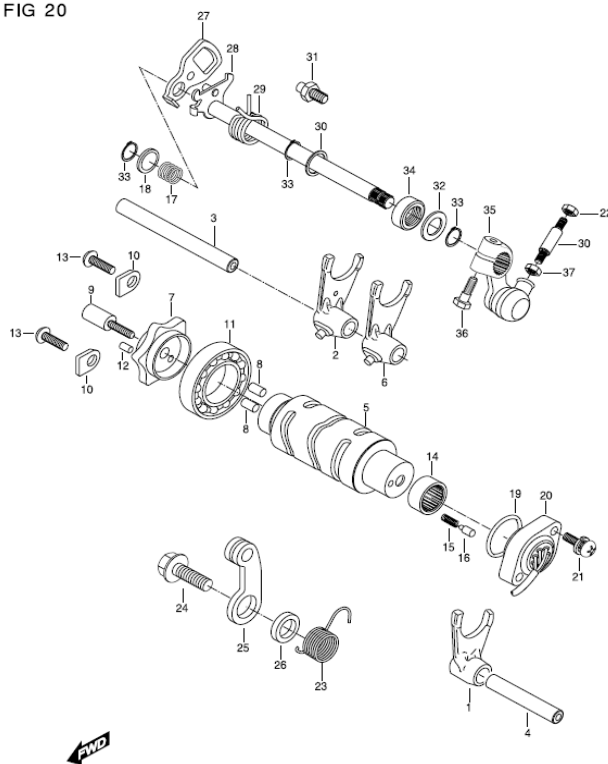


FIG 21. STARTING MOTOR

REF. NO.	NAT01	PART NAME	Q`TY
1	31100HN9100	MOTOR ASS`Y, starting	1
2	08316-16068	NUT, starter motor terminal	1
3	08319-21068	NUT, start motor bracket	2
4	01547-06308	BOLT, start motor bracket	2

FIG 21

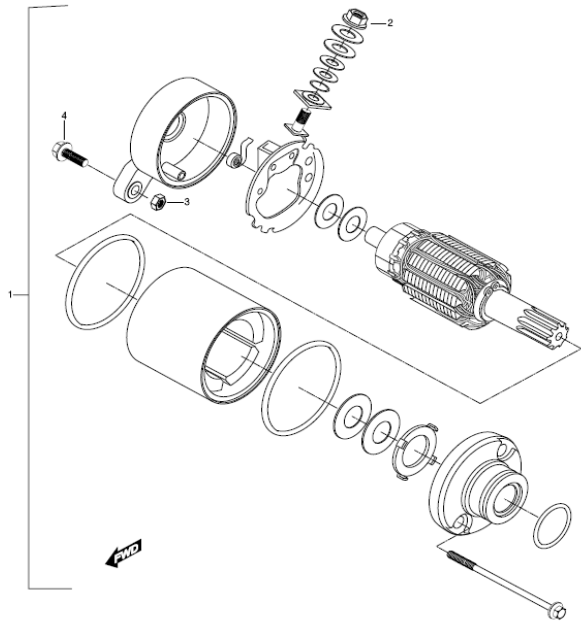


FIG 22. MAGNETO ASSY

FIG 22

Q`

REF. NO.	NAT01	PART NAME
1	32100HN9130	MAGNETO ASS'Y
2	32101HN9101	STATOR ASS'Y
3	32102HN9130	ROTOR, fly wheel For 32100HN9130
4	02142-05128	SCREW, pick-up coil(M5X12)
5	07110-06308	SCREW, magneto stator(M5X30)
6	09103H12001	BOLT, magneto
7	09420H04001	KEY, magneto
8	09160H12003	WASHER, magneto

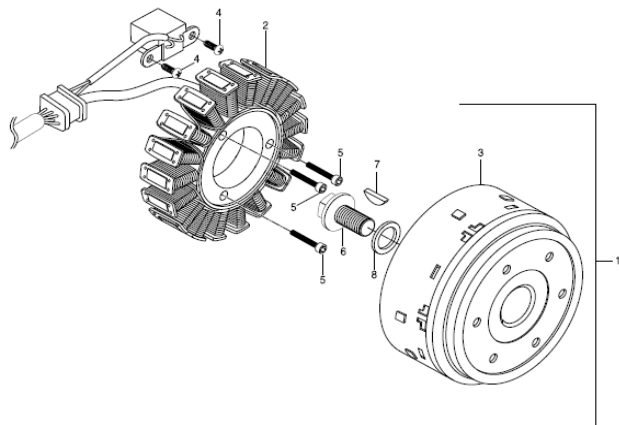


FIG 23. BATTERY

FIG 23

REF. NO.	NAT01	PART NAME	QTY
1	33610HM8100	BATTERY ASS'Y(12V 12Ah. STX14-BS)	1
2	33860HN9100	LEAD WIRE, battery minus(-)	1

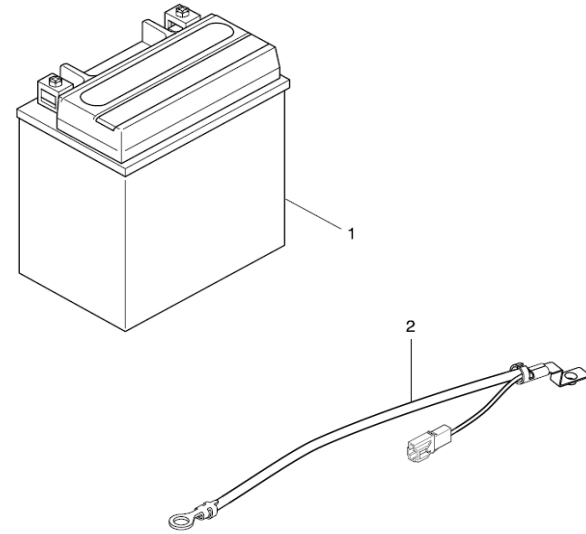


FIG 24. ELECTRICAL

REF. NO.	NAT01	PART NAME	Q'TY
1	31800HG5100	RELAY ASS'Y, starting motor	1
2	08316-26066	NUT, starter motor relay terminal	2
3	33840HM8101	LEAD WIRE, battery plus	1
4	33850HG5800	LEAD WIRE, starter motor	1
5	32800HN9101	RECTIFIER REGULATOR ASS'Y	1
6	09128-06005	BOLT, rectifier	2
7	33410HN9100	COIL ASS'Y, ignition front	1
8	33430HN9100	COIL ASS'Y, ignition rear	1
9	09128-06035	BOLT, ignition coil	4
10	33500HN9100	CAP ASS'Y spark plug	2
11	33541-23E01	SEAL, spark plug	2
12	33510-05C01	CAP, spark plug	2
13	33542-98000	SEAL, high tension cord	2
14	33545HN9100	BUSH, spark plug cap	2
15	32900HN9110	IGNITOR ASS'Y	1
		~KM4MP51B15110407	
15-1	32900HN9111	IGNITOR ASS'Y	1
		KM4MP51C751100307~(05.03~)	
16	09106-06030	BOLT, ignitor	2
17	38740HM5401	RELAY ASS'Y.	3
18	01517-06166	BOLT, relay	3
19	36740-35C00	BOX ASS'Y, fuse (15A)	1
20	36740HN9100	BOX ASS'Y, fuse (30A)	1
21	32910HN9101	PULSE CONTROL UNIT	1
22	08322-21065	WASHER, ignitor	2

FIG 24

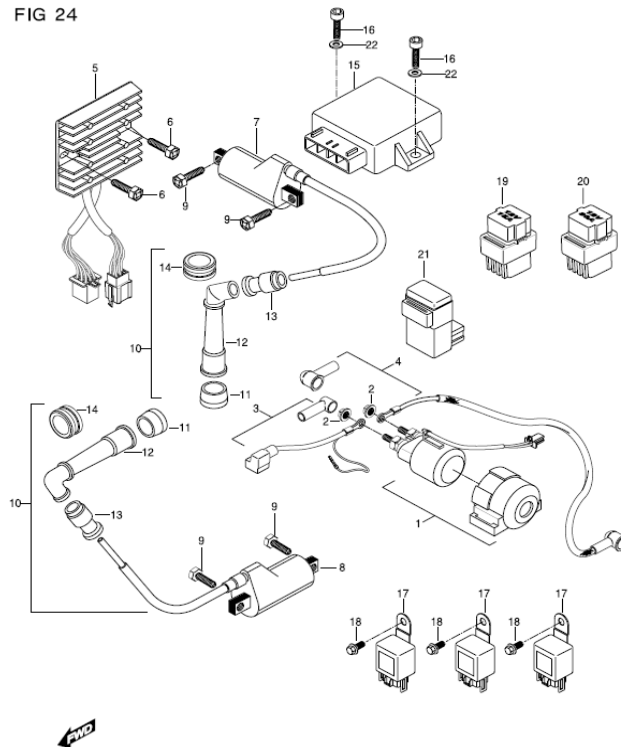


FIG 25. SPEEDOMETER ASSY

REF. NO.	NAT01	PART NAME	Q'TY
1	34100HN9150	SPEEDOMETER ASS'Y	1
		DIGITAL SPEED METER ASS'Y	1
2	34950HP9200	BRACKET	1
3	34105HM8100	LOWER CASE, speedometer	1
4	34106HM8100	LOWER CASE, tachometer	1
5	34110HN9150	SPEEDOMETER	1
6	34120HN9150	TACHOMETER	1
7	34910H93B00	CABLE ASS'Y, speedometer	1
8	34171HN9100	WIRING ASS'Y, speedometer	1
9	09116-06010	BOLT, speedometer bracket	2
10	09471-12077	BULB (12V ,1.7W, T10)	2
11	09471-12072	BULB (12V, 1.7W, T6.5)	5
12	39110HM8100	INDICATOR LAMP, upper	1
13	34136HN9100	Temp gauge	1
14	01517-06208	BOLT, speedometer & brace	2
15	09180-06011	SPACER, speedometer bkt cushion	2
16	94433H07C00	CUSHION, speedometer bracket	2
17	09471-12072	BULB (12V, 1.7W, T6.5)	1
18	59410HN9101	GUIDE COMP, brake hose & s/w lead wire R	1
19	59420HN9101	GUIDE COMP, cable & s/w lead wire L	1
		SENSOR ASS'Y, speed meter	1
		CLAMP, speed sensor	3
		CLAMP, speed sensor	1

FIG 25

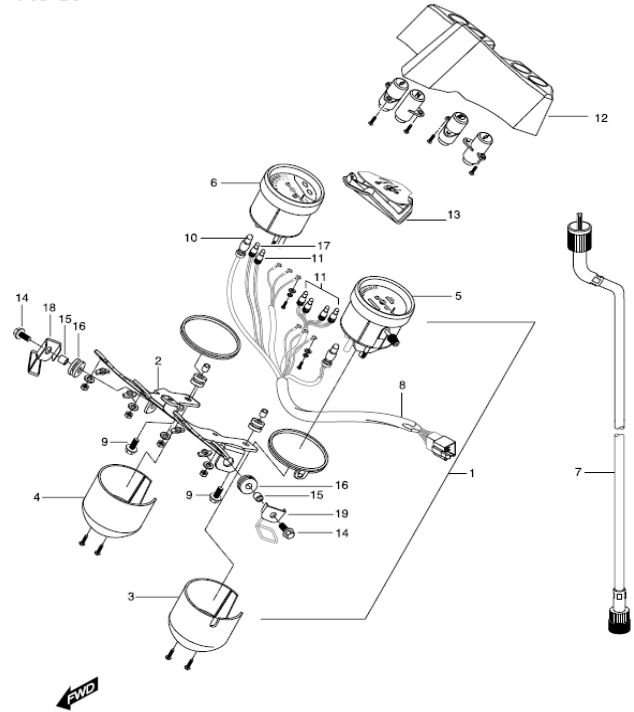
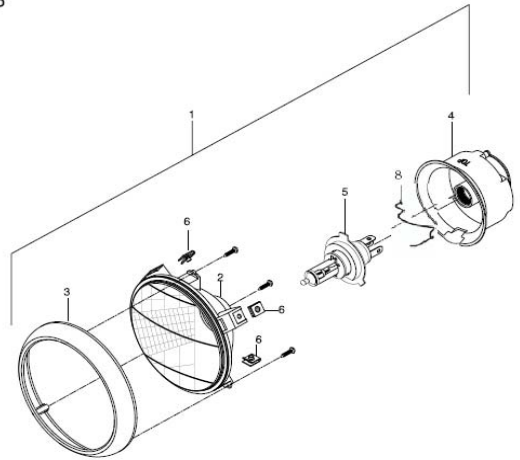


FIG 26. HEAD LAMP

REF. NO.	NAT01	PART NAME	Q`TY
1	35100HM8162	HEAD LAMP ASS`Y	1
2	35120HM8160	REFLECTOR+LENS, headlamp	1
3	35111HM8100	RIM, headlamp	1
4	35173HM8100	DUST COVER	1
5	09471H12103	BULB, head lamp(12v 60/55w)	1
6	09148-05039	NUT, head lamp(M5)	3
7	09471-12110	BULB,position lamp	1
8	35175H93B00	SPRING, bulb socket	1

FIG 26



FWD

FIG 27. FRONT TURN SIGNAL LAMP

REF. NO.	NAT01	PART NAME	Q'TY
1	35601HM8151	LAMP ASS'Y, FT turnsignal R	1
2	35602HM8151	LAMP ASS'Y, FT turnsignal L	1
3	09471-12142	BULB, FT turnsignal lamp(12V,R10W)	2
4	09160-06019	WASHER, FT turnsignal lamp	4
5	08316-26066	NUT, FT turnsignal lamp	4
6	35603HM8151	LAMP ASS'Y, RR turnsignal R	1
7	35604HM8151	LAMP ASS'Y, RR turnsignal L	1
8	09471-12142	BULB, RR turnsignal lamp(12V, R10W)	2
9	38610HL7300	RELAY ASS'Y, turn signal	1
10	01517-06166	BOLT, turnsignal, relay	1
11	35612HM8100	LENS, FT turnsignal R	2
12	35632HM8100	LENS, FT turnsignal L	2

FIG 27

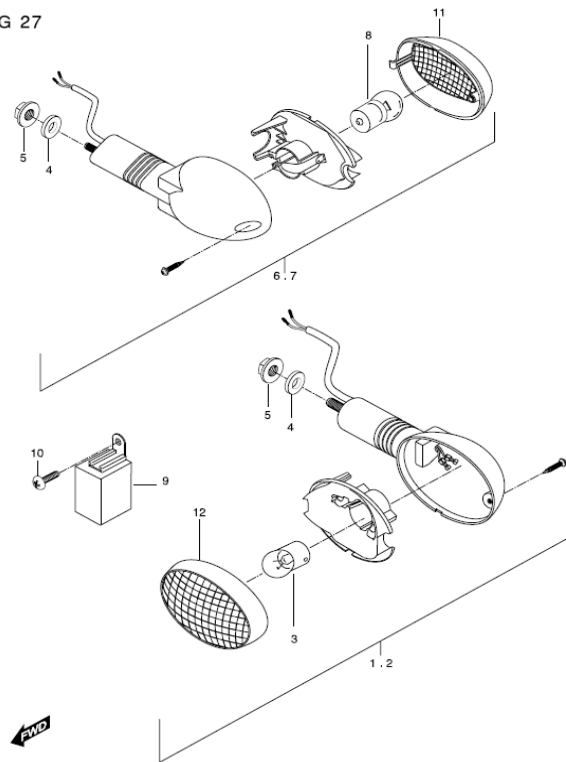


FIG 28. WIRING HARNESS

REF. NO.	NAT01	PART NAME	Q`TY
1	36610HN9151	HARNESS, wiring	1
2	38500HM8101	HORN ASS'Y	1
3	37000HM8130	LOCK ASS'Y, steering	1
3-1	37110HG5150	BLANK KEY	1
4	01517-06206	BOLT, steering lock	1
4-1	09139H06016	SCREW, steer lock	1
5	37740HN9100	SWITCH ASS'Y, rear stop	1
6	09407-14403	CLAMP, wiring harness	4
7	09106H06150	SCREW, horn	1
8	09407-22402	CLAMP, wiring harness	1
9	09443H06006	SPRING	1
10			
11	09407-22402	CLAMP, wiring harness	2

FIG 28

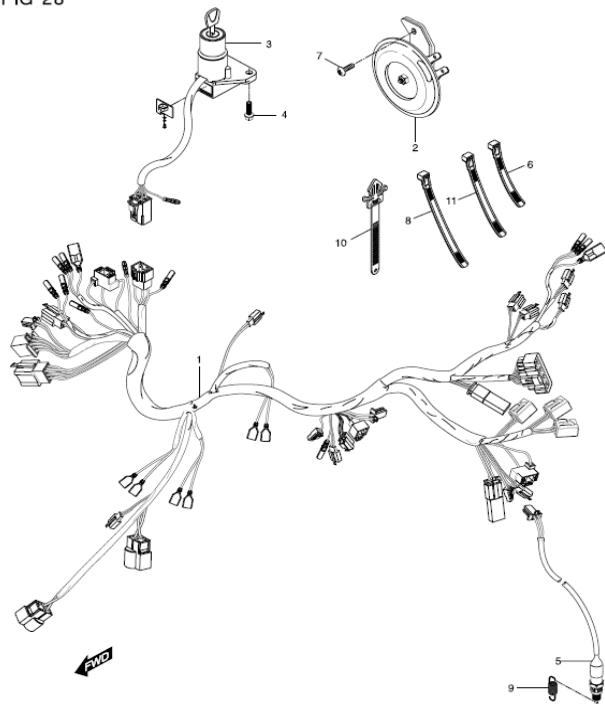


FIG 29. REAR COMBINATION

REF. NO.	NAT01	PART NAME	Q`TY
1	35710HM8152	LAMP ASS`Y, tail & stop	1
2	09471-12047	BULB, tail & stop(12V P21/5W)	1
3	03241-05166	SCREW, tail & stop	3
4	09160-05017	WASHER, tail & stop	3
5	09404-06401	CLAMP, tail & stop	2

FIG 29

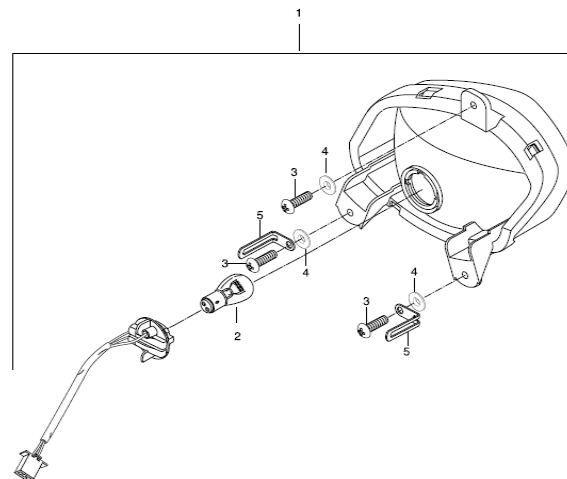


FIG 30. FRAME

REF. NO.	NAT01	PART NAME	Q'TY
1	41100HN910103P	FRAME COMP KM4MP51A561103593~(05.12~)	1
1-1	41100HN9111PAM	FRAME COMP(Black) KM4MP51AX71104451~(07.01~)	
2	41165HN9101	SHAFT, engine mounting link	1
3	09141H26001	LOCK NUT, engine mounting link & shaft	1
4	41191HN9101	SHAFT, engine mounting RR lower	2
5	09141H20001	LOCK NUT, engine mounting RR lower	1
6	61211HN9101	SHAFT, RR swingingarm pivot	1
7	41181HN9101	SHAFT, engine mounting RR upper	1
8	07110-08258	BOLT, frame & engine mounting adjuster	1
9	41185HN9100	SPACER, frame & engine rear upper(L=49)	1
10	08319-31128	NUT, engine mounting link & shaft	1
11	08319-31108	NUT, frame & engine RR upper	1
12	09141H26001	NUT, RR swingingarm pivot	1
13	41772HN9101	BRKLT, radiator upper	1
14	01517-06125	SCREW, radiator upper brkt	1
15	08319-31108	NUT, frame & engine RR lower	2
16	15100HG5100	PUMP ASS'Y, fuel	1
17	41351HN9100	BRKLT, fuel pump	1
18	02142-06126	SCREW, fuel pump	1
19	01517-06125	BOLT, fuel pump brkt	2
20	44199HL7302	HOSE, fuel pump & carburetor vacuum(L=3	1
21	09401-10401	CLIP, fuel pump vacuum	1
22	09401-08401	CLIP, carburetor vacuum	1
23	41495HN9101	GUIDE CLAMP, harness	1
24	01514-06106	BOLT, harness guide clamp	1
25	68160HN9100	LABEL, relay	1

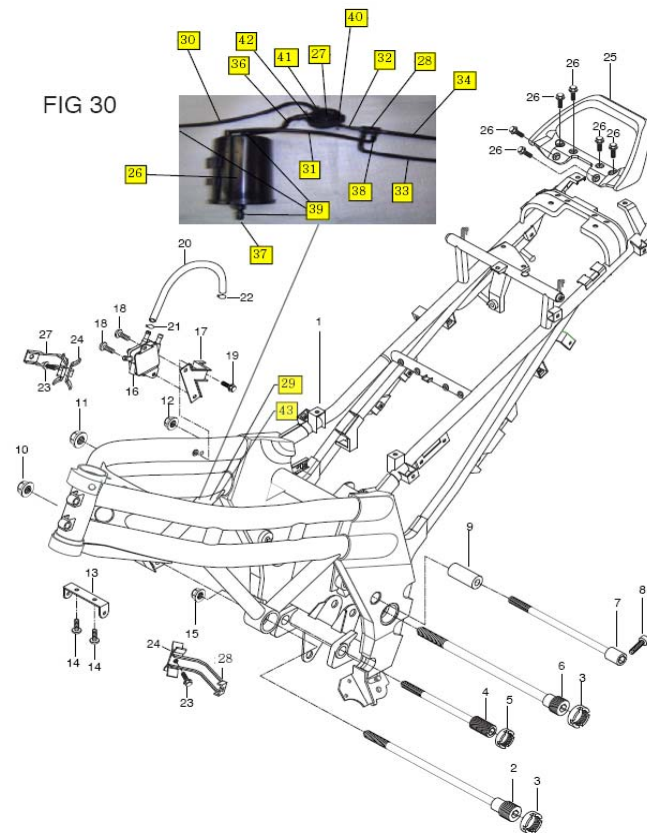


FIG 31. PROP STAND

REF. NO.	NAT01	PART NAME	Q`TY
1	42310HN910003P	STAND COMP, prop	1
		KM4MP51A961103550~(05.12~)	1
1~1	42310HN9150120	STAND COMP, prop black	
		KM4MP51AX71104451~(07.01~)	
2	09100-10031	BOLT, prop stand	1
3	08310-22106	NUT, prop stand	1
4	09443-15047	SPRING, prop stand outter	1
5	09443-06001	SPRING, prop stand inner	1
6	37840HN9102	SWITCH ASS'Y, side stand	1
7	01517-06205	BOLT, side stand	2

FIG 31

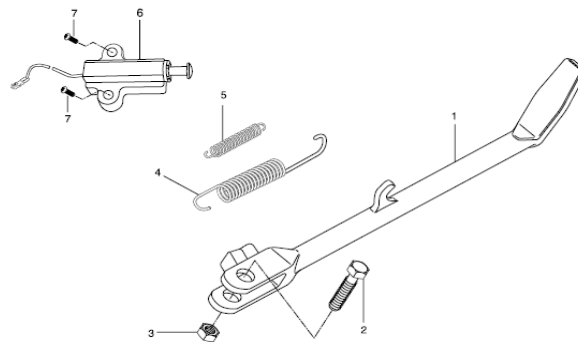


FIG 32. REAR BRAKE

REF. NO.	NAT01	PART NAME	Q'TY
1	43110HM810003P	PEDAL COMP, brake	1
2	43530HM810603P	BRACKET COMP, front footrest R	1
3	09448H30002	SPRING, brake pedal return	1
4	43560HM8100	FOOTREST ASS'Y, front R	1
5	43561HM8100	FOOTREST, bar front R	1
6	43530H30A40	RUBBER COMP, front footrest R	1
7	02112-05126	SCREW, front footrest	2
8	69600HM8100	CYLINDER ASS'Y rear master	1
9	69740HM8100	TANK ASS'Y reserver	1
10	69700HM8101	HOSE ASS'Y reserver	1
11	09400H13001	CLMAP, reserver tank hose	2
12	01517-06168	BOLT, reserver tank	1
14	43533H30A40	BOLT, front footrest bar	1
15	09180H08008	SPACER, front footrest	1
16	43579HM8101	PIN, front footrest	1
17	09448H14007	SPRING, front footrest	1
18	08332-11079	E-RING, front footrest	1
19	07120-08258	BOLT, front footrest bracket	2
20	07120-08258	BOLT, master cylinder	2
21	08322-21068	WASHER, rear master cylinder	1
22	04111-20208	COTTER PIN, rear master cylinder	1
23	09160H15002	WASHER, brake pedal	1
24	08331-31159	CIRCLIP, brake pedal	1
25	09200H06040	PIN, rear master cylinder	1
26	69800HN9100	TANK SET, reserver	
27	69609HN9100	CYLINDER SET, rear master	1

FIG 32

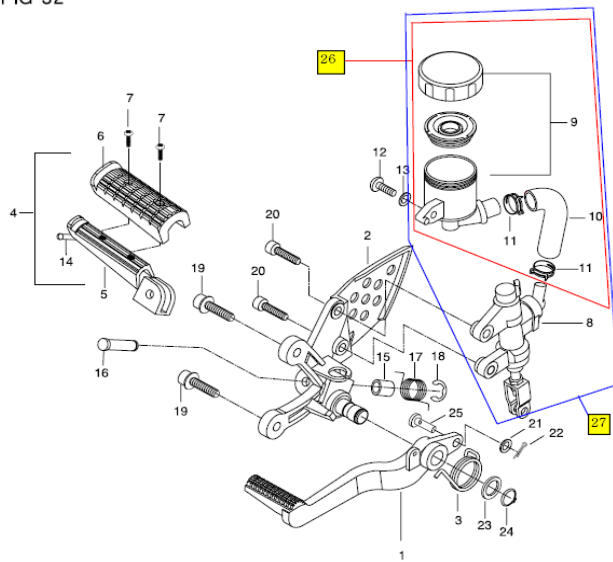


FIG 33. FOOTREST

REF. NO.	NAT01	PART NAME	Q'TY
1	43570HM8100	FOOTREST ASS'Y, front L	1
2	43571HM8100	FOOTREST BAR, front L	1
3	02112-05126	SCREW, front footrest	2
4	43533H30A40	BOLT, front footrest bar	1
5	09180H08008	SPACER, front footrest	1
6	43579HM8101	PIN, front footrest bar	1
7	09448H14007	SPRING, front footrest	1
8	08332-11079	E-RING, front footrest	1
9	43540HN910103P	BRACKET COMP, front footrest L	1
10	07120-08258	BOLT, front footrest bracket	2
11	43530H30A40	RUBBER, front footrest	1
12	43621HM810303P	BRACKET, pillion footrest R	1
12-1	43621HM810403P	BRACKET, pillion footrest R	1
13	43661HM8101	FOOTREST BAR, pillion R	1
14	43721HM810303P	BRACKET, pillion footrest L	1
14-1	43721HM810403P	BRACKET, pillion footrest L	1
15	43671HM8101	FOOTREST BAR, pillion L	1
16	07120-08258	BOLT, pillion footrest bracket	4
17	43679HM8101	PIN, pillion footrest	2
18	09448H08008	SPRING, pillion footrest	2
19	08332-11048	E-RING, pillion footrest	2
20	43631HM8101	PLATE, pillion stopper No.1	2
21	43641HM8101	PLATE, pillion stopper No.2	2
22	09320-14015	CUSHION, muffler support	1
23	09180-10044	SPACER, muffler support	1
24	25609HN915003P	LEVER COMP, gear shift cam	1
24~1	25609HN910103P	LEVER COMP, gear shift cam	1
KM4MP52A241100050 ~(04.08~)			
25	08331-31159	CIRCLIP, gear shift lever	1
26	09160H15002	WASHER, gear shift lever	1

FIG 33

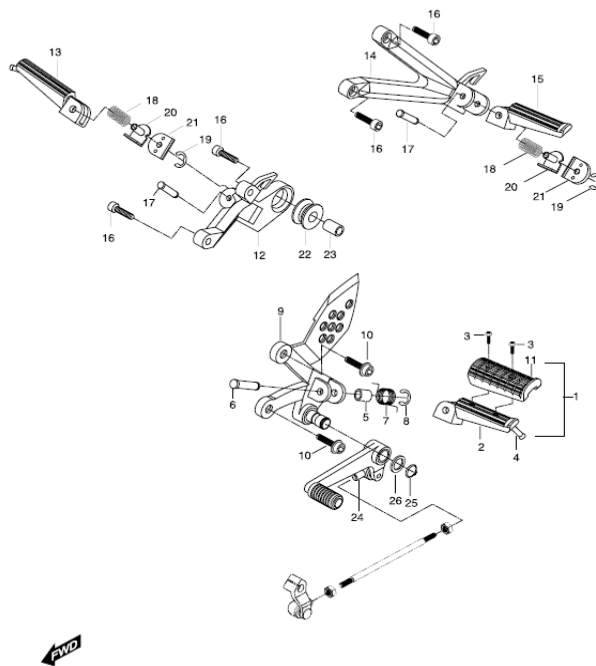


FIG 34. FUEL TANK

REF. NO.	NAT01	PART NAME	Q'TY
1	44110HN9100	TANK COMP, fuel(color),for silver frame	1
	44110HN9110	TANK COMP, fuel(color),for black frame	1
1-B	68319H05350PL	LABEL,CAUTION	1
2	44520HM8100	BRKT COMP, fuel tank front	1
3	09329-10007	CUSHION, fuel tank inner front	2
4	01517-06166	BOLT, fuel tank front brkt	2
5	09329H28001	CUSHION, fuel tank side	2
6	44530HM8100	BRKT COMP, fuel tank RR	1
7	01517-06206	BOLT, fuel tank RR brkt	2
8	44613HE7100	CUSHION, fuel tank RR brkt & battery	1
9	44218HF4500	CUSHION, fuel tank RR brkt & battery	1
10	09116H08078	BOLT, fuel tank RR	1
11	09320-14013	CUSHION, fuel tank RR up	1
12	09180H08007	SPACER, fuel tank RR cushion	1
13	09320H10020	CUSHION, fuel tank RR lower	1
14	44200H35C30	CAP ASS'Y, fuel tank filler	1
15	09401H11401	CLIP, strainer outlet & fuel pump	1
16	09106-05017	BOLT, fuel tank filler	4
17	34810HN9101	GAUGE ASS'Y, fuel lever	1
18	01134-05106	BOLT, fuel level gauge	5
19	44199H11202	HOSE, fuel strainer outlet(L=170)	1
20	09401-10401	CLIP, fuel strainer outlet	1
21	44910HG2600	STRAINER COMP, fuel	1
22	09401-08401	CLIP, fuel strainer inlet NO.2	1
23	44197HE6102	HOSE, fuel strainer inlet	1
24	09401-10401	CLIP, fuel strainer inlet NO.2	1
25	44300HN9100	COCK ASS'Y, fuel	1
26	09128-06035	BOLT, fuel cock	2
27	09168-06010	GASKET, fuel cock	2
28	44197HE6102	HOSE, fuel cock vacuum & intake pipe(L=3	1
29	09401-08401	CLIP, fuel cock & intake (L=320)	2
30	09352H70103650	HOSE, fuel tank drain (L=650)	1
31	44218HN9100	CUSHION	1
32	68319H05350PL	PLATE, CAUTION	1

FIG 34

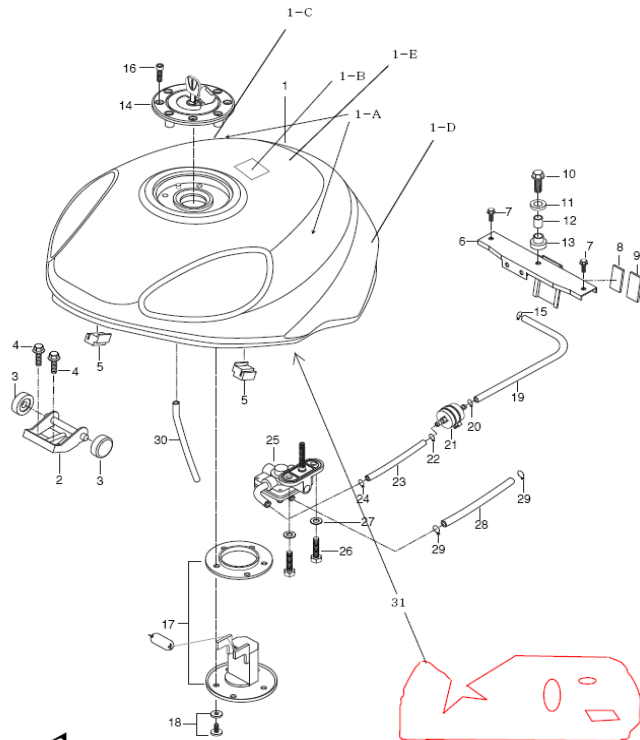


FIG 35. SEAT

REF. NO. **NAT01** **PART NAME**

- 1 45110HN9100HAS SEAT SET, front
- 2 45120HM8101 KNOB COMP, seat front
- 3 09440-11016 SPRING, seat front knob
- 4 08322-11088 WASHER, seat front knob
- 5 04111-20208 PIN, seat front knob
- 6 45200HN9100 SEAT SET, rear
- 7 01517-06206 BOLT, rear seat
- 8 09160-06057 WASHER, rear seat

Q`

FIG 35

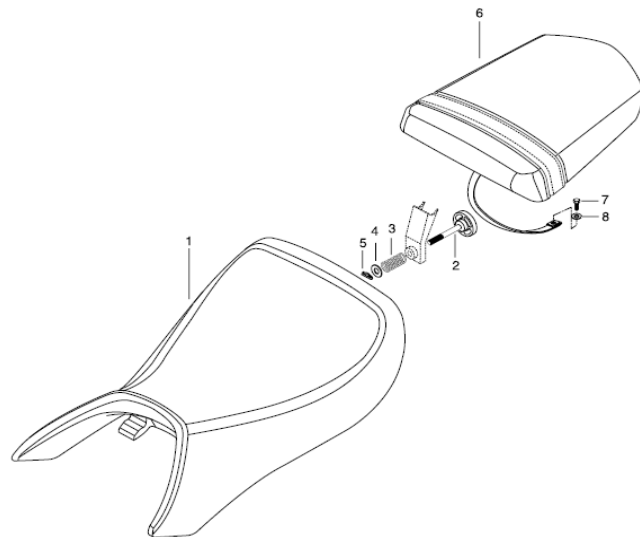


FIG 36. REAR FENDER

REF. NO.	NAT01	PART NAME	Q'TY
1	63112HM810212A	FENDER, rear front	1
1-1	63112HM810512A	FENDER, rear front	1
2	63113HM810112A	FENDER, rear lower	1
3	09280-63003	BAND, tool	1
4	09111H06066	BOLT, rr fender ft up	2
5	09148-05039	NUT, rr fender ft	2
6	01517-06166	BOLT, rr fender ft & frame side tube	2
7	09169-06032	WASHER, rr fender ft & frame side tube	2
8	02142-06166	SCREW, rr fender lower	2
9	09169-06032	WASHER, rr fender lower	2
10	41589HG5900	PROTECTOR,BATTERY COV	1
10-1	41589HR9700	CUSHION, rr fender ft & battery NO2	1
11	63120HM810003P	TUBE COMP, RR fender FT & frm side ~KM4MP51AX61103538	1
11-1	63120HM810103P	TUBE COMP, RR fender FT & frm side KM4MP51AX61103539~(05.10~)	1
12	01517-08168	BOLT, frm side tube	2
13	63115HN9101	TAPE, RR fender FT	1
14	68350HM8150PL	LABEL, caution NO.1	1
15	02142-04088	BOLT, RR Fender FT	2

FIG 36

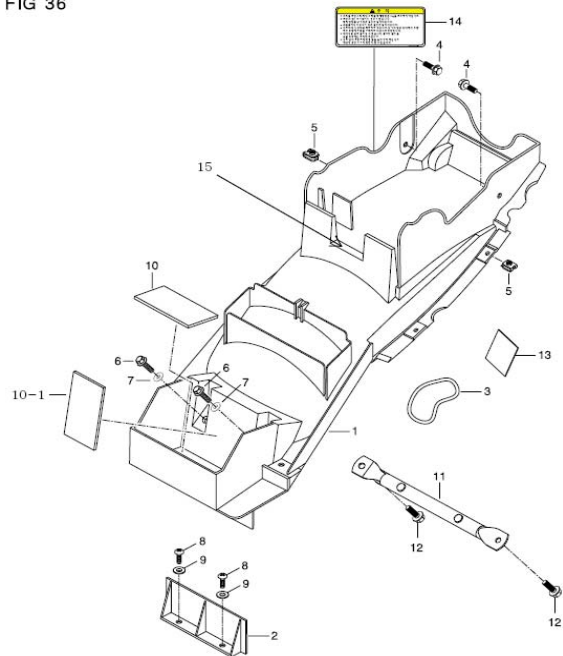


FIG 37. SIDE COVER

REF. NO.	NAT01	PART NAME	Q'TY
1	47111HN9100	COVER, side R(color) CDB,CMB,CMO	1
2	47211HN9100	COVER, side L(color) CDB,CMB,CMO	1
1-1		COVER, Side R (With sticker)	1
2-1		COVER, Side L (With sticker)	1
3	47113HM8101	BOLT, luggage support	2
4	08322-11088	WASHER, luggage bolt & frm side	2
5	09106H06150	SCREW, frm side front	2
6	09169H06078	WASHER, frm side front	2
7	02142-06165	SCREW, frm side center	1
8	09148H05029	NUT, frm side rear up	3
9	09106H05150	SCREW, frm side rear up	3
10	02142-06165	SCREW, frm side low & frm	2
11	09106H05150	SCREW, frm side low & rear fender	6
12	45220HM8101	LOCK ASS'Y, seat striker rear	1
13	02122-06308	SCREW, seat striker	2
14	45280-35C00	CABLE COMP, seat lock	1
15	92414HF4500	LOCK, key set & seat lock guide	1
16	45700HG2630	LOCK ASS'Y, seat	1
17	45381HG2601	GUIDE, seat lock cable	1
18	92413HF4501	WASHER, key set & seat lock guide	1
19	47115HN9100	CAP, luggage support bolt	2
20	68130HN9100	EMBLEM, color(015=>0DB,03P=>0MB,10	2
21	68204HN9100	TAPE, rear seat & s/cover R	1
22	68206HN9100	TAPE, rear seat & s/cover L	1
23		EMBLEM, 650	2
24		TAPE, Side Cover RH	1
25		TAPE, Side Cover LH	1

FIG 37

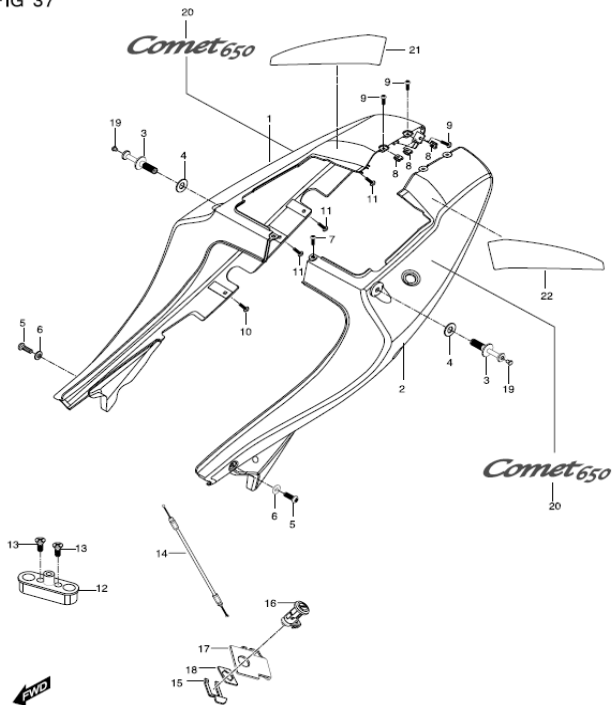


FIG 38. FRONT FORK

REF. NO.	NAT01	PART NAME	Q'TY
1	51100HN9100HPA	FORK ASS'Y, front ~ KM4MP51A341100140	1
1~1	51100HN9150HPA	FORK ASS'Y, front KM4MP51A341100141~(03.11~)	
2	51410HM8105HPA	BRACKET COMP, front fork under	1
2-A	51410HP9204HPA	BRACKET COMP, front fork under KM4MP51A661103621~	1
3	51411HM810503P	BRACKET, front fork under	1
3~1	51411HP920103P	BRACKET, front fork under ~KM4MP51A761103657	1
3~2	51411HP9204	BRACKET, front fork under	1
4	07110-08258	BOLT, front fork under bracket	4
5	09265H25001	BEARING, steering lower	1
6	09265H28001	BEARING, steering upper	1
7	51631-28000	NUT, steering stem	1
8	09166H25001	WASHER, steering stem	1
9	51210HN9100	DAMPER ASS'Y, front fork R ~ KM4MP51A341100140	1
9A	51210HN9150	DAMPER ASS'Y, front fork R KM4MP51A341100141~(03.11~)	1
	51210HN9170120	DAMPER ASS'Y, front fork R KM4MP51AX71104451~(07.01~)	1
10	51220HN9100	DAMPER ASS'Y, front fork L ~ KM4MP51A341100140	1
10A	51220HN9150	DAMPER ASS'Y, front fork L KM4MP51A341100141~(03.11~)	1
	51220HN9170120	DAMPER ASS'Y, front fork L KM4MP51AX71104451~(07.01~)	1
10-1	52210-N9100	UPPER CASE, FORK	2
10-2	52110-N9100	PIPE, FORK	2
10-3	51255HG5800	OIL SEAL, FORK	2
10-4	52620-G5800	AIR DUST COVER	2
11	09106H08458	BOLT, axle grip	4
12	07110-08258	BOLT, fork clip	2
13	90544H93B00	WASHER, spacer	2
14	51511HN9100	JOINT, front brake hose	1
15	01517-06308	BOLT, front brake hose joint	2
16	51631HN9100	NUT, steering stem upper	1
17	51643HG5801	DUST SEAL, steering upper	1
18	09164H28001	WASHER, PROTECTOR KM4MP51A661103621~	1

FIG 38

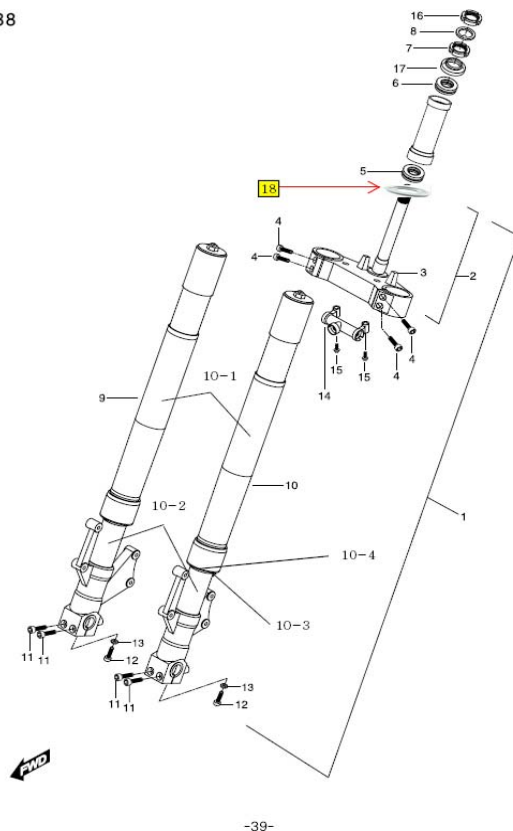


FIG 39. STEERING HEAD

REF. NO.	NAT01	PART NAME	Q`TY
1	51311HM810403P	BRACKET, front fork upper	1
2	07110-08258	BOLT, front fork upper bracket	2
3	09159H22002	NUT, str upper	1
4	09160H22032	WASHER, str upper	1
5	56211-35C00	HOLDER, handle bar	2
6	56171HF4601	COVER, steering head	1
7	09106H08458	BOLT, handle holder upper	4
8	56222HG5100	CAP, headle holder upper bolt	4

FIG 39

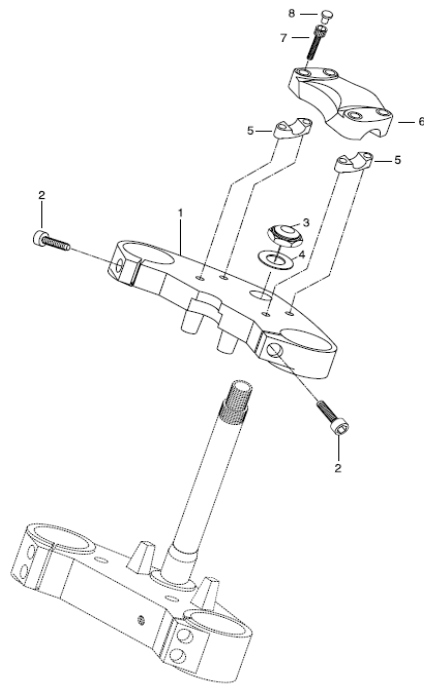


FIG 36. FRONT FENDER

REF. PARTS NAME Q'TY
NO. MAT01

1	53111HM8100	FENDER, front(EX : CMB,CMO,C	1
2	51811HM8101PAM	HOUSING, headlamp	1
3	51550HM8100	BRACE COMP, headlamp housing	1
4	51540HM8100PLA	BRKT COMP, headlamp housing R	1
5	51530HM8100PLA	BRKT COMP, headlamp housing L	1
6	02122-06308	BOLT, headlamp brkt housing	4
7	01284-08258	BOLT, headlamp housing	2
8	09180-08092	SPACER, headlamp housing	2
9	09320-10020	CUSHION, under brkt & headlamp	2
10	09329-12002	CUSHION, headlamp housing	2
11	51860-45000	PLATE COMP, headlamp housing	2
12	02112-95208	SCREW, housing & headlamp	3
13	09169H06078	WASHER, housing & headlamp	1
14	94611HN9100	Windscreen for GT650 & GT250	1
15	94411HN9100	COW'G,Body 0BK, 0DB, 0TR	1
16R	94412HN91000S3	COWLING,BODY SIDE R	1
16L	94413HN91000S3	COWLING,BODY SIDE L	1
17	09169H06078	WASHER, front fender	4
18	09106H06150	Bolt,front fender	4

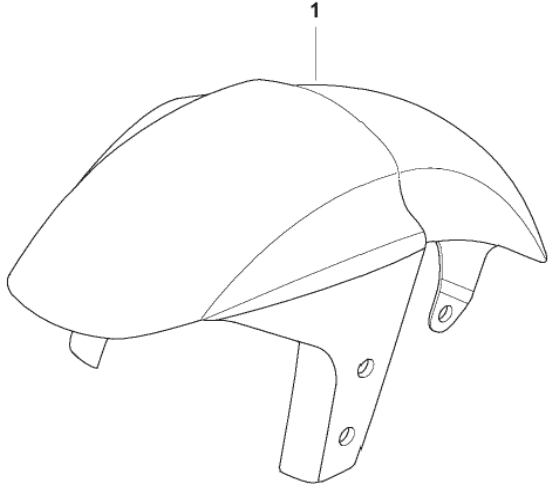
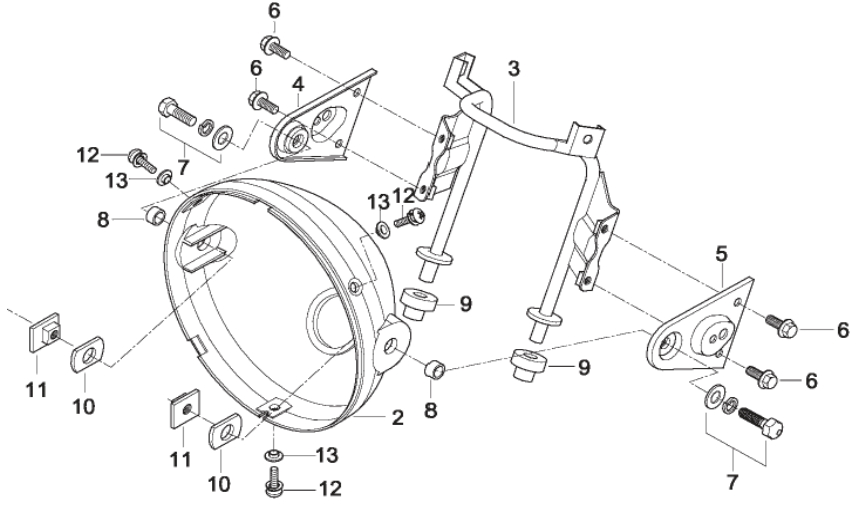


FIG 41. FRONT WHEEL

REF. NO.	NAT01	PART NAME	Q'TY
1	54141HM8102	WHEEL, front (J17xMT3.0) KM4MP51A561103593~	1 1
1-1	54141HN9101120	WHEEL, front (J17xMT3.0) KM4MP51AX71104451~(07.01~)	1
1-2	54140HN9101HPA	WHEEL + BEARING KM4MP51A561103593~(05.12~)	1
	54140HN9101120	WHEEL + BEARING KM4MP51AX71104451~(07.01~)	1 1
3	59211HM8101	DISC COMP, front L	1
4	59421-03A01	BOLT, front brake disc	12
5	54711HG5101	AXLEL, front	1
6	54740HM8101	SPACER COMP, front axle R	1
7	54721HM8100	NUT, front axle	1
8	54600HG5102	BOX ASS'Y, speedometer gear	1
9	08124-63027	BEARING, front hub	2
10	54731HM8100	SPACER, front hub	1
11	55220-29C20	VALVE ASS'Y, wheel rim	1
12	59221HM8161	DISC COMP, F/T R	1

FIG 41

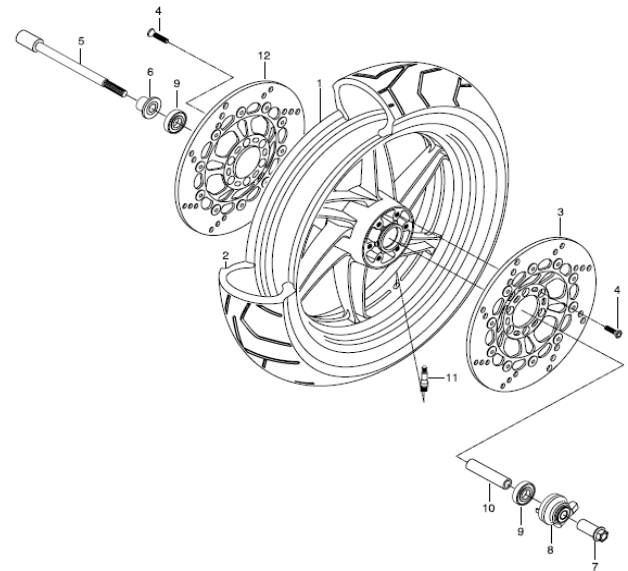


FIG 42. HANDLE BAR

REF. NO.	NAT01	PART NAME	Q`TY
1	56110HN9102	HANDLE BAR COMP	1
2	58200HN9104	CABLE ASS`Y CLUTCH	1
3	58300HN9103	CABLE ASS`Y, throttle ~KM4MP51A341100140	1
3~1	58300HN9104	CABLE ASS`Y, throttle KM4MP51A341100141~(03.11~)	1
4	58410HN9103	CABLE COMP, starter	1
5	56500HP9250	MIRROR ASS`Y, rear view R	1
6	56600HP9250	MIRROR ASS`Y, rear view L	1
8	09200-06004	PIN, clutch cable	1
9	04111-20158	COTTER PIN, clutch	1
10	58600HN9103	CABLE ASS`Y, throttle return	1
11	09408-00002	CLIP, throttle cable & return cable	1

FIG 42

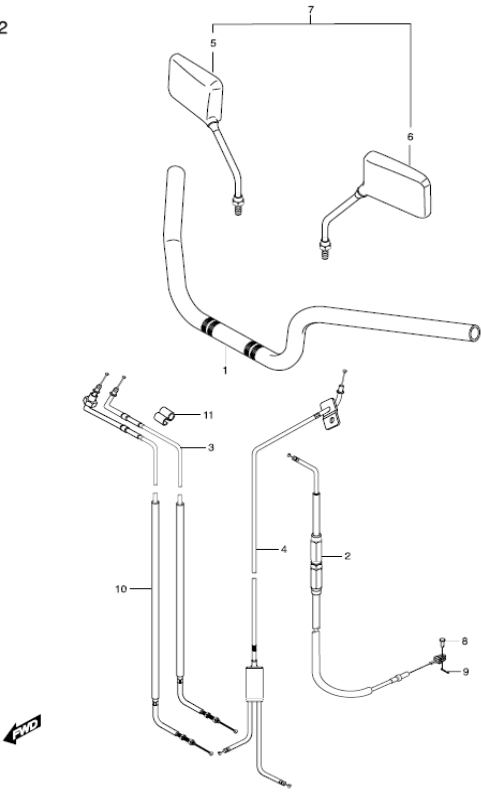


FIG 43. HANDLE SWITCH

REF. NO.	NAT01	PART NAME	Q'TY
1	37200HN9100	SWITCH ASS'Y, handle R	1
2	57110HG5803	GRIP COMP, throttle	1
3	56271HF4501PLA	BALANCER, handlebar	2
4	57421-13001	LEVER, brake	1
		~ KM4MP51A341100140	
4~1	57421HN9100	LEVER, brake	1
		KM4MP51A341100141~(03.11~)	
4~2	57300HN9102	LEVER, brake ASS'Y	1
		KM4MP578061103554~(05.12~)	
5	07110-08208	BOLT, handle balancer	2
6	37400HN9100	SWITCH ASS'Y, handle L	1
7	57211HG5800	GRIP, L	1
8	09407-14403	CLAMP, handle switch harness	2
9	57460HJ8250	SWITCH ASS'Y, clutch	1
10	57431H05D00	BOLT, brake lever pivot	1
11	08319-21065	NUT, brake lever pivot	1
12	57460-17C00	SWITCH ASS'Y, stop	1
13	02112-74108	SCREW, stop switch	1
14	57620HN9100	LEVER COMP, clutch	1
14-A	57620HN9101	LEVER COMP, clutch	1
		KM4MP51A561103755~(06.03~)	
15	57500HN9100	LEVER ASS'Y, clutch	1
		KM4MP578061103554(05.12~)	
15-A	57500HN9101	LEVER ASS'Y, clutch	1
15-B	57500HN9102	LEVER ASS'Y, clutch	1
		KM4MP51A561103755~(06.03)	
16	57511HM8100	HOLDER, clutch lever	1
16-A	57511HN9100	HOLDER, clutch lever	1
		KM4MP578061103554~(05.12~)	
16-B	57511HN9101	HOLDER, clutch lever	1
		KM4MP51A561103755~(06.03~)	
17	57431HG5800	BOLT SET, clutch lever pivot	1
18	08319-21065	NUT, clutch lever pivot	1
19	57451HG5800	BOLT, clutch lever holder	1
20	57442H93B00	LOCK NUT	1
21	57441H93B00	ADJUSTER, wire	1
22	57661HJ8200	COVER, clutch lever	1
22~1	57661HN9100	COVER, clutch lever	1
		KM4MP51A761103658~(06.01~)	
23	37281HN3201	BOSS, HANDLE SWITCH R	1

FIG 43

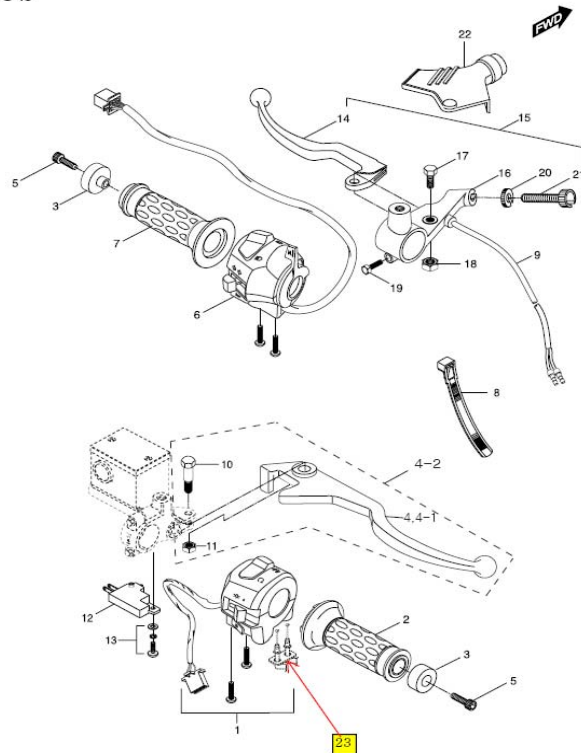


FIG 44. CALIPER LH

REF. NO.	NAT01	PART NAME	Q'TY
0	59300HN9100	CALIPER ASS'Y, L	1
1	07120-08308	BOLT, caliper	2
2	01514-06106	BOLT, speedometer cable guide	1
3	59266HN9100	GUIDE, speedometer cable	1
4	59301HP9500	PAD SET(8.4t)	1

FIG 44

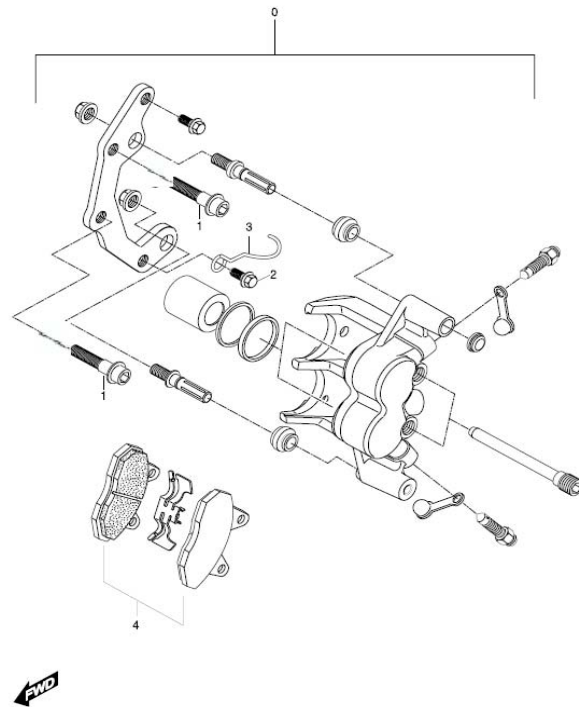


FIG 45. CALIPER RH

REF. NO.	NAT01	PART NAME	Q'TY
0-3	59400HN9100	CALIPER ASS'Y, R	1
1	07120-08258	BOLT, caliper	2
2	59301HP9500	PAD SET(8.4t)	1

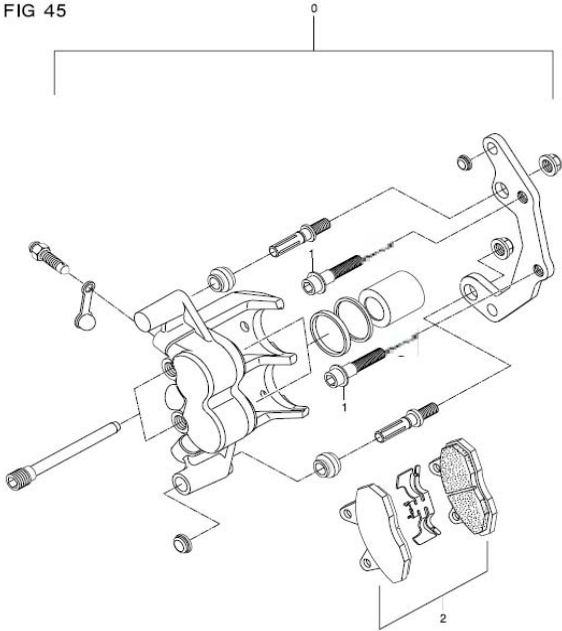


FIG 46. MASTER CYLINDER

REF. NO.	NAT01	PART NAME	Q'TY
0	59600HN9100	CYLINDER ASS'Y, front master ~KM4MP52B451100044(~05.02)	1
0-1	59600HN9102	CYLINDER ASS'Y, front master KM4MP51A351103171~(05.01~)	1
0-2	59600HP9201	CYLINDER ASS'Y, front master KM4MP578061103554~(05.12~)	1
1	59687HM8162	BODY	1
2	59669SN9110	CAP SET, Master Cylinder 2-A + 2-B	1
2-A	59669HN9100	CAP, Master Cylinder	1
2-B	59511HP9200	PLATE, reservoir cap	1
3	59610HN9100	PISTON, SET	1
4	59691-35C00	SCREW	2
5	59671-35C00	HOLDER	1
6	01107-35C00	BOLT, holder	2
7	59667HP9200	DIAPHRAGM	1

FIG 46

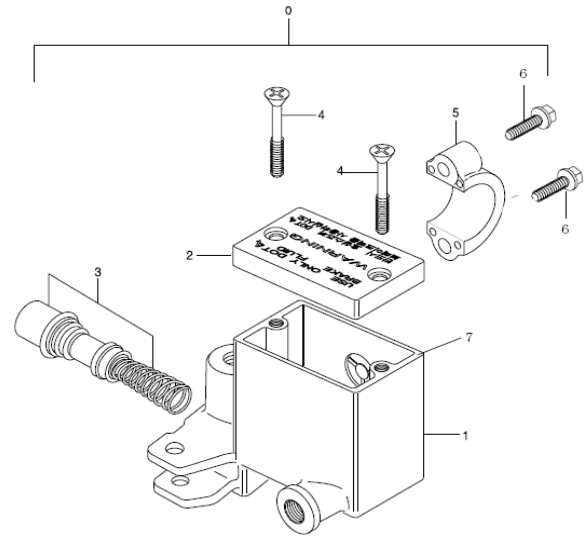


FIG 47. FRONT BRAKE HOSE

REF. NO.	NAT01	PART NAME	Q'TY
1	59711H49002	BOOT, brake hose	1
2	59460HN9100	HOSE COMP, FT brake R	1
3	09161-10005	WASHER, brake hose	12
4	59450HN9100	HOSE COMP, front brake upper	1
5	69480HM8104	HOSE COMP, rear brake	1
6	09161-10005	WASHER, rear brake fluid	4
7	09360-10039	BOLT, rear brake fluid	8
8	59470HN9100	HOSE COMP, FT brake L	1
9	09360-10039	BOLT, brake hose	1
10	09408H10002	CLIP, ft brake hose & SP/cable	1

FIG 47

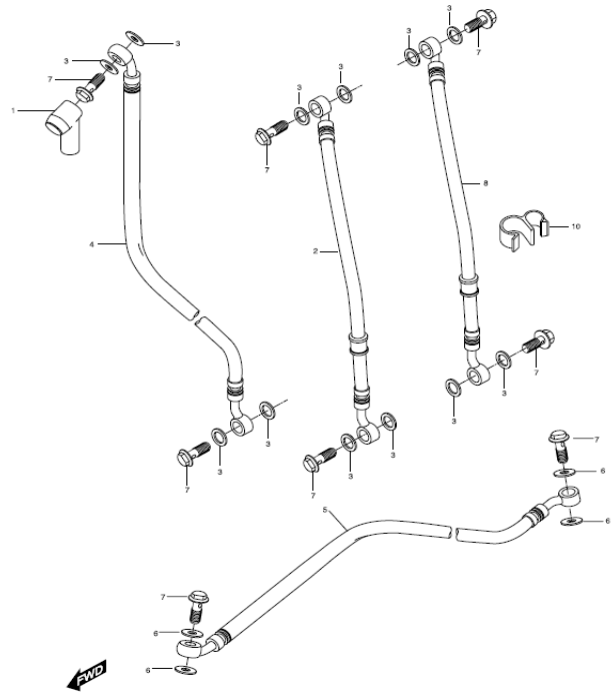


FIG 48. SWINGING ARM

REF. NO.	NAT01	PART NAME	Q'TY
0	61100HN9105HPA	REAR SWINGARM ASS'Y	1
		KM4MP51A561103593~(05.12~)	1
	61100SN9106120	REAR SWINGARM ASS'Y(Black)	1
		KM4MP51AX71104451~(07.01~)	1
1	61100HN9105	SWINGARM COMP, rear	1
		KM4MP51A561103593~(05.12~)	1
	61100HN9106120	SWINGARM COMP, rear(Black)	1
		KM4MP51AX71104451~(07.01~)	1
2	61273HN9100	BUFFER, chain touch defense	1
3	02142-06166	BOLT, chain touch defense buffer	2
4	09169-06032	WASHER, chain touch defense buffer	2
5	61510HM8100	GUIDE, rear brake hose No.1	1
6	09263-22017	BEARING, rear swingarm pivot	2
7	61252HN9100	SPACER, rear swingarm pivot R	1
8	61251HM8100	SPACER, rear swingarm pivot bearing	1
9	02142-06128	BOLT, RR brake hose guide N0.1	1
10	09283-20031	SEAL, rear cushion rod	2
11	09263H20003	BEARING, rear cushion rod	2
12	09180H14001	SPACER, rear cushion rod	1
13	08211-14341	WASHER, rear cushion rod	2
14	09159H14008	NUT, rear cushion rod	2
15	09103H14001	BOLT, rear cushion rod	2
16	62641HN9100	ROD, rear cushion lever	2
17	09180H10073	SPACER, rear cushion lever rear	1
18	09263H17002	BEARING, rear cushion lever rear	1
19	08316-16088	NUT, chain adjuster	2
20	09103H08608	BOLT, chain adjuster	2
21	61262-45002	COVER, rear swingarm pivot	2
22	09263H20003	BEARING, rear cushion lever center	2
23	62611HG5800	LEVER, rear cushion	1
24	09284H33003	DUST SEAL, rear cushion lever front	2
25	09263-20073	BEARING, rear cushion lever front	1
26	09180H12001	SPACER, rear cushion lever front	2
27	09103H12046	BOLT, rear cushion lever front	1
28	08319-31128	NUT, rear cushion lever front	1
29	09284H32001	SEAL, rear cushion lever center	2
30	62611HN9100HPA	LEVER, REAR cushion ASS'Y	1
31	68320HN9150PL	LABEL, chain case	1

FIG 48

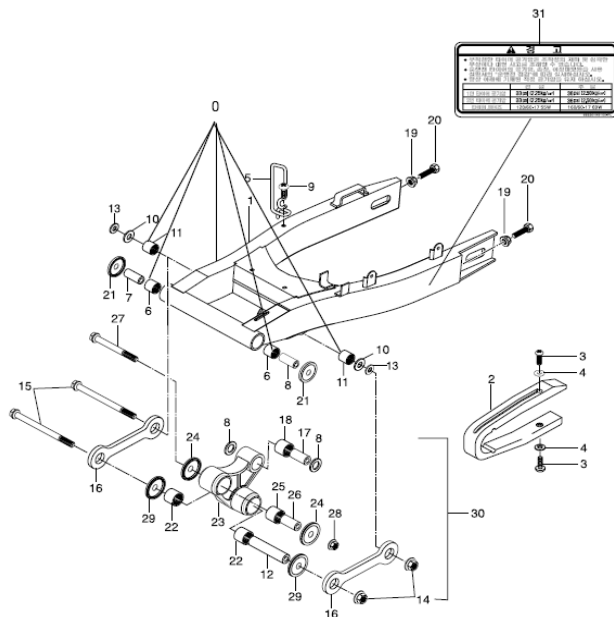
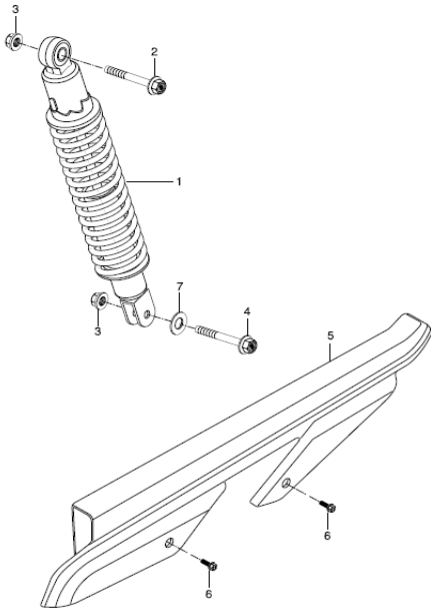


FIG 49. REAR SHOCKABSOR BER

REF. NO.	NAT01	PART NAME	Q`TY
1	62100HN9100	SHOCK ABSORBER ASS`Y rear ~KM4MP51A341100140	1
1~1	62100HN9151	SHOCK ABSORBER ASS`Y rear KM4MP51A341100141~(03.11~)	1
2	09103H10101	BOLT, rear shock absorber upper	1
3	08319-31108	NUT, rear shock absorber upper	2
4	09103H10101	BOLT, rear shock absorber lower	1
5	61310HM8102	CASE COMP, chain	1
6	09111H06066	BOLT, chain case	2
7	09160-10001	WASHER, rear shock absorber lower	1

FIG 49



FRONT

FIG 50. REAR FENDER

REF. NO.	NAT01	PART NAME	Q'TY
1	63111HM810112A	FENDER, rear	1
2	01517-06206	BOLT, rr fender	4
3	09169-06032	WASHER, rr fender	4
4	09148-05039	NUT, rr fender	4
5	09321-06023	CUSHION, license plate	1
6	35910HM8100	LAMP ASS'Y, license plate	1
7	08316-26055	NUT, license lamp(M5)	2
8	35915HL7300	COVER, license lamp	2
9	08316-26055	NUT, license lamp	2
10	35970-17303	REFLEX REFLECTOR ASS'Y, rear	1
11	01107-05605	SCREW, license lamp	2
12	35911HG5800	LENS, license	1
13	35912HG5800	HOUSING, license	1
14	35916HG5850	CORD ASS'Y	1
15	09471-12210	BULB, license lamp(12V/5W)	1

FIG 50

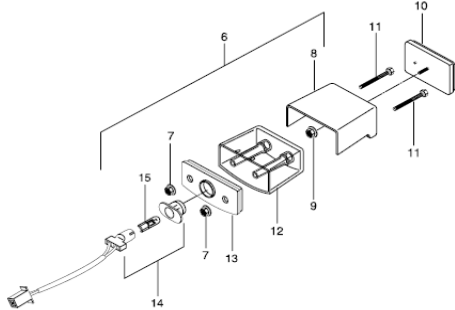
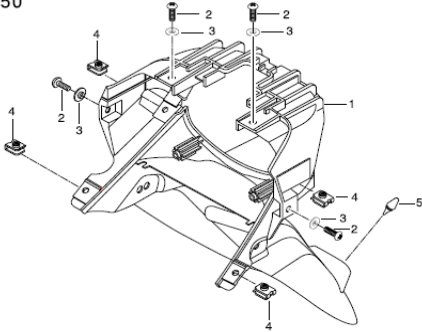


FIG 51. REAR WHEEL

REF. NO.	NAT01	PART NAME	Q'TY
1-1	64150HN9100	WHEEL COMP, rear (J17xMT4.50)	1
1-1-2	64150HN9100120	WHEEL COMP, rear (J17xMT4.50)(Black) KM4MP51AX71104451~(07.01~)	1
3	55220-29C20	VALVE ASS'Y, wheel rim	1
4	64711HN9101	AXLE, rear	1
5	09159H16002	NUT, rear axle	1
6	64741HM8100	SPACER, rear axle R	1
7	64751HM8100	SPACER, rear axle L	1
8	64611HN910103P	DRUM, rear sprocket mounting	1
8~1	64611HN9150120	DRUM, rear sprocket mounting black	1
9	64511HN9101	SPROCKET, rear(44T)	1
10	64733HM8100	RETAINER, rear sprocket drum	1
11	01517-08358	BOLT, rear sprocket	6
12	08319-31088	NUT, rear sprocket	6
13	09285-28001	OIL SEAL, rear sprocket mounting drum	1
14	08133-62047	BEARING, rear sprocket mounting drum	1
15		WASHER, rear sprocket	3
16	64651HM8101	SHOCKABSORBER, rear wheel	6
17	64731HM8100	SPACER, rear wheel bearing	1
18	08133-62037	BEARING, rear wheel L	1
19	08133-62037	BEARING, rear wheel R	1
20	09283-27010	O-RING, rear hub R	1
21	69211HM8102	DISK, rear brake	1
22	59421-03A01	BOLT, rear brake disk	6
23	61411HN9100	PLATE, chain adjuster R	1
24	61511HN9100	PLATE, chain adjuster L	1
25	69340HM810303P	CARRIER, caliper	1
25~1		CARRIER, caliper	1
26	61610HM8101	GUIDE, rr brake hose NO. 2	1
27	09280-55001	O-RING, rear hub L	1
28	01517-06128	BOLT, rr brake hose guide NO. 2	1

FIG 51

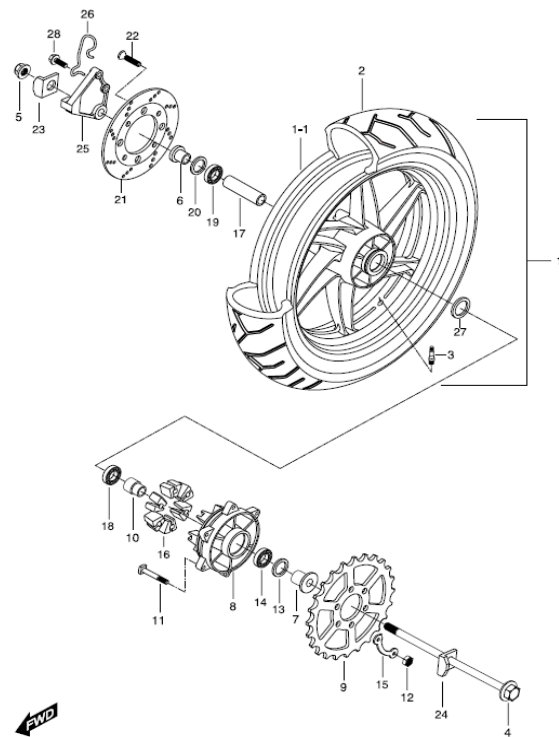


FIG 52. REAR CALIPER

REF. NO.	NAT01	PART NAME
1	69300HN9102	CALIPER ASS'Y, rear brake
2	09103H08254	BOLT, caliper
3	59301HP9500	PAD SET(8.4t)

Q`

FIG 52

