



REFERENCE

1.The detailed specifications of each model are referred by the persons who are in charge of overseas marketing team, Hyosung.

2.Special demand

When you order any colored parts including Fuel tank, please add color code to the end of parts number and it will be helpful to register your parts order.

※ Color code

0NR : BLACK + RED

0NS : BLACK + SILVER

0UO: BLACK + ORANGE

HYOSUNG MOTORS & MACHINERY INC.

FIG 34. FUEI TANK

GT650S,R TYPE

REF NO.	2008' NEW TWO TONE PAT01/PAT02	PART NAME	Q'TY
---------	--------------------------------	-----------	------

1	44110HN9100CDS	TANK COMP,fuel (3NR, 0NR)	1
	44110HN9110CDR	TANK COMP,fuel (3UO, 0NS)	1
1-A	68120HN910003P	EM,HYOSUNG(GT650)	2
1-B	68319H05370PL(PG)	LABEL,CAUTION	1
	68319H05380PL(PS)	LABEL,CAUTION	1
	68319H05390PL(PF)	LABEL,CAUTION	1
1-E		LABEL, Emission	1
2	44520HM8100	BRKT COMP, fuel tank front	1
3	09329-10007	CUSHION, fuel tank inner front	2
4	01517-06166	BOLT, fuel tank front brkt	2
5	09329H28001	CUSHION, fuel tank side	2
6	44530HM8100	BRKT COMP, fuel tank RR	1
7	01517-06206	BOLT, fuel tank RR brkt	2
8	44215HM8100	CUSH,F/TANK IN 2	1
9	44216HM8100	CUSH,F/TANK IN 3	1
10	09116H08078	BOLT, fuel tank RR	1
11	09320-14013	CUSHION, fuel tank RR up	1
12	09180H08007	SPACER, fuel tank RR cushion	1
13	09320H10020	CUSHION, fuel tank RR lower	1
14	44200H35C30	CAP ASS'Y, fuel tank filler	1
15	09401H11401	CLIP, strainer outlet & fuel pump	1
16	09106-05017	BOLT, fuel tank filler	4
17	34810HM8102	GAUGE ASS'Y, fuel lever	1
18	01134-05106	BOLT, fuel level gauge	5
19	44199H11202	HOSE, fuel strainer outlet(L=170)	1
20	09401-10401	CLIP, fuel strainer outlet	1
21	44910HG2600	STRAINER COMP, fuel	1
22	09401-08401	CLIP, fuel strainer inlet NO.2	1
23	44197HK2701	HOSE, fuel strainer inlet	1
24	09401-10401	CLIP, fuel strainer inlet NO.2	1
25	44300HN9100	COCK ASS'Y, fuel	1
26	09128-06035	BOLT, fuel cock	2
27	09168-06010	GASKET, fuel cock	2
28	44197HE6102	HOSE, fuel cock vacuum & intake pipe(L=320)	1
29	09401-08401	CLIP, fuel hose	2
30	09352H70103650	HOSE, fuel tank drain (L=650)	1
31	44218HN9100	PROTECTOR,FUEL TANK INNER	1
32	68114H797600D5	TAPE, FUEL TANK R	1
33	68116H797600D5	TAPE, FUEL TANK L	1

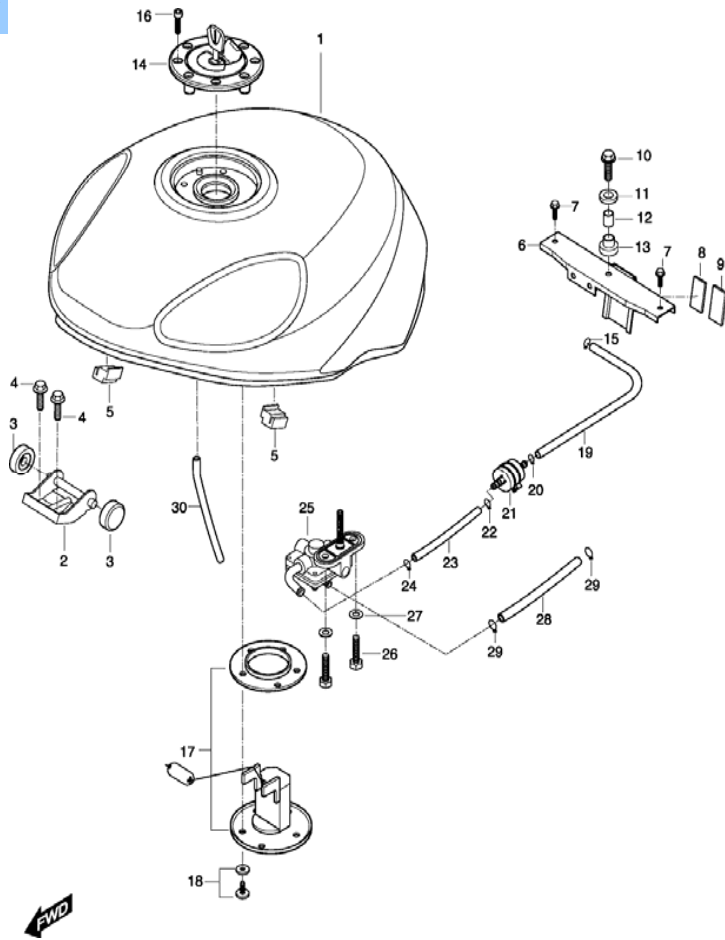


FIG 36. COWBODY

GT650S,R TYPE

REF. NO.	2008' NEW TWO TONE PAT01/PAT02	PART NAME	Q'TY
----------	--------------------------------	-----------	------

1	94611HP9203HPA	WINDSCREEN ASS'Y(COLOR :LIQUID)	1
	94601HP9200HPA	WIND SCREEN ASS'Y(COLOR : TONED)	
1-1	94611HP9203	WINDSCREEN	1
1-2	68500HP9200	TAPE,WINDSCREEN	1
1-3	68120HL730003P	EMBLEM,LEG SHIELD FRONT	1
2	94641HP9200	PANEL, meter	1
3	94411HP92020DR	COW'G, body side R (ONR)	1
	94411HP92020DS	COW'G, body side R (ONS)	1
4	94421HP92020DR	COW'G, body side L (ONR)	1
	94421HP92020DS	COW'G, body side L (ONS)	1
5	94431HP92000DR	COW'G, body side R inner (ONR)	1
	94431HP92000DS	COW'G, body side R inner (ONS)	1
6	94491HP9200	COW'G, body side lower L(color:0DR,,0DS,0DY,0MO)	1
7	94481HP9200	COW'G, body side lower R(color:0DR,,0DS,0DY,0MO)	1
8	94671HP9200121	COW'G, air duct L	1
9	94661HP9200121	COW'G, air duct R	1
10	94441HP92000DR	COW'G, body center lower (ONR)	1
	94441HP92000DS	COW'G, body center lower (ODS)	1
11	94510HP9202	BRACE, cowling	1
12	03241-05125	BOLT, meter panel & body side cow R/L	8
13	09103H08254	BOLT, brace comp & frame head pipe	2
14	09180H06208	SPACER, body side cow R/L & brace comp	4
15	09320-09034	CUSHION, body side cow R/L & brace comp	4
16	09136-06113	BOLT, body side COW'G R/L & brace comp	4
17	09180H06208	SPACER, body side COW'G R/L & frame	2
18	09320-09034	CUSHION, body side COW'G R/L & frame	2
19	09136-06113	BOLT, body side COW'G R/L & frame	2
20	09320-07012	CUSHION, windscreen & body side COW'G up	6
21	09106H05150	BOLT, windscreen & body side COW'G up	6
22	09148-05004	NUT, body side COW'G R/L & meter panel	8
23	03241-05106	SCREW, side COW'G & lower COW'G	8
24	09148-05004	NUT, lower COW'G ctr & body side COW'G R/L	1
25	03241-05125	SCREW, lower COW'G ctr & body side COW'G R/L	1
26	09148-06020	NUT, body side COW'G R/L & brace comp	4
27	94425HP9200	PLATE, body side COW'G & lower COW'G No.2 L	1
28	94425HP9200	PLATE, body side COW'G & lower COW'G No.2 R	1
29	08316-26055	NUT, windscreen & body side COW'G up	6
30	03211-05166	SCREW, lower COW'G & body side COW'G R/L	4

FIG 36

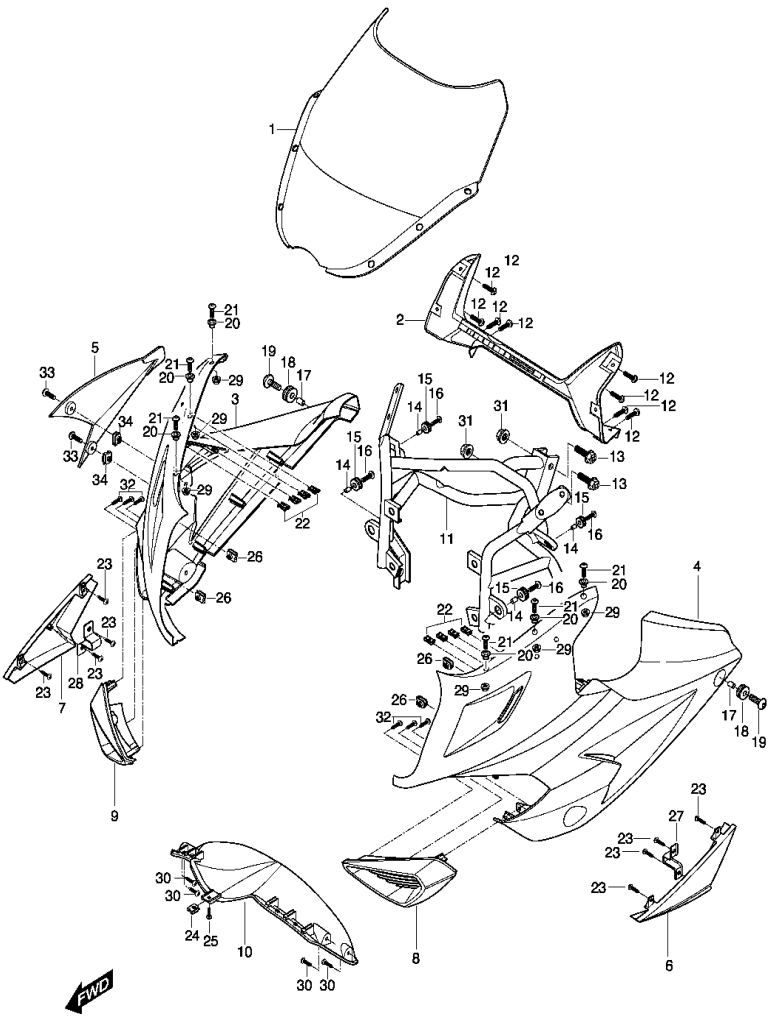


FIG 37. COWBODY

FIG 37

REF NO.	2008' NEW TWO TONE PAT01/PAT02	PART NAME	Q'TY
---------	--------------------------------	-----------	------

0	94409HP9450	UNDER COW'G SET(color:OBK,0DR,0DS,0MO-WITH EMBLUM)	
1	94432HP9402CBK without Tape	COW'G, under RH (<u>0NR,0NS</u>)	1
2	94433HP9400CBK without Tape	COW'G, under LH (<u>0NR,0NS</u>)	1
3	94431HP9400OBK	COW'G, under center (<u>0NR,0NS</u>)	1
4	94434HP9402	PLATE, under COW'G RH	1
5	94435HP9401	PLATE, under COW'G LH	1
6	94436HP9401	PLATE, under center COW'G	1
7	94478HP9400	PLATE COMP,under COW'G upper RH	1
8	94479HP9400	PLATE COMP,under COW'G upper LH	1
9	01134-06306	BOLT, body under COW'G & frame	2
10	09106H05150	BOLT, body under COW'G R/L	11
10-1	09136-06113	BOLT	2
10-2	09106H06150	BOLT	4
11	09148-05004	NUT, under COW'G	9
12	94425HP9401	PLATE, body COW'G side lower	2
13	94426HP9401	PLATE, body COW'G side	4
14	94439HP9400120	GRILL, under center COW'G	1
15	94417HP9201	PLATE COMP, frame & body COW'G No.2	2
16	03151-05125	SCREW, side COW'G & lower cow'l	7
16-1	03241-05125	SCREW	9
17	68130HP9450015	TAPE, "GT650 R" RH(color:0DR)	2
	68130HP945003P	TAPE, "GT650 R" RH(color:0BK)	2
	68130HP945010R	TAPE, "GT650 R" RH(color:0DY,0MO)	2
18	94453HP9400	CUSHION, Under Cow'g Side L	2
19	94456HP9400	CUSHION, Under Cent Cow'g R	1
20	94457HP9400	CUSHION, Under Cent Cow'g L	1
21	94458HP9400	CUSHION, Under Cowling R	1
22	94459HP9400	CUSHION, Under Cowling L	1
23	68144H797600D2	TAPE, UNDER COW'G NO1 R (<u>0NR</u>)	1
	68144H797600D1	TAPE, UNDER COW'G NO1 R (<u>0NS</u>)	1
24	68154H797600D3	TAPE, UNDER COW'G NO2 R (<u>0NR</u>)	1
	68154H797600D4	TAPE, UNDER COW'G NO2 R (<u>0NS</u>)	1
25	68146H797600D2	TAPE, UNDER COW'G NO1 L (<u>0NR</u>)	1
	68146H797600D1	TAPE, UNDER COW'G NO1 L (<u>0NS</u>)	1
26	68156H797600D3	TAPE, UNDER COW'G NO2 L (<u>0NR</u>)	1
	68156H797600D4	TAPE, UNDER COW'G NO2 L (<u>0NS</u>)	1

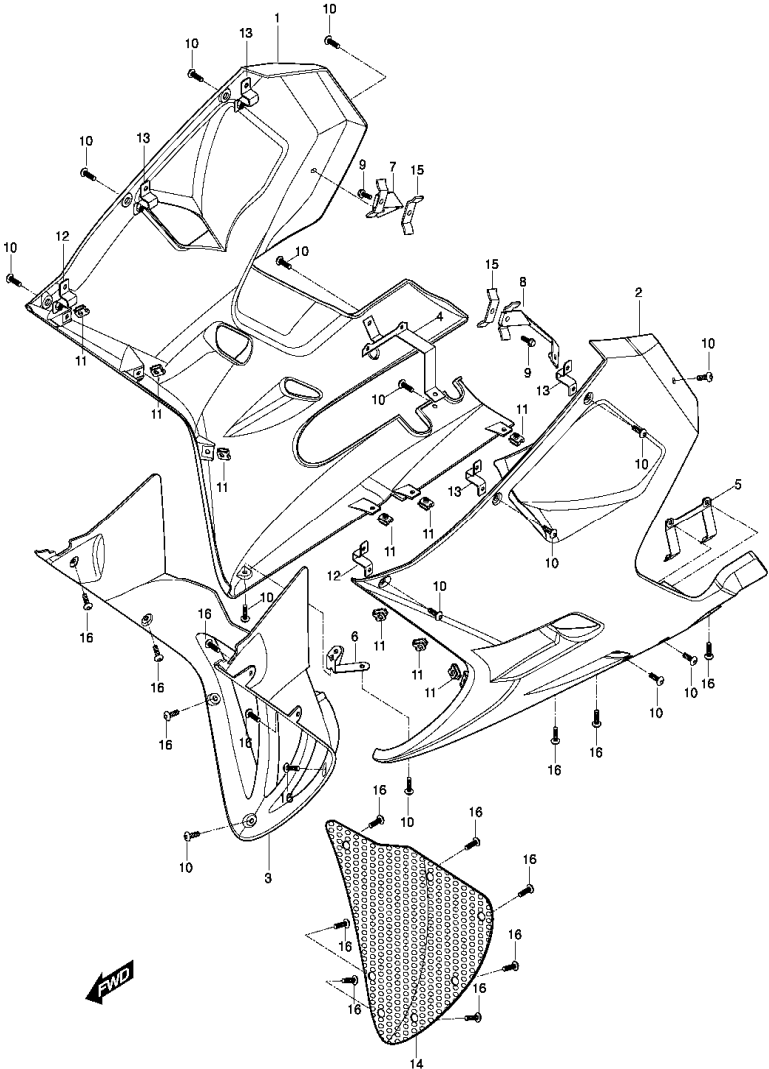


FIG 39. SIDE COVER

GT650S,R TYPE

REF. NO.	2008' NEW TWO TONE PAT01/PAT02	PART NAME	Q'TY
----------	--------------------------------	-----------	------

1	4711HM8104CBK without Tape	COVER, side RH (ONR,ONS)	1
2	4721HM8105CBK without Tape	COVER, side LH (ONR,ONS)	1
3	47113HM8101	BOLT, luggage support	2
4	08322-11088	WASHER, luggage bolt & frm side	2
5	09106H06150	SCREW, frm side front	2
6	09169H06078	WASHER, frm side front	2
7	02142-06165	SCREW, frm side center	1
8	09148H05029	NUT, frm side rear up	3
9	09106H05150	SCREW, frm side rear up	3
10	02142-06165	SCREW, frm side low & frm	2
11	09106H05150	SCREW, frm side low & rear fender	6
12	45220HM8101	LOCK ASS'Y, seat striker rear	1
13	02122-06308	SCREW, seat striker	2
14	45280-35C00	CABLE COMP, seat lock	1
15	92414HF4500	LOCK, key set & seat lock guide	1
16	45700HG2610	LOCK ASS'Y, seat	1
17	45381HG2601	GUIDE, seat lock cable	1
18	92413HF4501	WASHER, key set & seat lock guide	1
19	47115HN9100	CAP, luggage support bolt	2
20	68134HP9250015	TAPE, rear seat & side cover(color:0DR)(GT650S ONLY)	2
	68134HP925010R	TAPE, rear seat & side cover(color:0DS,0DY,0MO)(GT65	2
21	68204HN9100	TAPE, rear seat & s/cover R	1
22	68206HN9100	TAPE, rear seat & s/cover L	1
23	68134H797600D7	TAPE, SIDE COV R(ONR)	1
	68134H797600D6	TAPE, SIDE COV R(ONS)	1
24	68136H797600D7	TAPE, SIDE COV L(ONR)	1
	68136H797600D6	TAPE, SIDE COV L(ONS)	1

FIG 37

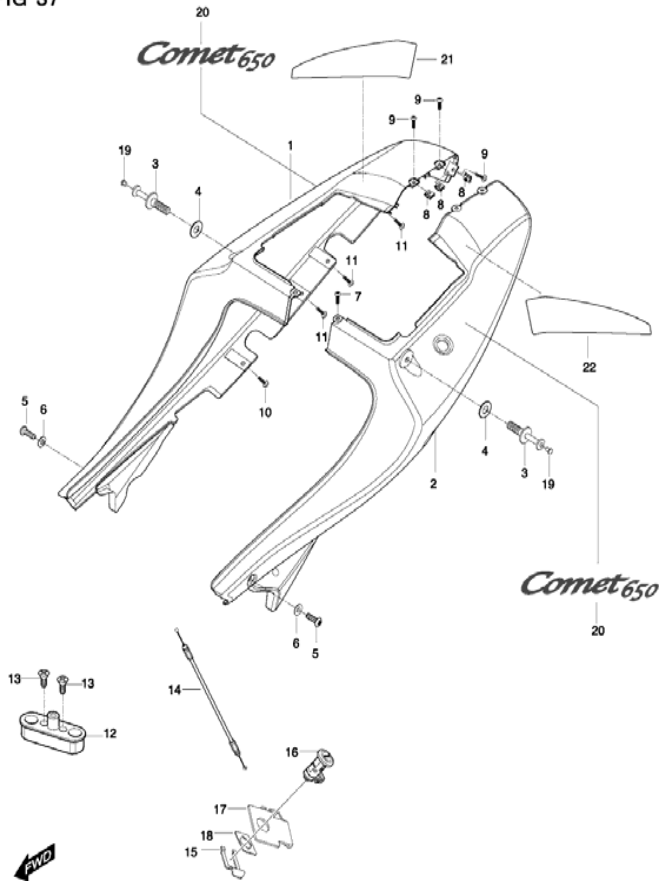


FIG 42. FRONT FENDER

GT650S,R TYPE

REF. NO.	2008' NEW TWO TONE PAT01/PAT02	PART NAME	Q'TY
----------	--------------------------------	-----------	------

1	53111HM81010BK	FENDER, front(0NR,0NS)
2	59430HN9100	CLAMP COMP, front brake hose R
3	59440HN9100	CLAMP COMP, front brake hose L
4	01517-08126	BOLT, front brake hose clamp R/L
5	09404-08403	CLAMP, speed sensor
6	09169H06078	WASHER, front fender

