



 **HYOSUNG**
MOTORS & MACHINERY INC.

REFERENCE

1.The detailed specification of each model are referred by the persons who are in charge of overseas marketing team, Hyosung.

2.Special demand

When you order any colored parts, please add color code to the end of parts number and it will be helpful to register your parts order.

※ Color Code

DR : RED

MO : YELLOW

SBK : BLACK

HYOSUNG MOTORS & MACHINERY INC.

FIG 1-1. CYLINDER HEAD/(FRONT)

| REF. NO. | PART NO. | PART NAME | Q'TY |
|----------|----------------|--------------------------------|------|
| 1 | 11110SN9100HPA | HEAD ASS'Y, cylinder front | 1 |
| 1-A | 11110SN9102HPA | HEAD ASS'Y, cylinder front | 1 |
| | | E/G No GT650-111554← | |
| 2 | 11171HN91000S1 | COVER, cylinder head front | 1 |
| 3 | 11173HN9100 | GASKET, cylinder head cover | 1 |
| 4 | 11141HN9101 | GASKET, cylinder head | 1 |
| 5 | 13110HN9102 | PIPE COMP, intake front | 1 |
| 6 | 09402-56208 | CLAMP, carburetor | 1 |
| 7 | 11131HN9100PCH | HOUSING, camshaft intake | 1 |
| 8 | 11132HN9100PCH | HOUSING, camshaft exhaust | 1 |
| 9 | 09482-00456 | PLUG, spark CR8E | 1 |
| 10 | 13131HN9100 | O-RING, intake pipe | 1 |
| 11 | 09109H07018 | BOLT, cylinder head cover NO.1 | 2 |
| 12 | 09161H11008 | WASHER, cylinder head cover | 2 |
| 13 | 09106H07017 | BOLT, cylinder head cover NO.2 | 2 |
| 14 | 09103H06002 | BOLT, camshaft housing | 12 |
| 15 | 09206-08001 | KNOCK PIN, camshaft housing | 4 |
| 16 | 09103H10001 | BOLT, cylinder head (M10) | 4 |
| 17 | 09160H10002 | WASHER, cylinder head bolt | 4 |
| 18 | 07120-06408 | BOLT, cylinder head NO.1 (M6) | 1 |
| 19 | 09103H06001 | BOLT, cylinder head NO.2 (M6) | 2 |
| 20 | 04213-13189 | PIN, cylinder knock | 4 |
| 21 | 01514-08128 | BOLT, oil gallery | 2 |
| 22 | 09168-08008 | GASKET, oil gallery bolt | 2 |
| 23 | 02122-06208 | SCREW, crank outer | 2 |
| 24 | 09280H19001 | O-RING, connector hose union | 1 |
| 25 | 17680HN9101 | UNION COMP, connector | 1 |
| 26 | 07110-06108 | BOLT | 1 |

FIG 1-1

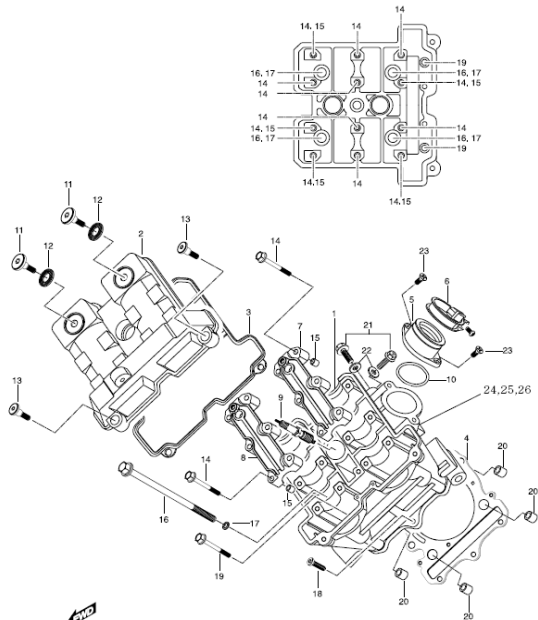


FIG 1-2. CYLINDER HEAD/(REAR)

| REF. NO. | PART NAME | Q'TY |
|----------|--|------|
| 1 | 11120SN9100HPA HEAD ASS'Y, cylinder rear | 1 |
| 1-A | 11120SN9102HPA HEAD ASS'Y, cylinder rear | 1 |
| | E/G No GT650-111554~ | |
| 2 | 11171HN91000S1 COVER, cylinder head rear | 1 |
| 3 | 11173HN9100 GASKET, cylinder head cover | 1 |
| 4 | 11141HN9101 GASKET, cylinder head | 1 |
| 5 | 13120HN9101 PIPE COMP, intake rear | 1 |
| 6 | 09402-56208 CLAMP, carburetor | 1 |
| 7 | 11131HN9100PCH HOUSING, camshaft intake | 1 |
| 8 | 11132HN9100PCH HOUSING, camshaft exhaust | 1 |
| 9 | 09482-00456 PLUG, spark CR8E | 1 |
| 10 | 13131HN9100 O-RING, intake pipe | 1 |
| 11 | 09109H07018 BOLT, cylinder head cover NO.1 | 2 |
| 12 | 09161H11008 WASHER, cylinder head cover | 2 |
| 13 | 09106H07017 BOLT, cylinder head cover NO.2 | 2 |
| 14 | 09103H06002 BOLT, camshaft housing | 12 |
| 15 | 09206-08001 KNOCK PIN, camshaft housing | 4 |
| 16 | 09103H10001 BOLT, cylinder head (M10) | 4 |
| 17 | 09160H10002 WASHER, cylinder head bolt | 4 |
| 18 | 07120-06408 BOLT, cylinder head NO.1 (M6) | 1 |
| 19 | 09103H06001 BOLT, cylinder head NO.2 (M6) | 2 |
| 20 | 04213-13189 PIN, cylinder head knock | 4 |
| 21 | 01514-08128 BOLT, oil gallery | 2 |
| 22 | 09168-08008 GASKET, oil gallery bolt | 2 |
| 23 | 02122-06208 SCREW, crank outer | 2 |
| 24 | 09280H19001 O-RING, connector hose union | 1 |
| 25 | 17680HN9101 UNION COMP, connector | 1 |
| 26 | 07110-06108 BOLT | 1 |

FIG 1-2

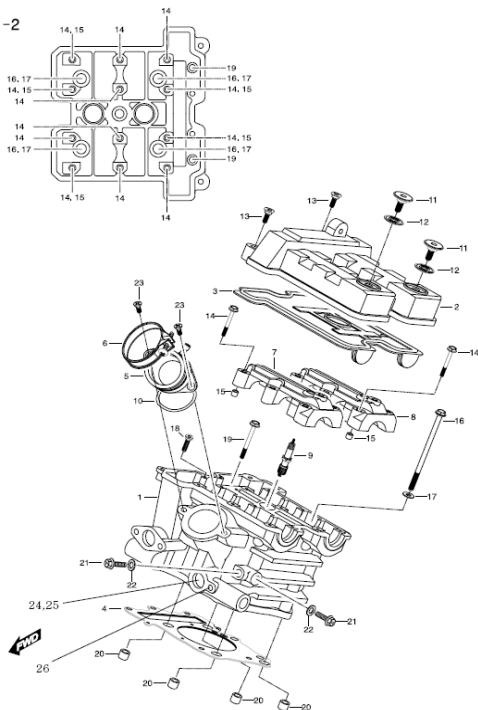


FIG 2. CYLINDER /FRONT, REAR

FIG 2

| REF. NO. | PAT01 | PART NAME | Q'TY |
|----------|----------------|--------------------------|------|
| 1 | 11210HN9100HPA | CYLINDER COMP, front | 1 |
| 2 | 11220HN9100HPA | CYLINDER COMP, rear | 1 |
| 3 | 11241HN9101 | GASKET, cylinder | 2 |
| 4 | 04213-13189 | PIN, cylinder head knock | 4 |
| 5 | 08316-16068 | NUT, cylinder (M6) | 4 |
| 6 | 01421-06258 | BOLT, cylinder stud (M6) | 4 |

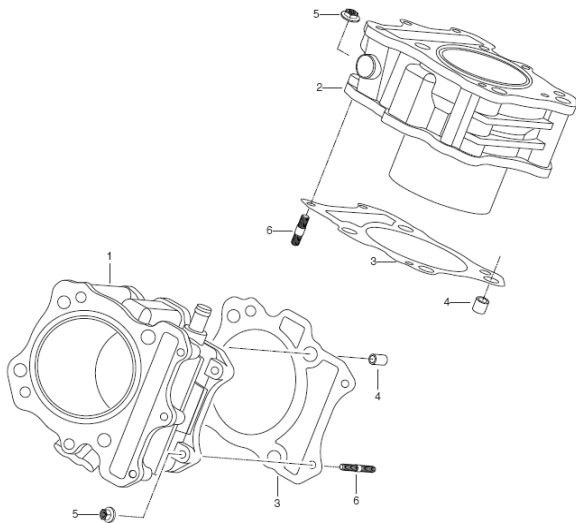
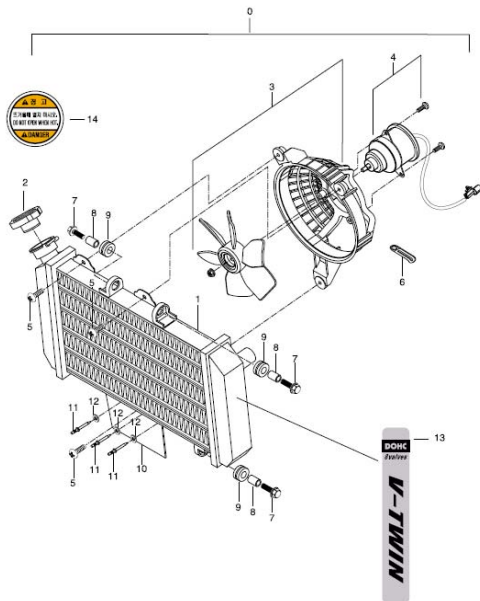


FIG 3. RADIATOR

| REF. NO. | PART NO. | PART NAME | Q'TY |
|----------|----------------|------------------------------------|------|
| 1 | 17710HN9102121 | RADIATOR COMP, water GT650S Black | 1 |
| 1-1 | 17710HN9102 | RADIATOR COMP, water GT650R Silver | 1 |
| 2 | 17720HN9100 | CAP COMP, radiator | 1 |
| 3 | 17800HN9102 | FAN ASS'Y, radiator | 1 |
| 4 | 17810HN9100 | MOTOR ASS'Y, radiator fan | 1 |
| 5 | 02142-05165 | BOLT, radiator fan | 3 |
| 6 | 09404-06429 | CLAMP, radiator fan | 1 |
| 7 | 09116-06143 | BOLT, radiator | 3 |
| 8 | 09180-06030 | SPACER, radiator | 3 |
| 9 | 09320-10015 | CUSHION, radiator | 3 |
| 10 | 17761HN9100 | MUD GUARD, radiator | 1 |
| 11 | 09229-03011 | RIVET, mud guard | 3 |
| 12 | 68928-09F00 | WASHER, mud guard rivet | 3 |
| 13 | 68150HN9100 | PLATE, radiator | 2 |
| 14 | 68170HN9100 | LABEL, radiator | 1 |

FIG 3



FWD

FIG 4. CRANK CASE

| REF. NO. | PAT01 | PART NAME | Q'TY |
|----------|----------------|---|------|
| 0 | 11300HN9100HPA | CRANKCASE ASS'Y | 1 |
| 1 | 11320HN9104PCC | CRANKCASE COMP, L ~KM4MP52CX61100252 | 1 |
| 1~1 | 11320HN9106PCC | CRANKCASE COMP, L | 1 |
| 2 | 11310HN9104PCC | CRANKCASE COMP, R KM4MP52CX61100253~ | 1 |
| 3 | 41171HN910103P | LINK, engine mounting L | 1 |
| 3-1 | 41171HN9101121 | LINK, engine mounting L(Black) | |
| 4 | 41161HN910103P | LINK, engine mounting R | 1 |
| 4-1 | 41161HN9101121 | LINK, engine mounting R(Black) | |
| 5 | 09206H18001 | PIN, crank case knock | 1 |
| 6 | 04213-13189 | PIN, crank case knock | 2 |
| 7 | 07120-08608 | BOLT, crank case M8 | 2 |
| 8 | 01547-06608 | BOLT, crank case M6 | 6 |
| 9 | 07120-08708 | BOLT, crank case M8 | 2 |
| 10 | 01547-06808 | BOLT, crankcase M6 | 6 |
| 11 | 02112-06958 | SCREW, crankcase | 2 |
| 12 | 01517-10458 | BOLT, engine mounting link & cylhead | 4 |
| 13 | 01514-08128 | BOLT, oil gallery | 2 |
| 14 | 09168-08008 | GASKET, oil gallery bolt | 2 |
| 15 | 31135HN91000S1 | BRACKET, starter motor | 1 |
| 16 | 01547-06258 | BOLT, starter motor braket | 2 |
| 17 | 01547-06308 | BOLT, starter motor | 2 |
| 18 | 17481HN9100 | UNION, water pump hose | 1 |
| 19 | 07110-06108 | BOLT, water hose union | 1 |
| 20 | 09280H04001 | O-RING, oil jet | 3 |
| 21 | 11440HN9100 | JET COMP, starter clutch oil | 1 |
| 22 | 02112-06108 | SCREW, oil jet | 3 |
| 23 | 08313-11068 | NUT, starter motor bracket | 2 |
| 24 | 09280H21001 | O-RING, water pump union | 1 |
| 25 | 11430HN9100 | JET COMP, piston rear oil | 1 |
| 26 | 11420HN9100 | JET COMP, piston front oil | 1 |
| 27 | 09103H08001 | BOLT, crank case M8(L100) | 2 |
| 28 | 09263H18001 | BG, clutch release cam No1 | 1 |
| 29 | 09263H10009 | BG, clutch release cam No2 | 1 |

FIG 4

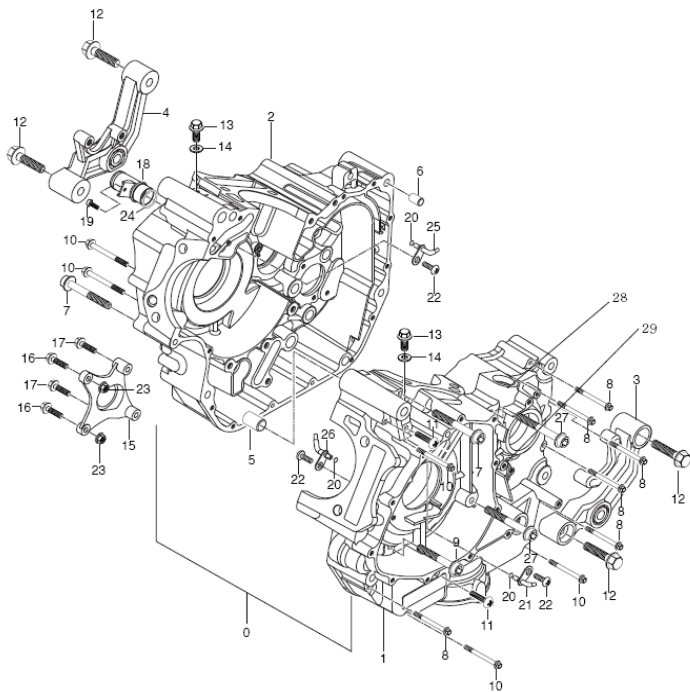


FIG 5. CRANK CASE COVER

FIG 5

| REF. NO. | PAT01 | PART NAME | Q'TY |
|----------|----------------|---|------|
| 1 | 11331SN9101HPA | COVER COMP, clutch (With oil lens & | 1 |
| 2 | 11351HN91020S1 | COVER , magneto | 1 |
| 3 | 11481HN9101 | GASKET, clutch cover (NA) | 1 |
| 4 | 11483HN9101 | GASKET, magneto cover | 1 |
| 5 | 09247-14026 | PLUG, oil check | 1 |
| 6 | 09168H14003 | GASKET, oil check plug | 1 |
| 7 | 09259-2000903P | PLUG, engine oil filler | 1 |
| 8 | 09280-17003 | O-RING, engine oil filler plug | 1 |
| 9 | 04213-13189 | PIN, clutch cover knock | 2 |
| 10 | 04213-09129 | PIN, magneto cover knock | 1 |
| 11 | 01547-06358 | BOLT, magneto cover | 8 |
| 12 | 01547-06558 | BOLT, magneto cover | 2 |
| 13 | 09404-06401 | CLAMP, clutch cover | 1 |
| 14 | 09259-2601503P | PLUG, crankshaft hole | 1 |
| 15 | 09280-22008 | O-RING, crankshaft hole plug | 1 |
| 16 | 01547-06358 | BOLT, clutch cover | 9 |
| 17 | 01547-06258 | BOLT, clutch cover outer | 4 |
| 18 | 01547-06708 | BOLT, clutch cover outer | 3 |
| 19 | 01547-06508 | BOLT, clutch cover outer | 1 |
| 20 | 09247H12102 | PLUG, TDC | 1 |
| 21 | 09168H12003 | GASKET, TDC plug | 1 |
| 22 | 11361HN91000S1 | COVER, engine sprocket | 1 |
| 23 | 11482HN9100 | O-RING, clutch outer cover | 1 |
| 24 | 09243-11005 | PLUG, oil gallery ~KM4MP51A541100124 | 3 |
| 25 | 01547-06258 | BOLT, engine sprocket cover | 3 |
| 26 | 11332HN9100 | LENS, oil level check | 1 |
| 27 | 11341HN9101HPA | COV CLUTCH, outer | 1 |
| 28 | 09168H06019 | GASKET, magneto cover bolt | 2 |
| 29 | 09404-06401 | CLAMP | 1 |
| 30 | 13353HP9401 | BRACKET, carburetor adjust | 1 |
| 31 | 01547-06408 | BOLT,magnet cover | 2 |
| 32 | 08321-31088 | LOCK, washer | 2 |

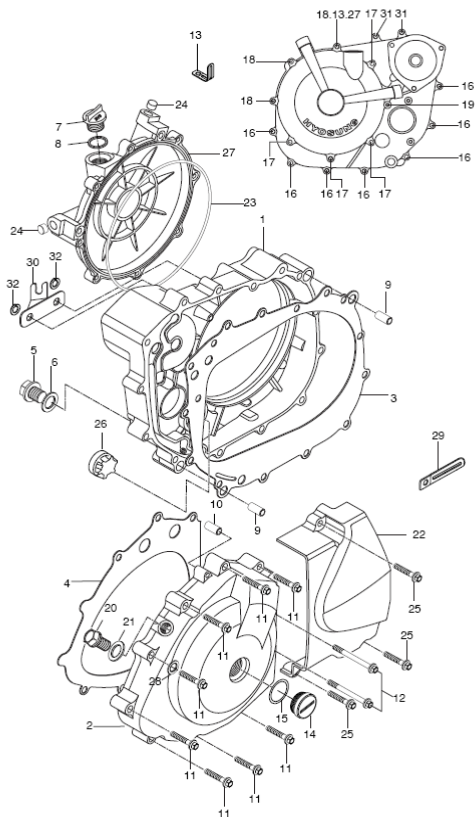


FIG 6. CRANK SHAFT

| REF. NO. | PAT01 | PART NAME | Q'TY |
|----------|----------------|--------------------------------------|------|
| 1 | 12200HN9100HPA | CRANK SHAFT ASS'Y | 1 |
| 2 | 12161HN9101 | ROD, connecting | 2 |
| 3 | 09263H37001 | BEARING, crank pin | 2 |
| 4 | 12211HN9100HPA | PIN COMP, crank | 1 |
| 5 | 12221HN9102CSA | CRANK SHAFT, R | 1 |
| 6 | 12261HN9102CSA | CRANK SHAFT, L | 1 |
| 7 | 09262H35001 | BEARING, crank shaft | 2 |
| 8 | 02112-06126 | SCREW, crank shaft oil seal retainer | 1 |
| 9 | 21111HN9100 | GEAR, primary drive | 1 |
| 10 | 21112HN9100 | GEAR, primary drive NO.2 | 1 |
| 11 | 12281HN9100 | RETAINER, crank shaft oil seal | 1 |
| 12 | 21114-35C00 | SPRING, primary drive gear | 3 |
| 13 | 08211-22422 | WASHER, primary drive gear thrust | 1 |
| 14 | 09140H18001 | NUT, primary drive gear | 1 |
| 15 | 09282-12001 | SEAL, crank shaft oil RH | 1 |
| 16 | 12111HN9101 | PISTON | 2 |
| 17 | 12151HN9101 | PIN, piston | 2 |
| 18 | 09381H20001 | CIRCLIP, piston pin | 4 |
| 20 | 12141HN9100 | RING, piston 1st | 2 |
| 21 | 12142HN9100 | RING, piston 2nd | 2 |
| 22 | 12144HN9100 | RING, piston oil | 2 |
| 23 | 12291HN9100 | JET, crank shaft RH | 1 |
| 24 | 09160H37001 | WASHER, connrod thrust | 3 |
| 25 | 17511HN9103 | GEAR, water pump drive | 1 |
| 26 | 09164H18001 | WASHER, water pump drive gear lock | 1 |
| 27 | 12212HN9100 | PLUG, crank pim | 2 |

FIG 6

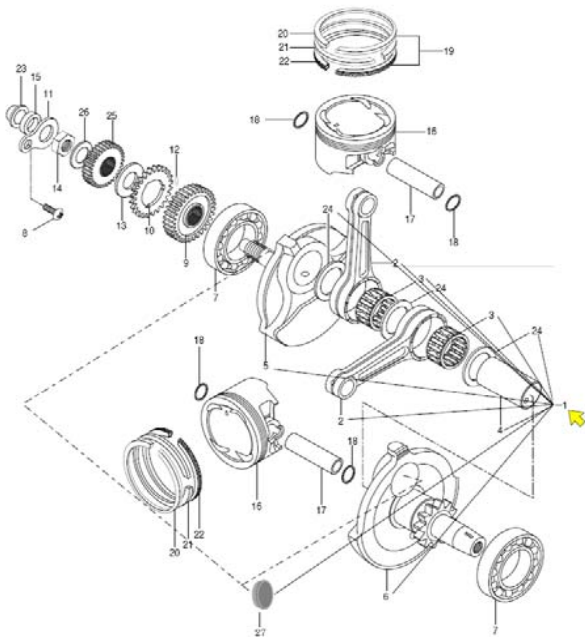


FIG 7. STARTER CLUTCH

| REF. NO. | PAT01 | PART NAME | Q'TY |
|----------|-------------|---|------|
| 1 | 12611HN9100 | GEAR, starter idle | 1 |
| 2 | 12612HN9100 | PIN,starter idle gear ~KM4MP52C661100152 | 1 |
| 2~1 | 09206-13003 | PIN,starter idle gear KM4MP52C661100153~ | 1 |
| 3 | 12614HN9101 | CLUTCH, starter one way | 1 |
| 4 | 12620HN9102 | GEAR COMP, starter clutch | 1 |
| 5 | 12620HN9101 | GEAR, starter clutch | 1 |
| 6 | 07110-08168 | BOLT, starter clutch | 6 |
| 7 | 09304H27001 | BUSH, starter clutch gear | 1 |

FIG.7

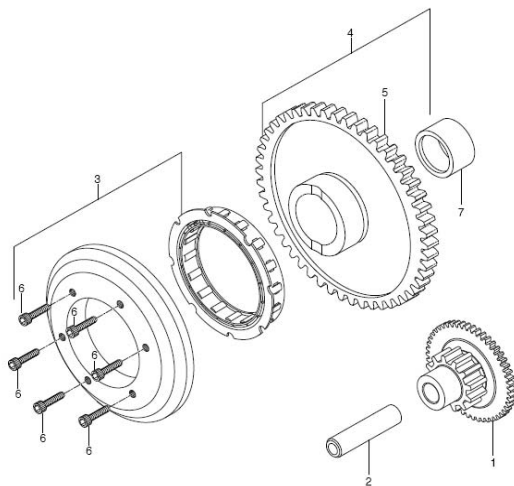


FIG 8. CAMSHAFT / VALVE

FIG 8

| REF. NO. | PAT01 | PART NAME | Q'TY |
|----------|----------------|-------------------------------|------|
| 1 | 12710HN9100HPA | CAMSHAFT ASS'Y, front intake | 1 |
| 2 | 12730HN9100HPA | CAMSHAFT ASS'Y, front exhaust | 1 |
| 3 | 12720HN9100HPA | CAMSHAFT ASS'Y, rear intake | 1 |
| 4 | 12740HN9100HPA | CAMSHAFT ASS'Y, rear exhaust | 1 |
| 5 | 12922HN9100 | SPRING, valve outer | 8 |
| 6 | 09289H04002 | SEAL, valve stem oil | 8 |
| 7 | 12933HN9100 | SEAT, valve spring | 8 |
| 8 | 12911HN9101 | VALVE, intake | 4 |
| 9 | 12912HN9101 | VALVE, exhaust | 4 |
| 10 | 12921HN9101 | SPRING, valve inner | 8 |
| 11 | 12931HN9100 | RETAINER, valve spring | 8 |
| 12 | 12932HJ8200 | COTTER, valve | 16 |
| 13 | 12892-05C00170 | SHIM, tappet (size 120-220) | 8 |
| 14 | 12881HN9100 | TAPPET | 8 |

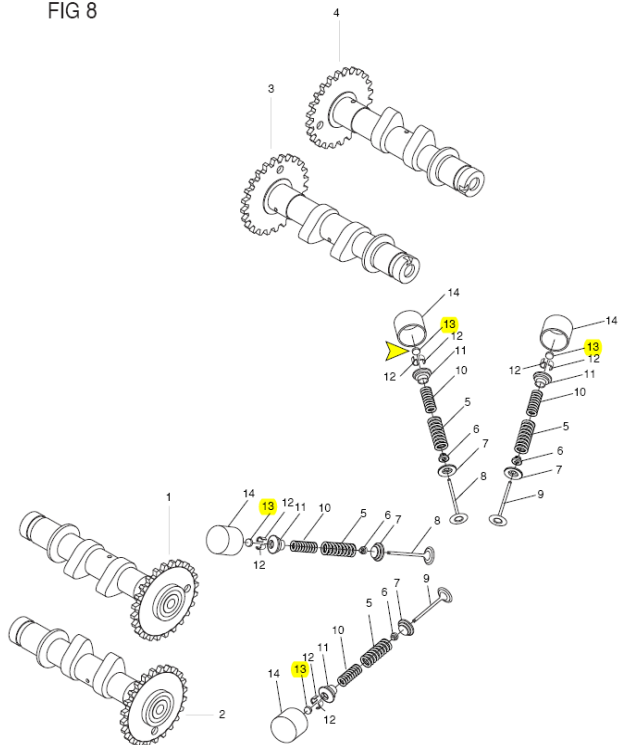


FIG 9. CAM CHAIN

| REF. NO. | PAT01 | PART NAME | QTY |
|----------|-------------|--|-----|
| 1 | 12760HN9100 | CHAIN COMP, camshaft drive | 2 |
| 2 | 12771HN9100 | GUIDE, camchain NO.1 | 2 |
| 3 | 12811HN9100 | TENSIONER, camchain ~ E/G No : GT650-113018 | 2 |
| 3-1 | 12811HN9101 | TENSIONER, camchain E/G No : GT650-113019 ~ | 2 |
| 4 | 08211-06181 | WASHER, camchain tensioner bolt | 2 |
| 5 | 12812H35C00 | BOLT, camchain tensioner | 1 |
| 5-1 | 12812HN9101 | BOLT, camchain tensioner (magneto) | 1 |
| 6 | 12837H31321 | GASKET, tensioner adjuster | 2 |
| 6-A | 12837HP8900 | GASKET, tensioner adjuster E/G No GT650-111554~ | 2 |
| 7 | 12830HN9102 | ADJUSTER ASS'Y, tensioner | 2 |
| 7-A | 12830HN9120 | ADJUSTER ASS'Y, tensioner E/G No GT650-111554~ | 2 |
| 8 | 07110-06208 | BOLT, tensioner adjuster | 4 |
| 9 | 12839-38200 | PLUG, adjuster | 2 |
| 10 | 12782HN9100 | GUIDE, camchain No.2 | 2 |
| 11 | 07110-06108 | BOLT, camchain guide No.2 | 6 |

FIG 9

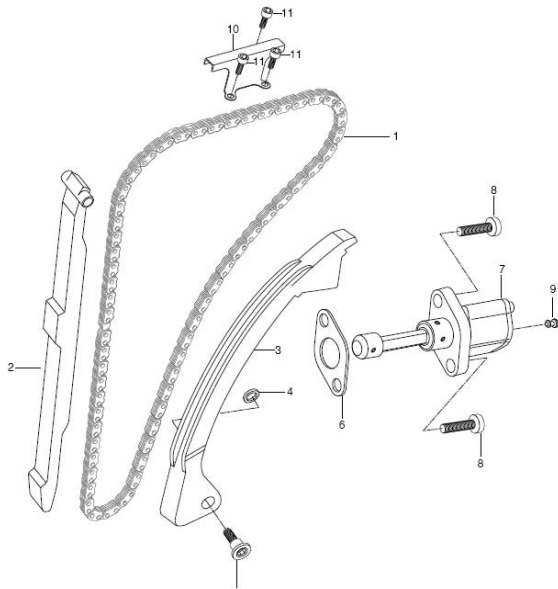


FIG 10

FIG 10. CARBURETOR ASSY

| REF. NO. | PAT01 | PART NAME | Q'TY |
|----------|-------------|-----------------------|------|
| 0 | 13200HP9400 | CARBURATOR ASS'Y | 1 |
| 1 | 13301HN9100 | MIXING BODY ASSY | 1 |
| 2 | 13302HN9100 | MIXING BODY ASSY | 1 |
| 3 | 13310HN9100 | DIAPHRAGM COVER | 2 |
| 4 | 13311HN9100 | COMPRESSION SPRING | 2 |
| 5 | 13338HN9100 | DIAPHRAGM | 2 |
| 6 | 13551HN9100 | PISTON VALVE(25KW) | 2 |
| 7 | 13312HN9100 | HOLDER | 2 |
| 8 | 13313HN9100 | O-RING | 2 |
| 9 | 13314HN9100 | COMPRESSION SPRING | 2 |
| 10 | 13316HN9100 | WASHER | 2 |
| 11 | 13315HG5100 | E-RING | 2 |
| 12 | 13305HN9100 | RING | 2 |
| 13 | 13333HN9100 | JET NEEDLE(JN) | 2 |
| 14 | 13323HN9100 | O-RING | 2 |
| 15 | 13339HN9100 | FUNNER | 2 |
| 16 | 13320HN9100 | SCREW | 4 |
| 17 | 13364HN9100 | PILOT JET | 2 |
| 18 | 13309HG5100 | WASHER | 2 |
| 19 | 13307HN9100 | COMPRESSION SPRING | 2 |
| 20 | 13308HN9100 | ADJUSTER (PS) | 2 |
| 22 | 13306HG5100 | O-RING | 2 |
| 23 | 13365HN9100 | PILOT JET(PJ) | 2 |
| 24 | 13327HN9100 | JET HOLDER | 2 |
| 25 | 13324HN9100 | MAIN JET (MJ) | 2 |
| 26 | 13375HN9100 | NEEDLE VALVE ASSY(VS) | 2 |
| 27 | 13378HN9100 | PIN | 2 |
| 29 | 13379HN9100 | FLOAT ASSY | 2 |
| 30 | 13377HG5100 | SCREW | 2 |
| 31 | 13354HG5100 | SCREW | 6 |

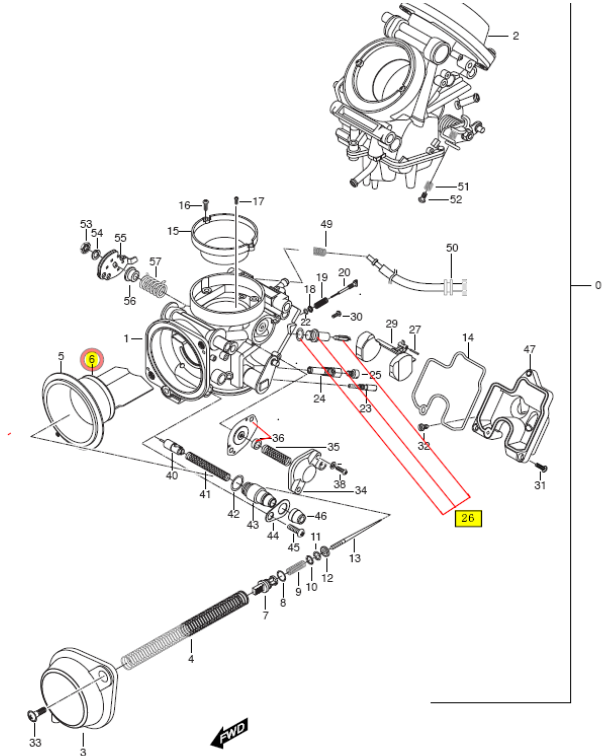


FIG 10-1. CARBURETOR ASSY

FIG 10

| REF. NO. | PAT01 | PART NAME | Q'TY |
|----------|-------------|----------------------|------|
| 32 | 13376HN9100 | SCREW(REST) | 2 |
| 33 | 13326HN9100 | SCREW(REST) | 4 |
| 34 | 13332HN9100 | COVER ASS.Y | 2 |
| 35 | 13334HN9100 | COMPRESSION SPRING | 2 |
| 36 | 13335HN9100 | DIAPHRAGM ASS'Y | 2 |
| 38 | 13336HN9100 | SCREW | 4 |
| 40 | 13369HN9100 | PLUNGER ASSY | 2 |
| 41 | 13368HN9100 | COMPRESSION SPRING | 2 |
| 42 | 13370HN9100 | O-RING | 2 |
| 43 | 13367HN9100 | GUIDE HOLDER | 2 |
| 44 | 13337HN9100 | PLATE | 2 |
| 45 | 13374HN9100 | SCREW | 2 |
| 46 | 13366HN9100 | CAP | 2 |
| 47 | 13352HN9100 | FLOAT BODY | 2 |
| 49 | 13386HN9100 | COMPRESSION SPRING | 2 |
| 50 | 13351HP9400 | ADJUSTER (GT650R) | 2 |
| | 13351HN9100 | ADJUSTER (GT650/R) | 2 |
| 51 | 13356HN9100 | COMPRESSION SPRING | 2 |
| 52 | 13373HG5100 | SCREW | 2 |
| 53 | 13342HG5100 | NUT | 2 |
| 54 | 13343HG5100 | SPRING WASHER | 2 |
| 55 | 13340HN9100 | THROTTLE LEVER ASS'Y | 2 |
| 56 | 13319HN9100 | RING | 2 |
| 57 | 13344HN9100 | TORSING SPRING | 2 |

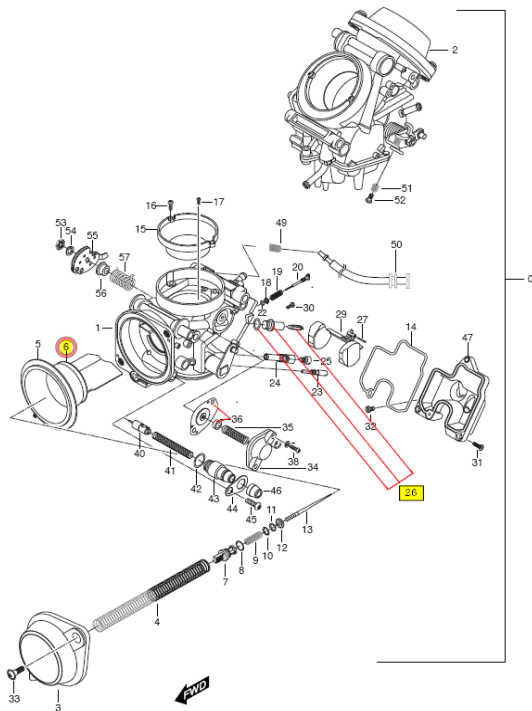


FIG 11. CARBURETOR FITTINGS

FIG 11

| REF. NO. | PAT01 | PART NAME | Q'TY |
|----------|-------------|-------------|------|
| 0 | | | |
| 1 | 13325HN9100 | HOSE | 1 |
| 3 | 44199HM7900 | HOSE FUEL | 1 |
| 4 | 13330HN9100 | HOSE | 1 |
| 5 | 13360HG5100 | NIPPLE | 1 |
| 6 | 13383HN9100 | CLIP | 4 |
| 7 | 13329HN9100 | HOSE | 2 |
| 8 | 13385HN9100 | CLIP | 1 |
| 10 | 13328HN9100 | PLATE | 1 |
| 11 | 13341HN9100 | PLATE | 1 |
| 12 | 13384HN9100 | SCREW | 4 |
| 13 | 13353HN9100 | BOLT | 2 |
| 14 | 13348HN9100 | LEVER ASS'Y | 1 |
| 15 | 13347HN9100 | PIN | 2 |
| 16 | 13318HN9100 | WASHER | 2 |

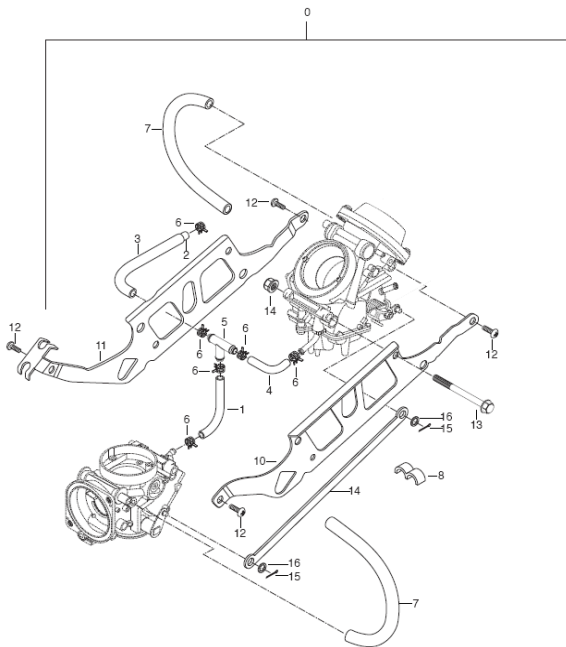
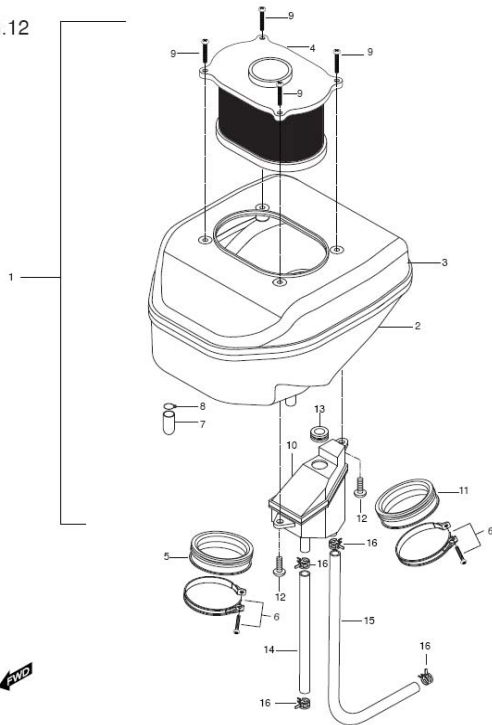


FIG 12. AIR CLEANER&CHAMBER

| REF. NO. | PAT01 | PART NAME | Q'TY |
|----------|-------------|---------------------------------|------|
| 1 | 13700HN9104 | CLEANER ASS'Y, air | 1 |
| 2 | 13720HN9102 | CASE, air cleaner | 1 |
| 3 | 13740HN9101 | CAP COMP, air cleaner | 1 |
| 4 | 13780HM8100 | FILTER COMP, air cleaner | 1 |
| 5 | 13871HN9100 | TUBE, outlet front | 1 |
| 6 | 09402-56208 | CLAMP, outlet tube | 2 |
| 7 | 13895HF4500 | PLUG, oil drain | 1 |
| 8 | 09401-14301 | CLIP, oil drain plug | 1 |
| 9 | 02142-05165 | SCREW, air cleaner filter | 4 |
| 10 | 16810HN9101 | TANK ASS'Y, breather oil return | 1 |
| 11 | 13881HN9100 | TUBE, outlet | 1 |
| 12 | 03241-05165 | SCREW | 2 |
| 13 | 09320-12029 | CUSHION, oil return tank | 1 |
| 14 | 16821HN9101 | HOSE, breather oil return No.1 | 1 |
| 15 | 16831HN9100 | HOSE, breather oil return No.2 | 1 |
| 16 | 09401H14401 | CLAMP, breather oil return | 4 |

FIG.12

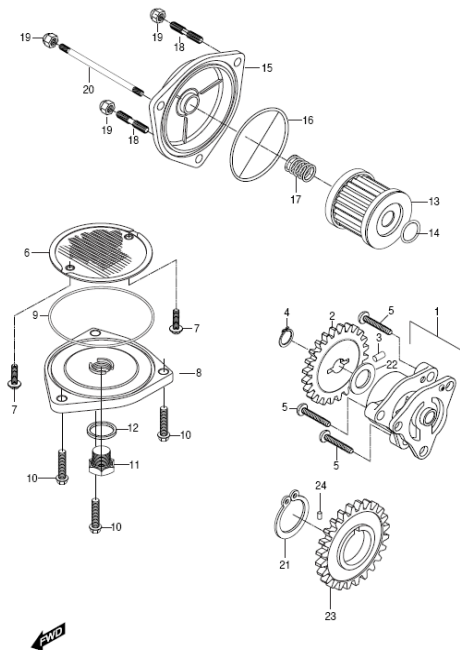


FWD

FIG 14. OIL PUMP

FIG 14

| REF. NO. | PART NAME | Q'TY |
|----------|---|------|
| 1 | 16400HN9101 PUMP ASS'Y, oil | 1 |
| 2 | 16331HN9101 GEAR, oil pump driven | 1 |
| 3 | 09261H04001 PIN, oil pump driven gear | 1 |
| 4 | 08331-31109 CIRCLIP, oil pump driven gear | 1 |
| 5 | 02112-06258 SCREW, oil pump | 3 |
| 6 | 16520HN9100 STRAINER COMP, engine oil | 1 |
| 7 | 02112-95126 SCREW, engine oil strainer | 2 |
| 8 | 16523HN9100 CAP, oil strainer | 1 |
| 9 | 09280H82001 O-RING, oil strainer cap | 1 |
| 10 | 01547-06208 BOLT, oil strainer cap | 3 |
| 11 | 09247-14002 PLUG, oil drain | 1 |
| | ~KM4MP51C561101486 | |
| 11~1 | 09247-14019 PLUG, oil drain | 1 |
| | KM4MP51C561101487~ | |
| 12 | 09168H14003 GASKET, drain plug | 1 |
| 13 | 16510HN9101HAS FILTER COMP, engine oil | 1 |
| 14 | 09280H16001 O-RING, oil filter | 1 |
| 15 | 16512HN91010S1 CAP, oil filter | 1 |
| 16 | 09280H69001 O-RING, oil filter cap | 1 |
| 17 | 09440H18001 SPRING, oil filter cap | 1 |
| 18 | 01421-06128 BOLT, oil filter cap stud | 2 |
| 19 | 08313-11068 NUT, oil filter cap | 3 |
| 20 | 01421-06758 BOLT, oil filter cap stud | 1 |
| 21 | 08331-31389 CIRCLIP, oil pump drive gear | 1 |
| 22 | 08221-10185 SHIM, oil pump driven gear | 1 |
| 23 | 16321HN9103 GEAR, oil pump drive | 1 |
| 24 | 09261H06001 PIN, oil pump drive gear | 1 |



FWD

FIG 15. WATER PUMP

| REF. NO. | PART NAME | Q'TY |
|------------|--|----------|
| 1 | 17400HN9101 PUMP ASS'Y, water | 1 |
| 1-A | 17400HN9102 PUMP ASS'Y, water | 1 |
| | Only for 17521HN9105(PL driven gear) | |
| 1-1 | 17410HN9100 CASE COMP,WATER PUMP | |
| 1-2 | 17433HN9100 O-RING,WATER PUMP | |
| 2 | 01547-06308 BOLT, water pump | 2 |
| 3 | 17491HN9100 HOSE, water pump outlet | 1 |
| 4 | 09401H26402 CLAMP, water pump hose | 2 |
| 5 | 17521HN9102 GEAR, water pump driven | 1 |
| | -KM4MP51C371103321 | |
| 5-A | 17521HN9105 GEAR, water pump driven | 1 |
| | KM4MP51C371103322~ | |
| 6 | 08221-10185 SHIM, water pump driven gear | 1 |
| 7 | 08331-31109 CIRCLIP, water pump driven gear | 1 |
| 8 | 09261H04001 PIN, water pump driven gear | 1 |

FIG 15

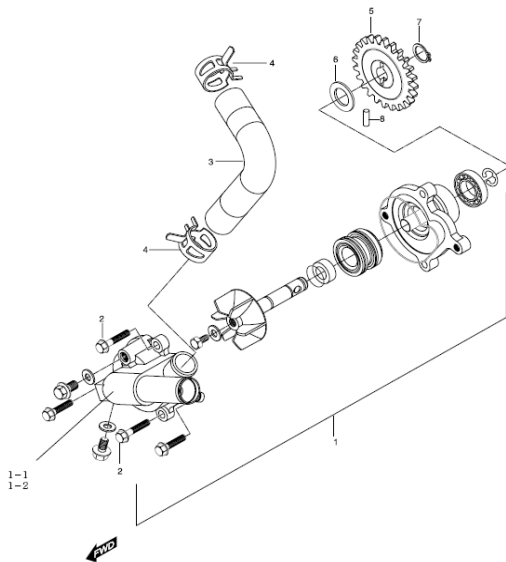


FIG 16. RADIATOR HOSE

| REF. NO. | PART NAME | Q'TY |
|----------|--|------|
| 0 | 17610HN9100HPA THERMOSTAT COMP | 1 |
| 1 | 17621SN9102HPA CONNECTOR COMP, thermostat inlet | 1 |
| 2 | 17631HN91000S1 CAP, thermostat connector | 1 |
| 3 | 17741HN9101 HOSE, radiator inlet | 1 |
| 4 | 17751HN9101 HOSE, radiator outlet | 1 |
| 5 | 09401H26402 CLAMP, radiator inlet hose radiator side | 3 |
| 6 | 09401H31402 CLAMP, radiator inlet hose thermostat side | 1 |
| 7 | 01547-06208 BOLT, thermostat connector | 2 |
| 8 | 17641HN9100 HOSE, thermostat bypass | 1 |
| 9 | 09401H13401 CLAMP, thermostat bypass hose | 2 |
| 10 | 17661HN9100 HOSE, connector inlet | 2 |
| 11 | 09401H24402 CLAMP, connector inlet hose | 4 |
| 12 | 17610HN9100 THERMOSTAT COMP | 1 |
| 13 | 17650HN9100 GAUGE UNIT, water temperature | 1 |
| 14 | 17981HN9100 HOSE, reserver tank inlet | 1 |
| 15 | 09401H11403 CLAMP, reserver tank | 2 |
| 16 | 17911HN9104 TANK COMP, reserver | 1 |
| 17 | 09136-06017 SCREW, reserver tank | 2 |
| 18 | 17982HN9100 HOSE, reserver tank overflow | 1 |
| 19 | 17921HN9100 CAP, reserver tank | 1 |
| 20 | 17860HN9100 SWITCH ASS'Y, thermo | 1 |
| 21 | 17912HN9100 CUSHION, reserver tank | 1 |
| 22 | 09401-09101 CAP, reserver tank overflow | 1 |
| 23 | 17622HN9101 UNION,thermost connector | 1 |
| 23-A | 17622HN9102 UNION,thermost connector | 1 |

-E/G No:GT650-108818

FIG 16

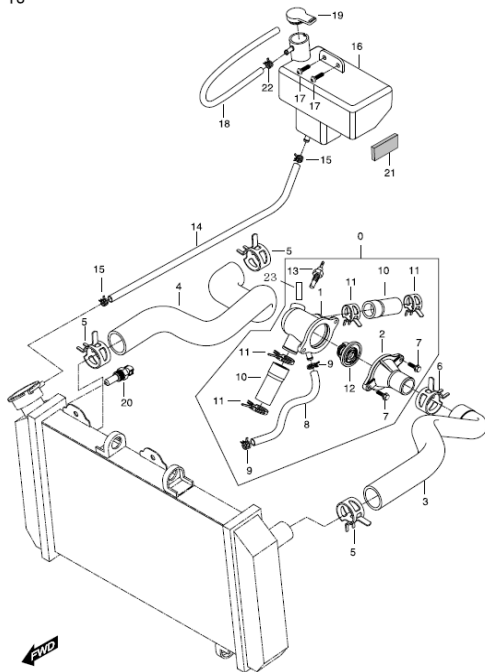


FIG 17. 2ND AIR

FIG.17

| REF. NO. | PAT01 | PART NAME | Q'TY |
|----------|-------------|-------------------------------|------|
| 1 | 18500HN9100 | VALVE ASS'Y, 2ND air | 2 |
| 2 | 18631HN9101 | HOSE, 2ND air pipe | 2 |
| 3 | 01547-06208 | BOLT, 2ND air valve | 4 |
| 4 | 09401H09401 | CLAMP, carburetor vacuum hose | 1 |
| 5 | 09401H13401 | CLAMP, 2ND air pipe | 4 |
| 6 | 18615HN9101 | GASKET, 2ND air pipe | 2 |
| 7 | 01107-06168 | BOLT, 2ND air pipe | 4 |
| 8 | 18610HN9101 | PIPE COMP, 2ND air front | 1 |
| 9 | 18620HN9101 | PIPE COMP, 2ND air rear | 1 |
| 10 | 18691HN9100 | HOSE, carburetor vacuum front | 1 |
| 11 | 18651HN9101 | HOSE, 2ND air cleaner RH | 1 |
| 12 | 18661HN9100 | HOSE, 2ND air cleaner LH | 1 |
| 13 | 18681HN9100 | HOSE, 2ND vacuum LH | 1 |
| 14 | 18671HN9100 | HOSE, 2ND vacuum RH | 1 |
| 15 | 09401H08401 | CLAMP, 2ND vacuum hose | 5 |
| 16 | 09367H05001 | NIPPLE, fuel pump joint | 1 |
| 17 | 09401H14401 | CLAMP, 2ND air cleaner hose | 4 |

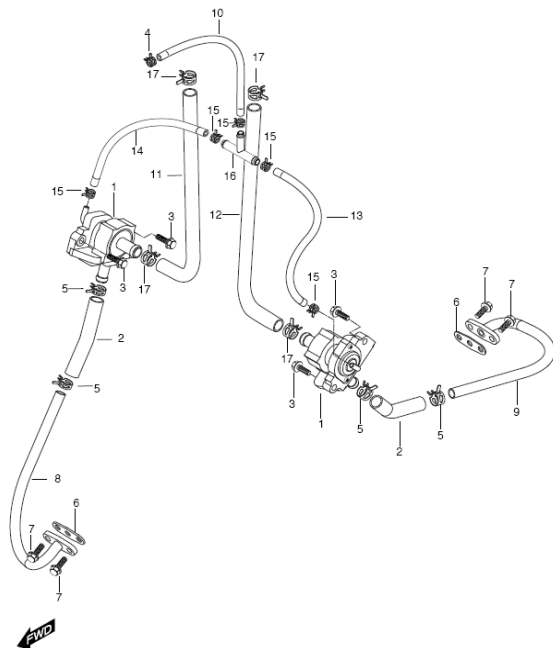


FIG 18. CLUTCH ASSY

FIG 18

| REF. NO. | PAT01 | PART NAME | Q'TY |
|----------|--------------------|---|------|
| 1 | 21210HN9101HPA | GEAR COMP, primary driven | 1 |
| 2 | 09167H20001 | WASHER, clutch sleeve hub thrust | 1 |
| 3 | 21411HN9102 | HUB, clutch sleeve | 1 |
| 4 | 09160H20003 | WASHER, primary driven gear thrust | 1 |
| 5 | 09140H20001 | NUT, clutch sleeve hub | 1 |
| 6 | 23114HN9100 | ROD, clutch push | 1 |
| 6-1 | 23115HN9100 | ROD,CLUTCH PUSH NO.2 | 1 |
| 7 | 23110HN9102 | ROD COMP, clutch push M | 1 |
| 8 | 09136-06017 | STOPPER, clutch release camshaft oil seal | 1 |
| 9 | 21441HN9100 | PLATE, clutch drive | 6 |
| 10 | 21451HN9100 | PLATE, clutch driven | 6 |
| 11 | 23121-38201 | PIECE, clutch push | 1 |
| 12 | 09134-06010 | SCREW, clutch release adjuster | 1 |
| 13 | 08310-22068 | NUT, clutch release adjust | 1 |
| 14 | 09263H15001 | BEARING, clutch release thrust | 1 |
| 15 | 09160-15015 | WASHER, clutch release thrust | 1 |
| 16 | 21462HN9101 | DISK, clutch pressure | 1 |
| 17 | 09440H20003 | SPRING, clutch | 6 |
| 18 | 21471HN9102 | RETAINER, clutch spring | 6 |
| 19 | 09100H06009 | BOLT, clutch spring | 6 |
| 20 | 23271HN9100 | ARM, clutch release | 1 |
| 21 | 09282H12002 | OIL SEAL, clutch release camshaft | 1 |
| 22 | 08211-12281 | THRUST WASHER, clutch release cam shaf | 1 |
| 23 | 23122HN9100 | SHAFT, clutch release cam | 1 |
| 24 | 01107-06208 | BOLT, clutch release arm | 1 |
| 25 | 21442HN9100 | PLATE, clutch drive No.2 | 1 |
| 26 | 21443HN9100 | WASHER, clutch wave | 1 |
| 27 | 21444HN9101 | SEAT, clutch wave washer | 1 |
| 28 | 21251HN9102 | SPACER, primary driven gear | 1 |

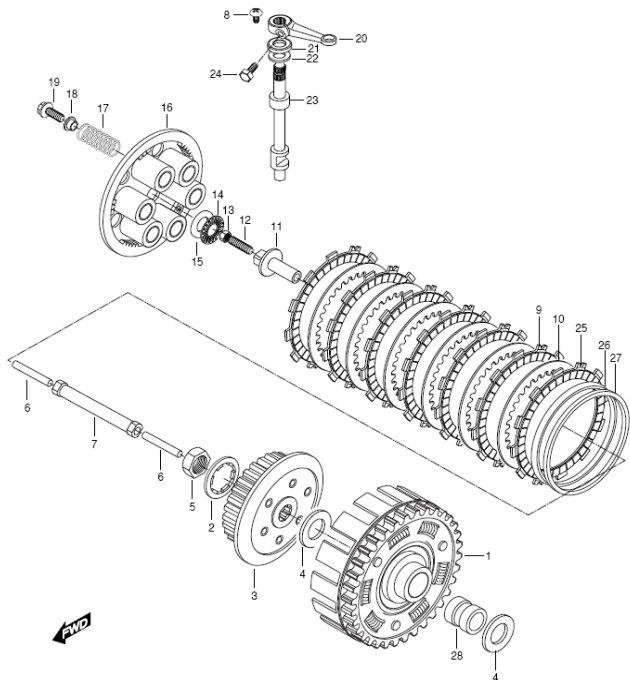


FIG 19. TRANSMISSION

| REF. NO. | PART NAME | Q'TY |
|------------------|---------------------------------------|------|
| 24200HN9100HPA | MISSION GEAR SET | |
| 24121HN9104HPA | SHAFT, counter ASS'Y | |
| 24131HN9100HPA | SHAFT, drive ASS'Y | |
| 1 24130HN9100HPA | SHAFT COMP, drive | 1 |
| 2 24121HN9104 | SHAFT COMP, counter | 1 |
| 3 24361HN9101 | GEAR, 6th driven | 1 |
| 4 24221HN9102 | GEAR, 2nd drive | 1 |
| 5 24231HN9101 | GEAR, 3rd & 4th drive | 1 |
| 6 24251HN9101 | GEAR, 5th drive | 1 |
| 7 09380H25001 | CIRCLIP, 5th drive gear | 1 |
| 8 08113-63040 | BEARING, counter shaft R(#6304) | 1 |
| 9 08123-63050 | BEARING, counter shaft L(#6305) | 1 |
| 10 24741HN9100 | RETAINER, counter shaft bearing | 1 |
| 11 02112-06128 | SCREW, counter shaft bearing retainer | 1 |
| 12 09159H20001 | NUT, engine sprocket | 1 |
| 13 24311HN9100 | GEAR, 1st driven | 1 |
| 14 09181H20001 | SHIM, 1st driven gear | 1 |
| 15 24312HN9100 | BUSH,1st driven gear | 1 |
| 16 24321HN9101 | GEAR, 2nd driven | 1 |
| 17 09380H25001 | CIRCLIP, 4th driven gear | 1 |
| 18 24331HN9101 | GEAR, 3rd driven | 1 |
| 19 09167H25001 | THRUST WASHER, 4th driven gear | 1 |
| 20 24341HN9100 | GEAR, 4th driven | 1 |
| 21 24351HN9101 | GEAR, 5th driven | 1 |
| 22 09167H25002 | WASHER, 3rd &4th driven gear thrust | 1 |
| 23 08113-62030 | BEARING, drive shaft R | 1 |
| 24 08123-63050 | BEARING, drive shaft L | 1 |
| 25 09380H25001 | CIRCLIP, 3rd driven gear | 1 |
| 26 09167H25001 | THRUST WASHER, 3rd driven gear | 1 |

FIG.19

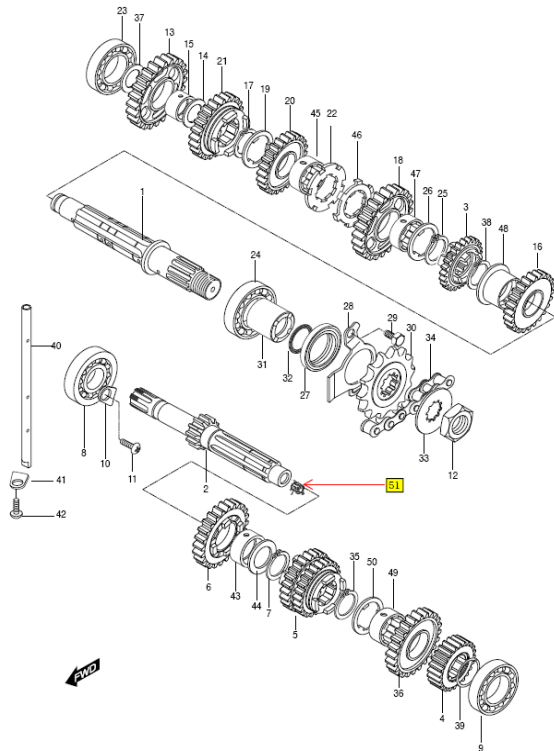


FIG 19-1. TRANSMISSION

| REF. NO. | PART NO. | PART NAME | Q'TY |
|----------|-------------|---------------------------------------|------|
| 27 | 09282H36002 | OIL SEAL, drive shaft | 1 |
| 28 | 24751HN9100 | RETAINER, drive shaft oil seal | 1 |
| 29 | 01107-06106 | RETAINER, drive shaft oil seal | 1 |
| 30 | 27510HN9100 | RETAINER, drive shaft oil seal | 1 |
| 31 | 27531HN9100 | SPACER, engine sprocket | 1 |
| 32 | 09280H24001 | O-RING, engine sprocket | 1 |
| 33 | 09167H25004 | LOCK WASHER, engine sprocket | 1 |
| 34 | 27600HN9100 | CHAIN ASS'Y, drive 108L(#525) | 1 |
| 35 | 09380H25001 | CILCLIP, 6th driven gear | 1 |
| 36 | 24261HN9101 | GEAR, 6th drive | 1 |
| 37 | 09181H17001 | SHIM, drive shaft | 1 |
| 38 | 09380H25001 | CILCLIP, 2nd drive gear | 1 |
| 39 | 09380H22001 | CILCLIP, 2nd drive gear | 1 |
| 40 | 24761HN9102 | PIPE, transmission oil | 1 |
| 41 | 24741HN9100 | RETAINER, transmission oil pipe | 1 |
| 42 | 02112-06128 | SCREW, transmission oil pipe retainer | 1 |
| 43 | 24252HN9100 | BUSH, 5th drive gear | 1 |
| 44 | 09181H25001 | SHIM, 5th drive gear | 1 |
| 45 | 24332HN9100 | BUSH, 4th drive gear | 1 |
| 46 | 09167H25003 | WASHER, thrust washer lock | 1 |
| 47 | 24332HN9100 | BUSH, 3rd driven gear | 1 |
| 48 | 24322HN9100 | BUSH, 2nd driven gear | 1 |
| 49 | 24262HN9100 | BUSH, 6th drive gear | 1 |
| 50 | 09167H25001 | WASHER, 6th drive gear | 1 |
| 51 | 24125-38201 | BUSH | 2 |

FIG.19

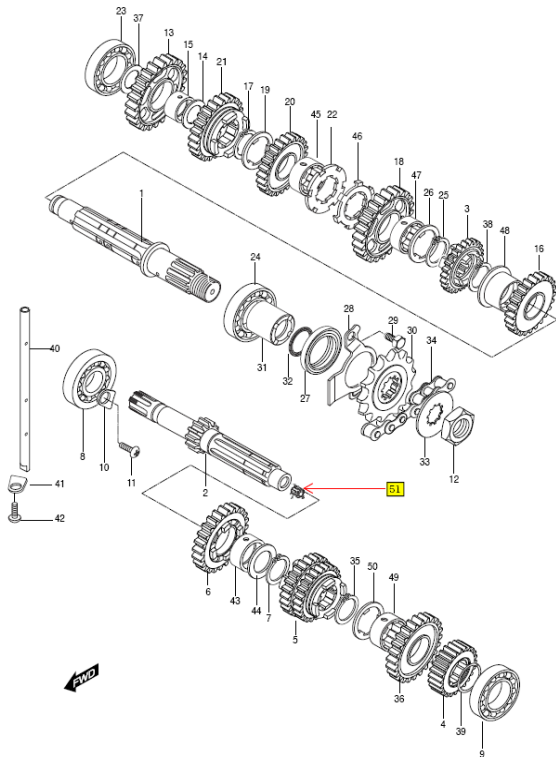


FIG 20. GEAR SHIFTING

| REF. NO. | PAT01 | PART NAME | Q'TY |
|----------|-------------|--|------|
| 1 | 25231HN9100 | FORK, gear shift No.3 | 1 |
| 2 | 25211HN9100 | FORK, gear shift No.1 | 1 |
| 3 | 25411HN9100 | SHAFT, gear shift fork No.1 | 1 |
| 4 | 25421HN9100 | SHAFT, gear shift fork No.2 | 1 |
| 5 | 25310HN9102 | CAM COMP, gear shift | 1 |
| 6 | 25221HN9100 | FORK, gear shift No.2 | 1 |
| 7 | 25380HN9104 | PLATE COMP, gear shift cam | 1 |
| 8 | 04221-04089 | PIN, gear shift cam plate | 2 |
| 9 | 25321HN9100 | BOLT, gear shift cam plate | 1 |
| 10 | 24741HN9100 | RETAINER, gear shift cam bearing R | 2 |
| 11 | 09262H25002 | BEARING, gear shift cam R | 2 |
| 12 | 09261-04002 | PIN, gear shift cam plate | 6 |
| 13 | 02122-06128 | SCREW, gear shift cam bearing retainer | 2 |
| 14 | 09263H25001 | BEARING, gear shift cam L | 1 |
| 15 | 09440-04010 | SPRING, gear shift switch contact | 1 |
| 16 | 09209-05011 | CONTACT, gear shift switch | 1 |
| 17 | 09440H17001 | SPRING, gear shift cam drive plate | 1 |
| 18 | 09181H14001 | SHIM, gear shift shaft thrust | 2 |
| 19 | 09280-26003 | O-RING, gear shift switch | 1 |
| 20 | 37720HN9101 | SWITCH ASS'Y, gear shift | 1 |
| 21 | 02112-95208 | SCREW, gear shift switch | 2 |
| 22 | 09140-06011 | NUT, gear shift link rod L (M6) | 2 |
| 23 | 09448H17002 | SPRING, gear shift cam stopper | 1 |
| 24 | 09111-06019 | BOLT, gear shift cam stopper | 1 |
| 25 | 25350HN9100 | STOPPER COMP, gear shift cam | 1 |
| 26 | 08211-06121 | WASHER, gear shift shaft thrust | 1 |
| 27 | 25521HN9100 | PLATE, gear shift cam drive | 1 |
| 28 | 25510HN9101 | SHAFT COMP, gear shift | 1 |
| 29 | 09444H20011 | SPRING, gear shift shaft return | 1 |
| 30 | 25525HP9200 | ROD, gear shift link(L=240) | 1 |
| 30-1 | 25525HP9250 | ROD, gear shift link(L=258) | 1 |
| 31 | 25671-01000 | STOPPER, gear shift arm | 1 |
| 32 | 09160H14003 | WASHER, gear shift shaft thrust | 1 |
| 33 | 08331-31149 | CIRCLIP, gear shift shaft | 3 |
| 34 | 09283H14002 | SEAL, gear shift shaft oil | 1 |
| 35 | 25520-32C00 | ARM COMP, gear shift link | 1 |
| 36 | 01107-06208 | BOLT, gear shift link arm (M6X10) | 1 |

FIG 20

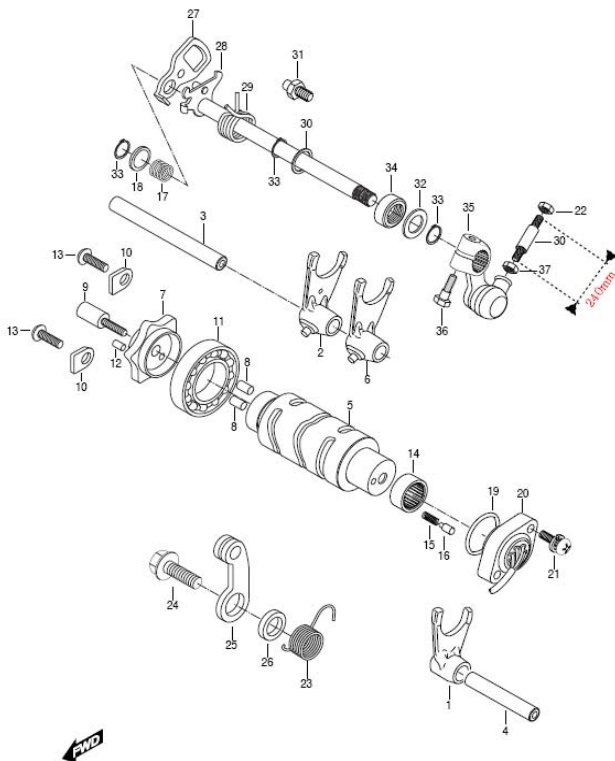


FIG 21. STARTING MOTOR

FIG 21

| REF. NO. | PAT01 | PART NAME | Q'TY |
|----------|-------------|-----------------------------|------|
| 1 | 31100HN9100 | MOTOR ASS'Y, starting | 1 |
| 2 | 08316-16068 | NUT, starter motor terminal | 1 |
| 3 | 08319-21068 | NUT, start motor bracket | 2 |
| 4 | 01547-06308 | BOLT, start motor bracket | 2 |

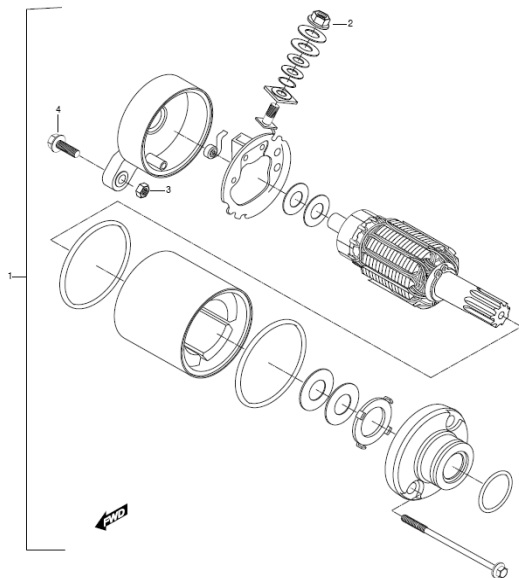


FIG 22. MAGNETO ASSY

FIG 22

| REF. NO. | PAT01 | PART NAME | Q'TY |
|----------|-------------|----------------------------------|------|
| 1 | 32100HN9130 | MAGNETO ASS'Y | 1 |
| 2 | 32101HN9101 | STATOR ASS'Y | 1 |
| 3 | 32102HN9130 | ROTOR, fly wheel For 32100HN9130 | 1 |
| 4 | 02142-05128 | SCREW, pick-up coil(M5X12) | 2 |
| 5 | 07110-06308 | SCREW, magneto stator(M5X30) | 3 |
| 6 | 09103H12001 | BOLT, magneto | 1 |
| 7 | 09420H04001 | KEY, magneto | 1 |
| 8 | 09160H12003 | WASHER, magneto | 1 |

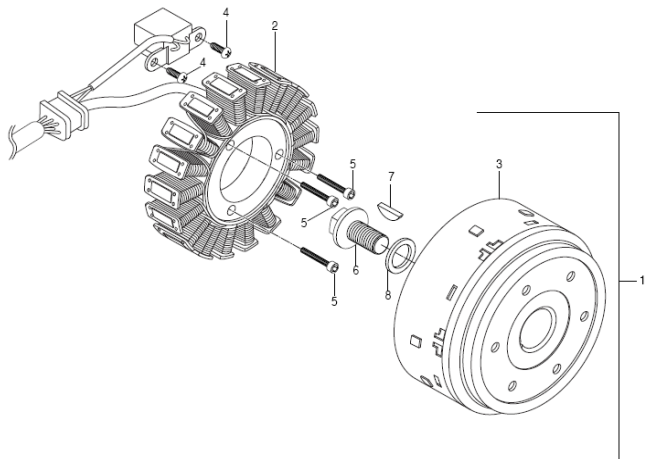


FIG 23. BATTERY

| REF. NO. | PAT01 | PART NAME | Q'TY |
|-------------|-------------|-----------------------------------|------|
| 1 | 33610HM8100 | BATTERY ASS'Y(12V 12Ah. STX14-BS) | 1 |
| 2 | 33860HN9100 | LEAD WIRE, battery minus(-) | 1 |

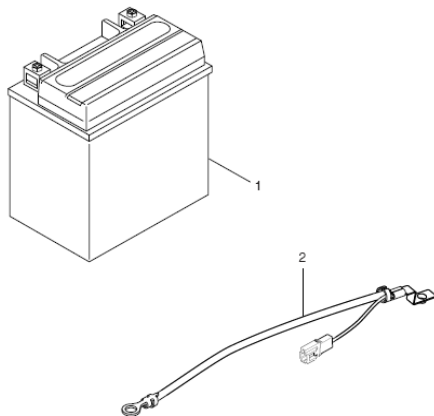


FIG 24. ELECTRICAL

| REF. NO. | PART NO. | PART NAME | Q'TY |
|----------|-------------|-----------------------------------|------|
| 1 | 31800HG5100 | RELAY ASS'Y, starting motor | 1 |
| 2 | 08316-26066 | NUT, starter motor relay terminal | 2 |
| 3 | 33840HM8101 | LEAD WIRE, battery plus | 1 |
| 4 | 33850HG5800 | LEAD WIRE, starter motor | 1 |
| 5 | 32800HN9101 | RECTIFIER REGULATOR ASS'Y | 1 |
| 6 | 09128-06005 | BOLT, rectifier | 2 |
| 7 | 33410HN9100 | COIL ASS'Y, ignition front | 1 |
| 8 | 33430HN9100 | COIL ASS'Y, ignition rear | 1 |
| 9 | 09128-06035 | BOLT, ignition coil | 4 |
| 10 | 33500HN9100 | CAP ASS'Y spark plug | 2 |
| 11 | 33541-23E01 | SEAL, spark plug | 2 |
| 12 | 33510-05C01 | CAP, spark plug | 2 |
| 13 | 33542-98000 | SEAL, high tension cord | 2 |
| 14 | 33545HN9100 | BUSH, spark plug cap | 2 |
| 15 | 32900HN9111 | IGNITOR ASS'Y | 1 |
| 16 | 07110-06208 | BOLT, ignitor | 2 |
| 17 | 38740HM5401 | RELAY ASS'Y. | 3 |
| 18 | 01517-06166 | BOLT, relay | 3 |
| 19 | 36740-35C00 | BOX ASS'Y, fuse (15A) | 1 |
| 20 | 36740HN9100 | BOX ASS'Y, fuse (30A) | 1 |
| 21 | 32910HN9101 | PULSE CONTROL UNIT | 1 |
| 22 | 08322-21065 | WASHER, ignitor | 2 |

FIG 24

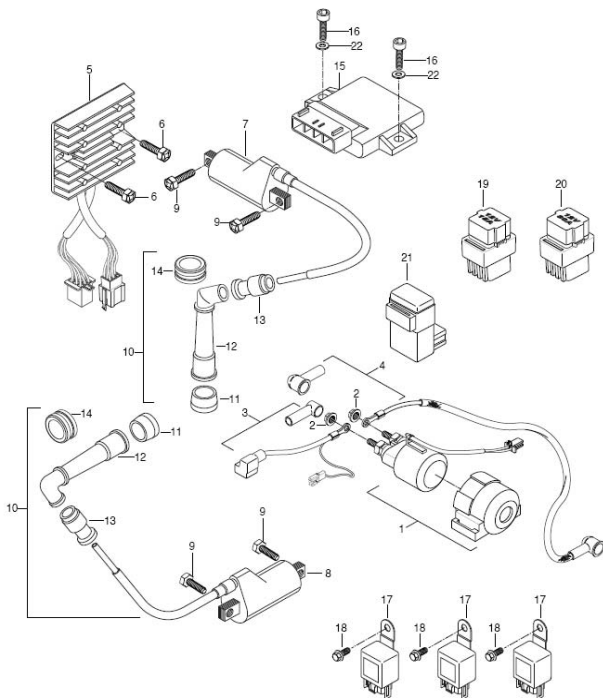


FIG 25. SPEEDOMETER ASSY

FIG 25

| REF. NO. | PAT01 | PART NAME | Q'TY |
|----------|-------------|---------------------------|------|
| 1 | 34100HP9201 | SPEEDOMETER ASS'Y | 1 |
| 2 | 34150HP9200 | WINDOWS, case | 1 |
| 3 | 34160HP9200 | CASE SUB, housing | 1 |
| 4 | 34121HP9200 | TACHOMETER ASSY, movement | 1 |
| 5 | 34500HP9200 | DISPLAY ASSY, speedometer | 1 |
| 6 | 34600HP9200 | PCB ASS'Y, speedometer | 1 |
| 6-1 | 34111HP9200 | SPEEDOMETER COMP | 1 |
| 7 | 34950HP9200 | BRACKET, speedometer | 1 |
| 8 | 34170HP9201 | WIRING ASS'Y, speedometer | 1 |
| 9 | 01517-06208 | BOLT, speedometer bracket | 3 |
| 10 | 09471-12072 | BULB (12V 1.7W T6.5) | 2 |
| 11 | 94647HP9200 | CUSHION, Exclude Light | 1 |

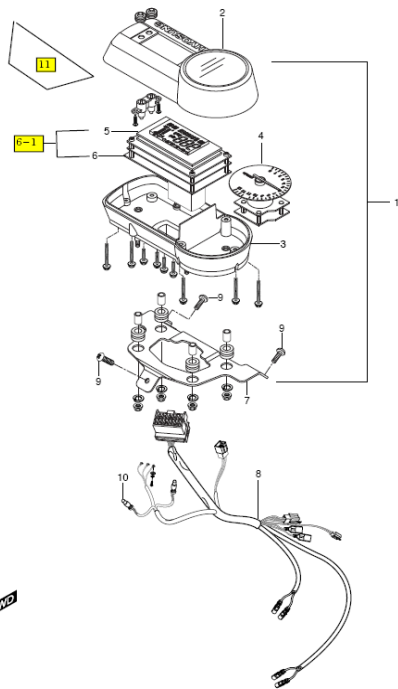


FIG 26. HEAD LAMP

| REF. NO. | PAT01 | PART NAME | Q'TY |
|----------|-------------|---------------------------------|------|
| 1 | 35100HP9250 | HEAD LAMP ASS'Y | 1 |
| 2 | 09471H12250 | BULB, head lamp hi(12v H1:55w)) | 1 |
| 3 | 09471H12230 | BULB, head lamp hi(12v H3:55w)) | 1 |
| 4 | 35173HP9200 | DUST COVER | 2 |
| 5 | 09148-05039 | NUT, head lamp speedometer | 3 |
| 6 | 09320-09016 | CUSHION, head lamp & brace comp | 4 |
| 7 | 09180-06011 | SPACER, head lamp & brace comp | 4 |
| 8 | 09136-06113 | BOLT, head lamp & brace comp | 4 |
| 9 | 35192HP9200 | CUSHION, Head Lamp | 1 |
| 10 | 35193HP9200 | TAPE, Cushion Head Lamp R | 1 |
| 11 | 35194HP9200 | TAPE, Cushion Head Lamp L | 1 |

FIG.26

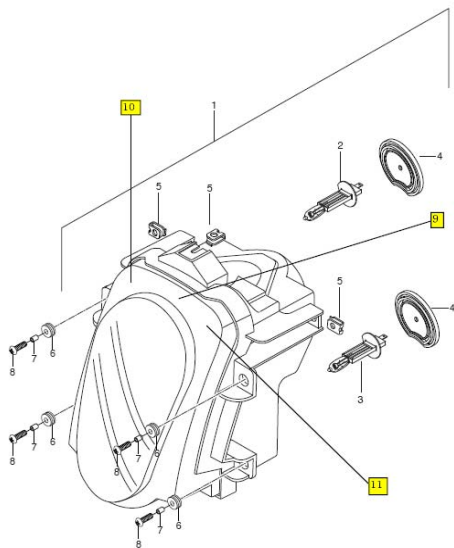


FIG 27. FRONT TURN SIGNAL

| REF. NO. | PAT01 | PART NAME | Q'TY |
|----------|-------------|------------------------------------|------|
| 1 | 35601HP9250 | LAMP ASS'Y, FT turnsignal R | 1 |
| 2 | 35602HP9250 | LAMP ASS'Y, FT turnsignal L | 1 |
| 3 | 09471-12003 | BULB, FT turnsignal lamp(12V,10W) | 2 |
| 4 | 09160-06019 | BOLT, turnsignal relat | 1 |
| 5 | 08316-26066 | NUT, FT turnsignal lamp | 4 |
| 6 | 35603HM8151 | LAMP ASS'Y, RR turnsignal R | 1 |
| 7 | 35604HM8151 | LAMP ASS'Y, RR turnsignal L | 1 |
| 8 | 09471-12003 | BULB, RR turnsignal lamp(12V, 10W) | 2 |
| 9 | 38610HL7300 | RELAY ASS'Y, turn signal | 1 |
| 10 | 35612HM8100 | LENS, FT turnsignal R | 2 |
| 11 | 35632HM8100 | LENS, FT turnsignal L | 2 |

FIG.27

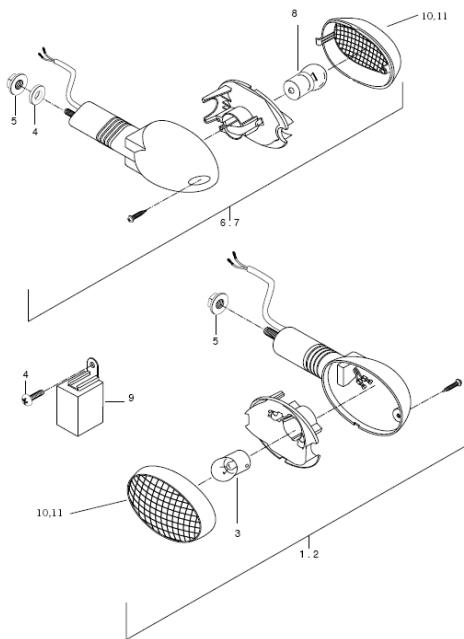


FIG 28. WIRING HARNESS

| REF. NO. | PAT01 | PART NAME | Q'TY |
|----------|-------------|-------------------------|------|
| 1 | 36610HP9201 | HARNESS, wiring | 1 |
| 2 | 38500HM8101 | HORN ASS'Y | 1 |
| 3 | 37000HP9200 | LOCK ASS'Y, steering | 1 |
| 3-1 | 37110HG5150 | BLANK KEY | 1 |
| 4 | 01517-06206 | BOLT, steering lock | 1 |
| 4-1 | 09139H06016 | SCREW,steer lock | 1 |
| 5 | 37740HN9100 | SWITCH ASS'Y, rear stop | 1 |
| 6 | 09407-14403 | CLAMP, wiring harness | 4 |
| 7 | 09106H06150 | SCREW, horn | 1 |
| 8 | 09407-254A1 | CLAMP, wiring harness | 2 |
| 9 | 09443H06006 | SPRING | 1 |
| 10 | 36618-30610 | BOOT W/HAR | 1 |
| 11 | 09407-22402 | CLAMP, wiring harness | 2 |
| 12 | 37550HP9200 | SPACER, STEERING LOCK | 1 |

FIG.28

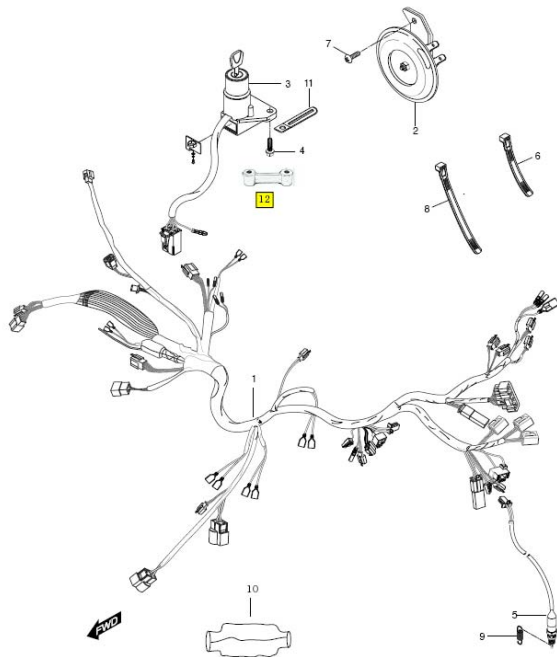
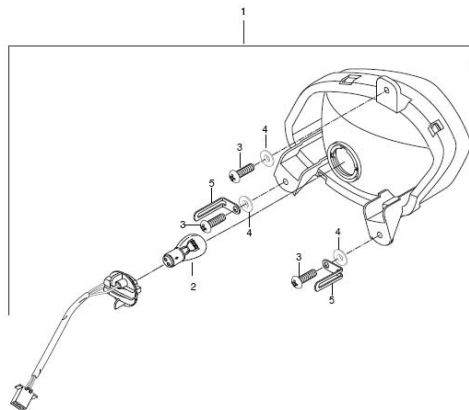


FIG 29. REAR COMBINATION

| REF. NO. | PAT01 | PART NAME | Q'TY |
|----------|-------------|-------------------------------|------|
| 1 | 35710HM8152 | LAMP ASS'Y, tail & stop | 1 |
| 2 | 09471-12047 | BULB, tail & stop(12V P21/5W) | 1 |
| 3 | 03241-05166 | SCREW, tail & stop | 3 |
| 4 | 09160-05017 | WASHER, tail & stop | 3 |
| 5 | 09404-06401 | CLAMP, tail & stop | 2 |

FIG 29



PWD

FIG 30. FRAME

| REF. NO. | PAT01 | PART NAME | Q'TY |
|---|----------------|--|------|
| 1 | 41100HP94003P | FRAME COMP(SILVER color) | 1 |
| 1-1 | 41100HP9400PAM | FRAME COMP(BLACK color) | 1 |
| KM4MP51C161101504~ | | | |
| *41100HP9201 and 41100HP9203 are compatible. | | | |
| * 41100HP9203(S type) and 41100HP9400(R type) are the same. | | | |
| 2 | 41165HN9101 | SHAFT, engine mounting link | 1 |
| 3 | 09141H26001 | LOCK NUT, engine mounting link & shaft | 1 |
| 4 | 41191HN9101 | SHAFT, engine mounting RR lower | 2 |
| 5 | 09141H20001 | LOCK NUT, engine mounting RR lower | 1 |
| 6 | 61211HN9101 | SHAFT, RR swingingarm pivot | 1 |
| 7 | 41181HN9101 | SHAFT, engine mounting RR upper | 1 |
| 8 | 07110-08258 | BOLT, frame & engine mounting adjuster | 1 |
| 9 | 41185HN9100 | SPACER, frame & engine rear upper(L=49) | 1 |
| 10 | 08319-31128 | NUT, engine mounting link & shaft | 1 |
| 11 | 08319-31108 | NUT, frame & engine RR upper | 1 |
| 12 | 09159H14008 | NUT, RR swingingarm pivot | 1 |
| 13 | 41772HN9101 | BRKT, radiator upper | 1 |
| 14 | 01517-06125 | SCREW, radiator upper brkt | 1 |
| 15 | 08319-31108 | NUT, frame & engine RR lower | 2 |
| 16 | 15100HG5100 | PUMP ASS'Y, fuel | 1 |
| 17 | 41351HN9100 | BRKT, fuel pump | 1 |
| 18 | 02142-06126 | SCREW, fuel pump | 1 |
| 19 | 01517-06126 | BOLT, fuel pump brkt | 2 |
| 20 | 44199HL7302 | HOSE, fuel pump & carburetor vacuum(L=3: | 1 |
| 21 | 09401-10401 | CLIP, fuel pump vacuum | 1 |
| 22 | 09401-08401 | CLIP, carburetor vacuum | 1 |
| 23 | 01134-06306 | GUIDE CLAMP, harness | 1 |
| 24 | 94417HP9201 | PLATE COMP, frame & body side COW'G | 2 |
| 25 | 47510HP9202 | RIDER, pillion | 1 |
| 26 | 07120-08258 | BOLT, grip handle | 6 |
| 27 | 94478HP9202 | BKT COMP,frame body side | 1 |
| 28 | 94479HP9202 | BKT COMP,frame body side | 1 |
| 29 | 68149HP9400 | TAPE, FRAME SIDE (tracing tape) | 8 |

KM4MP51C251100148~

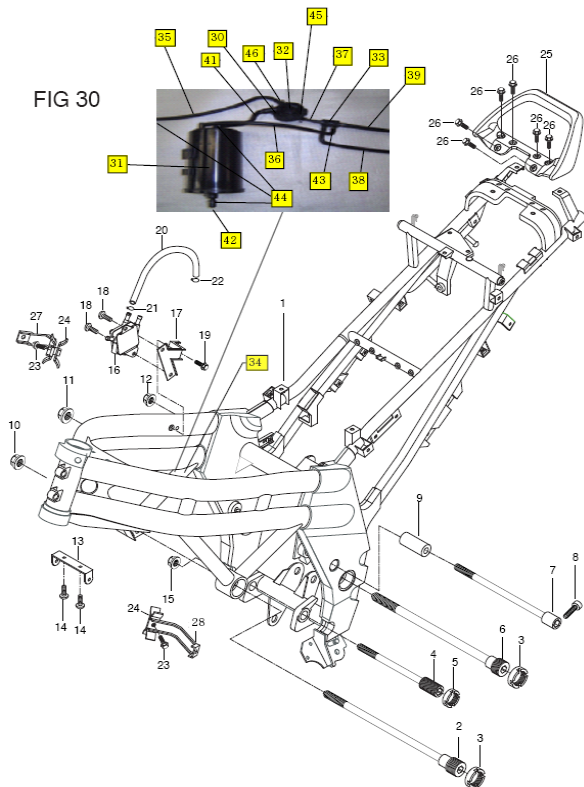


FIG 31. PROP STAND

| REF. NO. | PAT01 | PART NAME | Q'TY |
|----------|----------------|--|------|
| 1 | 42310HN910003P | STAND COMP, prop | 1 |
| 1~1 | 42310HN9150120 | STAND COMP, prop BLACK KM4MP51B861100907~ | 1 |
| 2 | 09100-10031 | BOLT, prop stand | 1 |
| 3 | 08310-22106 | NUT, prop stand | 1 |
| 4 | 09443-15047 | SPRING, prop stand outter | 1 |
| 5 | 09443-06001 | SPRING, prop stand inner | 1 |
| 6 | 37840HN9102 | SWITCH ASS'Y, side stand | 1 |
| 7 | 01517-06205 | BOLT, side stand | 2 |

FIG 31

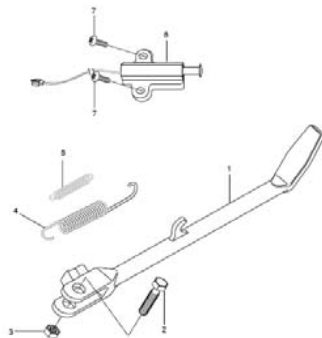


FIG 32. REAR BRAKE

| REF. NO. | PART NO. | PART NAME | Q'TY |
|----------|----------------|---|------|
| 1 | 43110HM810003P | PEDAL COMP, brake | 1 |
| 2 | 43530HM810503P | BRACKET COMP, front footrest R ~ KM4MP52A241100049 | 1 |
| 2~1 | 43530HM810603P | BRACKET COMP, front footrest R KM4MP52A241100050 ~ | 1 |
| 3 | 09448H30002 | SPRING, brake pedal return | 1 |
| 4 | 43560HM8100 | FOOTREST ASS'Y, front R | 1 |
| 5 | 43561HM8100 | FOOTREST, bar front R | 1 |
| 6 | 43530H30A40 | RUBBER COMP, front footrest R | 1 |
| 7 | 02112-05126 | SCREW, front footrest | 2 |
| 8 | 69600HM8100 | CYLINDER ASS'Y rear master | 1 |
| 9 | 69740HM8100 | TANK ASS'Y reserver | 1 |
| 10 | 69700HM8101 | HOSE ASS'Y reserver | 1 |
| 11 | 09400H13001 | CLMAP, reserver tank hose | 2 |
| 12 | 01517-06168 | BOLT, reserver tank | 1 |
| 13 | | | |
| 14 | 43533H30A40 | BOLT, front footrest bar | 1 |
| 15 | 09180H08008 | SPACER, front footrest | 1 |
| 16 | 43579HM8101 | PIN, front footrest | 1 |
| 17 | 09448H14007 | SPRING, front footrest | 1 |
| 18 | 08332-11079 | E-RING, front footrest | 1 |
| 19 | 07120-08207 | BOLT, front footrest bracket | 2 |
| 20 | 07120-08258 | BOLT, master cylinder | 2 |
| 21 | 08322-21068 | WASHER, rear master cylinder | 1 |
| 22 | 04111-20208 | COTTER PIN, rear master cylinder | 1 |
| 23 | 09160H15002 | WASHER, brake pedal | 1 |
| 24 | 08331-31159 | CIRCLIP, brake pedal | 1 |
| 25 | 09200H06040 | PIN, rear master cylinder | 1 |
| 26 | 43550HP9201 | BRKT, front footrest back step R | 2 |
| 27 | 07120-08258 | BOLT, grip handle | 2 |
| 28 | 69800HN9100 | TANK SET reserver | 1 |
| 29 | 69609HN9100 | CYLINDER SET, rear master | 1 |

FIG 32

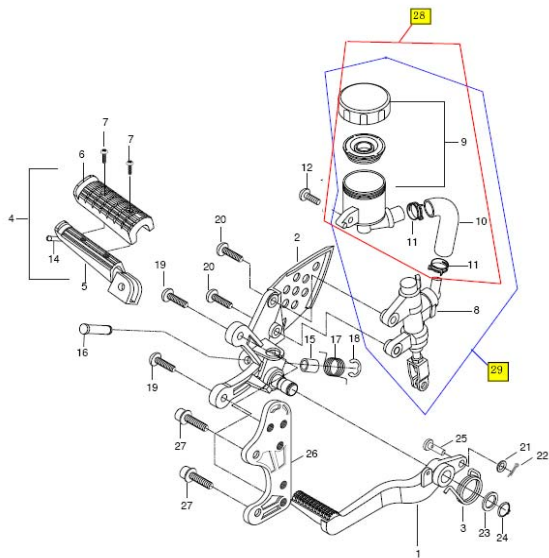
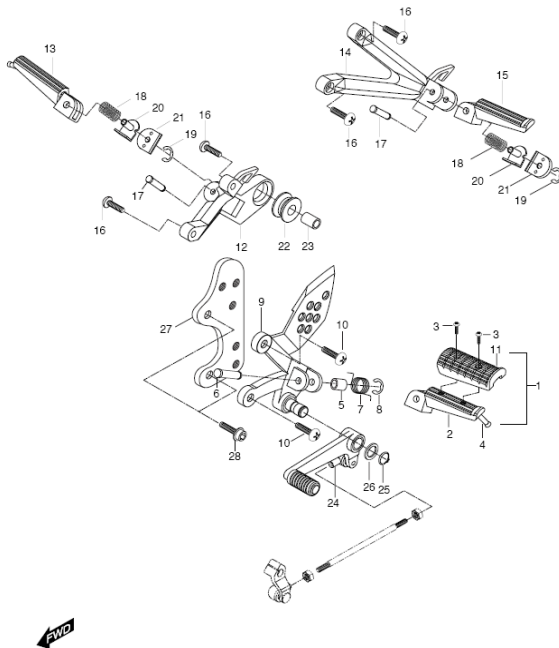


FIG 33. FOOTREST

FIG 33

| REF. NO. | PAT01 | PART NAME | Q'TY |
|----------|----------------|----------------------------------|------|
| 1 | 43570HM8100 | FOOTREST ASS'Y, front L | 1 |
| 2 | 43571HM8100 | FOOTREST BAR, front L | 1 |
| 3 | 02112-05126 | SCREW, front footrest | 2 |
| 4 | 43533H30A40 | BOLT, front footrest bar | 1 |
| 5 | 09180H08008 | SPACER, front footrest | 1 |
| 6 | 43579HM8101 | PIN, front footrest bar | 1 |
| 7 | 09448H14007 | SPRING, front footrest | 1 |
| 8 | 08332-11079 | E-RING, front footrest | 1 |
| 9 | 43540HN910103P | BRACKET COMP, front footrest L | 1 |
| 10 | 07120-08258 | BOLT, front footrest bracket | 2 |
| 11 | 43530H30A40 | RUBBER, front footrest | 1 |
| 12 | 43621HM810403P | BRACKET, pillion footrest R | 1 |
| 13 | 43661HM8101 | FOOTREST BAR, pillion R | 1 |
| 14 | 43721HM810303P | BRACKET, pillion footrest L | 1 |
| 14-1 | 43721HM810403P | BRACKET, pillion footrest L | 1 |
| 15 | 43671HM8101 | FOOTREST BAR, pillion L | 1 |
| 16 | 07120-08258 | BOLT, pillion footrest bracket | 4 |
| 17 | 43679HM8101 | PIN, pillion footrest | 2 |
| 18 | 09448H08008 | SPRING, pillion footrest | 2 |
| 19 | 08332-11048 | E-RING, pillion footrest | 2 |
| 20 | 43631HM8101 | PLATE, pillion stopper No.1 | 2 |
| 21 | 43641HM8101 | PLATE, pillion stopper No.2 | 2 |
| 22 | 09320-14015 | CUSHION, muffler support | 1 |
| 23 | 09180-10044 | SPACER, muffler support | 1 |
| 24 | 25609HP920003P | LEVER COMP, gear shift cam | 1 |
| 25 | 08331-31159 | CIRCLIP, gear shift lever | 1 |
| 26 | 09160H15002 | WASHER, gear shift lever | 1 |
| 27 | 43560HP9201 | BRKT, front footrest back step L | 1 |
| 28 | 07120-08258 | BOLT, front footrest back step | 2 |



← FWD

FIG 34. FUEL TANK

FIG 34

| REF. NO. | PAT01 | PART NAME | Q'TY |
|----------|----------------|--|------|
| 1 | 44110HN9100 | TANK COMP,fuel:WITH EMBLEM HYOSUN | 1 |
| | 44110HN9110 | for black frame | 1 |
| 1-A | 68120HN910003P | EM,HYOSUNG(GT650) | 2 |
| 1-B | 68319H05350PL | LABEL,CAUTION | 1 |
| 2 | 44520HM8100 | BRKT COMP, fuel tank front | 1 |
| 3 | 09329-10007 | CUSHION, fuel tank inner front | 2 |
| 4 | 01517-06166 | BOLT, fuel tank front brkt | 2 |
| 5 | 09329H28001 | CUSHION, fuel tank side | 2 |
| 6 | 44530HM8100 | BRKT COMP, fuel tank RR | 1 |
| 7 | 01517-06206 | BOLT, fuel tank RR brkt | 2 |
| 8 | 44215HM8100 | CUSH,F/TANK IN 2 | 1 |
| 9 | 44216HM8100 | CUSH,F/TANK IN 3 | 1 |
| 10 | 09116H08078 | BOLT, fuel tank RR | 1 |
| 11 | 09320-14013 | CUSHION, fuel tank RR up | 1 |
| 12 | 09180H08007 | SPACER, fuel tank RR cushion | 1 |
| 13 | 09320H10020 | CUSHION, fuel tank RR lower | 1 |
| 14 | 44200H35C30 | CAP ASS'Y, fuel tank filler | 1 |
| 15 | 09401H11401 | CLIP, strainer outlet & fuel pump | 1 |
| 16 | 09106-05017 | BOLT, fuel tank filler | 4 |
| 17 | 34810HM8102 | GAUGE ASS'Y, fuel lever | 1 |
| 18 | 01134-05106 | BOLT, fuel level gauge | 5 |
| 19 | 44199H11202 | HOSE, fuel strainer outlet(L=170) | 1 |
| 20 | 09401-10401 | CLIP, fuel strainer outlet | 1 |
| 21 | 44910HG2600 | STRAINER COMP, fuel | 1 |
| 22 | 09401-08401 | CLIP, fuel strainer inlet NO.2 | 1 |
| 23 | 44197HK2701 | HOSE, fuel strainer inlet | 1 |
| 24 | 09401-10401 | CLIP, fuel strainer inlet NO.2 | 1 |
| 25 | 44300HN9100 | COCK ASS'Y, fuel | 1 |
| 26 | 09128-06035 | BOLT, fuel cock | 2 |
| 27 | 09168-06010 | GASKET, fuel cock | 2 |
| 28 | 44197HE6102 | HOSE, fuel cock vacuum & intake pipe(L=31) | 1 |
| 29 | 09401-08401 | CLIP, fuel hose | 2 |
| 30 | 09352H70103650 | HOSE, fuel tank drain (L=650) | 1 |
| 31 | 44218HN9100 | PROTECTOR,FUEL TANK INNER | 1 |

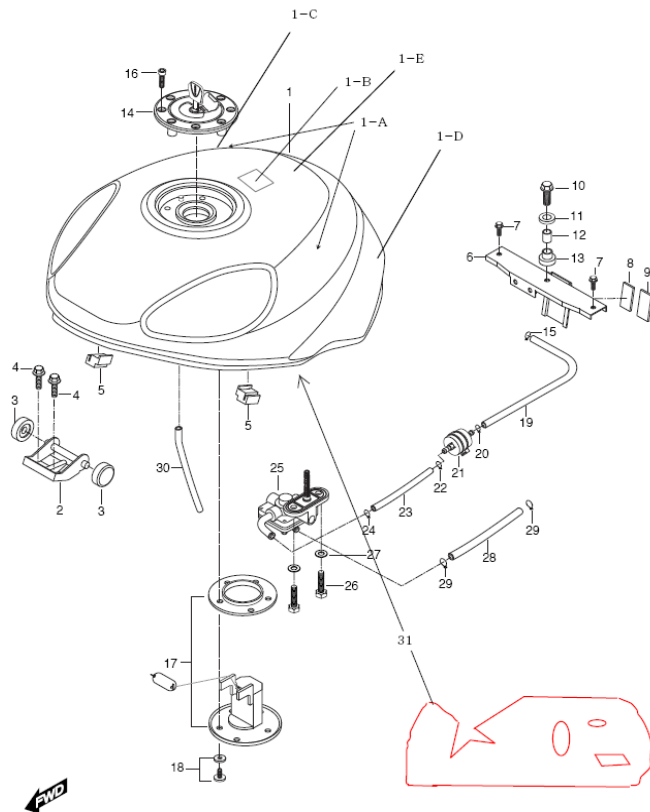


FIG 35. SEAT

FIG 35

| REF. NO. | PAT01 | PART NAME | Q'TY |
|----------|----------------|-------------------------|------|
| 1 | 45110HN9100HAS | SEAT SET, front | 1 |
| 2 | 45120HM8101 | KNOB COMP, seat front | 1 |
| 3 | 09440-11016 | SPRING, seat front knob | 1 |
| 4 | 08322-11088 | WASHER, seat front knob | 1 |
| 5 | 04111-20208 | PIN, seat front knob | 1 |
| 6 | 45200HP9200 | SEAT SET, rear | 1 |
| 7 | 01517-06206 | BOLT, rear seat | 1 |
| 8 | 09160-06057 | WASHER, rear seat | 1 |

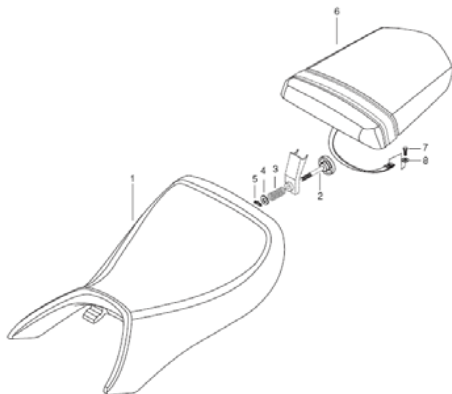
**PRO**

FIG 36. COW'G BODY(S,R)

FIG 36

| REF. NO. | PAT01 | PART NAME | Q'TY |
|----------------------|----------------|---|------|
| 1 | 94611HP9203HPA | WINDSCREEN ASS'Y(COLOR :LIQUID) | 1 |
| | 94601HP9200HPA | WIND SCREEN ASS'Y(COLOR : TONED) | |
| 1-1 | 94611HP9203 | WINDSCREEN | 1 |
| 1-2 | 68500HP9200 | TAPE,WINDSCREEN | 1 |
| 1-3 | 68120HL730003P | EMBLEM,LEG SHIELD FRONT | 1 |
| 2 | 94641HP9200 | PANEL, meter | 1 |
| 3 | 94411HP9200 | COW'G, body side R(color:0BK,0DR,,0DS,0 | 1 |
| 3-1 | 94411HP9202 | COW'G, body side R(color:0BK,0DR,,0DS,0 | 1 |
| 4 | 94421HP9200 | COW'G, body side L(color:0BK,0DR,,0DS,0 | 1 |
| 4-1 | 94421HP9202 | COW'G, body side L(color:0BK,0DR,,0DS,0 | 1 |
| 5 | 94431HP9200 | COW'G, body side R inner(color:0BK,0DR,,0 | 1 |
| 6 | 94491HP9200 | COW'G, body side lower L(color:0DR,,0DS,0 | 1 |
| 7 | 94481HP9200 | COW'G, body side lower R(color:0DR,,0DS,0 | 1 |
| "S" TYPE ONLY | | | |
| 8 | 94671HP9200121 | COW'G, air duct L | 1 |
| 9 | 94661HP9200121 | COW'G, air duct R | 1 |
| 10 | 94441HP9200 | COW'G, body center lower(color:0BK,0DR,,0 | 1 |
| 11 | 94510HP9202 | BRACE, cowling | 1 |
| 12 | 03241-05125 | BOLT, meter panel & body side cow R/L | 8 |
| 13 | 09103H08254 | BOLT, brace comp & frame head pipe | 2 |
| 14 | 09180H06208 | SPACER, body side cow R/L & brace comp | 4 |
| 15 | 09320-09034 | CUSHION, body side cow R/L & brace comp | 4 |
| 16 | 09136-06113 | BOLT, body side COW'G R/L & brace comp | 4 |
| 17 | 09180H06208 | SPACER, body side COW'G R/L & frame | 2 |
| 18 | 09320-09034 | CUSHION, body side COW'G R/L & frame | 2 |
| 19 | 09136-06113 | BOLT, body side COW'G R/L & frame | 2 |
| 20 | 09320-07012 | CUSHION, windscreen & body side COW'G | 6 |
| 21 | 09106H05150 | BOLT, windscreen & body side COW'G up | 6 |
| 22 | 09148-05004 | NUT, body side COW'G R/L & meter panel | 8 |
| 23 | 03241-05106 | SCREW, side COW'G & lower COW'G | 8 |

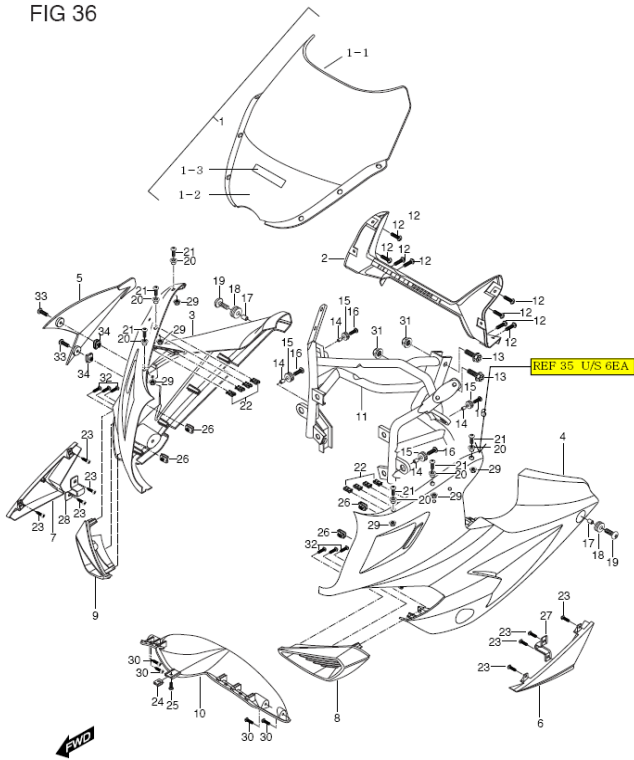


FIG 36-1. COW'G BODY(S,R)

FIG 36

| REF. NO. | PAT01 | PART NAME | Q'TY |
|----------|-------------|--|------|
| 24 | 09148-05004 | NUT, lower COW'G ctr & body side COW'G | 1 |
| 25 | 03241-05125 | SCREW, lower COW'G ctr & body side COW'G | 1 |
| 26 | 09148-06020 | NUT, body side COW'G R/L & brace comp | 4 |
| 27 | 94425HP9200 | PLATE, body side COW'G & lower COW'G | 1 |
| 28 | 94425HP9200 | PLATE, body side COW'G & lower COW'G | 1 |
| 29 | 08316-26055 | NUT, windscreen & body side COW'G up | 6 |
| 30 | 03211-05166 | SCREW, lower COW'G & body side COW'G | 4 |
| 31 | 08313-11088 | NUT, brace comp & frame head pipe | 2 |
| 32 | 03241-04128 | SCREW, body side cwing & air doct COW'G | 6 |
| 33 | 09106H06150 | BOLT | 2 |
| 34 | 09148-06020 | NUT | 2 |
| 35 | 09169-05018 | WASHER, Windscreen | 6 |
| 36 | 94454HP9400 | CUSHION, Upper Cowling R | 1 |
| 37 | 94455HP9400 | CUSHION, Upper Cowling L | 1 |

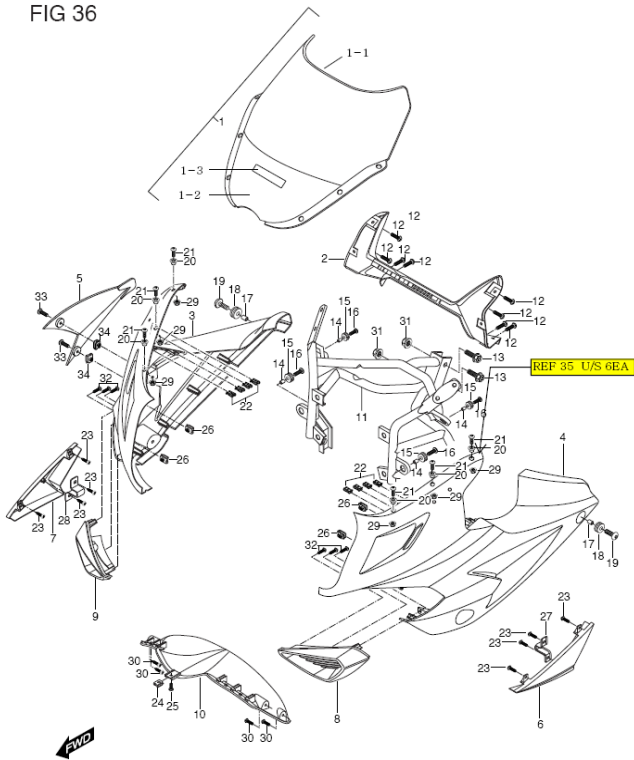


FIG 37. COW'G BODY(R TYPE ONLY)

FIG 37

| REF. NO. | PAT01 | PART NAME | Q'TY |
|----------|----------------|--|------|
| 1 | 94432HP9402 | COW'G, under RH (color:CBK,CDR,CDY | 1 |
| 2 | 94433HP9400 | COW'G, under LH (color:CBK,CDR,CDY. | 1 |
| 3 | 94431HP9400 | COW'G, under center (color:0BK,0DR,0DY | 1 |
| 4 | 94434HP9402 | PLATE, under COW'G RH | 1 |
| 5 | 94435HP9401 | PLATE, under COW'G LH | 1 |
| 6 | 94436HP9401 | PLATE, under center COW'G | 1 |
| 7 | 94478HP9400 | PLATE COMP,under COW'g upper RH | 1 |
| 8 | 94479HP9400 | PLATE COMP,under COW'g upper LH | 1 |
| 9 | 01134-06306 | BOLT, body under COW'G & frame | 2 |
| 10 | 09106H05150 | BOLT, body under COW'G R/L | 11 |
| 10-1 | 09136-06113 | BOLT | 2 |
| 10-2 | 09106H06150 | BOLT | 4 |
| 11 | 09148-05004 | NUT, under COW'G | 9 |
| 12 | 94425HP9401 | PLATE, body COW'G side lower | 2 |
| 13 | 94426HP9401 | PLATE, body COW'G side | 4 |
| 14 | 94439HP9400120 | GRILL, under center COW'G | 1 |
| 15 | 94417HP9201 | PLATE COMP, frame & body COW'G No.2 | 2 |
| 16 | 03151-05125 | SCREW, side COW'G & lower cowl | 7 |
| 16-1 | 03241-05125 | SCREW | 9 |
| 17 | 68130HP9450015 | TAPE, "GT650 R" RH(color:0DR) | 2 |
| | 68130HP945003P | TAPE, "GT650 R" RH(color:0BK) | 2 |
| | 68130HP945010R | TAPE, "GT650 R" RH(color:0DY,0MO) | 2 |
| 18 | 94453HP9400 | CUSHION, Under Cow'g Side L | 2 |
| 19 | 94456HP9400 | CUSHION, Under Cent Cow'g R | 1 |
| 20 | 94457HP9400 | CUSHION, Under Cent Cow'g L | 1 |
| 21 | 94458HP9400 | CUSHION, Under Cowling R | 1 |
| 22 | 94459HP9400 | CUSHION, Under Cowling L | 1 |

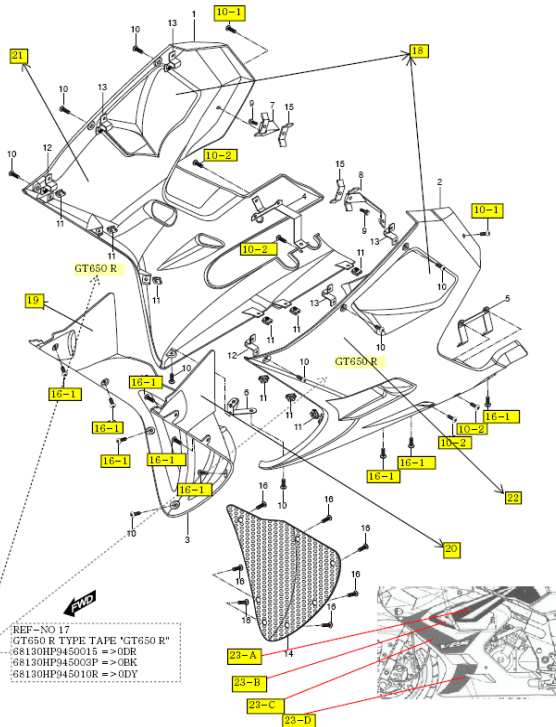


FIG 38. REAR FENDER

FIG 38

| REF. NO. | PAT01 | PART NAME | Q'TY |
|--------------------|----------------|---|------|
| 1 | 63112HM810212A | FENDER, rear front | 1 |
| 1-1 | 63112HM810512A | FENDER, rear front | 1 |
| 2 | 63113HM810112A | FENDER, rear lower | 1 |
| 3 | 09280-63003 | BAND, tool | 1 |
| 4 | 09111H06066 | BOLT, rr fender fit up | 2 |
| 5 | 09148-05039 | NUT, rr fender fit | 2 |
| 6 | 01517-06166 | BOLT, rr fender fit & frame side tube | 2 |
| 7 | 09169-06032 | WASHER, rr fender fit & frame side tube | 2 |
| 8 | 02142-06166 | SCREW, rr fender lower | 2 |
| 9 | 09169-06032 | WASHER, rr fender lower | 2 |
| 10 | 41589HG5900 | CUSHION, rr fender fit & battery | 1 |
| 10-1 | 41589HR9700 | CUSHION, rr fender fit & battery NO2 | 1 |
| 11 | 63120HM810003P | TUBE COMP, RR fender FT & frm side | 1 |
| 11-1 | 63120HM810103P | TUBE COMP, RR fender FT & frm side | 1 |
| KM4MP51B861100907~ | | | |
| 12 | 01517-08168 | BOLT, frm side tube | 2 |
| 13 | 63115HN9101 | TAPE, RR fender FT | 1 |
| 14 | 68350HM8150PL | LABEL, caution NO.1 | 1 |
| 15 | 02142-04088 | BOLT, RR Fender FT | 2 |

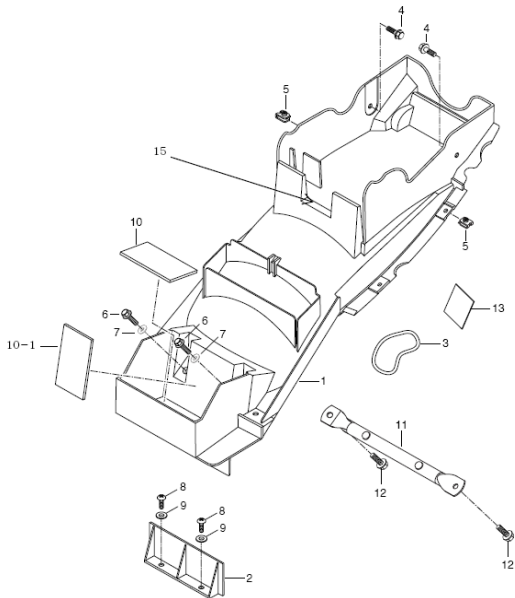


FIG 39. SIDE COVER

| REF. NO. | PART NAME | Q'TY |
|----------|--|------|
| 1 | COVER, side RH(color: CDR,CBK,CDS,CD | 1 |
| 2 | COVER, side LH(color: CDR,CBK,CDS,CD | 1 |
| 3 | BOLT, luggage support | 2 |
| 4 | WASHER, luggage bolt & frm side | 2 |
| 5 | SCREW, frm side front | 2 |
| 6 | WASHER, frm side front | 2 |
| 7 | SCREW, frm side center | 1 |
| 8 | NUT, frm side rear up | 3 |
| 9 | SCREW, frm side rear up | 3 |
| 10 | SCREW, frm side low & frm | 2 |
| 11 | SCREW, frm side low & rear fender | 6 |
| 12 | LOCK ASS'Y, seat striker rear | 1 |
| 13 | SCREW, seat striker | 2 |
| 14 | CABLE COMP, seat lock | 1 |
| 15 | LOCK, key set & seat lock guide | 1 |
| 16 | LOCK ASS'Y, seat | 1 |
| 17 | GUIDE, seat lock cable | 1 |
| 18 | WASHER, key set & seat lock guide | 1 |
| 19 | CAP, luggage support bolt | 2 |
| 20 | TAPE, rear seat & side cover(color:0DR) | 2 |
| 21 | TAPE, rear seat & side cover(color:0DS,(| 2 |
| 22 | TAPE, rear seat & s/cover R | 1 |
| 23 | TAPE, rear seat & s/cover L | 1 |

FIG 39

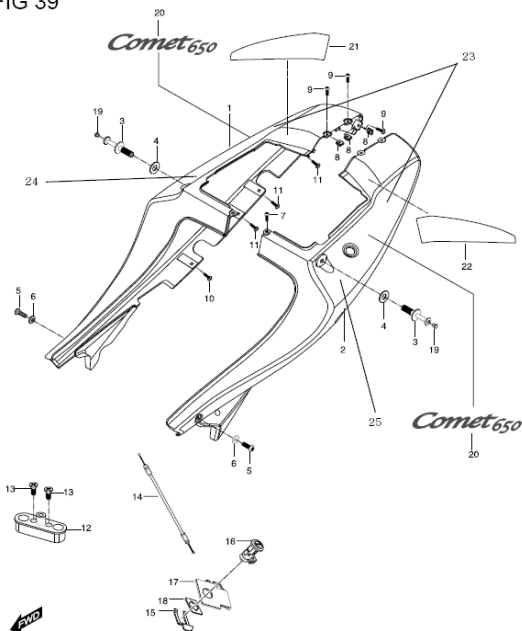


FIG 40. FRONT FORK

| REF. NO. | PAT01 | PART NAME | Q'TY |
|----------|----------------|-----------------------------------|------|
| 1 | 51100HP9200HPA | FORK ASS'Y, front | 1 |
| 1-A | 51100HP9250HPA | FORK ASS'Y, front(BLACK) | 1 |
| 2 | 51410HP9200HPA | BRACKET COMP, front fork under | 1 |
| 2-A | 51410HP9204HPA | BRACKET COMP, front fork under | 1 |
| 3 | 51411HP9201 | BRACKET, front fork under | 1 |
| 3-0 | 51411HP9204 | BRACKET, front fork under | 1 |
| 3-1 | 51412HM8102 | STEER'G STEM | 1 |
| 3-2 | 51413HM8100 | STOPP,ft fork under | 1 |
| 4 | 07110-08258 | BOLT, front fork under bracket | 4 |
| 5 | 09265H25001 | BEARING, steering lower | 1 |
| 6 | 09265H28001 | BEARING, steering upper | 1 |
| 7 | 51631-28000 | NUT, steering stem | 1 |
| 8 | 09166H25001 | WASHER, steering stem | 1 |
| 9 | 51210HP9200 | DAMPER ASS'Y, front fork R | 1 |
| 9-1 | 51210HP9250120 | DAMPER ASS'Y, front fork R(BLACK) | 1 |
| 10 | 51220HP9200 | DAMPER ASS'Y, front fork L | 1 |
| 10-1 | 51220HP9250120 | DAMPER ASS'Y, front fork L(BLACK) | 1 |
| 10-A | 52120HN9100 | CAP,OUTER TUBE(BLACK) | 2 |
| 10-A1 | 52120HP9400 | CAP,OUTER TUBE(BLUE) | 2 |
| 10-B | 52210-N9100 | UPPER CASE, FORK | 2 |
| 10-B1 | 52210HP9400120 | UPPER CASE, FORK(BLACK) | 2 |
| 10-C | 52110-N9100 | PIPE, FORK | 2 |
| 10-D | 51255HG5800 | OIL SEAL, FORK | 2 |
| 10-D1 | 52620-G5800 | AIR DUST COVER | 2 |
| 10-E | 52280HM8104C10 | BOTTOM BLOCK RH | 1 |
| 10-E1 | 52280HP9400120 | BOTTOM BLOCK RH(BLACK) | 1 |
| 10-F | 52270HM8104C10 | BOTTOM BLOCK LH | 1 |
| 10-F1 | 52270HP9400120 | BOTTOM BLOCK LH(BLACK) | 1 |
| 11 | 09106H08458 | BOLT, axle grip | 4 |
| 12 | 07110-08258 | BOLT, fork clip | 2 |
| 13 | 90544H93B00 | WASHER, spacer | 2 |
| 14 | 51511HN9101 | JOINT, front brake hose | 1 |
| 15 | 01517-06308 | BOLT, front brake hose joint | 2 |
| 16 | 51631HN9100 | NUT, steering stem upper | 1 |
| 17 | 51643HG5801 | DUST SEAL, steering upper | 1 |
| 18 | 09164H28001 | WASHER, PROTECTOR | 1 |

FIG 40

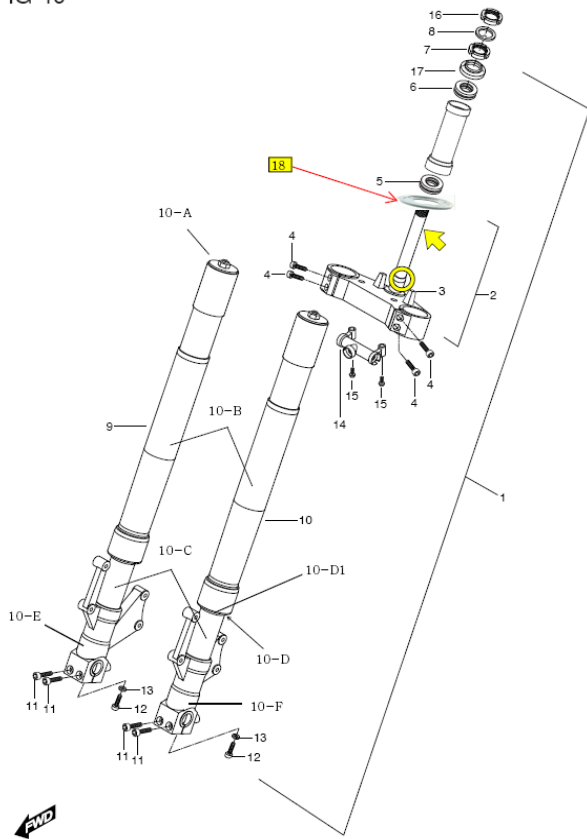


FIG 41. STEERING HEAD

| REF. NO. | PAT01 | PART NAME | Q'TY |
|-------------|----------------|--------------------------------|------|
| 1 | 51311HP940003P | BRACKET, front fork upper | 1 |
| 2 | 07110-08258 | BOLT, front fork upper bracket | 2 |
| 3 | 09159H22002 | NUT, str upper | 1 |
| 4 | 09160H22032 | WASHER, str upper | 1 |
| 5 | 68140HP9200 | EMBLEM,GT650S(S TYPE) | 1 |
| | 68140HP9400 | EMBLEM,GT650R(R TYPE) | 1 |

FIG 41

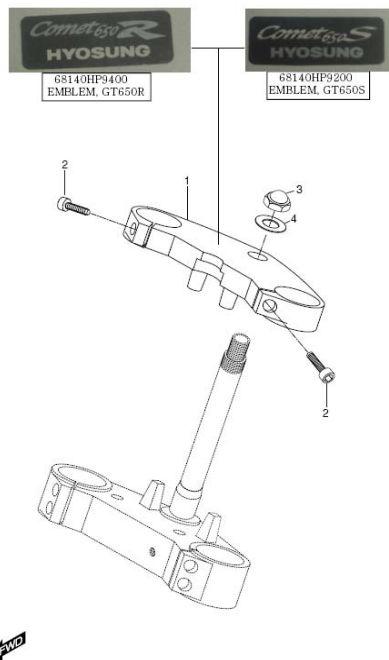


FIG 41-1. STEERING HEAD**LOW**

FIG 41-1

| REF. NO. | PAT01 | PART NAME | Q'TY |
|----------|----------------|--------------------------------|------|
| 1 | 51311HM810403P | BRACKER FORNT FORK UPP | 1 |
| 2 | 07110-08258 | BOLT, front fork upper bracket | 2 |
| 3 | 09159H22002 | NUT, str upper | 1 |
| 4 | 09160H22032 | WASHER, str upper | 1 |
| 5 | 56211-35C00 | HOLDER, handle bar | 2 |
| 6 | 56171HF4601 | COVER, steering head | 1 |
| 7 | 09106H08458 | BOLT, handle holer upper | 4 |
| 8 | 56222HG5100 | CAP, headle holder upper bolt | 4 |

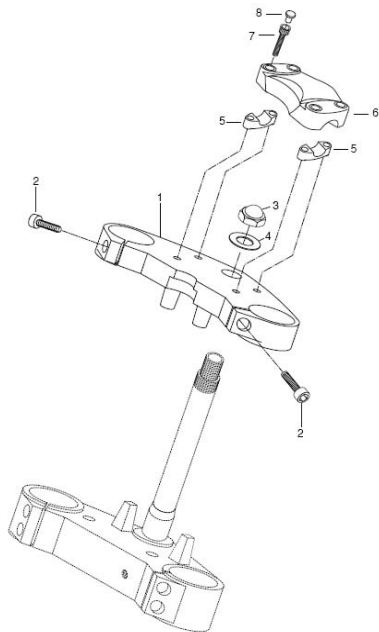
**PWD**

FIG 42. FRONT FENDER

| REF. NO. | PAT01 | PART NAME | Q'TY |
|----------|-------------|------------------------------------|------|
| 1 | 53111HM8101 | FENDER, front(color:SBK,0DR,0DS,0L | 1 |
| 2 | 59430HN9100 | CLAMP COMP, front brake hose R | 1 |
| 3 | 59440HN9100 | CLAMP COMP, front brake hose L | 1 |
| 4 | 01517-08126 | BOLT, front brake hose clamp R/L | 2 |
| 5 | 09404-08403 | CLAMP, speed sensor | 1 |
| 6 | 09169H06078 | WASHER, front fender | 4 |
| 7 | 09106H06150 | Bolt,front fender | 4 |

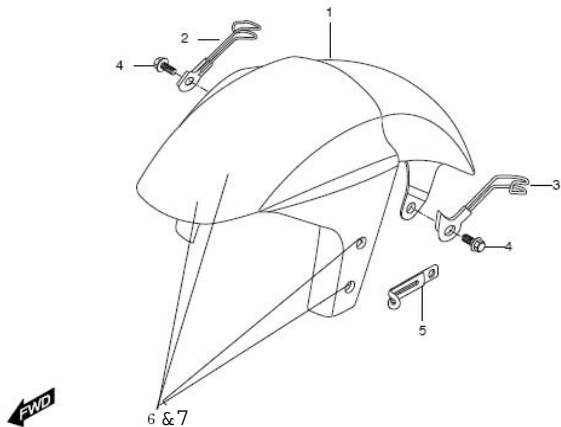
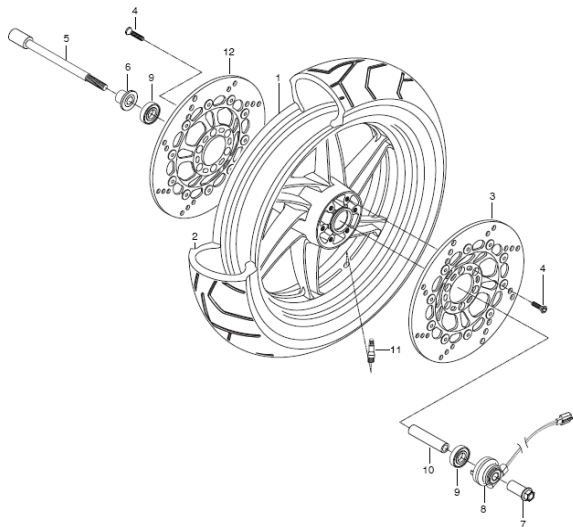


FIG 43. FRONT WHEEL

FIG 43

| REF. NO. | PAT01 | PART NAME | Q'TY |
|----------|----------------|----------------------------------|------|
| 1 | 54141HM8102 | WHEEL, front (J17xMT3.0) | 1 |
| 1-1 | 54141HN9101120 | WHEEL, front (J17xMT3.0)(Black) | 1 |
| 2 | 55100HN9101 | TIRE COMP, front (120/60-17 55W) | 1 |
| 3 | 59211HM8101 | DISC COMP, front L | 1 |
| 4 | 59421-03A01 | BOLT, front brake disc | 12 |
| 5 | 54711HG5101 | AXLEL, front | 1 |
| 6 | 54740HM8101 | SPACER COMP, front axle R | 1 |
| 7 | 54721HM8100 | NUT, front axle | 1 |
| 8 | 34860HP9201 | SENSOR ASS'Y, speedometer | 1 |
| 9 | 08124-63027 | BEARING, front hub | 2 |
| 10 | 54731HM8100 | SPACER, front hub | 1 |
| 11 | 55220-41D10 | VALVE ASS'Y, wheel rim | 1 |
| 12 | 59221HM8161 | DISC COMP, F/T R | 1 |



FWD

FIG 44. HANDLE BAR(LOW)

| REF. NO. | PAT01 | PART NAME | Q'TY |
|----------|-------------|------------------------------|------|
| 1 | 56110HP9203 | HANDLE BAR COMP, RH | 1 |
| 2 | 56120HP9204 | HANDLE BAR COMP, LH | 1 |
| 3 | 58300HP9201 | CABLE ASS'Y, throttle | 1 |
| 4 | 58410HP9203 | CABLE COMP, starter | 1 |
| 5 | 58200HP9203 | CABLE ASS'Y clutch | 1 |
| 6 | 09408-00002 | CLIP,cable | 1 |
| 7 | 09200-06004 | PIN,clutch | 1 |
| 8 | 04111-20158 | COTTER PIN, clutch | 1 |
| 9 | 58600HP9201 | CABLE ASS'Y, throttle return | 1 |
| 10 | 56500HP9200 | MIRROR ASS'Y, rear view R | 1 |
| 11 | 07110-06208 | BOLT | 1 |
| 11-1 | 07110-06205 | BOLT(BLACK) | 1 |
| | | KM4MP578971601883~ | |
| 12 | 56503HP9200 | CUSHION,rear view mirror | 1 |
| 13 | 56600HP9200 | MIRROR ASS'Y, rear view L | |

FIG 44

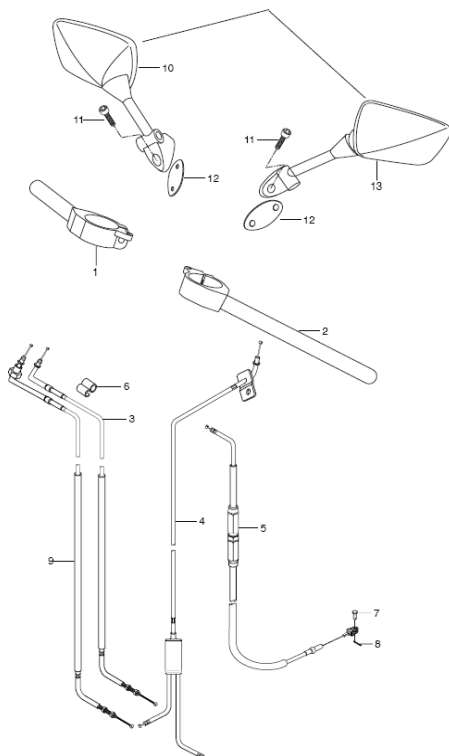
SET PART NUMBER
56501HP9200

FIG 44-1. HANDLE BAR(HIGH)

| REF. NO. | PAT01 | PART NAME | Q'TY |
|----------|----------------|------------------------------------|------|
| 1 | 56110HN9102WED | HANDLE BAR COMP | 1 |
| 2 | 58200HN9104 | CABLE ASS'Y.CLUTCH | 1 |
| 3 | 58300HN9104 | CABLE ASS'Y.THROTTLE | 1 |
| 4 | 58410HN9103 | CABLE COMP,STARTER | 1 |
| 5 | 56500HN9100 | MIRROR ASS'Y, rear view RH | 1 |
| 6 | 56600HN9100 | MIRROR ASS'Y, rear view LH | 1 |
| 7 | 09200-06004 | PIN CLTCH | 1 |
| 8 | 04111-20158 | COTTER PIN, clutch | 1 |
| 9 | 58600HN9103 | CABLE,throttle return | 1 |
| 10 | 09408-00002 | CLIP, throttle cable &return cable | 1 |

FIG 44-1

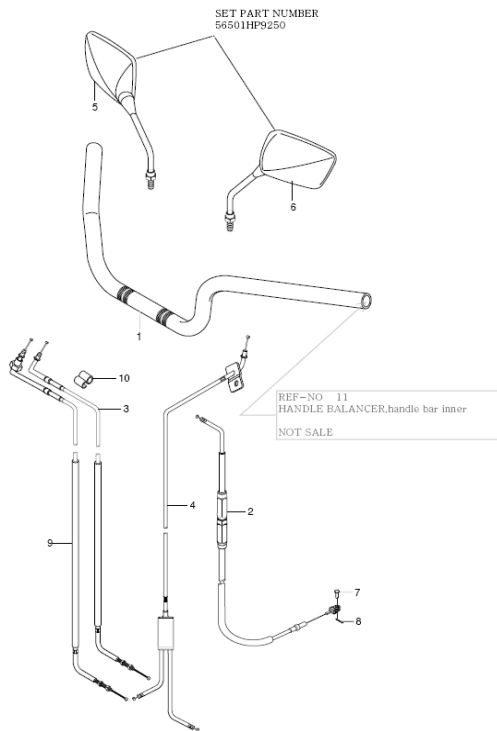


FIG 46. CALIPER LH

FIG 46

| REF. NO. | PAT01 | PART NAME | Q'TY |
|----------|-------------|-------------------------------|------|
| 0 | 59300HN9100 | CALIPER ASS'Y, L | 1 |
| 1 | 07120-08308 | BOLT, caliper | 2 |
| 2 | 01514-06106 | BOLT, speedometer cable guide | 1 |
| 3 | 59266HN9100 | GUIDE, speedometer cable | 1 |
| 4 | 59301HP9500 | PAD SET(8.4t) | 1 |
| 5 | 59360HN9100 | CARRIER ASS'Y, F/T caliper LH | 1 |
| 6 | 59303HG5100 | PISTON SET, caliper | 1 |
| 7 | 59313HG5100 | INSULATOR, caliper | 1 |
| 8 | 59302HG5100 | AXLE, caliper pad | 1 |
| 9 | 59121HG5100 | BREATHER | 2 |
| 10 | 59305HG5100 | SPRING | 1 |
| 11 | 59122HG5100 | CAP | 2 |
| 12 | 59312HG5100 | BOOT | 1 |

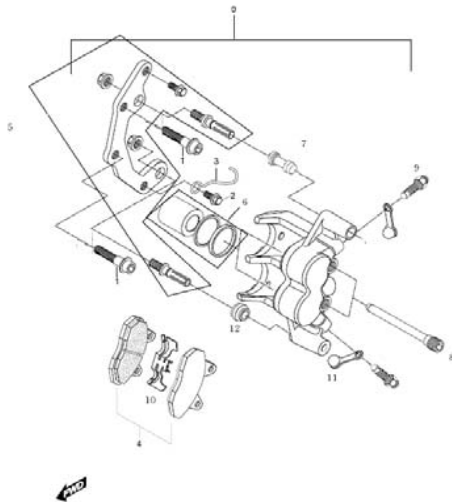


FIG 47. CALIPER RH

| REF. NO. | PAT01 | PART NAME | Q'TY |
|----------|-------------|-------------------------------|------|
| 0 | 59400HN9100 | CALIPER ASS'Y, R | 1 |
| 1 | 07120-08258 | BOLT, caliper | 2 |
| 2 | 59301HP9500 | PAD SET(8.4t) | 1 |
| 3 | 59350HN9100 | CARRIER ASS'Y, F/T caliper RH | 1 |
| 4 | 59303HG5100 | PISTON SET, caliper | 1 |
| 5 | 59313HG5100 | INSULTOR, caliper | 1 |
| 6 | 59302HG5100 | AXLE, caliper pad | 1 |
| 7 | 59121HG5100 | BREATHER | 2 |
| 8 | 59305HG5100 | SPRING | 1 |
| 9 | 59122HG5100 | CAP | 2 |
| 10 | 59312HG5100 | BOOT | 1 |

FIG. 47

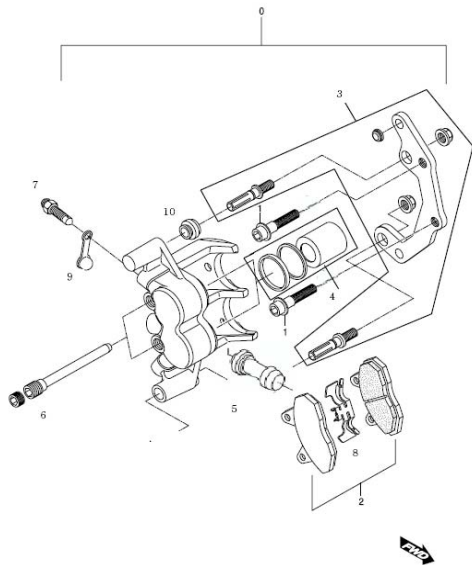


FIG 48. MASTER CYLINDER

| REF. NO. | PAT01 | PART NAME | Q'TY |
|----------|-------------|--|------|
| 0 | 59600HN9102 | CYLINDER ASS'Y, front master KM4MP51A351103171~ | 1 |
| 0-1 | 59600HP9201 | CYLINDER ASS'Y, front master KM4MP51C961101458~ | 1 |
| 1 | 59687HM8162 | BODY | 1 |
| 2 | 59669SN9110 | CAP SET, master cylinder | 1 |
| 2-A | 59669HN9100 | CAP, Master Cylinder | 1 |
| 2-B | 59511HP9200 | PLATE, reservoir cap | 1 |
| 3 | 59610HN9100 | PISTON, SET | 1 |
| 4 | 59691-35C00 | SCREW | 2 |
| 5 | 59671-35C00 | HOLDER | 1 |
| 6 | 01107-35C00 | BOLT, holder | 2 |
| 7 | 59667HP9200 | DIAPHRAGM | 1 |

FIG.48

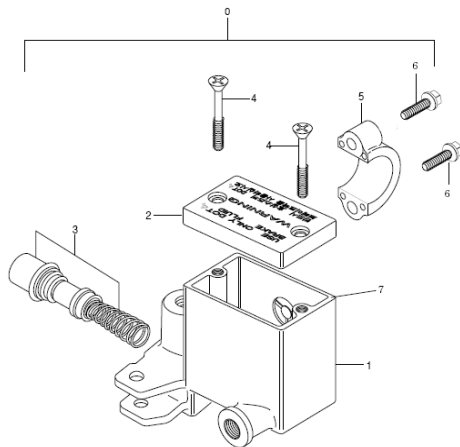


FIG 49. FRONT BRAKE HOSE

| REF. NO. | PAT01 | PART NAME | Q'TY |
|----------|-------------|------------------------------|------|
| 1 | 59711H49002 | BOOT, brake hose | 1 |
| 2 | | HOSE COMP, FT brake R | 1 |
| 3 | 09161-10005 | WASHER, brake hose | 12 |
| 4 | | HOSE COMP, front brake upper | 1 |
| 5 | 69480HM8104 | HOSE COMP, rear brake | 1 |
| 6 | 09161-10005 | WASHER, rear brake fluid | 4 |
| 7 | 09360-10039 | BOLT, rear brake fluid | 8 |
| 8 | | HOSE COMP, FT brake L | 1 |
| 9 | 59480HP9400 | HOSE COMP, FT BRAKE | 1 |
| 10 | 01547-06303 | BOLT | 1 |

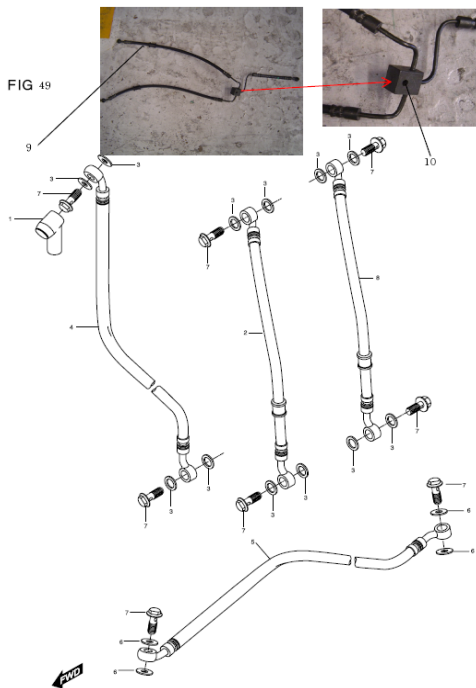


FIG 50. SWINGING ARM

| REF. NO. | PAT01 | PART NAME | Q'TY |
|----------|----------------|-------------------------------------|------|
| 0 | 61100HN9106HPA | REAR SWINGARM ASS'Y | 1 |
| | 61100SN9106120 | REAR SWINGARM ASS'Y(Black) | |
| 1 | 61100HN9106 | SWINGARM COMP, rear | 1 |
| | 61100HN9106120 | SWINGARM COMP, rear(Black) | |
| 2 | 61273HN9100 | BUFFER, chain touch defense | 1 |
| 3 | 02142-06166 | BOLT, chain touch defense buffer | 2 |
| 4 | 09169-06032 | WASHER, chain touch defense buffer | 2 |
| 5 | 61510HM8100 | GUIDE, rear brake hose No.1 | 1 |
| 6 | 09263-22017 | BEARING, rear swingarm pivot | 2 |
| 7 | 61252HN9100 | SPACER, rear swingarm pivot R | 1 |
| 8 | 61251HM8100 | SPACER, rear swingarm pivot bearing | 1 |
| 9 | 02142-06128 | BOLT, RR brake hose guide NO.1 | 1 |
| 10 | 09283-20031 | SEAL, rear cushion rod | 2 |
| 11 | 09263H20003 | BEARING, rear cushion rod | 2 |
| 12 | 09180H14001 | SPACER, rear cushion rod | 1 |
| 13 | 08211-14341 | WASHER, rear cushion rod | 2 |
| 14 | 09159H14008 | NUT, rear cushion rod | 2 |
| 15 | 09103H14001 | BOLT, rear cushion rod | 2 |
| 16 | 62641HN9100 | ROD, rear cushion lever | 2 |
| 17 | 09180H10073 | SPACER, rear cushion lever rear | 1 |
| 18 | 09263H17002 | BEARING, rear cushion lever rear | 1 |
| 19 | 08316-16088 | NUT, chain adjuster | 2 |
| 20 | 09103H08608 | BOLT, chain adjuster | 2 |
| 21 | 61262-45002 | COVER, rear swingarm pivot | 2 |
| 22 | 09263H20003 | BEARING, rear cushion lever center | 2 |
| 23 | 62611HG5800 | LEVER, rear cushion | 1 |
| 24 | 09284H33003 | DUST SEAL, rear cushion lever front | 2 |
| 25 | 09263-20073 | BEARING, rear cushion lever front | 1 |
| 26 | 09180H12001 | SPACER, rear cushion lever front | 2 |
| 27 | 09103H12046 | BOLT, rear cushion lever front | 1 |
| 28 | 08319-31128 | NUT, rear cushion lever front | 1 |
| 29 | 09284H32001 | SEAL, rear cushion lever center | 2 |
| 30 | 62611HN9100HPA | LEVER, REAR cushion ASS'Y | 1 |
| 31 | 68320HN9150PL | LABEL, chain case | 1 |

FIG 50

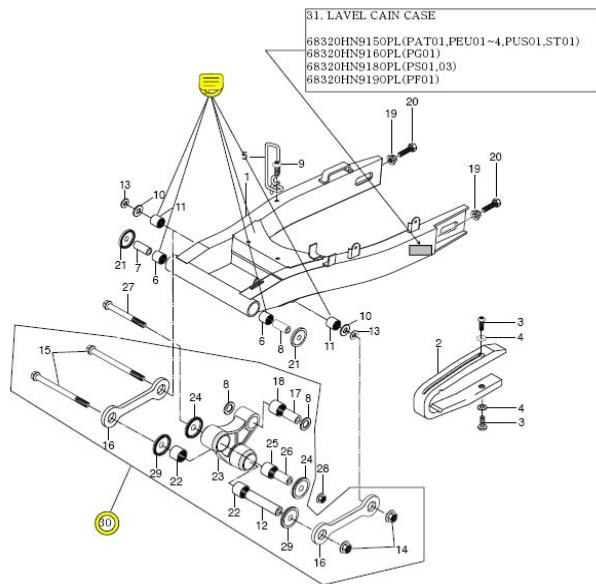


FIG 51. REAR SHOCK ABSORBER

| REF. NO. | PAT01 | PART NAME | Q'TY |
|----------|-------------|-----------------------------------|------|
| 1 | 62100HP9201 | SHOCK ABSORBER ASS'Y rear | 1 |
| 2 | 09103H10101 | BOLT, rear shock absorber upper | 1 |
| 3 | 08319-31108 | NUT, rear shock absorber upper | 2 |
| 4 | 09103H10101 | BOLT, rear shock absorber lower | 1 |
| 5 | 61310HM8102 | CASE COMP, chain | 1 |
| 6 | 09111H06066 | BOLT, chain case | 2 |
| 7 | 09160-10001 | WASHER, rear shock absorber lower | 1 |

FIG 51

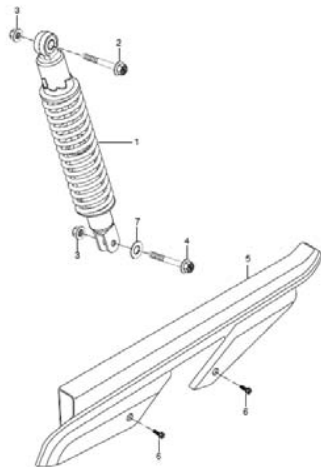
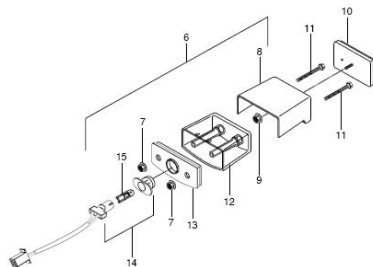
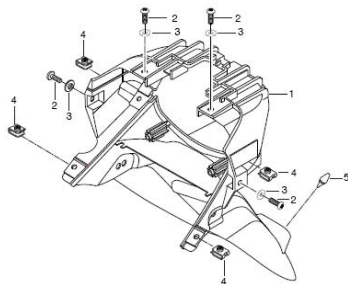


FIG 52. REAR FENDER

| REF. NO. | PAT01 | PART NAME | Q'TY |
|----------|----------------|------------------------------|------|
| 1 | 63111HM810112A | FENDER, rear | 1 |
| 2 | 01517-06206 | BOLT, rr fender | 4 |
| 3 | 09169-06032 | WASHER, rr fender | 4 |
| 4 | 09148-05039 | NUT, rr fender | 4 |
| 5 | 09321-06023 | CUSHION, license plate | 1 |
| 6 | 35910HG5150 | LAMP ASS'Y, license plate | 1 |
| 7 | 08316-26055 | NUT, license lamp(M5) | 2 |
| 8 | 35915HL7300 | COVER, license lamp | 2 |
| 9 | 08316-26055 | NUT, license lamp | 2 |
| 10 | 35970-17303 | REFLEX REFLECTOR ASS'Y, rear | 1 |
| 11 | 01107-05605 | SCREW, license lamp | 2 |
| 12 | 35911HG5800 | LENS, license | 1 |
| 13 | 35912HG5800 | HOUSING, license | 1 |
| 14 | 35916HG5800 | CORD ASS'Y | 1 |
| 15 | 09471-12210 | BULB, license lamp(12V/5W) | 1 |

FIG 52



FWD

FIG 53. REAR WHEEL

| REF. NO. | PAT01 | PART NAME | Q'TY |
|----------|----------------|--|------|
| 1 | 64150HN9100 | WHEEL COMP, rear (J17xMT4.50) | 1 |
| 1-1 | 64150HN9100120 | WHEEL COMP, rear (J17xMT4.50)(Black) | 1 |
| 1-2 | 64150HN9100HPA | WHEEL + BEARING black | 1 |
| 2 | 65100HN9101 | TIRE COMP, rear (160/60-17 69W) | 1 |
| 3 | 55220-29C20 | VALVE ASS'Y, wheel rim | 1 |
| 4 | 64711HN9101 | AXLE, rear | 1 |
| 5 | 09159H16002 | NUT, rear axle | 1 |
| 6 | 64741HM8100 | SPACER, rear axle R | 1 |
| 7 | 64751HM8100 | SPACER, rear axle L | 1 |
| 8 | 64611HN910103P | DRUM, rear sprocket mounting | 1 |
| 8~1 | 64611HN9150120 | DRUM, rear sprocket mounting KM4MP51B861100907~ | 1 |
| 9 | 64511HN9101 | SPROCKET, rear(44T) | 1 |
| 10 | 64733HM8100 | RETAINER, rear sprocket drum | 1 |
| 11 | 01517-08358 | BOLT, rear sprocket | 6 |
| 12 | 08319-31088 | NUT, rear sprocket | 6 |
| 13 | 09285-28001 | OIL SEAL, rear sprocket mounting drum | 1 |
| 14 | 08133-62047 | BEARING, rear sprocket mounting drum | 1 |
| 15 | 64162HN9100 | WASHER, rear sprocket | 3 |
| 16 | 64651HM8101 | SHOCKABSORBER, rear wheel | 6 |
| 17 | 64731HM8100 | SPACER, rear wheel bearing | 1 |
| 18 | 08133-62037 | BEARING, rear wheel L | 1 |
| 19 | 08133-62037 | BEARING, rear wheel R | 1 |
| 20 | 09283-27010 | O-RING, rear hub R | 1 |
| 21 | 69211HM8102 | DISK, rear brake | 1 |
| 22 | 59421-03A01 | BOLT, rear brake disk | 6 |
| 23 | 61411HN9100 | PLATE, chain adjuster R | 1 |
| 24 | 61511HN9100 | PLATE, chain adjuster L | 1 |
| 25 | 69340HM810303P | CARRIER, caliper | 1 |
| 25~1 | 69340HM8170120 | CARRIER, caliper KM4MP51B861100907~ | 1 |
| 26 | 61610HM8101 | GUIDE, rr brake hose NO. 2 | 1 |
| 27 | 09280-55001 | O-RING, rear hub L | 1 |
| 28 | 01517-06128 | BOLT, rr brake hose guide NO. 2 | 1 |

FIG 53

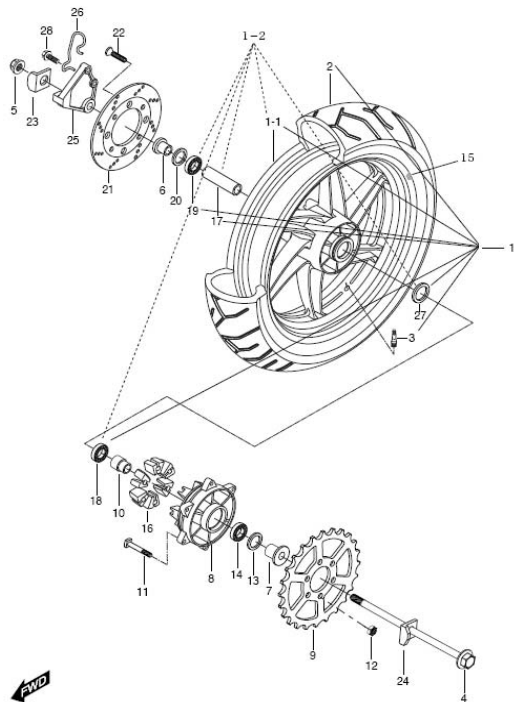


FIG 54. REAR CALIPER

FIG 54

| REF. NO. | PAT01 | PART NAME | Q'TY |
|-------------|-------------|---------------------------|------|
| 0-1 | 69300HN9102 | CALIPER ASS'Y, rear brake | 1 |
| 1 | 69300HN9101 | BOLT, caliper | 1 |
| 2 | 59301HP9500 | PAD SET(8.4t) | 1 |

