



**GT650RNW**



**GT650RBK**



**GT650RDR**



**GT650RNR**



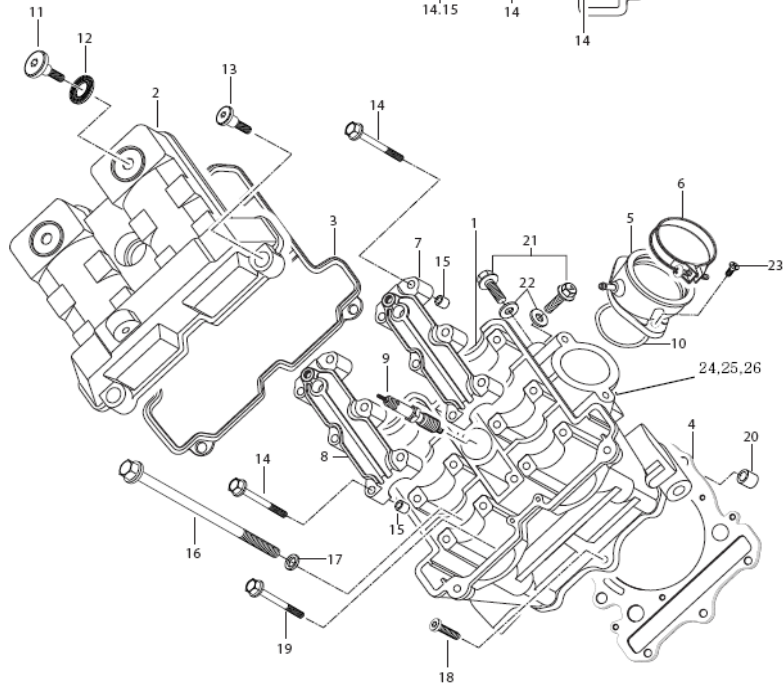
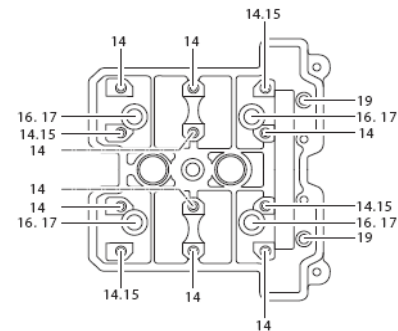
**GT650RNS**

**FIG 1-1. CYLINDER HEAD/(FRONT)**

FIG 1-1

REF. NO.	PART NAME	Q'TY
----------	-----------	------

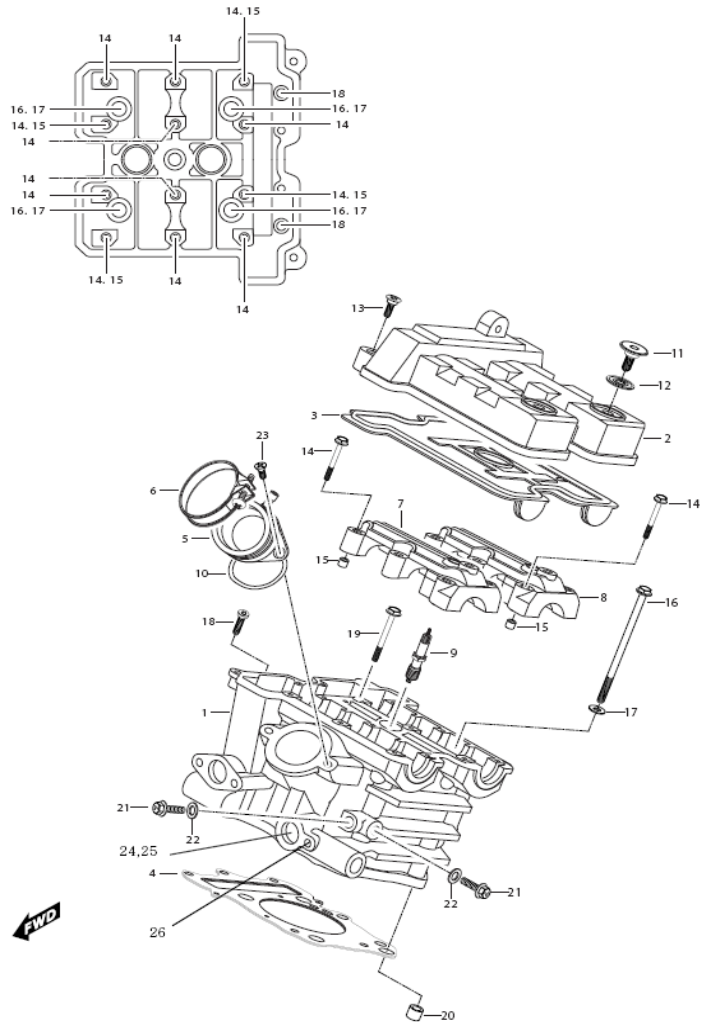
1	11110HN910PCH	HEAD ASS'Y, cylinder front	1
2	11171HN9100121	COVER, cylinder head front	1
3	11173HN9100	GASKET, cylinder head cover	1
4	11141HN9101	GASKET, cylinder head	1
5	13110HP9300	PIPE COMP, intake front	1
6	09402-56208	CLAMP, carburetor	1
7	11131HN9100PCH	HOUSING, camshaft intake	1
8	11132HN9100PCH	HOUSING, camshaft exhaust	1
9	09482-00456	PLUG, spark CR8E	1
10	13131HN9100	O-RING, intake pipe	1
11	09109H07018	BOLT, cylinder head cover NO.1	2
12	09161H11008	WASHER, cylinder head cover	2
13	09106H07017	BOLT, cylinder head cover NO.2	2
14	09103H06002	BOLT, camshaft housing	12
15	09206-08001	KNOCK PIN, camshaft housing	4
16	09103H10001	BOLT, cylinder head (M10)	4
17	09160H10002	WASHER, cylinder head bolt	4
18	07120-06408	BOLT, cylinder head NO.1 (M6)	2
19	09103H06001	BOLT, cylinder head NO.2 (M6)	1
20	04213-13189	PIN, cylinder knock	4
21	01514-08128	BOLT, oil gallery	2
22	09168-08008	GASKET, oil gallery bolt	2
23	02122-06208	SCREW, crank outer	2
24	09280H19001	O-RING, connector hose union	1
25	17680HN9101	UNION COMP, connector	1
26	07110-06108	BOLT	1



# FIG 1-2. CYLINDER HEAD/(REAR)

# FIG 1-2

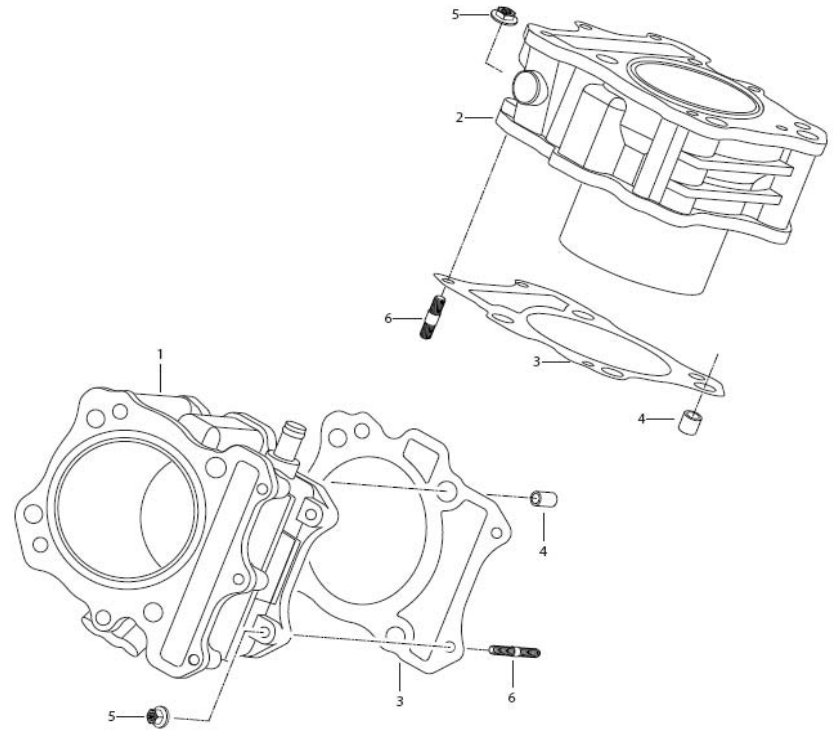
REF. NO.	PART NAME	Q'TY
1	11120HN9110PCH HEAD ASS'Y, cylinder rear	1
2	11171HN9100121 COVER, cylinder head rear	1
3	11173HN9100 GASKET, cylinder head cover	1
4	11141HN9101 GASKET, cylinder head	1
5	13120HP9300 PIPE COMP, intake rear	1
6	09402-56208 CLAMP, carburetor	1
7	11131HN9100PCH HOUSING, camshaft intake	1
8	11132HN9100PCH HOUSING, camshaft exhaust	1
9	09482-00456 PLUG, spark CR8E	1
10	13131HN9100 O-RING, intake pipe	1
11	09109H07018 BOLT, cylinder head cover NO.1	2
12	09161H11008 WASHER, cylinder head cover	2
13	09106H07017 BOLT, cylinder head cover NO.2	2
14	09103H06002 BOLT, camshaft housing	12
15	09206-08001 KNOCK PIN, camshaft housing	4
16	09103H10001 BOLT, cylinder head (M10)	4
17	09160H10002 WASHER, cylinder head bolt	4
18	07120-06408 BOLT, cylinder head NO.1 (M6)	2
19	09103H06001 BOLT, cylinder head NO.2 (M6)	1
20	04213-13189 PIN, cylinder head knock	4
21	01514-08128 BOLT, oil gallery	2
22	09168-08008 GASKET, oil gallery bolt	2
23	02122-06208 SCREW, crank outer	2
24	09280H19001 O-RING, connector hose union	1
25	17680HN9101 UNION COMP, connector	1
26	07110-06108 BOLT	1



## FIG 2. CYLINDER /FRONT, REAR

FIG 2

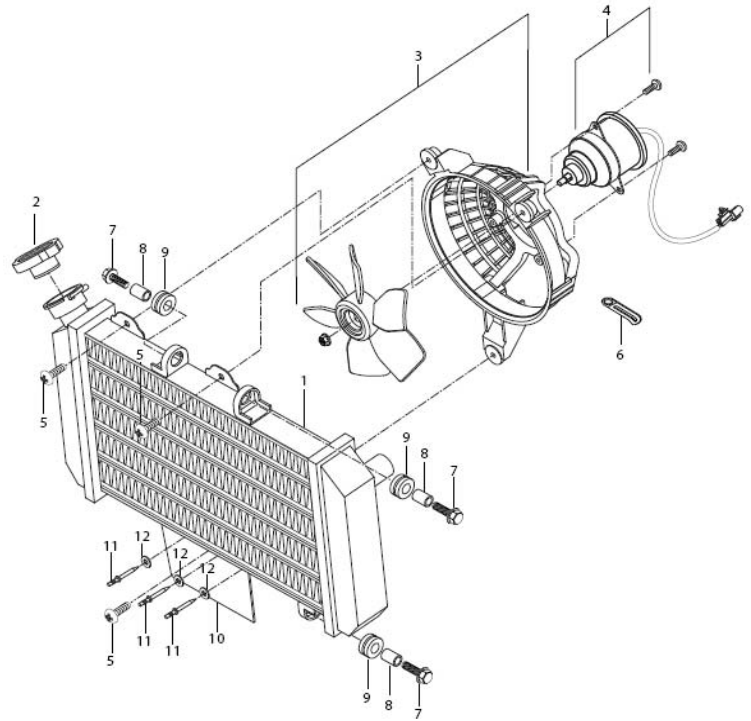
REF. NO.	PART NAME	Q'TY
1	11210HN91110PCY CYLINDER COMP, front	1
2	11220HN9110PCY CYLINDER COMP, rear	1
3	11241HN9101 GASKET, cylinder	2
4	04213-13189 PIN, cylinder head knock	4
5	08316-16068 NUT, cylinder (M6)	4
6	01421-06258 BOLT, cylinder stud (M6)	4



# FIG 3. RADIATOR

REF. NO.		PART NAME	Q`TY
1	17710HN9102	RADIATOR COMP, water	1
2	17720HN9100	CAP COMP, radiator	1
3	17800HN9102	FAN ASS`Y, radiator	1
4	17810HN9100	MOTOR ASS`Y, radiator fan	1
5	02142-05165	BOLT, radiator fan	3
6	09404-06429	CLAMP, radiator fan	1
7	09116-06143	BOLT, radiator	3
8	09180-06030	SPACER, radiator	3
9	09320-10015	CUSHION, radiator	3
10	17761HN9100	MUD GUARD, radiator	1
11	09229-03011	RIVET, mud guard	3
12	68928-09F00	WASHER, mud guard rivet	3
13	68150HN9100	PLATE, radiator	2
14	68170HN9100	LABEL, radiator	1

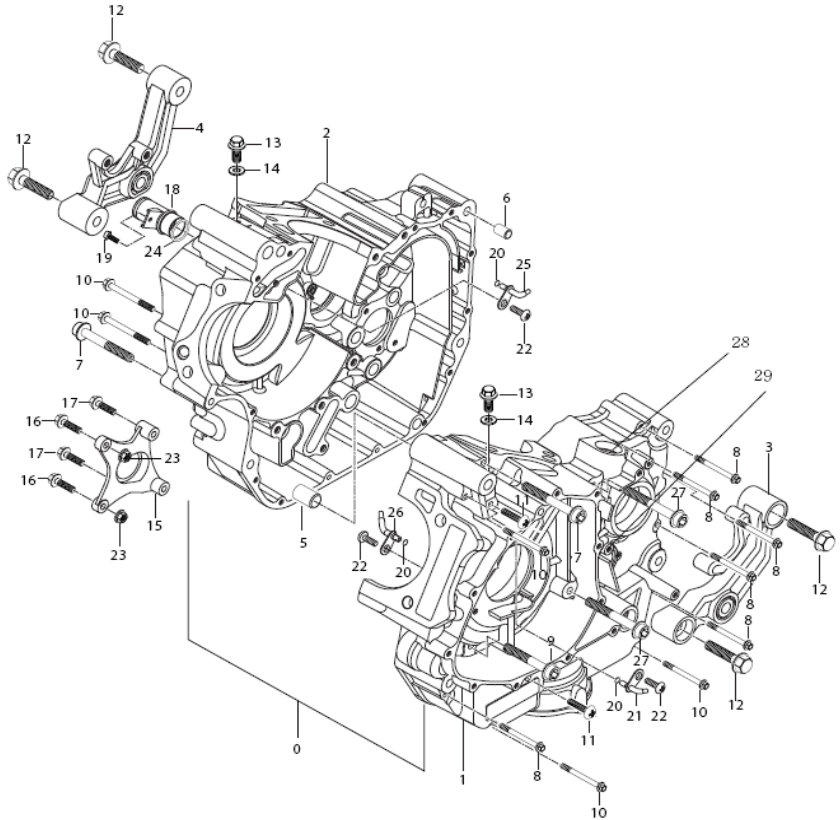
FIG 3



**FIG 4. CRANK CASE****FIG 4**

REF. NO.	PART NAME	Q'TY
----------	-----------	------

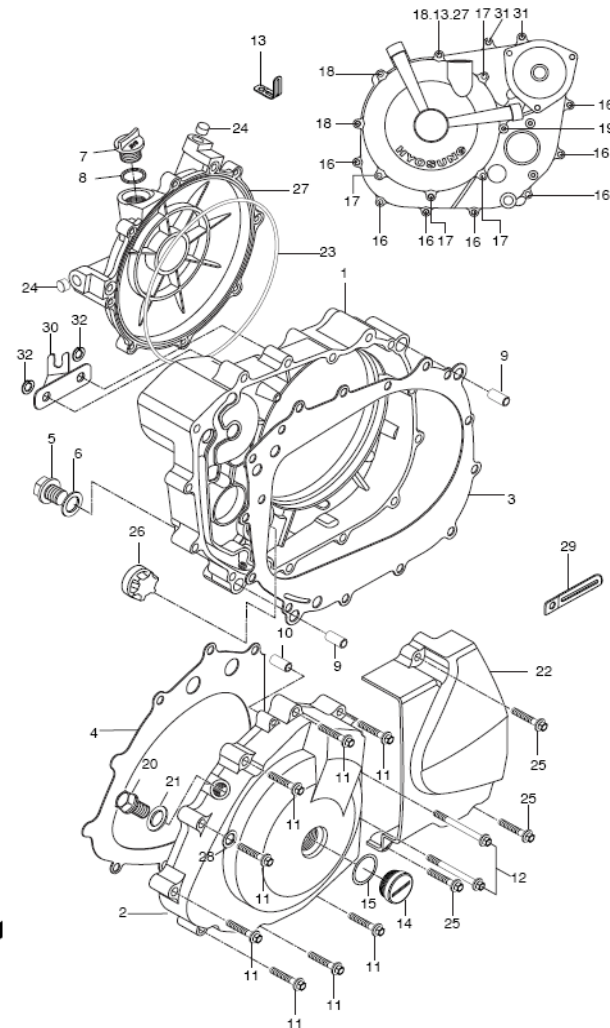
1	11320HN9110PCC	CRANKCASE COMP, L	1
2	11310HN9110PCC	CRANKCASE COMP, R	1
3	41171HN9101121	LINK, engine mounting L(Black)	1
4	41161HN9101121	LINK, engine mounting R(Black)	1
5	09206H18001	PIN, crank case knock	1
6	04213-13189	PIN, crank case knock	2
7	07120-08608	BOLT, crank case M8	2
8	01547-06608	BOLT, crank case M6	6
9	07120-08708	BOLT, crank case M8	2
10	01547-06808	BOLT, crankcase M6	6
11	02112-06958	SCREW, crankcase	2
12	01517-10458	BOLT, engine mounting link & cylhead	4
13	01514-08128	BOLT, oil gallery	2
14	09168-08008	GASKET, oil gallery bolt	2
15	31135HN9100121	BRACKET, starter motor	1
16	01547-06258	BOLT, starter motor braket	2
17	01547-06308	BOLT, starter motor	2
18	17481HN9100	UNION, water pump hose	1
19	07110-06108	BOLT, water hose union	1
20	09280H04001	O-RING, oil jet	3
21	11440HN9100	JET COMP, starter clutch oil	1
22	02112-06108	SCREW, oil jet	3
23	08313-11068	NUT, starter motor bracket	2
24	09280H21001	O-RING, water pump union	1
25	11430HN9100	JET COMP, piston rear oil	1
26	11420HN9100	JET COMP, piston front oil	1
27	09103H08001	BOLT, crank case M8(L100)	2
28	09263H18001	BG, clutch release cam No1	1
29	09263H10009	BG, clutch release cam No2	1



# FIG 5. CRANK CASE COVER

FIG 5

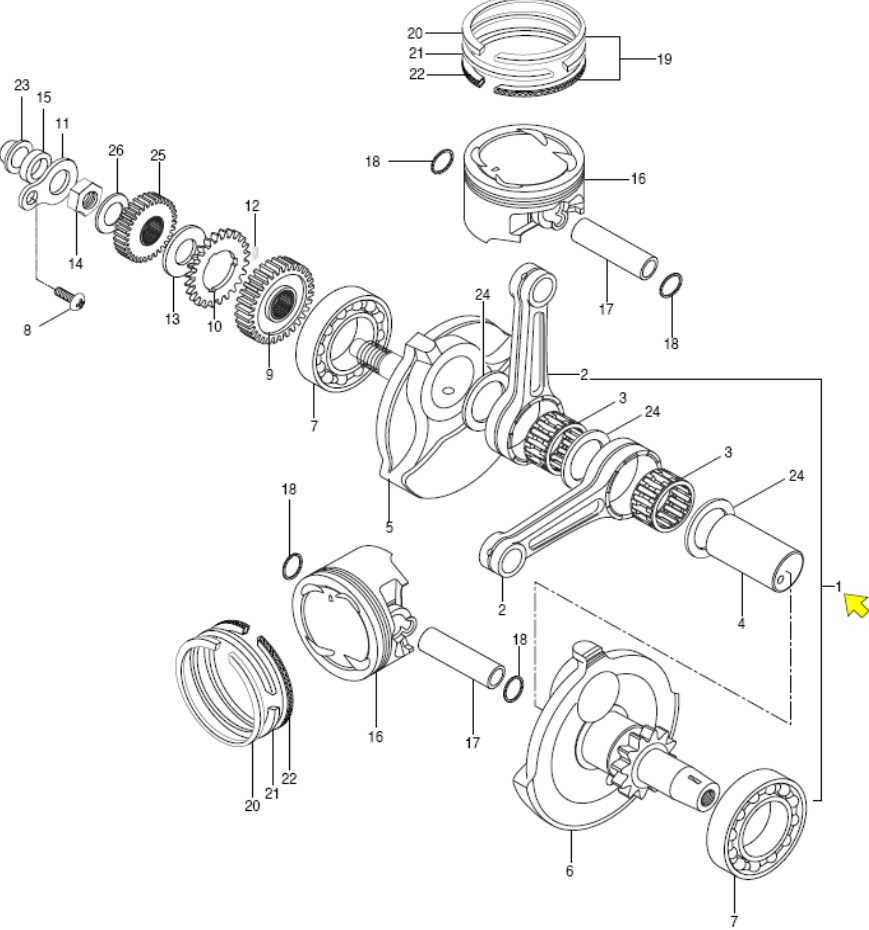
REF. NO.	PART NAME	Q`TY
1	11331HN9102121 COVER COMP, clutch (With oil lens & plug)	1
2	11351HN91020121 COVER , magneto	1
3	11481HN9101 GASKET, clutch cover (NA)	1
4	11483HN9101 GASKET, magneto cover	1
5	09247-14026 PLUG, oil check	1
6	09168H14003 GASKET, oil check plug	1
7	09259-2000903P PLUG, engine oil filler	1
8	09280-17003 O-RING, engine oil filler plug	1
9	04213-13189 PIN, clutch cover knock	2
10	04213-09129 PIN, magneto cover knock	1
11	01547-06358 BOLT, magneto cover	8
12	01547-06558 BOLT, magneto cover	2
13	09404-06401 CLAMP, clutch cover	1
14	09259-2601503P PLUG, crankshaft hole	1
15	09280-22008 O-RING, crankshaft hole plug	1
16	01547-06358 BOLT, clutch cover	9
17	01547-06258 BOLT, clutch cover outer	4
18	01547-06708 BOLT, clutch cover outer	3
19	01547-06508 BOLT, clutch cover outer	1
20	09247H12102 PLUG, TDC	1
21	09168H12003 GASKET, TDC plug	1
22	11361HN9100121 COVER, engine sprocket	1
23	11482HN9100 O-RING, clutch outer cover	1
24	09243-11005 PLUG, oil gallery	3
25	01547-06258 BOLT, engine sprocket cover	3
26	11332HN9100 LENS, oil level check	1
27	11341HN9101121 COV CLUTCH, outer	1
28	09168H06019 GASKET, magneto cover bolt	2
29	09404-06401 CLAMP	1
30	13353HP9401 BRACKET, carburetor adjust	1
31	01547-06408 BOLT,magnet cover	2
32	08321-31088 LOCK, washer	2



# FIG 6. CRANK SHAFT

FIG 6

REF. NO.	PART NAME	Q'TY
1	12200HN9100HPA CRANK SHAFT ASS'Y	1
2	12161HN9101 ROD, connecting	2
3	09263H37001 BEARING, crank pin	2
4	12211HN9100HPA PIN COMP, crank	1
5	12221HN9102CSA CRANK SHAFT, R	1
6	12261HN9102CSA CRANK SHAFT, L	1
7	09262H35001 BEARING, crank shaft	2
8	02112-06126 SCREW, crank shaft oil seal retainer	1
9	21111HN9100 GEAR, primary drive	1
10	21112HN9100 GEAR, primary drive NO.2	1
11	12281HN9100 RETAINER, crank shaft oil seal	1
12	21114-35C00 SPRING, primary drive gear	3
13	08211-22422 WASHER, primary drive gear thrust	1
14	09140H18001 NUT, primary drive gear	1
15	09282-12001 SEAL, crank shaft oil RH	1
16	12111HN9101 PISTON	2
17	12151HN9101 PIN, piston	2
18	09381H20001 CIRCLIP, piston pin	4
19	12140HN9100 RINGSET, piston	2
20	12141HN9100 RING, piston 1st	2
21	12142HN9100 RING, piston 2nd	2
22	12144HN9100 RING, piston oil	2
23	12291HN9100 JET, crank shaft RH	1
24	09160H37001 WASHER, connrod thrust	3
25	17511HN9103 GEAR, water pump drive	1
26	09164H18001 WASHER, water pump drive gear lock	1
27	12212HN9100 PLUG, crank pim	2

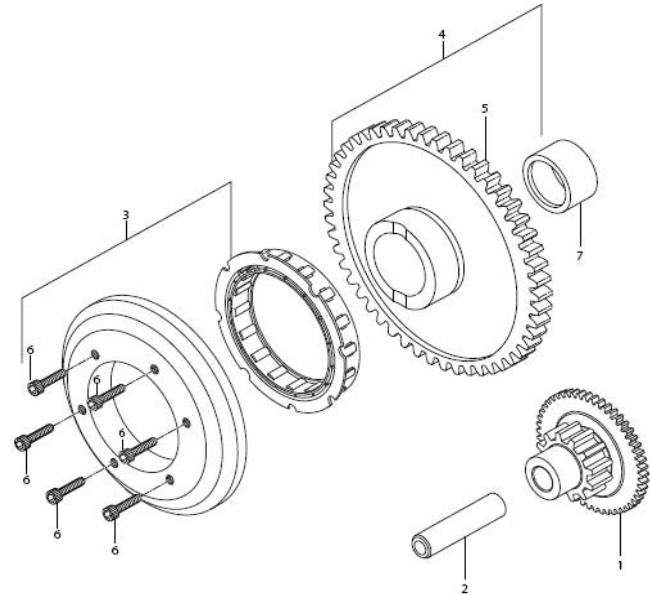




# **FIG 7. STARTER CLUTCH**

FIG.7

REF. NO.		PART NAME	Q`TY
1	12611HN9100	GEAR, starter idle	1
2	09206-13003	PIN,starter idle gear	1
3	12614HN9101	CLUTCH, starter one way	1
4	12620HN9102	GEAR COMP, starter clutch	1
5	12620HN9101	GEAR, starter clutch	1
6	07110-08168	BOLT, starter clutch	6
7	09304H27001	BUSH, starter clutch gear	1

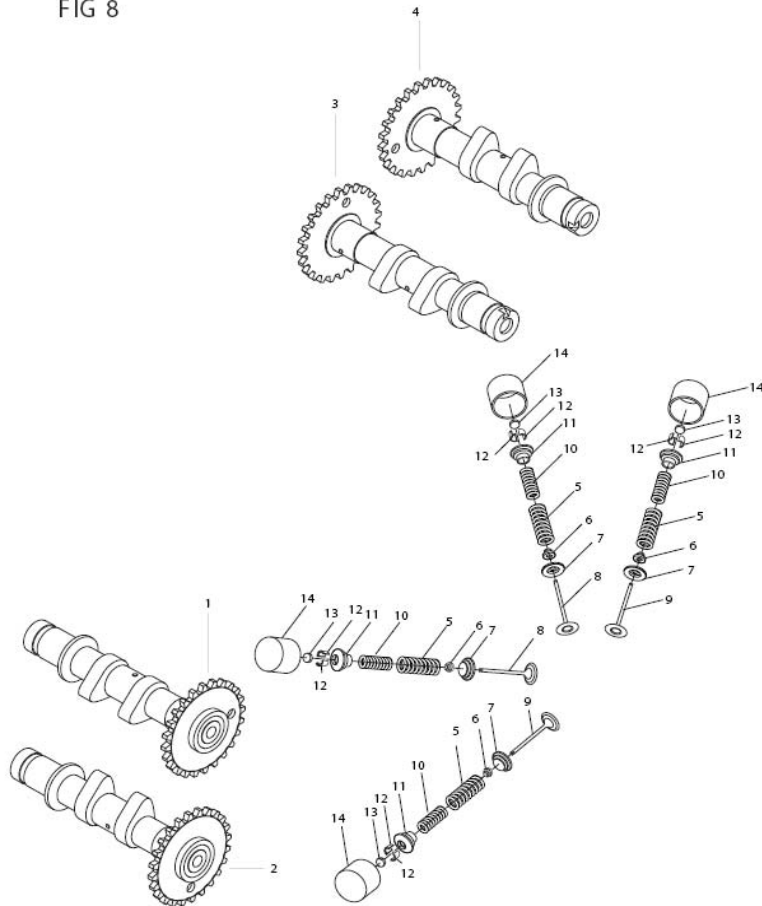


# FIG 8. CAMSHAFT / VALVE

REF. NO.	PART NAME	Q'TY
----------	-----------	------

1	12710HN9100HPA	CAMSHAFT ASS'Y, front intake	1
2	12730HN9100HPA	CAMSHAFT ASS'Y, front exhaust	1
3	12720HN9100HPA	CAMSHAFT ASS'Y, rear intake	1
4	12740HN9100HPA	CAMSHAFT ASS'Y, rear exhaust	1
5	12922HN9100	SPRING, valve outer	8
6	09289H04002	SEAL, valve stem oil	8
7	12933HN9100	SEAT, valve spring	8
8	12911HN9101	VALVE, intake	4
9	12912HN9101	VALVE, exhaust	4
10	12921HN9101	SPRING, valve inner	8
11	12931HN9100	RETAINER, valve spring	8
12	12932HJ8200	COTTER, valve	16
13	12892-05C00170	SHIM, tappet (size 120-220)	8
14	12881HN9100	TAPPET	8

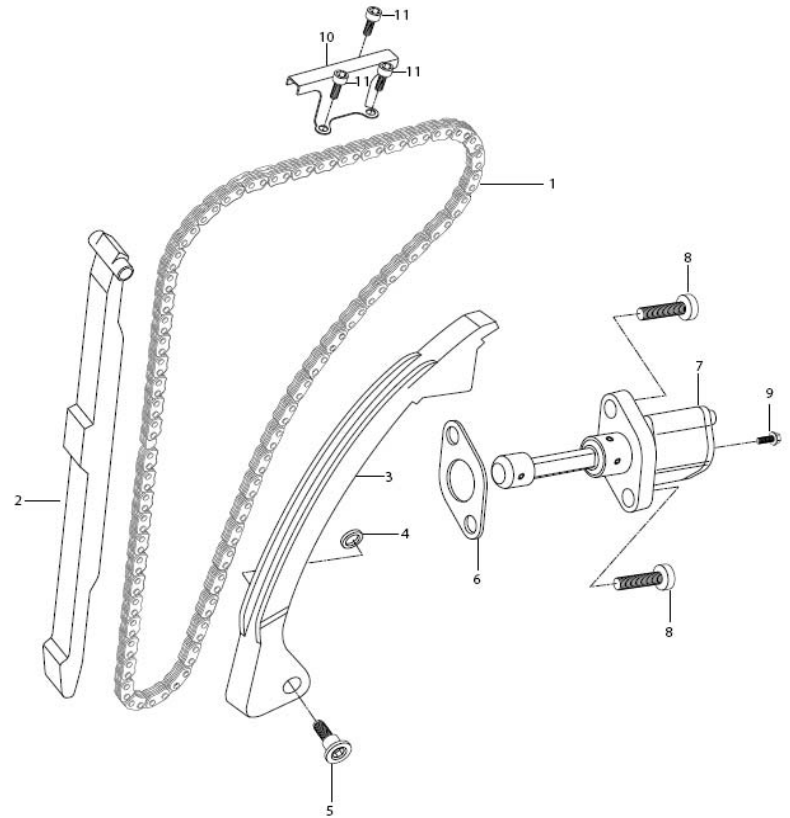
FIG 8



# FIG 9. CAM CHAIN

REF. NO.		PART NAME	Q'TY
1	12760HN9100	CHAIN COMP, camshaft drive	2
2	12771HN9100	GUIDE, camchain NO.1	2
3	12811HN9101	TENSIONER, camchain	2
4	08211-06181	WASHER, camchain tensioner bolt	2
5	12812HN9101	BOLT, camchain tensioner	1
6	12837HP8900	GASKET, tensioner adjuster	2
7	12830HN9120	ADJUSTER ASS'Y, tensioner	2
8	07110-06208	BOLT, tensioner adjuster	4
9	12839-38200	PLUG, adjuster	2
10	12782HN9100	GUIDE, camchain No.2	2
11	07110-06108	BOLT, camchain guide No.2	6

FIG 9

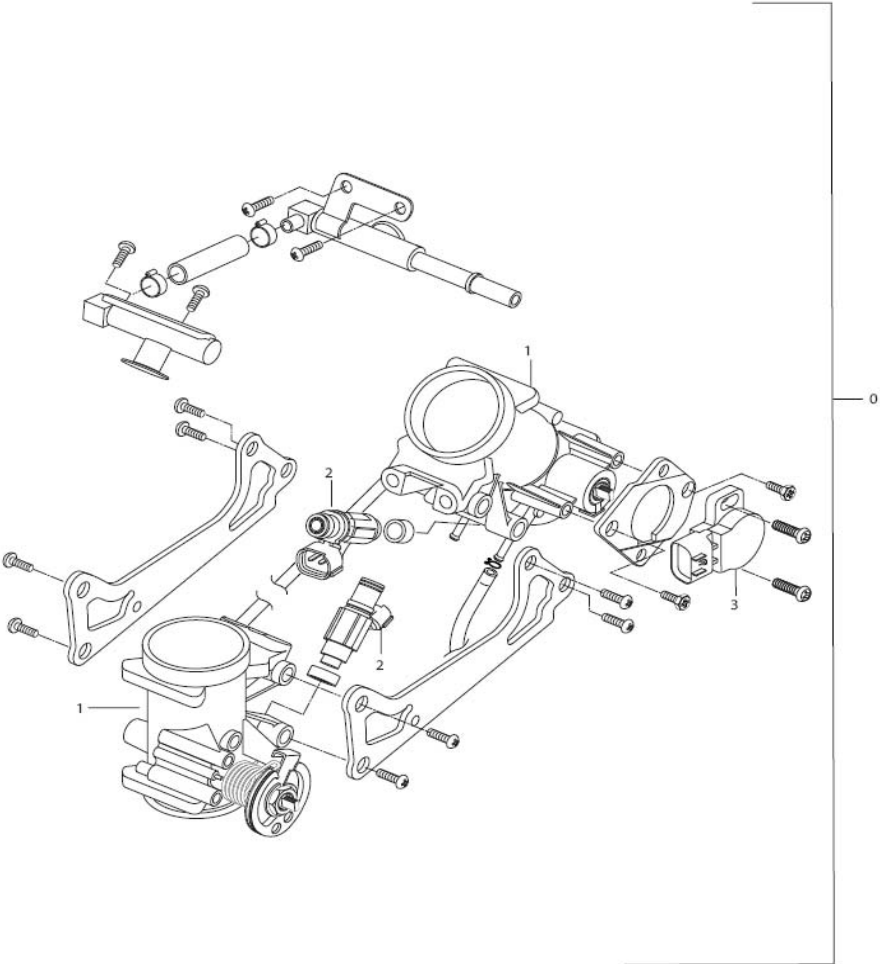


# FIG 10. THROTTLE BODY ASS'Y

REF. NO.	PART NAME	Q'TY
----------	-----------	------

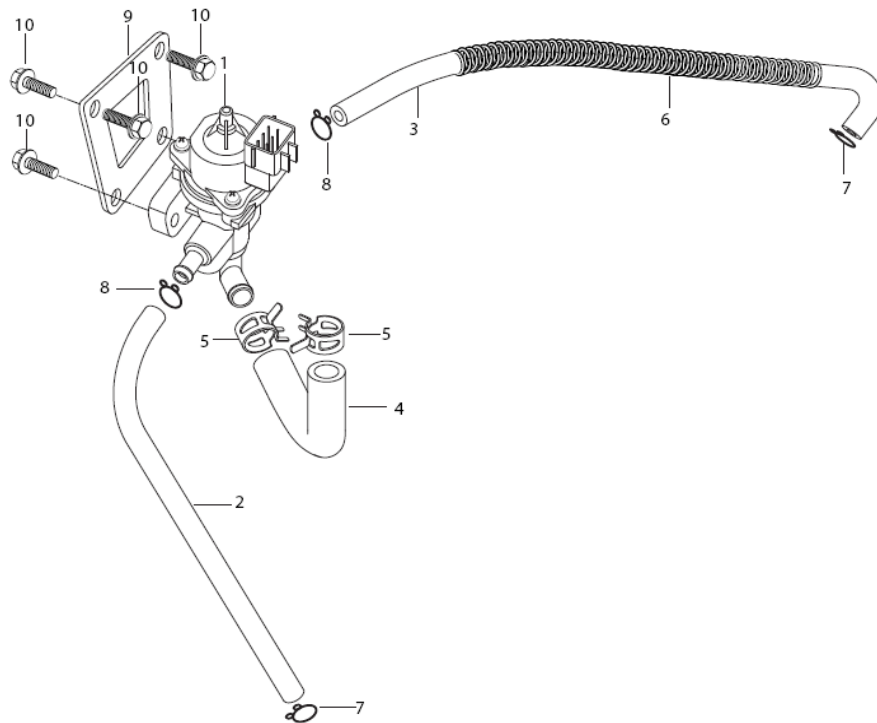
0	13400HP9310	BODY ASS'Y, throttle	1
1	13410HP9300	BODY COMP, throttle	2
2	15710HP9300	INJECTOR	2
3	13580HP9301	SENSOR, ihrottle position (tps)	1

FIG 10



**FIG 11.ISC**

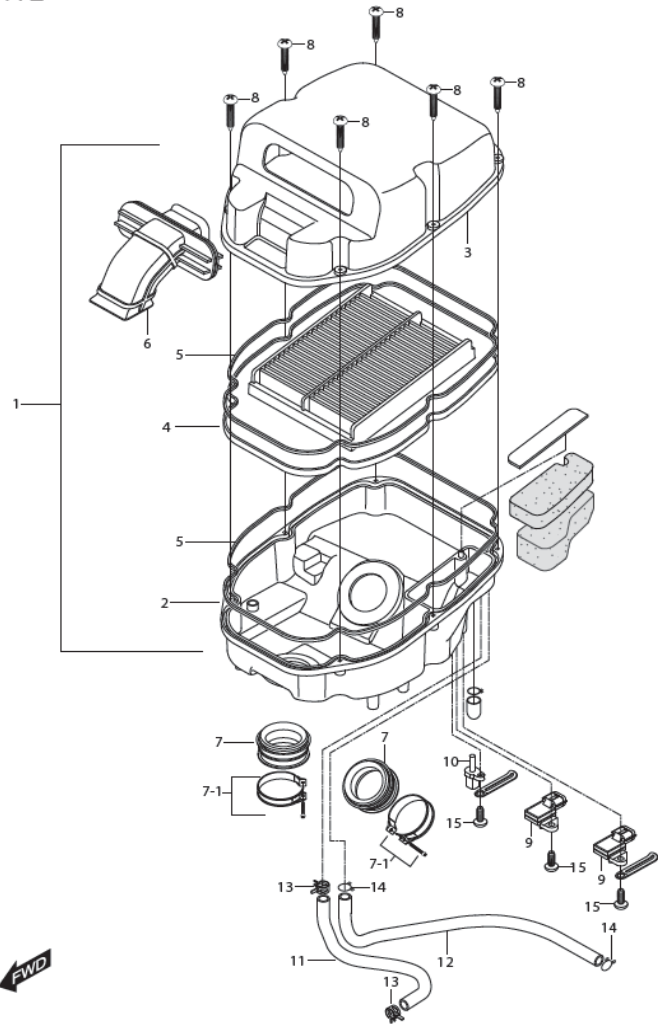
REF. NO.		PART NAME	Q'TY
1	37940HR8410	IDLE SPEED CONTROL SENSOR	1
2	18741HR9800	HOSE, isc No.1	1
3	18741HP9300	HOSE, isc No.2	1
4	18751H89300	HOSE, isc air cleaner	1
5	09401H16401	CLAMP, isc air cleaner hose	2
6	09440-13019	SPRING, isc No.2 hose	1
7	09401-10401	CLIP, isc hose	2
8	09401H11401	CLIP, isc	2
9	13790H89300	BRACKET, isc	1
10	01517-06005	BOLT, isc bracket	4

**FIG 11**

# FIG 12. AIR CLEANER&CHAMBER

# FIG.12

REF. NO.	PART NAME	Q`TY
1	13700H89302 CLEANER ASS'Y, air	1
2	13720HP9300 CASE COMP, air cleaner	1
3	13780HP9300 CAP, air cleaner	1
4	13780HM8100 FILTER COMP, air cleaner	1
5	13746HP9300 GASKET, air cleaner	2
6	13891HP9300 INLET, tube	1
7	13881HP9300 OUTLET, tube	2
8	09402-54207 CLAMP, outlet tube	2
9	03241-05256 SCREW	6
10	37920H89300 INTAKE, air pressure sensor(iaps)	2
11	37930H89300 INTAKE, air temperatvre sensor(iaps)	1
12	16821HP9800 HOSE, breather oil retrvn No.1	1
13	16831HN9101 HOSE, breather oil retrvn No.2	1
14	09401H16401 CLAMP, breather oil retrvn No.1	2
15	09401H14401 CLAMP, breather oil retrvn	2
16	03241-05125 SCREW	3

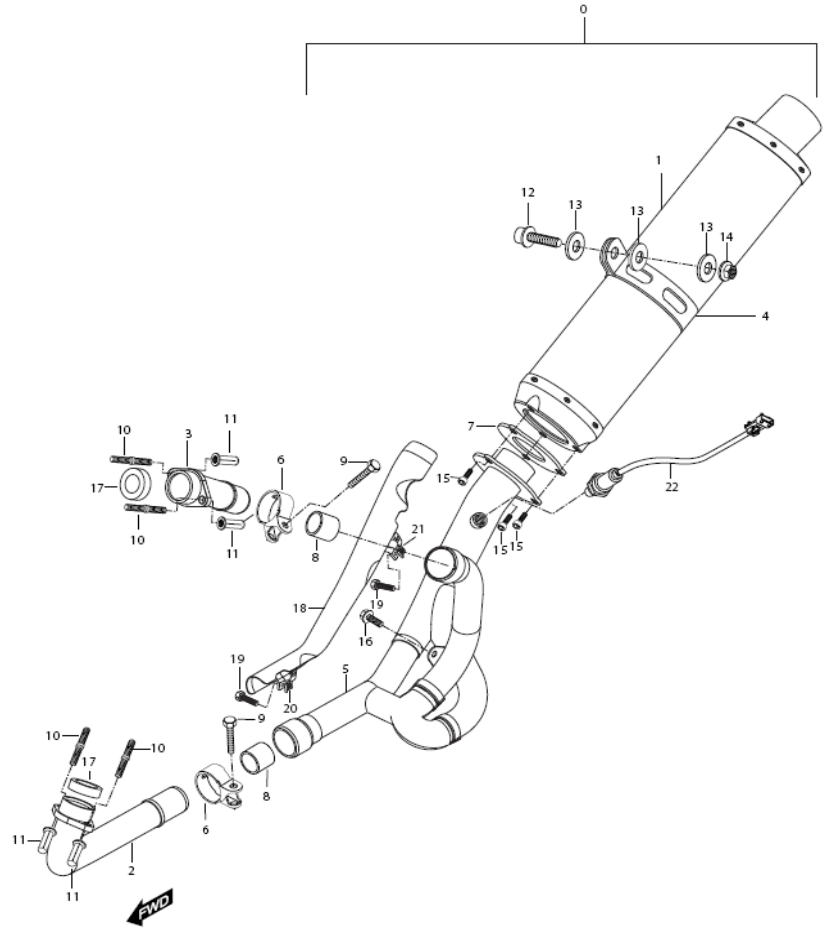


# FIG 13. MUFFLER

# FIG 13

REF. NO.	PART NAME	Q'TY
J01/7G01/7S01/7F01		

0	14305H89300PLH	MUFFLER, ASS'Y	1
1	14310H89300	BODY COMP, muffler	1
2	14160HN91020BF	PIPE COMP, exhaust front	1
3	14150HN91020BF	PIPE COMP, exhaust rear	1
4	14411HN91040BF	BRACKET, muffler support	1
5	14170HP89300BF	PIPE COMP, muffler joint	1
6	14770HN91010BF	CONNECTOR COMP, exhaust pipe	1
7	14314HN9101	GASKET, connector flange	1
8	14773HN9101	GASKET, connector exhaust pipe	2
9	01517-08358	BOLT, exhaust pipe connector comp	1
10	01421-08258	BOLT, exhaust pipe stud	2
11	09143H08001	NUT, exhaust pipe	2
12	01517-10458	BOLT, muffler support	4
13	09160-10102	WASHER, muffler support	4
14	08316-26108	NUT, muffler support	1
15	07120-08207	BOLT, connector flange	3
16	01137-08168	BOLT, muffler chamber bracket	1
17	14181HN9101	GASKET, exhaust	3
18	14186HN91000BF	COVER COMP, muffler	1
19	09110-06308	BOLT, exhaust pipe cover	2
20	14776HN9100	CLAMP OUTER, muffler cover No.1	1
21	14778HN9100	CLAMP OUTER, muffler cover No.2	1
22	37950H89300	SENSOR ASS'Y, oxygen	1

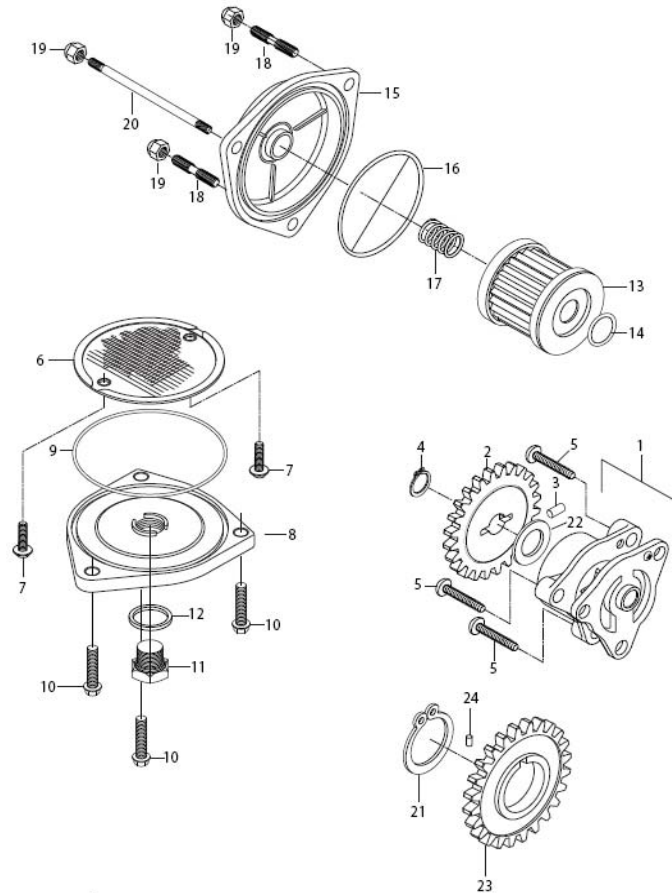


# FIG 14. OIL PUMP

FIG 14

REF. NO.	PART NAME	Q'TY
----------	-----------	------

1	16400HN9101	PUMP ASS'Y, oil	1				
2	16331HN9101	GEAR, oil pump driven	1				
3	09261H04001	PIN, oil pump driven gear	1				
4	08331-31109	CIRCLIP, oil pump driven gear	1				
5	02112-06258	SCREW, oil pump	3				
6	16520HN9100	STRAINER COMP, engine oil	1				
7	02112-95126	SCREW, engine oil strainer	2				
8	16523HN9100	CAP, oil strainer	1				
9	09280H82001	O-RING, oil strainer cap	1				
10	01547-06208	BOLT, oil strainer cap	3				
11~1	09247-14019	PLUG, oil drain	1				
12	09168H14003	GASKET, drain plug	1				
13	16510HN9101	FILTER COMP, engine oil	1				
14	09280H16001	O-RING, oil filter	1				
15	16512HN9101121	CAP, oil filter	1				
16	09280H69001	O-RING, oil filter cap	1				
17	09440H18001	SPRING, oil filter cap	1				
18	01421-06128	BOLT, oil filter cap stud	2				
19	08313-11068	NUT, oil filter cap	3				
20	01421-06758	BOLT, oil filter cap stud	1				
21	08331-31389	CIRCLIP, oil pump drive gear	1				
22	08221-10185	SHIM, oil pump driven gear	1				
23	16321HN9103	GEAR, oil pump drive	1 </tr <tr> <td>24</td> <td>09261H06001</td> <td>PIN, oil pump drive gear</td> <td>1</td> </tr>	24	09261H06001	PIN, oil pump drive gear	1
24	09261H06001	PIN, oil pump drive gear	1				

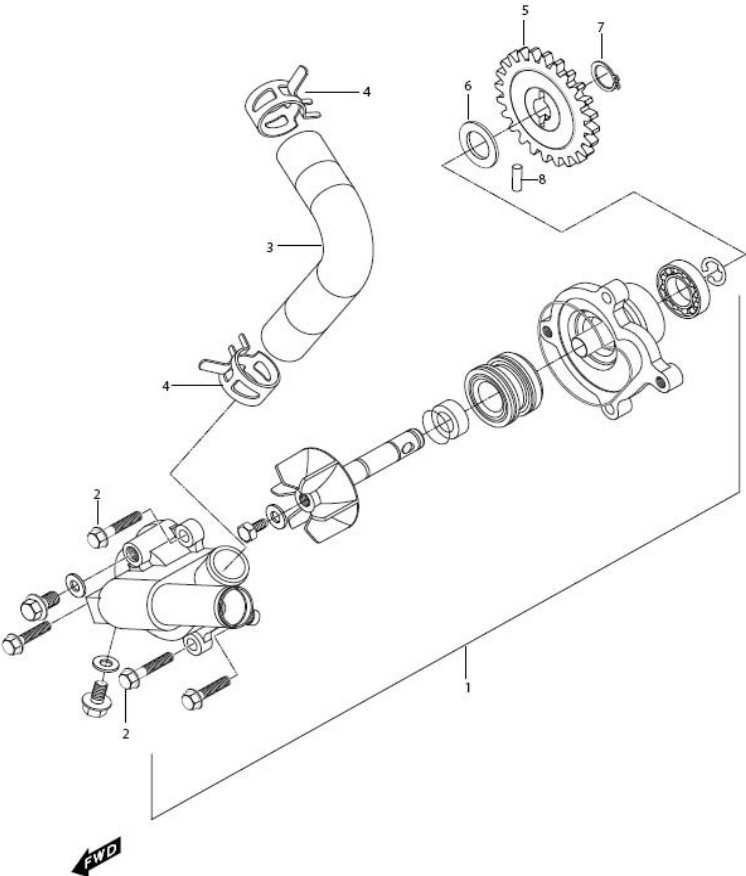




# FIG 15. WATER PUMP

REF. NO.	PART NAME	Q`TY	
1	17400HN9104	PUMP ASS'Y, water	1
1-1	17410HN9100	CASE COMP,WATER PUMP	
1-2	17433HN9100	O-RING,WATER PUMP	
2	01547-06308	BOLT, water pump	2
3	17491HN9100	HOSE, water pump outlet	1
4	09401H26402	CLAMP, water pump hose	2
5	17521HN9105	GEAR, water pump driven	1
6	08221-10185	SHIM, water pump driven gear	1
7	08331-31109	CIRCLIP, water pump driven gear	1
8	09261H04001	PIN, water pump driven gear	1

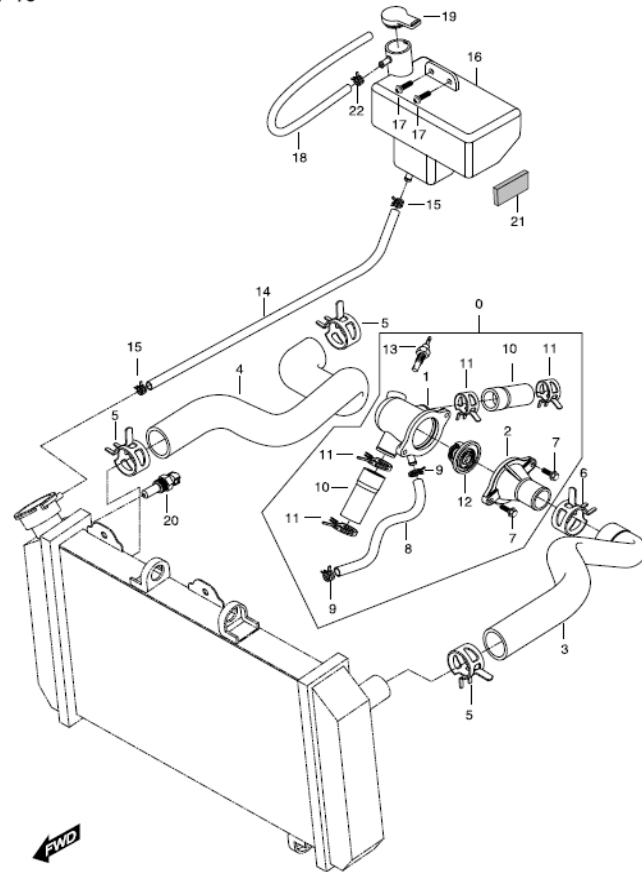
FIG.15



# FIG 16. RADIATOR HOSE

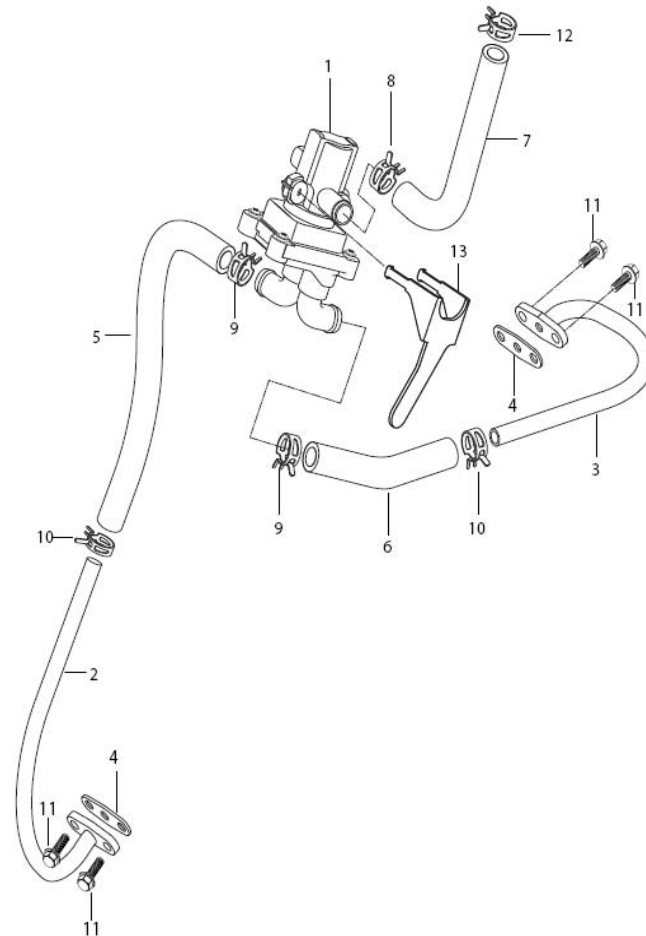
REF. NO.	PART NAME	Q'TY
0	17610HP9300HPA THERMOSTAT COMP	1
1	17621HP93000S1 CONNECTOR COMP, thermostat inlet	1
2	17631HN91000S1 CAP, thermostat connector	1
3	17741HN9101 HOSE, radiator inlet	1
4	17751HN9101 HOSE, radiator outlet	1
5	09401H26402 CLAMP, radiator inlet hose radiator side	3
6	09401H31402 CLAMP, radiator inlet hose thermostat side	1
7	01547-06208 BOLT, thermostat connector	2
8	17641HN9100 HOSE, thermostat bypass	1
9	09401H13401 CLAMP, thermostat bypass hose	2
10	17661HN9100 HOSE, connector inlet	2
11	09401H24402 CLAMP, connector inlet hose	4
12	17610HN9100 THERMOSTAT COMP	1
13	17650HP9300 GAUGE UNIT, water temperature	1
14	17981HN9100 HOSE, reserver tank inlet	1
15	09401H11403 CLAMP, reserver tank	2
16	17911HN9104 TANK COMP, reserver	1
17	09136-06017 SCREW, reserver tank	2
18	17982HN9100 HOSE, reserver tank overflow	1
19	17921HN9100 CAP, reserver tank	1
20	17860HN9100 SWITCH ASS'Y, thermo	1
21	17912HN9100 CUSHION, reserver tank	1
22	09401-09101 CAP, reserver tank overflow	1
23	17622HN9101 UNION,thermost connector	1

FIG 16



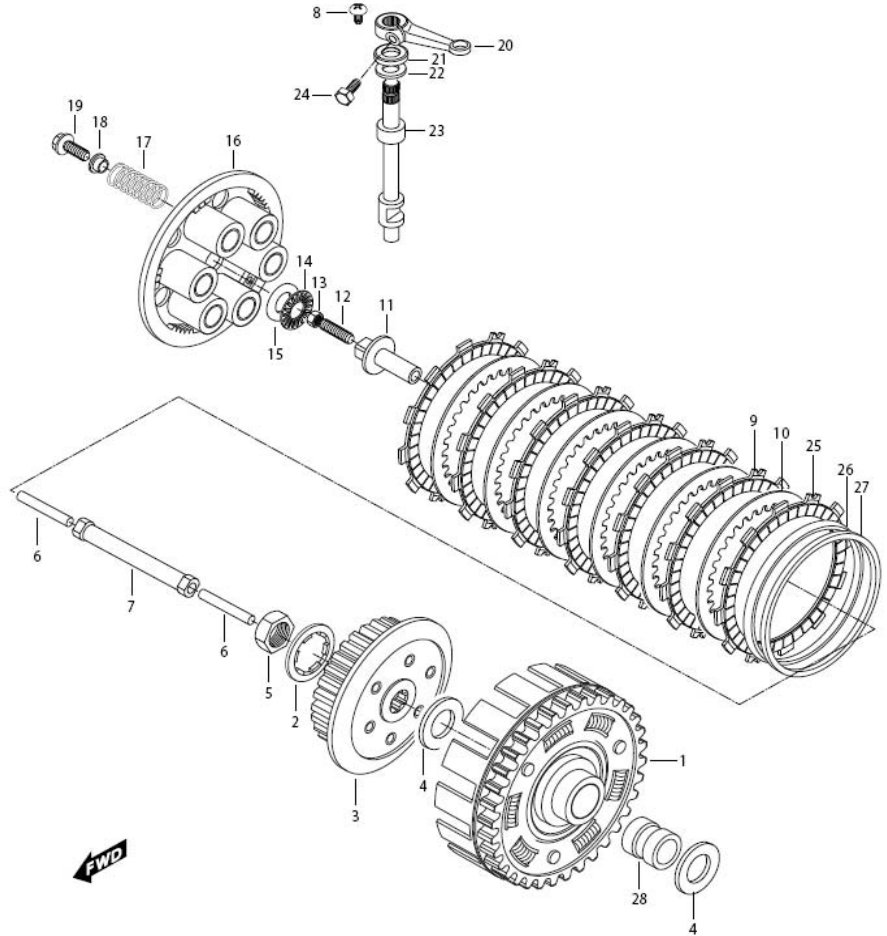
# FIG 17. 2ND AIR

REF. NO.		PART NAME	Q'TY
1	18500H99700	VALVE ASS'Y, 2ND air	1
2	18610HN9101	PIPE COMP, 2ND air front	1
3	18620HN9101	PIPE COMP, 2ND air rear	1
4	18615HN9101	GASKET, 2ND air pipe	2
5	18631HP9300	HOSE, 2ND air pipe front	1
6	18641HP9300	HOSE, 2ND air pipe rear	1
7	18651HP9300	HOSE, 2ND air cleaner	1
8	09401H16401	CLAMP, 2ND air cleaner hose	1
9	09401H16401	CLAMP, 2ND air pipe hose	2
10	09401H15401	CLAMP, 2ND air pipe	2
11	09128-06005	BOLT, 2ND air pipe	4
12	09401H12401	CLAMP, 2ND air cleaner	1
13	18590HP9300	BRACKET, 2ND air valve	1



# FIG 18. CLUTCH ASSY

REF. NO.	PART NAME	Q'TY
1	21210HN9101HPA GEAR COMP, primary driven	1
2	09167H20001 WASHER, clutch sleeve hub thrust	1
3	21411HN9102 HUB, clutch sleeve	1
4	09160H20003 WASHER, primary driven gear thrust	1
5	09140H20001 NUT, clutch sleeve hub	1
6	23114HN9100 ROD, clutch push	1
6-1	23115HN9100 ROD,CLUTCH PUSH NO.2	1
7	23110HN9102 ROD COMP, clutch push M	1
8	09136-06017 STOPPER, clutch release camshaft oil seal	1
9	21441HN9100 PLATE, clutch drive	6
10	21451HN9100 PLATE, clutch driven	6
11	23121-38201 PIECE, clutch push	1
12	09134-06010 SCREW, clutch release adjuster	1
13	08310-22068 NUT, clutch release adjust	1
14	09263H15001 BEARING, clutch release thrust	1
15	09160-15015 WASHER, clutch release thrust	1
16	21462HN9101 DISK, clutch pressure	1
17	09440H20003 SPRING, clutch	6
18	<b>21471HN9102</b> RETAINER, clutch spring	6
19	09100H06009 BOLT, clutch spring	6
20	23271HN9100 ARM, clutch release	1
21	09282H12002 OIL SEAL, clutch release camshaft	1
22	08211-12281 THRUST WASHER, clutch release cam shaft	1
23	23122HN9100 SHAFT, clutch release cam	1
24	01107-06208 BOLT, clutch release arm	1
25	21442HN9100 PLATE, clutch drive No.2	1
26	21443HN9100 WASHER, clutch wave	1
27	21444HN9101 SEAT, clutch wave washer	1
28	21251HN9102 SPACER, primary driven gear	1

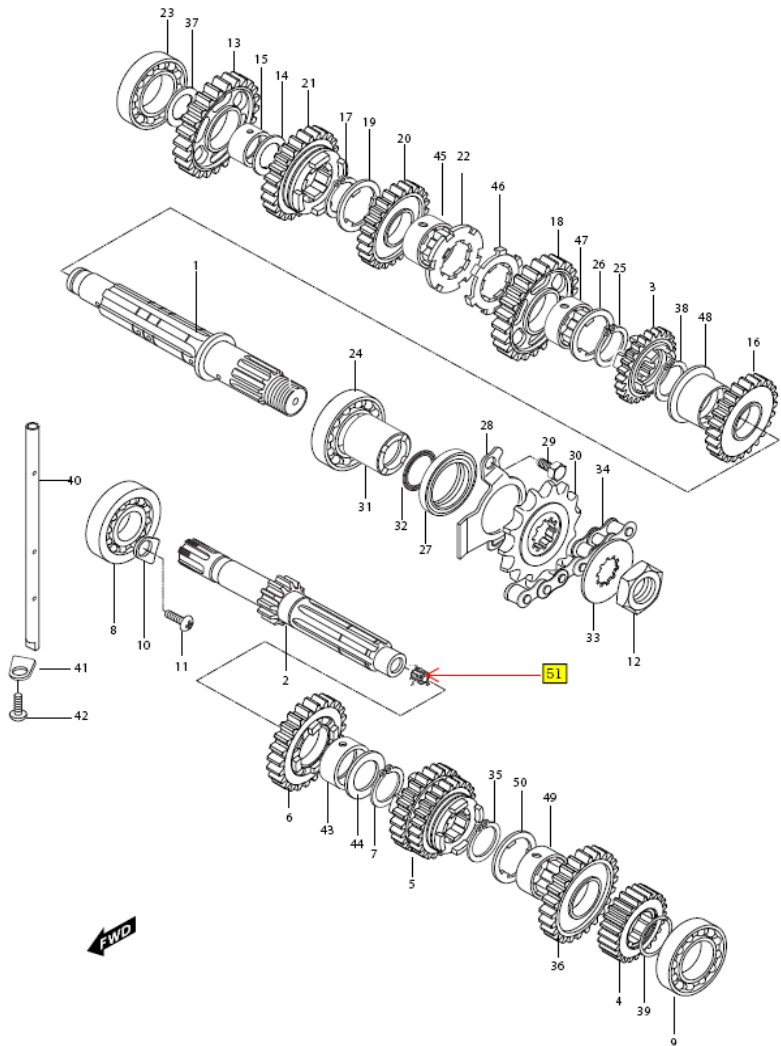


# FIG 19. TRANSMISSION

FIG.19

REF. NO.	PART NAME	Q'TY
----------	-----------	------

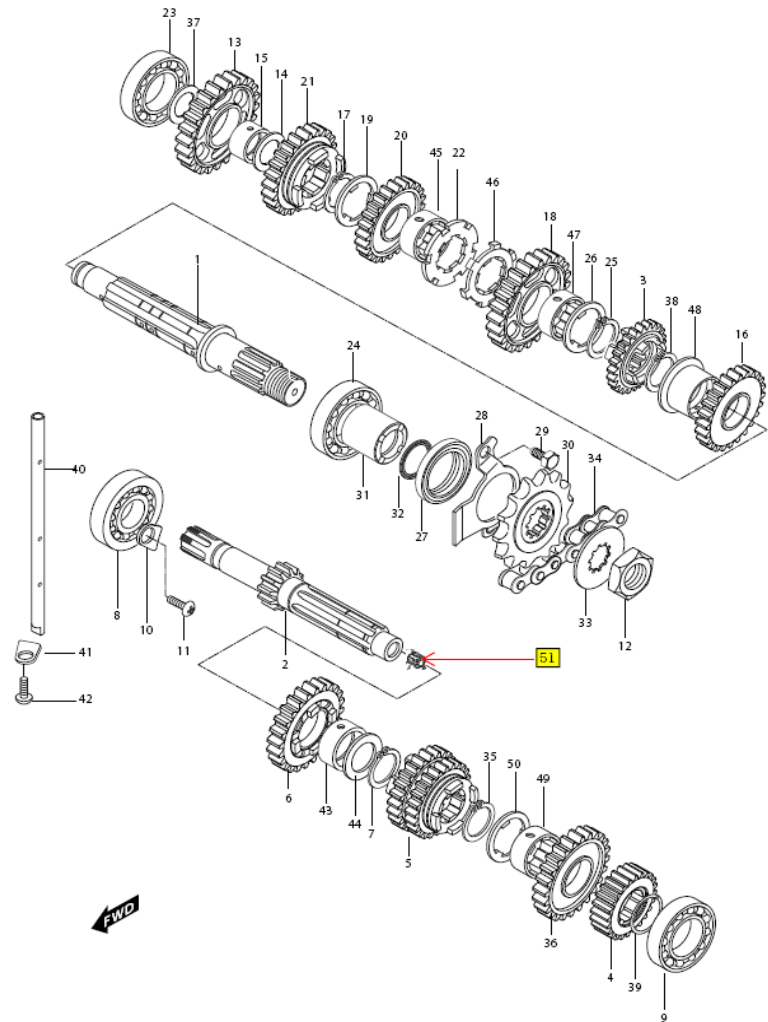
0	24200HN9100HPA	MISSION GEAR SET	1
*	24121HN9104HPA	SHAFT, counter ASS'Y	1
*	24131HN9100HPA	SHAFT, drive ASS'Y	1
1	24130HN9100HPA	SHAFT COMP, drive	1
2	24121HN9104	SHAFT COMP, counter	1
3	24361HN9101	GEAR, 6th driven	1
4	24221HN9102	GEAR, 2nd drive	1
5	24231HN9101	GEAR, 3rd & 4th drive	1
6	24251HN9101	GEAR, 5th drive	1
7	09380H25001	CIRCLIP, 5th drive gear	1
8	08113-63040	BEARING, counter shaft R(#6304)	1
9	08123-63050	BEARING, counter shaft L(#6305)	1
10	24741HN9100	RETAINER, counter shaft bearing	1
11	02112-06128	SCREW, counter shaft bearing retainer	1
12	09159H20001	NUT, engine sprocket	1
13	24311HN9100	GEAR, 1st driven	1
14	09181H20001	SHIM, 1st driven gear	1
15	24312HN9100	BUSH,1st driven gear	1
16	24321HN9101	GEAR, 2nd driven	1
17	09380H25001	CIRCLIP, 4th driven gear	1
18	24331HN9101	GEAR, 3rd driven	1
19	09167H25001	THRUST WASHER, 4th driven gear	1
20	24341HN9100	GEAR, 4th driven	1
21	24351HN9101	GEAR, 5th driven	1
22	09167H25002	WASHER, 3rd & 4th driven gear thrust	1
23	08113-62030	BEARING, drive shaft R	1
24	08123-63050	BEARING, drive shaft L	1
25	09380H25001	CIRCLIP, 3rd driven gear	1
26	09167H25001	THRUST WASHER, 3rd driven gear	1
27	09282H36002	OIL SEAL, drive shaft	1
28	24751HN9100	RETAINER, drive shaft oil seal	1



# FIG 19-1. TRANSMISSION

REF. NO.	PART NAME	Q'TY
29	01107-06106 BOLT, drive shaft oil seal retainer	1
30	27510HN9100 SPROCKET COMP, engine 15T(#525)	1
31	27531HN9100 SPACER, engine sprocket	1
32	09280H24001 O-RING, engine sprocket	1
33	09167H25004 LOCK WASHER, engine sprocket	1
34	27600HN9100 CHAIN ASS'Y, drive 108L(#525)	1
35	09380H25001 CILCLIP, 6th driven gear	1
36	24261HN9101 GEAR, 6th drive	1
37	09181H17001 SHIM, drive shaft	1
38	09380H25001 CILCLIP, 2nd drive gear	1
39	09380H22001 CILCLIP, 2nd drive gear	1
40	24761HN9102 PIPE, transmission oil	1
41	24741HN9100 RETAINER, transmission oil pipe	1
42	02112-06128 SCREW, transmission oil pipe retainer	1
43	24252HN9100 BUSH, 5th drive gear	1
44	09181H25001 SHIM, 5th drive gear	1
45	24332HN9100 BUSH, 4th drive gear	1
46	09167H25003 WASHER, thrust washer lock	1
47	24332HN9100 BUSH, 3rd driven gear	1
48	24322HN9100 BUSH, 2nd driven gear	1
49	24262HN9100 BUSH, 6th drive gear	1
50	09167H25001 WASHER, 6th drive gear	1
51	24125-38201 BUSH	2

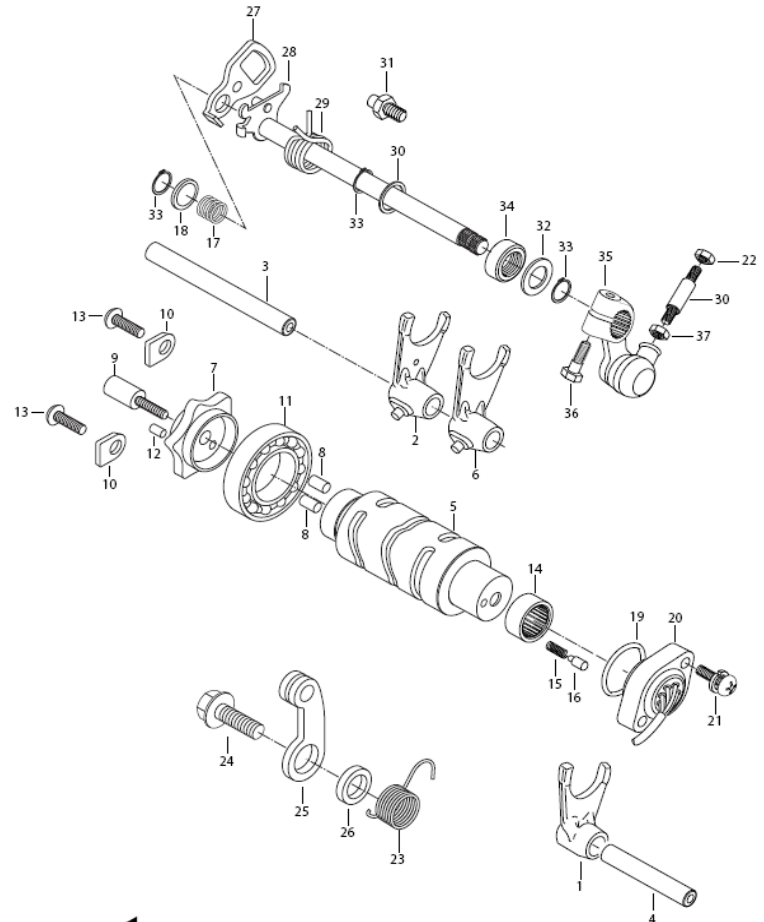
FIG.19



# FIG 20. GEAR SHIFTING

# FIG 20

REF. NO.	PART NAME	Q'TY	
1	25231HN9100	FORK, gear shift No.3	1
2	25211HN9100	FORK, gear shift No.1	1
3	25411HN9100	SHAFT, gear shift fork No.1	1
4	25421HN9100	SHAFT, gear shift fork No.2	1
5	25310HN9102	CAM COMP, gear shift	1
6	25221HN9100	FORK, gear shift No.2	1
7	25380HN9104	PLATE COMP, gear shift cam	1
8	04221-04089	PIN, gear shift cam plate	2
9	25321HN9100	BOLT, gear shift cam plate	1
10	24741HN9100	RETAINER, gear shift cam bearing R	2
11	09262H25002	BEARING, gear shift cam R	2
12	09261-04002	PIN, gear shift cam plate	6
13	02122-06128	SCREW, gear shift cam bearing retainer	2
14	09263H25001	BEARING, gear shift cam L	1
15	09440-04010	SPRING, gear shift switch contact	1
16	09209-05011	CONTACT, gear shift switch	1
17	09440H17001	SPRING, gear shift cam drive plate	1
18	09181H14001	SHIM, gear shift shaft thrust	2
19	09280-26003	O-RING, gear shift switch	1
20	<b>37720HR8600</b>	SWITCH ASS'Y, gear shift	1
21	02112-95208	SCREW, gear shift switch	2
22	09140-06011	NUT, gear shift link rod L (M6)	2
23	09448H17002	SPRING, gear shift cam stopper	1
24	09111-06019	BOLT, gear shift cam stopper	1
25	25350HN9100	STOPPER COMP, gear shift cam	1
26	08211-06121	WASHER, gear shift shaft thrust	1
27	25521HN9100	PLATE, gear shift cam drive	1
28	25510HN9101	SHAFT COMP, gear shift	1
29	<b>09444H20011</b>	SPRING, gear shift shaft return	1
30	25525HP9200	ROD, gear shift link(L=240)	1
*	25525HP9250	ROD, gear shift link(L=258)	1
31	25671-01000	STOPPER, gear shift arm	1
32	09160H14003	WASHER, gear shift shaft thrust	1
33	08331-31149	CIRCLIP, gear shift shaft	3
34	09283H14002	SEAL, gear shift shaft oil	1
35	25520-32C00	ARM COMP, gear shift link	1
36	01107-06208	BOLT, gear shift link arm (M6X10)	1
37	08310-11068	NUT, gear shift link rod R (M6)	1

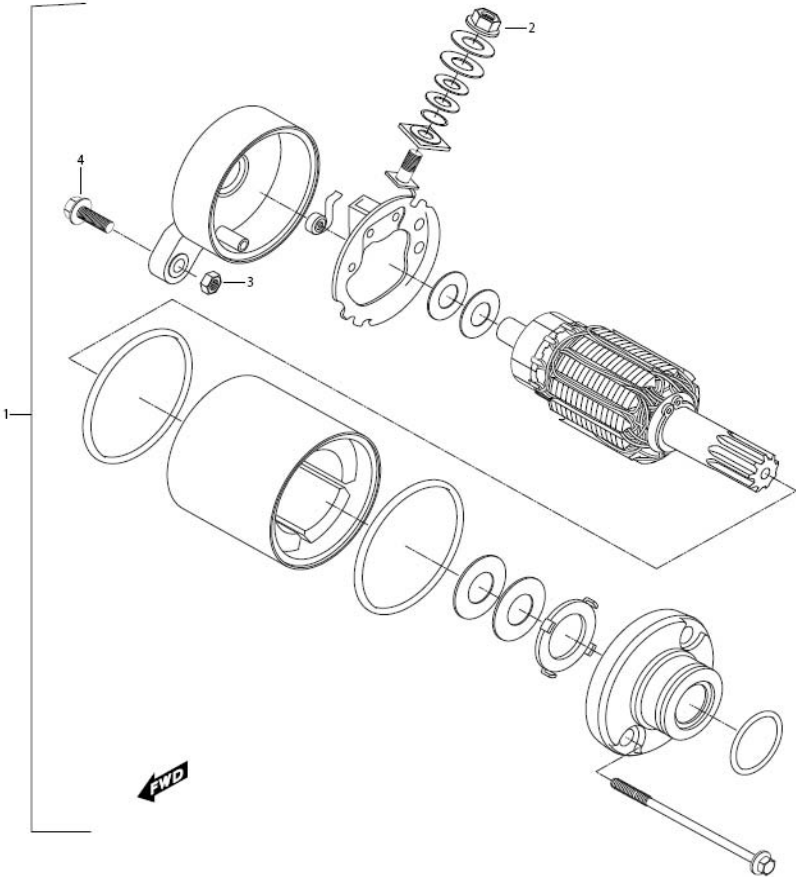


# FIG 21. STARTING MOTOR

FIG 21

REF. NO.		PART NAME	Q'TY
----------	--	-----------	------

1	31100HN9100	MOTOR ASS'Y, starting	1
2	08316-16068	NUT, starter motor terminal	1
3	08319-21068	NUT, start motor bracket	2
4	01547-06308	BOLT, start motor bracket	2



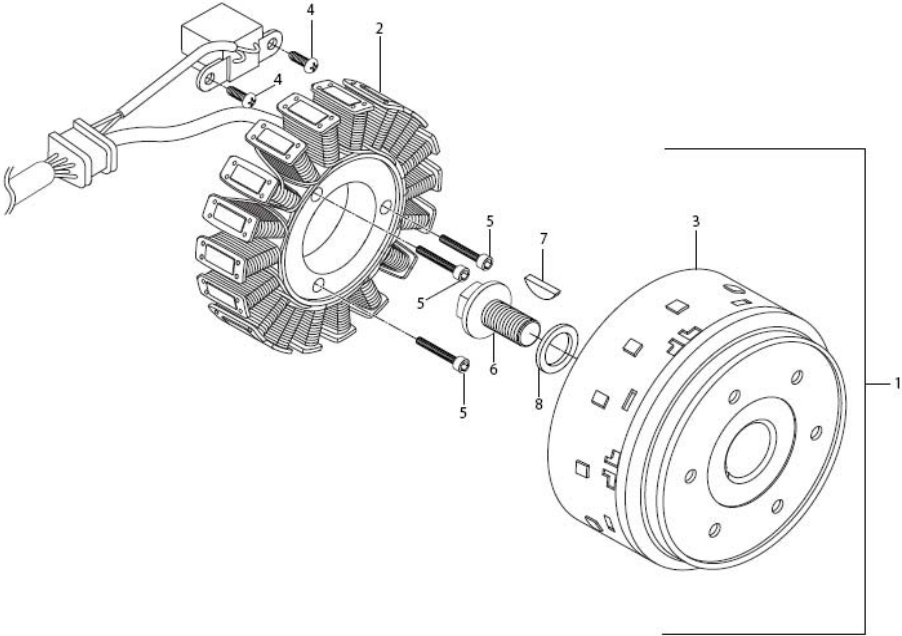


# FIG 22. MAGNETO ASSY

REF. NO.	PART NAME	Q'TY
----------	-----------	------

1	32100HP9330	MAGNETO ASS'Y	1
2	32101HP9300	STATOR ASS'Y	1
3	32102HP9330	ROTOR, fly wheel	1
4	02142-05128	SCREW, pick-up coil(M5X12)	2
5	07110-06308	SCREW, magneto stator(M5X30)	3
6	09103H12001	BOLT, magneto	1
7	09420H04001	KEY, magneto	1
8	09160H12003	WASHER, magneto	1

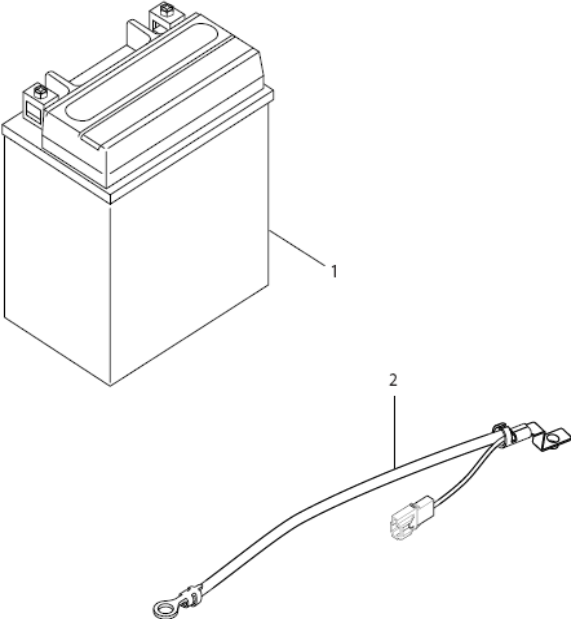
FIG 22



# FIG 23. BATTERY

FIG 23

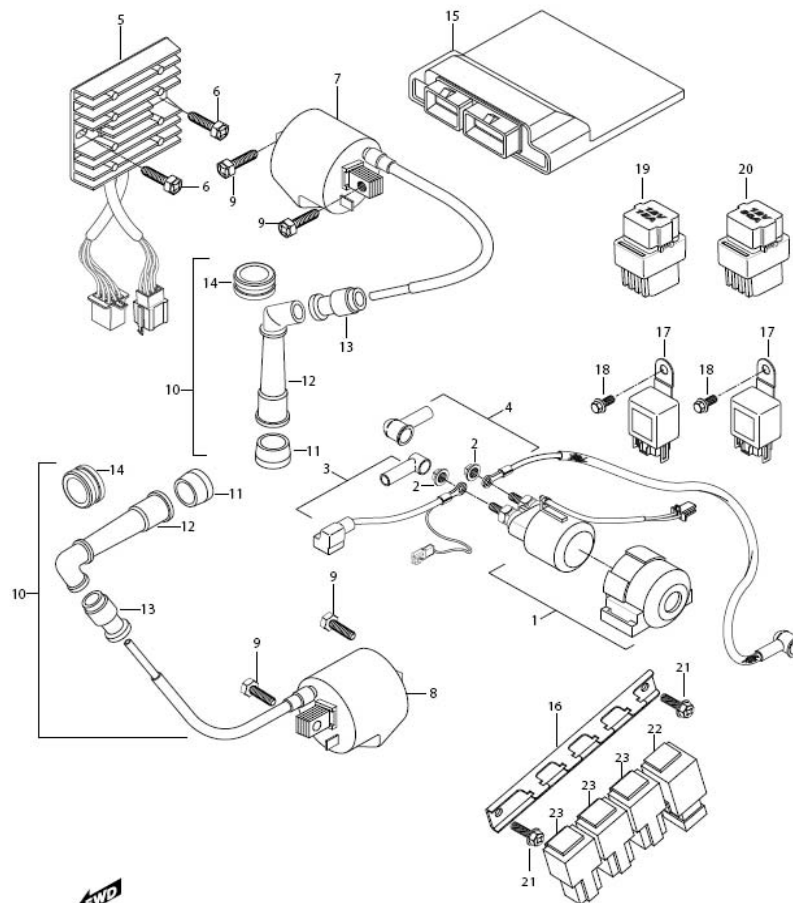
REF. NO.		PART NAME	Q`TY
1	33610HM8100	BATTERY ASS`Y(12V 12Ah. STX14-BS)	1
2	33860HN9100	LEAD WIRE, battery minus(-)	1



# FIG 24. ELECTRICAL

FIG 24

REF. NO.	PART NAME	Q'TY
1	31800HG5100 RELAY ASS'Y, starting motor	1
2	08316-26066 NUT, starter motor relay terminal	2
3	33840HM8101 LEAD WIRE, battery plus	1
4	33850H99700 LEAD WIRE, starter motor	1
5	32800HN9110 RECTIFIER regulator ass'y	1
6	01517-06166 BOLT, rectifier	2
7	33410HP9310 COIL ASS'Y, ignition front	1
8	33430HP9310 COIL ASS'Y, ignition rear	1
9	09128-06035 BOLT, ignition coil	4
10	33500HN9100 CAP ASS'Y spark plug	2
11	33541-23E01 SEAL, spark plug	2
12	33510-05C01 CAP, spark plug	2
13	33542-98000 SEAL, high tention cord	2
14	33545HN9100 BUSH, spark plug cap	2
15	32900H89300 IGNITOR.	1
16	38742HP7600 BRACKET, relay	1
17	38740HM5401 RELAY ASS'Y.	2
18	01517-06166 BOLT, relay	2
19	36740-35C00 BOX ASS'Y, fuse (15A)	1
20	36740HN9100 BOX ASS'Y, fuse (30A)	1
21	01517-06166 BOLT, relay bracket	2
22	38610HR9700 RELAY ASS'Y, turnsignal	1
23	38740HP7600 RELAY ASS'Y, 12V 30A	3

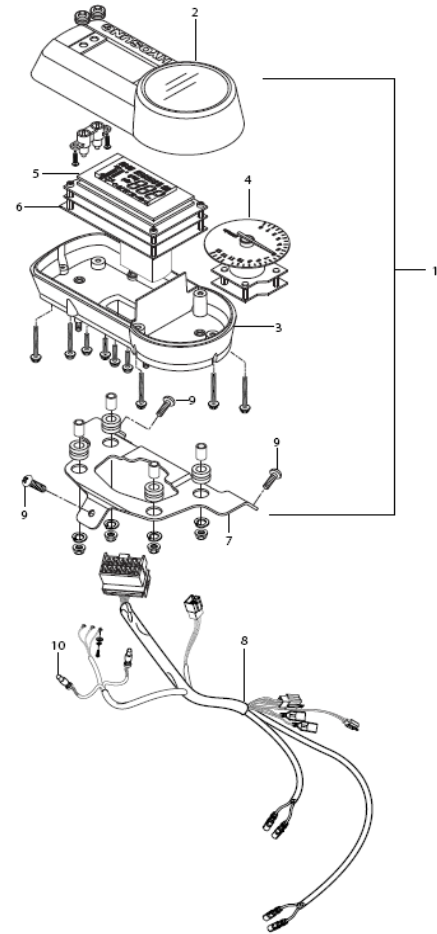


# FIG 25. SPEEDOMETER ASSY

FIG 25

REF. NO.	PART NAME	Q'TY
----------	-----------	------

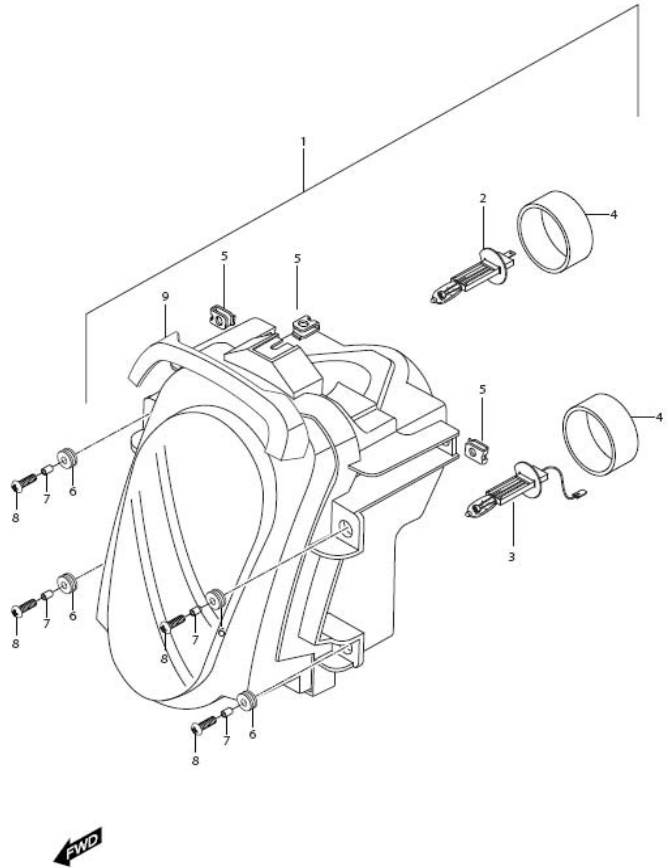
1	34100HR9730	SPEEDOMETER ASS'Y	1
2	34150HP9200	WINDOWS, case	1
3	34160HP9200	CASE SUB, housing	1
4	34121HR9700	TACHOMETER ASS'Y, movement	1
5	34111HR9700	PCB +DISPLAY ASS'Y, speedometer	1
6	34600HR9700	PCB ASS'Y, speedometer	1
7	34950HP9200	BRACKET, speedometer	1
8	34170HR9700	WIRING ASS'Y, speedometer	1
9	01517-06208	BOLT, speedometer bracket	3
10	09471-12072	BULB(12V 1.7W T6.5)	2



# FIG 26. HEAD LAMP

FIG.26(GT650R)

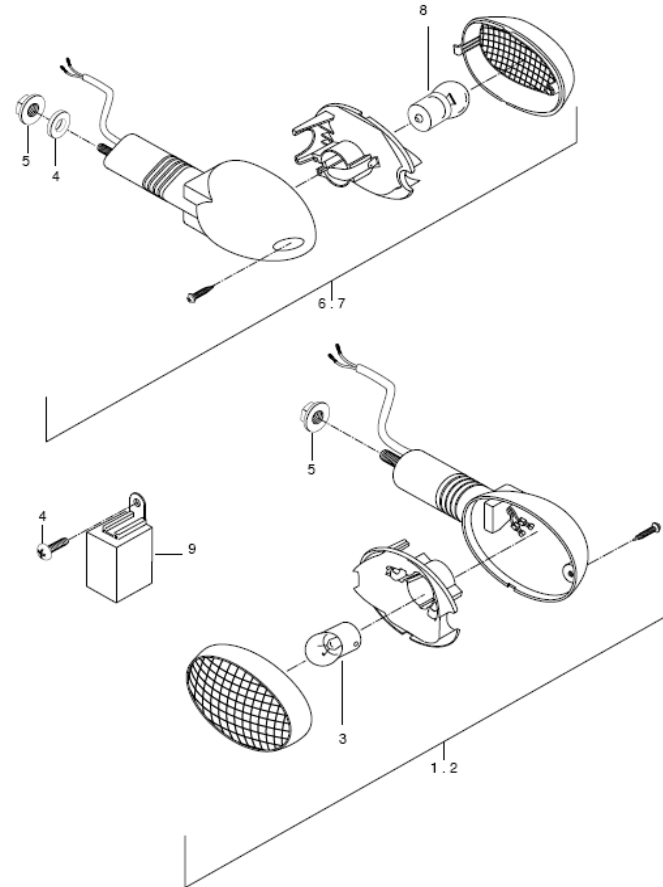
REF. NO.		PART NAME	Q`TY
1	35100HP9250	HEAD LAMP ASS'Y	1
2	09471H12250	BULB, head lamp hi(12v H1:55w))	1
3	09471H12230	BULB, head lamp hi(12v H3:55w))	1
4	35173HP9200	DUST COVER	2
5	09148-05039	NUT, head lamp speedometer	3
6	09320-09016	CUSHION, head lamp & brace comp	4
7	09180-06011	SPACER, head lamp & brace comp	4
8	09136-06113	BOLT, head lamp & brace comp	4
9	35192HP9200	CUSHION, Head Lamp	1
10	35193HP9200	TAPE, Cushion Head Lamp R	1
11	35194HP9200	TAPE, Cushion Head Lamp L	1



# FIG 27. FRONT TURN SIGNAL LAMP

FIG.27

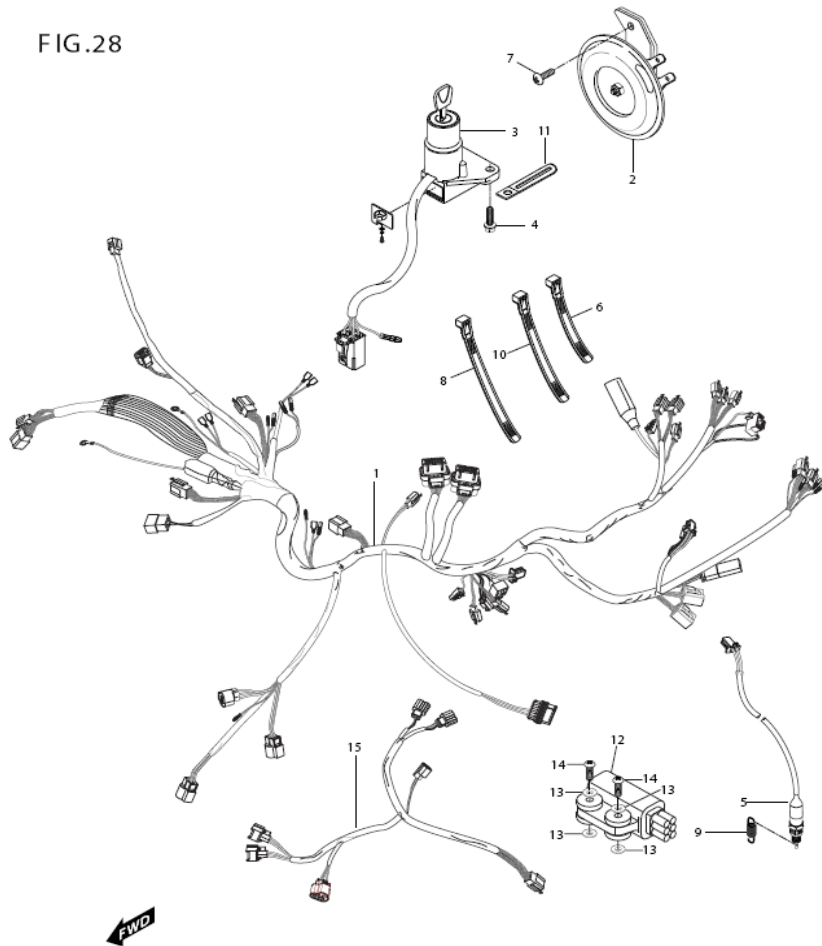
REF. NO.		PART NAME	Q'TY
1	35601HR7900	LAMP ASS'Y, FT turnsignal R	1
2	35602HR7900	LAMP ASS'Y, FT turnsignal L	1
3	09471H12112	BULB, FT turnsignal lamp(12V,10W)	2
4	09160-06019	BOLT, turnsignal relat	1
5	08316-26066	NUT, FT turnsignal lamp	4
6	35603H99700	LAMP ASS'Y, RR turnsignal R	1
7	35604H99700	LAMP ASS'Y, RR turnsignal L	1
8	09471H12113	BULB, RR turnsignal lamp(12V, 10W)	2
9	38610HR9700	RELAY ASS'Y, turn signal	1
10	35612HR9700	Lense Ft/Right Rr/Left	1
11	35632HR9700	Lense Ft/Left Rr/Right	1



# FIG 28. WIRING HARNESS

REF. NO.	PART NAME	Q'TY
1	36610H99700 HARNESS, wiring(GT650R)	1
2	38500HM8101 HORN ASS'Y	1
3	37100HP9200 LOCK ASSY, steering	1
4	01517-06308 BOLT, steering lock	2
5	37740HN9100 SWITCH ASS'Y, rear stop	1
6	09407-14403 CLAMP, wiring harness	7
7	09106H06150 SCREW, horn	1
8	09407-22402 CLAMP, wiring harness	1
9	09443-06012 SPRING	1
10	09407-254A1 CLAMP, wiring harness	1
11	09404-06404 CLAMP, steering leadwire	1
12	37890HP8810 SENSOR, tip over	1
13	09160H04005 WASHER, tip over sensor	4
14	09125H04025 SCREW, tip over sensor	2
15	17660H99710 LEADWIRE, sensor part	1

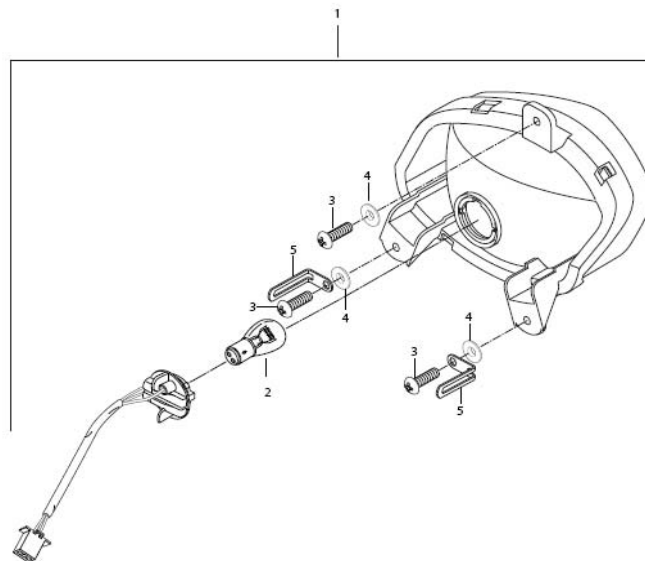
FIG.28



## FIG 29. REAR COMBINATION

REF. NO.		PART NAME	Q`TY
1	35710H99700	LAMP ASS`Y, tail & stop	1
2	09471-12046	BULB, tail & stop(12V P21/5W)	1
3	03241-05166	SCREW, tail & stop	3
4	09160-05017	WASHER, tail & stop	3
5	09404-06401	CLAMP, tail & stop	2

FIG 29

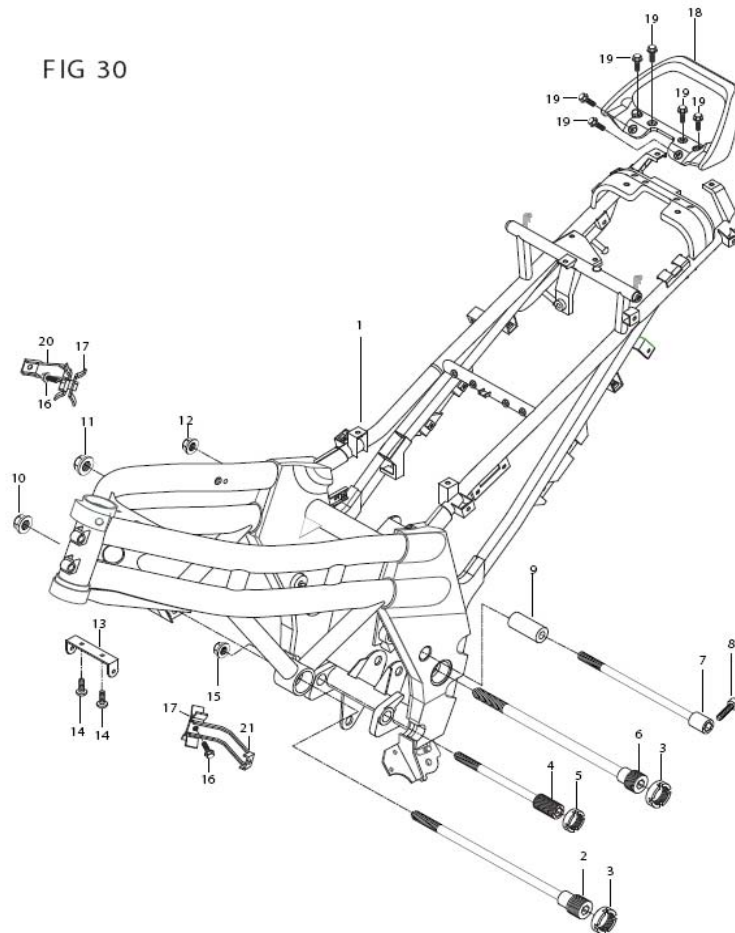




# FIG 30. FRAME

REF. NO.	PART NAME	Q'TY
1	41100H99700PAM FRAME COMP(GT650R)	1
2	41165HN9101 SHAFT, engine mounting link	1
3	09141H26001 LOCK NUT, engine mounting link & shaft	1
4	41191HN9101 SHAFT, engine mounting RR lower	2
5	09141H20001 LOCK NUT, engine mounting RR lower	1
6	61211HN9101 SHAFT, RR swingingarm pivot	1
7	41181HN9101 SHAFT, engine mounting RR upper	1
8	07110-08258 BOLT, frame & engine mounting adjuster	1
9	41185HN9100 SPACER, frame & engine mounting adjuster	1
10	08319-31128 NUT, engine mounting link shaft	1
11	08319-31108 NUT, frame & engine RR upper	1
12	09148H14008 NUT, RR swingingarm pivot	1
13	41772HN9101 BRKT, radiator upper	1
14	02142-06126 SCREW, radiator upper brkt	1
15	08319-31108 NUT, frame & engine RR lower	2
16	01137-06206 BOLT, frame & body side cowling R/L	1
17	94417HP9200 PLATE COMP, frame & body side cowling R/L	1
18	47511H99700 RIDER, pillion R	1
18.1	47521H99700 RIDER, pillion L	1
19	09106H08230 BOLT, pillion rider	2
20	94478HP9203 BRACKET COMP, frame & body side cowling R	1
21	94479HP9203 BRACKET COMP, frame & body side cowling L	1

FIG 30

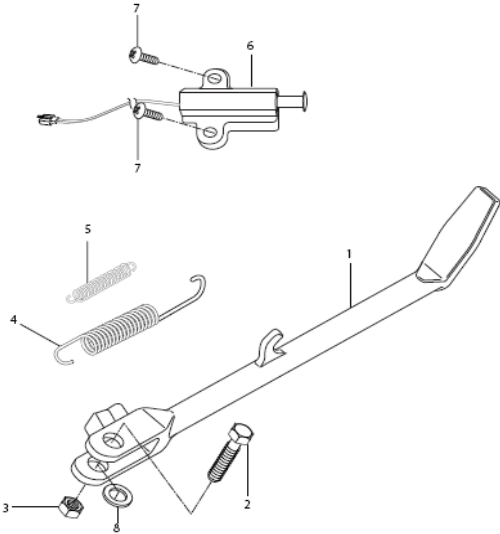


# FIG 31. PROP STAND

FIG 31

REF. NO.		PART NAME	Q`TY
----------	--	-----------	------

1	42310HN9150120	STAND COMP, prop	1
2	09100-10031	BOLT, prop stand	1
3	08310-22106	NUT, prop stand	1
4	09443-15047	SPRING, prop stand outter	1
5	09443-06001	SPRING, prop stand inner	1
6	37840HN9102	SWITCH ASS'Y, side stand	1
7	01517-06205	BOLT, side stand switch(M6X20)	2
8	08221-12225	SHIM, prop stand	1

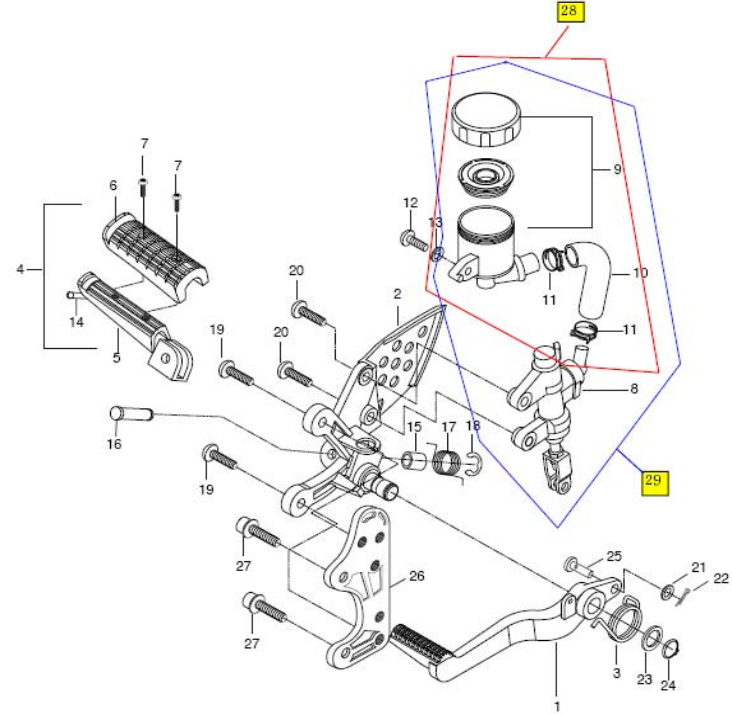


# FIG 32. REAR BRAKE

FIG 32

REF. NO.	PART NAME	Q'TY
----------	-----------	------

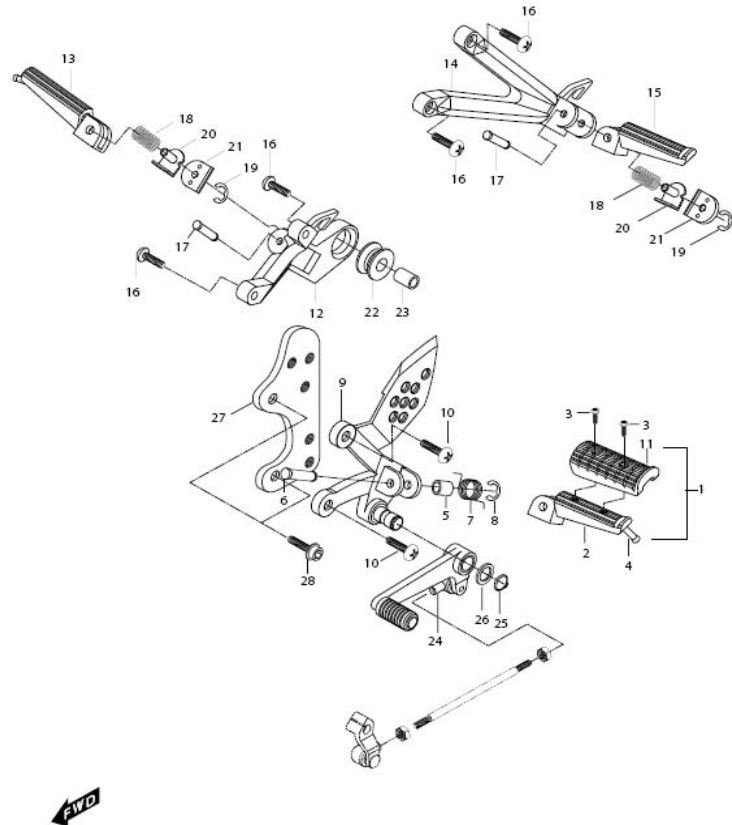
1	43110HM810003P	PEDAL COMP, brake	1
2	43530H9970003P	BRACKET COMP, front footrest R	1
3	09448H30002	SPRING, brake pedal return	1
4	43560HM8100	FOOTREST ASS'Y, front R	1
5	43561HM8100	FOOTREST, bar front R	1
6	43530H30A40	RUBBER COMP, front footrest R	1
7	02112-05126	SCREW, front footrest	2
8	69600HM8101	CYLINDER ASS'Y rear master	1
9	69740HN9100	TANK ASS'Y reser vior	1
10	69700HM8101	HOSE ASS'Y reser vior	1
11	09400H13001	CLMAP, reserver tank hose	2
12	01517-06168	BOLT, reser vior tank	1
13	09160-06019	WASHER, reser vior tank	1
14	43533H30A40	BOLT, front footrest bar	1
15	09180H08008	SPACER, front footrest	1
16	43579HM8101	PIN, front footrest	1
17	09448H14007	SPRING, front footrest	1
18	08332-11079	E-RING, front footrest	1
19	09106H08230	BOLT, front footrest bracket	2
20	09106H08230	BOLT, master cylinder	2
21	08322-21068	WASHER, rear master cylinder	1
22	04111-20208	COTTER PIN, rear master cylinder	1
23	09160H15002	WASHER, brake pedal	1
24	08331-31159	CIRCLIP, brake pedal	1
25	09200H06040	PIN, rear master cylinder	1
26	43550HP9200	BRKT, front footrest back step R	2
27	07120-08258	BOLT, front footrest back step	2
28	69800HN9100	TANK SET reserver	1
29	69609HN9100	CYLINDER SET, rear master	1



# FIG 33. FOOTREST

FIG 33

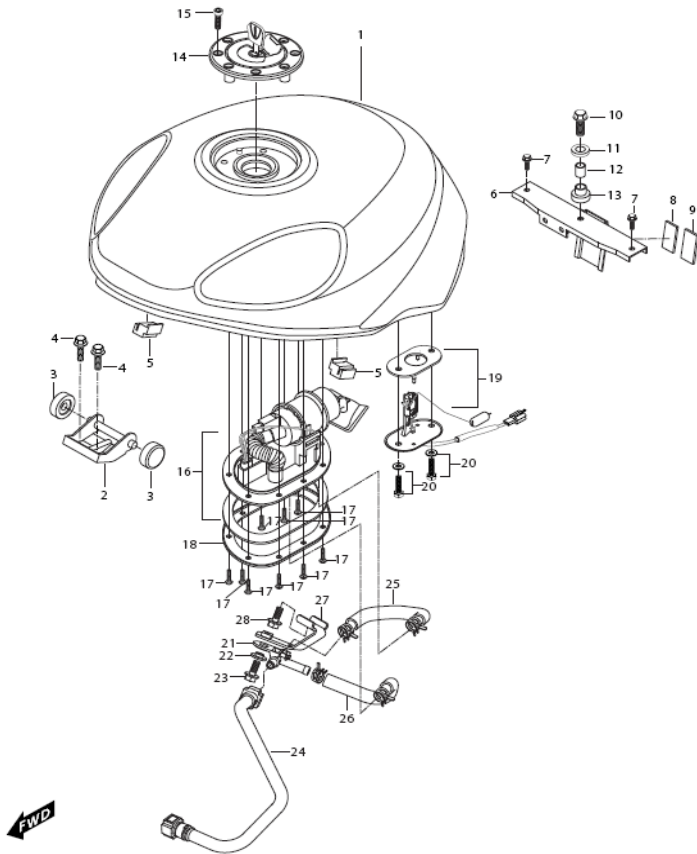
REF. NO.	PART NAME	Q'TY
1	FOOTREST ASSY, front L	1
2	FOOTREST BAR, front L	1
3	SCREW, front footrest	2
4	BOLT, front footrest bar	1
5	SPACER, front footrest	1
6	43579HM8101 PIN, front footrest bar	1
7	09448H14007 SPRING, front footrest	1
8	08332-11079 E-RING, front footrest	1
9	43540H9970003P BRACKET COMP, front footrest L	1
10	09106H08230 BOLT, front footrest bracket	2
11	43532H30A40 RUBBER, front footrest	1
12	43621H9970003P BRACKET, pillion footrest R	1
13	43661HM8101 FOOTREST BAR, pillion R	1
14	43721H9970003P BRACKET, pillion footrest L	1
15	43671HM8101 FOOTREST BAR, pillion L	1
16	09106H08230 BOLT, pillion footrest bracket	4
17	43679HM8101 PIN, pillion footrest	2
18	09448H08008 SPRING, pillion footrest	2
19	08332-11048 E-RING, pillion footrest	2
20	43631HM8101 PLATE, pillion stopper No.1	2
21	43641HM8101 PLATE, pillion stopper No.2	2
22	09320-14015 CUSHION, muffler support	1
23	09180-10044 SPACER, muffler support	1
24	25611HM8100 LEVER COMP, gear shift cam	1
25	08331-31159 CIRCLIP, gear shift lever	1
26	09160H15002 WASHER, gear shift leve	1
27	43560HP9200 BRKT, front footrest back step L	2
28	07120-08258 BOLT, front footrest back step	1



# FIG 34. FUEL TANK

# FIG 34

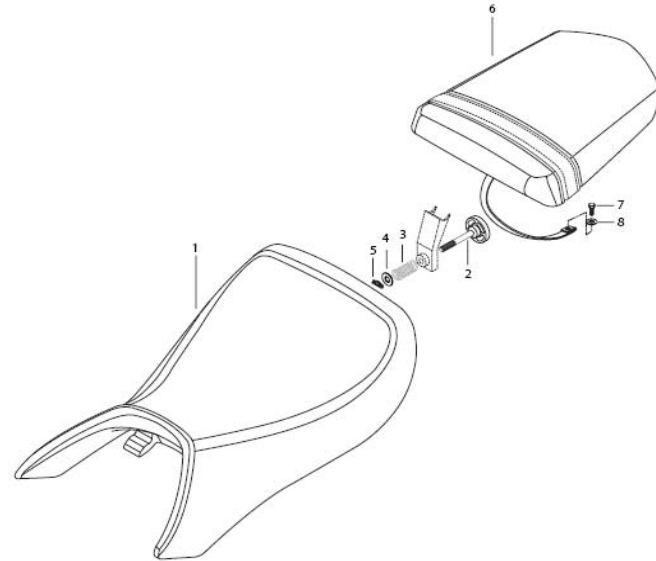
REF. NO.	PART NAME	Q'TY	
1	44110HP9300 44110HPW600	TANK COMP, fuel (CBK, CDR) TANK COMP, fuel (CDR,CDS,CWP)	1
2	44520HM8100	BRKT COMP, fuel tank front	1
3	09329-10007	CUSHION, fuel tank front	2
4	01517-06166	BOLT, fuel tank front brkt	2
5	09329H28001	CUSHION, fuel tank side	2
6	44530H99700	BRKT COMP, fuel tank RR	1
7	01517-06166	BOLT, fuel tank RR brkt	2
8	44613HE7100	CUSHION, fuel tank RR brkt & battery	1
9	44218HF4500	CUSHION, fuel tank RR brkt & battery	1
10	09116H08078	BOLT, fuel tank RR	1
11	09320H14013	CUSHION, fuel tank RR up	1
12	09180H08007	SPACER, fuel tank RR cushion	1
13	09320H10020	CUSHION, fuel tank RR lower	1
14	44200H35C30	CAP ASSY, fuel tank filler	1
15	09106-05017	BOLT, fuel tank filler	4
16	15100HR9710	PUMP ASS'Y, fuel module	1
17	09125H04016	SCREW, fuel pump module	10
18	15115HP9300	PLATE, fuel pump module	1
19	34810HP9300	GAUGE ASS'Y, fuel sender	1
20	09128-06035	BOLT, fuel sender	2
21	15911HP9300	JOINT, fuel hose	1
22	09169H06078	WASHER, fuel hose joint	1
23	01517-06125	BOLT, joont	1
24	15810H99700	HOSE COMP, fuel injector	1
25	15813HP9300	HOSE, regulator & joint	1
26	15812HP9300	HOSE, fuel pump & joint	1
27	44410HP9300	BRKT COMP, joint lower	1
28	01517-06125	BOLT, joint lower brkt	1
29	68319H05350PL	LABEL, caution NO.1 (7EU01)	1
	68319H05370PL	LABEL, caution NO.1 (7G01)	1
	68319H05380PL	LABEL, caution NO.1 (7S01)	1
	68319H05390PL	LABEL, caution NO.1 (7F01)	1



# FIG 35. SEAT

FIG 35

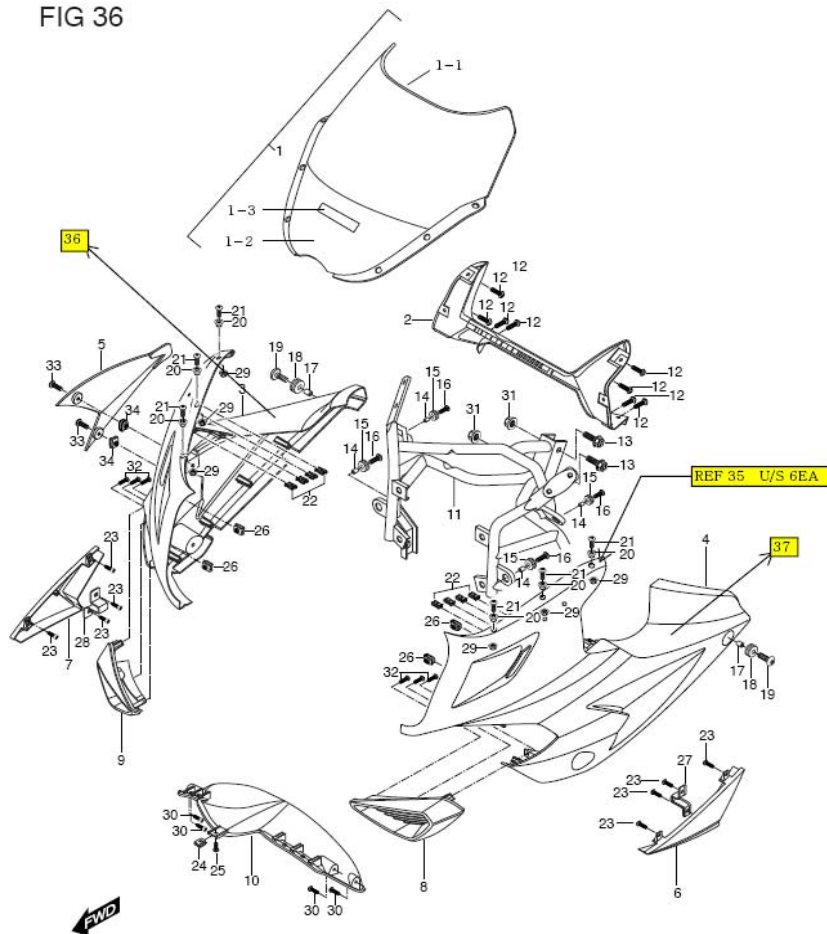
REF. NO.		PART NAME	QTY
1	45110H99700	SEAT SET, front	1
2	45120HM8101	KNOB COMP, seat front	1
3	09440-11016	SPRING, seat front knob	1
4	08322-11088	WASHER, seat front knob	1
5	04111-20208	PIN, seat front knob	1
6	45200H99700	SEAT SET, rear	1
7	01517-06206	BOLT, rear seat	1
8	09160-06057	WASHER, rear seat	1



# FIG 36. COW'G BODY

REF. NO.	PART NAME	Q'TY
1	94611SP9252HPA WINDSCREEN ASS'Y(COLOR :LIQUID)	1
	94601HP9250HPA WIND SCREEN ASS'Y(COLOR : TONED)	
1-1	94611HP9252 WINDSCREEN	1
1-2	68500HP9200 TAPE,WINDSCREEN	1
1-3	68120HL730003P EMBLEM,LEG SHIELD FRONT	1
2	94641HP9200 PANEL, meter	1
3	94411HP92020 COW'G, body side R(color:BK,DR,DS,WP)	1
4	94421HP92020 COW'G, body side L(color:BK,DR,DS,WP)	1
5	94431HP92000 COW'G, body side R in(color:BK,DR,DS,WP)	1
6	94491HP92000 COW'G, body side lower L(colorDR,DS) S	1
7	94481HP92000 COW'G, body side lower R(colorDR,DS) S	1
8	94671HP9200121 COW'G, air duct L	1
9	94661HP9200121 COW'G, air duct R	1
10	94441HP92000 COW'G, body center lower(color:BK,DR,DS,WP)	1
11	94510HP9202 BRACE, cowling	
12	03241-05125 BOLT, meter panel & body side cow R/L	8
13	09103H08254 BOLT, brace comp & frame head pipe	2
14	09180H06208 SPACER, body side cow R/L & brace comp	4
15	09320-09034 CUSHION, body side cow R/L & brace comp	4
16	09136-06113 BOLT, body side COW'G R/L & brace comp	4
17	09180H06208 SPACER, body side COW'G R/L & frame	2
18	09320-09034 CUSHION, body side COW'G R/L & frame	2
19	09136-06113 BOLT, body side COW'G R/L & frame	2
20	09320-07012 CUSHION, windscreen & body side COW'G up	6

FIG 36

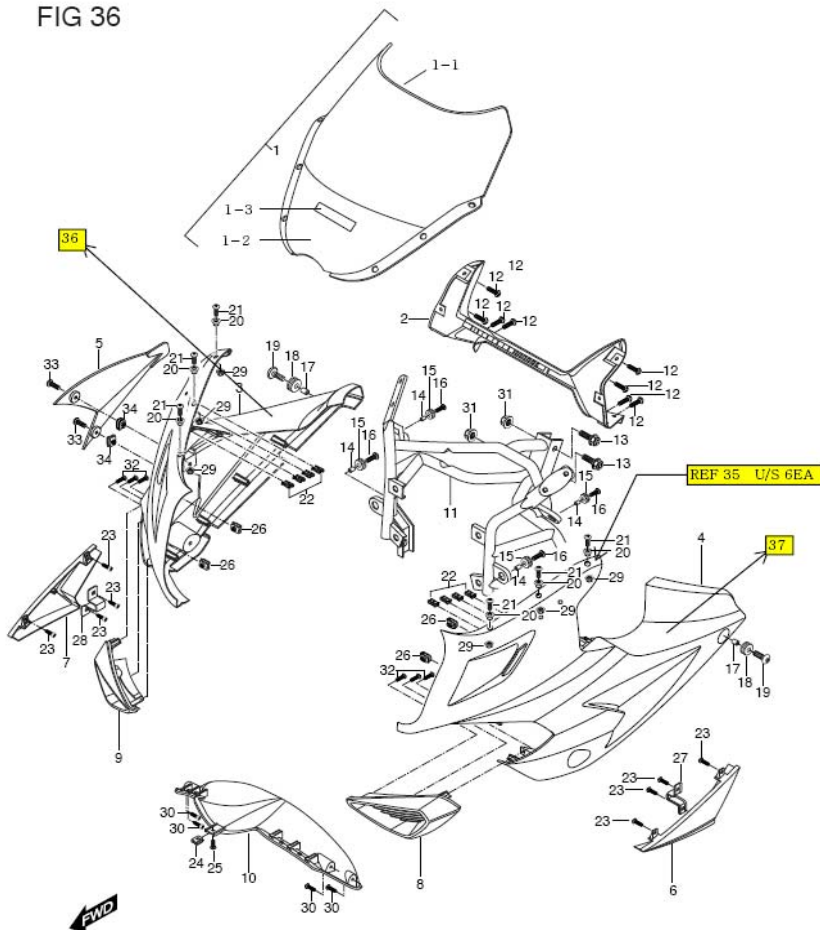


# FIG 36-1. COW'G BODY

REF. NO.	PART NAME	QTY
----------	-----------	-----

21	09106H05150	BOLT, windscreen & body side COW'G up	6
22	09148-05004	NUT, body side COW'G R/L & meter panel	8
23	03241-05106	SCREW, side COW'G & lower COW'G	8
24	09148-05004	NUT, lower COW'G ctr & body side COW'G R/L	1
25	03241-05125	SCREW, lower COW'G ctr & body side COW'G R/L	1
26	09148-06020	NUT, body side COW'G R/L & brace comp	4
27	94425HP9200	PLATE, body side COW'G & lower COW'G No.2 L	1
28	94425HP9200	PLATE, body side COW'G & lower COW'G No.2 R	1
29	08316-26055	NUT, windscreen & body side COW'G up	6
30	03211-05166	SCREW, lower COW'G & body side COW'G R/L	4
31	08313-11088	NUT, brace comp & frame head pipe	2
32	03241-04128	SCREW, body side cwling & air doct COW'G	6
33	09106H06150	BOLT	2
34	09148-06020	NUT	2
35	09169-05018	WASHER, Windscreen	6
36	94454HP9400	CUSHION, Upper Cowling R	1
37	94455HP9400	CUSHION, Upper Cowling L	1

FIG 36



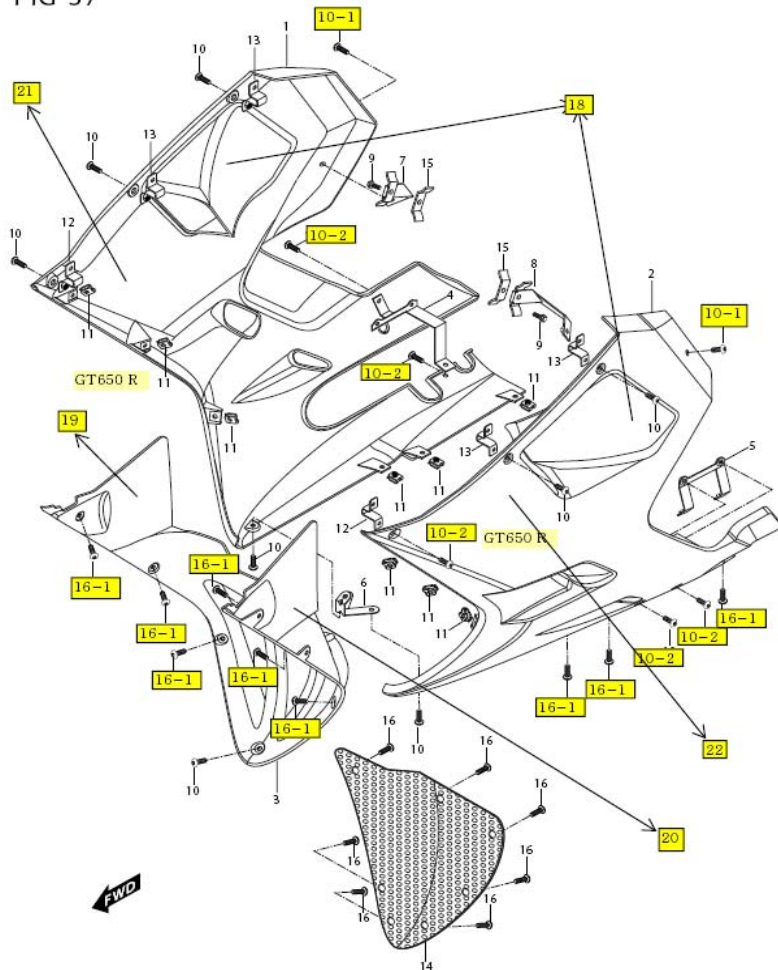


# FIG 37. COW'G BODY

REF. NO.	PART NAME	Q'TY
----------	-----------	------

1	94432HPW600CBK COW'G, under RH (NR)	1
1	94432HPW610CBK COW'G, under RH (NS)	1
1	94432HPW611CBK COW'G, under RH( NW)	1
1	94432HP94500BK COW'G, under RH (BK,DR)	1
2	94433HPW600CBK COW'G, under LH (NR)	1
2	94433HPW610CBK COW'G, under LH (NS)	1
2	94433HPW611CBK COW'G, under LH (NW)	1
2	94433HP94500BK COW'G, under LH (BK,DR)	1
3	94431HP94000 COW'G, under center (BK,DR,DS,WP)	1
4	94434HP9402 PLATE, under COW'G RH	1
5	94435HP9401 PLATE, under COW'G LH	1
6	94436HP9401 PLATE, under center COW'G	1
7	94478HP9400 PLATE COMP,under COW'G upper RH	1
8	94479HP9400 PLATE COMP,under COW'G upper LH	1
9	01134-06306 BOLT, body under COW'G & frame	2
10	09106H05150 BOLT, body under COW'G R/L	11
10-1	09136-06113 BOLT	2
10-2	09106H06150 BOLT	4
11	09148-05004 NUT, under COW'G	9
12	94425HP9401 PLATE, body COW'G side lower	2
13	94426HP9401 PLATE, body COW'G side	4
14	94439HP9400120 GRILL, under center COW'G	1
15	94417HP9201 PLATE COMP, frame & body COW'G No.2	2
16	03151-05125 SCREW, side COW'G & lower cowl	7
16-1	03241-05125 SCREW	9
17	68130HP9450015 TAPE, "GT650 R" RH(color:0DR)	2
	68130HP945003P TAPE, "GT650 R" RH(color:0BK)	2
18	94453HP9400 CUSHION, Under Cow'g Side L	2
19	94456HP9400 CUSHION, Under Cent Cow'g R	1
20	94457HP9400 CUSHION, Under Cent Cow'g L	1
21	94458HP9400 CUSHION, Under Cowling R	1
22	94459HP9400 CUSHION, Under Cowling L	1

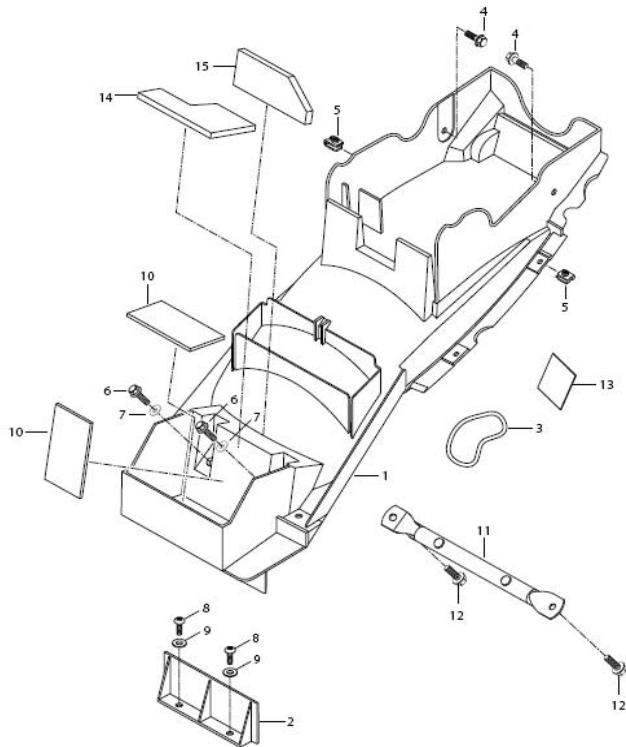
FIG 37



# FIG 38. REAR FENDER

FIG 38

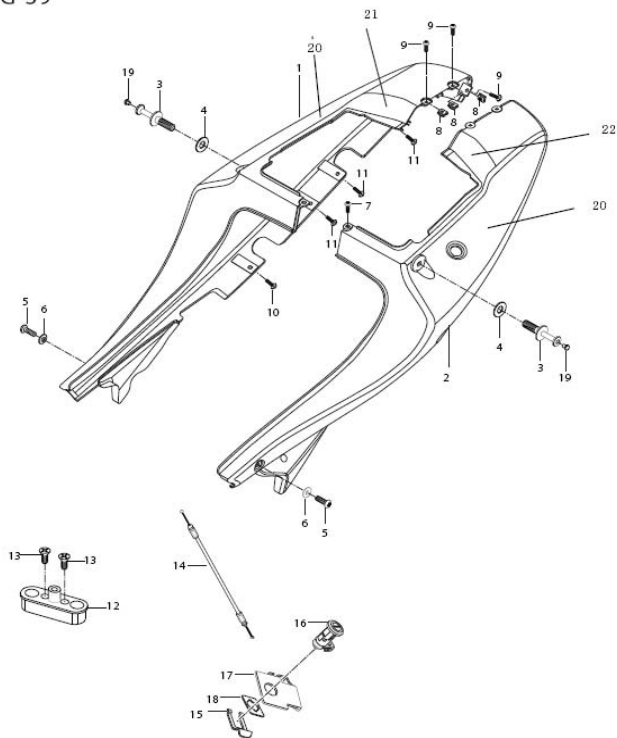
REF. NO.	PART NAME	QTY
1	63112H9970012A FENDER, rear front	1
2	63114HM99700 FENDER, rear lower	1
3	09280-63003 BAND, tool	1
4	09111H06066 BOLT, rr fender ft up	2
5	09148-05039 NUT, rr fender ft	2
6	01517-06166 BOLT, rr fender ft & frame side tube	2
7	09169-06032 WASHER, rr fender ft & frame side tube	2
8	02142-06166 SCREW, rr fender lower	2
9	09169-06032 WASHER, rr fender lower	2
10	41589HG5900 CUSHION, rr fender ft & battery	1
11	41589HR9700 CUSHION, rr fender ft & battery NO2	1
12	63120HM810003P TUBE COMP, RR fender FT & frm side	1
13	63120HN9150120 TUBE COMP, RR fender FT & frm side	1
14	01517-08168 BOLT, frm side tube	2
15	63115HN9101 TAPE, RR fender FT	1
16	68350HM8150PL LABEL, caution NO.1 (7EU01)	1
	68350HM8160PL LABEL, caution NO.1 (7G01)	1
	68350HM8180PL LABEL, caution NO.1 (7S01)	1
	68350HM8190PL LABEL, caution NO.1 (7F01)	1
17	02142-04088 BOLT, RR Fender FT	2



# FIG 39. SIDE COVER

REF. NO.	PART NAME	Q'TY
1	47111H99700CBK COVER, side RH	1
2	47211H99700CBK COVER, side LH	1
3	47113HM8101 BOLT, luggage support	1
4	08322-11088 WASHER, luggage bolt & frm side	2
5	09106H06150 SCREW, frm side front	2
6	09169H06078 WASHER, frm side front	2
7	02142-06165 SCREW, frm side center	1
8	09148H05029 NUT, frm side rear up	3
9	09106H05150 SCREW, frm side rear up	3
10	02142-06165 SCREW, frm side low & frm	2
11	09106H05150 SCREW, frm side low & rear fender	6
12	45220HM8101 LOCK ASS'Y, seat striker rear	1
13	02122-06308 SCREW, seat striker	2
14	45280-35C00 CABLE COMP, seat lock	1
15	92414HF4500 LOCK, key set & seat lock guide	1
16	45700HG2610 LOCK ASS'Y, seat	1
17	45381HG2601 GUIDE, seat lock cable	1
18	92413HF4501 WASHER, key set & seat lock guide	1
19	47115HN9100 CAP, luggage support bolt	2
20	68134HP9250015 TAPE, rear seat & side cover	2
21	68204HN9100 TAPE, rear seat & s/cover R	1
22	68206HN9100 TAPE, rear seat & s/cover L	1

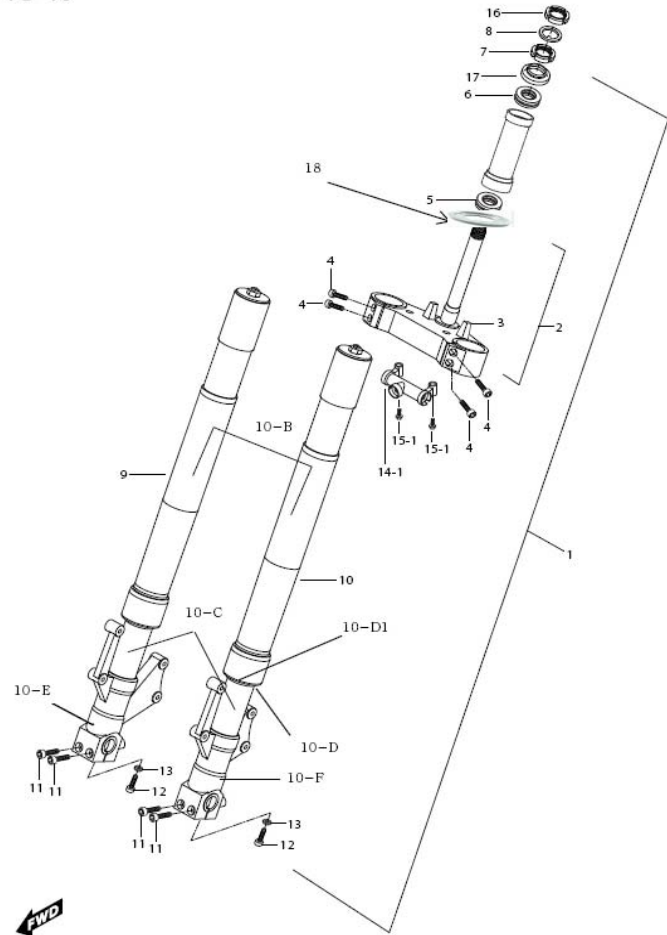
FIG 39



# FIG 40. FRONT FORK

REF. NO.	PART NAME	Q'TY
1	51100HP9250HPA FORK ASS'Y, front(BLACK)	1
2	51411HP9204 BRACKET COMP, front fork under	1
3	51411HP9201 BRACKET, front fork under	1
3-0	51411HP9204 BRACKET, front fork under	1
3-1	51412HM8102 STEER'G STEM	1
3-2	51413HM8100 STOPP.ft fork under	1
4	07110-08258 BOLT, front fork under bracket	4
5	09265H25001 BEARING, steering lower	1
6	09265H28001 BEARING, steering upper	1
7	51631-28000 NUT, steering stem	1
8	09166H25001 WASHER, steering stem	1
9-1	51210H99700120 DAMPER ASS'Y, front fork R(BLACK)	1
10-1	51220HP99700120 DAMPER ASS'Y, front fork L(BLACK)	1
10-A1	52120HP9400 CAP,OUTER TUBE(BLUE)	2
10-B1	52210HP9400120 UPPER CASE, FORK(BLACK)	2
10-C	52110-N9100 PIPE, FORK	2
10-D	51255HG5800 OIL SEAL, FORK	2
10-D1	52620-G5800 AIR DUST COVER	2
10-E1	52280HP9400120 BOTTOM BLOCK RH(BLACK)	1
10-F1	52270HP9400120 BOTTOM BLOCK LH(BLACK)	1
11	09106H08458 BOLT, axle grip	4
12	07110-08258 BOLT, fork clip	2
13	90544H93B00 WASHER, spacer	2
14	51511HN9101 JOINT, front brake hose	1
15	01517-06308 BOLT, front brake hose joint	2
16	51631HN9100 NUT, steering stem upper	1
17	51643HG5801 DUST SEAL, steering upper	1
18	09164H28001 WASHER, PROTECTOR	1

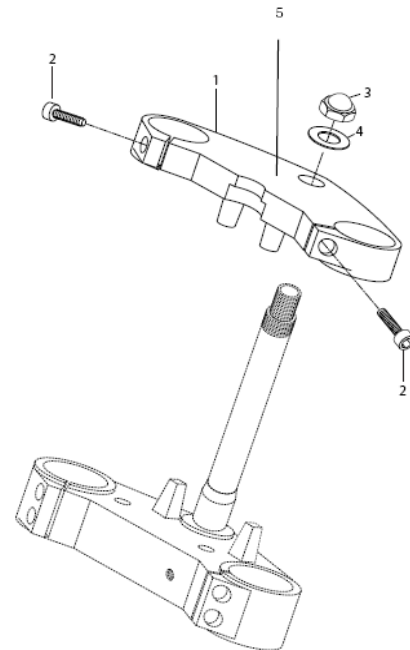
FIG 40



# FIG 41. STEERING HEAD

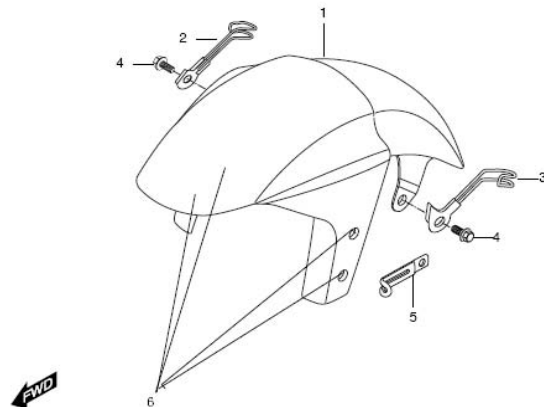
FIG 41

REF. NO.		PART NAME	QTY
1	51311H9700AZ1	BRACKET, front fork upper	1
2	07110-08258	BOLT, front fork upper bracket	2
3	09159H22002	NUT, str upper	1
4	09160H22032	WASHER, str upper	1
5	68140HP9400	EMBLEM	1



## FIG 42. FRONT FENDER

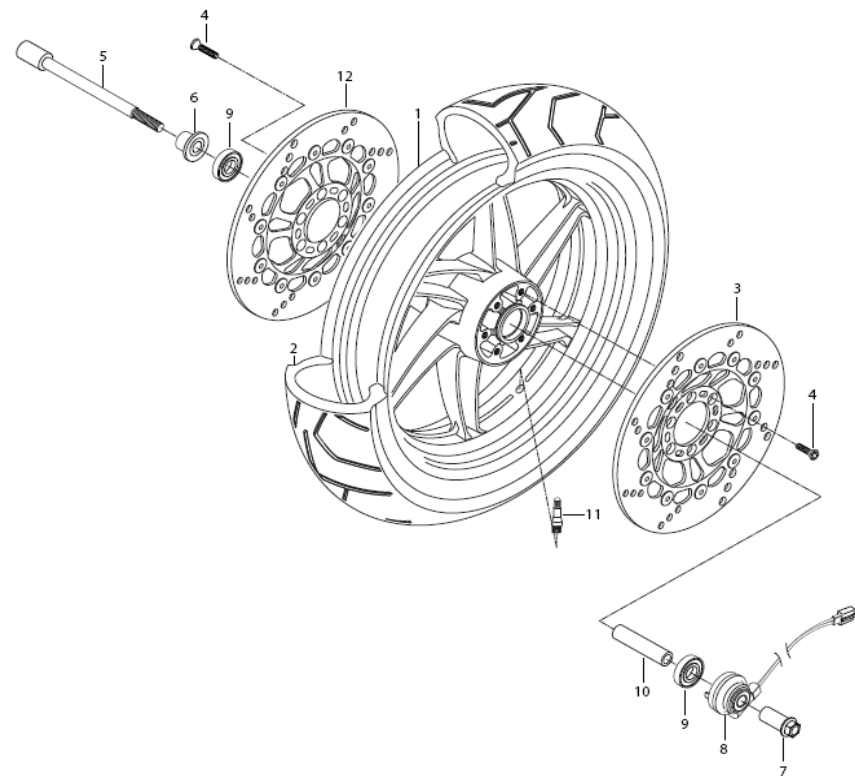
REF. NO.		PART NAME	QTY
1	53111HM81010BK	FENDER, front	1
2	59430HN9100	CLAMP COMP, front brake hose R	1
3	59440HN9100	CLAMP COMP, front brake hose L	1
4	01517-08126	BOLT, front brake hose clamp R/L	2
5	09404-08403	CLAMP, speed sensor	1
6	09169H06078	WASHER, front fender	4
7	09106H06150	Bolt,front fender	4



# FIG 43. FRONT WHEEL

FIG 43

REF. NO.		PART NAME	QTY
1	54140HN9101120	WHEEL + BEARING	1
3	59211HM8101	DISC COMP, front L	1
4	59421-03A01	BOLT, front brake disc	12
5	54711HG5101	AXLEL, front	1
6	54740HM8101	SPACER COMP, front axle R	1
7	54721HM8100	NUT, front axle	1
8	34860HP9201	SENSOR ASS'Y, speedometer	1
9	08124-63027	BEARING, front hub	2
10	54731HM8100	SPACER, front hub	1
11	55220-29C20	VALVE ASS'Y, wheel rim	1
12	59221HM8161	DISC COMP, F/T R	1

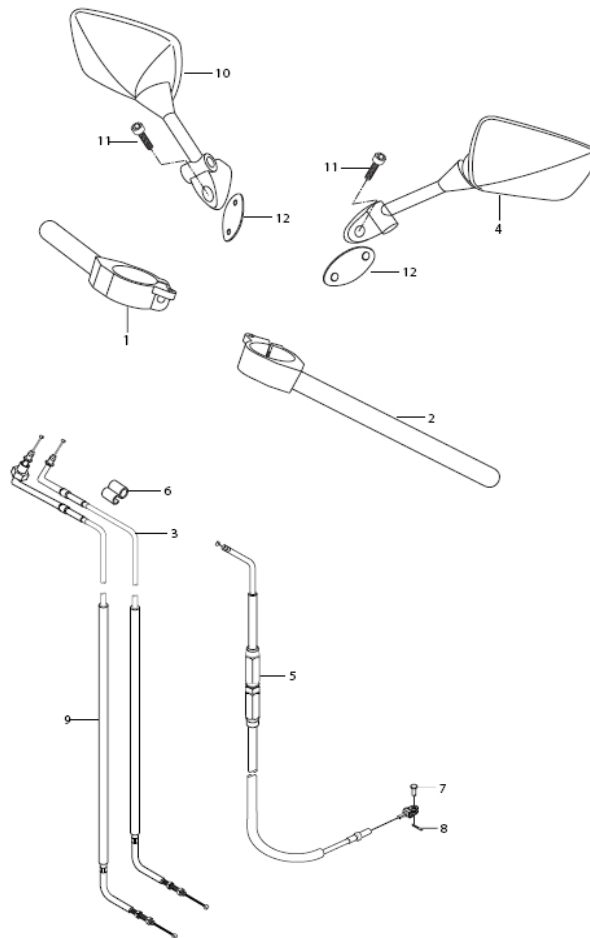


# FIG 44. HANDLE BAR

FIG 44

REF. NO.		PART NAME	QTY
----------	--	-----------	-----

1	56110HP9203	HANDLE BAR COMP. R	1
2	56120HP9204	HANDLE BAR COMP. L	1
3	58300HR9700	CABLE ASS'Y, throttle	1
4	56600HP9200	MIRROR ASS'Y, rear view L	1
5	58200HP9203	CABLE ASS'Y CLUTCH	1
6	09408-00002	CLIP, throttle cable & return cable	1
7	09200-06004	PIN, clutch cable	1
8	04111-20158	COTTER PIN, clutch	1
9	58600HR9700	CABLE ASS'Y, throttle return	1
10	56500HP9200	MIRROR ASS'Y, rear view R	1
11	07110-06205	BOLT, mirror assy	4
12	56503HP9200	CUSHION, rear view mirror	2



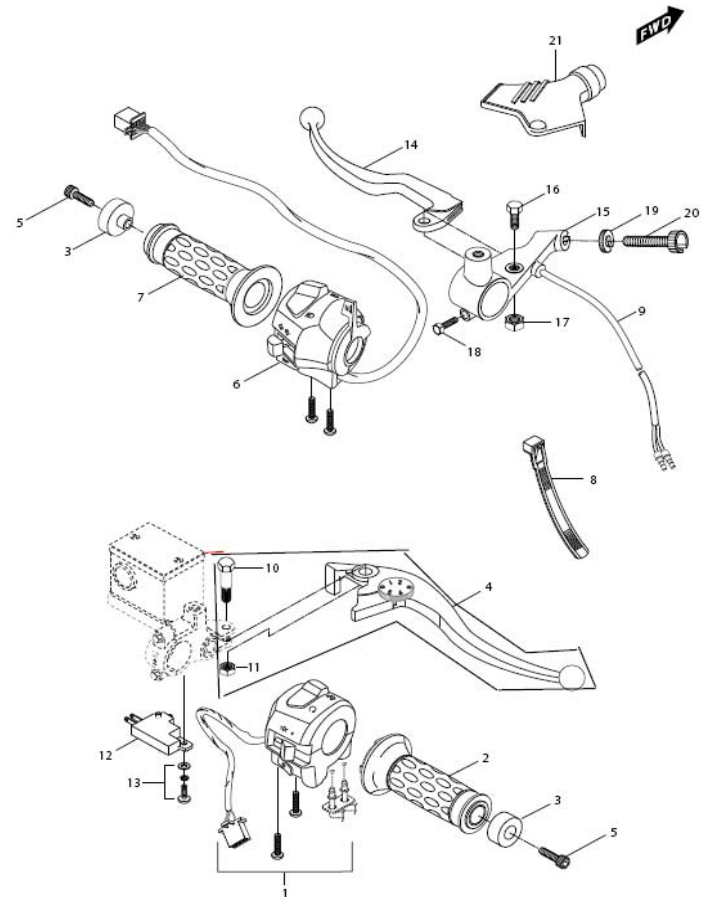


# FIG 45. HANDLE SWITCH

FIG 45

REF. NO.	PART NAME	QTY
----------	-----------	-----

1	37200HN9100	SWITCH ASSY, handle R	1
2	57110HP9300	GRIP COMP, throttle	1
4	57300HN9102	LEVER ASS'Y, brake	1
5	07110-08208	BOLT, handle balancer	2
6	37400HR9700	SWITCH ASSY, handle L	1
7	57211HG5800	GRIP, L	1
8	09407-14403	CLAMP, handle switch harness	2
9	57460HJ8250	SWITCH ASSY, clutch	1
10	57431HN9101	BOLT, brake lever pivot	1
11	08319-21068	NUT, brake lever pivot	1
12	57460-17C00	SWITCH ASS'Y, stop	1
13	02112-74108	SCREW, stop switch	1
14	57620HN9101	LEVER COMP, clutch	1
15	57511HN9101	HOLDER, clutch lever	1
16	57531HN9100	BOLT SET, clutch lever pivot	1
17	08319-21068	NUT, clutch lever pivot	1
18	57451H93B00	BOLT, clutch lever holder	1
19	57442H93B00	LOCK NUT	1
20	57441H93B00	ADJUSTER, wire	1
21	57661HN9100	COVER, clutch lever	1

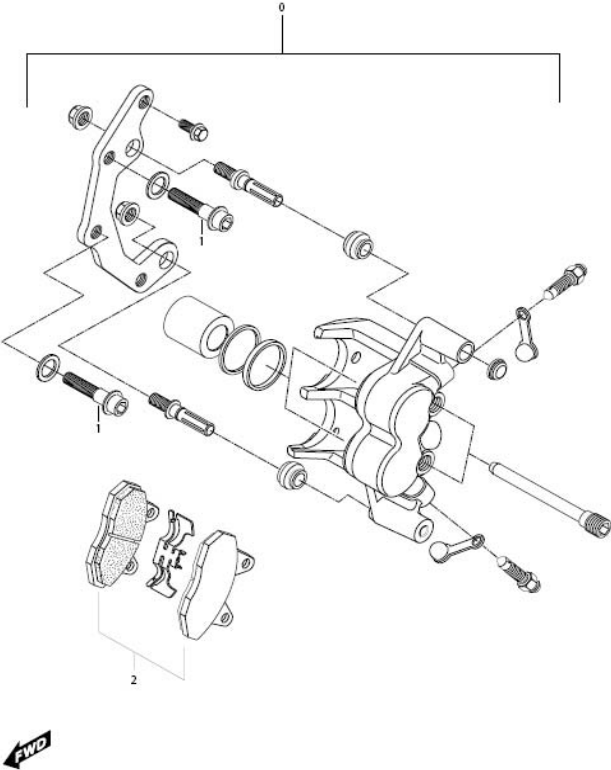


# FIG 46. CALIPER LH

FIG 46

REF. NO.		PART NAME	QTY
----------	--	-----------	-----

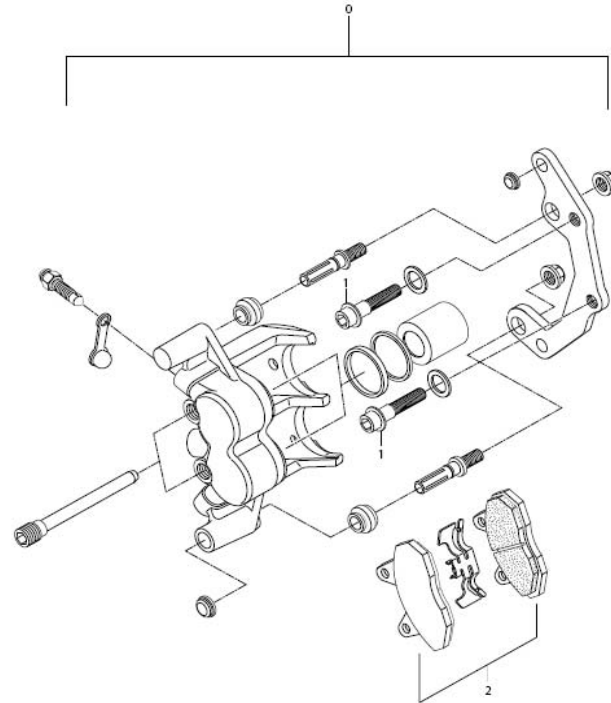
0	59300H99700	CALIPER ASS'Y, L	1
1	09103H08254	BOLT, caliper	2
2	59330H99700	PAD SET	1



# FIG 47. CALIPER RH

REF. NO.		PART NAME	QTY
0	59400H99700	CALIPER ASS'Y, R	1
1	09103H08254	BOLT, caliper	2
2	59330H99700	PAD SET	1

FIG.47

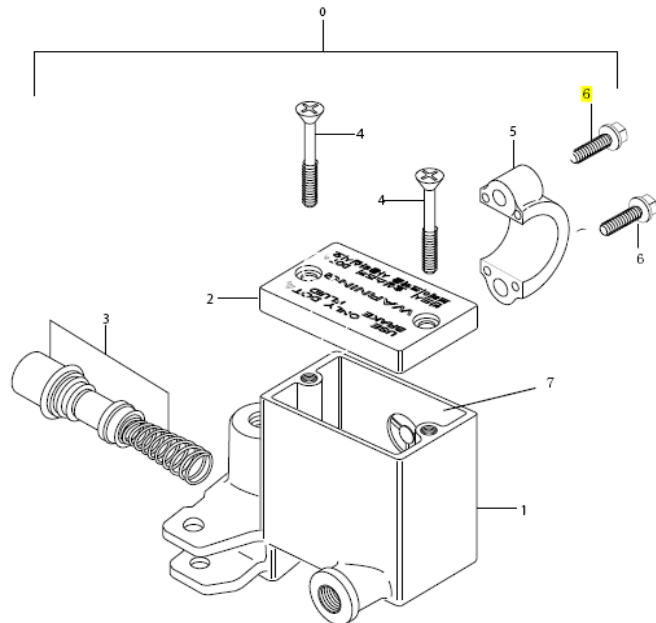


# FIG 48. MASTER CYLINDER

FIG.48

REF. NO.	PART NAME	QTY
----------	-----------	-----

0	59600HP9201	CYLINDER ASS'Y, front master	1
1	59687HM8162	BODY	1
2	59669SN9110	CAP SET, master cylinder	1
2-A	59669HN9100	CAP, Master Cylinder	1
2-B	59511HP9200	PLATE, reservoir cap	1
3	59610HN9100	PISTON, SET	1
4	59691-35C00	SCREW	2
5	59671-35C00	HOLDER	1
6	01107-35C00	BOLT, holder	2
7	59667HP9200	DIAPHRAGM	1

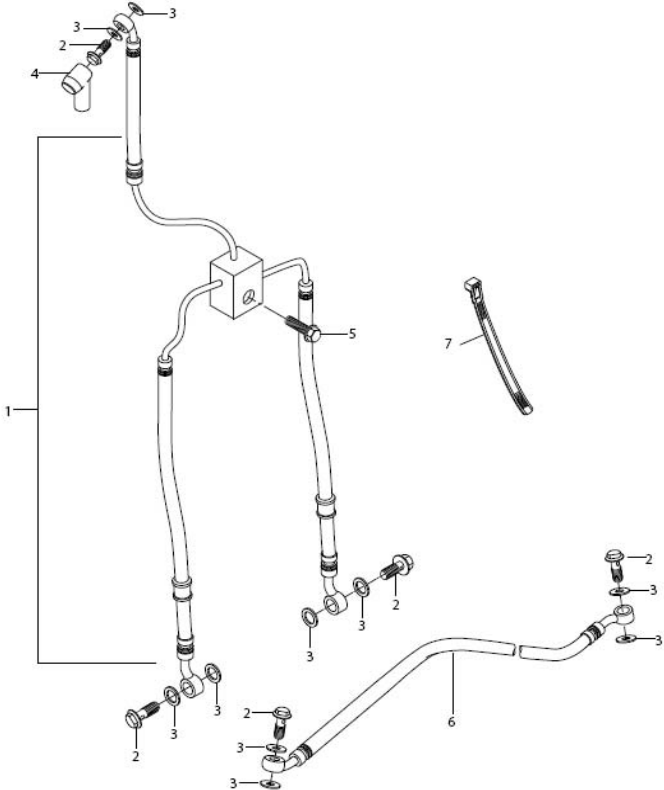


# FIG 49. FRONT BRAKE HOSE

REF. NO.		PART NAME	QTY
----------	--	-----------	-----

1	59480H99700	HOSE COMP, front brake	1
2	09360-10039	BOLT, brake hose	5
3	09161-10005	WASHER, brake hose	10
4	59711H49002	BOOT, brake hose	1
5	01547-06303	BOLT, front brake hose	1
6	69480HM8104	HOSE COMP, rear brake	1
7	09407-20406	CLAMP, speed sensor	3

FIG.49 (GT650R FI)

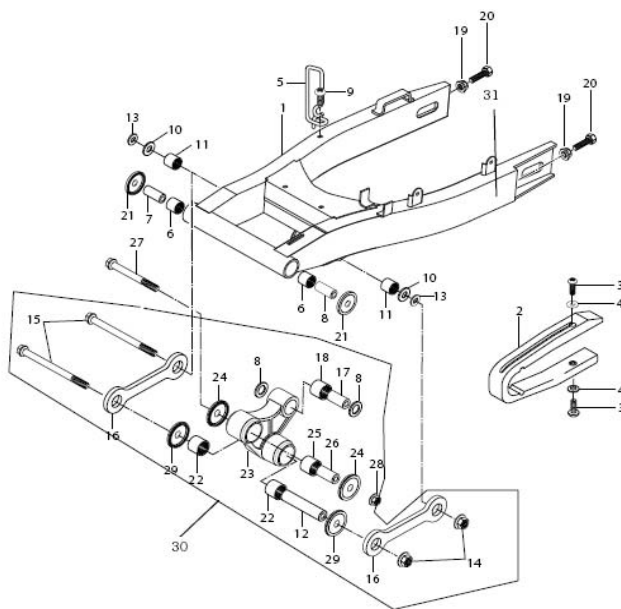


P.W.D.

# FIG 50. SWINGING ARM

FIG 50

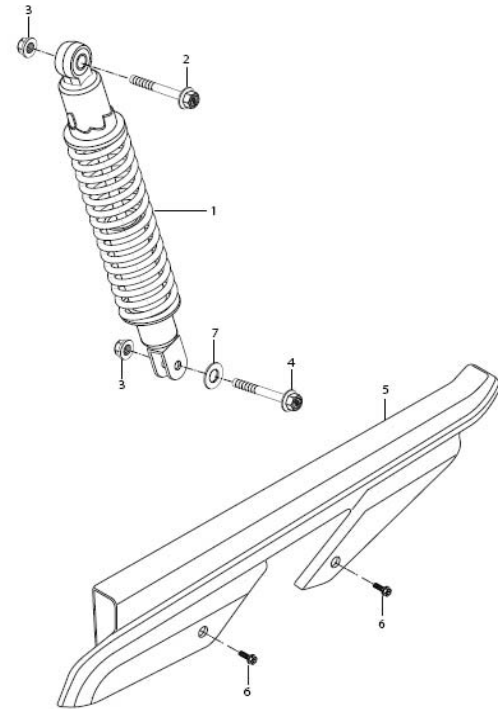
REF. NO.	PART NAME	Q'TY
1	61100SN9106120 REAR SWINGARM ASS'Y(Black)	1
	61100HN9106120 SWINGARM COMP, rear(Black)	1
2	61273HN9100 BUFFER, chain touch defense	1
3	02142-06166 BOLT, chain touch defense buffer	2
4	09169-06032 WASHER, chain touch defense buffer	2
5	61510HM8100 GUIDE, rear brake hose No.1	1
6	09263-22017 BEARING, rear swingarm pivot	2
7	61252HN9100 SPACER, rear swingarm pivot R	1
8	61251HM8100 SPACER, rear swingarm pivot bearing	1
9	02142-06128 BOLT, RR brake hose guide N0.1	1
10	09283-20031 SEAL, rear cushion rod	2
11	09263H20003 BEARING, rear cushion rod	2
12	09180H14001 SPACER, rear cushion rod	1
13	08211-14341 WASHER, rear cushion rod	2
14	09159H14008 NUT, rear cushion rod	2
15	09103H14001 BOLT, rear cushion rod	2
16	62641HN9100 ROD, rear cushion lever	2
17	09180H10073 SPACER, rear cushion lever rear	1
18	09263H17002 BEARING, rear cushion lever rear	1
19	08316-16088 NUT, chain adjuster	2
20	09103H08608 BOLT, chain adjuster	2
21	61262-45002 COVER, rear swingarm pivot	2
22	09263H20003 BEARING, rear cushion lever center	2
23	62611HG5800 LEVER, rear cushion	1
24	09284H33003 DUST SEAL, rear cushion lever front	2
25	09263-20073 BEARING, rear cushion lever front	1
26	09180H12001 SPACER, rear cushion lever front	2
27	09103H12046 BOLT, rear cushion lever front	1
28	08319-31128 NUT, rear cushion lever front	1
29	09284H32001 SEAL, rear cushion lever center	2
30	62611HN9100HPA LEVER, REAR cushion ASS'Y	1
31	68320HN9150PL LABEL, chain case (7EU01)	1
	68320HN9160PL LABEL, chain case (7G01)	1
	68320HN9180PL LABEL, chain case (7S01)	1
	68320HN9190PL LABEL, chain case (7F01)	1



# **FIG 51. REAR SHOCK ABSORBER**

REF. NO.		PART NAME	QTY
1	62100HP9201	SHOCK ABSORBER ASS'Y rear	1
2	09103H10101	BOLT, rear shock absorber upper	2
3	08319-31108	NUT, rear shock absorber upper	1
4	09103H10101	BOLT, rear shock absorber lower	1
5	61310HM8102	CASE COMP, chain	1
6	09111H06066	BOLT, chain case	2
7	09160-10001	WASHER, rear shock absorber lower	1

FIG 51

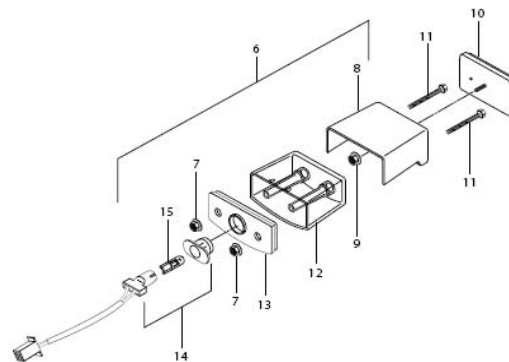
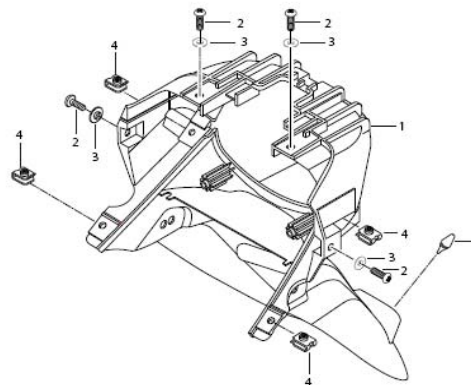


# FIG 52. REAR FENDER

REF. NO.	PART NAME	QTY
----------	-----------	-----

1	63111H9970012A	FENDER, rear	1
2	01517-06206	BOLT, rr fender	4
3	09169-06032	WASHER, rr fender	4
4	09148-05039	NUT, rr fender	4
5	09321-06023	CUSHION, license plate	1
6	35910HP7600	LAMP ASS'Y, license plate	1
7	08316-26055	NUT, license lamp(M5)	2
8	35915HL7300	COVER, license lamp	2
9	08316-26055	NUT, license lamp	2
10	35970-17303	REFLEX REFLECTOR ASS'Y, rear	1
11	01107-05605	SCREW, license lamp	2
12	35911HG5800	LENS, license	1
13	35912HG5800	HOUSING, license	1
14	35916HG5800	CORD ASS'Y	1
15	09471-12210	BULB, license lamp(12V/5W)	1

FIG 52

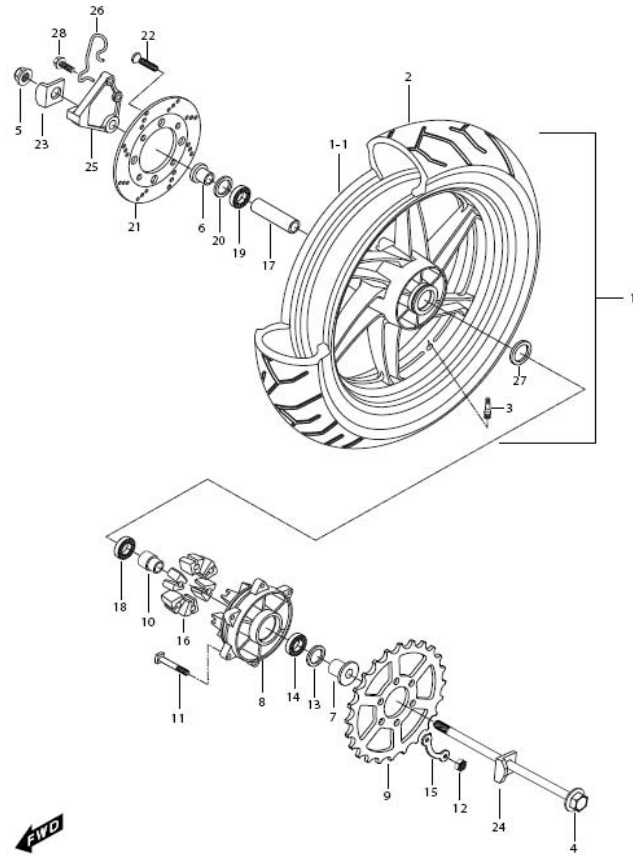




# FIG 53. REAR WHEEL

FIG 53

REF. NO.	PART NAME	QTY
1	64150SN9100120 WHEEL COMP, rear (J17xMT4.50)(Black)+tire	1
1-1	64150HN9100120 WHEEL + BEARING	1
2	65100HN9101 TIRE COMP, rear (160/60-17 69W)	1
3	55220-29C20 VALVE ASS'Y, wheel rim	1
4	64711HN9101 AXLE, rear	1
5	09159H16002 NUT, rear axle	1
6	64741HM8100 SPACER, rear axle R	1
7	64751HM8100 SPACER, rear axle L	1
8	64611HN9150120 DRUM, rear sprocket mounting	1
9	64511HN9101 SPROCKET, rear(44T)	1
10	64733HM8100 RETAINER, rear sprocket drum	1
11	01517-08358 BOLT, rear sprocket	6
12	08319-31088 NUT, rear sprocket	6
13	09285-28001 OIL SEAL, rear sprocket mounting drum	1
14	08133-62047 BEARING, rear sprocket mounting drum	1
15	64162HN9100 WASHER, rear sprocket	3
16	64651HM8101 SHOCKABSORBER, rear wheel	6
17	64731HM8100 SPACER, rear wheel bearing	1
18	08133-62037 BEARING, rear wheel L	1
19	08133-62037 BEARING, rear wheel R	1
20	09283-27010 O-RING, rear hub R	1
21	69211HM8102 DISK, rear brake	1
22	59421-03A01 BOLT, rear brake disk	6
23	61411HN9100 PLATE, chain adjuster R	1
24	61511HN9100 PLATE, chain adjuster L	1
25	69340HM8170120 CARRIER, caliper	1
26	61610HM8101 GUIDE, rr brake hose NO. 2	1
27	09280-55001 O-RING, rear hub L	1
28	01517-06128 BOLT, rr brake hose guide NO. 2	1



# FIG 54. REAR CALIPER

REF. NO.		PART NAME	QTY
----------	--	-----------	-----

0	69300HN9102	CALIPER ASS'Y, L	1
1	09103H08254	BOLT, caliper	2
2	59300HP9500	PAD SET	1

FIG 54

