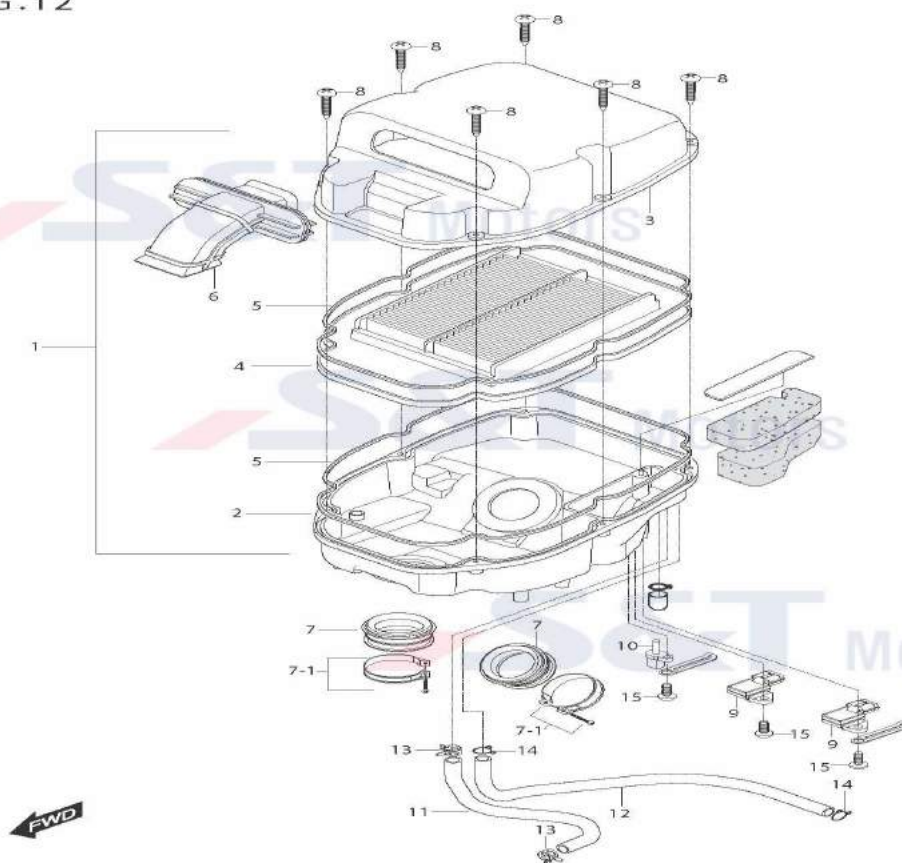
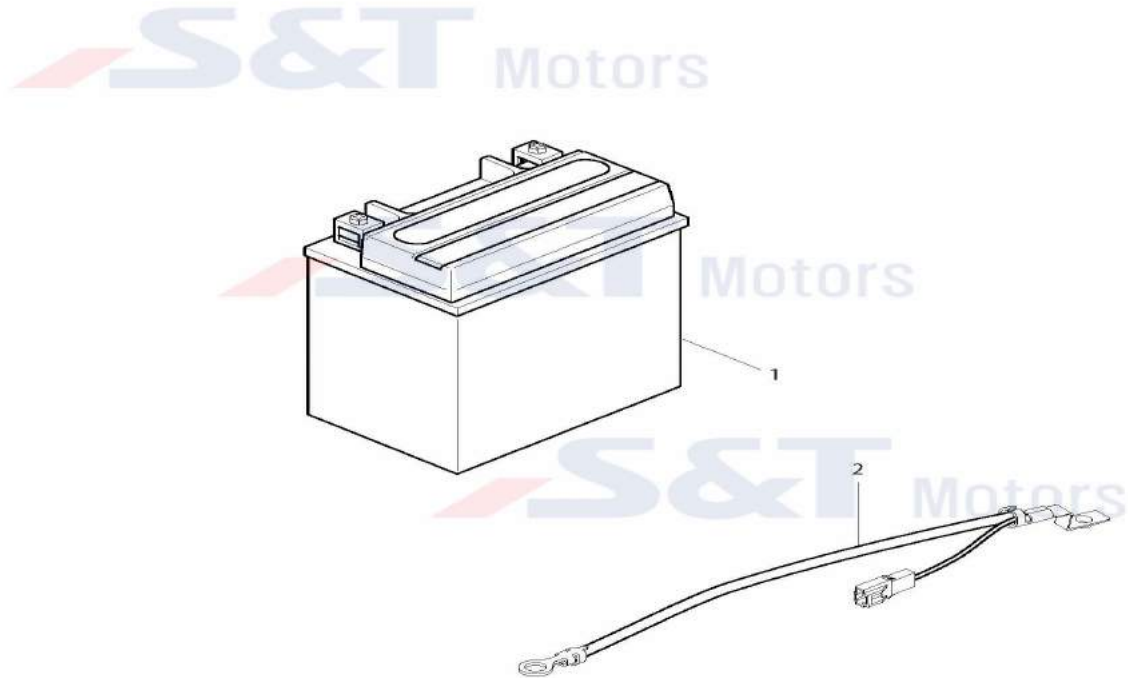


FIG.12



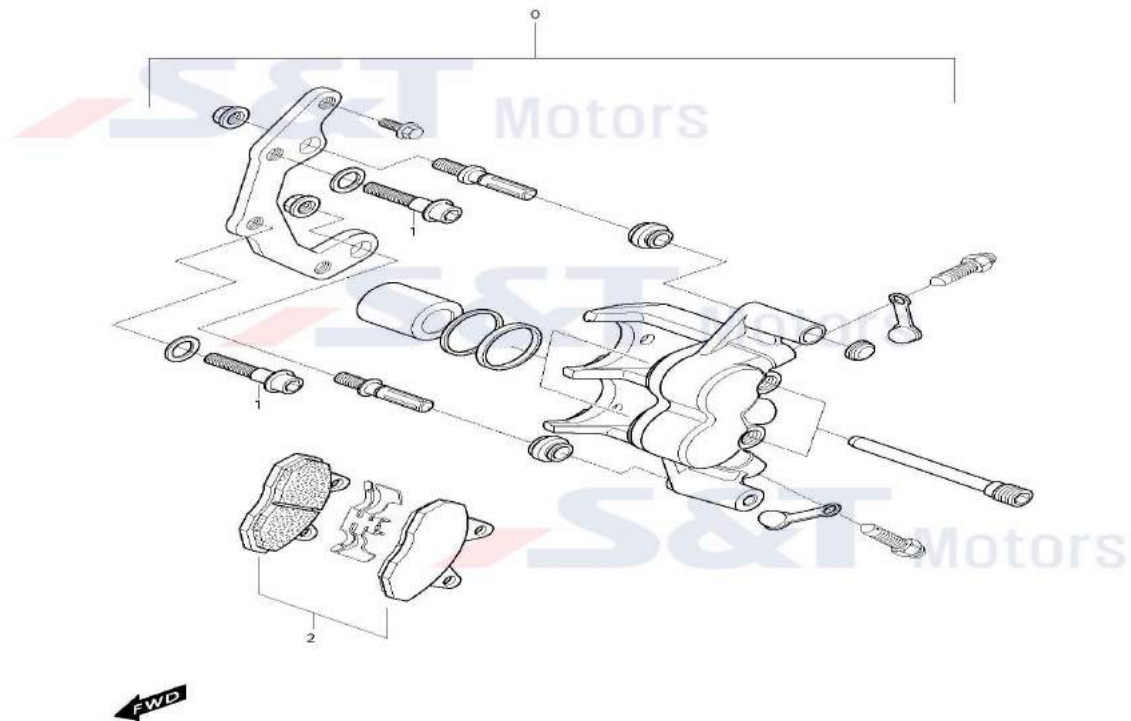
SEQ	PART CODE	PART NAME	U/S	REMARK
1	13700HB9700	CLEANER ASSY,AIR (GT650RN)	1	
4	13780HP9300	FILTER,AIR CLEANER (GT650FI)	1	
5	13746HP9300	GASKET,AIR CLEANER (GT650RN)	2	
6	13891HP9300	INLET TUBE (GT650FI)	1	
7	13881HP9300	OUTLET TUBE (GT650FI)	2	
7-1	09402-54207	CLAMP	2	
8	03241-05256	SCREW,LOWER COVER	6	
9	37920H89300	SENSOR,INTAKE AIR PRESSURE(GT	2	
10	37930H89300	SENSOR,INTAKE A/TEMPERATURE(GT	1	
11	16821HR9800	HOSE,BREATHER O/RETURN NO1(GT)	1	
12	16831HN9101	HOSE,REATHER OIL RETURN N2(GT6	1	
13	09401H16401	CLAMP,2ND AIR VALVE HOSE (SF50	2	
14	09401H14401	CLAMP,BREATHER OIL RETURN(GT65	2	
15	03241-05125	SCREW LOWER COVER CENT (EZ,	3	

FIG 23



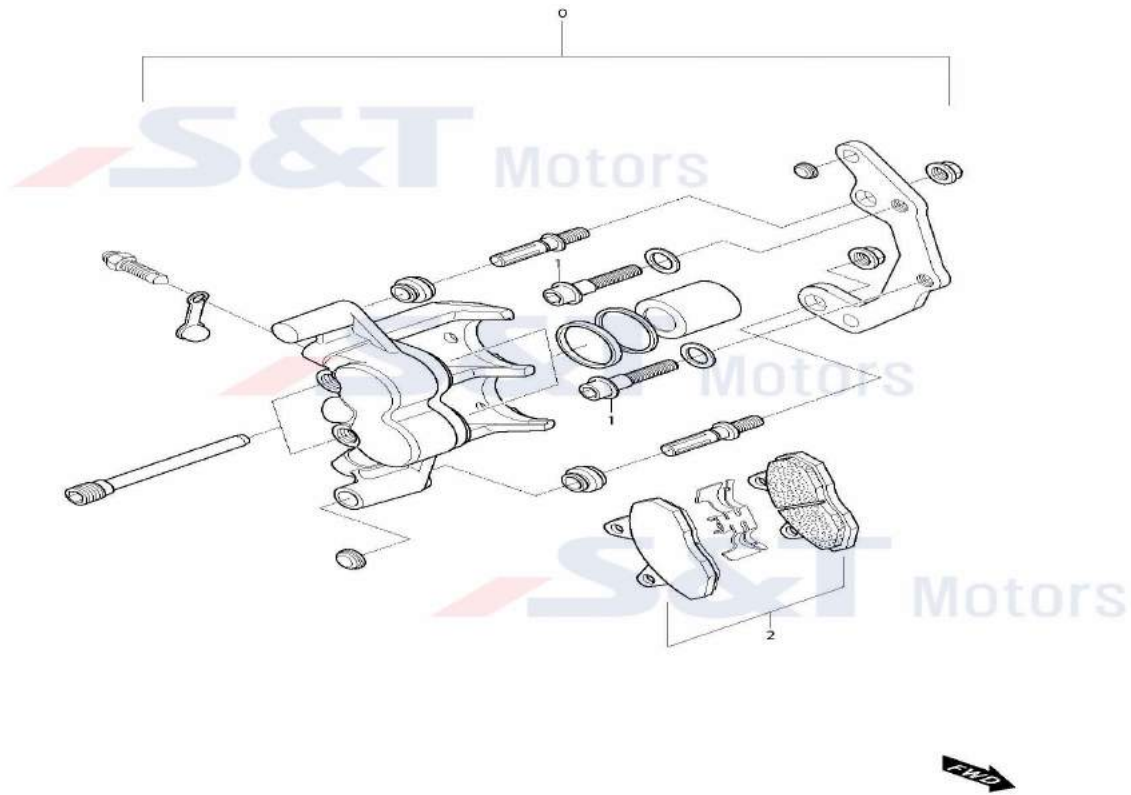
SEQ	PART CODE	PART NAME	U/S	REMARK
1	33610HM8110KOR	BATTERY ASS'Y(12V 12AH) (GT650	1	
2	33860HN9100	LEAD WIRE,BATTERY MINUS(GT650)	1	

FIG 46



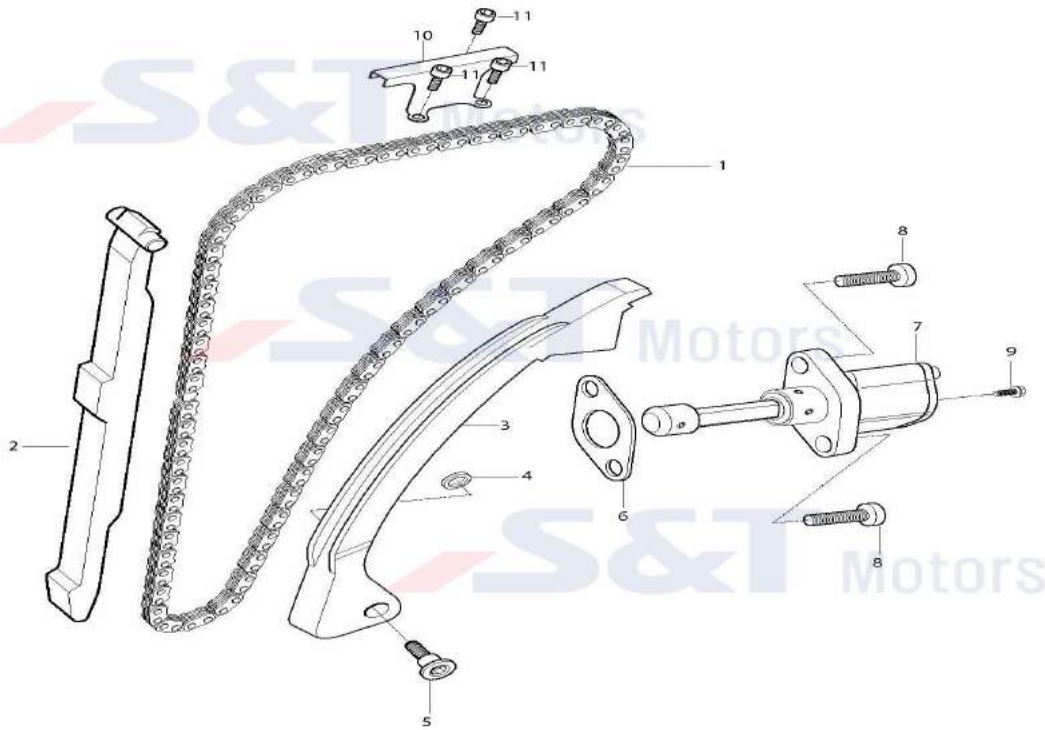
SEQ	PART CODE	PART NAME	U/S	REMARK
0	59300H99701HPA	FRONT CALIPER+PAD SET (GT650P)	1	PAD "O", 2012.5~
1	07120-08358	BOLT,CALIPER (GV650)	2	
2	59301H99700	PAD SET (GT650N)	1	

FIG.47



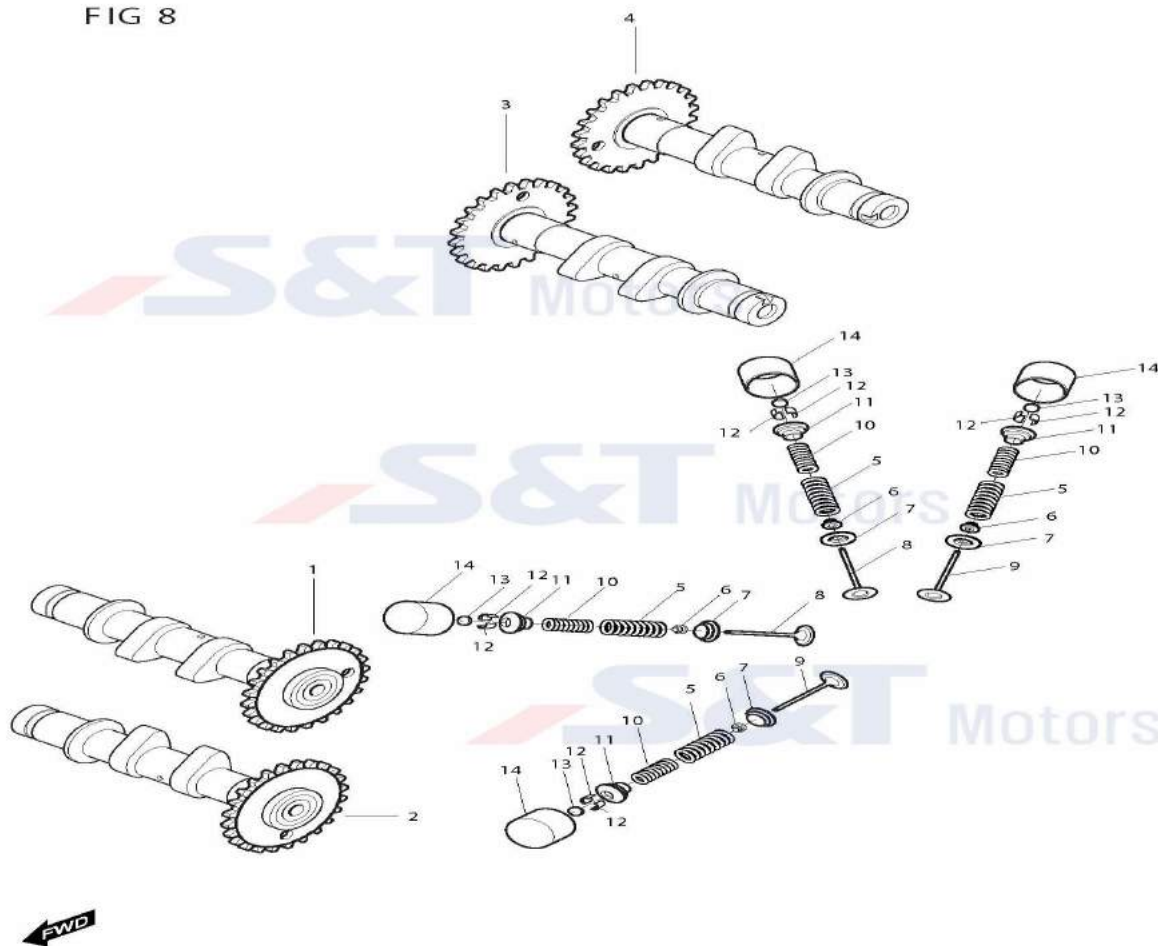
SEQ	PART CODE	PART NAME	U/S	REMARK
0	59400H99701HPA	FRONT CALIPER+PAD SET (GT650P)	1	PAD "O", 2012.5~
1	07120-08358	BOLT,CALIPER (GV650)	2	
2	59301H99700	PAD SET (GT650N)	1	

FIG 9



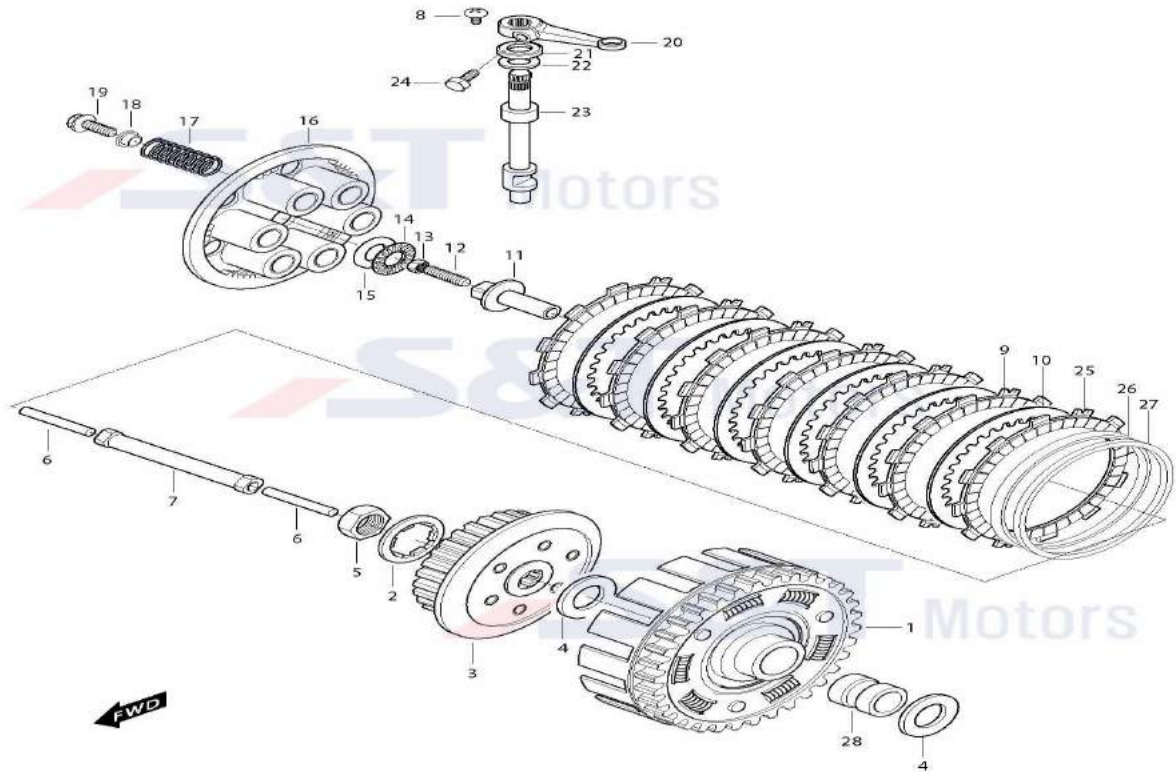
SEQ	PART CODE	PART NAME	U/S	REMARK
1	12760HN9100	CHAIN COMP,CAM SHAFT DRV(GT650	2	
2	12771HN9100	GUIDE,CAM CHAIN NO.1 (GT650)	2	
3	12811HN9101	TENSIONER,CAM CHAIN (GT650)	2	
4	08211-06181	WASHER CAMLINK TENS BOLT (GD)	2	
5	12812HN9101	BOLT,CAM CHAIN TESIONER(GT650)	1	
6	12837HP8900	GASKET,TENSIONER ADJUST(GT650)	2	
7	12830HN9120	ADJUSTER ASS'Y,TENSION (GT650)	2	
8	07110-06208	BOLT,FRONT FENDER LH (GD,GA-F)	4	
9	12839-38200	PLUG,ADJUSTER (GD,GA-F)	2	
10	12782HN9100	GUIDE,CAM CHAIN NO.2 (GT650)	2	
11	07110-06108	BOLT,TAIL COVER (GV650)	6	

FIG 8



SEQ	PART CODE	PART NAME	U/S	REMARK
1	12710HN9100HPA	CAM SHAFT INTAKE FRONT (GT650	1	
2	12730HN9100HPA	CAM SHAFT EXHAUST FRONT(GT650)	1	
3	12720HN9100HPA	CAM SHAFT INTAKE REAR (GT650)	1	
4	12740HN9100HPA	CAM SHAFT EXHAUST REAR (GT650)	1	
5	12922HN9100	SPRING,VALVE OUTER (GT650	8	
6	09289H04002	SEAL,VALVE STEM OIL (GV250)	8	
7	12933HN9100	SEAT,VALVE SPRING (GT650)	8	
8	12911HN9101	VALVE,INTAKE (GT650)	4	
9	12912HN9101	VALVE,EXHAUST (GT650)	4	
10	12921HN9101	SPRING,VALVE INNER (GT650)	8	
11	12931HN9100	RETAINER,VALVE SPRING (GT650)	8	
12	12932HJ8200	COTTER,VALVE (GV250)	16	
13	12892-05C00170	SHIM TAPPET (GD)	8	
14	12881HN9100	TAPPET (GT650)	8	

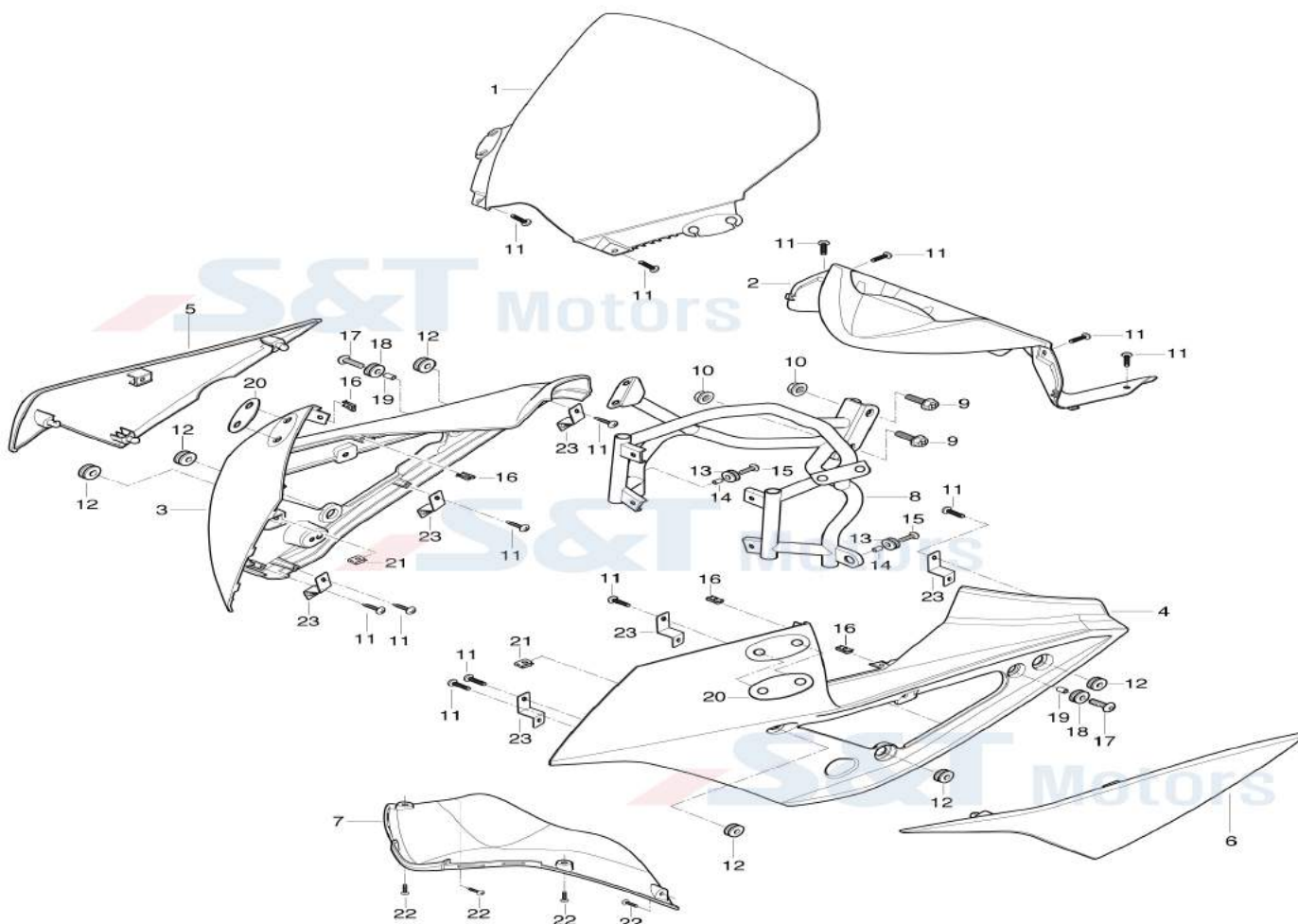
FIG 18



SEQ	PART CODE	PART NAME	U/S	REMARK
1	21210HN9101HPA	GEAR PRIMARY DRIVEN (GT650)	1	
2	09167H20001	WASHER,CLUTCH SLEEVE HUB(GT650)	1	
3	21411HN9102	HUB,CLUTCH SLEEVE (GV650)	1	
4	09160H20003	WASH,PRIMARY DRIVEN GR (GT650)	1	
5	09140H20001	NUT,CLUTCH SLEEVE HUB (GT650)	1	
6	23114HN9100	ROD,CLUTCH PUSH (GT650)	1	
6-1	23115HN9100	ROD,CLUTCH PUSH NO.2 (GT650)	1	
7	23110HN9102	ROD COMP,CLUTCH PUSH (GT650)	1	
8	09136-06017	SCREW,AIR CLENR	1	
9	21441HN9100	PLATE,CLUTCH DRIVE (GV650)	6	
10	21451HN9100	PLATE,CLUTCH DRIVEN (GT650)	6	
11	23121-38201	PIECE CLUTCH PUSH (GD)	1	
12	09134-06010	SCREW,CLUTCH RELEASE	1	
13	08310-22068	NUT,UNIT&COIL (GV650)	1	
14	09263H15001	BEARING,CLUTCH RELEASE	1	
15	09160-15015	THRUST WASHER,CLUTCH RELEASE	1	
16	21462HN9101	DISK,CLUTCH PRESSURE (GT650)	1	

17	09440H20003	SPRING,CLUTCH (GT650)	6
18	21471HN9102	RETAINER,CLUTCH SPRING (GT650)	6
19	09100H06009	BOLT,CLUTCH SPRING (GT650)	6
20	23271HN9100	ARM,CLUTCH RELEASE (GT650)	1
21	09282H12002	SEAL,CLUTCH RELEASE CAM(GT650)	1
22	08211-12281	WASHER,CRANK CAS	1
23	23122HN9100	SHAFT,CLUTCH RELEASE CAM(GT650)	1
24	01107-06208	BOLT,GEAR SHIFT	1
25	21442HN9110	PLATE,CLUTCH DRIVE (GT650)	1
26	21443HN9100	WASHER,CLUTCH WAVE (GT650)	1
27	21444HN9101	SEAT,CLUTCH WAVE WASHER(GT650)	1
28	21251HN9102	SPACER,PRIMARY DRIVEN GEAR(GT6	1

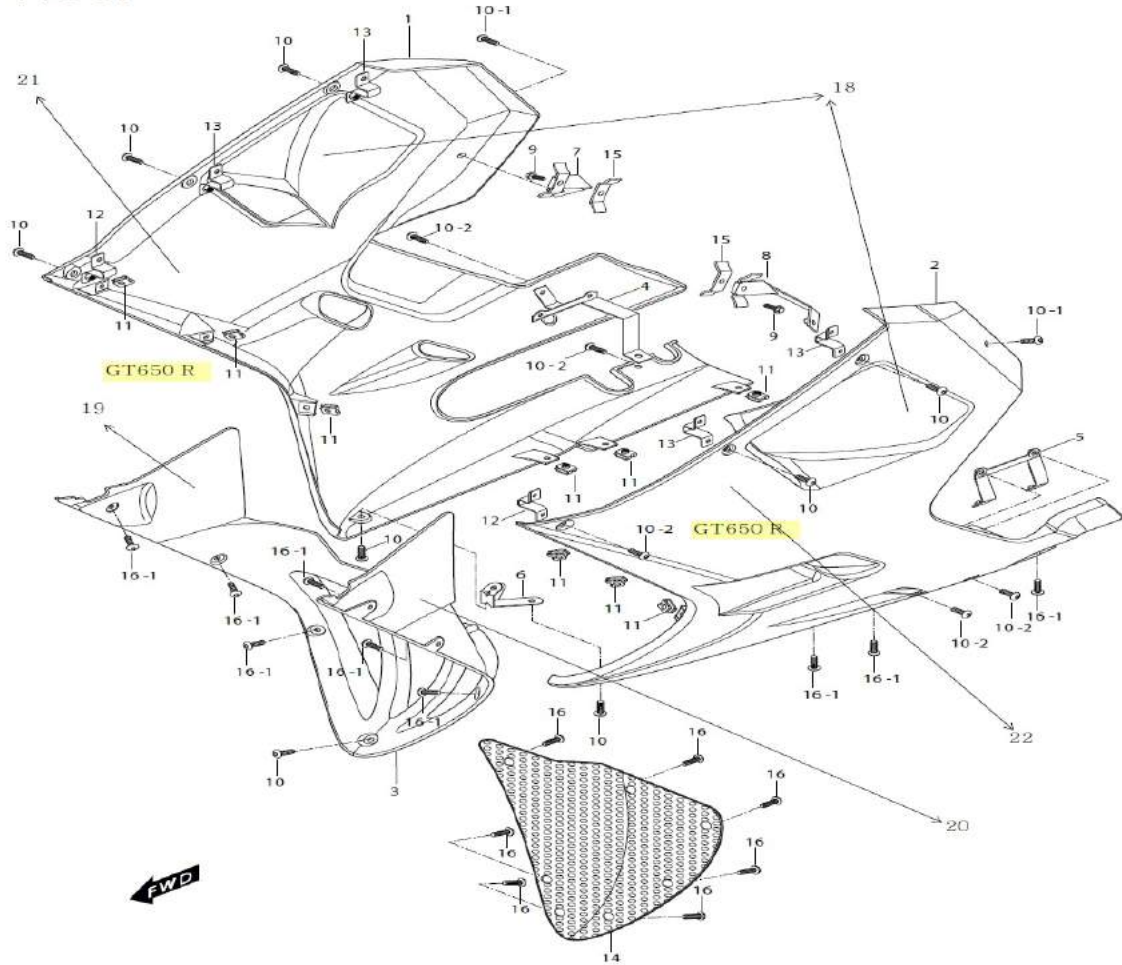
FIG 36



SEQ	PART CODE	PART NAME	U/S	REMARK
1	94611HC9700HPA	WINDSCREEN "HYOSUNG"	1	
1-1	94611HC9700	WINDSCREEN (GT250RC)	1	
1-2	68120HL7300120	EMBLEM,WIND "HYOSUNG"(GT250RN)	1	
2	94641HC9700	PANEL,METER (GT250RC)	1	
3-1	94411HC9700CBK	COWLING,BODY SIDE R (GT250RC)	1 SBK,3BT	
3-2	94411HC9700CDR	COWLING,BODY SIDE R (GT250RC)	1 ODR,3RT	
3-3	94411HC9700CWP	COWLING,BODY SIDE R (GT250RC)	1 OWP,3WT	
4-1	94421HC9700CBK	COWLING,BODY SIDE L (GT250RC)	1 SBK,3BT	
4-2	94421HC9700CDR	COWLING,BODY SIDE L (GT250RC)	1 ODR,3RT	
4-3	94421HC9700CWP	COWLING,BODY SIDE L (GT250RC)	1 OWP,3WT	
5-1	94451HC9700CBK	COWLING,BODY SIDE R NO.2	1 SBK,3BT	
5-2	94451HC9700CDR	COWLING,BODY SIDE R NO.2	1 ODR,3RT	
5-3	94451HC9700CWP	COWLING,BODY SIDE R NO.2	1 OWP,3WT	
6-1	94461HC9700CBK	COWLING,BODY SIDE L NO.2	1 SBK,3BT	
6-2	94461HC9700CDR	COWLING,BODY SIDE L NO.2	1 ODR,3RT	
6-3	94461HC9700CWP	COWLING,BODY SIDE L NO.2	1 OWP,3WT	
7-1	94441HC9700CBK	COWLING,BODY CENTER LOWER(GT25)	1 SBK,3BT	

7-1	94441HC9700CDR	COWLING,BODY CENTER LOWER(GT25	1 0DR,3RT
7-1	94441HC9700CWP	COWLING,BODY CENTER LOWER(GT25	1 0WP,3WT
8	94510HC9700	BRACE COMP,COWLING (GT250RC	1
9	09103H08254	BOLT,CALIPER (GV)	2
10	08313-11088	NUT COW'G BRACE UPPER (GD)	2
11	03241-05125	SCREW LOWER COVER CENT (EZ,	15
12	09320-08013	CUSHION,CHAIN CASE INNER (GV)	6
13	09320-09016	CUSHION,TOOL HOLDER	2
14	09180-06011	SPACER,BATT HOLE	2
15	09116-06143	BOLT OIL COOLER (GSX)	2
16	08316-26066	NUT,REAR COMBI LAMP	4
17	09136-06113	SCREW BODY COWL'G FIT'G (GD)	2
18	09320-09016	CUSHION,TOOL HOLDER	2
19	09180-06011	SPACER,BATT HOLE	2
20	56503HC9700	CUSHION,BRACE COMP & WINDSCREEN	2
21	09148-06020	NUT	2
22	03211-05166	SCREW,HANDLE COVER	4
23	94425HC9700	PLATE BODY COWLING SIDE LOW(GT	6

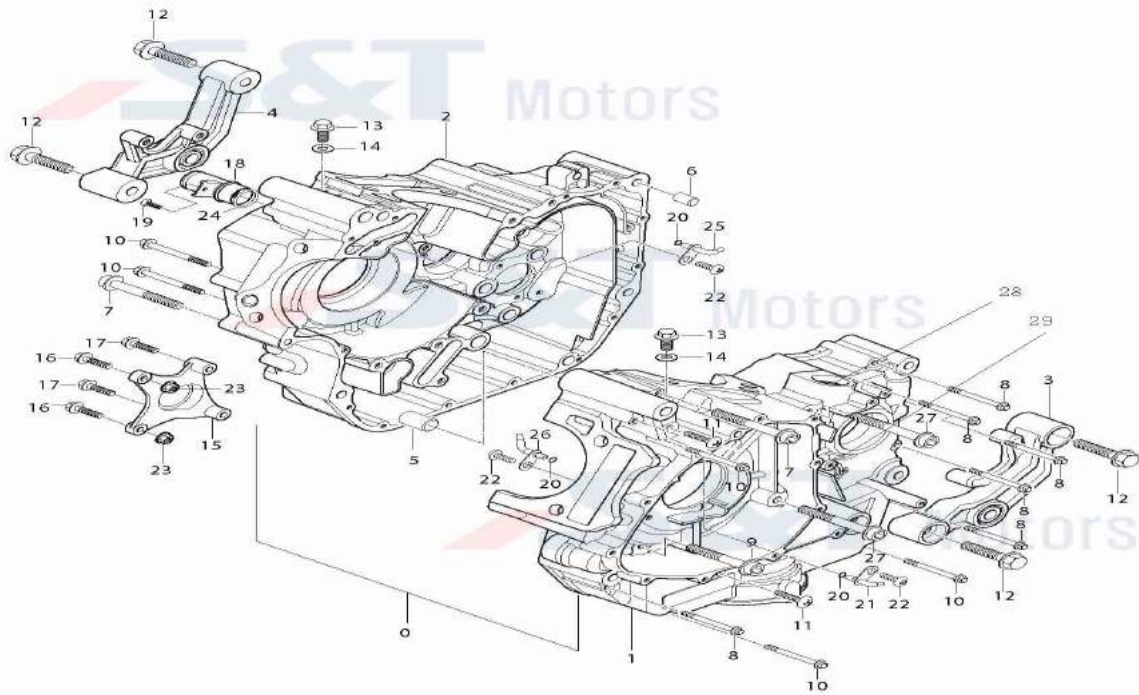
FIG 37



SEQ	PART CODE	PART NAME	U/S	REMARK
1-1	94432HP9402CBK	COWLING,UNDER R (GT250R)	1 ***SBK	
1-1-1	68127HB9770AB4	EMBLEM,UNDER COWLING "GTR"	1 ***SBK	
1-2	94432HP9402CDR	COWLING,UNDER R (GT250R)	1 ***0DR	
1-2-1	68127HB9770AB3	EMBLEM,UNDER COWLING "GTR"	1 ***0DR	
1-3	94432HP9402CWP	COWLING,UNDER R (GT250R)	1 ***0WP	
1-3-1	68127HB9770AB5	EMBLEM,UNDER COWLING "GTR"	1 ***0WP	
1-4	94432HP9402CLG	COWLING,UNDER R (GT250R)	1 ***3BT	
1-4-1	68144HC9770AB7	TAPE, UNDER COWL NO1 RH	1 ***3BT	
1-4-2	68154HC9770125	TAPE, UNDER COWL NO2 RH	1 ***3BT	
1-4-3	68140HB810003P	EMBLEM,UNDER COWLING RH "GT"	1 ***3BT	
1-5	94432HP9402CLG	COWLING,UNDER R (GT250R)	1 ***3RT, 3WT	
1-5-1	68144HC9770AB6	TAPE, UNDER COWL NO1 RH	1 ***3RT, 3WT	
1-5-2	68154HC9770D02	TAPE, UNDER COWL NO2 RH	1 ***3RT, 3WT	
1-5-3	68140HB810003P	EMBLEM,UNDER COWLING RH "GT"	1 ***3RT, 3WT	
2-1	94433HP9400CBK	COWLING,UNDER L (GT650R)	1 ***SBK	
2-1-1	68127HB9770AB4	EMBLEM,UNDER COWLING "GTR"	1 ***SBK	
2-2	94433HP9400CDR	COWLING,UNDER L (GT650R)	1 ***0DR	

2-2-1	68127HB9770AB3	EMBLEM,UNDER COWLING "GTR"	1 ***0DR
2-3	94433HP9400CWP	COWLING,UNDER L (GT650R)	1 ***0WP
2-3-1	68127HB9770AB5	EMBLEM,UNDER COWLING "GTR"	1 ***0WP
2-4	94433HP9400CLG	COWLING,UNDER L (GT650R)	1 ***3BT
2-4-1	68146HC9770AB7	TAPE, UNDER COWL NO1 LH	1 ***3BT
2-4-2	68156HC9770125	TAPE, UNDER COWL NO2 LH	1 ***3BT
2-4-3	68141HB810003P	EMBLEM,UNDER COWLING LH "TR"	1 ***3BT
2-5	94433HP9400CLG	COWLING,UNDER L (GT650R)	1 ***3RT, 3WT
2-5-1	68146HC9770AB6	TAPE, UNDER COWL NO1 LH	1 ***3RT, 3WT
2-5-2	68156HC9770D02	TAPE, UNDER COWL NO2 LH	1 ***3RT, 3WT
2-5-3	68141HB810003P	EMBLEM,UNDER COWLING LH "TR"	1 ***3RT, 3WT
3-1	94431HP94000BK	COWLING,UNDER CENTER (GT650R)	1 ***3BT, SBK
3-2	94431HP94000DR	COWLING,UNDER CENTER (GT650R)	1 ***3RT, 3WT, 0DR
3-3	94431HP94000WP	COWLING,UNDER CENTER (GT650R)	1 ***0WP
4	94434HP9402	PLATE,UNDER COWLING R (GT650R)	1
5	94435HP9401	PLATE,UNDER COWLING L (GT650)	1
6	94436HP9401	PLATE UNDER CENTER COWL'G(GT65	1
7	94478HP9400	PLATE COMP,UNDER COWL'G UPP	1
8	94479HP9400	PLATE COMP,UNDER COWL'G UPP	1
9	01134-06306	BOLT,FUEL TANK REAR	2
10	09106H05150	WRENCH BOLT 5*15MM	11
10-1	09136-06113	SCREW BODY COWL'G FIT'G (GD)	2
10-2	09106H06150	WRENCH BOLT 6*15MM (GT650)	4
11	09148-05004	NUT	9
12	94425HP9401	PLATE BODY COWLING SIDE LOW(GT	2
13	94426HP9401	PLATE,BODY SIDE COWLING(GT650R)	4
14	94439HP9401	GRILL,UNDER CENTER (GT250R)	1
15	94417HP9201	PLATE COMP,FRAME BODY COW NO2	2
16	03241-05125	SCREW LOWER COVER CENT (EZ,	9
17	68130HP9450015	TAPE, GT650R R (GT650R)	2
17	68130HP945003P	TAPE, GT650R R (GT650R)	2
18	94453HP9400	CUSH,UNDER COW SIDE L (GT650R)	2
19	94456HP9400	CUSH,UNDER CENT COW L (GT650R)	1
20	94457HP9400	CUSH,UNDER CENT COW R (GT650R)	1
21	94458HP9400	CUSHION,UNDER COWLING R(GT650R)	1
22	94459HP9400	CUSHION,UNDER COWLING L(GT650R)	1

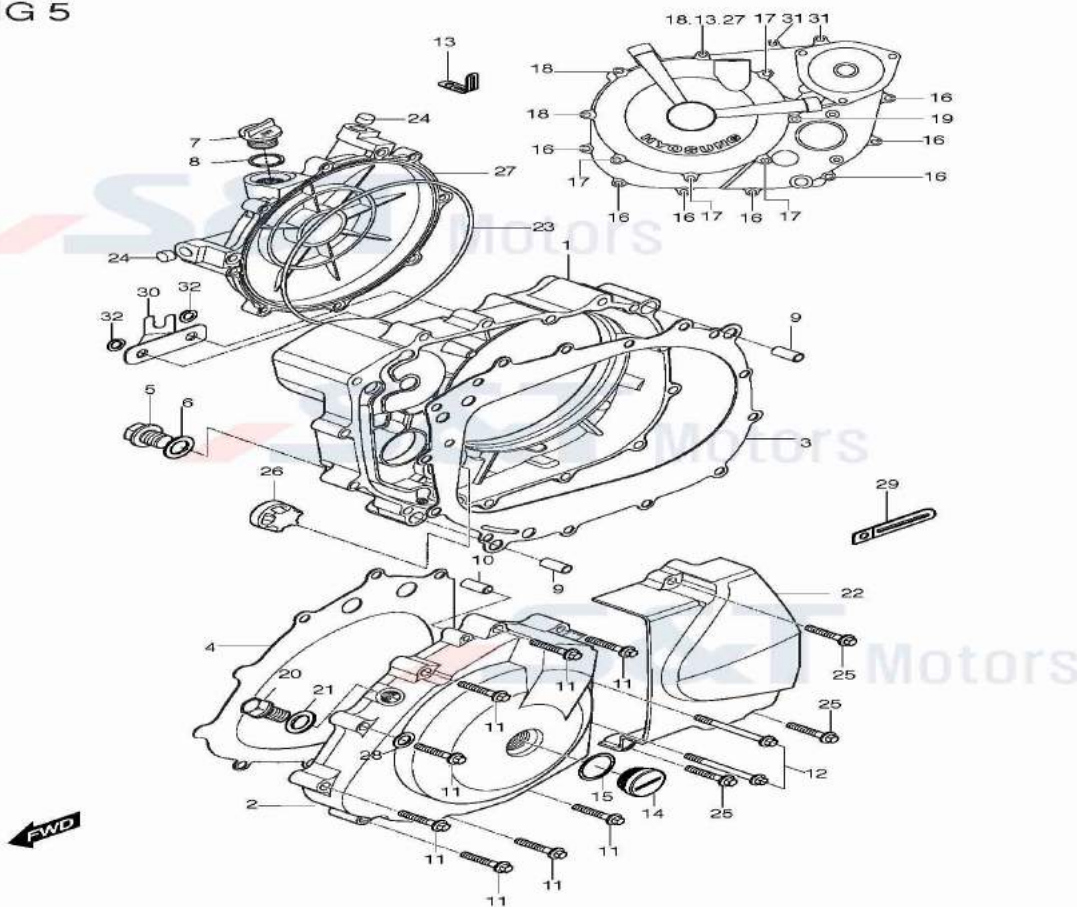
FIG 4



SEQ	PART CODE	PART NAME	U/S	REMARK
0	11300HN9111HPA	CRANK CASE ASSY (GT650)	1	
1	11320HN9110HPA	CRANK CASE ASSY LH (GT650)	1	=>SET : 11300HN9111HPA
2	11310HN9110HPA	CRANK CASE R ASS'Y (GT650)	1	=>SET : 11300HN9111HPA
3	41171HN9101121	LINK,ENGIN MOUNTING L (GT650)	1	
4	41161HN9101121	LINK,ENGIN MOUNTING R (GT650)	1	
5	09206H18001	PIN,CRANK CASE (GT650)	1	
6	04213-13189	PIN,CRANK CASE (GT&GV)	2	
7	07120-08608	BOLT,CRANK CASE (GT650)	2	
8	01547-06608	BOLT,CAM SHAFT HOLDER (GA)	6	
9	07120-08708	BOLT,CRANK CASE (GT650)	2	
10	01547-06808	BOLT,CRANKCASE (GD)	6	
11	02112-06958	SCREW,CLUTCH COVER	2	
12	01517-10458	BOLT,PILLTON FOOTREST RH	4	
13	01514-08128	BOLT,OIL LEVER (GV650)	2	
14	09168-08008	GASKET LEVEL (GV650)	2	
15	31135HN9100121	BRACKET STARTING MOTOR (GT650)	1	BLACK
16	01547-06258	BOLT,INTAKE HEAD (GV650)	2	
17	01547-06308	BOLT,MAGNET&CLUTCH COVER (EZ)	2	

18	17481HN9100	UNION,WATER PUMP HOSE (GT650	1
19	07110-06108	BOLT,TAIL COVER (GV650)	1
20	09280H04001	O-RING,OIL JET (GT650)	3
21	11440HN9100	JET,STARTER CLUTCH OIL (GT650)	1
22	02112-06108	SCREW	3
23	08313-11068	NUT	2
24	09280H21001	O-RING,WATER PUMP UNION(GT650)	1
25	11430HN9100	JET COMP,PISTON REAR OIL(GT650	1
26	11420HN9100	JET COMP,PISTON FRONT OIL(GT65	1
27	09103H08001	BOLT,CRANK CASE (GT650)	2
28	09263H18001	BEAR'G,CLUTCH RELEASE CAN NO.1	1
29	09263H10009	BEAR'G,CLUTCH RELEASE NO.2(GT6	1

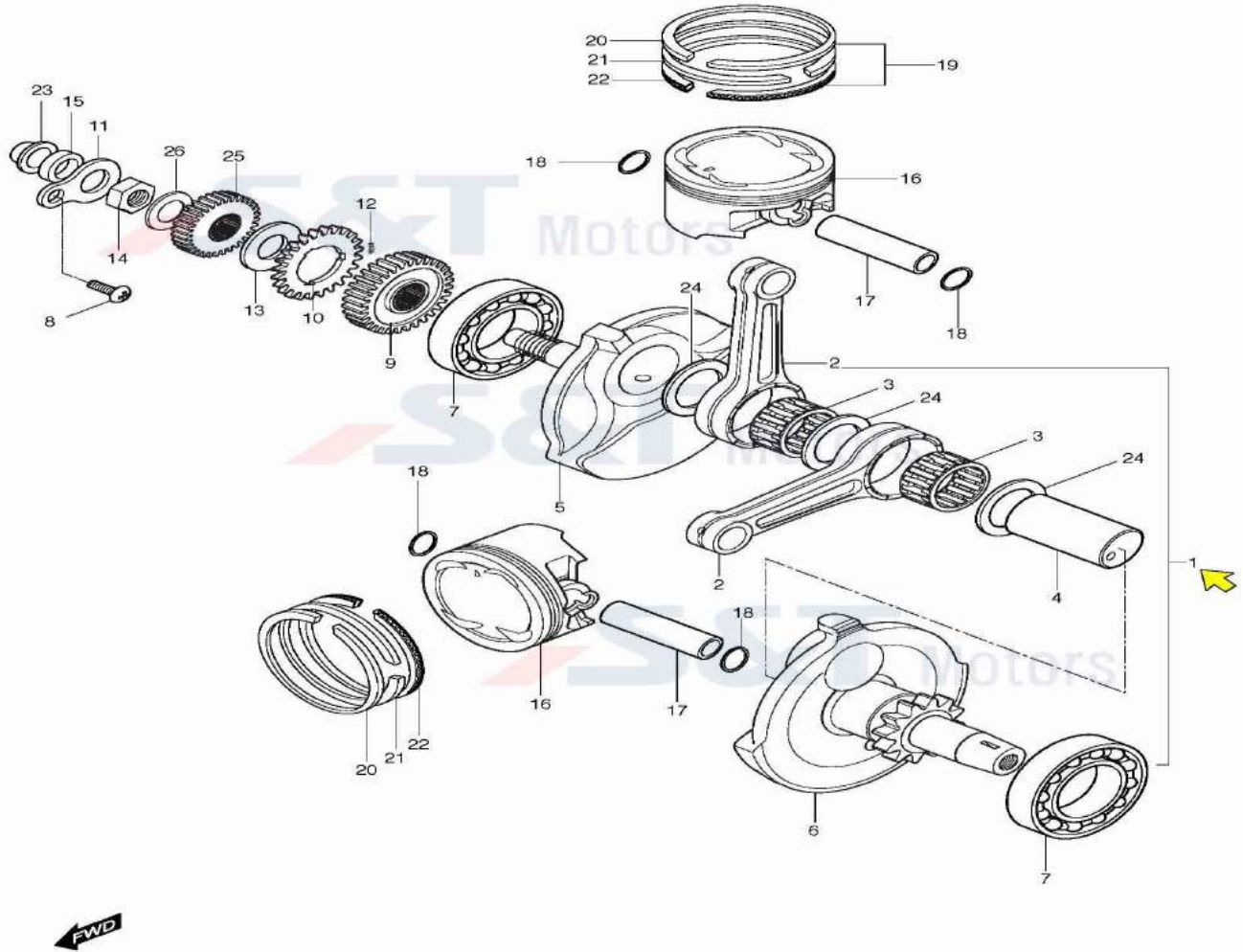
FIG 5



SEQ	PART CODE	PART NAME	U/S	REMARK
1	11331HN9120HPA	COVER,CLUTCH ASSY (GT650)	1	=11331SN9110HPA
2	11351HN9120121	COVER,MAGNETO 30□□(GV650)	1	BLACK
3	11481HN9101	GASKET,CLUTCH COVER (GT650)	1	
4	11483HN9101	GASKET,MAGNETO COVER (GT650)	1	
5	09247-14026	PLUG,BOLT	1	
6	09168H14003	GASKET,OIL CHECK PLUG (SB)	1	
7	09259-20012121	PLUG,ENGINE OIL FILTER (GD)	1	
8	09280-17003	O/RING,ENGINE OIL FILTER	1	
9	04213-13189	PIN,CRANK CASE (GT&GV)	2	
10	04213-09129	PIN,MAGNETO COVER	1	
11	01547-06358	BOLT,MAGET&SPROCKET COV	8	
12	01547-06558	BOLT,CRANK CASE	2	
13	09404-06401	CLAMP,OIL HOSE	1	
14	09259-26015121	PLUG,CRANK SHAFT HOLE□□(TN	1	
15	09280-22008	O/RING,CRANK SHAFT HOLE PL	1	
16	01547-06358	BOLT,MAGET&SPROCKET COV	9	
17	01547-06258	BOLT,INTAKE HEAD (GV650)	4	
18	01547-06708	BOLT,MAGNETO COVER (GV250)	3	

19	01547-06508	BOLT,MAGNETO COVER	1
20	09247H12102	PLUG,T D C	1
21	09168H12003	GASKET,TDC PLUG (SB)	1
22	11361HN9100121	COVER,ENGINE SPROCKET (GT650)	1 BLACK
23	11482HN9100	O-RING,CLUTCH OUTER COV(GT650)	1
24	09243-11005	PLUG,OIL GALLERY	3
25	01547-06258	BOLT,INTAKE HEAD (GV650)	3
26	11332HN9100	LENS,OIL LEVER CHECK (GT650)	1
27	11341HN9103121	COVER,CLUTCH OUTER (GT650)	1 BLACK
28	09168H06019	GASKET,OIL GALLEY BOLT (GV)	2
29	09404-06401	CLAMP,OIL HOSE	1
30	13353HP9401	BRACKET,CARBURETOR ADJUST(GT65)	1
31	01547-06408	BOLT,MAGNET COVER (GV650)	2
32	08321-31088	LOCK WASHER	2

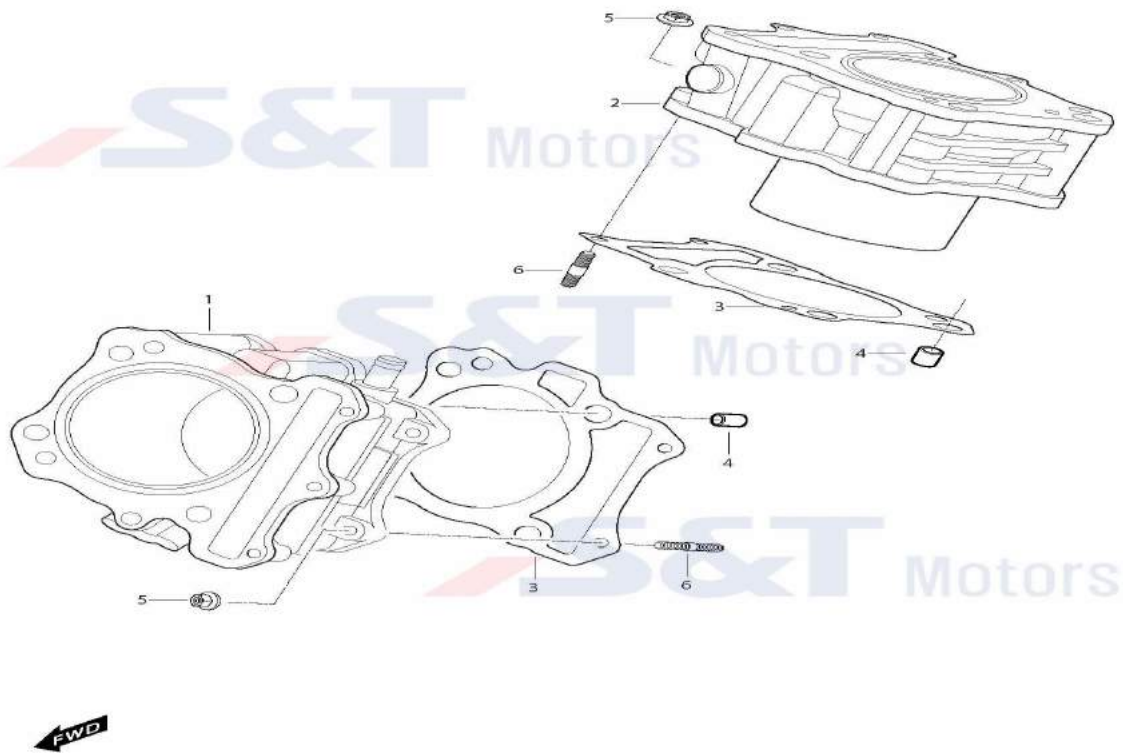
FIG 6



SEQ	PART CODE	PART NAME	U/S	REMARK
1	12200HN9100HPA	CRANK SHAFT ASS'Y (GT650)	1	
2	12161HN9101	ROD,CONNECTING (GT650)	2	
3	09263H37001	BEARING,CRANK PIN (GT650)	2	
4	12211HN9100HPA	PIN COMP,CRANK (GT650)	1	
5	12221HN9102CSA	CRANK SHAFT R (GT650)	1	
6	12261HN9102CSA	CRANK SHAFT L (GT650)	1	
7	09262H35001	BEARING,CRANKSHAFT (GV,GT)	2	
8	02112-06126	SCREW,THROTTLE	1	
9	21111HN9100	GEAR,PRIMARY DRIVE (GT650)	1	
10	21112HN9100	GEAR,PRIMARY DRIVE NO.2(GT650)	1	
11	12281HN9100	RETAINER,CRANK SHAFT OIL(GT650)	1	
12	21114-35C00	SPRING PRIARY DRIVE GEAR(GSX)	3	
13	08211-22422	WASHER,PRIMARY DRIVE GEAR(GT65)	1	
14	09140H18001	NUT,WATER PUMP DRIVE GEAR(GT65)	1	
15	09282-12001	OIL SEAL,CRANK SHAFT RH	1	
16	12111HN9101	PISTON COMP (GT650)	2	
17	12151HN9101	PIN,PISTON (GT650)	2	

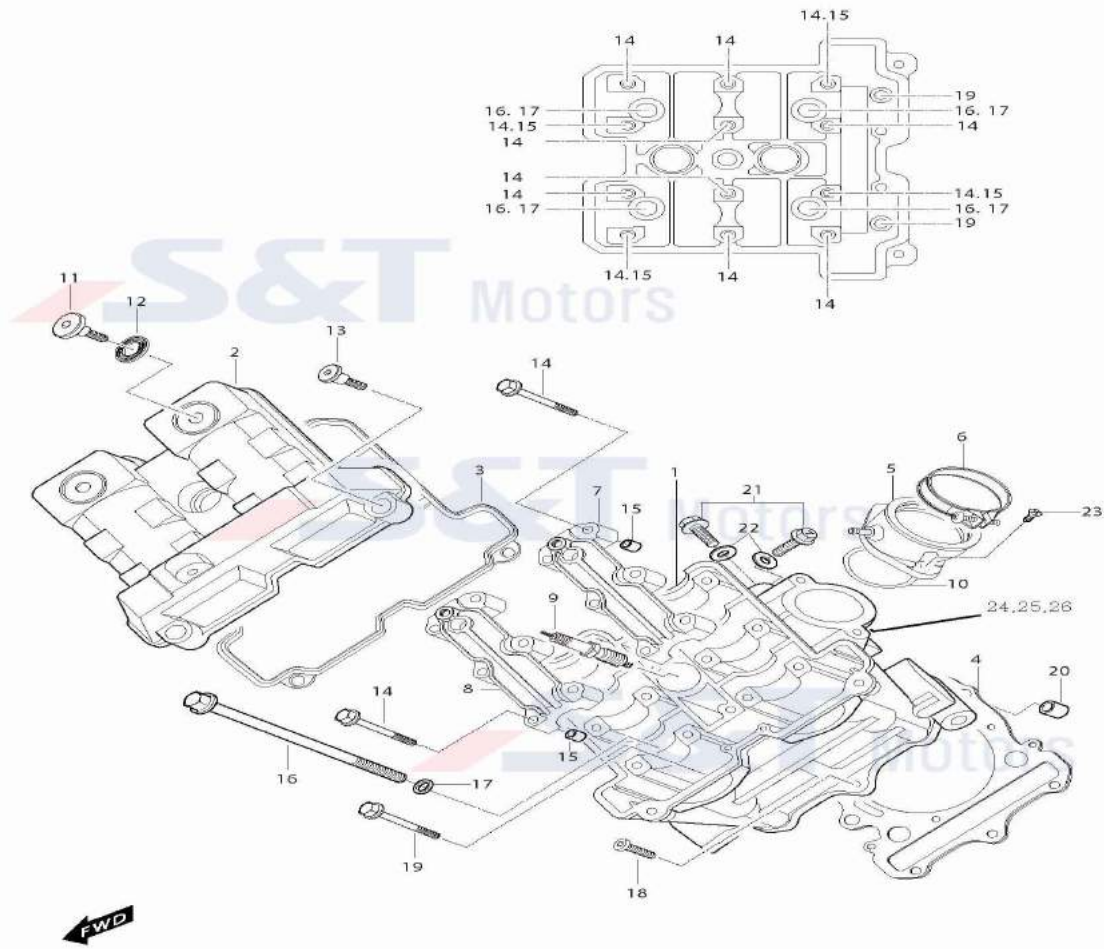
18	09381H20001	CIRCLIP,PISTON PIN (GT650)	4
19	12140HN9100	RING SET (GT650)	2
20	12141HN9100	PISTON RING,1ST (GT650)	2
21	12142HN9100	PISTON RING,2ND (GT650)	2
22	12144HN9100	PISTON RING,OIL (GT650)	2
23	12291HN9100	JET,CRANK SHAFT R (GT650)	1
24	09160H37001	WASHER,CONNROD (GT650)	3
25	17511HN9103	GEAR,WATER PUMP DRIVE (GT650)	1
26	09164H18001	WASHER,WATER PUMP DRIVE(GT650)	1
27	12212HN9100	PLUG,CRANK PIN (GT650)	2

FIG 2



SEQ	PART CODE	PART NAME	U/S	REMARK
1	11210H99D00HPA	CYLINDER ASSY,FRONT	1	
2	11220H99D00121	CYLINDER COMP,REAR (GV700C)	1	=11220H99D00PCY
3	11241HN9101	GASKET,CYLINDER (GT650)	2	
4	04213-13189	PIN,CRANK CASE (GT&GV)	4	
5	08316-16068	NUT (GV650)	4	
6	01421-06258	STUD BOLT CYLINDER (GA)	4	

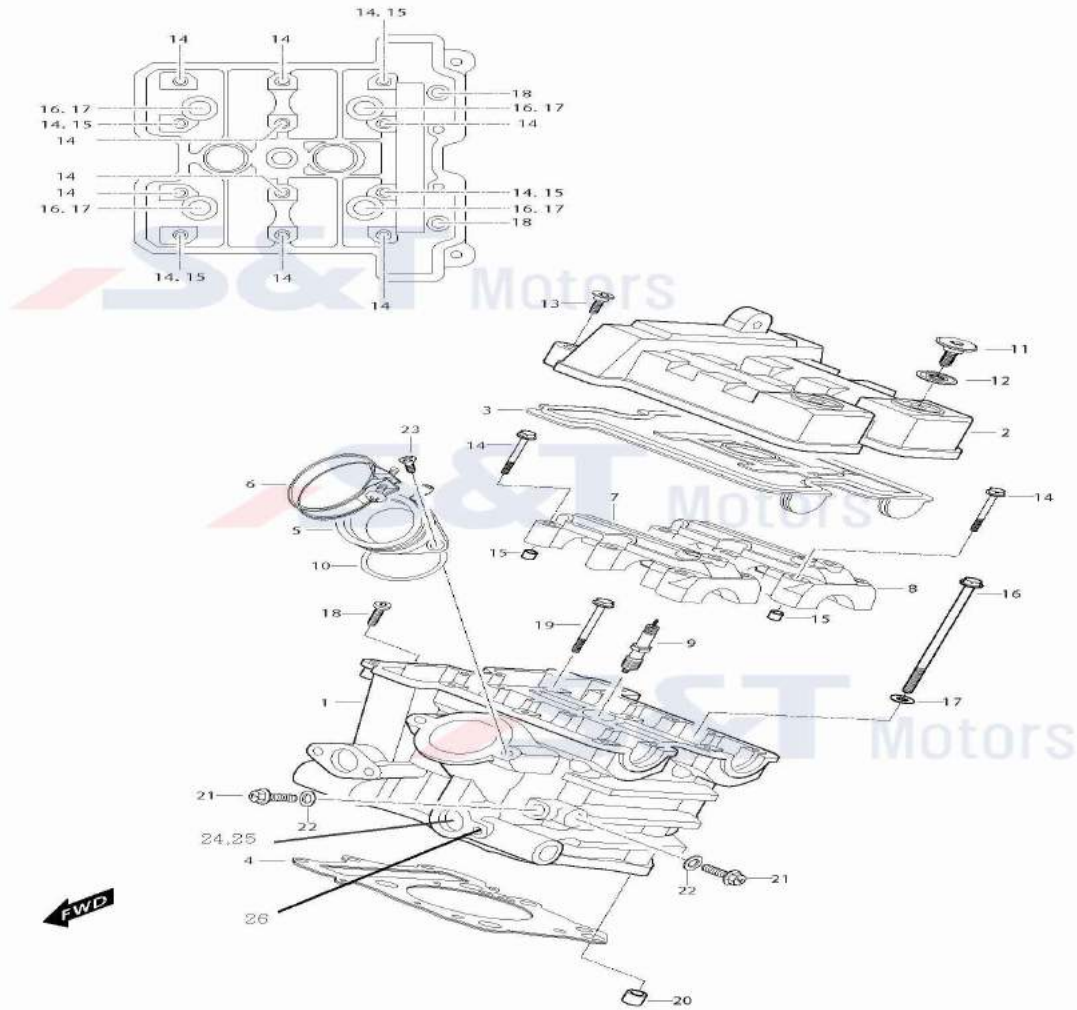
FIG 1-1



SEQ	PART CODE	PART NAME	U/S	REMARK
1	11110SN9110HPA	HEAD,CYLINDER FT□□ (GV650)	1	
2	11171HN9100121	COVER,CYLINDER HEAD FRONT(GT65	1	
3	11173HN9100	GASKET,CYLINDER HEAD COV(GT650	1	
4	11141HN9101	GASKET,CYL HEAD (GT650)	1	
5	13110HP9300	PIPE,INTAKE FRONT (GT650FI)	1	
6	09402-56208	CLAMP,OUTLET TUBE	1	
7	11131HN9100PCH	HOUSING,CAM SHAFT INTAKE(GT650	1	
8	11132HN9100PCH	HOUSING,CAM SHAFT EXHAUST(GT65	1	
9	09482-00456HAS	SPARK PLUG(CR8E)	1	
10	13131HN9100	O-RING,INTAKE PIPE (GT650)	1	
11	09109H07018	BOLT,CYLINDER HEAD COVER (GV)	2	
12	09161H11008	WASHER,CYLINDER HEAD COVER(GD)	2	
13	09106H07017	BOLT,CYLINDER HEAD COVER (GPS)	2	
14	09103H06002	BOLT,CAM SHAFT HOUSING (GT65	12	
15	09206-08001	PIN,MAGNET COVER (GT&GV)	4	
16	09103H10001	BOLT,CYLINDER HEAD (GT650)	4	

17	09160H10002	WASHER,CYL HEAD BOLT (GT650)	4
18	07120-06408	BOLT,GEAR BOX COVER (GPS)	1
19	09103H06001	BOLT,CYL HEAD NO.2 (GT650)	2
20	04213-13189	PIN,CRANK CASE (GT&GV)	4
21	01514-08128	BOLT,OIL LEVER (GV650)	2
22	09168-08008	GASKET LEVEL (GV650)	2
23	02122-06208	SCREW,CRANK OUTER	2
24	09280H19001	O-RING,CONNECTOR HOSE UNION(GT)	1
25	17680HN9101	UNION COMP,CONNECTOR (GT650)	1
26	07110-06108	BOLT,TAIL COVER (GV650)	1

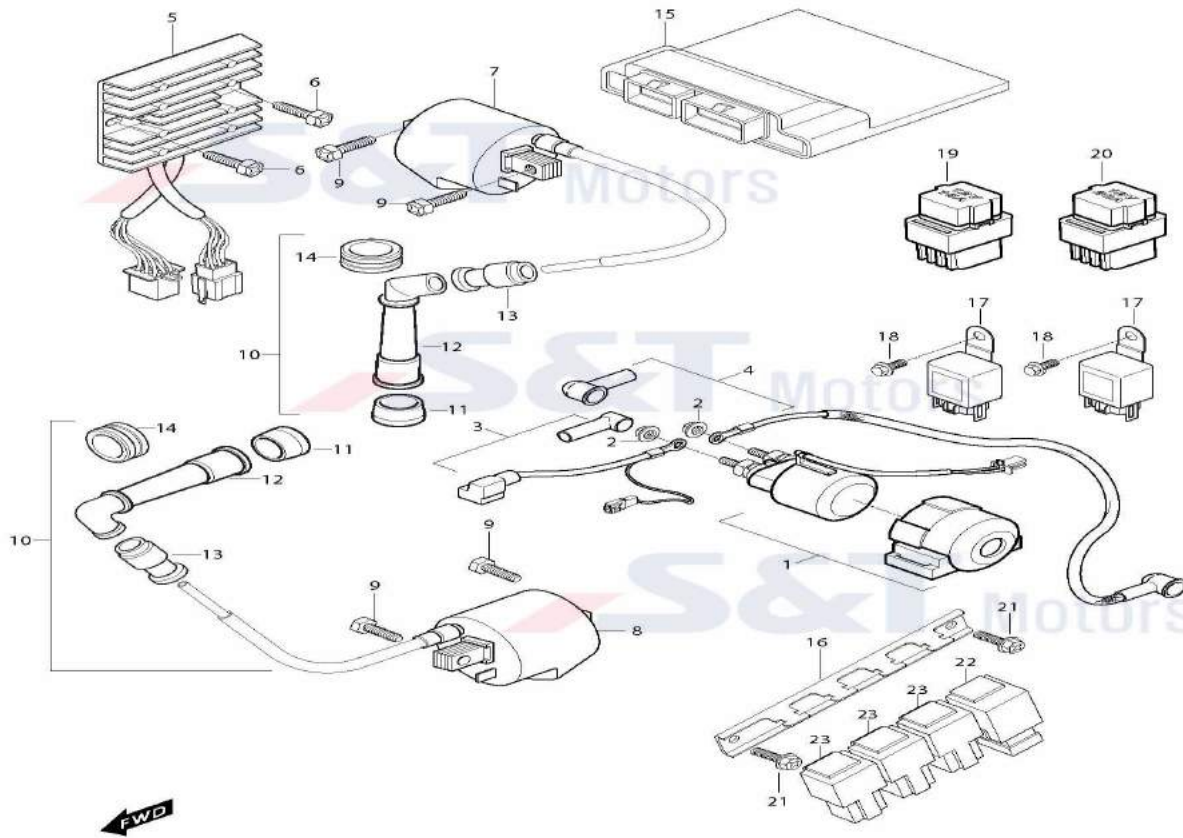
FIG 1-2



SEQ	PART CODE	PART NAME	U/S	REMARK
1	11120SN9110HPA	HEAD COMP,REAR (GT650)	1	BLACK
2	11171HN9100121	COVER,CYLINDER HEAD FRONT(GT65	1	□□
3	11173HN9100	GASKET,CYLINDER HEAD COV(GT650	1	
4	11141HN9101	GASKET,CYL HEAD (GT650)	1	
5	13120HP9300	PIPE,INTAKE REAR (GT650FI	1	
6	09402-56208	CLAMP,OUTLET TUBE	1	
7	11131HN9100PCH	HOUSING,CAM SHAFT INTAKE(GT650	1	
8	11132HN9100PCH	HOUSING,CAM SHAFT EXHAUST(GT65	1	
9	09482-00456HAS	SPARK PLUG(CR8E)	1	
10	13131HN9100	O-RING,INTAKE PIPE (GT650)	1	
11	09109H07018	BOLT,CYLINDER HEAD COVER (GV)	2	
12	09161H11008	WASHER,CYLINDER HEAD COVER(GD)	2	
13	09106H07017	BOLT,CYLINDER HEAD COVER (GPS)	2	
14	09103H06002	BOLT,CAM SHAFT HOUSING (GT65	12	
15	09206-08001	PIN,MAGNET COVER (GT&GV)	4	
16	09103H10001	BOLT,CYLINDER HEAD (GT650)	4	

17	09160H10002	WASHER,CYL HEAD BOLT (GT650)	4
18	07120-06408	BOLT,GEAR BOX COVER (GPS)	1
19	09103H06001	BOLT,CYL HEAD NO.2 (GT650)	2
20	04213-13189	PIN,CRANK CASE (GT&GV)	4
21	01514-08128	BOLT,OIL LEVER (GV650)	2
22	09168-08008	GASKET LEVEL (GV650)	2
23	02122-06208	SCREW,CRANK OUTER	2
24	09280H19001	O-RING,CONNECTOR HOSE UNION(GT)	1
25	17680HN9101	UNION COMP,CONNECTOR (GT650)	1
26	07110-06108	BOLT,TAIL COVER (GV650)	1

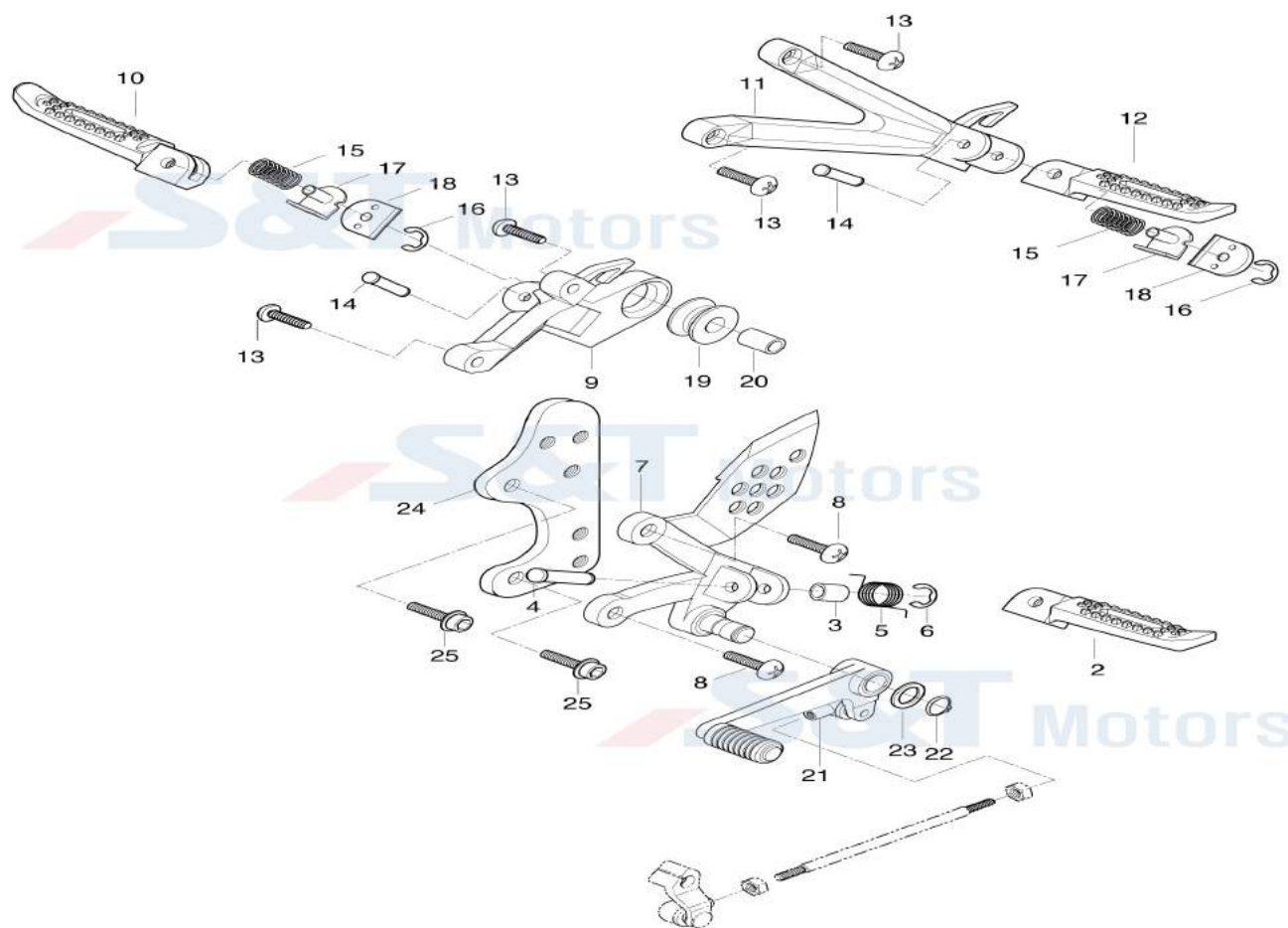
FIG 24



SEQ	PART CODE	PART NAME	U/S	REMARK
1	31800HG5100	RELAY ASSY'STARTING MOTOR (GV)	1	
2	08316-26066	NUT,REAR COMBI LAMP	2	
3	33840HM8101	LEAD WIRE,BATTERY PLUS (GT250)	1	
4	33850H99700	LEAD WIRE,STARTER MOTOR(GT650)	1	
5	32800HN9110	RECTIFIER REGULATOR ASSY(GT650)	1	
5-1	32800HN9120	RECTIFIER REGULATOR ASSY(GT650)	1	Must Replace with 32100HB9202 Magneto Assy
6	01517-06166	BOLT,STEERING LOCK (GV)	2	
7	33410H98A00	COIL ASSY,IGNITION (MS3)	1	
7-1	33415H99D00	CABLE, IGNITION FR & RR (GV700)	2	
8	33410H98A00	COIL ASSY,IGNITION (MS3)	1	
8-1	33415H99D00	CABLE, IGNITION FR & RR (GV700)	1	
9	09128-06035	BOLT,FUEL COCK	4	
10	33500HP9511	CAP ASSY,SPARK PLUG (GV650)	2	
15	32900HB9701	ENGINE CONTROL UNIT (GT650RN)	1	
16	38742HP7600	BRACKET,RELAY (GV650FI)	1	
17	38740HM5401	RELAY ASS'Y (GT650)	2	
18	01517-06166	BOLT,STEERING LOCK (GV)	2	

19	36740-35C00	BOX ASS'Y FUSE(15A) (GSX)	1
20	36740HN9100	BOX ASS'Y,FUSE(30A) (GT650)	1
21	01517-06166	BOLT,STEERING LOCK (GV)	2
22	38610HR9700	RELAY,TURN SIGNAL (GT650FI)	1
23	38740HP7600	RELAY ASS'Y,12V 30A (GV650FI)	3

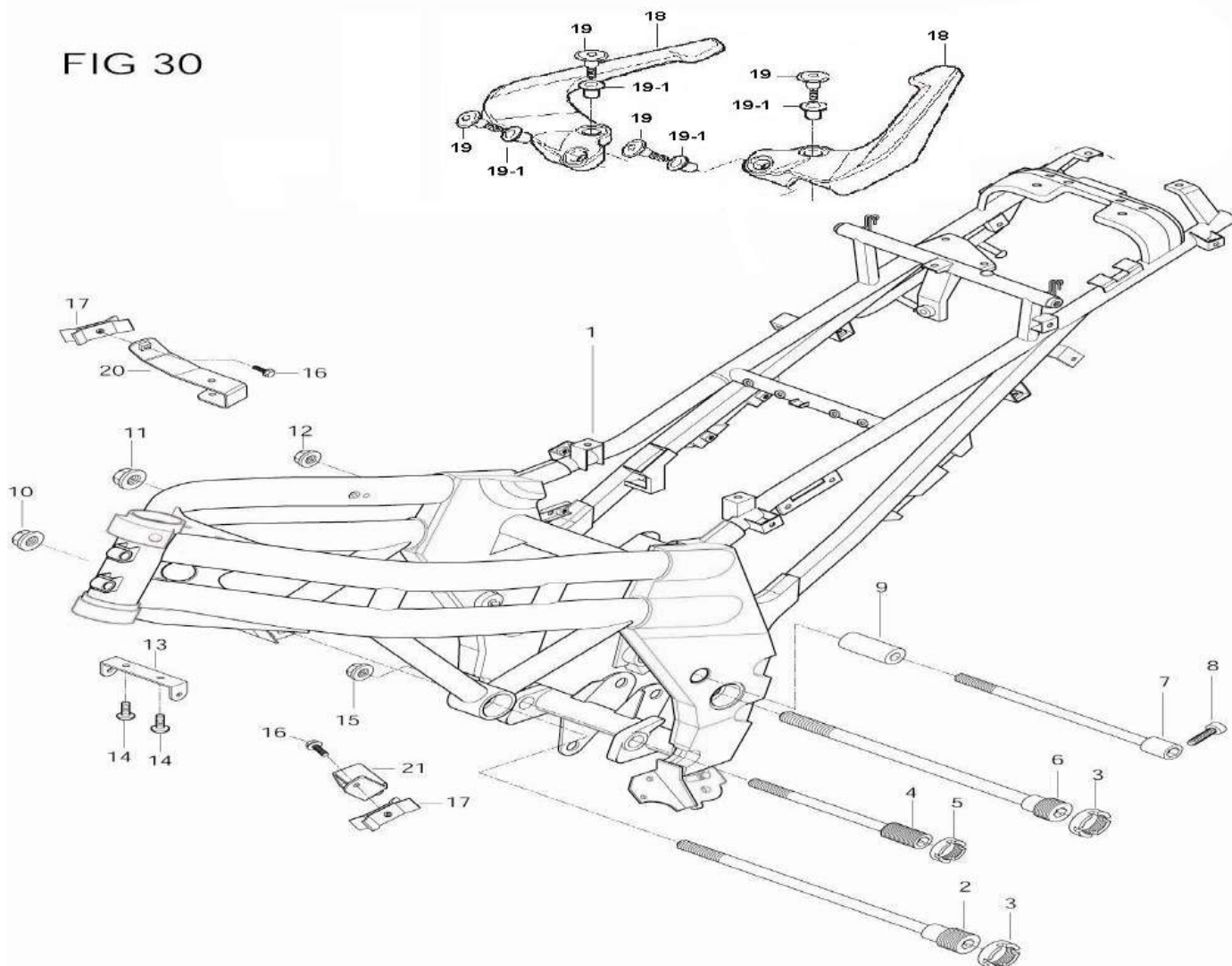
FIG 33



SEQ	PART CODE	PART NAME	U/S	REMARK
2	43571HC9701	FOOTREST,FRONT LH	1	
3	09180H08008	SPACER FRONT FOOTREST	1	
4	43579HM8101	PIN,FRONT FOOTREST (GT250)	1	
5	09448H14007	SPRING FRONT FOOTREST	1	
6	08332-11079	E-RING	1	
7	43540H9970003P	BRACKET,FRONT FOOTREST(GT650RN)	1	
8	07110-08258	BOLT,FRAME JOINT	2	
9	43621H9970003P	BKT,PILLION F/REST R (GT650RN)	1	
10	43661HC9701	FOOTREST BAR, PILLION RH	1	
11	43721H9970003P	BKT,PILLION,F/REST L (GT650RN)	1	
12	43671HC9701	FOOTREST BAR, PILLION LH	1	
13	07110-08258	BOLT,FRAME JOINT	4	
14	43679HM8101	PIN,PILLION FOOTREST (GT250)	2	
15	09448H08008	SPRING,PILLION FOOTREST(GT250)	2	
16	08332-11048	E-RING FRONT FOOTREST (GA)	2	
17	43631HM8101	PLATE,PILLION STOPPER NO1(GT25)	2	
18	43641HM8101	PLATE,PILLION STOPPER NO2(GT25)	2	
19	09320H14015	CUSHION,MUFFLER SUPPORT(GT650)	1	

		SECTION(GT650)	
20	43680HN9150	SPACER (GT650RN)	1
21	25609HP920003P	LEVER,GR SHIFT CAM (GT650S)	1
22	08331-31159	CIRCLIP,KICK IDLE	1
23	09160H15002	WASHER,BRAKE PEDAL (GT250)	1
24	43560HP9201	BKT,FT F/REST BACK STEP L(GT65	1
25	07120-08258	BOLT,GRIP HANDLE (GT250RN)	2

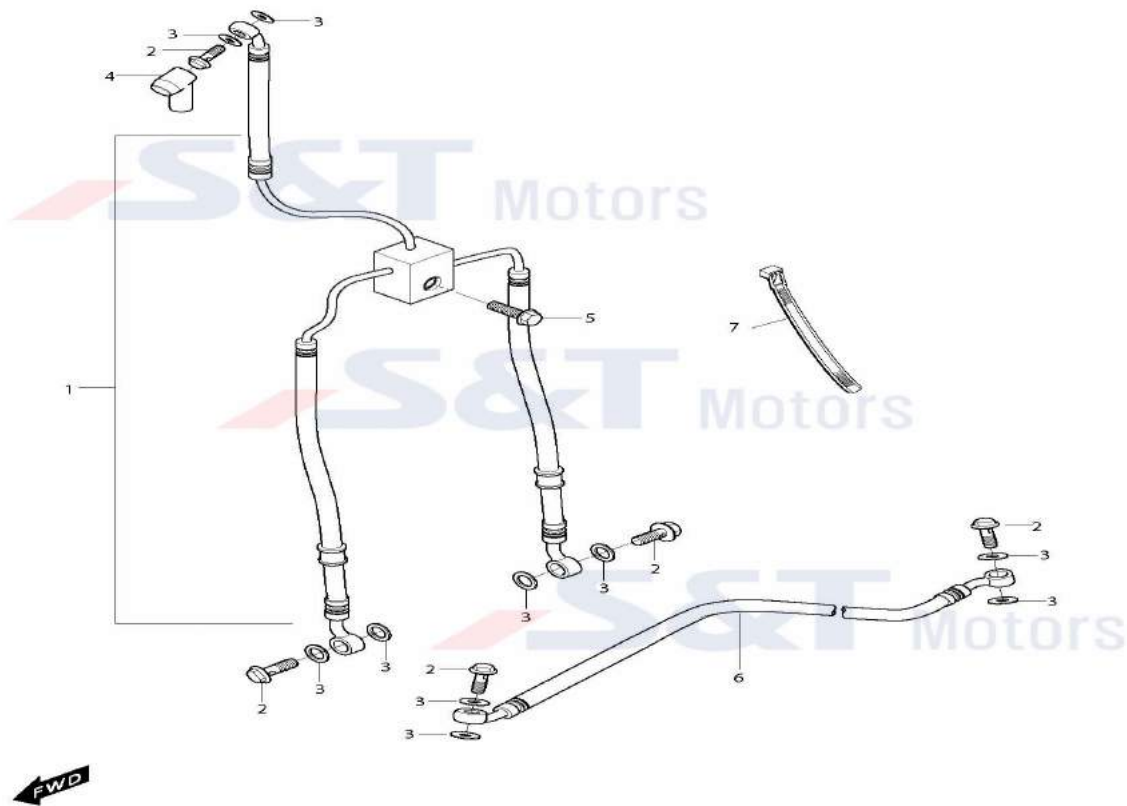
FIG 30



SEQ	PART CODE	PART NAME	U/S	REMARK
1	41100HB9701PAM	FRAME COMP (GT650RN)	1	
2	41165HN9101	SHAFT,E/G MOUNTING LINK(GT650)	1	=41165HN9102
3	09141H26001	LOCK NUT,ENGINE MTG LINK(GT650)	1	
4	41191HN9101	SHAFT ENGINE MTG RR LOW(GT650)	1	=41191HN9102
5	09141H20001	LOCK NUT,ENGINE MTG RR LOW(GT6)	1	
6	61211HN9101	SHAFT,REAR S/ARM PIVOT (GT650)	1	=61211HN9102
7	41181HN9103	SHAFT,E/G MTG REAR UPP (GT650)	1	=41181HN9102
8	07110-08258	BOLT,FRAME JOINT	1	
9	41185HN9100	SPACER,FM & E/G RR UPP (GT650)	1	
10	08319-31128	NUT,SWING ARM PIVOT	1	
11	08319-31108	NUT,FRONT SORBER	1	
12	09159H14008	NUT,REAR AXLE	1	
13	41772HN9101	BRACKET,RADIATOR UPPER (GT650)	1	
14	02142-06126	SCREW UPPER CABLE GUIDE NO1(GV)	1	
15	08319-31108	NUT,FRONT SORBER	2	
16	01517-06128	BOLT,OIL DRAIN	1	

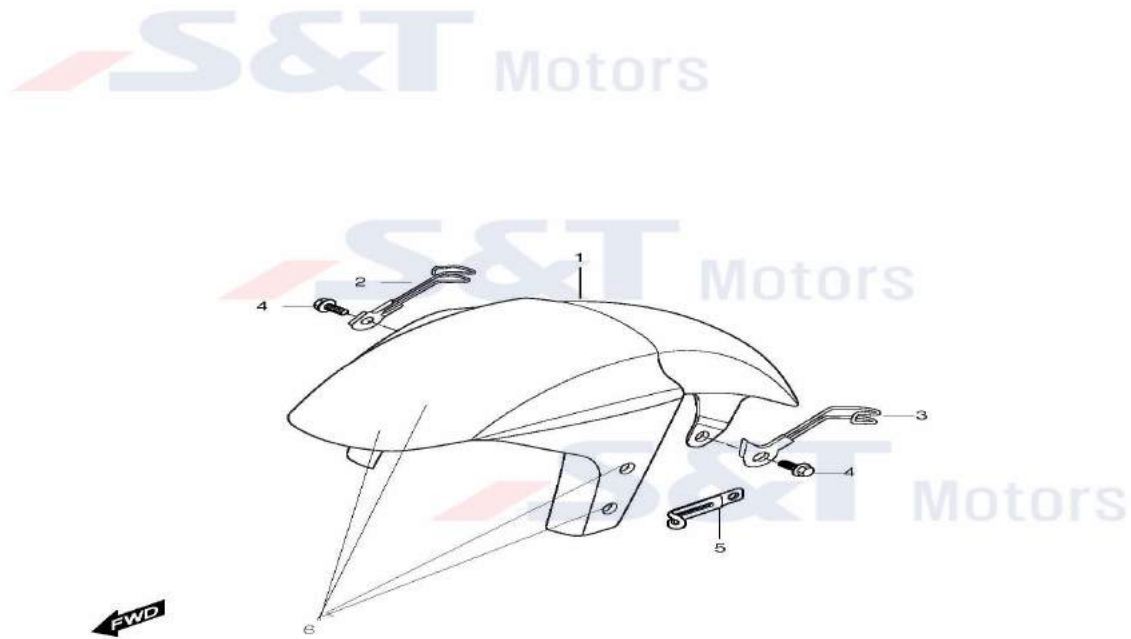
17	94417HP9201	PLATE COMP,FRAME BODY COW NO2	2
18	47511H99700	GRIP,PILLION RIDER R (GT650RN)	2
19	47521H99700	GRIP,PILL RIDER L (GT650RN)	1
20	94478HC9700	BRACKET,FRAME & BODY COWL RH	1
21	94479HC9700	BRACKET,FRAME & BODY COWL LH	1
22	09106H08308	BLT,SPROCKET MTG FLANGE(TE450)	1
23	09169H10003	SPACER,PILLION GRIP (GT650RN)	4

FIG.49 (GT650R FI)



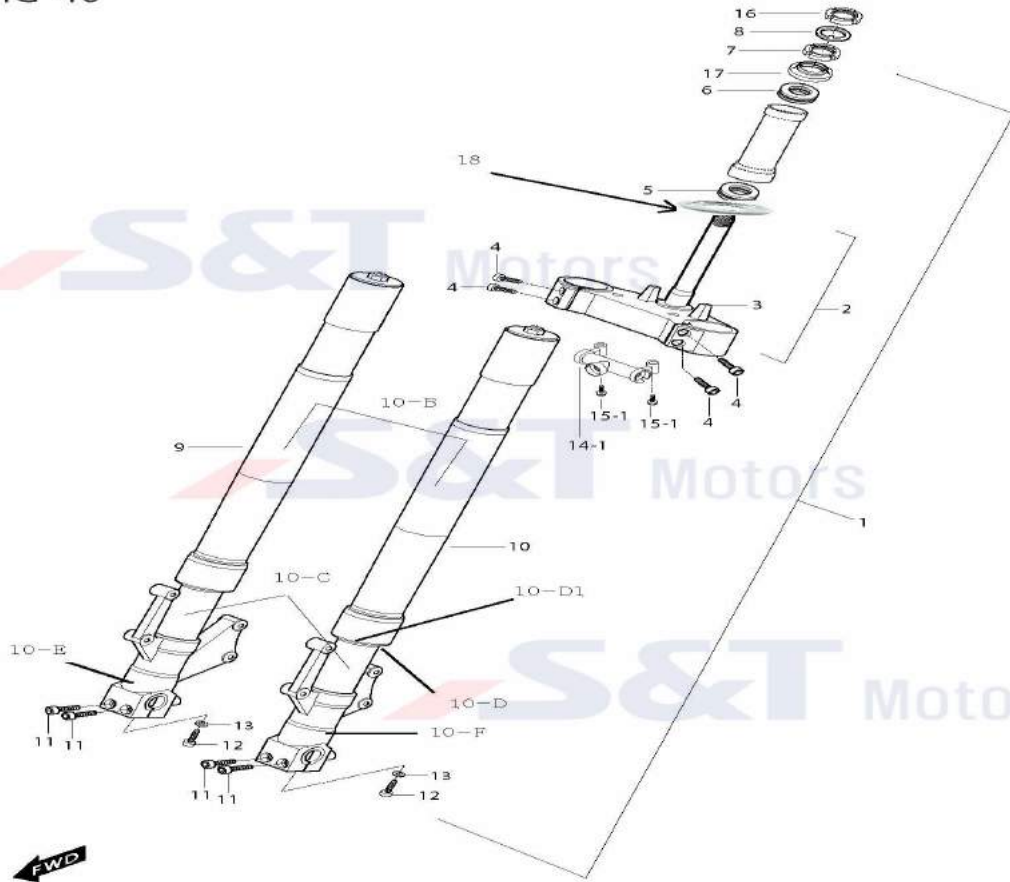
SEQ	PART CODE	PART NAME	U/S	REMARK
1	59480H99700	HOSE COMP,FRONT BRAKE (GT650R)	1	
2	09360-10039	BOLT BRAKE FLUID (AG)	5	
3	09161-10009	WASHER,BRAKE FLUID (FX)	10	
4	59711H49002	BOOT,MASTER CYLINDER (TN,GA,GD)	1	
5	01547-06303	BOLT,ENGINE SPROCKET COV (160)	1	
6	69480HM8105	HOSE COMP,REAR BRAKE (GT650)	1	
6-1	69480HC9700	HOSE COMP,REAR BRAKE (GT650)	1	MY 14 (November, 2013~)
7	09407-20406	CLAMP,WIRING HARNESS (GV250)	3	

FIG 42



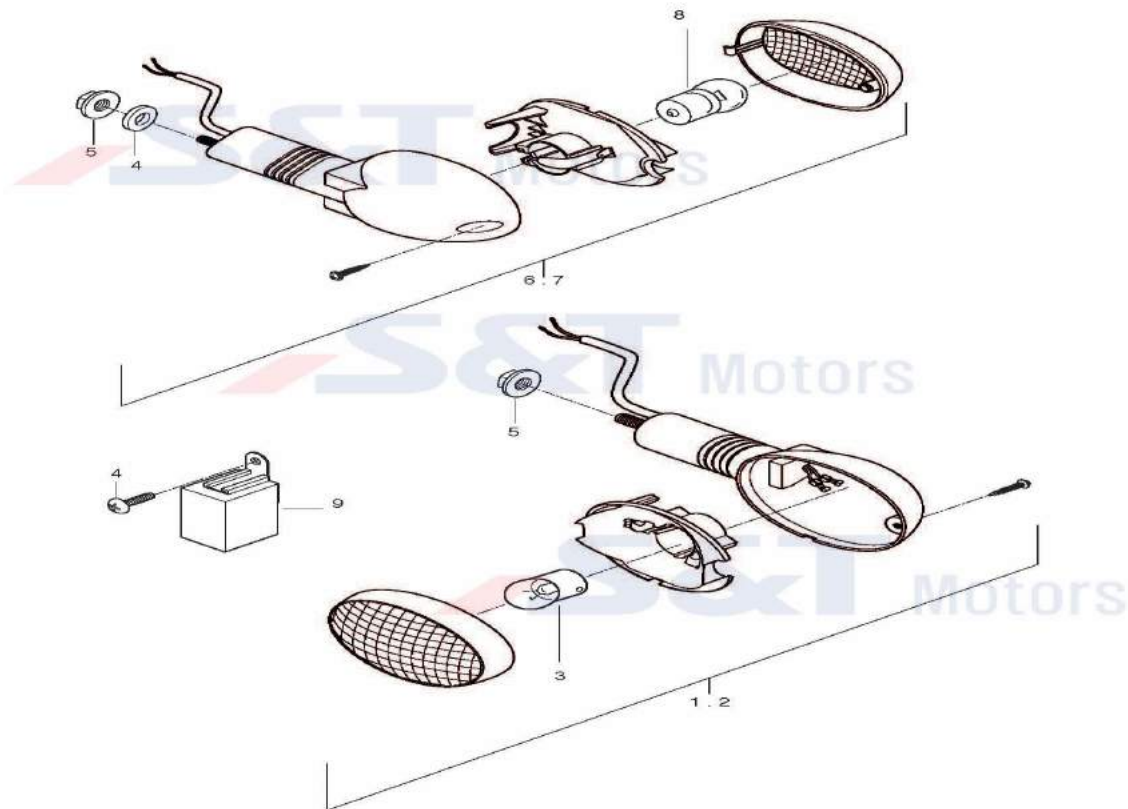
SEQ	PART CODE	PART NAME	U/S	REMARK
1-1	53111HM81010DR	FENDER FRONT (GT250)	1	***3RT, 3WT, 0DR
1-2	53111HM81010BK	FENDER FRONT (GT250)	1	
1-3	53111HM81010WP	FENDER FRONT (GT250N)	1	***0WP
2	59430HN9100	CLAMP COMP,FRONT BRAKE HOSE R	1	
3	59440HN9101	CLAMP COMP,FT BK HOSE L(GT250)	1	
4	01517-08126	BOLT,WHEEL SET (TE50)	2	
5	09404-08403	CLAMP,WIRING HARNESS	1	
6	09169H06078	WASHER,FRONT FENDER (GT650)	4	

FIG 40



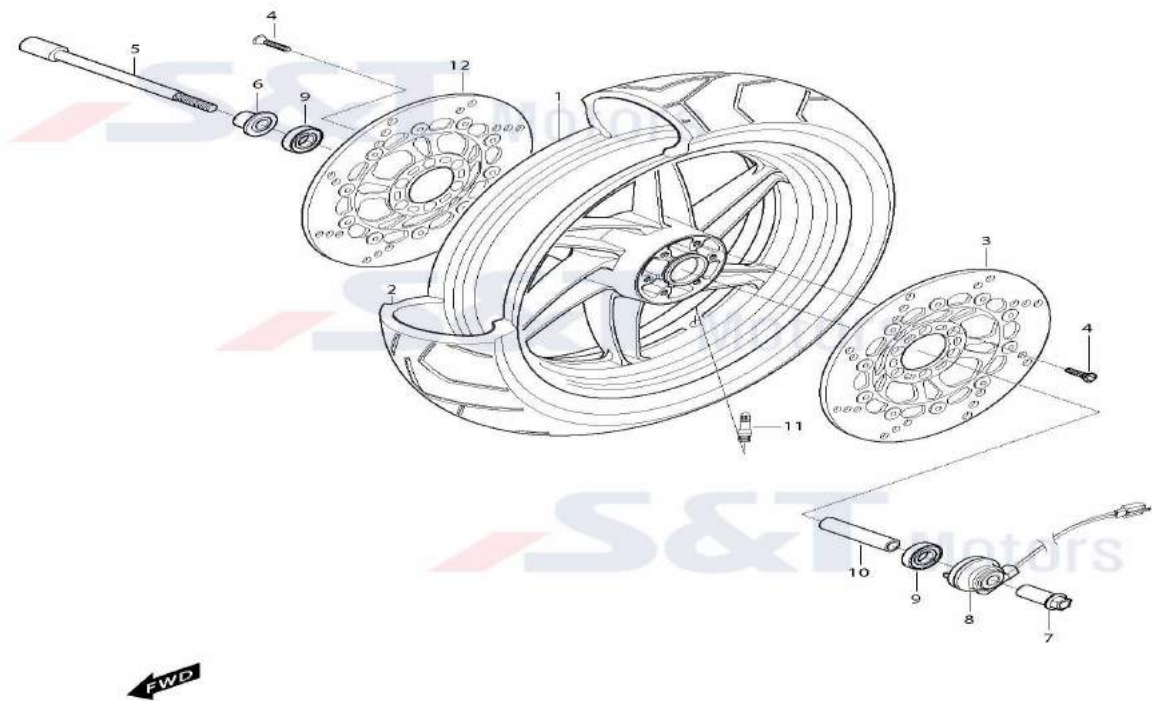
SEQ	PART CODE	PART NAME	U/S	REMARK
2	51410HP9204HPA	BKT COMP,FT FORK UNDER (GT650S)	1	
2-1	37155H99700	COVER,IMMOBILIZER (GT650RN)	1	
3	51412SM8102	STEERING,STEM (GT250)	1	
4	07110-08258	BOLT,FRAME JOINT	4	
5	09265H25001	BEARING,STEERING UPPER (RX)	1	
6	09265H28001	BEARING,STEERING LOWER (RX)	1	
7	51631-28000	NUT,STEERING	1	
8	09166H25001	WASHER,STEERING STEM (GT650)	1	
9	51210H99702120	DAMPER,FRONT FORK R (GT650RC)	1	RC MODEL :KM4MP62D6D1500001~, P MODEL:KM4MP61A2D1501119~ =51210H99700120
10	51220H99702120	DAMPER ASSY,FT FORK L(GT650RC)	1	RC MODEL :KM4MP62D6D1500001~, P MODEL:KM4MP61A2D1501119~ =51220H99700120
11	07120-08508	BOLT,CRANKCASE M8 (TE450)	4	
12	07110-08256	BOLT,FRONT FENDER (GV)	2	
13	90544H93B00	WASHER,SOCKET (GAF)	2	
14	51511HN9101	JOINT,FRONT BRAKE HOSE (GT650S)	1	
15	01517-06358	BOLT,RR BRAKE CAM	2	
16	51631HN9101	NUT,STEERING STEM UPPER(GT250)	1	2012.11.29~

FIG.27



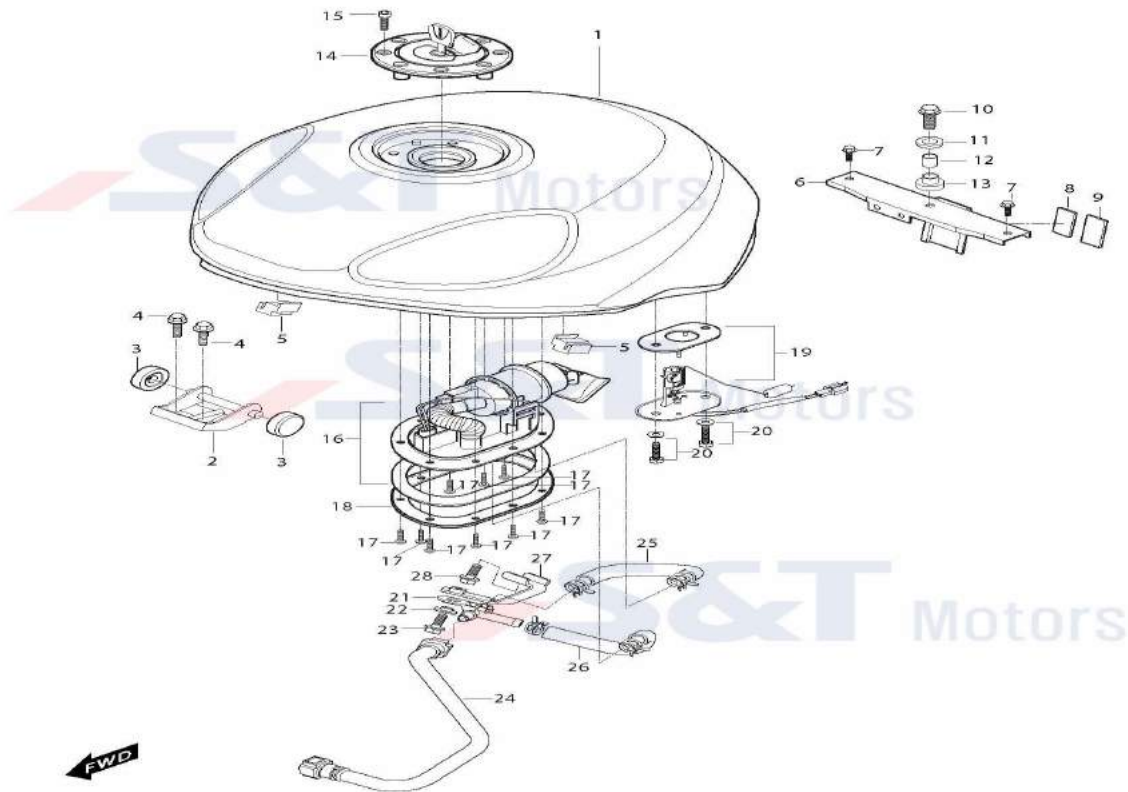
SEQ	PART CODE	PART NAME	U/S	REMARK
1	35601HR7900	LAMP ASSY,FT T/SIGNAL R(RX125)	1	
2	35602HR7900	LAMP ASSY,FT T/SIGNAL L(RX125)	1	
3	09471H12112	BULB(12V G18:RY10W) (GV650)	2	
4	09160-06019	WASHER	1	
5	08316-26066	NUT,REAR COMBI LAMP	4	
6	35603H99700	LAMP,REAR TURNSIGNAL R(GT650N)	1	
7	35604H99700	LAMP,REAR TURNSIGNAL L(GT650N)	1	
8	09471H12112	BULB(12V G18:RY10W) (GV650)	2	
9	38610HR9700	RELAY,TURN SIGNAL (GT650FI)	1	

FIG 43



SEQ	PART CODE	PART NAME	U/S	REMARK
1	54141HN9102120	WHEEL COMP,FRONT (GT650)	1	=54141HN9101120
2	55100HN9101	TIRE COMP,FRONT (GT650)	1	
3	59211HM8101	DISK COMP,FRONT LH (GT250)	1	
4	59421-03A01	BOLT,FRONT BRAKE DISK (SBS)	12	
5	54711HG5101	AXLE,FRONT (GV)	1	
6	54740HM8101	SPACER COMP,FRONT AXLE R(GT250)	1	
7	54721HM8100	NUT,FRONT AXLE (GT250)	1	
8	34860HP9201	SENSOR,SPEEDOMETER (GT650R)	1	
9	08124-63027	BEARING FRONT HUB R/L (GV)	2	
9-1	54690HM8101	COVER,SPEEDOMETER (GT250)	1	
10	54731HM8100	SPACER (GT250)	1	
11	55220-29C20	VALVE ASS'Y	1	
12	59221HM8161	DISK COMP,FRONT RH (GT250)	1	

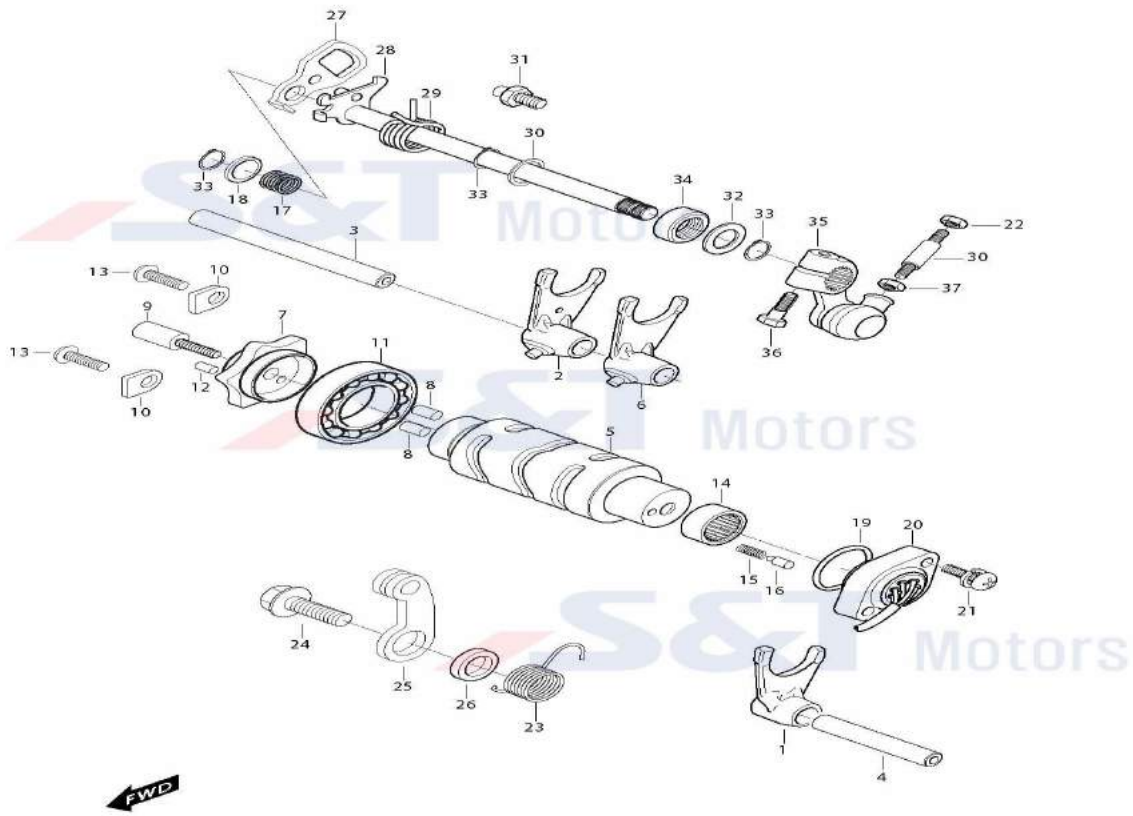
FIG 34



SEQ	PART CODE	PART NAME	U/S	REMARK
1-1	44110HP9300CBK	FUEL TANK COMP (GT650FI)	1	***SBK, 3BT
1-1-1	68124HB810003P	TAPE, FUEL TANK RH	1	***3BT, 3RT
1-1-2	68126HB810003P	TAPE, FUEL TANK LH	1	***3BT, 3RT
1-2	44110HP9300CDR	FUEL TANK COMP (GT650FI)	1	***0DR, 3RT
1-3	44110HP9300CWP	FUEL TANK COMP (GT250RN)	1	***0WP, 3WT
1-3-1	68124HB8100A02	TAPE, FUEL TANK RH	1	***3WT
1-3-2	68126HB8100A02	TAPE, FUEL TANK LH	1	***3WT
2	44520HM8100	BRACKET COMP,FUEL TANK FT(GT25	1	
3	09329-10007	CUSHION	2	
4	01517-06166	BOLT,STEERING LOCK (GV)	2	
5	09329H28001	CUSH,FUEL TANK SIDE (GT250)	2	
6	44530H99700	BRACKET,FUEL TANK REAR(GT650RN	1	
7	01517-06166	BOLT,STEERING LOCK (GV)	2	
8	44613HE7100	CUSHION,OIL TANK NO.2 (EZ)	1	
9	44218HF4500	CUSHION BATTERY REAR (GPS)	1	
10	09116H08078	BOLT FUEL TANK REAR (GA)	1	
11	09320H14013	CUSHION F/TANK REAR UPPER (GA)	1	

12	09180H08007	SPACER FUEL TANK REAR (GA)	1
13	09320H10020	CUSHION FUEL TANK RR LOW (GA	1
14	44200H35C30	CAP,FUEL TANK FILL (GT125)	1
15	09106-05017	BOLT F/TANK FILLER CAP (GT250R	4
16	15100H99D00	PUMP ASSY,FUEL MODULE (ST7)	1
17	09125H04016	SCREW,F/PUMP MODULE (GV650FI)	10
18	15115HP9300	PLATE,FUEL PUMP MODULE(GT650FI	1
19	34810HP9301SVC	FUEL SENDER GAUGE ASSY GT250	1
20	09128-06035	BOLT,FUEL COCK	2
20-1	09168-06010	GASKET FUEL LEVEL GAUGE (GA)	2
21	15911HP9300	JOINT,FUEL HOSE (GT650RFI)	1
22	09169H06078	WASHER,FRONT FENDER (GT650)	1
23	01517-06125	BOLT,COVER CYLINDER HEAD	1
24	15810H99700	HOSE,FUEL INJECTOR (GT650N)	1
25	15813HP9300	HOSE,REGULATOR&JOINT(GT650RF I)	1
26	15812HP9300	HOSE,FUEL PUMP&JOINT (GT650RFI	1
27	44410HP9300	BRACKET,JOINT LOWER (GT650RFI	1
28	01517-06125	BOLT,COVER CYLINDER HEAD	1

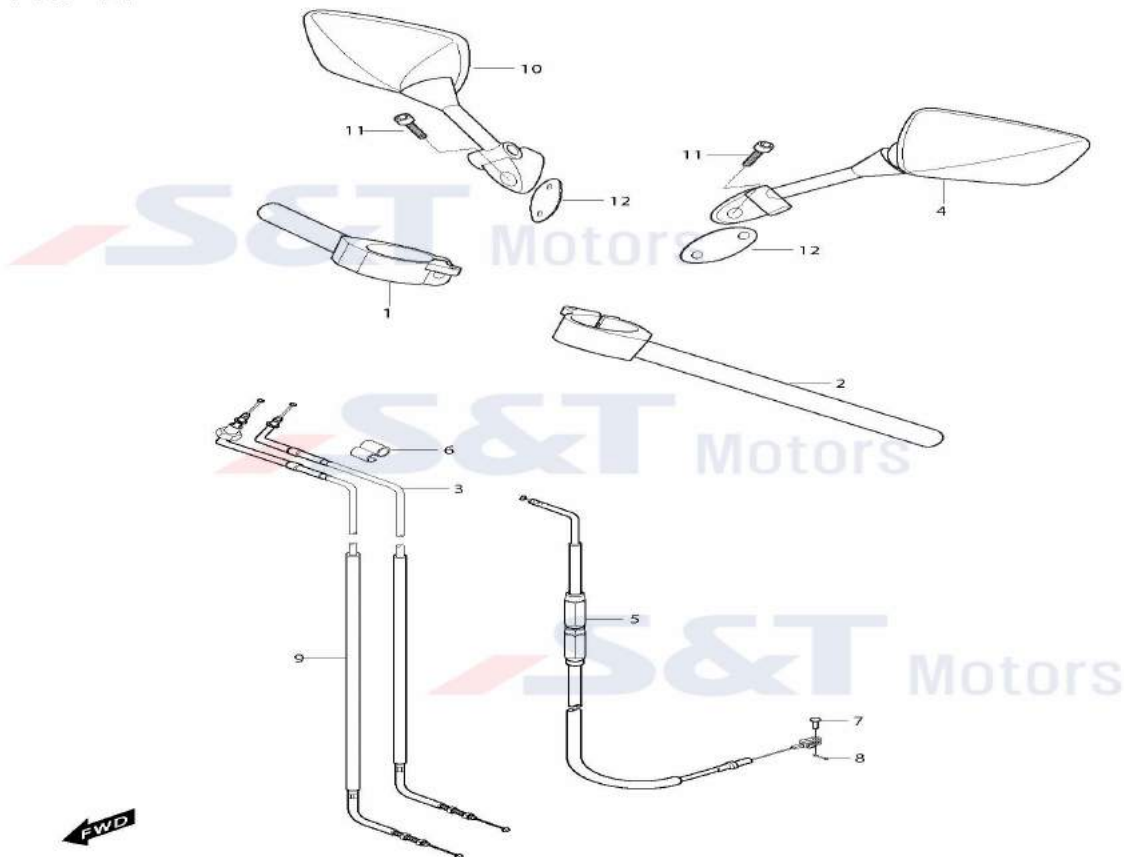
FIG 20



SEQ	PART CODE	PART NAME	U/S	REMARK
1	25231HN9100	FORK,GEAR SHIFT NO.3 (GT650)	1	
2	25211HN9100	FORK,GEAR SHIFT NO.1 (GT650)	1	
3	25411HN9100	SHAFT,GR SHIFT FORK NO.1(GT650)	1	
4	25421HN9100	SHAFT,GEAR SHIFT FORK NO2(GT650)	1	
5	25310HN9102	CAM COMP,GEAR SHIFT (GT650)	1	
6	25221HN9100	FORK,GEAR SHIFT NO.2 (GT650)	1	
7	25380HN9105	PLATE COMP,GEAR SHIFT CAM(GT650)	1	
8	04221-04089	PIN GEAR SHIFT CAM (X,FB)	2	
9	25321HN9100	BOLT,GEAR SHIFT CAM PLT(GT650)	1	
10	24741HN9100	RETAINER,COUNTER SHAFT BG(GT650)	2	
11	09262H25002	BEAR'G,GR SHIFT CAM (GT650)	2	
12	09261-04002	PIN,GEAR SHIFT CAM 1	6	
13	02122-06128	SCREW,OL GR SH	2	
14	09263H25001	BEARING,GEAR SHIFT CAM R(GT650)	1	
15	09440-04010	SPRING,GEAR SWITCH	1	
16	09209-05011	CONTACT,GEAR S SWITCH	1	
17	09440H17001	SPRING,GEAR SHIFT CAM DRV(GT650)	1	

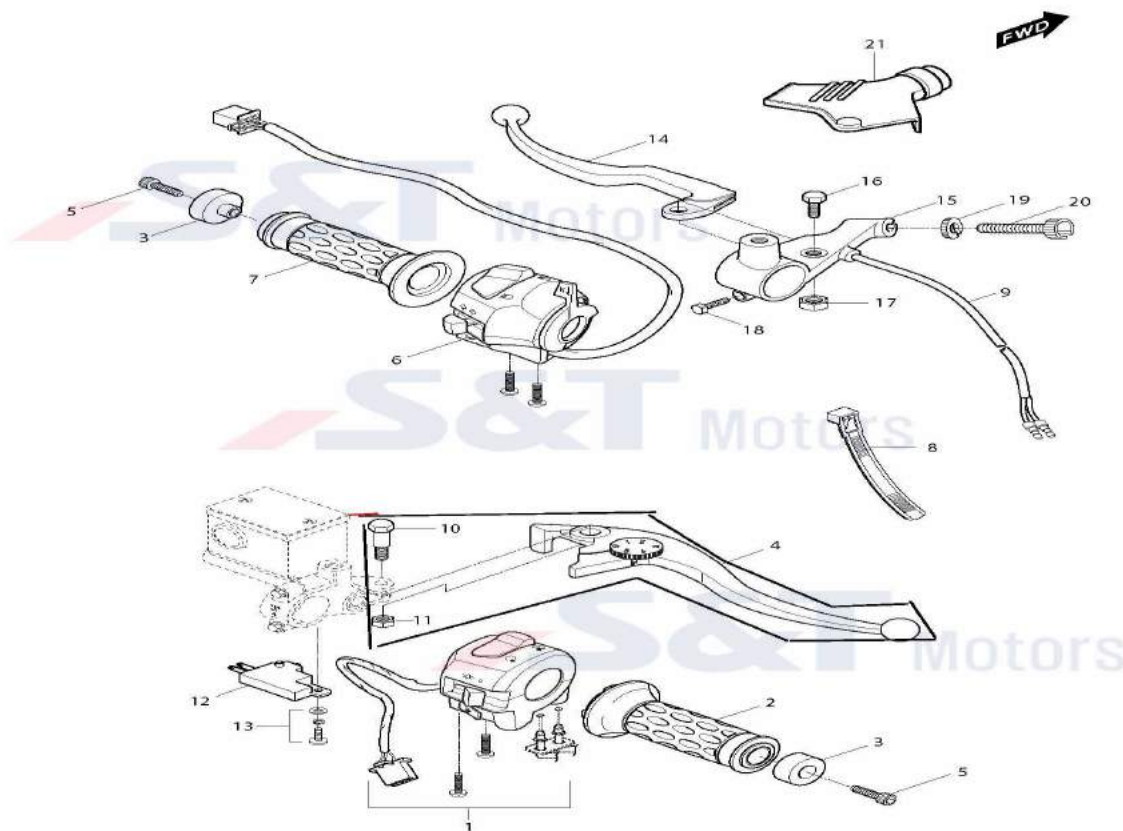
18	09181H14001	SHIM,GEAR SHIFT SHAFT (GT650)	2
19	09280-26003	O/RING,GEAR SHIFT SWITCH	1
20	37720HR8601	SENSOR ASSY,GR POSITION(GT650)	1
21	02112-95208	SCREW	2
22	09140-06011	NUT,GR SHIFT LINK LH	2
23	09448H17002	SPRING,GEAR SHIFT CAM STOPPER	1
24	09111-06019	BOLT,GEAR SHIFT CAM STOP	1
25	25350HN9100	STOPPER,GEAR SHIFT CAM (GT650)	1
26	08211-06121	WASHER,SHIFT CAM	1
27	25521HN9100	PLATE,GEAR SHIFT CAM (GT650)	1
28	25510HN9101	SHAFT COMP,GEAR SHIFT (GT650)	1
29	09444H20011	SPRING,GEAR SHIFT SHAFT(TE450)	1
30	25525HP9200	ROD,GR SHIFT LINK(L=240)(GT650)	1 240mm
31	25671-01000	STOPPER,GR SHIFT	1
32	09160H14003	WASH,GR SHIFT SHAFT (GT650)	1
33	08331-31149	CIRCLIP,KICK SHAFT	3
34	09283H14002	SEAL,GEAR SHIFT CAM DRV (GT650)	1
35	25520-32C00	ARM COMP,G/SHIFT LINK (GD)	1
36	01107-06208	BOLT,GEAR SHIFT	1
37	08310-11068	NUT	1

FIG 44



SEQ	PART CODE	PART NAME	U/S	REMARK
1	56110HP9203	HANDLE BAR COMP RH (GT650S)	1	
2	56120HP9204	HANDLE BAR COMP,L (GT650S)	1	
3	58300HR9701	CABLE,THROTTLE (GT650RN)	1	
4	56600HP9200	MIRROR REAR VIEW L (GT650S)	1	
5	58200H99701	CABLE ASS'Y,CLUTCH (GT650RC)	1	
6	09408-00002	CLIP,CABLE	1	
7	09200-06004	PIN,CLUTCH	1	
8	04111-20158	COTTER PIN	1	
9	58600HR9701	CABLE,THROTTLE RETURN(GT650FI)	1	
10	56500HP9200	MIRROR REAR VIEW R (GT650S)	1	
11	07110-06205	BOLT,MIRROR ASS'Y (GV650)	4	
12	56503HP9200	CUSHION,REAR VIEW MIRROR(GT650)	2	
12-1	56501HP9200	MIRROR SET (GT650S,R)	1	

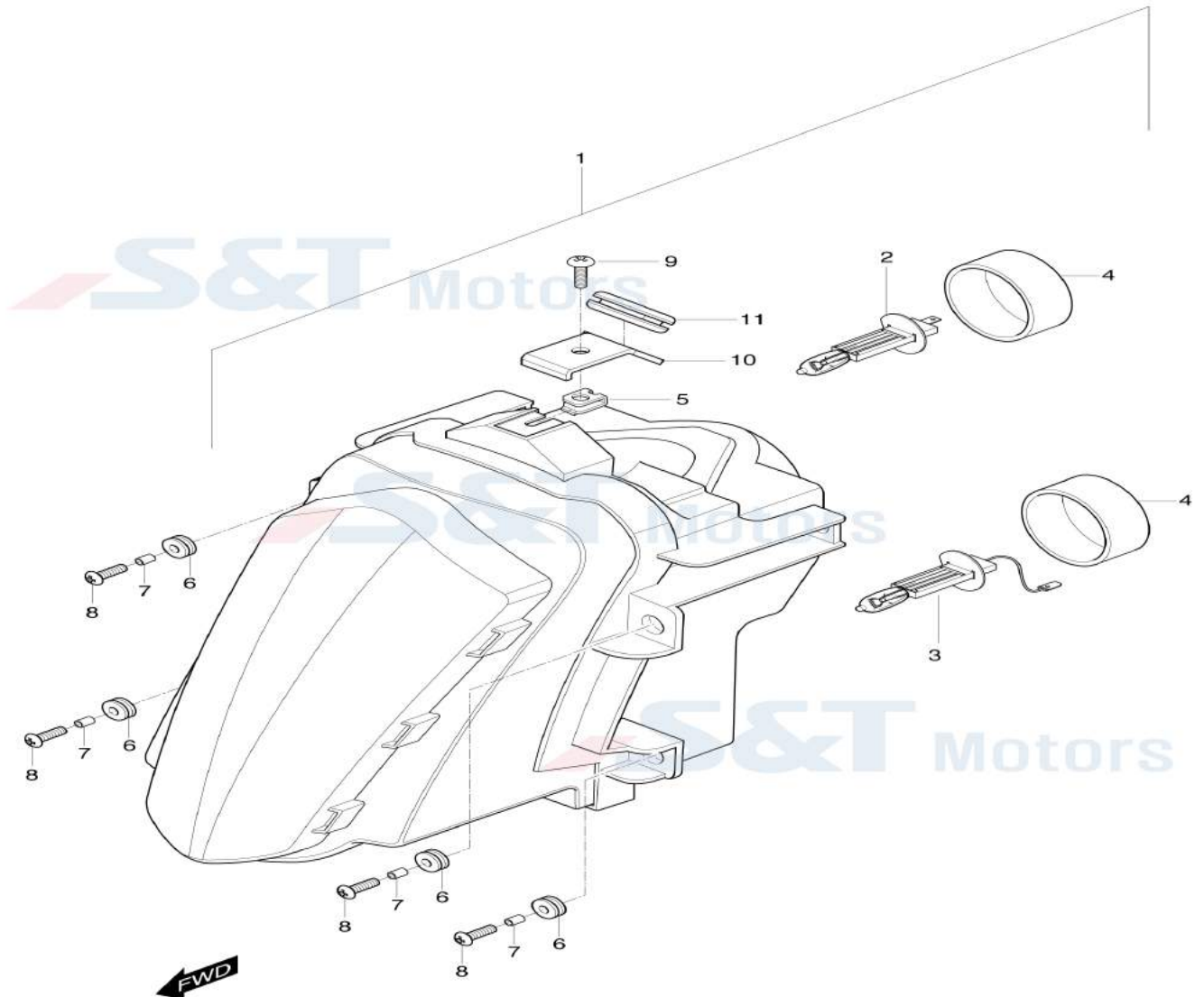
FIG 45



SEQ	PART CODE	PART NAME	U/S	REMARK
1	37200HP9200	SWITCH ASS'Y,HANDLE R (GT650S)	1	
2	57110HP9300	GRIP COMP,THROTTLE (GT650RFI)	1	
3	56271HF4501PLA	BALANCER HANDLE BAR (GPS)	2	
4	57300HN9103	LEVER ASSY,FRONT BRAKE (GT650)	1	
5	07110-08208	BOLT,ENGINE MOUNT FRONT (GA)	2	
6	37400HR9700	SWITCH ASS'Y,HANDLE L (GT650FI)	1	
7	57211HG5800CHA	GRIP L	1	
8	09407-14403	CLAMP,STRNINER(125MM) (EZ)	2	
9	57460HJ8250	SWITCH,ASS'Y,CLUTCH (GV250)	1	
10	57431HN9101	BOLT,BRAKE LEVER PIVOT (GT650)	1	
11	08319-21068	NUT,BRAKE LEVER	1	
12	57460-17C00	SWITCH ASS'Y STOP (AG,SB)	1	
13	02112-74108	SCREW	1	
14	57500HN9102	LEVER ASS'Y,CLUTCH (GT650)	1	
15	57511HN9101	HOLDER,LEVER(BLACK) (GT650)	1	
16	57531HN9100	BOLT,CLUTCH LEVER PIVOT(GT650)	1	
17	08319-21068	NUT,BRAKE LEVER	1	
18	57451H93B00	CROWN BOLT (GA)	1	

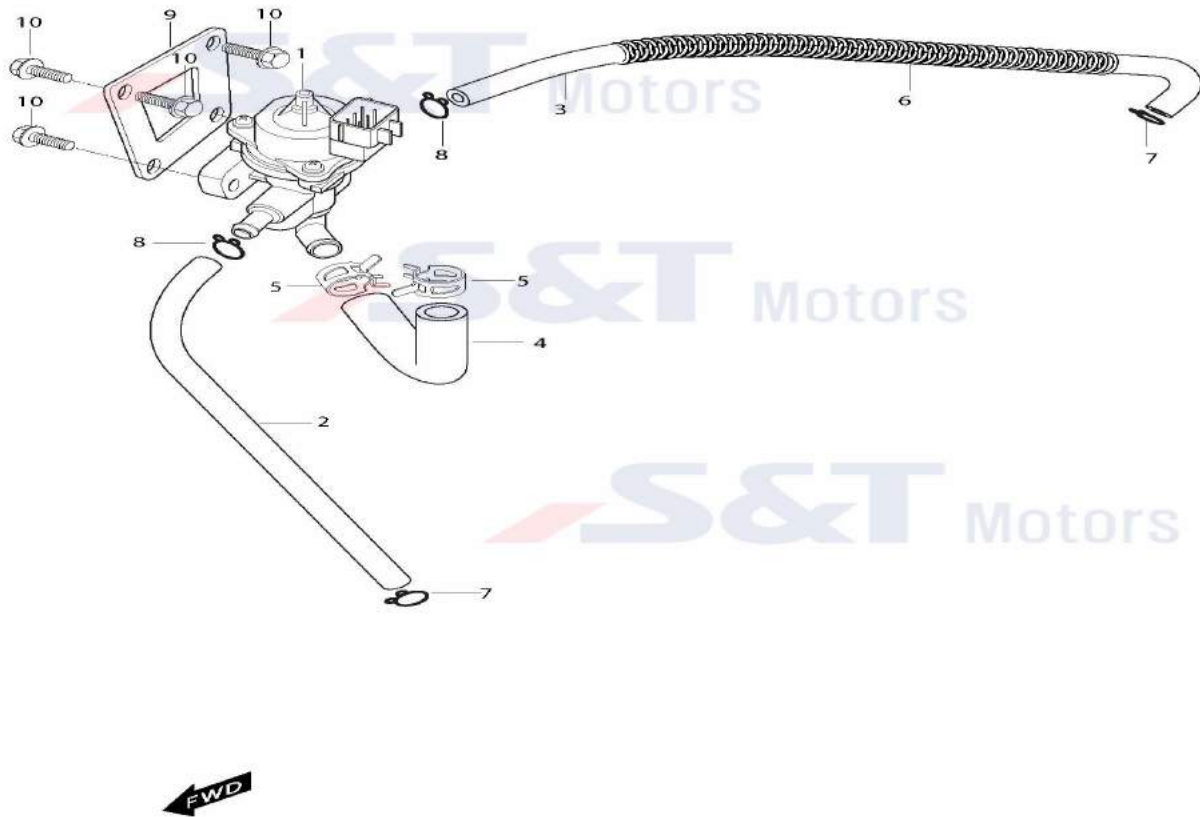
19	57442H93B00	LOCK NUT	1
20	57441H93B00	WIRE ADJUSTER (GA)	1
21	57661HN9100	COVER,REAR BRAKE LEVER (SF50R	1

FIG.26(GT650RC)



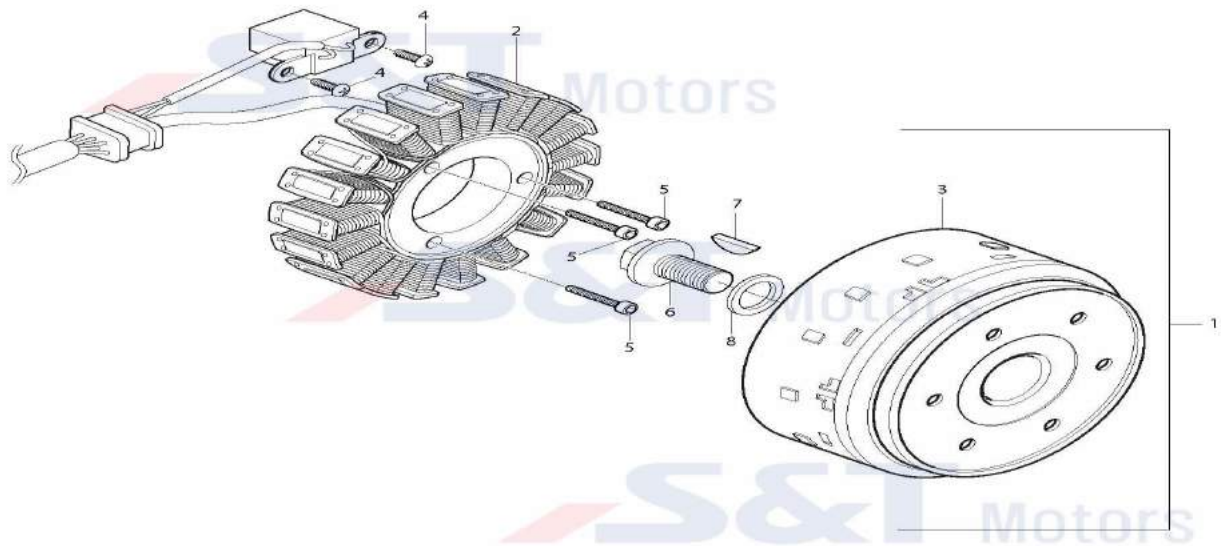
SEQ	PART CODE	PART NAME	U/S	REMARK
1	35100HC9701	HEAD LAMP ASS'Y (GT650RC)	1	09.2013~ =35100HC9700
2	09471H12250	BULB,HEAD LAMP(12V H1:55W)	1	
3	09471H12230	BULB,HEAD LAMP(12V H3:55W)	1	
4	35173HP9200	DUST COVER,HEAD LAMP (GT650)	2	
5	09148-05039	NUT HEADLAMP COWLING (GSX)	3	
6	09320-09016	CUSHION,TOOL HOLDER	4	
7	09180-06011	SPACER,BATT HOLE	4	
8	09136-06113	SCREW BODY COWL'G FIT'G (GD)	4	
9	02112-95158	SCREW,HEAD LAMP	1	
10	35195HC9700	BRKT, HEADLAMP ASS'Y & PANEL	1	
11	09320H06002	CUSHION (GV)	1	

FIG 11



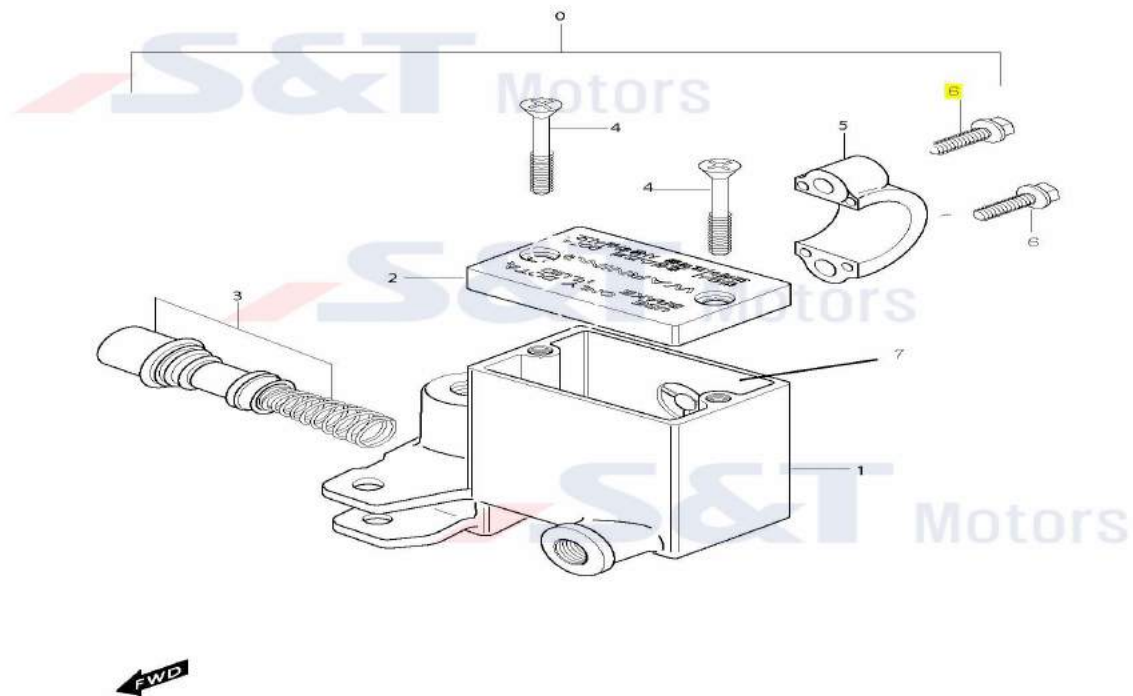
SEQ	PART CODE	PART NAME	U/S	REMARK
1	37940HR8411	SOLENOID ISC (GV250)	1	
1-1	37941HR8410	VALVE ISC (GV250)	1	
3	18731H89301	HOSE,ISC NO.1 (GT650RN)	1 =18731H89300	
4	18751H89301	HOSE,ISC AIR CLEANER (GT650RN)	1 =18751H89300	
5	09401H16401	CLAMP,2ND AIR VALVE HOSE (SF50	2	
6	09440-13019	SPRING,O/HOSE (SB-EG01)	1	
7	09401-10401	CLIP,FUEL HOSE	2	
8	09401H11401	CLIP,INLET HOSE	2	
9	13791HP9300	BRACKET,ISC (GT650FI)	1	
10	01517-06128	BOLT,OIL DRAIN	4	

FIG 22



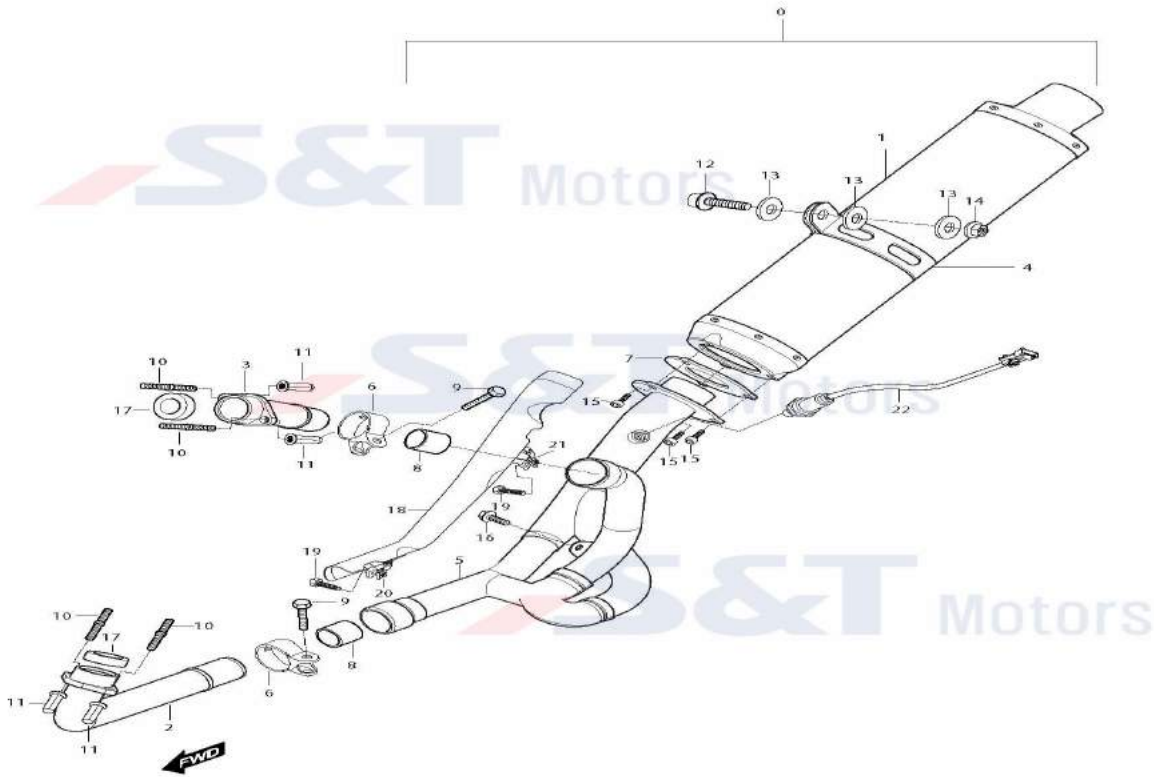
SEQ	PART CODE	PART NAME	U/S	REMARK
1	32100HB9200	MAGNETO ASS'Y (GT650RN)	1	
1-1	32100HB9201	MAGNETO ASS'Y (GT650)	1	June. 2013~
1-2	32100HB9202	MAGNETO ASS'Y (GD250N)	1	Must Replace with 32800HN9120 RECTIFIER REGULATOR ASSY
4	02142-05128	SCREW,BATTERY COVER	2	NOT SALE
5	09106H06006	BOLT,CLUTCH SPRING (GV650P)	3	
6	09103H12001	BOLT,MAGNETO (GT650)	1	
7	09420H04001	KEY,MAGNETO (GT650)	1	
8	09160H12003	WASHER,MAGNETO (GT650)	1	

FIG.48



SEQ	PART CODE	PART NAME	U/S	REMARK
0	59600HP9203	CYLINDER,FRONT MASTER (GT650)	1	
1	59687-35C00	BODY (GD)	1	Not Sale
2	59669SN9110	CAP SET (GT,TE450)	1	59669HN9100 + 59511HP9200
2-1	59669HN9100	CAP,MASTER CYLINDER (GT650)	1	
2-2	59511HP9200	RESERVOIR CAP PLATE (GT250)	1	
6	01107-35C00	BOLT (GD)	2	

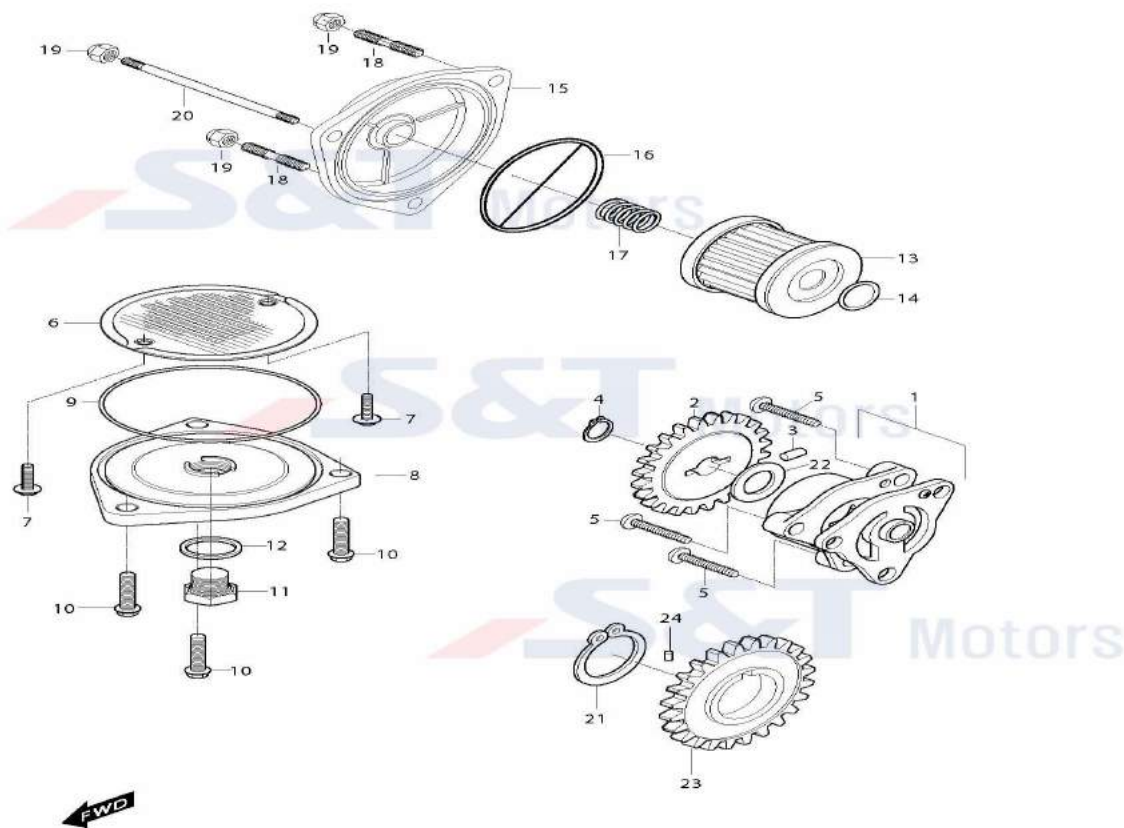
FIG 13



SEQ	PART CODE	PART NAME	U/S	REMARK
0-1	14305HB9710PLH	MUFFLER ASSEMBLY (GT650RN)	1	
1	14310H89300	BODY COMP,MUF (CATALYST□□	1	
2	14160HB97100BF	PIPE COMP,EXHAUST FT(S&T)(GT65	1	
3	14150HN91030BF	PIPE COMP,EXHAUST REAR (GT650)	1	
4	14411HN91040BF	BRACKET,MUFFLER SUPPORT(GT650)	1	
5	14170HB97100BF	PIPE COMP,MUFF JOINT (GT650RN)	1	
6	14770HN91010BF	CONNECTOR COMP,EX PIPE (GT650	1	
7	14314HN9101	GASKET,CONNECTOR FLANGE(GT650)	1	
8	14773HN9101	GASKET,CONNECTOR EXHAUST PIPE	2	
9	01517-08358	BOLT,PILLION RIDER REAR (FXM)	1	
10	01421-08258	STUD BOLT,EXHAUST PIPE (FX)	2	
11	09143H08001	NUT,EXHAUST PIPE (GV)	2	
12	01517-10458	BOLT,PILLTON FOOTREST RH	4	
13	09160-10102	WASHER,MUFFLER SPORT	4	
14	08316-26108	NUT,MAGNET FLY WHEEL (SD)	1	
15	07120-08207	BOLT,CONNCTER (GT650)	3	
16	01137-08168	BOLT,PROP STAND SPRING	1	

17	14181HN9101	GASKET,EXHAUST (GT650)	3
18	14186HN91000BF	COVER,EXHAUST PIPE (GT650)	1
19	09110-06308	NULL	2
20	14776HN9100	CLAMP,OUTER MUFFLER NO.1(GT650)	1
21	14778HN9100	CLAMP,OUTER MUFFLER NO.2(GT650)	1
22	37950H99D00	SENSOR ASS'Y, OXYGEN (GV700C)	1
22-1	37950H99D01	SENSOR ASS'Y, OXYGEN (GV700C)	1 [2012/10/30]

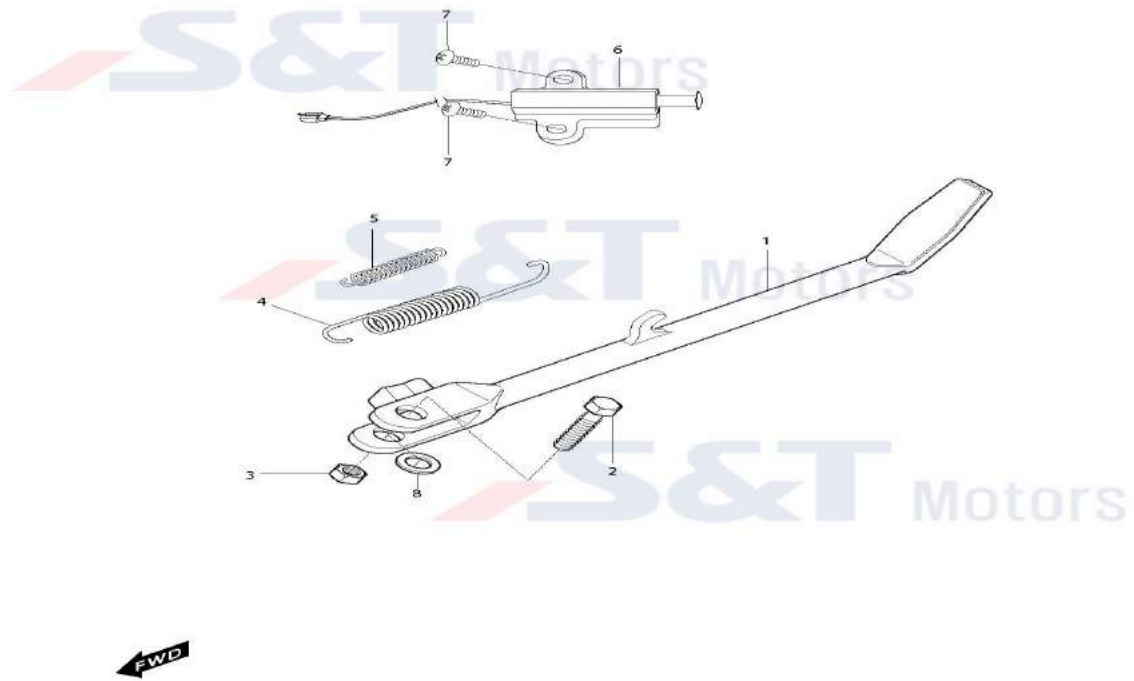
FIG 14



SEQ	PART CODE	PART NAME	U/S	REMARK
1	16400HN9101	PUMP ASS'Y,OIL (GT650)	1	
2	16331HN9104	GEAR OIL PUMP (TE450)	1	
3	09261H04001	PIN,OIL PUMP DRIVEN GEAR(GT650)	1	
4	08331-31109	CIRCLIP (GV)	1	
5	02112-06258	SCREW (GV650)	3	
6	16520HN9100	STRAINER COMP,ENGINE OIL(GT650)	1	
7	02112-95126	SCREW,ENGINE OIL STATER	2	
8	16523HN9100	CAP,OIL STRAINER (GT650)	1	
9	09280H82001	O-RING,OIL STRAINER CAP(GT650)	1	
10	01547-06208	BOLT,OIL STRAINER CAP	3	
11	09247-14019	PLUG,OIL DRAIN (GT650)	1	
12	09168H14003	GASKET,OIL CHECK PLUG (SB)	1	
13	16510HN9101HAS	FILTER COMP,ENGINE OIL (GT650)	1	
14	09280H16001	O-RING,OIL FILTER (GT650)	1	
15	16512HN9101121	CAP,OIL FILTER (GT650R)	1	BLACK
16	09280H69001	O-RING,OIL FILTER CAP (GT650)	1	
17	09440H18001	SPRING,OIL FILTER CAP (GT650)	1	
18	01421-06128	STUD BOLT,OIL FIL	2	

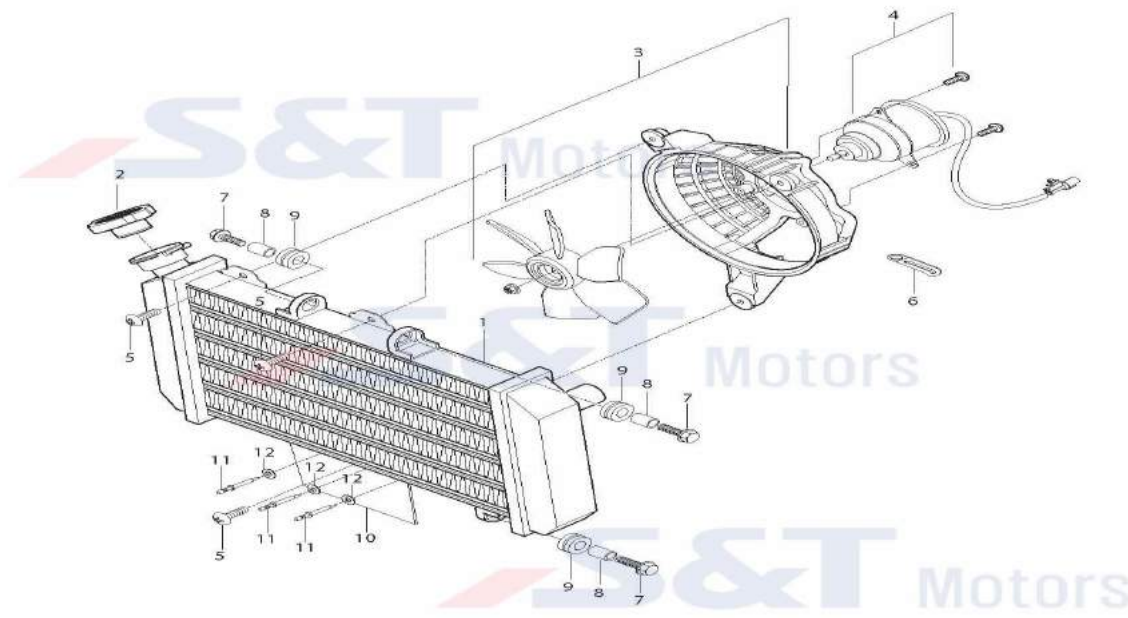
19	08313-11068	NUT	3
20	01421-06758	BOLT,OIL FILTER CAP STUD(GT650	1
21	08331-31389	CIRCLIP,OIL PUMP DRV GR(GT650)	1
22	08221-10185	SHIM,OIL PUMP DRVN GEAR (GT650	1
23	16321HN9103	GEAR,OIL PUMP DRIVE (GT650)	1
24	09261H06001	PIN,OIL PUMP DRIVE GR (GT650)	1

FIG 31



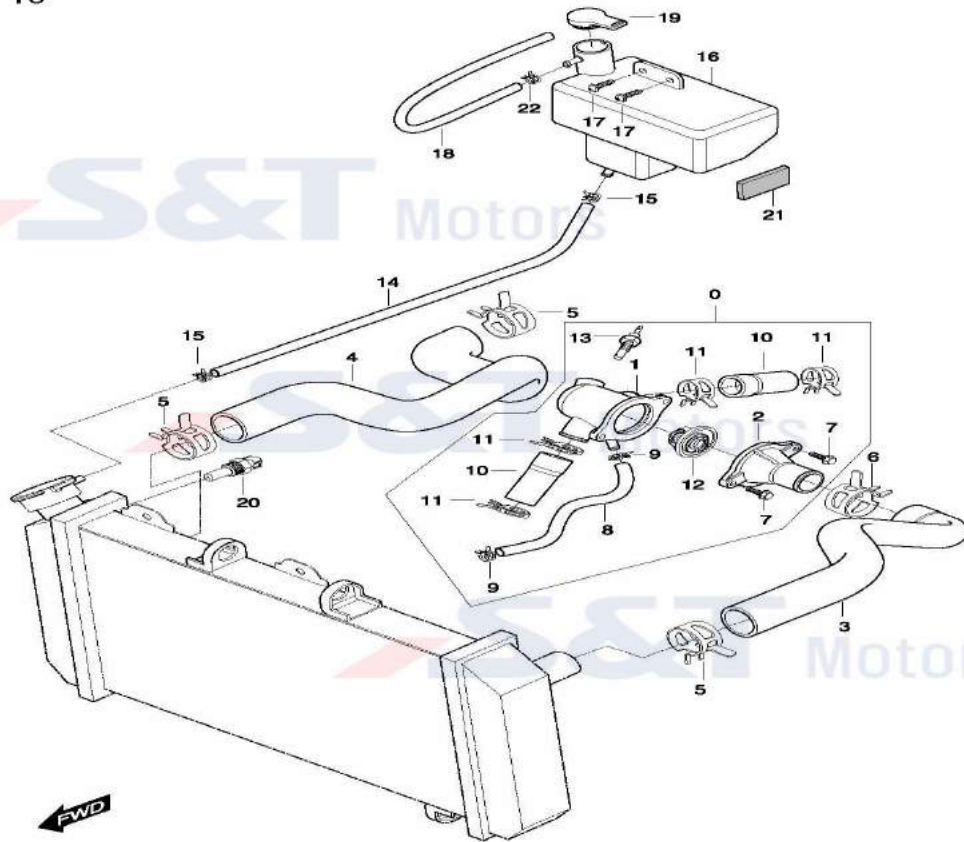
SEQ	PART CODE	PART NAME	U/S	REMARK
1	42310HN9150120	STAND COMP,PROP (GT650R)	1	BLACK
2	09100-10031	BOLT,PROP STAND (GT250RN)	1	
3	08310-22106	NUT,PROP STAND (GV)	1	
4	09443-15047	SPRING,CENTER STAND	1	
5	09443-06001	SPRING,PROP STAND INN(SB-FN02)	1	
6	37840HN9102	SWITCH ASSY,SIDE STAND (GT650)	1	
7	01517-06205	BOLT,SPORT CARRIER (FX)	2	
8	08221-12225	SHIM PROP STANDER (GD)	1	

FIG 3



SEQ	PART CODE	PART NAME	U/S	REMARK
1	17710HN9102	RADIATOR COMP,WATER (GT650)	1	
1-1	17710HN9103	RADIATOR COMP,WATER (GT650)	1	KM4MP62D7D1500234~(01.2013~)
2	17720HN9100	CAP,RADIATOR (GT650)	1	
3	17800HN9110	FAN ASS'Y,RADIATOR (GT650)	1	=17800HN9104~-03~-02
4	17810HN9100	MOTOR ASS'Y,RADIATOR FAN(GT650)	1	
5	02142-05165	SCREW,HANDLE COVER NO1	3	
6	09404-06429	CLAMP, OIL HOSE(60MM) (FR)	1	
7	09116-06143	BOLT OIL COOLER (GSX)	3	
8	09180-06030	SPACER	3	
9	09320-10015	CUSHION OIL COOLER (GA)	3	
10	17761HN9100	MUD GUARD,RADIATOR (GT650)	1	
11	09229-03011	RIVET,PLATE MANUFACTURER	3	
12	68928-09F00	WASHER (160)	3	
14	68170HN9110	LABEL RELAY (GT650FI)	1	

FIG 16

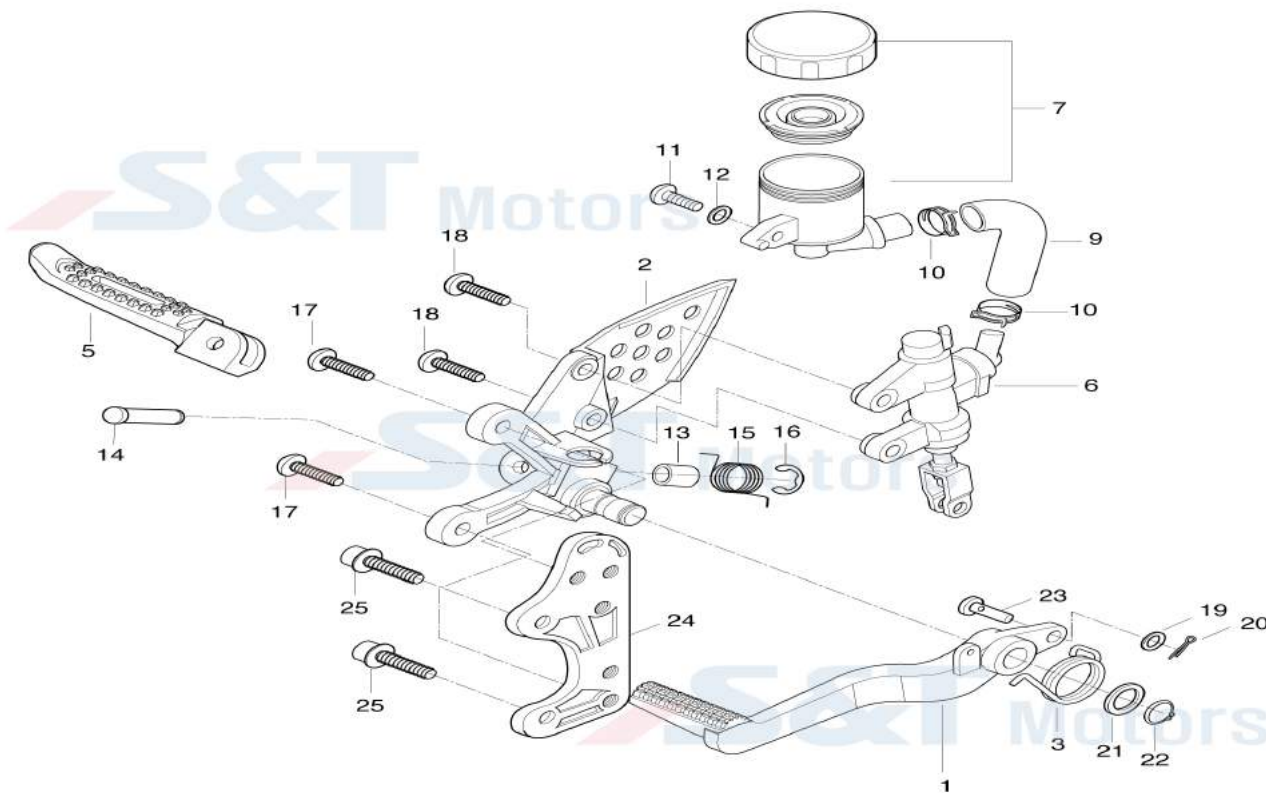


-17-

SEQ	PART CODE	PART NAME	U/S	REMARK
0	17610HP9300HPA	THERMOSTART ASS'Y (GT650FI)	1	
1	17621HP93000S1	CONNECTOR,THERMOSTAT INLET(GT)	1	
1-1	17621HP9300121	CONNECTOR,THERMOSTAT (GV650)	1	MY 14 (November, 2013~)
2	17631HN91000S1	CAP,THERMOSTART CONNECTOR(GT65	1	
2-1	17631HN9100121	CAP,THERMOSTART (GV650)	1	MY 14 (November, 2013~)
3	17741HN9101	HOSE,RADIATOR INLET (GT650)	1	
4	17751HN9101	HOSE,RADIATOR OUTLET (GT650)	1	
5	09401H26402	CLAMP,WATER PUMP HOSE (GT650	3	
6	09401H31402	CLAMP,RADIATOR INLET HOSE(GT65	1	
7	01547-06208	BOLT,OIL STRAINER CAP	2	
8	17641HN9100	HOSE,THERMOSTART BYPASS(GT650)	1	
9	09401H13401	CLAMP,THERMOSTAT BYPASS HOS	2	
10	17661HN9100	HOSE,CONNECTOR INLET (GT650)	2	
11	09401H24402	CLAMP,CONNECTOR INLET HOSE(GT6	4	
12	17610HN9100	THERMOSTART COMP (GT650)	1	
13	17650HP9300	SENSOR,WATER TEMP&GUAGE(GV650F	1	

14	17981HN9100	HOSE,RESERVER TANK INLET(GT650	1
15	09401H11403	CLAMP,RESERVER TANK (GT650)	2
16	17911HN9104	TANK,RESERVER (GT650)	1
17	09136-06017	SCREW,AIR CLENR	2
18	17982HN9100	HOSE,RESERVER TANK OVERFLOW(GT	1
19	17921HN9100	CAP,RESERVER TANK (GT650	1
20	17860HN9100	SWITCH ASS'Y,THERMO (GT650)	1
21	17912HN9100	CUSHION,RESERVER TANK (GT650)	1
22	09401-09101	CILP,OIL HOSE NO1	1

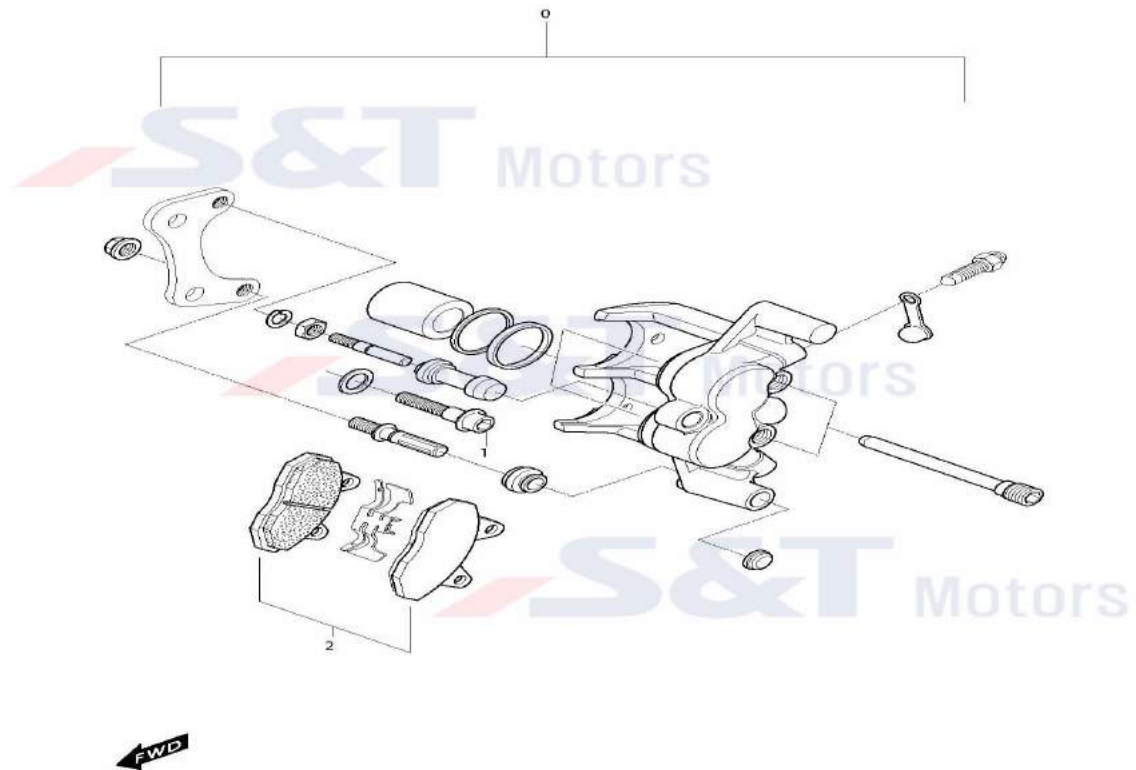
FIG 32



SEQ	PART CODE	PART NAME	U/S	REMARK
1	43110HM810003P	PEDAL COMP,BRAKE (GT250)	1	
2	43530H9970003P	BRACKET,FT FOOTREST (GT650RN)	1	
3	09448H30004	SPRING,BRAKE PEDAL RETURN(GT25	1	
5	43561HC9701	FOOTREST,FRONT RH	1	=43561HC9700 / =43560HM8100
6	69609HC9700	CYLINDER SET,REAR MASTER(GT650	1	
7	69800HN9100	TANK SET,RESERVER (GT650)	1	
10	09400H13001	CLAMP,RESERVER TANK HOSE(GT250	2	
11	01517-06168	BOLT,STEERING LOCK (SD)	1	
12	09160-06019	WASHER	1	
13	09180H08008	SPACER FRONT FOOTREST	1	
14	43579HM8101	PIN,FRONT FOOTREST (GT250)	1	
15	09448H14007	SPRING FRONT FOOTREST	1	
16	08332-11079	E-RING	1	
17	07110-08258	BOLT,FRAME JOINT	2	
18	07110-08258	BOLT,FRAME JOINT	2	
19	08322-21068	WASHER HEAD LAMP AIMING	1	
20	04111-20208	COTTER PIN	1	

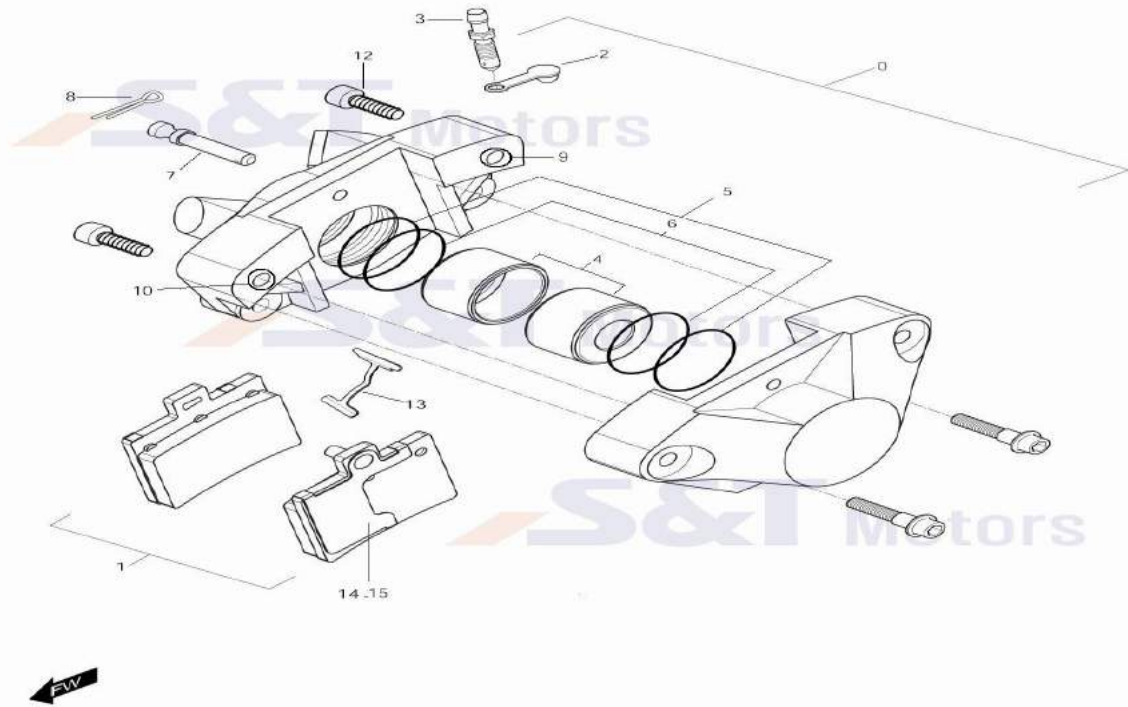
21	09160H15002	WASHER,BRAKE PEDAL (GT250)	1
22	08331-31159	CIRCLIP,KICK IDLE	1
23	09200H06040	PIN,REAR MASTER CYLINDER(GT250	1
24	43550HP9201	BKT,FT F/REST BACK STEP R(GT65	1
24-1	43560HP9201	BKT,FT F/REST BACK STEP L(GT65	1
25	07120-08258	BOLT,GRIP HANDLE (GT250RN)	2

FIG 54



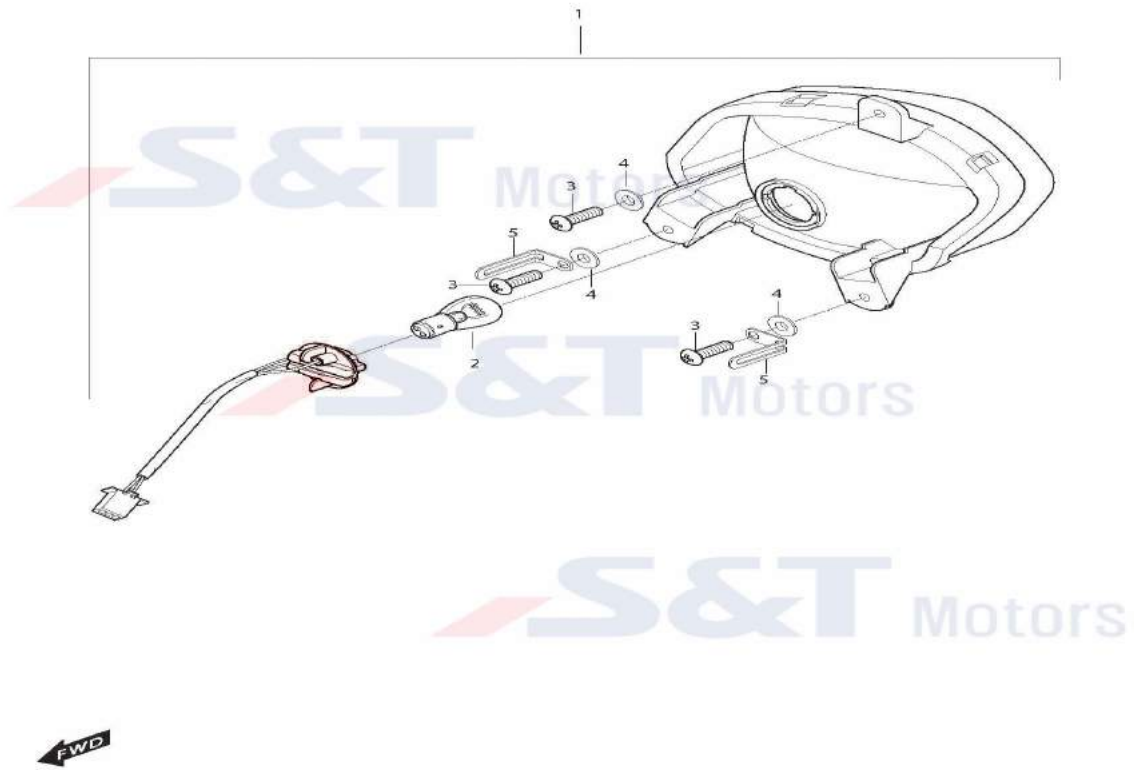
SEQ	PART CODE	PART NAME	U/S	REMARK
0	69300HN9102	CALIPER ASSY,REAR BRAKE(GT650	1	
1	09103H08254	BOLT,CALIPER (GV)	2	
2	59301HP9500	PAD SET(8.4T) (GV650)	1	

FIG 49



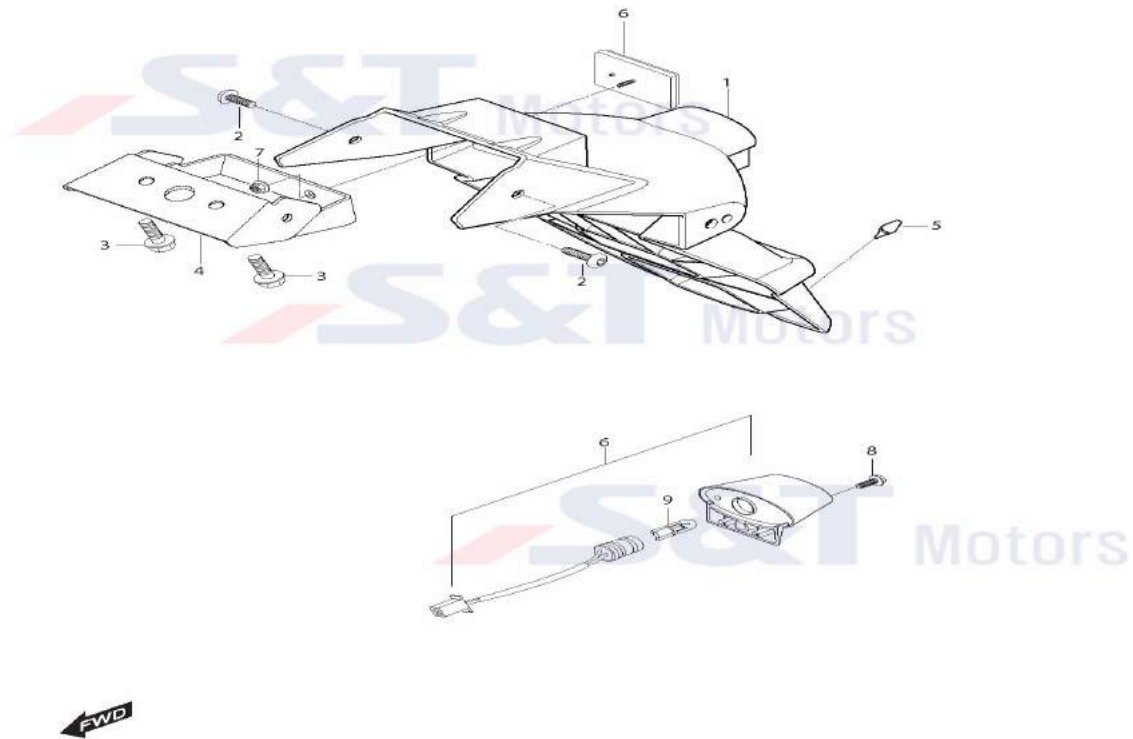
SEQ	PART CODE	PART NAME	U/S	REMARK
0	69300HC8100	CALIPER ASSY,REAR BRAKE(GD250)	1	
1	69301HC8100	PAD SET, BRAKE	1	
2	69321HC8100	CAP, BLEEDER	1	
3	69322HC8100	BLEEDER	1	
4	69323HC8100	PISTON, CALIPER	2	
5	69324HC8100	SEAL, PISTON	2	
6	69325HC8100	DUST SEAL	2	
7	69326HC8100	BOLT	1	
8	69370HC8100	COTTER PIN, REAR BRAKE	1	
9	69380HC8100	O-RING	1	
10	69380HC8100	O-RING	1	
12	69320HC8100	BOLT	2	
13	69350HC8100	SPRING, REAR BRAKE PAD	1	
14	69362HC8100	SHIM, BRAKE PAD OUTER	1	
15	69361HC8100	SHIM, BRAKE PAD INNER	1	

FIG 29



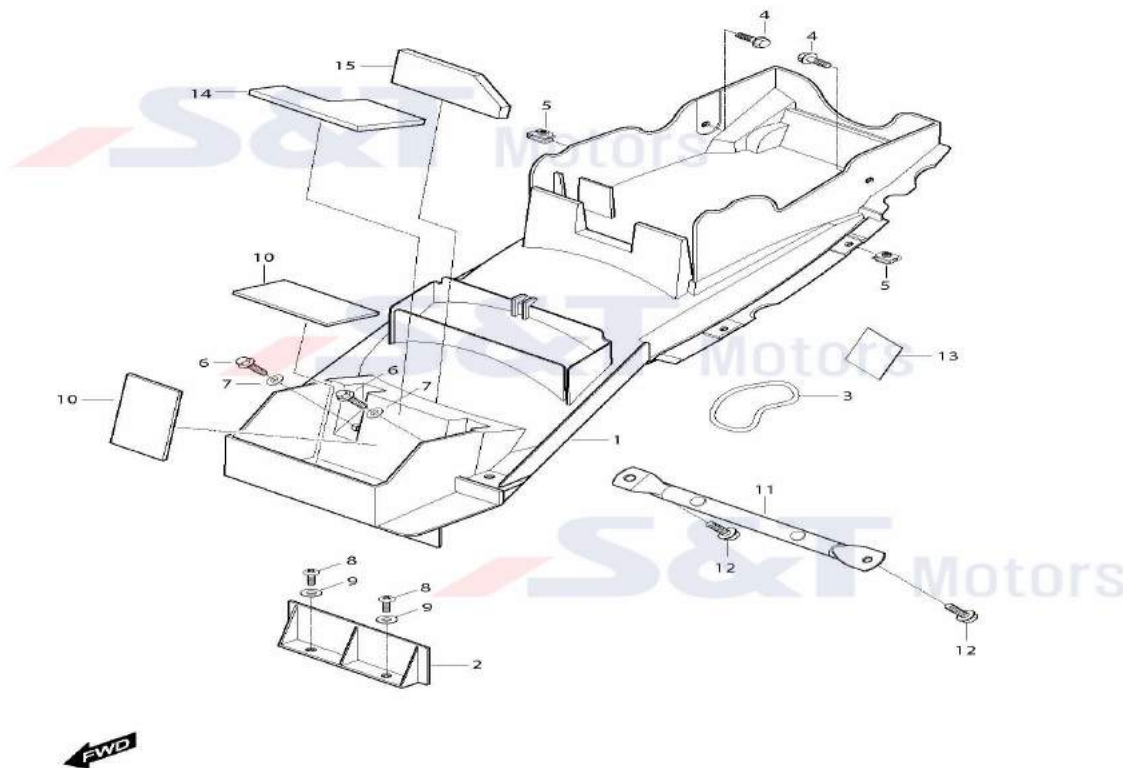
SEQ	PART CODE	PART NAME	U/S	REMARK
1	35710H99700	LAMP ASS'Y, TAIL&STOP (GT125RN)	1	
2	09148-06020	NUT	2	
3	02142-06125	SCREW, COVER LEG SHIELD	4	

FIG 50 (2009)



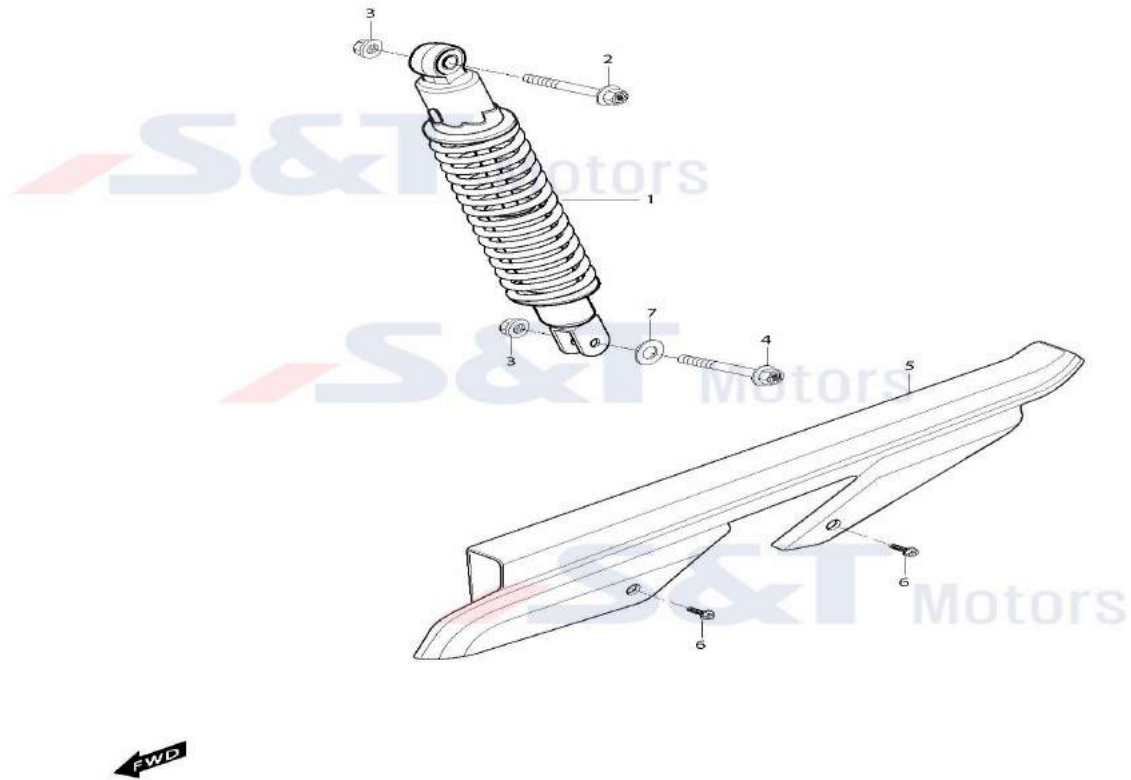
SEQ	PART CODE	PART NAME	U/S	REMARK
1	63111H9970012A	FENDER REAR (GT650RN)	1	
2	09106H08150	BOLT,FT FENDER CALIPER (GV650)	2	
3	01517-08168	BOLT REAR AXLE BRI HOUSING	2	
4	63210H99700	BRACKET,REAR FENDER (GT650RN)	1	
5	09321-06023	CUSHION,LICENCE PLATE	1	
6	35910HP7600	LAMP ASSY,LICENSE PLATE (GT)	1	
6	35970-17303	REFLEX,REFLECTOR ASS'Y,REAR(FX	1	
7	08310-11055	NUT,REAR REAR	1	
8	02112-05208	SCREW,CARBURETOR INSPECTIO CAP	1	
9	09471H12110	BULB,POSITION LAMP (12V 5W)	1	
9-1	09471H12110	BULB,POSITION LAMP (12V 5W)	1 [2011/3/4]	

FIG 38



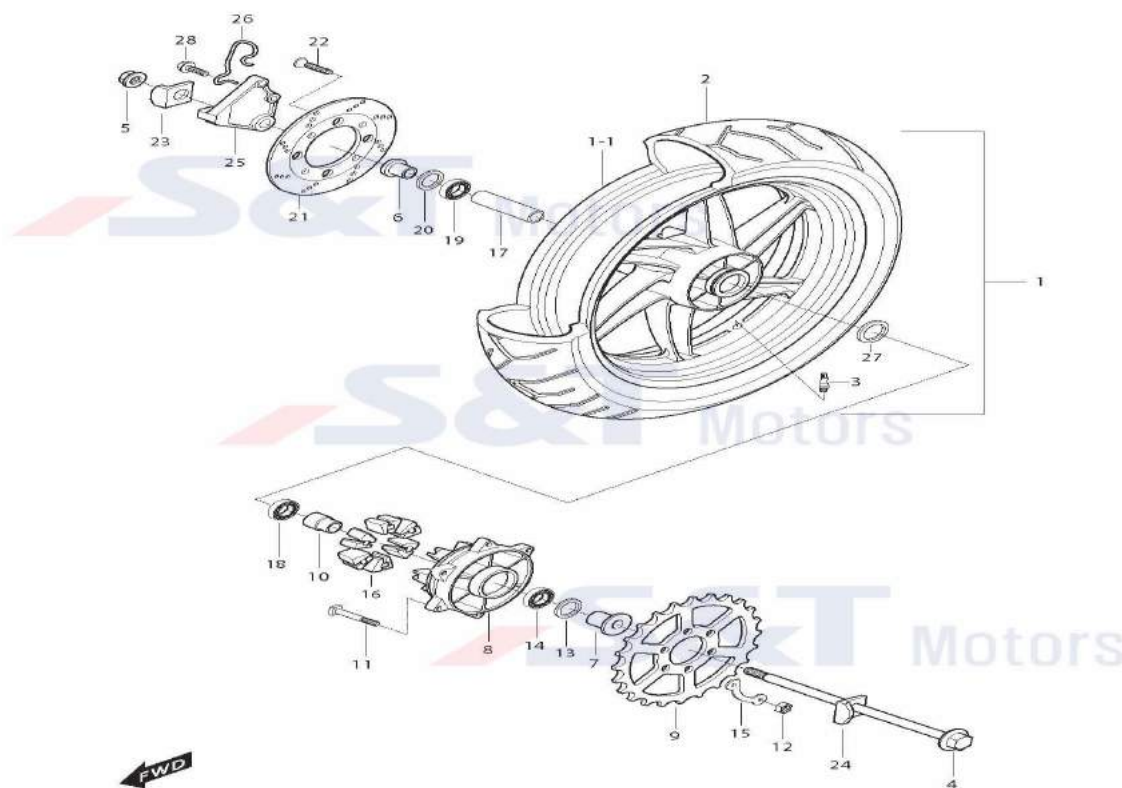
SEQ	PART CODE	PART NAME	U/S	REMARK
1	63112H9970112A	REAR FENDER FRONT (GT650RN)	1	
2	63113HM810112A	FENDER REAR LOWER (GT250)	1	Location:SWING ARM
2-1	63114H99700	FENDER,RR FT LOWER (GT650RN)	1	
3	09106H06150	WRENCH BOLT 6*15MM (GT650)	4	
4	09169H06078	WASHER,FRONT FENDER (GT650)	4	
5	01517-08168	BOLT REAR AXLE BRI HOUSING	2	
6	01517-06166	BOLT,STEERING LOCK (GV)	2	
7	09169-06032	WASHER,REAR FENDER (GD)	2	
8	02142-06125	SCREW,COVER LEG SHIELD	2	
9	63161HP9300	CUSHION,FENDER REAR FT(GT250R)	1	
10	41589HG5900	PROTECTOR,BATTERY COV (SD90)	2	
11	63120HN9150120	TUBE,RR FEN FT&FM SIDE(GT650R)	1	
12	63162HP9300	CUSHION,FENDER REAR FT(GT250R)	1	

FIG 51



SEQ	PART CODE	PART NAME	U/S	REMARK
1	62100H99700	REAR SHOCK ABSORBER (GT650RC)	1	
2	09103H10101	BOLT,HANDLE BAR SET (EZ)	1	
3	08319-31108	NUT,FRONT SORBER	2	
4	09103H10101	BOLT,HANDLE BAR SET (EZ)	1	
5	61310H99700	CASE COMP,CHAIN (GT125N)	1	
6	09111H06066	BOLT CHAIN CASE (GD)	2	
7	09160-10001	WASHER,SORBER	1	

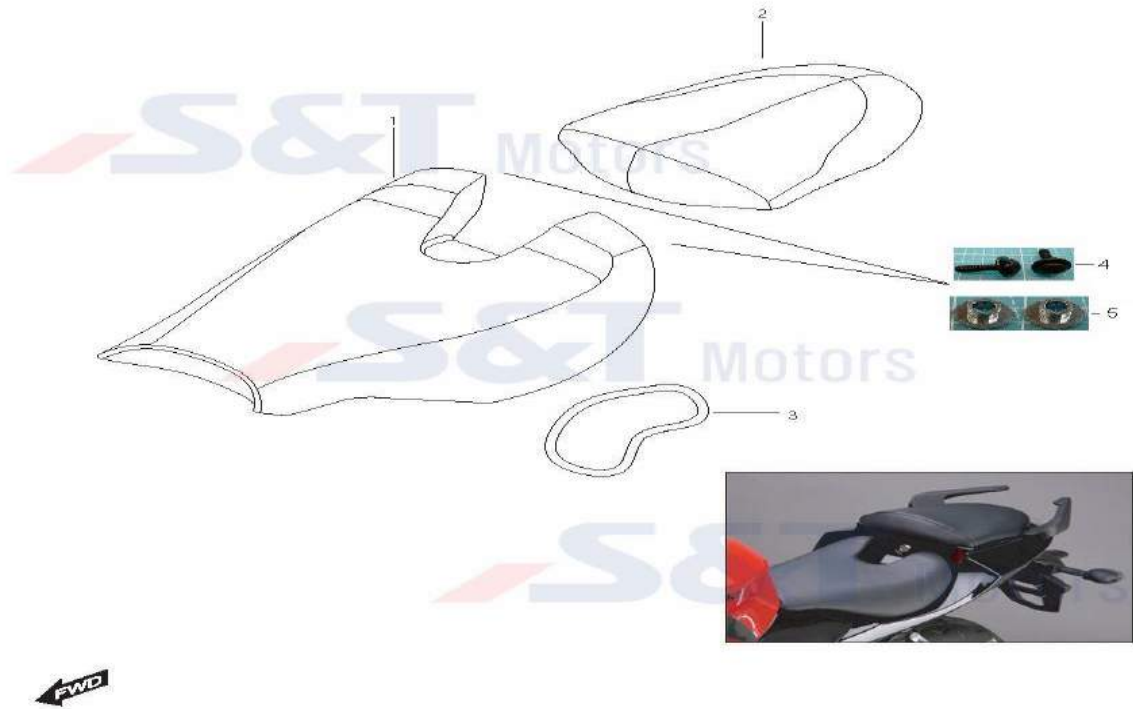
FIG 53



SEQ	PART CODE	PART NAME	U/S	REMARK
1	64150HN9101HPA	WHEEL COMP,REAR (GT650)	1	BLACK, ADD. BEARING
1-1	64150HN9101120	WHEEL REAR,COMP (GT650R)	1	=64150HN9100120
2	65100HN9101	TIRE COMP,REAR (GT650)	1	
3	55220-29C20	VALVE ASS'Y	1	
4	64711HN9102	AXLE,REAR (GT650)	1	
5	09159H16002	NUT,REAR AXLE (GT250)	1	
6	64741HM8100	SPACER,REAR AXLE R (GT250)	1	
7	64751HM8100	SPACER,REAR AXLE L (GT250)	1	
8	64611HN9150120	DRUM,RR SPROCKET MOUNTING(GT650)	1	BLACK
9	64511HN9101	SPROCKET,REAR(44T) (GT650)	1	
10	64733HM8100	RETAINER,RR MOUNT'G DRUM(GT250)	1	
11	01517-08358	BOLT,PILLION RIDER REAR (FXM)	6	
12	08319-31088	NUT,PILLION FOOTREST	6	
13	09285-28001	OIL SEAL REAR DRUM	1	
14	08133-62047	BEARING,REAR SPROCKET DRUM(GT)	1	
15	64160HC9700	WEIGHT,WHEEL BALANCE(BLACK)	2	GV650:KM4VP61A4D1500512~(05/15.2013~), GT250:KM4MJ57C6E1100954~(5/16.201

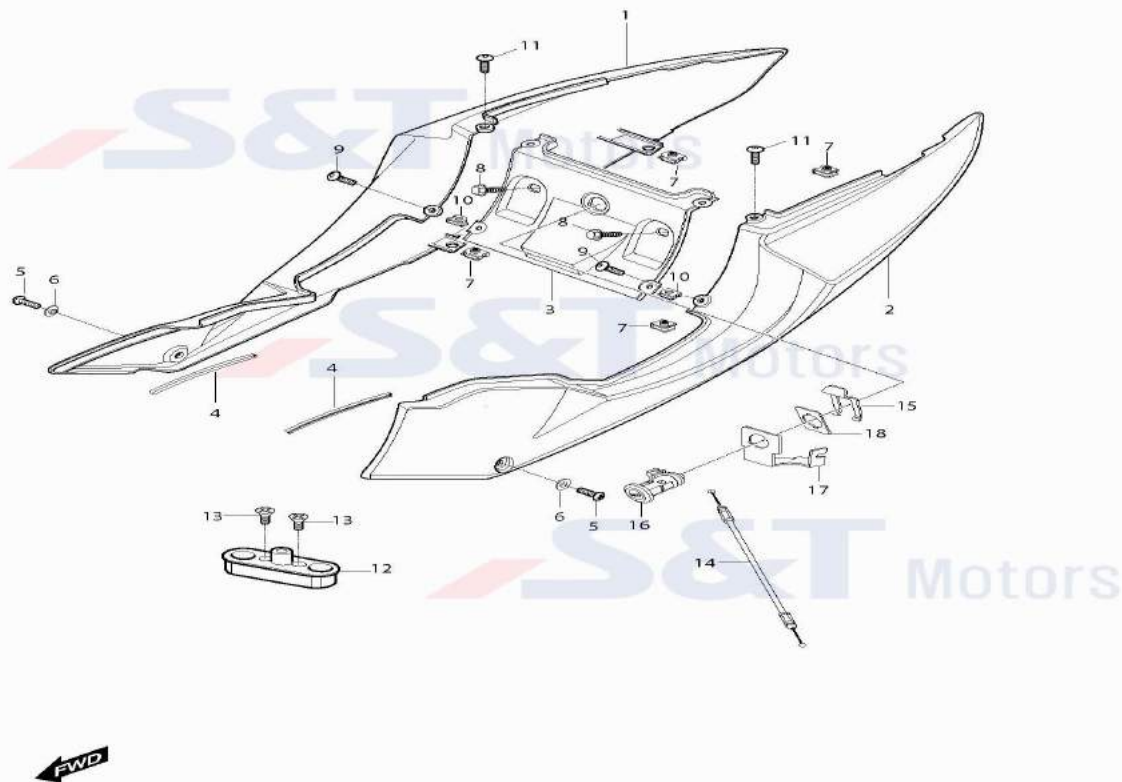
16	64651HM8101	HUB,S/ABSORBER (GT650)	6
17	64731HM8100	SPACER,REAR WHEEL BEARING(GT25)	1
18	08133-62037	BEARING,REAR HUB R/L (RT125)	1
19	08133-62037	BEARING,REAR HUB R/L (RT125)	1
20	09283-27010	OIL SEAL,REAR AXLE	1
21	69211HM8103	DISK,REAR BRAKE (GT250)	1 =69211HM8102/MY 14 (November, 2013~)
22	59421-03A01	BOLT,FRONT BRAKE DISK (SBS)	6
23	61411HN9100	PLATE,CHAIN ADJUSTER R (GT650)	1
24	61511HN9100	PLATE,CHAIN ADJUSTER L (GT650)	1
25	69340HM8170120	CARRIER,CALIPER (GT650R)	1 BLACK
25-1	69340HC8101	CARRIER, CALIPER (GD250N)	1 MY 14 (November, 2013~)
26	61610HM8101	GUIDE,REAR HOSE NO.1 (GT250)	1
27	09280-55001	OIL RING,REAR HUB L (GT250)	1
28	01517-06128	BOLT,OIL DRAIN	1

FIG 31 (2009)



SEQ	PART CODE	PART NAME	U/S	REMARK
1	45110HD8300	SEAT SET,FRONT (GT250)	1	2014. 06~,LOWER SEAT 13mm↓ /=45110H99700
2	45200H99700	SEAT SET,REAR (GT650RN)	1	
2-1	45200H99701	SEAT SET,REAR (GT650RC)	1	MY15
3	09280-63003	BAND TOOL	1	
4	09136-06113	SCREW BODY COWL'G FIT'G (GD)	2	
5	09180H06078	SPACER,FRONT SEAT (GT650RN)	2	

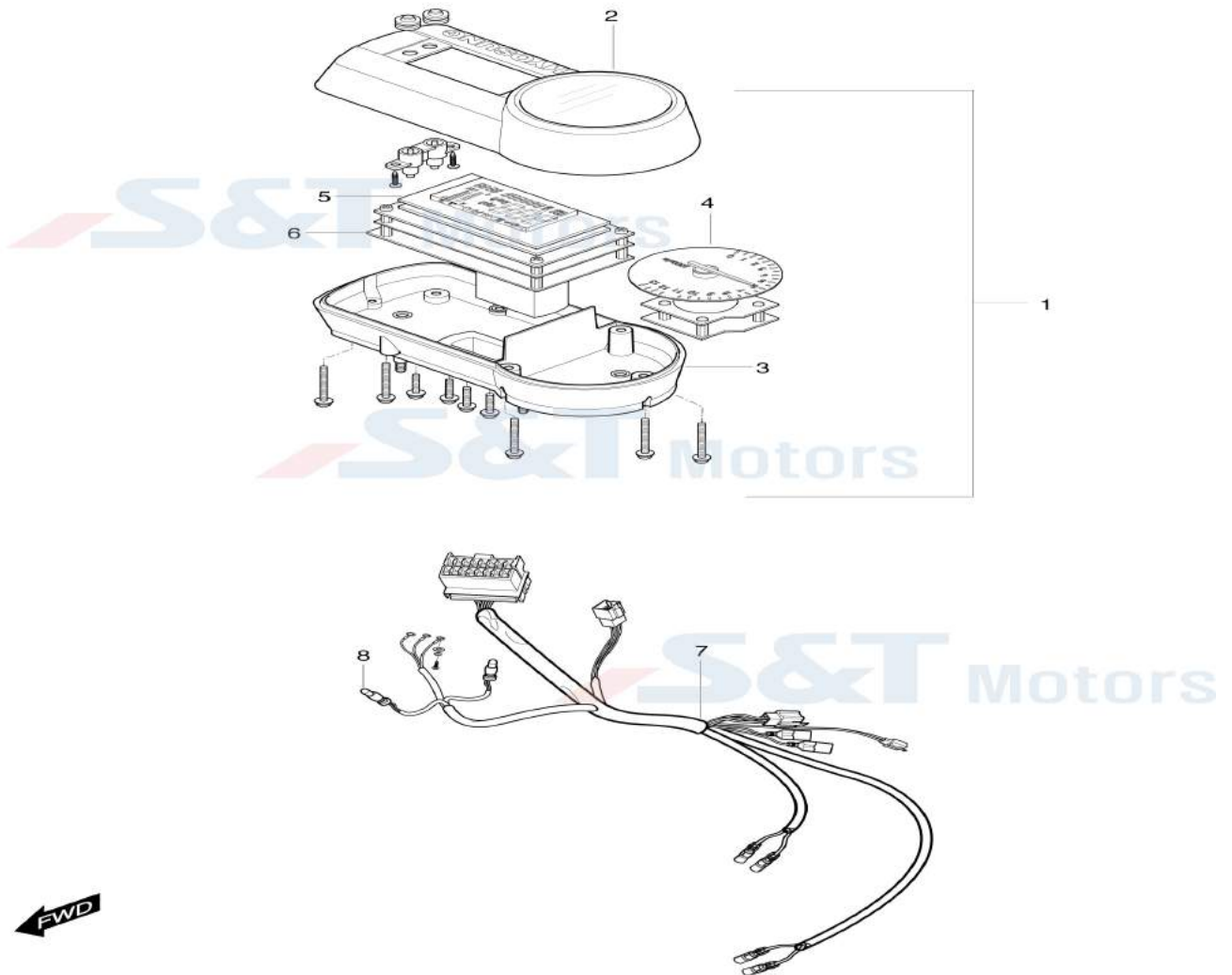
FIG 33 (2009)



SEQ	PART CODE	PART NAME	U/S	REMARK
1-1	47111H99700CLG	COVER,SIDE R (GT250N)	1 ***3BT, 3RT, 3WT	
1-1-1	68131HB810003P	EMBLEM,SIDE COVER RH "R"	1 ***3BT, 3RT, 3WT	
1-1-2	68134HB8100KK1	TAPE,SIDE COVER RH	1 ***3BT, 3RT, 3WT	
1-2	47111H99700CBK	COVER,SIDE R (GT650RN)	1 ***SBK	
1-2-1	68920HN92300E5	EMBLEM, EFI (GT650REI)	1 ***SBK	
1-3	47111H99700CDR	COVER,SIDE R (GT250N)	1 ***0DR	
1-3-1	68920HN92300E6	EMBLEM, EFI (GT650REI)	1 ***0DR	
1-4	47111H99700CWP	COVER,SIDE R (GT250N)	1 ***0WP	
1-4-1	68920HN92300E6	EMBLEM, EFI (GT650REI)	1 ***0WP	
2-1	47211H99700CLG	COVER,SIDE L (GT250N)	1 ***3BT, 3RT, 3WT	
2-1-1	68130HB810003P	EMBLEM,SIDE COVER LH "G"	1 ***3BT, 3RT, 3WT	
2-1-2	68136HB8100KK1	TAPE,SIDE COVER LH	1 ***3BT, 3WT, 3RT	
2-2	47211H99700CBK	COVER,SIDE L (GT650RN)	1 ***SBK	
2-3	47211H99700CDR	COVER,SIDE L (GT250N)	1 ***0DR	
2-4	47211H99700CWP	COVER,SIDE L (GT250N)	1 ***0WP	
3-1	47311H99700CBK	COVER,CENTER (GT650RN)	1 ***SBK	
3-2	47311H99700CDR	COVER,CENTER (GT250N)	1 ***0DR	
3-3	47311H99700CLG	COVER,CENTER (GT250N)	1 ***3BT, 3RT, 3WT	

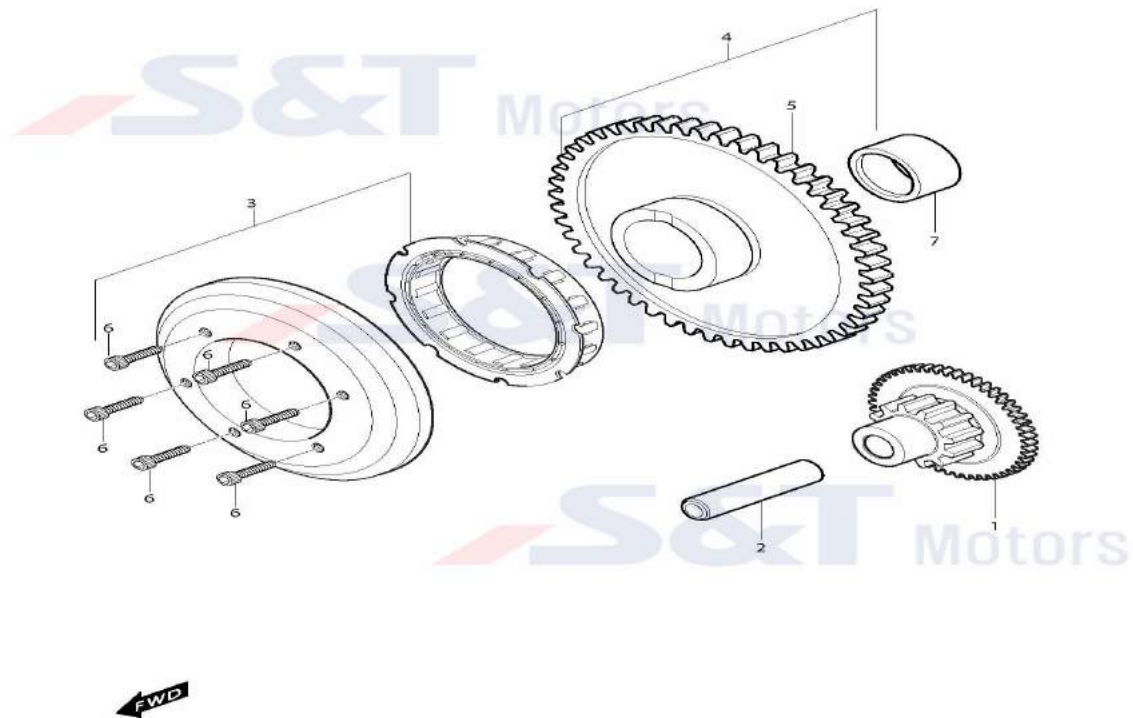
3-4	47311H99700CWP	COVER,CENTER (GT250N)	1 ***0WP
4	94631H99700	MOLDING SIDE COWL'G LOW (GT)	2
5	09106H06150	WRENCH BOLT 6*15MM (GT650)	2
6	09169H06078	WASHER,FRONT FENDER (GT650)	2
7	09148-06020	NUT	4
8	01517-06258	BOLT,INSPECTION CAP	2
9	09106H05150	WRENCH BOLT 5*15MM	2
10	09148H05030	NUT,SIDE COVER (GT)	2
11	09106H06150	WRENCH BOLT 6*15MM (GT650)	2
12	45220HM8101	LOCK ASS'Y,SEAT STRIKER RR(GT2	1
13	02122-06308	SCREW,SEAT STRIKER (GF)	2
14	45280-35C00	CABLE COMP SEAT LOCK (GD)	1
15	92414HF4500	LOCK,KEY SET (GPS)	1
16	45700HG2630	LOCK ASS'Y,SEAT (SF50)	1
17	45381HG2601	GUIDE,SEAT LOCK (SF50	1
18	92413HF4501	WASHER,COV HELMET BOX INN(GPS)	1

FIG 25



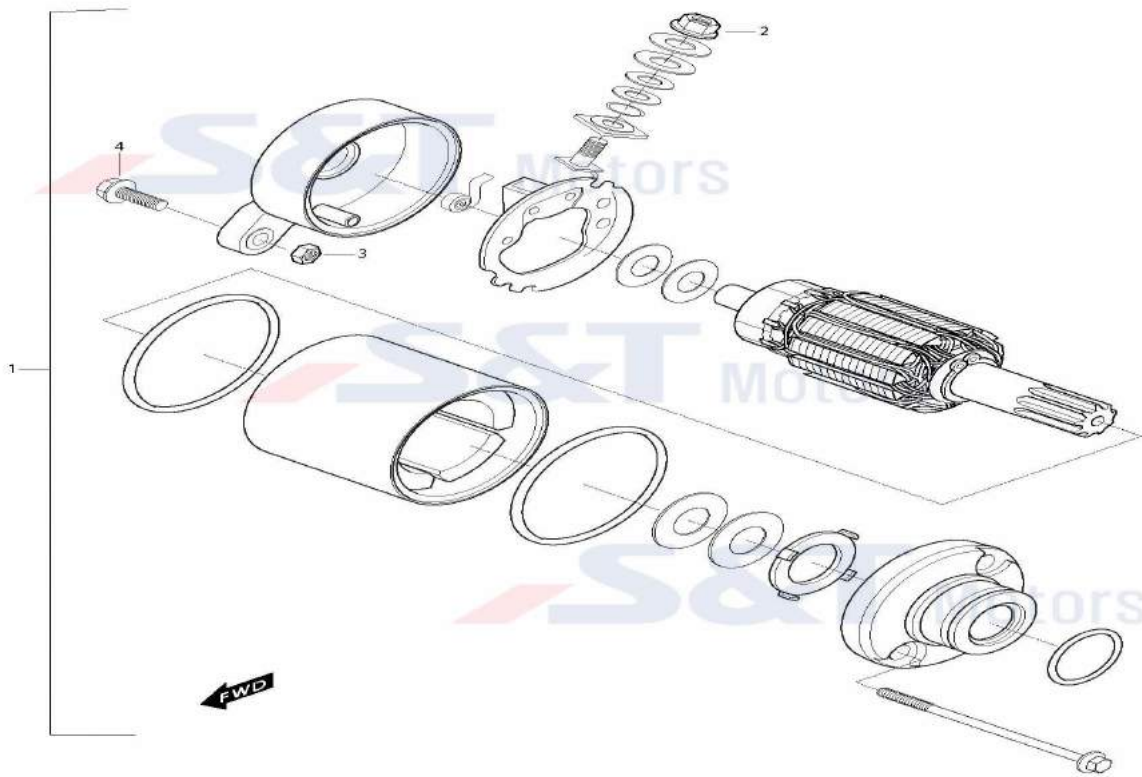
SEQ	PART CODE	PART NAME	U/S	REMARK
1	34100HC9700	SPEEDOMETER (GT650RC)	1	
2	34150HP9200	WINDOWS, CASE (GT650)	1	
3	34160HP9200	CASE SUB,HOUSING (GT650)	1	
5	34111HR9700	SPEEDOMETER COMP (GT650RFI)	1	
6	34600HR9700	PCB ASSY,METER (GT650RFI)	1	
8	09471-12072	BULB,(W2*4,6D*T6.5) (GT250)	2	

FIG.7



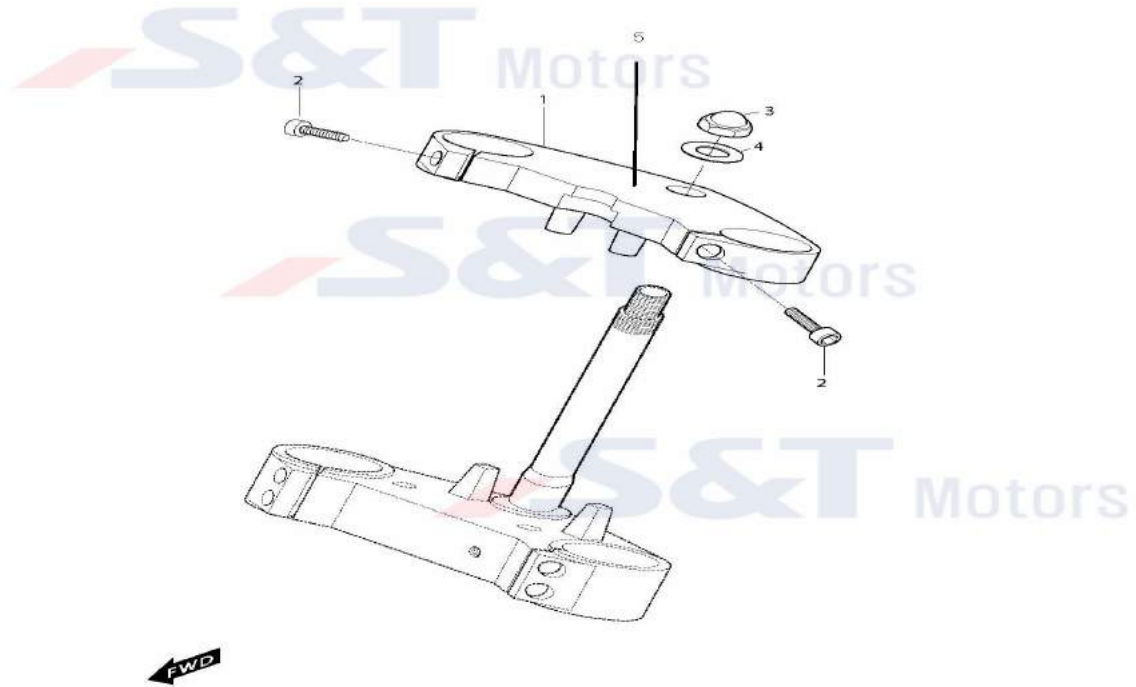
SEQ	PART CODE	PART NAME	U/S	REMARK
1	12611HN9100	GEAR,STARTER IDLE (GT650)	1	
2	09206-13003	PIN,STARTER IDLE GEAR	1	
3	12614HP8900	CLUTCH,STARTER ONE WAY (TE45	1	
4	12620HN9102	GEAR COMP,STARTER CLUTCH(GT650	1	
6	07110-08168	BOLT,STARTER CLUTCH (GD)	6	
7	09304H27001	BUSH,STARTER CLUTCH GEAR(GT650	1	

FIG 21



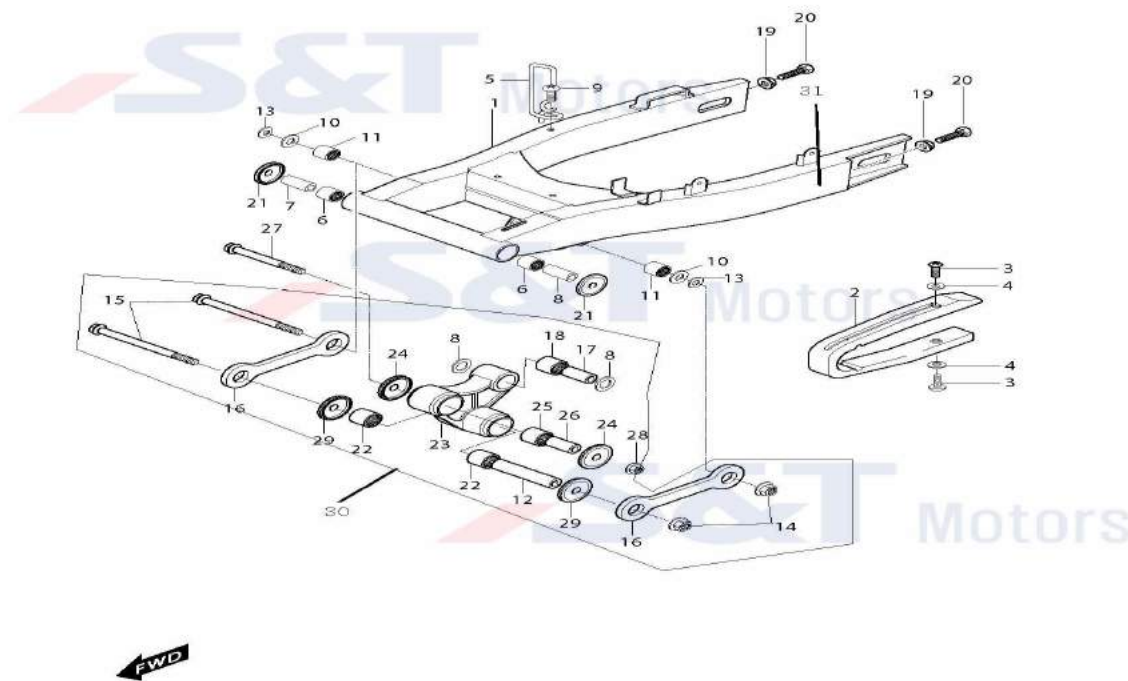
SEQ	PART CODE	PART NAME	U/S	REMARK
1	31100HN9100	MOTOR STARTER ASS'Y (GT650)	1	
2	08316-16068	NUT (GV650)	1	
3	08319-21068	NUT,BRAKE LEVER	2	
4	01547-06308	BOLT,MAGNET&CLUTCH COVER (EZ)	2	

FIG 41



SEQ	PART CODE	PART NAME	U/S	REMARK
1	51311H99700121	BRACKET,FT FORK UPPER (GT650RN)	1	
2	07110-08258	BOLT,FRAME JOINT	2	
3	09159H22102	NUT,STEERING UPPER (GT650RN)	1	
4	09160H22031	WASHER,STEERING UPPER (RX)	1	

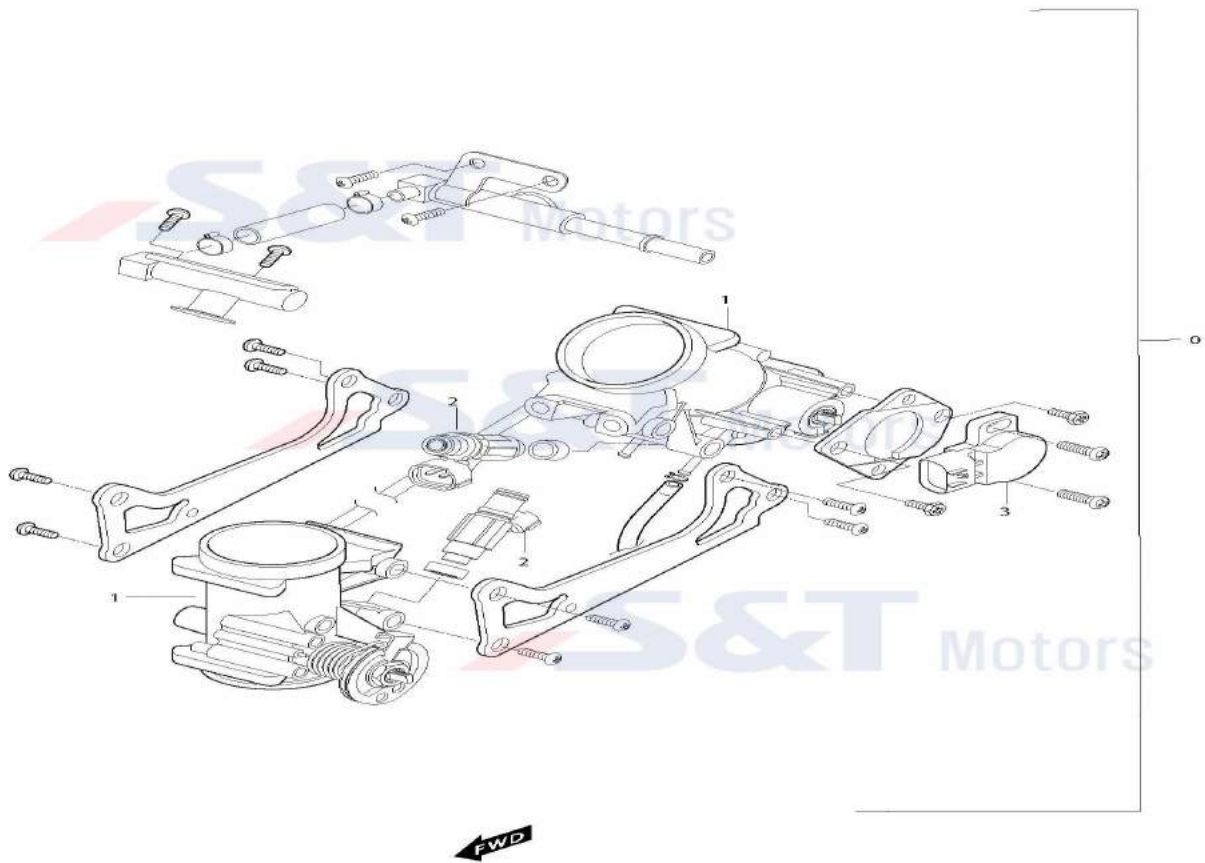
FIG 50



SEQ	PART CODE	PART NAME	U/S	REMARK
0	61100SN9106120	SWING ARM COMP (GT650)	1	***ADD. BEARING
1	61100H99700120	SWINGARM,REAR (GT650N)	1	***NO BEARING
2	61273HN9100	BUFFER,CHAIN TOUCH DEFENSE(GT6	1	
3	02142-06166	SCREW,BATTERY HOLDER (GV)	2	
4	09169H06011	WASHER	2	
5	61510HM8101	GUIDE,REAR BRAKE HOSE(GT250RC)	1	=61510HM8100
6	09263-22017	BEARING,REAR SWING	2	
7	61252HN9100	SPACER,REAR S/ARM PIVOT(GT650)	1	
8	61251HM8100	SPACER,SWING PIVOT BEAR'G(GT2	1	
9-1	02142-06128	SCREW,BATTERY HOLDER	1	(02.2013~)
9-2	09116-06143	BOLT OIL COOLER (GSX)	1	(02.2013~)
10	09283-20031	SEAL,REAR CUSHION ROD (RX)	2	
11	09263H20003	BEARING,REAR CUSHION ROD (RX)	2	
12	09180H14001	SPACER,REAR CUSH ROD (RX)	1	
13	08211-14321	WASHER,KICK STARTER	2	
14	09159H14008	NUT,REAR AXLE	2	
15	09103H14001	BOLT,REAR CUSHION ROD (RX)	2	

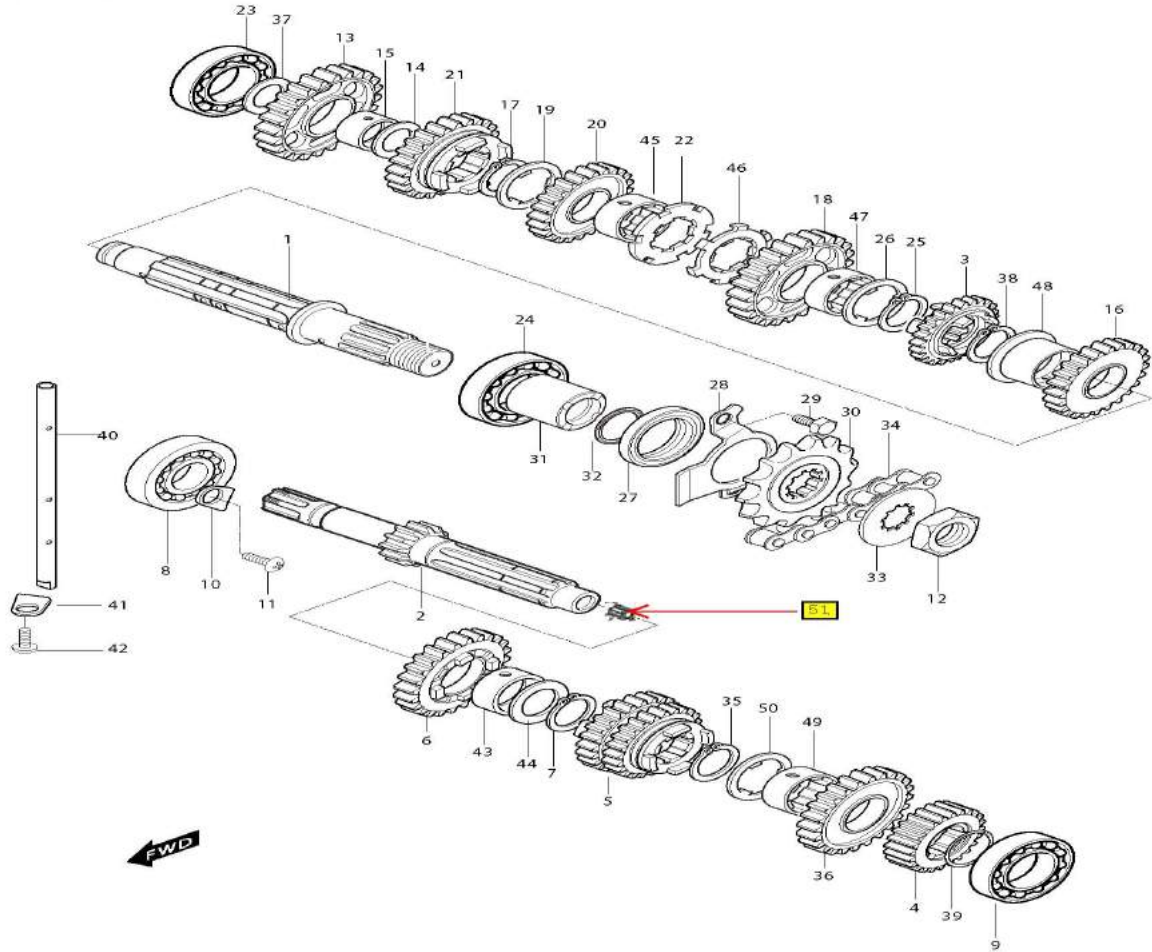
16	62641HN9100	ROD,REAR CUSHION LEVER (GT650)	2
17	09180H10073	SPACER,REAR CUSHION LEVER (RX)	1
18	09263H17002	BEARING,REAR CUSHION LEVER(RX)	1
19	08316-16088	NUT,CYLINDER HEAD	2
20	09103H08608	BOLT,CHAIN ADJUSTER (GT650)	2
21	61262-45002	COVER,REAR S/ARM (GT250RN)	2
22	09263H20003	BEARING,REAR CUSHION ROD (RX)	2
23	62611HG5800	LEVER,REAR CUSHION (RX)	1
24	09284H33003	DUST SEAL,REAR CUSHION LEVE(RX)	2
25	09263-20073	BEARING RR SWINGARM PIV (GD)	1
26	09180H12001	SPACER,REAR CUSH LEVER FT (RX)	2
27	09103H12046	BOLT,REAR CUSHION LEVER FT(RX)	1
28	08319-31128	NUT,SWING ARM PIVOT	1
29	09284H32001	SEAL,REAR CUSHION LEVER CEN(RX)	2
30	62611HN9100HPA	LEVER REAR,CUSHION ASSY(GT650)	1 ADD. BEARING

FIG 10



SEQ	PART CODE	PART NAME	U/S	REMARK
0	13400H99D03	BODY SET,THROTTLE (GV650P)	1	=13400H99D01
2	15710HP9310	INJECTOR (GT650N)	2	
3	13580HP9310	SENSOR,THROTTLE POSITION(GT650)	1	
5	44211H99D10	HOSE,FUEL TANK BREATHER JOIN	1	=13450H99D00
5	13970H99D00	BRACKET, IAP SENSOR (GV700C)	1	

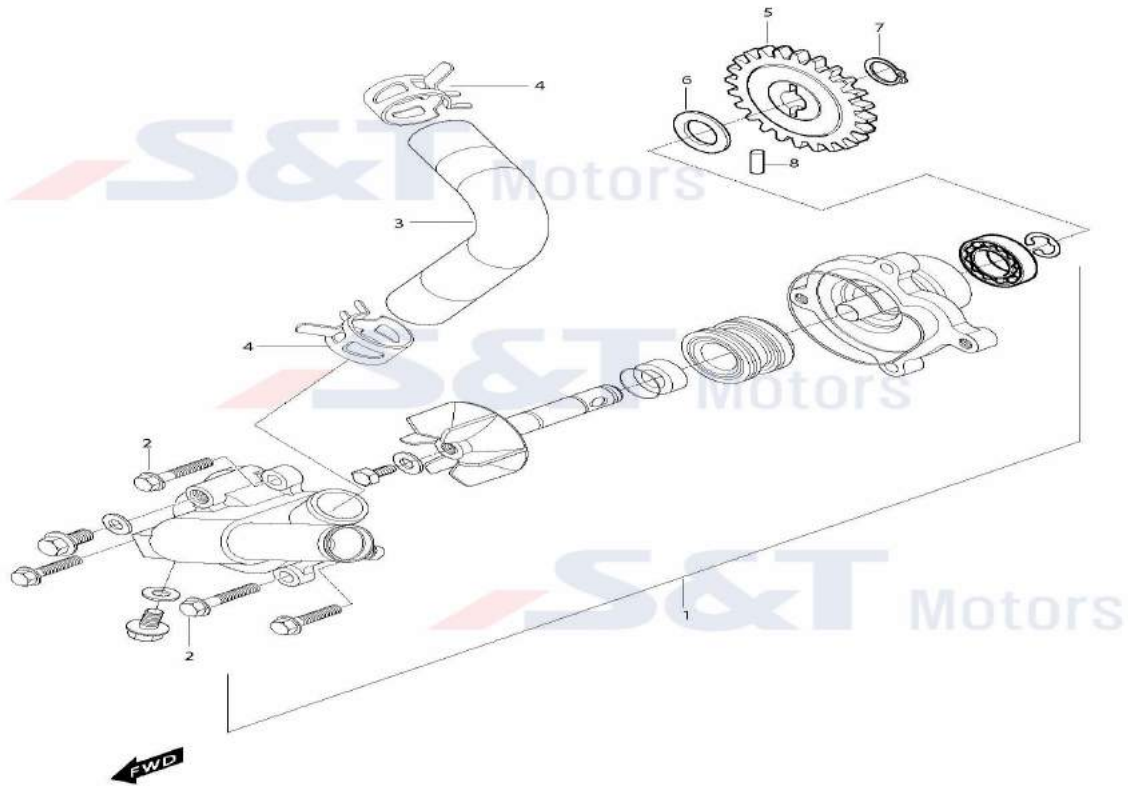
FIG.19



SEQ	PART CODE	PART NAME	U/S	REMARK
1-1	24120SN9100	SHAFT COUNTER COMP (GT650)	1	
1-2	24130SN9100	SHAFT DRIVE COMP (GT650)	1	
2	24121HN9104AS	SHAFT COUNTER COMP(A/S)(GT650)	1	
2-1	24131HN9100AS	SHAFT DRIVE COMP(A/S) (GT650)	1	
3	24361HN9101	GEAR,6TH DRIVN (GT650)	1	
4	24221HN9102	GEAR,2ND DRIVE (GT650)	1	
5	24231HN9101	GEAR,3RD & 4TH DRIVE (GT650)	1	
6	24251HN9101	GEAR,5TH DRIVE (GT650)	1	
7	09380H25001	CLIP,CLUTCH HOUSING (GT650)	1	
8	08113-63040	BEARING,COUNTER SHAFT R(GT650)	1	
9	08123-63050	BEARING,DRIVEN SHAFT L (GT650)	1	
10	24741HN9100	RETAINER,COUNTER SHAFT BG(GT65)	1	
11	02112-06128	SCREW,COUNTER SHAFT	1	
12	09159H20001	NUT,ENGINE SPROCKET (GT650)	1	
13	24311HN9100	GEAR,1ST DRIVEN (GT650)	1	
14	09181H20001	SHIM,1ST DRIVEN GEAR (GT650)	1	
15	24312HN9100	BUSH,1ST DRIVEN GEAR (GT650)	1	

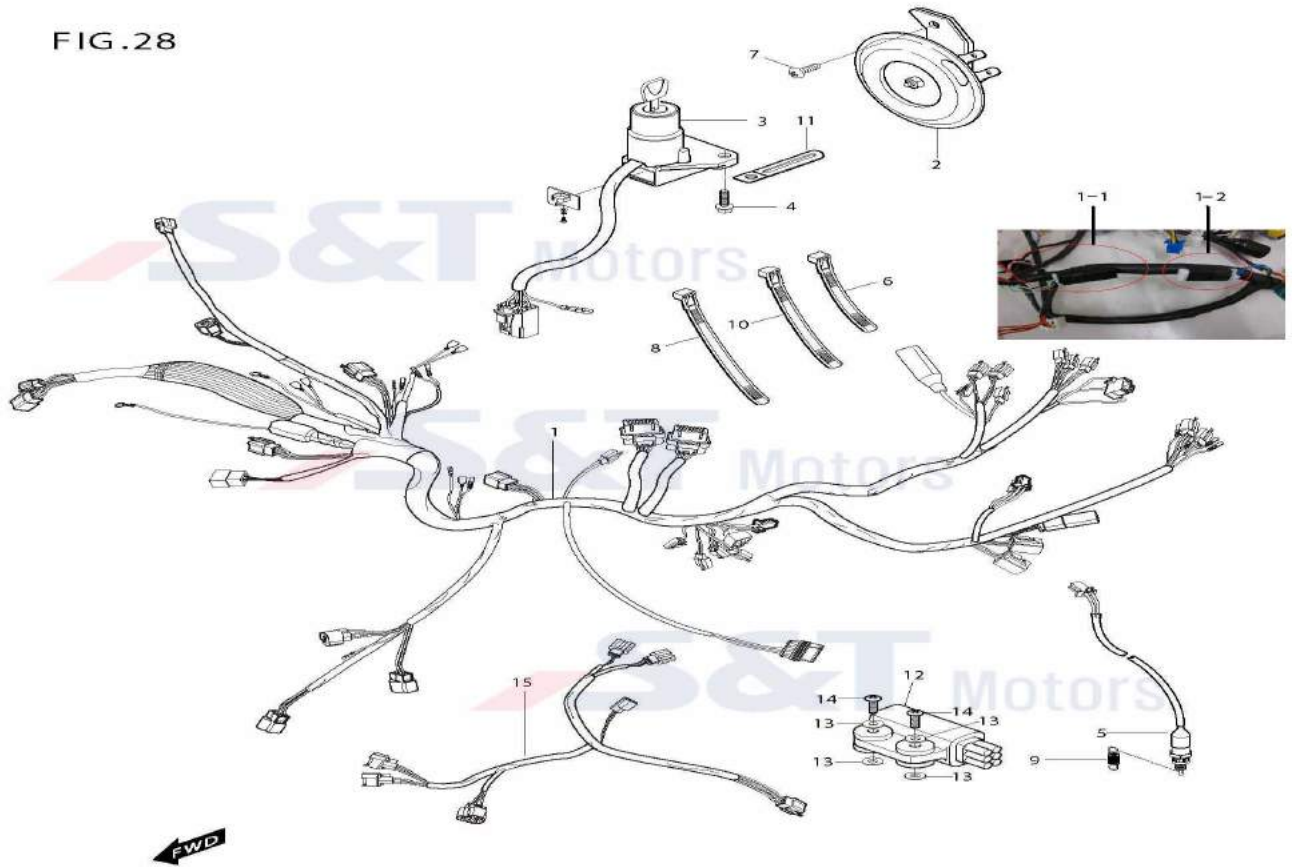
16	24321HN9101	GEAR,2ND DRIVEN (GT650)	1
17	09380H25001	CLIP,CLUTCH HOUSING (GT650)	1
18	24331HN9101	GEAR,3RD DRIVEN (GT650)	1
19	09167H25001	WASHER,6TH DRIVE GEAR (GT650)	1
20	24341HN9100	GEAR,4TH DRIVEN (GT650)	1
21	24351HN9101	GEAR,5TH DRIVEN (GT650)	1
22	09167H25002	WASHER,3RD & 4TH DRIVEN GR(GT6	1
23	08113-62030	BEARING,DRIVE SHAFT 6203C3	1
24	08123-63050	BEARING,DRIVEN SHAFT L (GT650)	1
25	09380H25001	CLIP,CLUTCH HOUSING (GT650)	1
26	09167H25001	WASHER,6TH DRIVE GEAR (GT650)	1
27	09282H36002	SEAL,DRIVE SHAFT OIL (GT650)	1
28	24751HN9100	RETAINER,DRIVE SHAFT O/SEAL(GT	1
29	01107-06106	BOLT,DR SH RETAINER	1
30	27510HN9100	SPROCKET COMP,E/G 15T(#525)(GT	1
31	27531HN9100	SPACER,ENGINE SPROCKET (GT650)	1
32	09280H24001	O-RING,ENGINE SPROCKET (GT650)	1
33	09167H25004	WASHER,ENGINE SPROCKET (GT650)	1
34	27600HN9100	CH/ASS'Y,DRIVE 108L(#525)(GT65	1
35	09380H25001	CLIP,CLUTCH HOUSING (GT650)	1
36	24261HN9101	GEAR,6TH DRIVE (GT650)	1
37	09181H17001	SHIM,DRIVE SHAFT (GT650)	1
38	09380H25001	CLIP,CLUTCH HOUSING (GT650)	1
39	09380H22001	CIRCLIP,2ND DRIVE (GT650)	1
40	24761HN9102	PIPE,TRANSMISSION OIL (GT650)	1
41	24741HN9100	RETAINER,COUNTER SHAFT BG(GT65	1
42	02112-06128	SCREW,COUNTER SHAFT	1
43	24252HN9100	BUSH,5TH DRIVE GEAR (GT650)	1
44	09181H25001	SHIM,5TH DRIVE GEAR (GT650)	1
45	24332HN9100	BUSH,3RD/4TH DRIVEN GEAR(GT650)	1
46	09167H25003	WASHER,THRUST LOCK (GT650)	1
47	24332HN9100	BUSH,3RD/4TH DRIVEN GEAR(GT650)	1
48	24322HN9100	BUSH,2ND DRVN GEAR (GT650)	1
49	24262HN9100	BUSH,6TH DRIVE GEAR (GT650)	1
50	09167H25001	WASHER,6TH DRIVE GEAR (GT650)	1
51	24125-38201	BUSH,COUNTER SHAFT	2

FIG.15



SEQ	PART CODE	PART NAME	U/S	REMARK
1	17400HN9104	PUMP ASS'Y,WATER (GT650)	1	
1-1	17400HP9502121	PUMP ASSY,WATER (GT650)	1	MY 14 (November, 2013~)
2	01547-06308	BOLT,MAGNET&CLUTCH COVER (EZ)	2	
3	17491HN9100	HOSE,WATER PUMP OUTLET (GT650)	1	
4	09401H26402	CLAMP,WATER PUMP HOSE (GT650)	2	
5	17521HN9105	GEAR WATER PUMP (TE450)	1	
6	08221-10185	SHIM,OIL PUMP DRVN GEAR (GT650)	1	
7	08331-31109	CIRCLIP (GV)	1	
8	09261H04001	PIN,OIL PUMP DRIVEN GEAR(GT650)	1	

FIG.28



SEQ	PART CODE	PART NAME	U/S	REMARK
1	36610HB9702	HARNESS, WIRING (GT650RN)	1	
2	38500HM8110	HORN ASSY	1	
3	37000HP9200	KEY SET (GT650S)	1	
4	01517-06308	BOLT,STEERING LOCK NO1	2	
5	37740HN9100	SWITCH ASS'Y,REAR STOP (GT650)	1	
6	09407-14403	CLAMP,STRNINER(125MM) (EZ)	7	
7	09106H06150	WRENCH BOLT 6*15MM (GT650)	1	
8	09407-22402	CLAMP,WIRING HARNESS (EZ)	1	
9	09443H06006	SPRING STOP LAMP SWITCH (GA)	1	
10	09407-254A1	BAND,CABLE	1	
11	09404-06404	CLAMP,WIRING HARNESS	1	
12	37890HP8810	SENSOR,TIP OVER (GT650REI)	1	
13	09160H04005	WASH, TIP OVER SENSOR(GT650RN)	4	
14	09125H04025	SCREW,TIP OVER SENSOR(GV650FI)	2	
15	17660HB9701	LEAD WIRE,SENSOR PART(GT650RN)	1	