

GT250WH



GT250BK



GT250TR

FIG 1-1. CYLINDER HEAD/ (FRONT)

REF. NO.	PARTS NAME	Q'TY
----------	------------	------

1	11110HR8610PCH	HEAD ASS'Y, cylinder	1
2	11171HG5102121	COVER,cylinder head	1
3	11173HG5100	GASKET,cylinder head cover NO.1	8
4	09168-08021	GASKET, cylinder head bolt	4
5	12782-35C00	GUIDE, camchain NO.2	2
6	09390-35001	C-RING, camshaft	8
7	09206-08001	PIN, camshaft housing knock	1
8	01517-06128	BOLT, oil galley(M6X12)	4
9	09168H06019	GASKET,oil galley bolt	4
10	09103-06013	BOLT, camshaft housing(M6X20)	4
11	09482-00456	PLUG,spark CR8E	1
12	09109H07018	BOLT, cylinder head cover(M7X17.5)	3
13	09161H11008	WASHER, cylinder head cover	1
14	09103H08306	BOLT, cylinder head (L=130)	1
15	11178-17E00	GASKET, cylinder head cover NO.2	4
16	01421-06258	BOTL,cylinder head stud(M6x25)	1
17	11121-35C00PCH	HOUSING, camshaft No.1	4
18	11122-35C00PCH	HOUSING, camshaft No.2	1
19	11123-35C00PCH	HOUSING, camshaft No.3	1
20	11124-35C00PCH	HOUSING, camshaft No.4	1

FIG 1-1

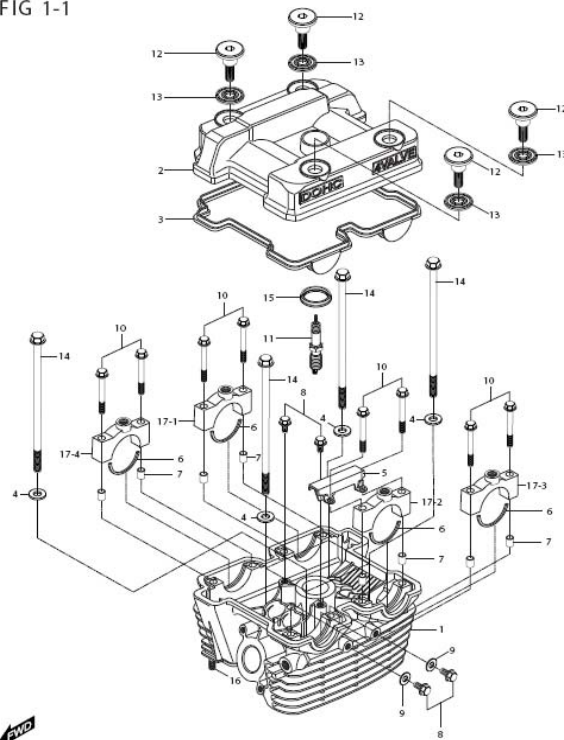


FIG 1-2. CYLINDER HEAD/ (REAR)

REF. NO.	PARTS NAME	Q`TY
----------	------------	------

1	11110HR8610PCH HEAD ASS'Y, cylinder	1
2	11171HG5102121 COVER,cylinder head	1
3	11173HG5100 GASKET,cylinder head cover NO.1	8
4	09168-08021 GASKET, cylinder head bolt	4
5	12782-35C00 GUIDE, camchain NO.2	2
6	09390-35001 C-RING, camshaft	8
7	09206-08001 PIN, camshaft housing knock	1
8	01517-06128 BOLT, oil galley(M6X12)	4
9	09168H06019 GASKET,oil galley bolt	4
10	09103-06013 BOLT, camshaft housing(M6X20)	4
11	09482-00456 PLUG,spark CR8E	1
12	09109H07018 BOLT, cylinder head cover(M7X17.5)	3
13	09161H11008 WASHER, cylinder head cover	1
14	09103H08306 BOLT, cylinder head (L=130)	1
15	11178-17E00 GASKET, cylinder head cover NO.2	4
16	01421-06258 BOTL,cylinder head stud(M6x25)	1
17	11121-35C00PCH HOUSING, camshaft No.1	4
18	11122-35C00PCH HOUSING, camshaft No.2	1
19	11123-35C00PCH HOUSING, camshaft No.3	1
20	11124-35C00PCH HOUSING, camshaft No.4	1

FIG 1-2

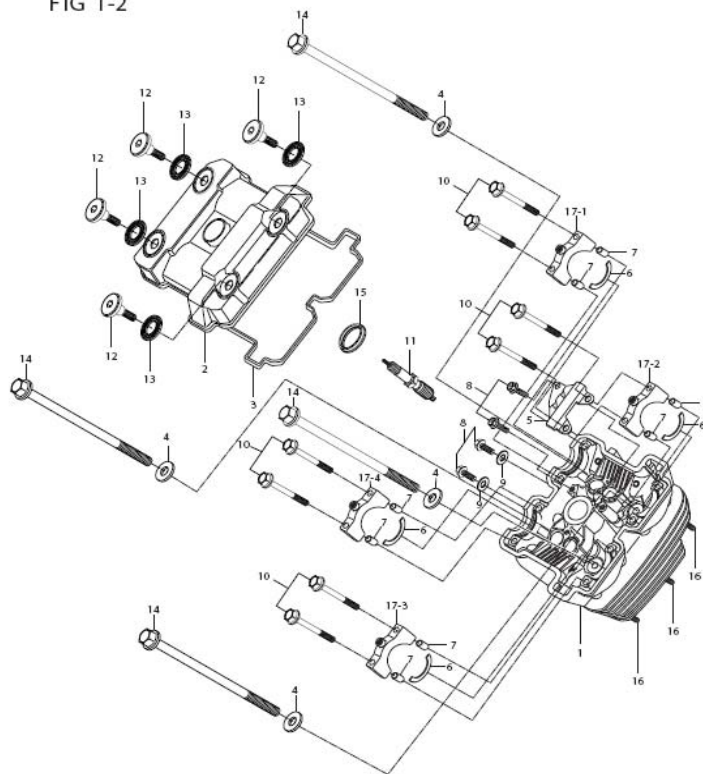


FIG 2. CYLINDER/FRONT, REAR

REF. NO.	PARTS NAME	QTY
----------	------------	-----

1	11220HR8600PCY	CYLINDER COMP, rear	1
2	11141HJ8210	GASKET, cylinder head	1
3	11241HG5103	GASKET, cylinder	1
4	04213-11169	PIN, cylinder head knock	2
5	11210HR8600PCY	CYLINDER COMP, front	1
6	11141HJ8210	GASKET, cylinder head	1
7	11241HG5103	GASKET, cylinder	1
8	04213-11149	KNOCK PIN, cylinder	2
9	04213-11149	KNOCK PIN, cylinder	2
10	04213-11169	PIN, cylinder head knock	2
11	11251HG5100121	FIN, cylinder (FRONT)	1
12	07110-05168	BOLT, cylinder fin (FRONT)	2
13	11251HG5100121	FIN, cylinder (REAR)	1
14	07110-05168	BOLT, cylinder fin (REAR)	2
15	08310-16068	NUT,cylinder head(116)	10
16	01421-06258	BOLT,cylinder stud	4

FIG 2

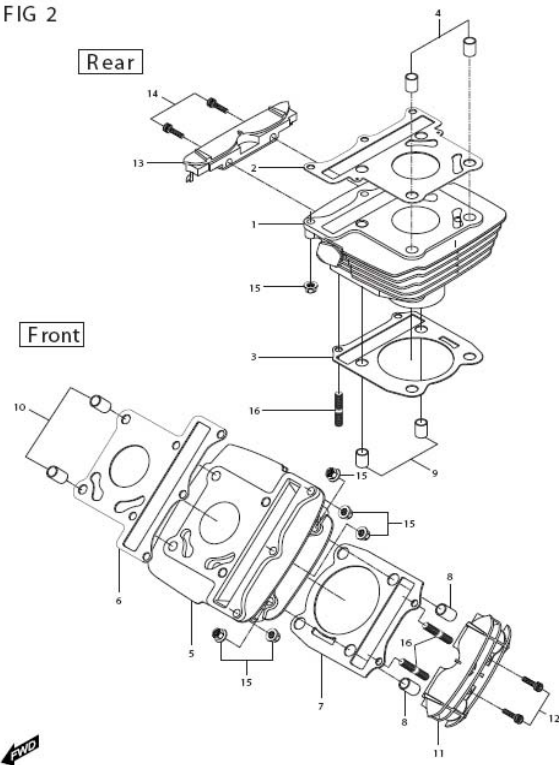
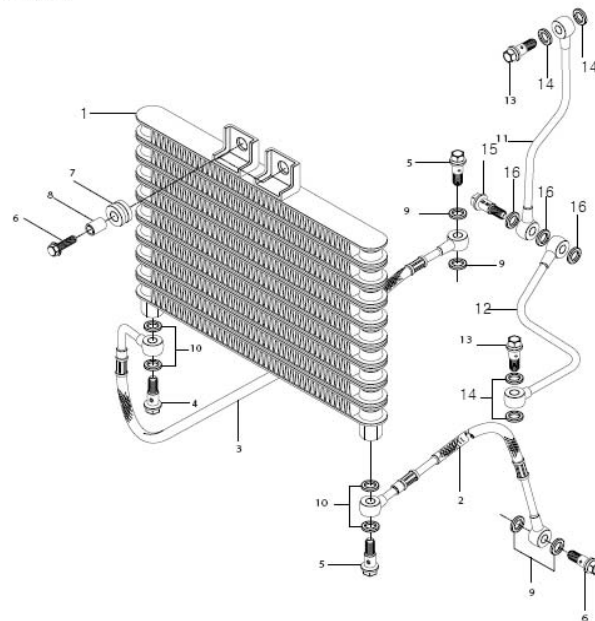


FIG 3. OIL COOLER

REF. NO.	PARTS NAME	Q'TY
----------	------------	------

1	16600HJ8200	COOLER ASS'Y, oil	1
2	16460HG5120	HOSE COMP, oil cooler NO.1	1
3	16470HJ8200	HOSE COMP, oil cooler NO.2	1
4	09360H12007	BOLT, oil cooler hose union NO.2	2
5	09360H10034	BOLT, oil cooler hose union NO.1	2
6	01102-06258	BOLT, oil cooler	2
7	09320-10015	CUSHION, oil cooler	2
8	09180-06030	SPACER, oil cooler	2
9	09161-10009	GASKET, oil cooler NO.1	4
10	09168-14011	GASKET, oil cooler NO.2	4
11	11280HJ8200	PIPE COMP, oil front	1
12	11290HG5101	PIPE COMP, oil rear	1
13	09360H10034	UNION BOLT, oil pipe upper	2
14	09161-10009	GASKET, oil pipe upper	4
15	15331HG5101	UNION BOLT, oil pipe lower	1
16	09161-10009	GASKET, oil pipe lower	3

FIG 3



FWD

FIG 4. CRANK CASE

REF. NO.	PARTS NAME	Q'TY
----------	------------	------

1	11320HJ8203121	CRANKCASE COMP, L	1
2	11310HJ8203121	CRANKCASE COMP, R	1
3	09364-12001	UNION, breather hose	1
4	09103H10022	BOLT, frame & engine l=110	3
5	08319-31108	NUT, frame & engine	3
6	04213-13189	PIN, crankcase knock	2
7	11319-05200	PLATE, oil gallery plug	1
8	01107-06106	BOLT, oil gallery plug plate	1
9	01547-06558	BOLT, crankcase	6
10	01547-06808	BOLT, crankcase	5
11	02112-06908	SCREW,crankcase	1
12	09401-14301	CLIP,breather drain cap	1
13	13870H29B00	CAP COMP,breather drain	1
14	09404-06404	CLAMP, crankcase	2

FIG 4

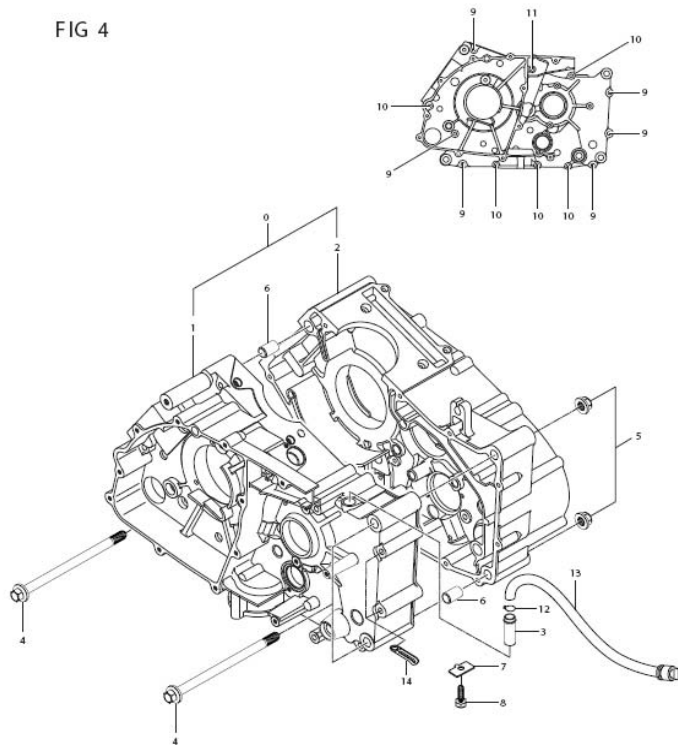


FIG 5. CRANK CASE COVER

REF. NO.	PARTS NAME	Q`TY
----------	------------	------

1	11341HJ8200121	COVER COMP, clutch
2	11351HJ8203121	COVER , magneto
3	11482HG5102	GASKET, clutch cover (NA)
4	11483HG5102	GASKET, magneto cover
5	09247-14026	PLUG, oil check
6	09168H14003	GASKET, oil check plug
7	09259-20010	PLUG, eng oil filler
8	09280-17003	O-RING, eng oil filler plug
9	04213-13189	PIN, clutch cover knock
10	04213-09129	PIN,magneto cover knock
11	01547-06308	BOLT, magneto cover
12	01547-06708	BOLT, magneto cover
13	09403H09304	CLAMP, clutch cable
14	09259-2601503S	PLUG, crankshaft hole
15	09280-22008	O-RING, crankshaft hole plug
16	01547-06258	BOLT, clutch cover
17	01547-06358	BOLT, clutch cover
18	01547-06608	BOLT, clutch cover
19	01547-06758	BOLT, clutch cover
20	09247H12102	PLUG, TDC
21	09168H12003	GASKET, T.D.C plug
22	11360HM8101121	COVER COMP, engine sprocket
23	01547-06308	BOLT, engine sprocket cover
24	01547-06408	BOLT, engine sprocket cover
25	08321-31068	WASHER, engine sprocket cover

FIG 5

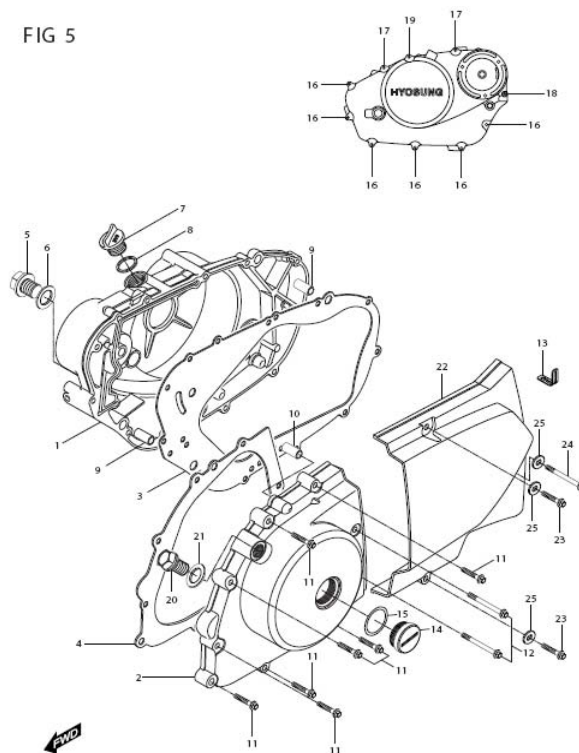


FIG 6. CRANK SHAFT

REF. NO.	PARTS NAME	Q'TY
----------	------------	------

1	12200HJ8200HPA	CRANK SHAFT ASS'Y	1
2	12161HJ8200	ROD, connecting	1
3	09263H30002	BEARING, crank pin	2
4	12211HJ8202HPA	PIN, crank	1
5	12221HJ8203CSA	CRANK SHAFT, R	1
6	12261HJ8203CSA	CRANK SHAFT, L	1
7	09262H350A60AO	BEARING, crank shaft, R	1
8	09262H350A60AO	BEARING, crank shaft, L	1
9	21111HJ8201	GEAR, primary drive	1
10	21112HJ8200	GEAR, primary drive NO.2	1
11	09421H05001	KEY, primary drive gear	1
12	21114-35C00	SPRING,primary drive gear	3
13	09166H16021	WASHER, primary drive gear thrust	1
14	09140-16019	NUT,primary drive gear	1
15	09282-12001	SEAL, crank shaft oil rh	1
16	12111HM8101PPS	PISTON,rear	1
17	12151-30B00	PIN, piston	1
18	09381-15001	CIRCLIP, piston pin	2
19	12140-16E00	RINGSET, piston	2
20	12141-16E00	RING, piston 1st	1
21	12142-16E00	RING, piston 2nd	1
22	12144-16E00	RING, piston oil	1

FIG 6

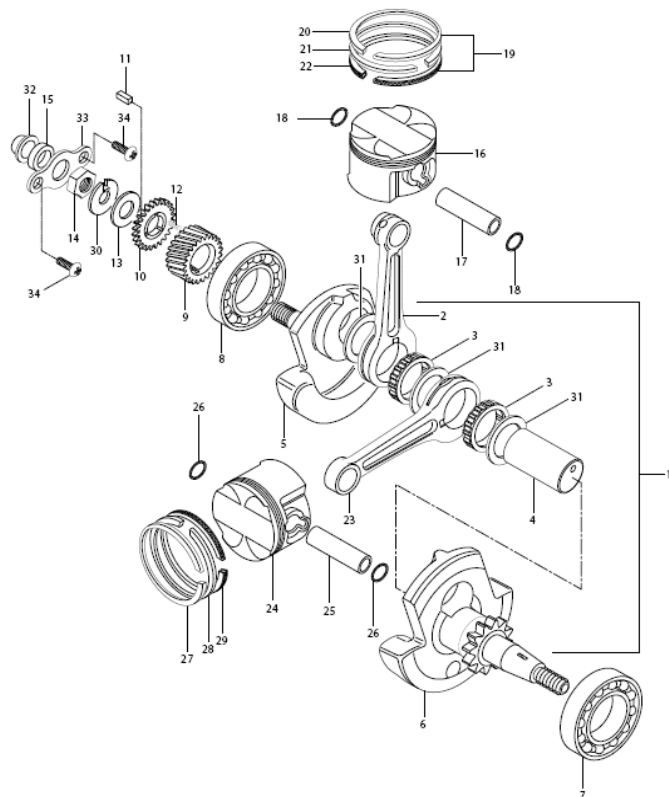


FIG 6. CRANK SHAFT

REF. NO.	PARTS NAME	Q'TY
----------	------------	------

23	12161HJ8200	ROD, connecting	1
24	12111HM8101PPS	PISTON,front	1
25	12151-30B00	PIN, piston	1
26	09381-15001	CIRCLIP, piston pin	2
27	12141-16E00	RING, piston 1st	1
28	12142-16E00	RING, piston 2nd	1
29	12144-16E00	RING, piston oil	1
30	09166H16032	WASHER,primary drive gear lock	1
31	09160H30001	WASHER	3
32	11342HJ8200	JET	1
33	11343HG5100	RETAINER	1
34	02112-06108	SCREW	2

FIG 6

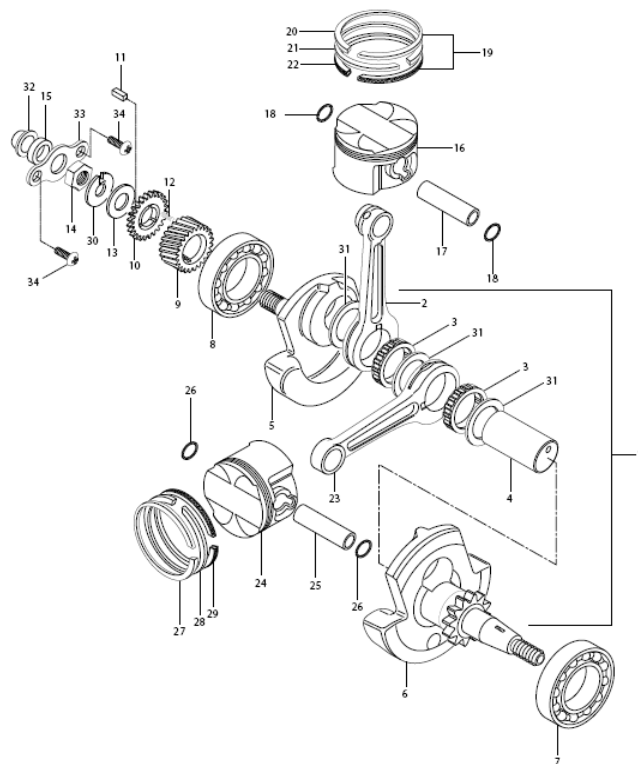
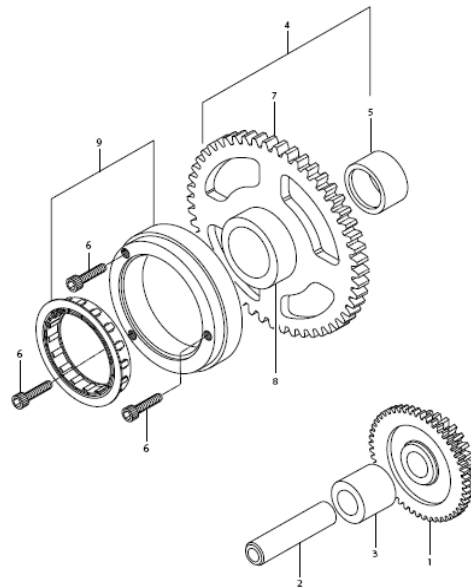


FIG 7. STARTER CLUTCH

REF. NO.	PARTS NAME	Q`TY
-------------	------------	------

1	12611HJ8200	GEAR, starter idle	1
2	12612HG5100	SHAFT,starter idle gear	1
3	09180-13006	SPACE, starter idle gear	1
4	12620HJ8204	GEAR COMP, starter clutch	1
5	09304H25002	BUSH, starter clutch gear	1
6	07110-08258	BOLT, starter clutch	3
7	12622HJ8201	GEAR, starter clutch	1
8	12621HJ8200	RACE, starter clutch gear inner	1
9	12614HS5000	CLUTCH, starter one way	1

FIG.7



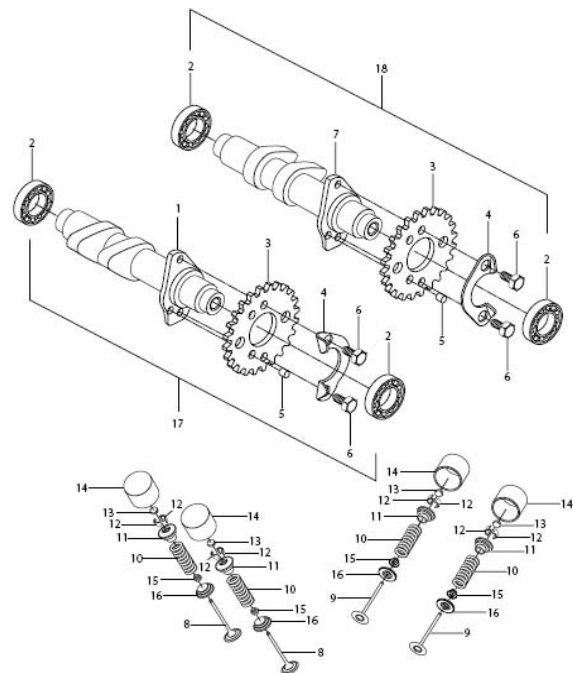
← PWD

FIG 8-1. CAMSHAFT REAR

REF. NO.	PARTS NAME	Q'TY
----------	------------	------

1	12711HM8100888	CAMSHAFT, intake rear	1
2	09262-17019	BEARING, camshaft rear (22.4X29.6X8)	4
3	12742HJ8200	SPROCKET, camshaft rear	2
4	12747-44B00	WASHER, sprocket rear	2
5	09261-05005	PIN, sprocket rear	2
6	09111-06032	BOLT, sprocket rear (M6X10)	4
7	12721HJ8200888	CAMSHAFT, exhaust rear	1
8	12911HJ8200	VALVE, intake rear	2
9	12912HJ8200	VALVE, exhaust rear	2
10	12921HJ8200	SPRING, valve rear	4
11	12931HJ8200	RETAINER, valve spring rear	4
12	12932HJ8200	COTTER, valve rear	8
13	12892-05C00(#170)	SHIM, tappet rear	4
14	12881HJ8200	TAPPET, rear	4
15	09289H04002	SEAL, valve stem oil rear (4X7.2X8)	4
16	12933HJ8200	SEAT, valve spring rear	4
17	12720HJ8200HPA	CAMSHAFT ASS'Y, rear intake	1
18	12750HJ8201HPA	CAMSHAFT ASS'Y, rear exhaust	1
19	11115E33D01	VALVE GUIDE IN	2
20	11114HG5100	VALVE GUIDE OUT	2

FIG 8-1



FWD

FIG 8-2. CAMSHAFT FRONT

REF. NO.	PARTS NAME	Q`TY
----------	------------	------

1	12711HJ8200888	CAMSHAFT, intake front	1
2	09262-17019	BEARING, camshaft front (22.4X29.6X8)	4
3	12741H16E00	SPROCKET, camshaft front	2
4	12747-44B00	WASHER, sprocket front	2
5	09261-05005	PIN, sprocket front	2
6	09111-06032	BOLT, sprocket front (M6X10)	4
7	12721HJ8200888	CAMSHAFT, exhaust front	1
8	12911HJ8200	VALVE, intake front	2
9	12912HJ8200	VALVE, exhaust front	2
10	12921HJ8200	SPRING, valve front	4
11	12931HJ8200	RETAINER, valve spring front	4
12	12932HJ8200	COTTER, valve front	8
13	12892-05C00(#170)	SHIM, tappet front	4
14	12881HJ8200	TAPPET, front	4
15	09289H04002	SEAL, valve stem oil front (4X7.2X8)	4
16	12933HJ8200	SEAT, valve spring front	4
17	12710HJ8200HPA	CAMSHAFT ASS'Y, front intake	1
18	12730HJ8200HPA	CAMSHAFT ASS'Y, front exhaust	1
19	11115E33D01	VALVE GUIDE IN	2
20	11114HG5100	VALVE GUIDE OUT	2

FIG 8-2

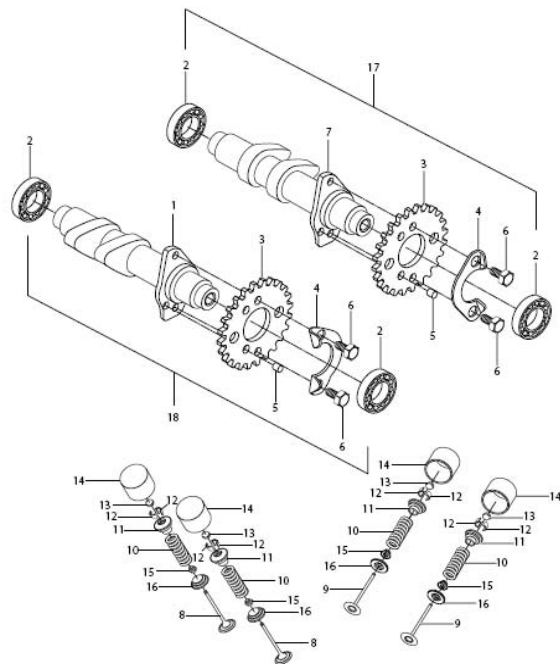


FIG 9. CAM CHAIN

REF. NO.	PARTS NAME	Q`TY
----------	------------	------

1	12760-16E00	CHAIN COMP, camshaft drive	2
2	12771-16E00	GUIDE, camchain NO.1	2
3	12811HJ8200	TENSIONER, camchain	4
4	08211-06181	WASHER, camchain tensioner bolt	2
5	12812H35C00	BOLT, camchain tensioner	2
6	12837HP7600	GASKET, tensioner adjuster	2
7	12830H88600	ADJUSTER ASS`Y, tensioner	2
8	07110-06208	BOLT, tensioner adjuster	2
9	12839HN9120	SCREW, tensioner adjuster	2
10	12838HP7600	O-RING, adjuster	2

FIG 9

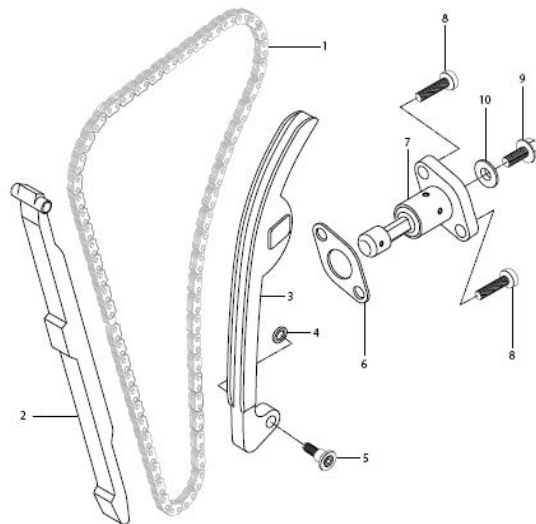


FIG 10. THROTTLE ASS`Y

REF. NO.	PARTS NAME	Q`TY
----------	------------	------

0	13400HR8601	BODY ASS`Y, throttle	1
1	13410HR8600	BODY COMP, throttle	2
2	13110HR8600	PIPE COMP, intake front	1
3	13120HR8600	PIPE COMP, intake rear	1
4	15710HR8601	INJECTOR	2
5	37920H88600	SENSOR, intake air pressure	2
6	13129HR8600	INSULATOR	2
7	09280H34000	O-RING, intake pipe	4
8	09128H06020	SCREW, intake pipe	4
9	13480HR8600	BRACKET COMP, puel hose jiont	1
10	15911HP9300	JOINT, fuel hose	1
11	09169H06078	WASHER, fuel hose joint	1
12	01517-06125	BOLT, joint	1
13	15870HR8600	HOSE ASS`Y, fuel injector joint No1.	1
14	15880HR8600	HOSE ASS`Y, fuel injector joint No2.	1
15	13580H88600	TPS	1

FIG.10

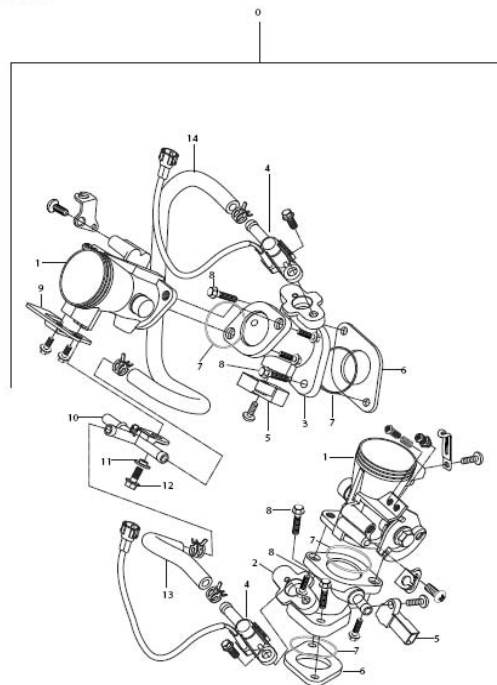


FIG 10-1. 2ND AIR VALVE

REF. NO.	PARTS NAME	Q`TY
----------	------------	------

1	18500H89800	VALVE ASS'Y, 2nd air	1
2	18651HR8600	HOSE, 2nd air cleaner	1
3	18581HR8600	HOSE, 2nd reed valve	1
4	18641H88600	HOSE, 2nd air pipe rear	1
5	18631H88600	HOSE, 2nd air pipe front	1
6	18610HM8130	PIPE COMP, 2nd air front	1
7	18615HN9101	GASKET, 2nd air pipe	2
8	18560HR8600	VALVE ASS'Y, reed	1
9	18610HJ8290	PIPE COMP, 2nd air rear	1
10	09128-06005	BOLT, 2nd air pipe	4
11	18570HR8600	BRACKET COMP, reed valve	1
12	01517-06125	BOLT, reed valve bracket	2
13	01547-06208	BOLT, reed valve	2
14	09401H10401	CLAMP, 2nd air cleaner hose	3
15	09401H13401	CLAMP, 2nd air pipe hose	5

FIG.10-1

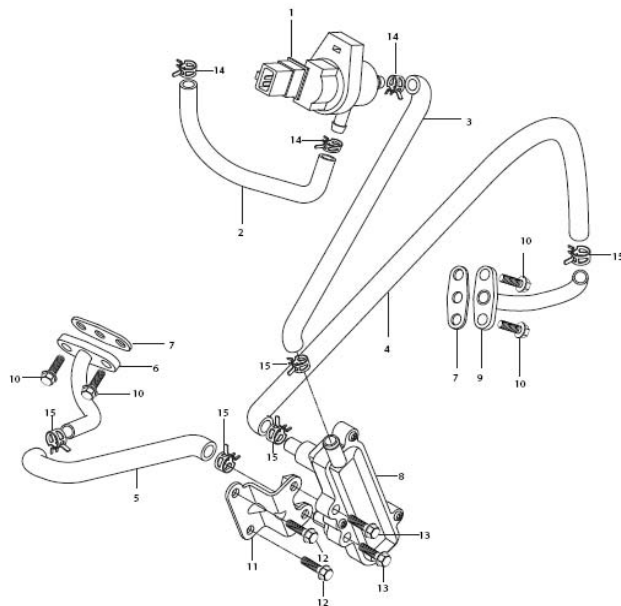


FIG 11. AIR CLEANER&CHAMBER

REF. NO.	PARTS NAME	Q'TY
----------	------------	------

1	13700HR8601	CLEANER ASS'Y, air	1
2	13721HR8602	CASE, air cleaner	1
3	13740HM8101	CAP COMP, air cleaner	1
4	13780HM8100	FILTER COMP, air cleaner	1
5	13881HR8400	TUBE, outlet	2
6	09402-56208	CLAMP, outlet tube	2
7	13895HF4500	PLUG, oil drain	2
8	09401-14301	CLIP, oil drain plug	2
9	02142-05165	SCREW, air cleaner filter	4
10	09280-14003	O-RING, isc No.1	1
11	37945HR8601	INSERT, isc	1
12	37941HR8410	SOLENOID, isc	1
13	03241-05203	SCREW, isc	2
14	37930H89300	SENSOR, iat	1
15	03241-04125	SCREW, iat	2
16	18731HR8601	HOSE, isc No.1	1
17	18741HP9300	HOSE, isc No.2	1
18	09401H10401	CLAMP, isc air cleaner hose	2
19	09401-10401	CLIP, isc hose	2
20	09440-13019	SPRING, compression	2

FIG.11

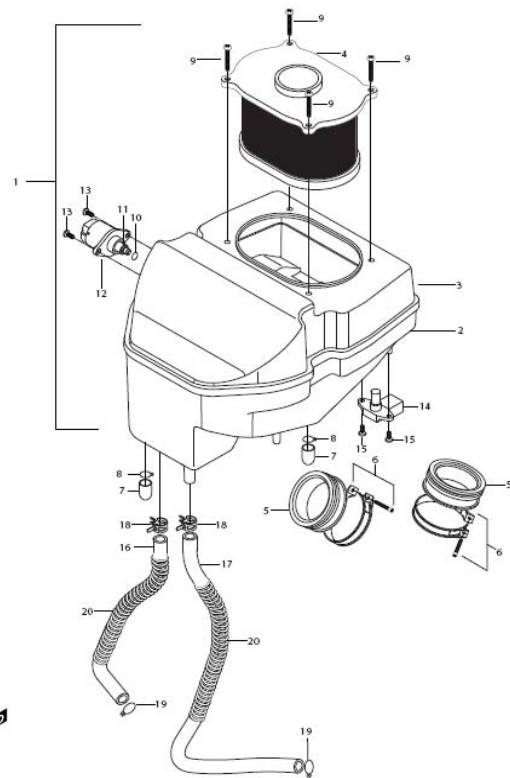


FIG 12. MUFFLER

REF. NO.	PARTS NAME	Q'TY
----------	------------	------

0	14300HR8600PLH	MUFFLER, ASS'Y	1
1	14310H886000BF	BODY COMP, muffler	1
2	14160HR8600PAM	PIPE COMP, exhaust rear	1
3	14150HM8105PAM	PIPE COMP, exhaust front	1
4	14411HM8100	BRACKET, muffler support	1
5	14314HM8110	GASKET, connector flange	1
6	14770HG5101PAM	CONNECTOR COMP, exhaust pipe	1
7	09160-10001	WASHER, exhaust pipe connector	1
8	14773HG5101	GASKET, connector exhaust pipe	1
9	01137-08358	BOLT, connector exhaust pipe	1
10	01421-08258	STUD BOLT, exhaust pipe	4
11	09143H08001	NUT, exhaust pipe	4
12	07110-10358	BOLT, muffler support	1
13	09160-10102	WASHER, muffler support	1
14	08316-26108	NUT, muffler support rear	1
15	09119H06002	BOLT, connector flange	4
16	01137-08168	BOLT, muffler chamber bracket	1
17	14181-46E00	GASKET, exhaust pipe	2
18	37950H89300	SENSOR ASS'Y, oxygen	1

FIG 12

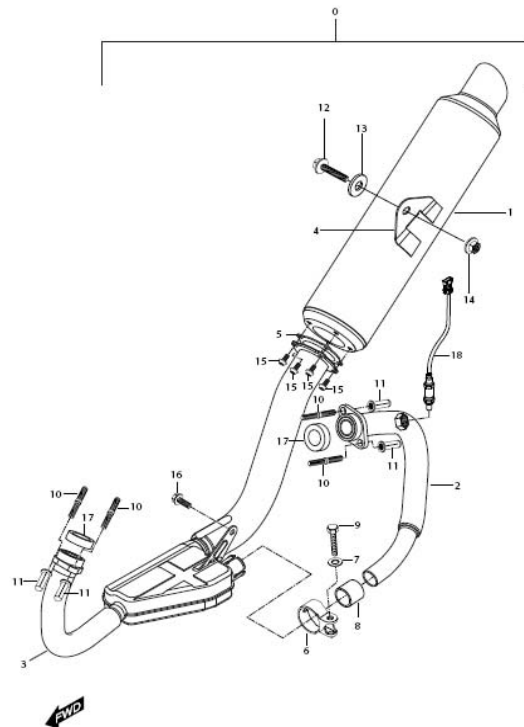


FIG 13. OIL PUMP

REF. NO.	PARTS NAME	Q'TY
----------	------------	------

1	16400HG5102	PUMP ASSY, oil	1
2	16331HG5102	GEAR, oil pump driven	1
3	09261-02001	PIN, oil pump driven gear	1
4	08332-11069	CIRCLIP, oil pump driven gear	1
5	02112-06258	SCREW, oil pump	3
6	16520-05202	STRAINER COMP, engine oil	1
7	02112-95126	SCREW, engine oil strainer	2
8	16523-05200	CAP, oil strainer	1
9	09280-60005	O-RING, strainer cap	1
10	01547-06208	BOLT, oil strainer cap	3
11	09247H14019	PLUG, oil drain	1
12	09168H14003	GASKET, drain plug	1
13	16510-05240HAS	FILTER COMP, engine oil	1
14	09280-13004	O-RING, oil filter	1
15	16512HG5100121	CAP, oil filter	1
16	09280-54001	O-RING, oil filter cap	1
17	09440-18002	SPRING, oil filter cap	1
18	01421-06128	BOLT, oil filter cap stud	2
19	08313-11068	NUT, oil filter cap	3
20	01421-06658	BOLT, oil filter cap stud	1
21	16419HG5100	BUSH, oil pump	1
22	09206-08001	PIN, oil pump knock	1
23	08331-31109	CIRCLELIP	1
24	08211-10181	WASHER	1
25	09180H10022	SPACER	1
26	16451HG5101	SHAFT, oil pump idle gear	1
27	16431HG5104	GEAR, oil pump idle	1

FIG 13

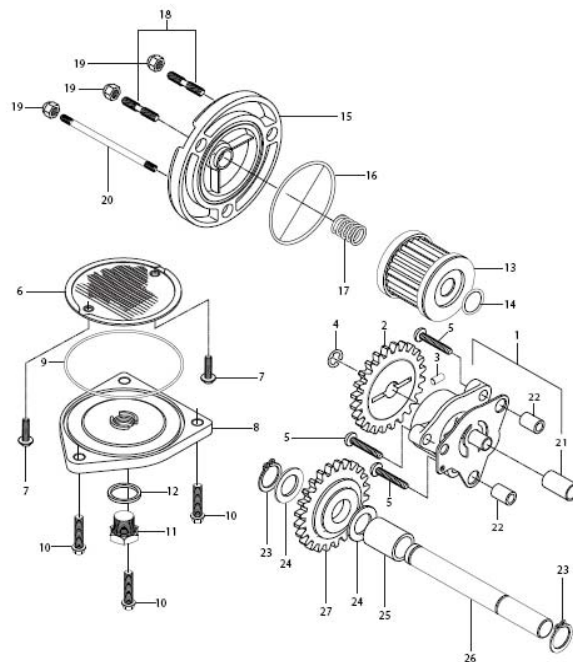


FIG 14. CLUTCH ASS'Y

REF. NO.	PARTS NAME	Q'TY
----------	------------	------

1	21200HJ8200HPA	GEAR ASS'Y, primary driven	1
2	02142-06108	STOPPER, clutch release camshaft oil	1
3	21411HJ8202	HUB, clutch sleeve	1
4	09140-16014	NUT, clutch sleeve hub	1
5	09169H16001	WASHER, clutch sleeve hub	1
6	09167H18001	THRUST WASHER, clutch sleeve hub	1
7	21441HJ8201	PLATE, clutch drive	6
8	21451HJ8201	PLATE, clutch driven	5
9	21462HJ8201	DISK, clutch pressure	1
10	09440H16003	SPRING, clutch	5
11	09116H05001	BOLT, clutch spring	5
12-1	23110HJ8202	ROD COMP, clutch push	1
12-2	23115HN9100	ROD COMP, clutch push	1
12-3	23113HJ8200	ROD COMP, clutch push	1
13	23121-38201	PIECE, clutch push	1
14	23122HG5100	CAM SHAFT, clutch release	1
15	08211-10201	THRUST WASHER, clutch release camsh	1
16	09160-15015	THRUST WASHER, clutch release	1
17	09263H15001	THRUST BEARING, clutch release	1
18	09282-10007	OIL SEAL, clutch release camshaft(10x20	1
19	09134-06010	SCREW, clutch release adjuster	1
20	08310-22068	NUT, clutch release adjust	1
21	23271HJ8250	ARM, clutch release	1
22	01107-06168	BOLT, clutch release arm	1

FIG 14

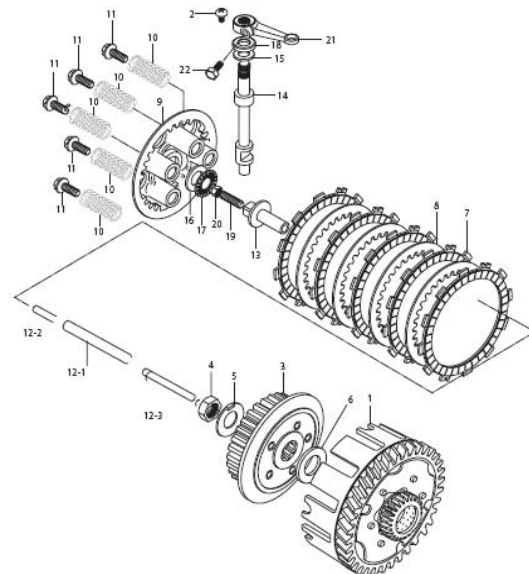


FIG 15. TRANSMISSION

REF. NO.	PARTS NAME	QTY
----------	------------	-----

0	24200SJ8200HPA	MISSION GEAR SET	1
1	24130HJ8200HPA	SHAFT COMP, drive	1
2	24121HJ8200HPA	SHAFT, counter	1
3	24125-38201	BUSH, counter shaft	1
4	24221HJ8201	GEAR, 2nd drive	1
5	24241HJ8200	GEAR, 4th drive	1
6	24251HJ8202	GEAR, 5th drive	1
7	09380H20001	CIRCLIP, 5th drive gear	1
8	08110-62050	BEARING,counter shaft R(#6205)	1
9	09263H17001	BEARING,counter shaft L	1
10	24741HG5100	RETAINER, counter shaft bearing	1
11	02122-06128	SCREW, counter shaft bearing rtng	1
12	09140-16017	NUT, engine sprocket	1
13	24311HJ8200	GEAR, 1st driven	1
14	08211-17261	THRUST WASHER, 1st driven gear L	1
15	09263H17008	BEARING,1st driven gear	1
16	24320HJ8200	GEAR COMP, 2nd driven	1
17	09380H20001	CIRCLIP, 4th driven gear	2
18	24331HJ8200	GEAR, 3rd driven	1
19	09167H18002	THRUST WASHER, 4th driven gear	2
20	24341HJ8200	GEAR, 4th driven	1
21	24351HJ8202	GEAR, 5th driven	1
22	24359-05200	WASHER, oil sealing	1
23	09160H20011	BEARING, drive shaft R	1
24	09262H22016	BEARING, drive shaft L	1
25	24741HG5100	RETAINER, drive shaft bearing	1

FIG.15

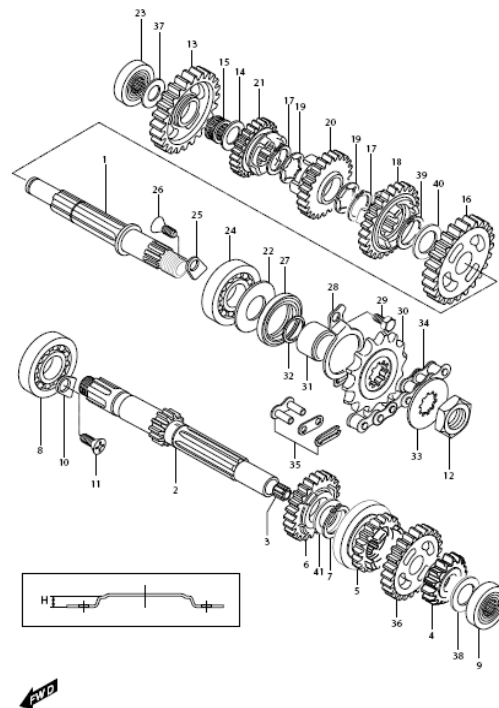


FIG 15. TRANSMISSION

REF. NO.	PARTS NAME	QTY
----------	------------	-----

26	02122-06128	SCREW, drive shaft bearing retainer	1
27	09283-27010	OIL SEAL, drive shaft	1
28	24751HG5102	RETAINER, drive shaft oil seal	1
29	01107-06106	BOLT, drive shaft oil seal retainer	2
30	27510HJ8201	SPROCKET COMP, engine 14T(#520)	1
31	27531HJ8201	SPACER,engine sprocket	1
32	09280-19005	O-RING, engine sprocket	1
33	09167-20012	LOCK WASHER, engine sprocket	1
34	27600HM8100	CHAIN ASS'Y, drive(#520)	1
35	27620H93B00	JOINT, chain	1
36	24230HJ8200	GEAR COMP, 3rd drive	1
37	08211-17301	WASHER, drive shaft thrust	1
38	08211-17301	WASHER, counter shaft thrust	1
39	09380H20001	CILCLIP, 2nd driven gear	1
40	08211-22281	WASHER, 2nd driven gear	1
41	08211-22281	WASHER, 5th drive gear thrust	1

FIG.15

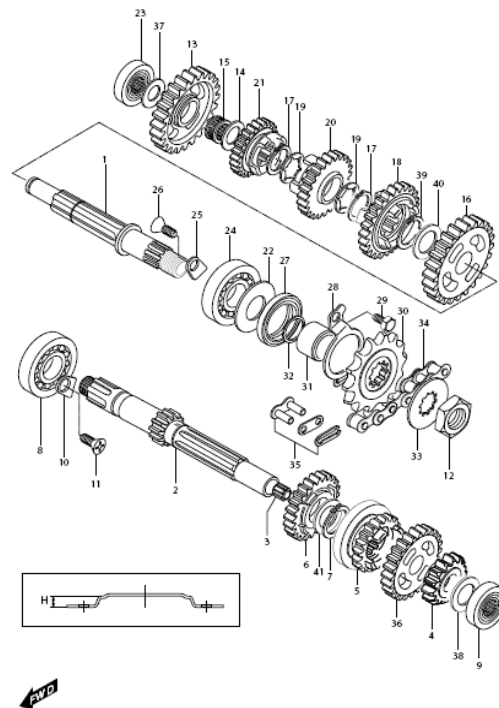


FIG 16. GEAR SHIFTING

REF. NO.	PARTS NAME	QTY
----------	------------	-----

1	25211HJ8200	FORK, gear shift No.1	1
2	25231HJ8200	FORK, gear shift No.3	1
3	25411-05201	SHAFT, gear shift fork No.1	1
4	25421-35403	SHAFT, gear shift fork No.2	1
5	25310HJ8200	CAM COMP, gear shift	1
6	08211-25401	WASHER, gear shift cam	1
7	25322-31301	GEAR, gear shift cam driven	1
8	25323-34201	PAWL, gear shift No.1	1
9	25324-34201	PAWL, gear shift No.2	1
10	09261-05003	PIN, gear shift pawl click	2
11	09440-04003	SPRING, gear shift pawl return	2
12	25331-30000	LIFTER, gear shift pawl	1
13	02122-06128	SCREW, gear shift pawl	2
14	25341HG5100	GUIDE, gear shift cam	1
15	02122-06128	SCREW, gear shift pawl lifter	2
16	25350HG5100	STOPPER COMP, gear shift cam	1
17	09111-06019	BOLT, gear shift cam stopper	1
18	08211-06141	WASHER, gear shift cam stopper	1
19	09440H11020	SPRING, gear shift cam stopper	1
20	09443H08044	SPRING, gear shift cam stopper arm	1
21	09223-04001	HOOK, gear shift shaft spring	1
22	25351-30010	STOPPER, gear shift cam neutral	1
23	25381-45400	PLATE, gear shift cam stopper	1
24	04221-04069	PIN, gear shift cam stopper plate	1
25	09247-14026	PLUG, gear shift cam stopper	1
26	09168H14003	WASHER, gear shift cam stopper plug	1
27	25510HG5101	SHAFT COMP, gear shift	1

FIG.16

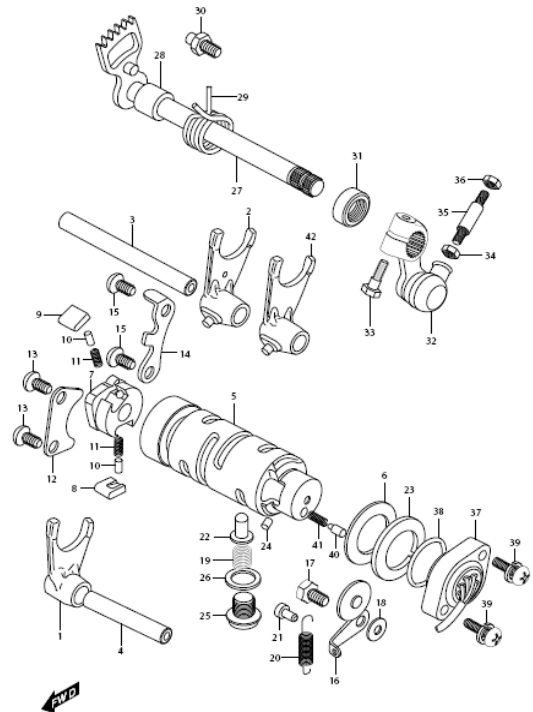


FIG 16. GEAR SHIFTING

REF. NO.	PARTS NAME	Q`TY
----------	------------	------

28	09180-12068	SPACER, gear shift shaft	1
29	09444-26013	SPRING, gear shift shaft return	1
30	25671-01000	STOPPER, gear shift arm	1
31	09285-12002	OIL SEAL, gear shift shaft	1
32	25520-32C00	ARM COMP, gear shift link	1
33	01107-06208	BOLT, gear shift link arm	1
34	08310-11068	NUT, gear shift link rod R	1
35	25525HR8320	ROD, gear shift link	1
36	09140-06011	NUT, gear shift link rod L	1
37	37720HR8600	SENSOR ASS'Y, gps	1
38	09280-26003	O-RING, gear shift switch	1
39	07110-05205	BOLT, gear position sensor	2
40	09209-05011	CONTACT, gear shift switch	1
41	09440-04010	SPRING, gear shift switch contact	1
42	25221HJ8200	FORK, gear shift No.2	1

FIG.16

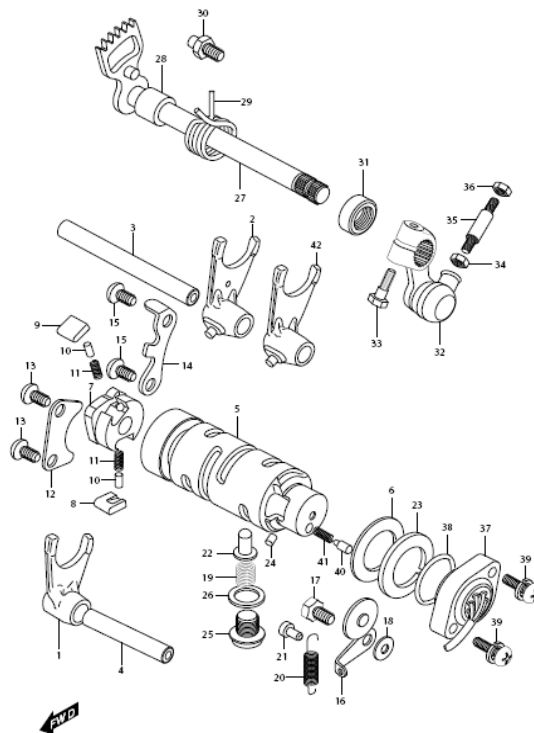


FIG 17. STARTING MOTOR

REF. NO.	PARTS NAME	Q'TY
-------------	------------	------

1	31100HG5100	MOTOR ASSY, starting	1
2	31310-11D10	.ARMATURE ASSY, starter	1
3	31110HD6300	.YOKE ASSY, starter	1
4	31150-42A01	.HOUSING ASSY, starter	1
5	31175HG5100	.FRAME ASSY, commutator	1
6	31281-32C10	.BOLT, through	2
7	31156-38300	.O-RING	2
8	09280-24003	.O-RING	1
9	31264-35C10	.O-RING	2
10	31153-49210	.SEAL, oil	1
11	31361-32C00	.PLATE, lock	1
12	31361-38300	.WASHER, plate lock	1
13	31361-10200	.RING, shaft snap	1
14	31132-32C10	.BRUSH SUB-ASSY, starter	2
15	31131-32C20	.BRUSH, starter	2
16	31114-32C10	.SCREW	2
17	31135-32C10	.SPRING, compression coil	4
18	01547-06308	BOLT, starting motor	2

FIG.17

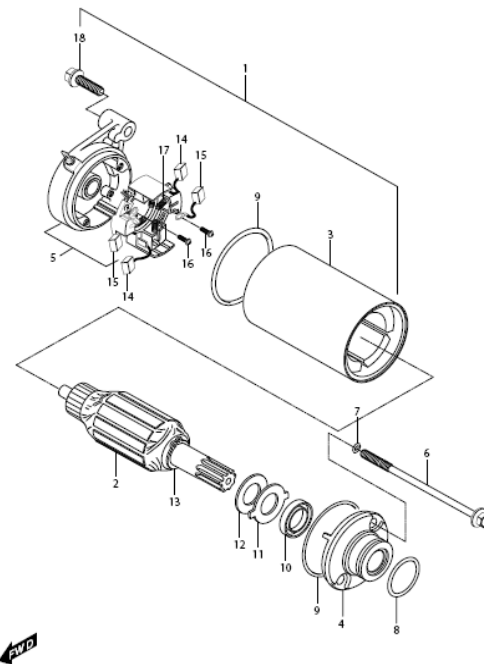


FIG 18. MAGNETO ASS`Y

REF. NO.	PARTS NAME	Q`TY
----------	------------	------

1	32100H98600	MAGNETO ASS`Y	1
2	32101HR8600	STATOR ASS`Y	1
3	32102HR8600	ROTOR, fly wheel	1
4	02112-05168	SCREW, pick-up coil(M5X16)	2
5	02112-05258	SCREW, magneto stato(M5X25)r	3
6	08316-26128	NUT, magneto fly wheel(M12)	1
7	08341-31049	KEY, magneto	1

FIG 18

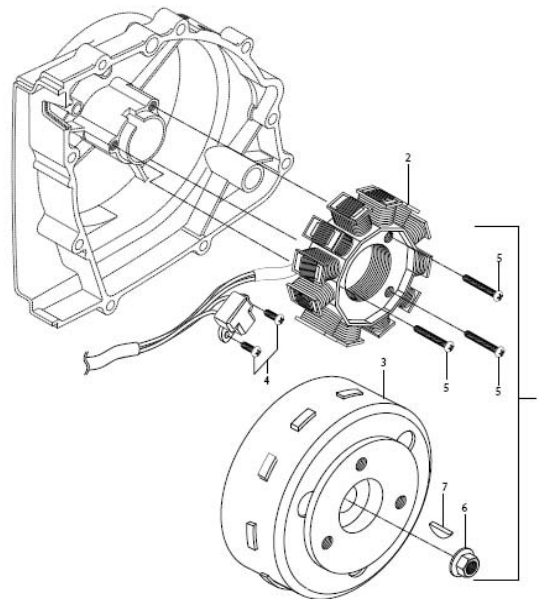


FIG 19. BATTERY

REF. NO.	PARTS NAME	Q'TY
----------	------------	------

1	33610HM8100	BATTERY ASS'Y(12V)
2	33860HM8101	LEAD WIRE, battery minus

FIG 19

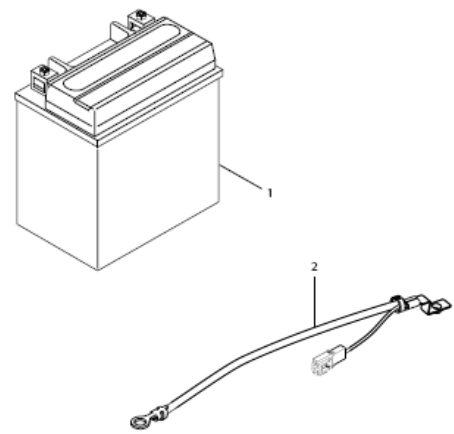


FIG 20. ELECTRICAL

REF. NO.	PARTS NAME	Q'TY
----------	------------	------

1	31800HG5100	RELAY ASS'Y, starting motor	1
2	08316-26066	NUT, starter motor relay terminal	2
3	33840HM8101	LEAD WIRE, battery plus	1
4	33850H98600	LEAD WIRE, starter motor	1
5	32800HN9101	RECTIFIER regulator ass'y	1
6	01517-06166	BOLT, rectifier	2
7	33410HP9310	COIL ASS'Y, ignition front	2
8	09128-06035	BOLT, ignition coil	4
9	33541-23E01	SEAL, spark plug	2
10	33510-05C01	CAP, spark plug	2
11	33542-24D00	SEAL, high tention cord	2
12	32900H88600	ENGINE CONTROL UNIT	1
13	36740HN9100	BOX ASS'Y, fuse(30A)	1
14	36740-35C00	BOX ASS'Y, fuse(15A)	1
15	38610HR9700	RELAY ASS'Y, turnsignal	1
16	38740HP7600	RELAY ASS'Y, 12V 30A	3
17	33430HP9310	COIL ASS'Y, ignition rear	1
18	38742HP7600	BRACKET, relay	1
19	01517-06166	BOLT, relay brkt	2

FIG.20

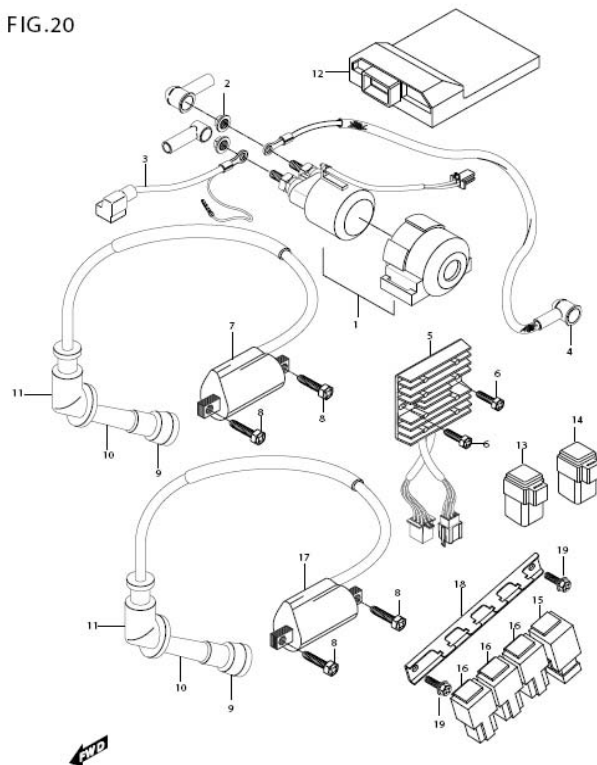


FIG 21. SPEEDOMETER ASS`Y

REF. NO.	PARTS NAME	Q`TY
----------	------------	------

1	34100H98600	SPEEDOMETER ASS`Y	1
2	34600H78300	PLB ASS`Y, speedometer	1
3	34950H78300	BRACKET, speedometer	1
4	34170H78300	WIRING ASS`Y, speedometer	1
5	09116-06010	BOLT, speedometer bracket	2
6	01517-06208	BOLT, speedometer & brace	2
7	59420HN9101	GUIDE COMP, cable & s/w lead wire L	1
8	09180-06011	SPACER, speedometer bkt cushion	2
9	94433H07C00	CUSHION, speedometer bracket	2
10	59410HN9101	GUIDE COMP, cable & s/w lead wire R	1

FIG.21 (G I -250F 1)

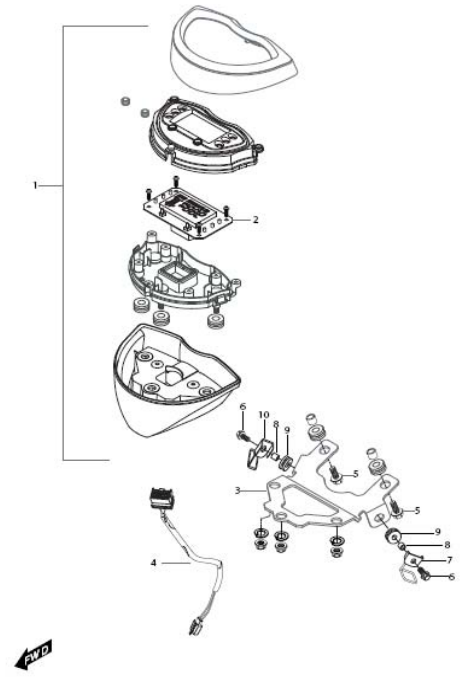


FIG 22. HEAD LAMP

REF. NO.	PARTS NAME	Q'TY
----------	------------	------

1	35100HM8152	HEAD LAMP ASS'Y	1
2	35120HM8160	REFLECTOR+LENS, head lamp	1
3	35111HM8100	RIM, head lamp	1
4	35173HM8100	DUST COVER	1
5	09471H12103	BULB, head lamp(12v H4 60/55w)	1
6	09148-05039	NUT, head lamp(M5)	3
7	09471-12110	BULB,position lamp	1
8	35175H93B00	SPRING, bulb socket	1

FIG 2

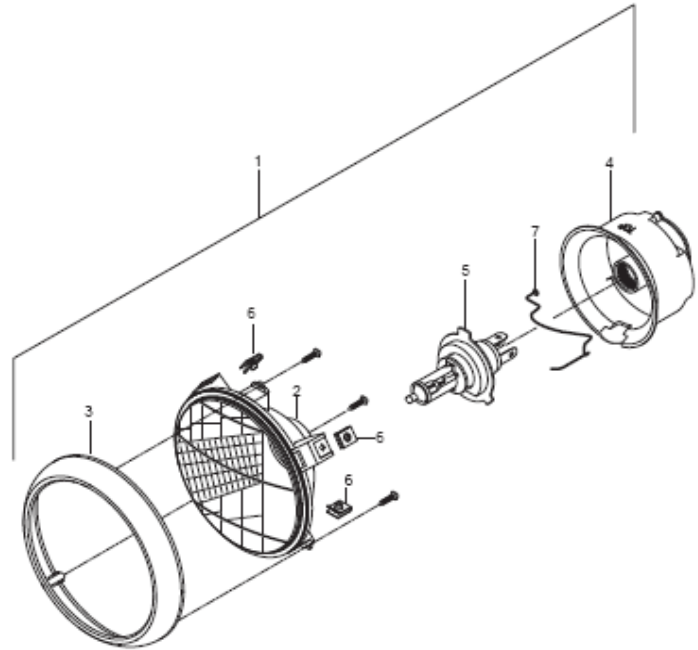


FIG 23. FRONT TURN SIGNAL LAMP

REF. NO.	PARTS NAME	Q'TY
----------	------------	------

1	35601HR7900	LAMP ASS'Y, FT turnsignal R	1
2	35602HR7900	LAMP ASS'Y, FT turnsignal L	1
3	09471H12112	BULB, FT turnsignal lamp(12V, RYIOW)	2
4	09160-06019	WASHER, FT turnsignal lamp	4
5	08316-26066	NUT, FT turnsignal lamp	4
6	35603H99700	LAMP ASS'Y, RR turnsignal R	1
7	35604H99600	LAMP ASS'Y, RR turnsignal L	1
8	09471H12112	BULB, RR turnsignal lamp(12V, RYIOW)	2
9	35612HR7900	IND Lense Ft Right Rr Left	1
10	35632HR7900	IND Lense Rr Right Ft Left	1

FIG.23

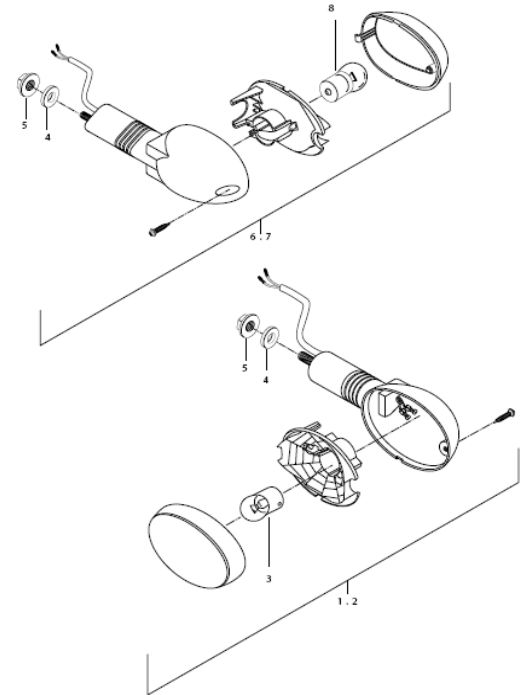


FIG 24. WIRING HARNESS

REF. NO.	PARTS NAME	Q`TY
----------	------------	------

1	36610H98650	HARNESS, wiring(GT250R FI)	1
2	38500HM8100	HORN ASS'Y	1
3	37000HP9200	LOCK ASSY, steering	1
4	01517-06168	BOLT, steering lock	2
5	37740HN9100	SWITCH ASS'Y, brake lamp	1
6	09407-14403	CLAMP, wiring harness	8
7	02112-36128	SCREW, horn	1
8	09407-22402	CLAMP, wiring harness	2
9	09443-06012	SPRING	1
10	09407-14408	CLAMP, wiring harness	5
11	38520HR8300	BRACKET, horn(GT250R)	1

FIG.24

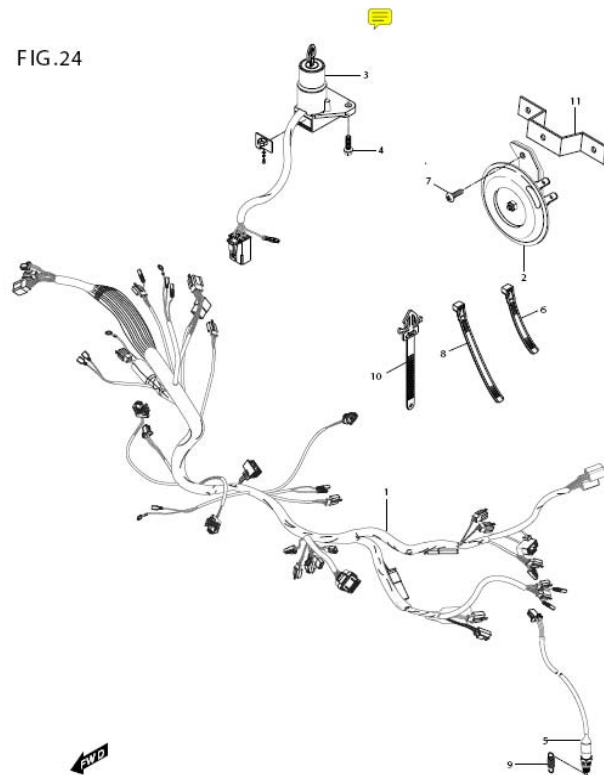


FIG 25. REAR COMBINATION

REF. NO.	PARTS NAME	Q`TY
-------------	------------	------

1	35710H99700	LAMP ASS`Y, tail & stop	1
2	09471-12047	BULB, tail & stop(12V 21/5W)	1
3	03241-05166	SCREW, tail & stop	3
4	09160-05017	WASHER, tail & stop	3
5	09404-06401	CLAMP, tail & stop	2

FIG.25

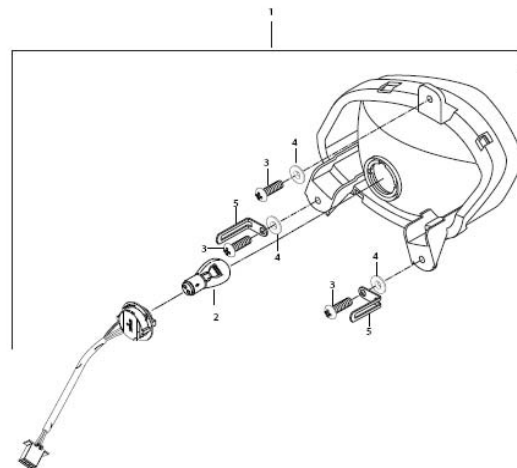


FIG 26. FRAME

FIG 26

REF. NO.	PARTS NAME	Q'TY
----------	------------	------

1	41100H98600PAM	FRAME COMP(GT250R)	1
2	41150HR8600PAM	TUBE COMP, frame down L(GT250R)	1
3	07110-08258	BOLT, frame joint	4
4	08316-16088	NUT, frame joint	4
5	41161HM8100	SPACER, frame & engine front L=59	2
6	09103H10099	BOLT, frame & engine front L=228	1
7	08319-31106	NUT, frame & engine front L=228	1
8	09103H10022	BOLT, frame & engine rear lower L=110	1
9	08319-31106	NUT, frame & engine rear	1
10	09103H10153	BOLT, frame & engine rear upper L=136	1
11	41171HM8100	SPACER, frame & engine rear upper L=2	1

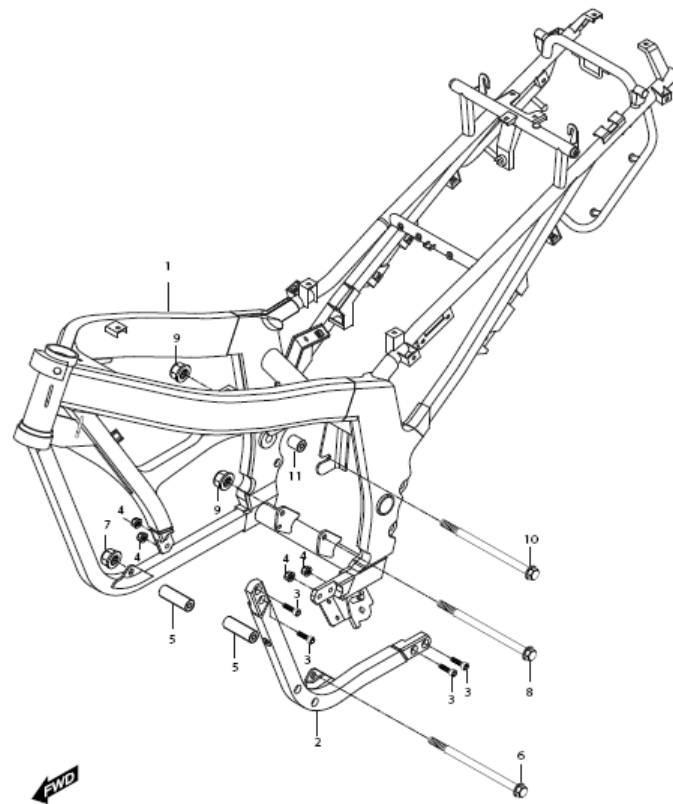


FIG 27. PROP STAND

FIG.27

REF. NO.	PARTS NAME	Q'TY
----------	------------	------

1	42310HN9150120	STAND COMP, prop	1
2	09111H10048	BOLT, prop stand	1
3	08319-21108	NUT, prop stand	1
4	08319-21108	SPRING, prop stand	1
5	09443-06001	SPRING, prop stand inner	1
6	08221-12225	SHIM, prop stand	1

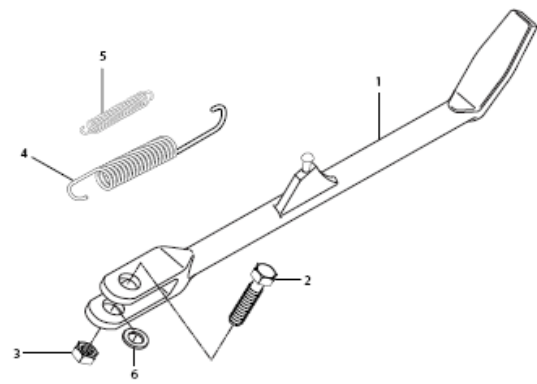


FIG 28. REAR BRAKE

FIG.28

REF. NO.	PARTS NAME	Q`TY
----------	------------	------

1	43110HM810003P	PEDAL COMP, brake	1
2	43530H9970003P	BRACKET COMP, front footrest R	1
3	09448HM30002	SPRING, brake pedal return	1
4	43560HM8100	FOOTREST ASS'Y, front R	1
5	43561HM8100	FOOTREST, bar front R	1
6	43530H30A40	RUBBER COMP, front footrest R	1
7	02112-05126	SCREW, front footrest	2
8	69600HM8100	CYLINDER ASS'Y rear master	1
9	69740HM8100	TANK ASS'Y reser vior	1
10	64700HM8101	HOSE ASS'Y reser vior	1
11	09400H13001	CLMAP, reserver tank hose	1
12	01514-06168	BOLT, reser vior tank	1
13	09160-06019	WASHER, reser vior tank	1
14	43533H30A40	BOLT, front footrest bar	1
15	09180H08008	SPACER, front footrest	1
16	43579HM8101	PIN, front footrest	1
17	09448H14007	SPRING, front footrest	1
18	08322-11079	E-RING, front footrest	1
19	07120-08258	BOLT, front footrest bracket	2
20	07120-08258	BOLT, master cylinder	2
21	08332-21068	WASHER, rear master cylinder	1
22	04111-20208	COTTER PIN, rear master cylinder	1
23	09160H15002	WASHER, brake pedal	1
24	08331-31159	CIRCLIP, brake pedal	1
25	09200H06040	PIN, rear master cylinder	1

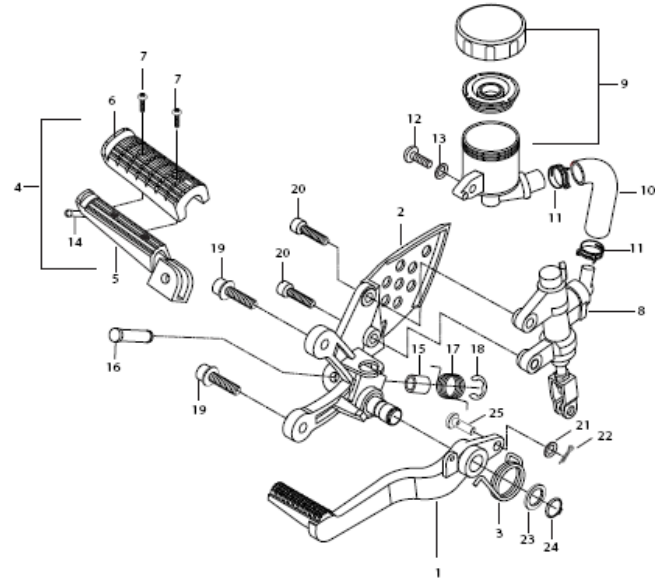


FIG 29. FOOTREST

REF. NO.	PARTS NAME	Q'TY
----------	------------	------

1	43570HM8100	FOOTREST ASSY, front L	1
2	43571HM8100	FOOTREST BAR, front L	1
3	02112-05126	SCREW, front footrest	2
4	43533H30A40	BOLT, front footrest bar	1
5	09180H08008	SPACER, front footrest	1
6	43579HM8101	PIN, front footrest bar	1
7	09448H14007	SPRING, front footrest	1
8	08322-11079	E-RING, front footrest	1
9	43540H9970003P	BRACKET COMP, front footrest L	1
10	07120-08258	BOLT, front footrest bracket	2
11	43532H30A40	RUBBER, front footrest	1
12	43621H9970003P	BRACKET, pillion footrest R	1
13	43661HM8101	FOOTREST BAR, pillion R	1
14	43721H9970003P	BRACKET, pillion footrest L	1
15	43671HM8101	FOOTREST BAR, pillion L	1
16	07110-08258	BOLT, pillion footrest bracket	4
17	43679HM8101	PIN, pillion footrest	2
18	09448H08008	SPRING, pillion footrest	2
19	08322-11048	E-RING, pillion footrest	2
20	43631HM8101	PLATE, pillion stopper No.1	2
21	43641HM8101	PLATE, pillion stopper No.2	2
22	09320-14015	CUSHION, muffler support	1
23	09180-10044	SPACER, muffler support	1
24	25600HR830003P	LEVER COMP, gear shift cam	1
25	08331-31159	CIRCLIP, gear shift lever	1
26	09160H15002	WASHER, gear shift lever	1

FIG.29

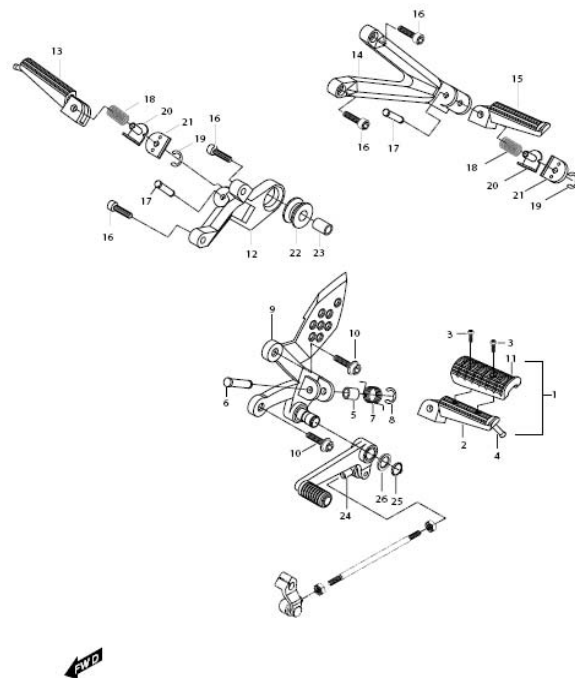


FIG 30. FUEL TANK

REF. NO.	PARTS NAME	QTY
----------	------------	-----

1	44110HP9300***	TANK COMP, fuel(CBK,CDR,CDS,CWP)
2	44520HM8100	BRKT COMP, fuel tank front
3	09329-10007	CUSHION, fuel tank front
4	01517-06166	BOLT, fuel tank front brkt
5	09329H28001	CUSHION, fuel tank side
6	44530H99700	BRKT COMP, fuel tank RR
7	01517-06206	BOLT, fuel tank RR brkt
8	44613HE7100	CUSHION, fuel tank RR brkt & battery
9	44218HF4500	CUSHION, fuel tank RR brkt & battery
10	09116H08078	BOLT, fuel tank RR
11	09320H14013	CUSHION, fuel tank RR up
12	09180H08007	SPACER, fuel tank RR cushion
13	09320-14013	CUSHION, fuel tank RR lower
14	44200H35C30	CAP ASSY, fuel tank filler
15	09106-05017	BOLT, fuel tank filler
16	15100HR8610	PUMP ASSY, fuel module
17	09125H04016	SCREW, fuel pump module
18	15115HP9300	PLATE, fuel pump module
19	34810HP9300	GAUGE ASS'Y, fuel sender
20	09128-06035	BOLT, fuel sender
21	15911HP9300	JOINT, fuel hose
22	09169H06078	WASHER, fuel hose joint
23	01517-06125	BOLT, joont
24	15810HR8601	HOSE COMP, fuel injector
25	15813HP9300	HOSE, regulator & joint
26	15812HP9300	HOSE, fuel pump & joint
27	44410HP9300	BRKT COMP, joint lower
28	01517-06125	BOLT, jont lower brkt
29	68319H05350PL	LABEL, caution for 7EU01

FIG.30

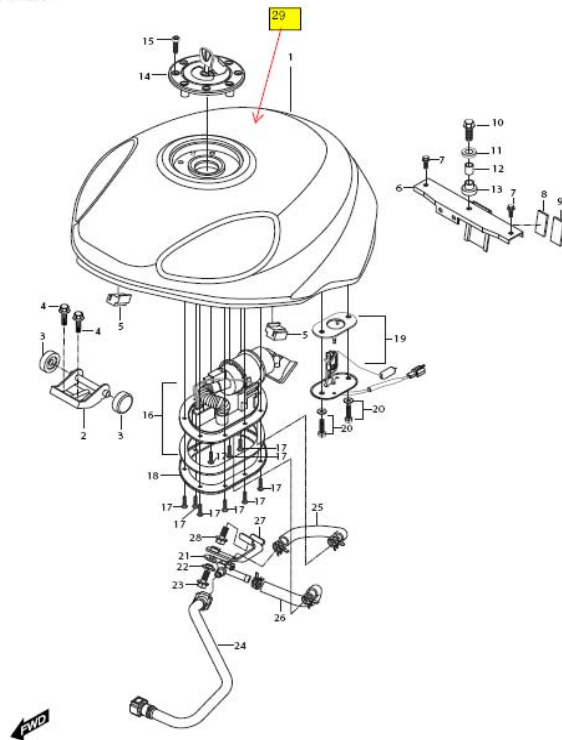


FIG 31. SEAT

REF. NO.	PARTS NAME	Q'TY
----------	------------	------

1	45110H99700	SEAT SET, front	1
2	45120HM8101	KNOB COMP, seat front	1
3	09440-11016	SPRING, seat front knob	1
4	08322-11088	WASHER, seat front knob	1
5	04111-20208	PIN, seat front knob	1
6	45200HH99700	SEAT SET, rear	1
7	01517-06166	BOLT, rear seat	1
8	09160-06057	WASHER, rear seat	1
9	47511H99700	RIDER, pillion right	1
9.1	47521H99700	RIDER, pillion left	1
10	09106H08230	BOLT, pillion rider	6

FIG.31

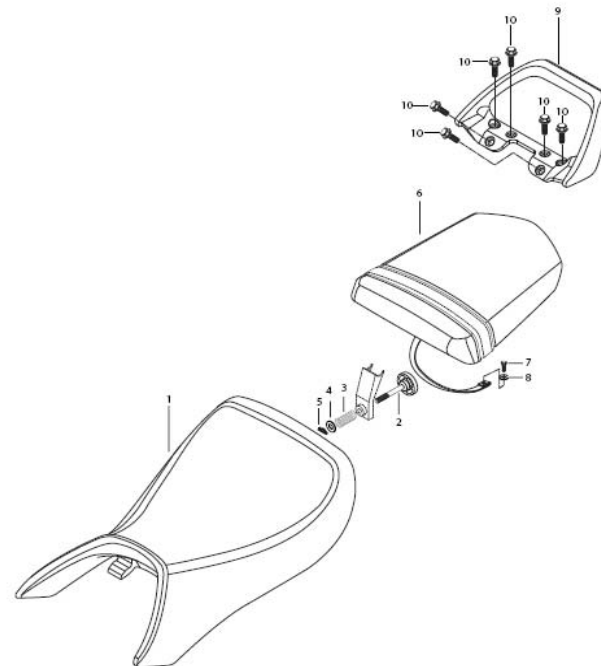


FIG 32. REAR FENDER

REF. NO.	PARTS NAME	Q'TY
----------	------------	------

1	63112H9970012A FENDER rear	1
2	63114H99700 FENDER, rear lower	1
3	09280-63003 BAND, tool	1
4	09111H06066 BOLT, rr fender ft up	2
5	09148-05039 NUT, rr fender ft	2
6	01517-06166 BOLT, rr fender ft & frame side tube	2
7	09169-06032 WASHER, rr fender ft & frame side tube	2
8	02142-06166 SCREW, rr fender lower	2
9	09169-06032 WASHER, rr fender lower	2
10	41589HG5900 CUSHION, rr fender ft & battery	1
11	63120HN9150120 TUBE COMP, RR fender FT & frm side	1
12	01517-08168 BOLT, frm side tube	2
13	63161HP9300 CUSHION, ecu lower	1
14	63162HP9300 CUSHION, ecu rear	1
15	41589HR9700 CUSHION, RR fender FT& battery No.2	1

FIG.32

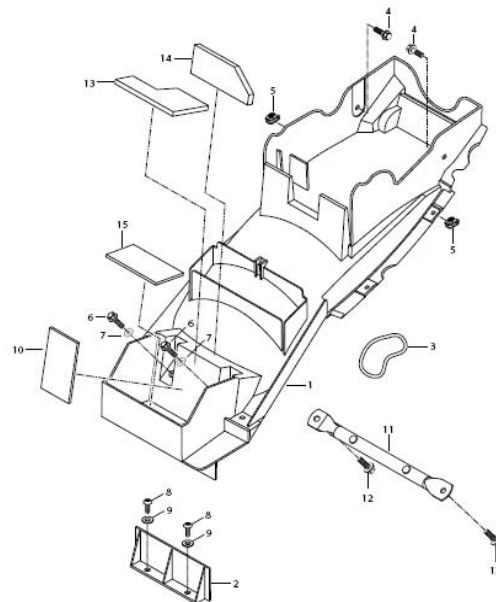
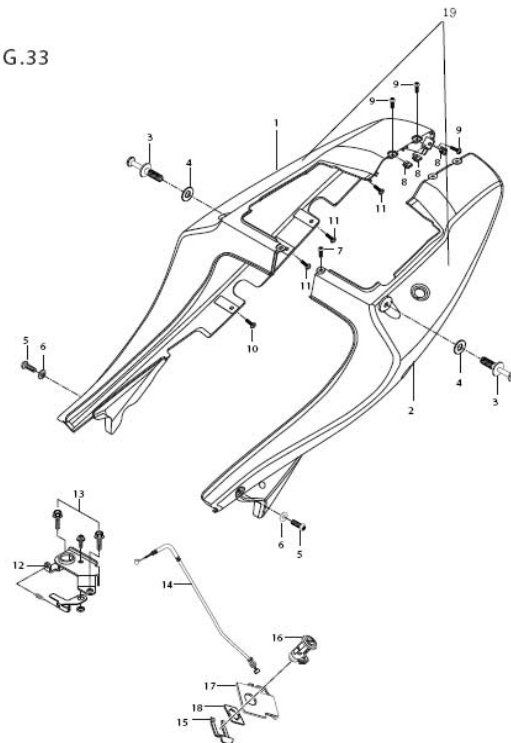


FIG 33. SIDE COVER

REF. NO.	PARTS NAME	Q'TY
----------	------------	------

1	47111H99700***	COVER, side RH(CBK.CDR)	1
2	47211H99700***	COVER, side LH(CBK.CDR)	1
3	47113HM8101	BOLT, luggage support	2
4	08322-11088	WASHER, luggage bolt & frm side	2
5	02142-06166	SCREW, frm side front	2
6	09169-06032	WASHER, frm side front	2
7	02142-06166	SCREW, frm side center	1
8	09148-05004	NUT, frm side rear up	3
9	03241-05125	SCREW, frm side rear up	3
10	02142-06206	SCREW, frm side low & frm	2
11	02142-05166	SCREW, frm side low & rear fender	6
12	45220HM8101	LOCK ASS'Y, seat striker rear	1
13	01517-06128	BOLT, seat striker (M6X16)	2
14	45280H-35C00	CABLE ASS'Y, seat lock	1
15	92414HF4500	LOCK, key set	1
16	45700HG2630	LOCK ASS'Y, seat	1
17	45381HG2601	GUIDE, seat lock cable	1
18	92413HF4501	WASHER, side cover	1
19	68130HR8300015	EMBLEM,GT250	2
	68130HR830003P	EMBLEM,GT250 for	2

FIG.33



FIG

FIG 34. FRONT FORK

REF. NO.	PARTS NAME	QTY
----------	------------	-----

1	51100HR8350120	FORK ASS'Y, front	1
3	51410HP9204HPA	BRACKET COMP, front fork under	1
4	07110-08258	BOLT, front fork under bracket	4
5	09265H25001	BEARING, steering lower	1
6	09265H28001	BEARING, steering upper	1
7	51643HG5801	DUST SEAL, steering upper	1
8	51631HN9101	NUT, steering stem	1
9	51210HR8350120	DAMPER ASSY, front fork R	1
10	51220HR8350120	DAMPER ASSY, front fork L	1
11	09106H08458	BOLT, axle grip	4
12	07110-08256	BOLT, fork clip	2
13	90544H93B00	WASHER, spacer	2
14	59266HM8100	CLAMP, brake hose & clamp	1
15	02112-06168	SCREW, ft brake hose & speedometer	1

FIG.34

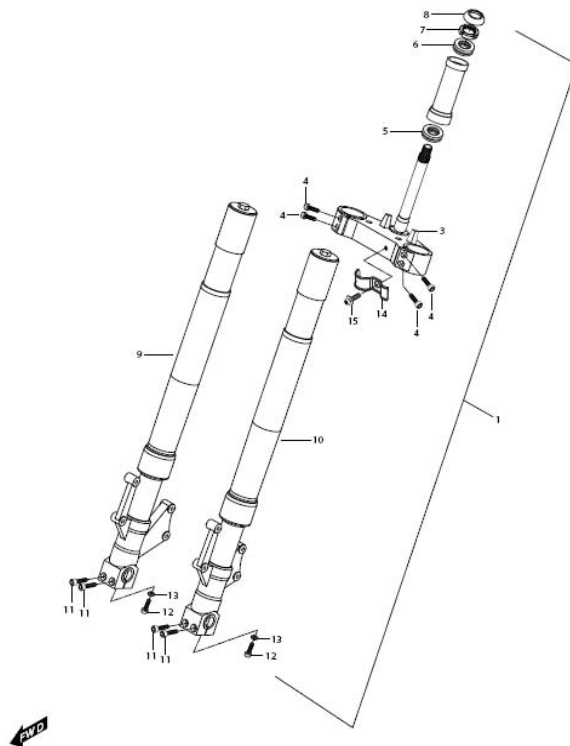


FIG 35. STEERING HEAD

FIG 35

REF. NO.	PARTS NAME	QTY
-------------	------------	-----

1	51311HP920003P	BRACKET, front fork upper	1
2	07110-08258	BOLT, front fork upper bracket	2
3	09159H22002	NUT, str upper	1
4	09160H22032	WASHER, str upper	1
5	56211-35C00	HOLDER, handle bar	4
6	01517-08608	BOLT, handle bar	4

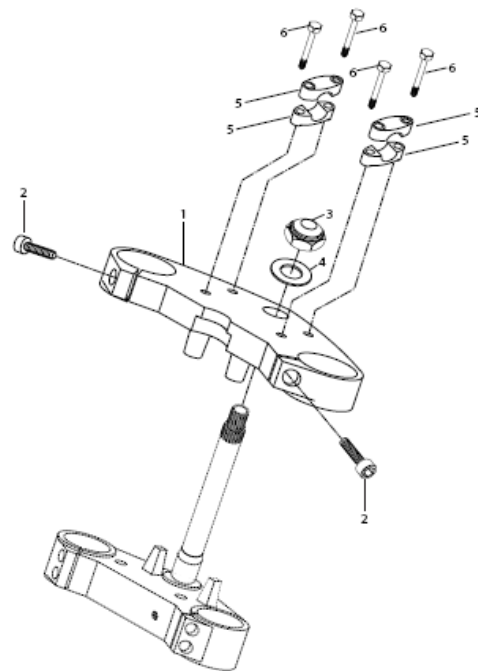


FIG 36. FRONT FENDER

REF. NO.	PARTS NAME	QTY
1	53111HM81010BK FENDER, front	1
2	51811HM8101PAM HOUSING, headlamp	1
3	51550HM8100 BRACE COMP, headlamp housing	1
4	51540HM8100PLA BRKT COMP, headlamp housing L	1
5	51530HM8100PLA BRKT COMP, headlamp housing R	1
6	02122-06308 BOLT, headlamp brkt housing	4
7	01284-08258 BOLT, headlamp housing	2
8	09180-08092 SPACER, headlamp housing	2
9	09320-10020 CUSHION, under brkt & headlamp housing b	2
10	09329-12002 CUSHION, headlamp housing	2
11	51860-45000 PLATE COMP, headlamp housing	2
12	02112-95208 SCREW, housing & headlamp	3
13	09169H06078 WASHER, housing & headlamp	3
14	94611HN9100 W/screen for GT650 & 250	1
15	94411HN9100 COW'G.Body 0BK, 0DB, 0TR	1
16R	94412HN91000S3 COWLING,BODY SIDE R	1
16L	94413HN91000S3 COWLING,BODY SIDE L	1
17	09169H06078 WASHER, front fender	4
18	09106H06150 Bolt,front fender	4

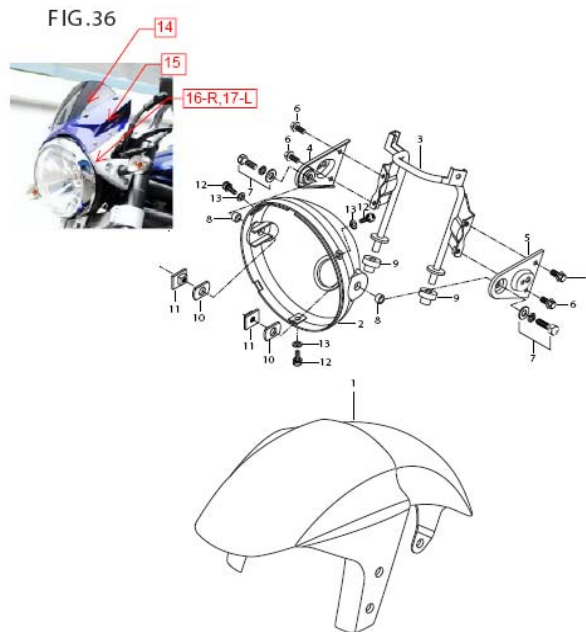


FIG 37. FRONT WHEEL

REF. NO.	PARTS NAME	Q'TY
----------	------------	------

1	54140SM8102120	WHEEL, front (J17xMT3.0)	1
1-1	54140SM8102120	WHEEL + Bearing	1
1-2	54141HM8102120	WHEEL, front(J17xMT3.0)(Black)	1
2	55101HM8100	TIRE COMP, front (120/60-17 55W)	1
3	59211HM8101	DISC COMP, front L	1
4	59421-03A01	BOLT, front brake disc	12
5	54711HG5101	AXLE, front	1
6	54740HM8101	SPACER COMP, front axle R	1
7	54721HM8100	NUT, front axle	1
8	54600HG5102	BOX ASS'Y, speedometer gear	1
9	08124-63027	BEARING, front hub	2
10	54731HM8100	SPACER, front hub	1
11	55220-41D10	VALVE ASS'Y, wheel rim	1
12	54690HM8101	COV, S/METER	1
13	54890HM8100	COV, FRONT WHEEL	1

FIG.37

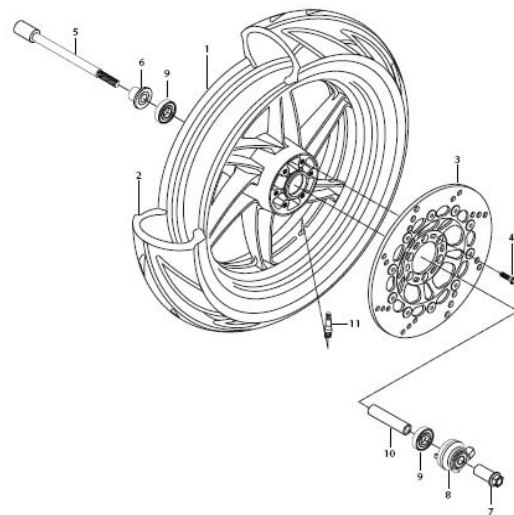


FIG 38. HANDLE BAR

REF. NO.	PARTS NAME	QTY
----------	------------	-----

1	56110HM8102WED HANDLE BAR	1
2	58200HM8101 CLUTCH CABLE	1
3	58300H78300 THROTTLE CABLE	1
4	56500HP9250 MIRROR RIGHT	1
5	56600HP9250 MIRROR LEFT	1
6	09200-06004 PIN,CLUTCH CABLE	1
7	04111-20158 COTTER PIN	1

FIG.38

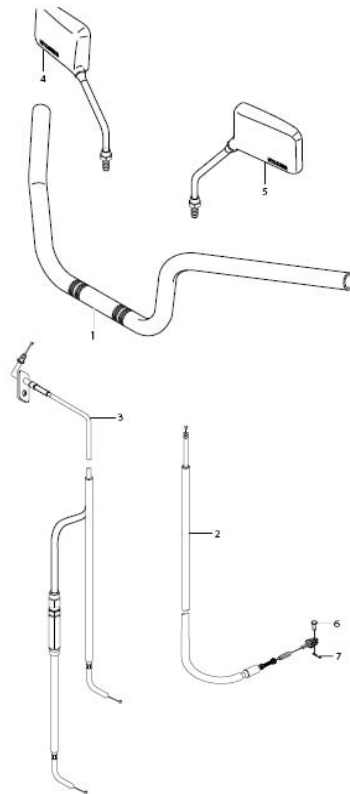


FIG 39. HANDLE SWITCH

REF. NO.	PARTS NAME	Q'TY
----------	------------	------

1	37200H78300	SWITCH ASSY, handle R	1
2	57110HP9300	GRIP COMP, throttle	1
3	57113H93B00	COVER, throttle grip	1
4	56271H99300ZN8	BALANCER	2
5	07110-08208	BOLT, handle balancer	2
6	37400HR9800	SWITCH ASSY, handle L	1
7	57211HG5800	GRIP COMP, L	1
8	09407-14403	CLAMP, handle switch harness	2
9	57460HJ8250	SWITCH ASSY, clutch lever	1
10	57421HN3202	LEVER, brake	1
11	57431H05D00	BOLT, brake lever pivot	1
12	08319-21065	NUT, brake lever pivot	1
13	57500HM8121	LEVER ASSY, clutch	1
14	57620HM8100	CLUTCH LEVER	1
15	57511HM8100	HOLDER, clutch lever	1
16	57431HG5800	BOLT, clutch lever pivot	1
17	08319-21065	NUT, brake lever pivot	1
18	57451HG5800	BOLT, clutch lever holder	1
19	57442H93B00	LOCK NUT	1
20	57441H93B00	ADJUSTER, wire	1
21	57661HJ8200	COVER, clutch lever	1

FIG.39

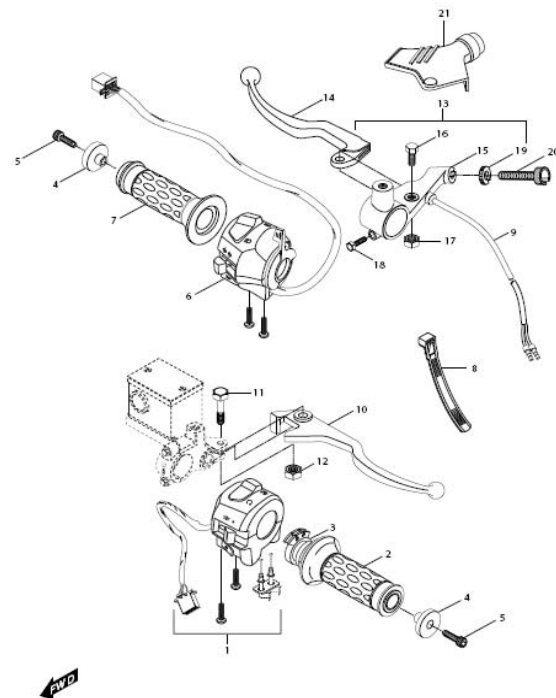


FIG 40. CALIPER LH

REF. NO.	PARTS NAME	QTY
-------------	------------	-----

0	59300HP9500	CALIPER ASS`Y, L	1
1	07120-08308	BOLT, caliper	2
2	59301HP9500	PAD SET	1

FIG.40

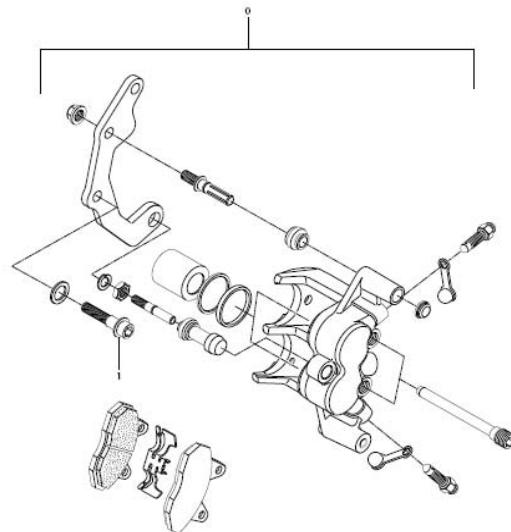


FIG 40-1. CALIPER RH

REF. NO.	PARTS NAME	QTY
----------	------------	-----

0	59400HN9100	CALIPER ASS'Y, R	1
1	59301HP9500	PAD SET	1

FIG.40-1

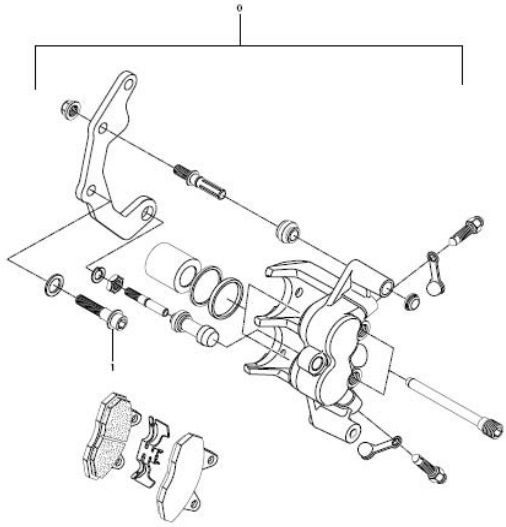


FIG 41. MASTER CYLINDER

REF. NO.	PARTS NAME	QTY
----------	------------	-----

0	59600HP9201	CYLINDER ASSY, front master	1
1	59687HM8162	BODY	1
2	59669SN9110	CAP SET, Master Cylinder	1
2-A	59669HN9100	CAP, Master Cylinder	1
2-B	59511HP9200	PLATE, reservoir cap	1
3	59610HN9100	PISTON, SET	1
4	59691-35C00	SCREW	2
5	59671-35C00	HOLDER	1
6	01107-35C00	BOLT, holder	2
7	59667HP9200	DIAPHRAGM	1

FIG.41

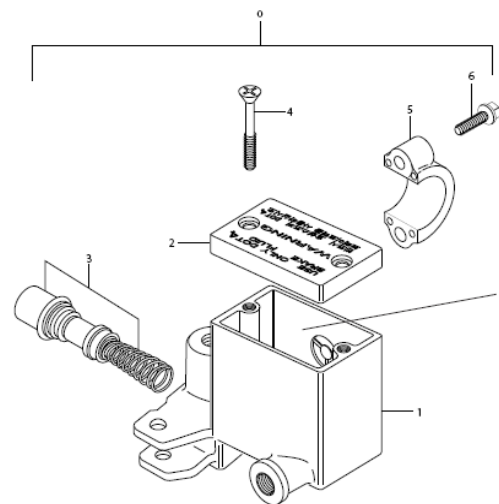


FIG 42. FRONT BRAKE HOSE

REF. NO.	PARTS NAME	Q'TY
----------	------------	------

1	59711H49002	BOOT, brake hose	1
2	09360-10039	BOLT, brake hose	2
3	09161-10005	WASHER, brake hose	4
4	59480HM8105	HOSE COMP, front brake	1
5	69480HM8104	HOSE COMP, rear brake	1
6	09161-10005	WASHER, rear brake fluide	4
7	09360-10039	BOLT, rear brake fluide	2

FIG.42

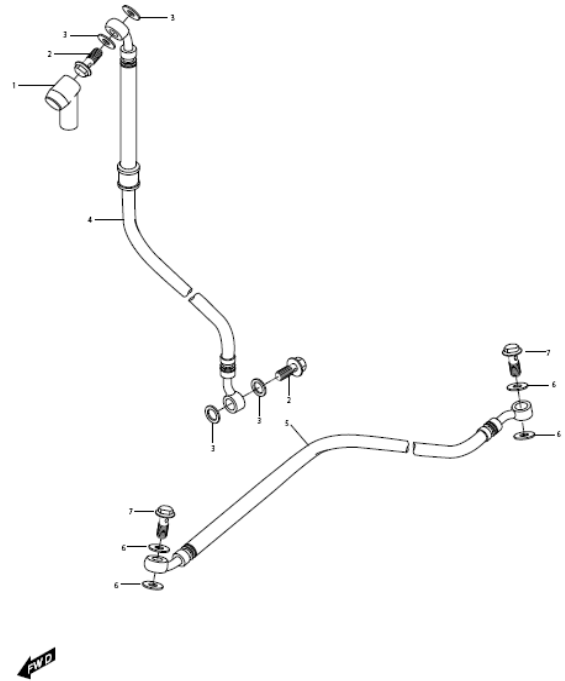


FIG 43. SWINGING ARM

FIG.43

REF. NO.	PARTS NAME	Q`TY
----------	------------	------

1	61100SM8105120	SWINGARM COMP, rear	1
2	61273HM8101	BUFFER, chain touch defense	1
3	02142-06166	BOLT, chain touch defense buffer	2
4	09169H06011	WASHER, chain touch defense buffer	2
5	61211HM8100	SHAFT, rear swingarm pivot	1
6	09263-22017	BEARING, rear swingarm pivot	2
7	61251HM8100	SPACER, rear swingarm pivot bearing	2
8	08211-14321	WASHER, rear cushion rod	2
9	08319-31128	NUT, rear swingarm pivot	1
10	09283-20031	SEAL, rear cushion rod	2
11	09263H20003	BEARING, rear cushion rod	2
12	09180H14001	SPACER, rear cushion rod	1
13	08211-14321	WASHER, rear cushion rod	2
14	09159H14008	NUT, rear cushion rod	2
15	09103H14001	BOLT, rear cushion rod	2
16	62641HM8100	ROD, rear cushion lever	2
17	09180H10073	SPACER, rear cushion lever rear	1
18	09263H17002	BEARING, rear cushion lever rear	1
19	61410HJ8200	ADJUSTER COMP, chain	2
20	61421-01000	PLATE, chain adjuster guide	2
21	64712HJ8200	WASHER, chain adjuster	2
22	08316-26108	NUT, chain adjuster	2
23	62611HG5800	LEVER, rear cushion	1
24	09284H33003	DUST SEAL, rear cushion lever front	2

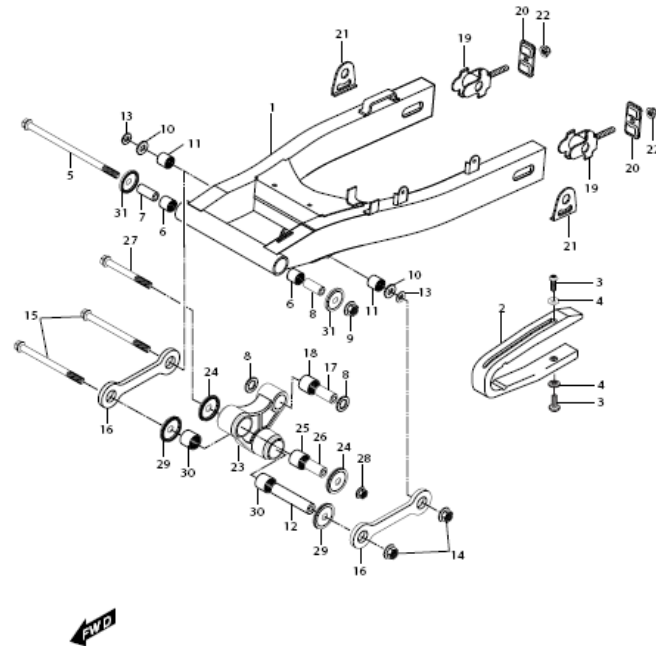
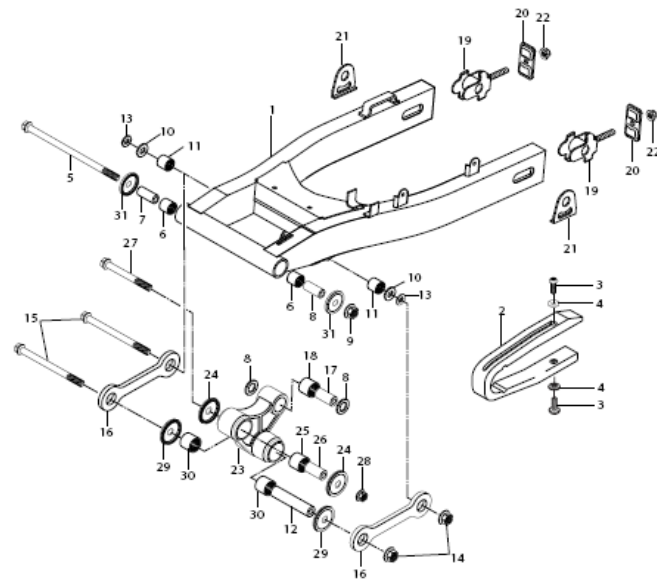


FIG 43. SWINGING ARM

FIG.43

REF. NO.	PARTS NAME	Q`TY
----------	------------	------

25	09263-20073	BEARING, rear cushion lever front	1
26	09180H12001	SPACER, rear cushion lever front	2
27	09103H12046	BOLT, rear cushion lever front	1
28	08319-31128	NUT, rear cushion lever front	1
29	09284H32001	SEAL, rear cushion lever center	2
30	09263H20003	BEARING, rear cushion lever center	2
31	61262-45002	COVER, rear swingarm pivot	2
32	62611HG5800HPA	LEVER ASS'Y, rear cushion	1
	68320HM8150PL	LABEL,chain case for 7EU01	1
	68320HM8160PL	LABEL,chain case for 7GO01	
	68320HM8180PL	LABEL,chain case for 7SO01	
	68320HM8190PL	LABEL,chain case for 7FO01	



FWD

FIG 44. REAR SHOCK ABSORBER

FIG.44

REF. NO.	PARTS NAME	Q'TY
----------	------------	------

1	62100HR8301	SHOCK ABSORBER ASS'Y rear	1
2	09103H10101	BOLT, rear shock absorber upper	1
3	08319-31108	NUT, rear shock absorber upper	2
4	09103H10101	BOLT, rear shock absorber lower	1
5	61310HM8102	CASE COMP, chain	1
6	09111H06066	BOLT, chain case	2
7	09160-10001	WASHER, rear shock absorber lower	1

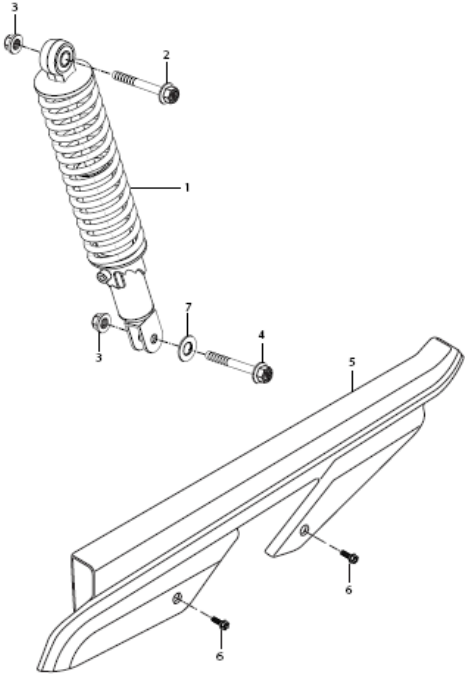
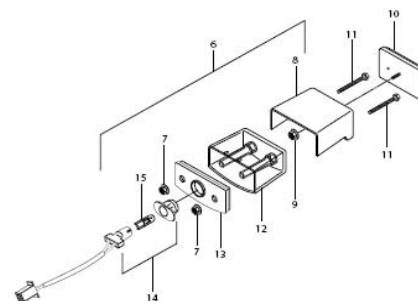
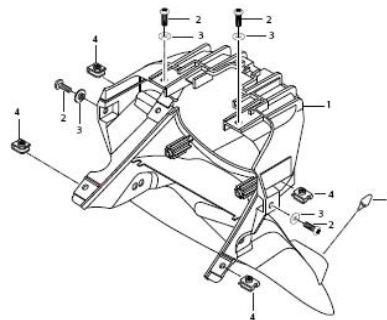


FIG 45. REAR FENDER

REF. NO.	PARTS NAME	Q`TY
----------	------------	------

1	63111H9970012A	FENDER, rear	1
2	02142-06166	SCREW, rr fender	4
3	09169-06032	WASHER, rr fender	4
4	09148-05039	NUT, rr fender	4
5	09321-06023	CUSHION, license plate	2
6	35910HG5150	LAMP ASSY, license plate	1
7	08316-26055	NUT, license lamp(M5)	2
8	35915HL7300	COVER, license lamp	1
9	08316-26055	NUT, rear reflex reflector	1
10	35970-17303	REFLEX REFLECTOR ASS'Y, rear	1
11	01107-05605	BOLT, license lamp	2
12	35911HG5800	LENS, license	1
13	35912HG5800	HOUSING, license	1
14	35916HG5800	CORD ASS'Y	1
15	09471-12150	BULB, license lamp(12V/5W)	1

FIG.45



▶PVD

FIG 46. REAR WHEEL

REF. NO.	PARTS NAME	Q'TY
----------	------------	------

0	64150SM8103120	WHEEL + TIRE REAR ASS'Y	
1	64150HM8103120	WHEEL COMP, rear (J17xMT4.00)	1
2	65101HR8300	TIRE COMP, rear(150/70-17 69J)	1
3	55220-41D10	VALVE ASSY, wheel rim	1
4	64711HM8102	AXLE, rear	1
5	09159H16002	NUT, rear axle	1
6	64741HM8100	SPACER, rear axle R	1
7	64751HM8100	SPACER, rear axle L	1
8	64611HM8170120	DRUM, rear sprocket mounting	1
9	64511HM8102	SPROCKET, rear	1
10	64733HM8100	RETAINER, rear sprocket drum	1
11	01517-08358	BOLT, rear sprocket	6
12	08319-31088	NUT, rear sprocket	6
13	09285-28001	OIL SEAL, rear sprocket mounting drum	1
14	08133-62047	BEARING, rear sprocket mounting drum	1
15	09169-10013	WASHER, rear sprocket	3
16	64651HM8101	SHOCKABSORBER, rear wheel	6
17	64731HM8100	SPACER, rear wheel bearing	1
18	08133-62037	BEARING, rear wheel L	1
19	08133-62037	BEARING, rear wheel R	1
20	09280-55001	O-RING, rear brake	1
21	69211HM8102	DISK, rear brake	1
22	09106H08230	BOLT, rear brake disk	6
23	64712HJ8201	WASHER, chain adjuster R	1
24	64712HJ8201	WASHER, chain adjuster L	1
25	69340HM8170120	CARRIER, caliper	1

FIG.46

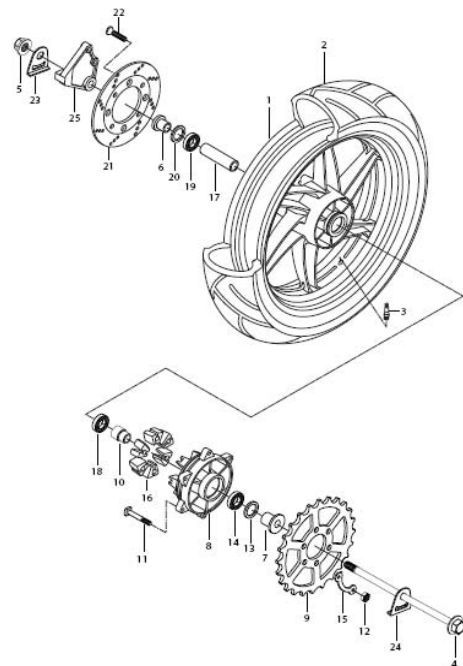
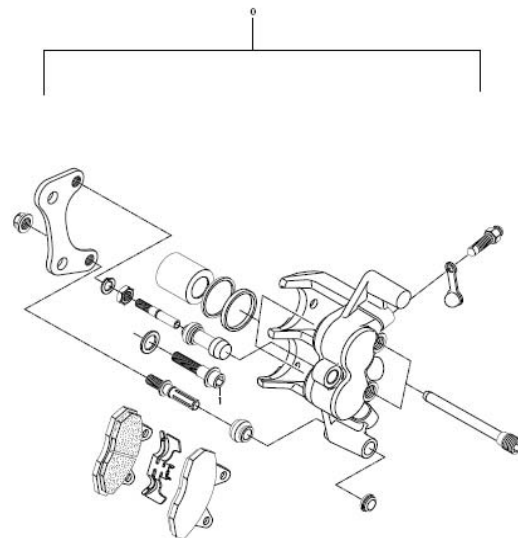


FIG 47. REAR CALIPER

REF. NO.	PARTS NAME	Q`TY
-------------	------------	------

0	69300HN9102	CALIPER ASS`Y, L	1
1	07120-08258	BOLT, caliper	2
2	59301HP9500	PAD SET	1

FIG.47



← RWD