



 **HYOSUNG**
MOTORS & MACHINERY INC.

REFERENCE

1.The detailed specifications of each model are referred by the persons who are in charge of overseas marketing team, Hyosung.

2.Special demand

When you order any colored parts, please add color code to the end of parts number and it will be helpful to register your parts order.

※ **Color code**

CMB : MIDNIGHT BLACK

CMO : MANGO ORANGE

CTR : TWINKLE RED

CRB : RED & BLUE

HYOSUNG

FIG 1-1. CYLINDER HEAD/ (FRONT)

REF. NO.	MAT01	PARTS NAME	Q'TY
1	11110SM8100HPA	HEAD ASS'Y, cylinder	1
2	11171HG510203S	COVER, cylinder head	1
3	11173HG5100	GASKET, cylinder head cover NO.	1
4	13110HM8101	PIPE COMP, intake front	1
4~1	13110HM8102	PIPE COMP, intake front	1
5	09402-44207	CLAMP, carburetor	1
6	09390-35001	C-RING, camshaft	4
7	09206-08001	PIN, camshaft housing knock	8
8	02122-06308	BOLT, oil galley(M6X12)	4
9	09168H06019	GASKET, oil galley bolt	2
10	09103-06013	BOLT, camshaft housing(M6X20)	8
11	09482-00456	PLUG, spark CR8E	1
12	09109H07018	BOLT, cylinder head cover(M7X17)	4
13	09161H11008	WASHER, cylinder head cover	4
14	09103H08306	BOLT, cylinder head(L=130)	4
15	09168-08021	GASKET, cylinder head bolt	4
16	09119H06002	BOLT, intake pipe(M6X16)	2
17	12782-35C00	GUIDE, camchain NO.2	1
18	09280H34000	O-RING, intake pipe	1
19	11178-17E00	GASKET, cylinder head cover NO.	1
20	01421-06258	BOLT, cylinder head stud(M6x25)	3
21-1	11121-35C00PCH	HOUSING, camshaft No.1	1
21-2	11122-35C00PCH	HOUSING, camshaft No.2	1
21-3	11123-35C00PCH	HOUSING, camshaft No.3	1
21-4	11124-35C00PCH	HOUSING, camshaft No.4	1

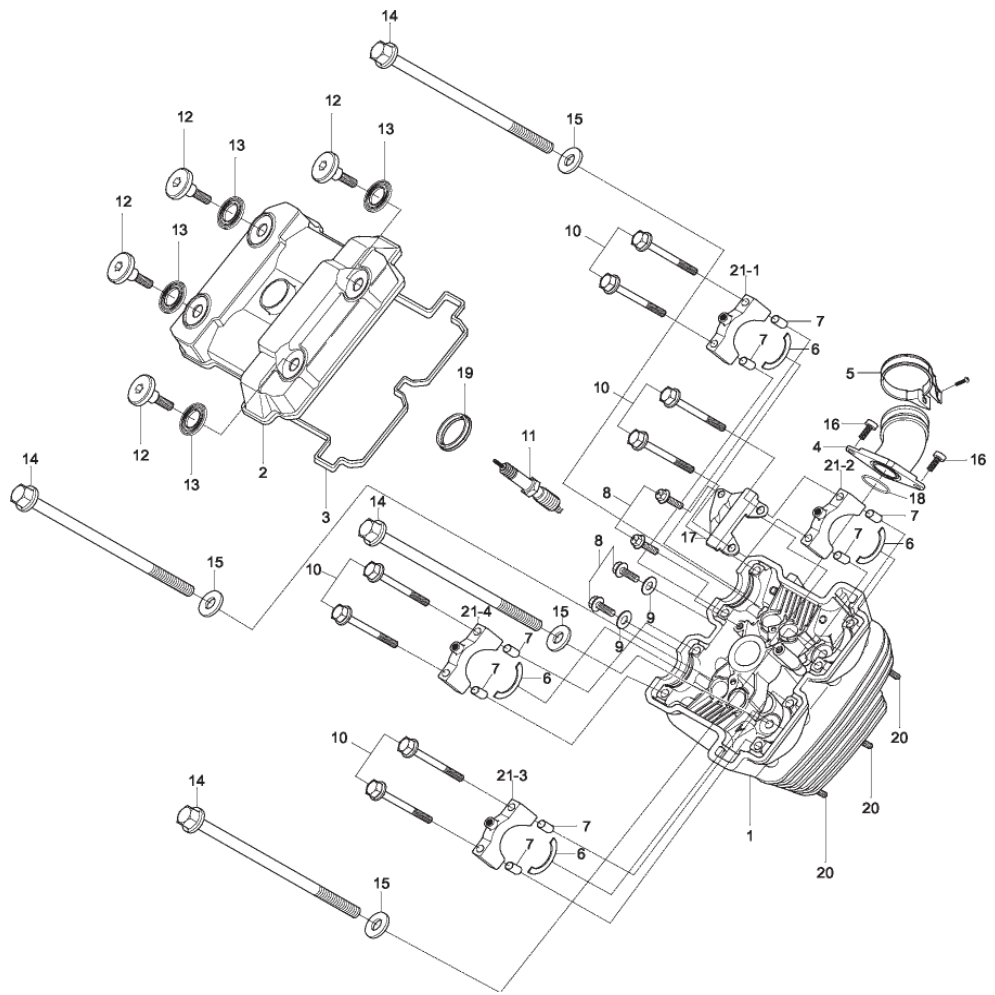


FIG 1-2. CYLINDER HEAD/ (REAR)

REF.	PARTS NAME	Q'TY
NO. MAT01		
1	11110SM8100HPA HEAD ASS'Y, cylinder	1
	HEAD ASS'Y, cylinder	1
2	11171HG510203S COVER, cylinder head	1
3	11173HG5100 GASKET, cylinder head cover NO.	1
4	13120HM8100 PIPE COMP, intake rear	1
4~1	13120HM8101 PIPE COMP, intake rear	1
5	09402-44207 CLAMP, carburetor	1
6	09390-35001 C-RING, camshaft	4
7	09206-08001 PIN, camshaft housing knock	8
8	02122-06308 BOLT, oil galley(M6X12)	4
9	09168H06019 GASKET, oil galley bolt	2
10	09103-06013 BOLT, camshaft housing(M6X20)	8
11	09482-00456 PLUG, spark CR8E	1
12	09109H07018 BOLT, cylinder head cover(M7X17)	4
13	09161H11008 WASHER, cylinder head cover	4
14	09103H08306 BOLT, cylinder head(L=130)	4
15	09168-08021 GASKET, cylinder head bolt	4
16	09119H06002 BOLT, intake pipe(M6X16)	2
17	12782-35C00 GUIDE, camchain NO.2	1
18	09280H34000 O-RING, intake pipe	1
19	11178-17E00 GASKET, cylinder head cover NO.	1
20	01421-06258 BOLT, cylinder head stud(M6x25)	3
21-1	11121-35C00PCH HOUSING, camshaft No.1	1
21-2	11122-35C00PCH HOUSING, camshaft No.2	1
21-3	11123-35C00PCH HOUSING, camshaft No.3	1
21-4	11124-35C00PCH HOUSING, camshaft No.4	1

FIG 1-1

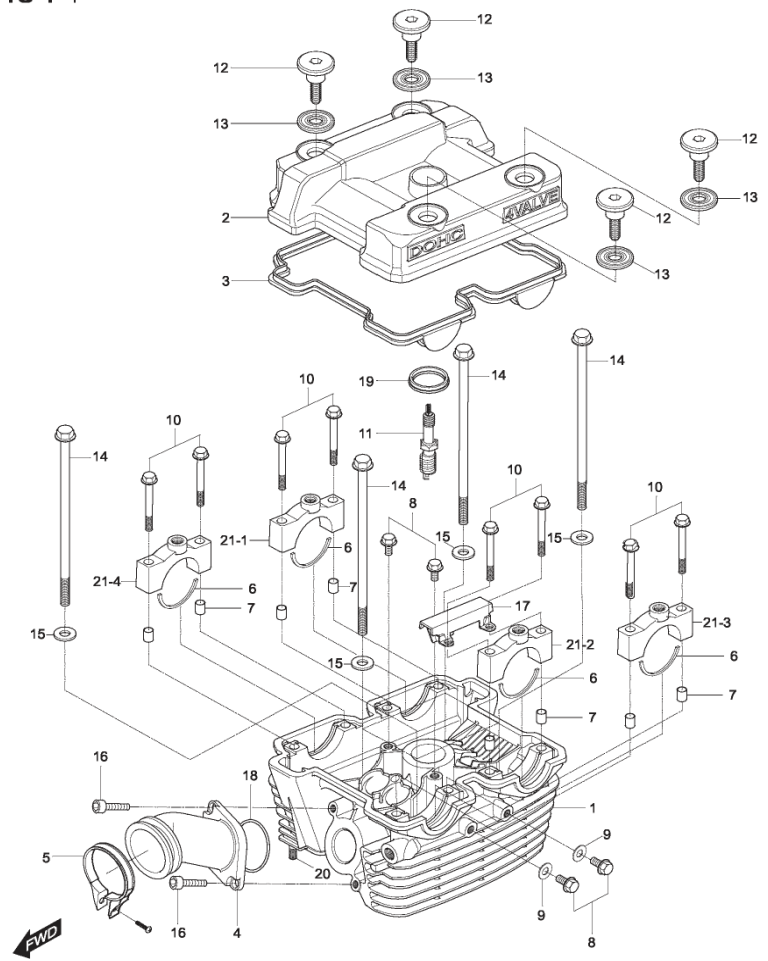


FIG 2. CYLINDER/FRONT, REAR

FIG 2

REF. PARTS NAME Q'TY
 NO. MAT01

1	11220HM8110PCY	CYLINDER COMP, rear N/A	1
		KM4MJ51B441101227~	1
1~1	11220HR8600PCY	CYLINDER COMP, rear 2007.FEB~(tention hole φ21->φ27)	1
2	11141HJ8210	GASKET, cylinder head	1
3	11241HG5103	GASKET, cylinder(NA)	1
4	04213-11169	PIN, cylinder head knock	2
5	11210HM8110PCY	CYLINDER COMP, front N/A	1
		KM4MJ51B441101227~	
5~1	11210HR8600PCY	CYLINDER COMP, front 2007.FEB~(tention hole φ21->φ27)	1
6	11141HJ8210	GASKET, cylinder head	1
7	11241HG5103	GASKET, cylinder	1
8	04213-11149	KNOCK PIN, cylinder	2
9	04213-11149	KNOCK PIN, cylinder	2
10	04213-11169	PIN, cylinder head knock	2
11	11251HG510003S	FIN, cylinder(FRONT)	1
12	07110-05168	BOLT, cylinder fin(FRONT)(M5×1	2
13	11251HG510003S	FIN, cylinder(REAR)	1
14	07110-05168	BOLT, cylinder fin(REAR)(M5×16	2
15	08316-16068	NUT, cylinder head(M6)	10
16	01421-06258	BOLT, cylinder stud(M6×25)	4

Notes
 The early cylinders 11220HM8110PCY and 11210HM8110PCY are no longer made for production and are in short supply. Please order the later style 11220HR8600PCY or 11210HR8600PCY and the tensioners to fit 12830HR6500 tensioner 12837HP7600 gasket

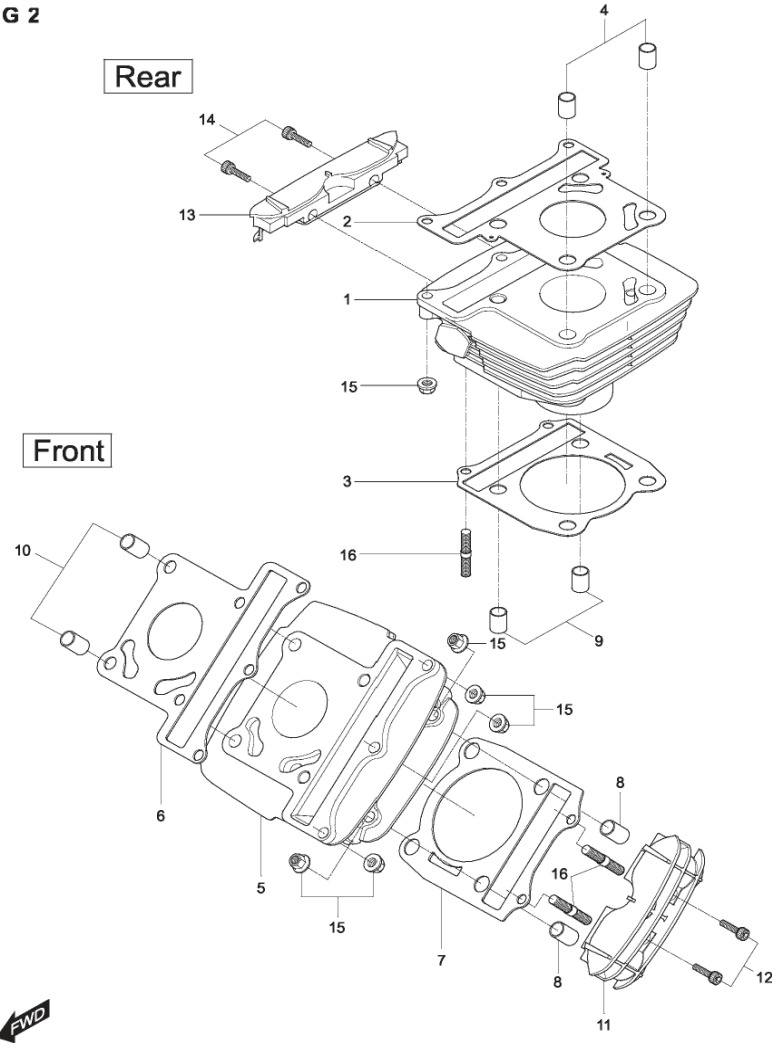
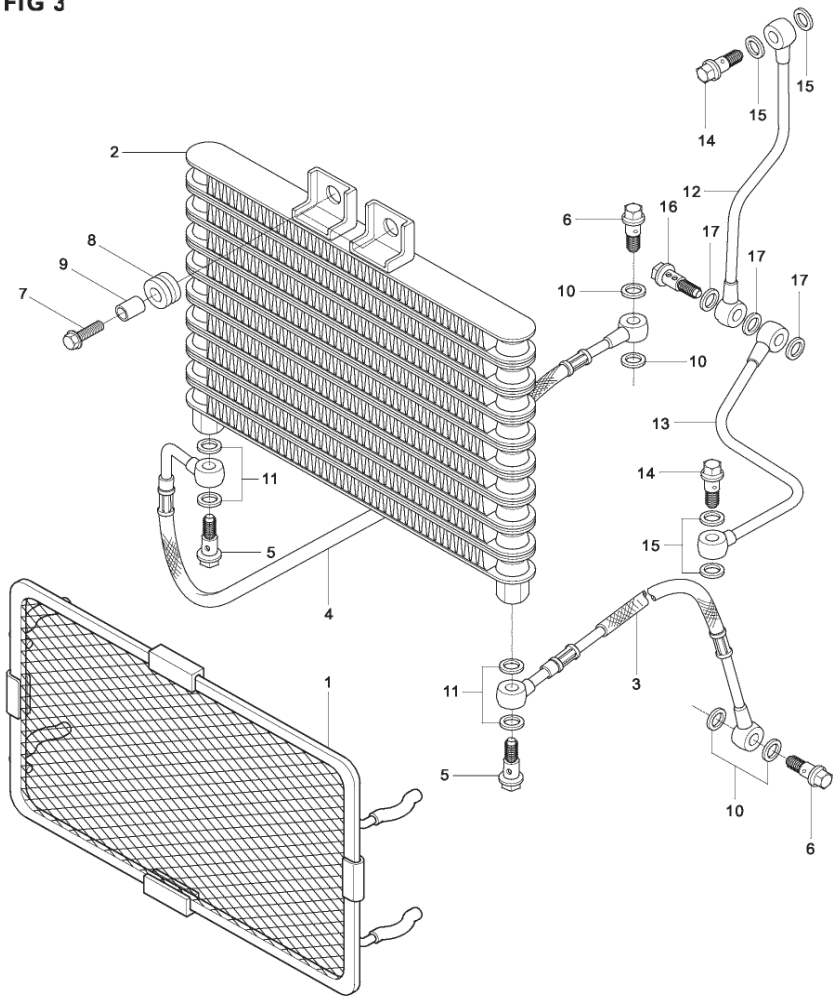


FIG 3. OIL COOLER

REF. PARTS NAME Q'TY
 NO. MAT01

1	16810HJ8201	GRILLE COMP, oil cooler NO.1	1
2	16600HJ8200121	COOLER ASS'Y, oil	1
3	16460HG5120	HOSE COMP, oil cooler NO.1	1
4	16470HJ8200	HOSE COMP, oil cooler NO.2	1
5	09360H12007	BOLT, oil cooler hose union NO.2(2
6	09360H10034	BOLT, oil cooler hose union NO.1(2
7	09116-06143	BOLT, oil cooler(M6×14)	2
8	09320-10015	CUSHION, oil cooler	2
9	09180-06030	SPACER, oil cooler	2
10	09161-10009	GASKET, oil cooler NO.1	4
11	09168-14011	GASKET, oil cooler NO.2	4
12	11280HG5101	PIPE COMP, oil front	1
13	11290HG5101	PIPE COMP, oil rear	1
14	09360H10034	UNION BOLT, oil pipe upper(M10	2
15	09161-10009	GASKET, oil pipe upper	4
16	15331HG5101	UNION BOLT, oil pipe lower	1
17	09161-10009	GASKET, oil pipe lower	3

FIG 3



FWD

FIG 4. CRANK CASE

REF.	PARTS NAME	Q'TY
NO. MAT01		
0	11300HM8100HPA CRANK CASE ASS'Y	1
1	11320HM8100PCC CRANK CASE COMP, L	1
2	11310HM8100PCC CRANK CASE COMP, R	1
3	09364-12001 UNION, breather hose	1
4	09103H10022 BOLT, frame & engine(L=110)	3
5	08319-31106 NUT, frame & engine(M10)	3
6	04213-13189 PIN, crank case knock	2
7	11319-05200 PLATE, oil gallery plug	1
8	01107-06106 BOLT, oil gallery plug plate(M6×11)	1
9	01547-06558 BOLT, crank case(M6×55)	6
10	01547-06808 BOLT, crank case(M6×80)	5
11	02112-06908 SCREW, crank case(M6×90)	1
12	09401-14301 CLIP, breather drain cap	1
13	13870H29B00 CAP COMP,breather drain	1
14	09404-06404 CLAMP, crank case	2

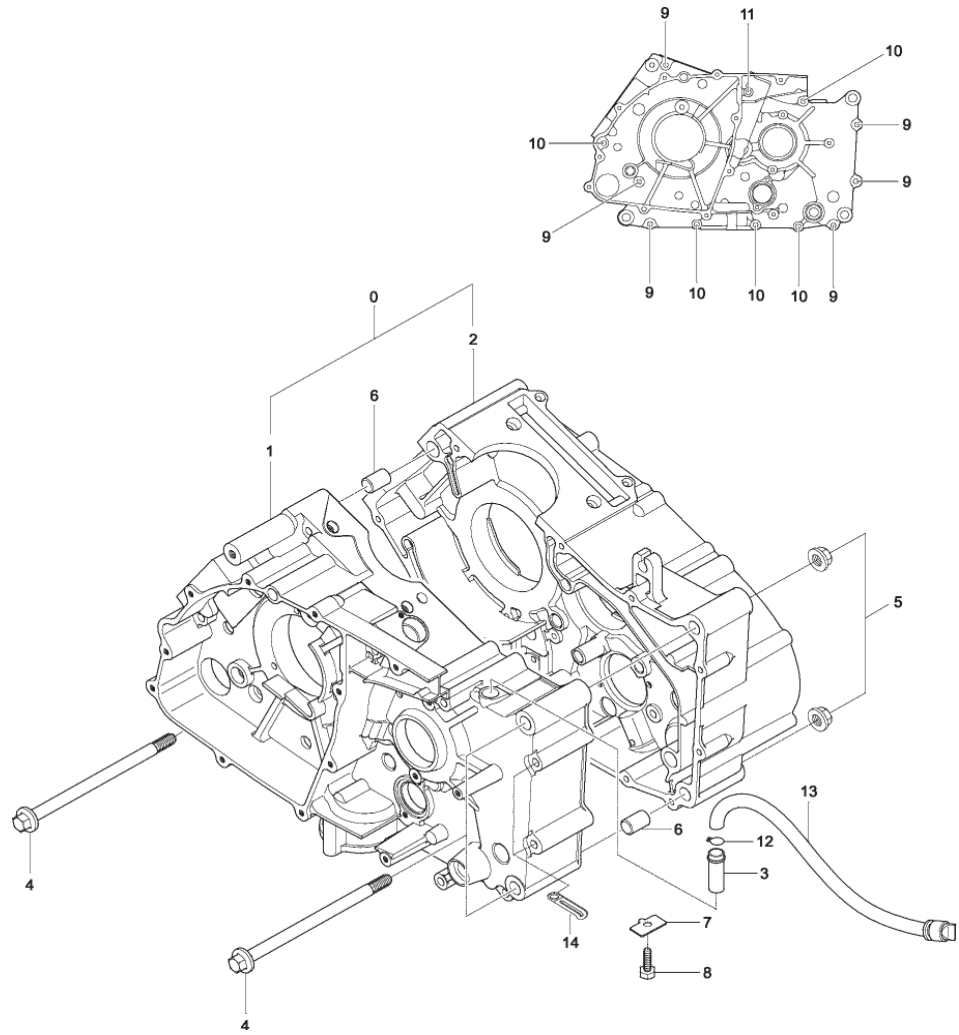


FIG 5. CRANK CASE COVER

FIG 5

REF. PARTS NAME Q'TY
NO. MAT01

REF.	PARTS NAME	Q'TY
1	11341SM8100HPA COVER COMP, clutch	1
2	11351HJ820303S COVER , magneto	1
3	11482HG5102 GASKET, clutch cover(NA)	1
4	11483HG5102 GASKET, magneto cover(NA)	1
5	09247-14026 PLUG, oil check	1
6	09168H14003 GASKET, oil check plug	1
7	09259-2000903S PLUG, eng oil filler	1
8	09280-17003 O-RING, eng oil filler plug(16.8×2.	1
9	04213-13189 PIN, clutch cover knock	2
10	04213-09129 PIN, magneto cover knock	1
11	01547-06308 BOLT, magneto cover(M6×30)	7
12	01547-06708 BOLT, magneto cover(M6×55)	2
13	09403H09304 CLAMP, clutch cable	1
14	09259-2601503S PLUG, crank shaft hole	1
15	09280-22008 O-RING, crank shaft hole plug(22.7	1
16	01547-06258 BOLT, clutch cover(M6×25)	6
17	01547-06358 BOLT, clutch cover(M6×35)	2
18	01547-06608 BOLT, clutch cover(M6×60)	1
19	01547-06758 BOLT, clutch cover(M6×75)	1
20	09247H12102 PLUG, T.D.C	1
21	09168H12003 GASKET, T.D.C plug	1
22	11360HM810103S COVER COMP, engine sprocket	1
23	01547-06308 BOLT, engine sprocket cover(M6×	2
24	01547-06408 BOLT, engine sprocket cover(M6×	1
25	08321-31068 WASHER, engine sprocket cover	3
26	09404-06401 CLAMP, crank case	3
27	11971-45010 Lens, oil level	

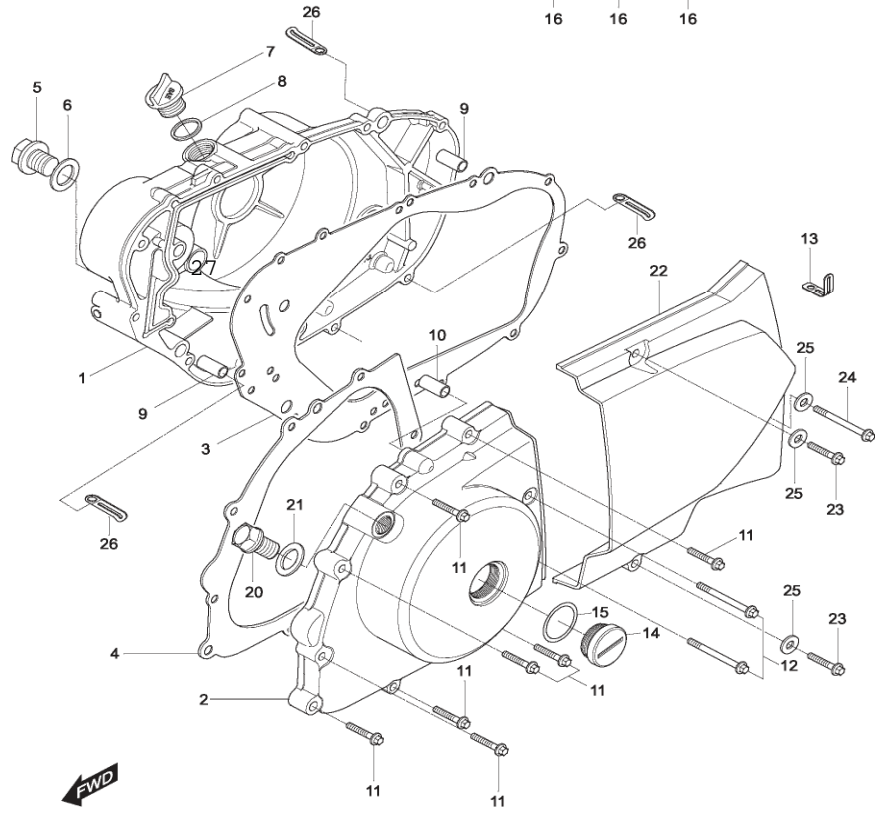
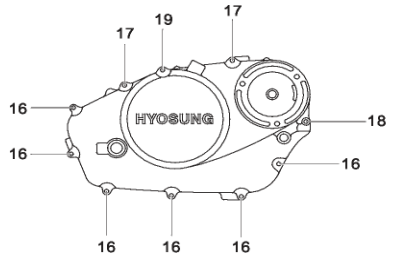


FIG 6. CRANK SHAFT

REF.	PARTS NAME	Q'TY	
NO. MAT01			
1	12200HJ8200HPA	CRANK SHAFT ASS'Y	1
2	12161HJ8200	ROD, connecting	1
3	09263H30002	BEARING, crank pin(30×38×15.8)	2
4	12211HJ8202HPA	PIN COMP, crank	1
5	12221HJ8203CSA	CRANK SHAFT, R	1
6	12261HJ8203CSA	CRANK SHAFT, L	1
7	09262H350A60A0	BEARING, crank shaft, R(35×72×1	1
8	09262H350A60A0	BEARING, crank shaft, L(35×72×1	1
9	21111HJ8201	GEAR, primary drive	1
10	21112HJ8200	GEAR, primary drive NO.2	1
11	09421H05001	KEY, primary drive gear	1
12	21114-35C00	SPRING, primary drive gear	3
13	09166H16021	WASHER, primary drive gear thrus	1
14	09140-16019	NUT, primary drive gear(M16)	1
15	09282-12001	SEAL, crank shaft oil rh(21×7)	1
16	12111HM8101PPS	PISTON, rear	1
17	12151-30B00	PIN, piston	1
18	09381-15001	CIRCLIP, piston pin	2
20	12141-16E00	RING, piston 1st	1
21	12142-16E00	RING, piston 2nd	1
22	12144-16E00	RING, piston oil	1
23	12161HJ8200	ROD, connecting	1
24	12111HM8101PPS	PISTON, front	1
25	12151-30B00	PIN, piston	1
26	09381-15001	CIRCLIP, piston pin	2

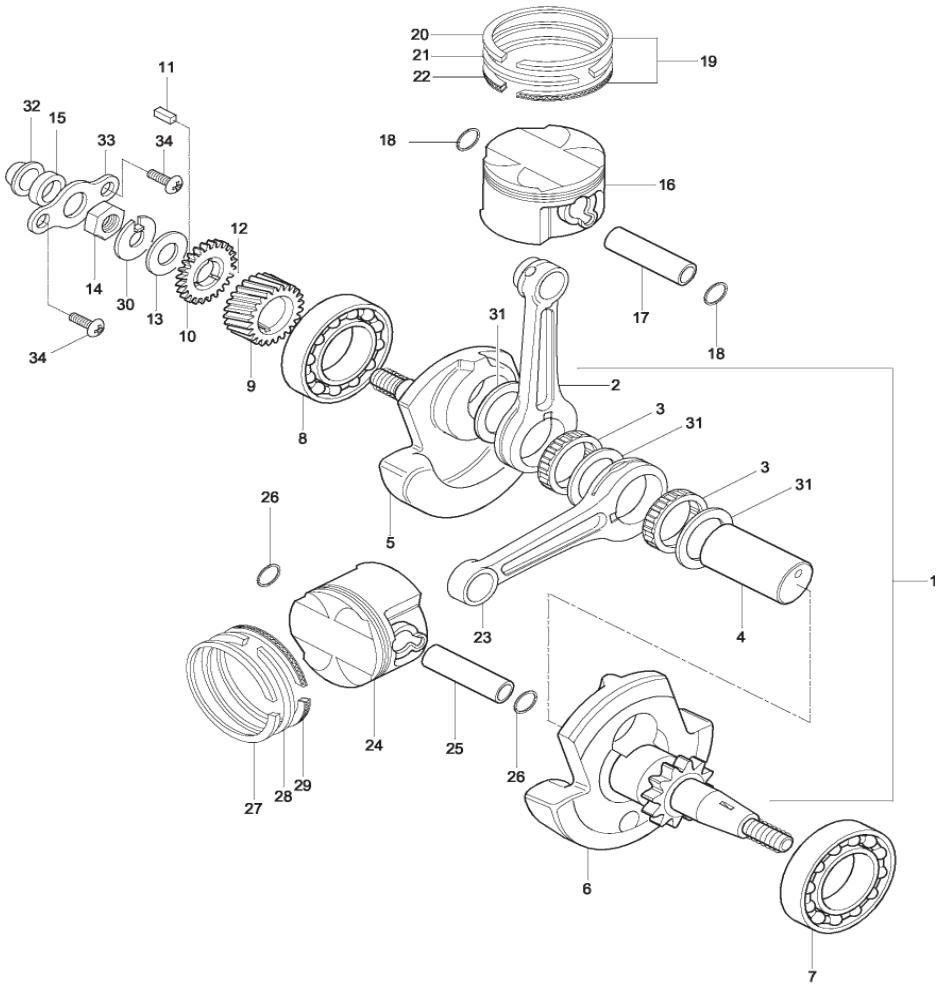


FIG 6. CRANK SHAFT

REF.	PARTS NAME	Q`TY	
NO. MAT01			
27	12141-16E00	RING, piston 1st	1
28	12142-16E00	RING, piston 2nd	1
29	12144-16E00	RING, piston oil	1
30	09166H16032	WASHER, primary drive gear lock	1
31	09160H30001	WASHER	3
32	11342HG5100	JET	1
33	11343HG5100	RETAINER	1
34	02112-06108	SCREW(M6×10)	2

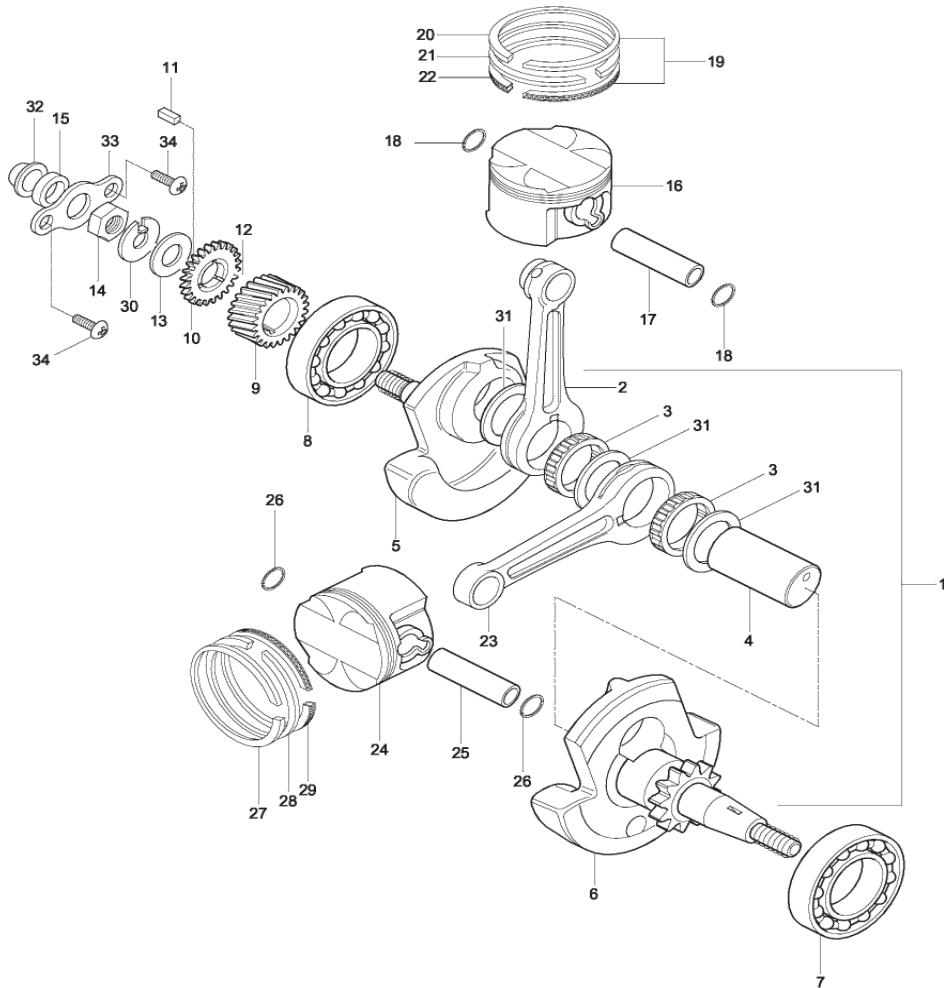


FIG 7. STARTER CLUTCH

FIG 7

REF. PARTS NAME Q'TY
 NO. MAT01

1	12611HJ8200	GEAR, starter idle	1
2	12612HG5100	SHAFT, starter idle gear	1
3	09180-13006	SPACE, starter idle gear	1
4	12620HJ8204	GEAR COMP, starter clutch	1
5	09304H25002	BUSH, starter clutch gear	1
6	07110-08168	BOLT, starter clutch(M6×16)	3
7	12622HJ8201	GEAR, starter clutch	1
8	12621HJ8200	RACE, starter clutch gear inner	1
9	12614HJ8200	CLUTCH, starter one way	1

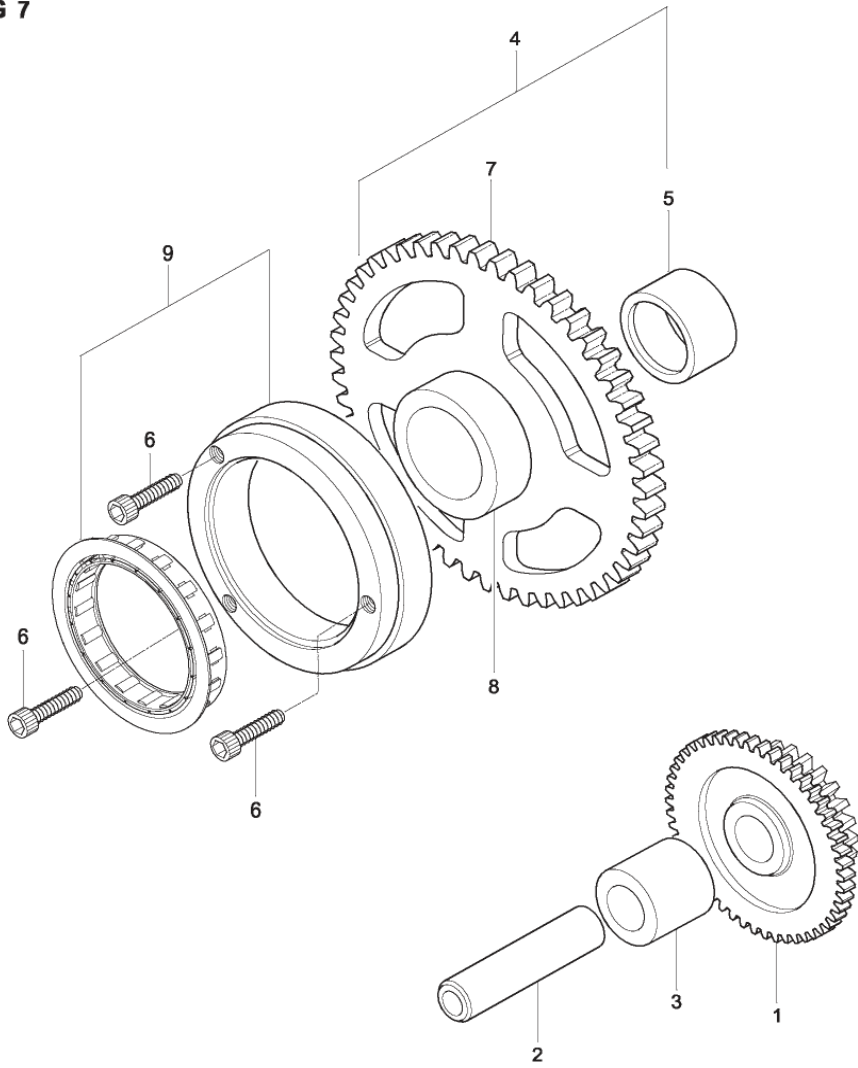


FIG 8-1. CAMSHAFT REAR FIG 8-1

REF. PARTS NAME Q'TY
 NO. MAT01

1	12711HM8100888	CAMSHAFT, intake rear	1
2	09262-17019	BEARING, camshaft rear(22.4X29.	4
3	12742HJ8200	SPROCKET, camshaft rear	2
4	12747-44B00	WASHER, sprocket rear	2
5	09261-05005	PIN, sprocket rear	2
6	09111-06032	BOLT, sprocket rear(M6X10)	4
7	12721HJ8200888	CAMSHAFT, exhaust rear	1
8	12911HJ8200	VALVE, intake rear	2
9	12912HJ8200	VALVE, exhaust rear	2
10	12921HJ8200	SPRING, valve rear	4
11	12931HJ8200	RETAINER, valve spring rear	4
12	12932HJ8200	COTTER, valve rear	8
13	12892-05C00(#170)	SHIM, tappet rear	4
14	12881HJ8200	TAPPET, rear	4
15	09289H04002	SEAL, valve stem oil rear(4X7.2X8	4
16	12933HJ8200	SEAT, valve spring rear	4
17	12720HM8100HPA	CAMSHAFT ASS'Y, rear intake	1
18	12750HJ8201HPA	CAMSHAFT ASS'Y, rear exhaust	1

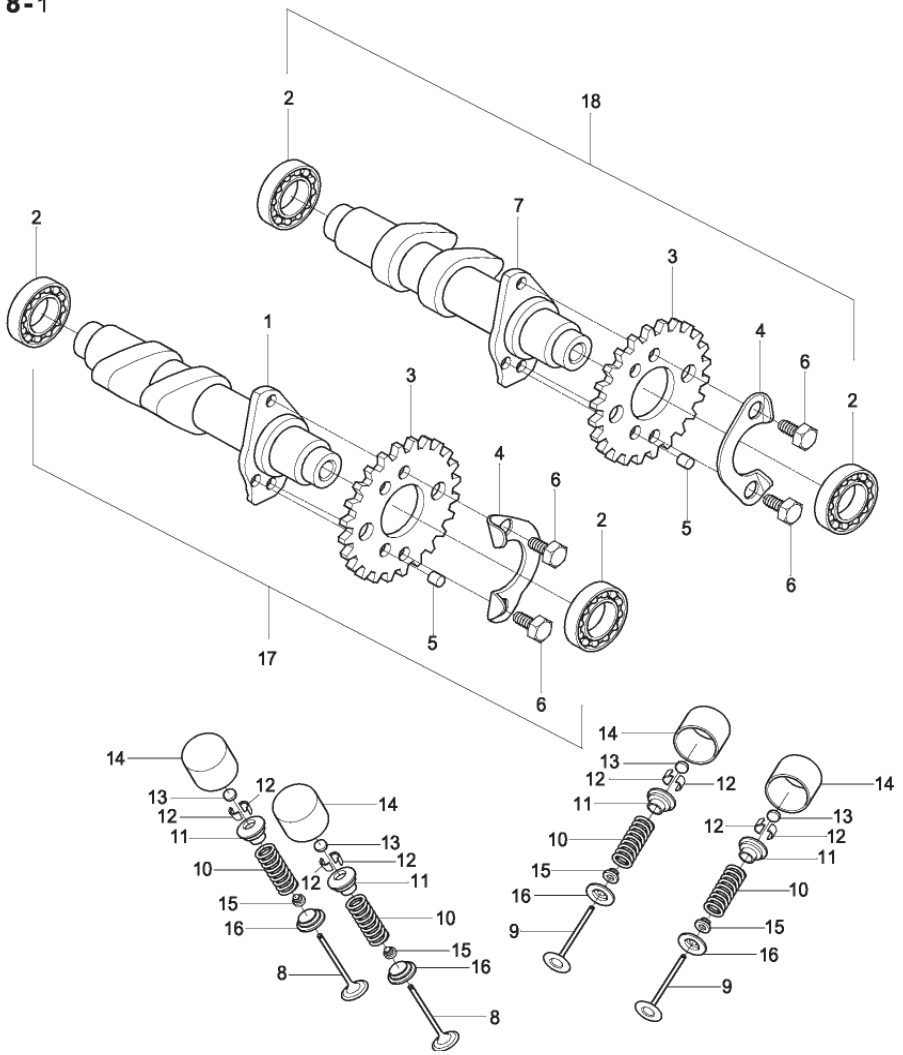


FIG 8-2. CAMSHAFT FRONT

FIG 8-2

REF. PARTS NAME Q'TY
 NO. MAT01

1	12711HJ8200888	CAMSHAFT, intake front	1
2	09262-17019	BEARING, camshaft front(22.4X25)	4
3	12741H16E00	SPROCKET, camshaft front	2
4	12747-44B00	WASHER, sprocket front	2
5	09261-05005	PIN, sprocket front	2
6	09111-06032	BOLT, sprocket front(M6X10)	4
7	12721HJ8200888	CAMSHAFT, exhaust front	1
8	12911HJ8200	VALVE, intake front	2
9	12912HJ8200	VALVE, exhaust front	2
10	12921HJ8200	SPRING, valve front	4
11	12931HJ8200	RETAINER, valve spring front	4
12	12932HJ8200	COTTER, valve front	8
13	12892-05C00(#170)	SHIM, tappet front	4
14	12881HJ8200	TAPPET, front	4
15	09289H04002	SEAL, valve stem oil front(4X7.2X)	4
16	12933HJ8200	SEAT, valve spring front	4
17	12710HJ8200HPA	CAMSHAFT ASS'Y, front intake	1
18	12730HJ8200HPA	CAMSHAFT ASS'Y, front exhaust	1

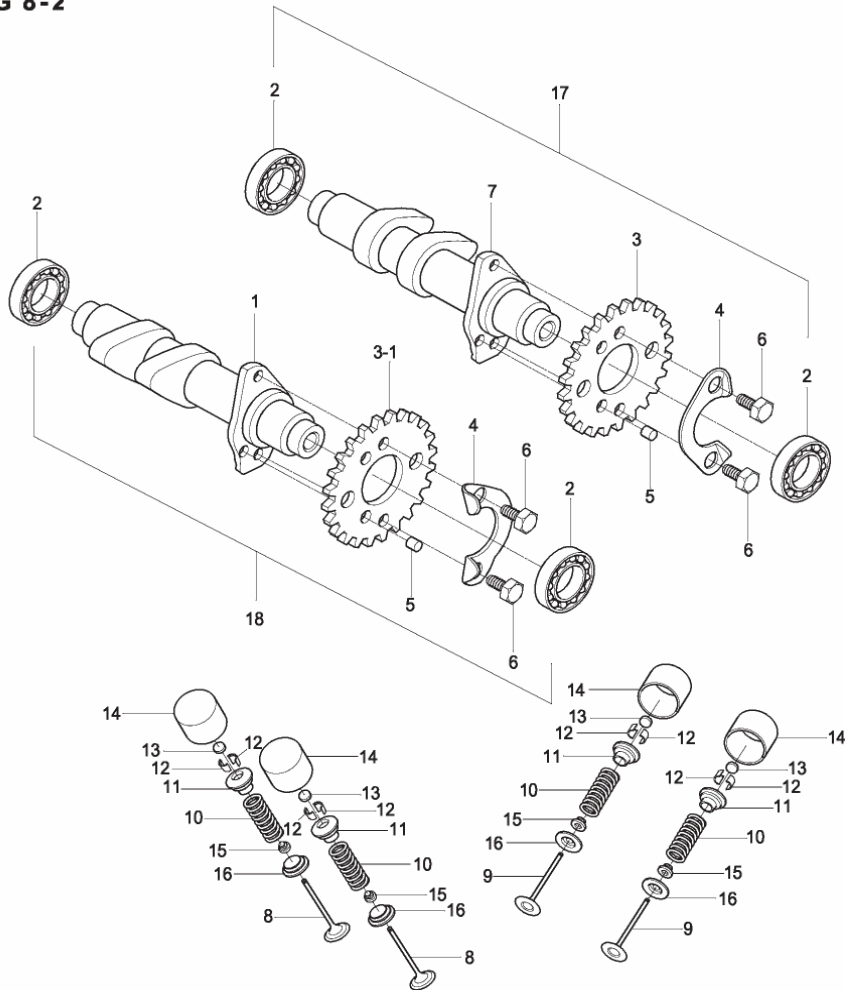


FIG 9. CAM CHAIN

REF.	PARTS NAME	Q'TY
NO. MAT01		
1	12760-16E00 CHAIN COMP, camshaft drive(124	2
2	12771-16E00 GUIDE, camchain NO.1	2
3	12811HJ8200 TENSIONER, camchain	2
4	08211-06181 WASHER, camchain tensioner bolt	2
5	12812H35C00 BOLT, camchain tensioner(M6× 23	2
6	12837H31321 GASKET, tensioner adjuster	2
6-A	12837HP7600 GASKET, tensioner adjuster 2007.FEB~(ten's holeφ21->φ27)	2
7	12830H31320 ADJUSTER ASS'Y, tensioner	2
7-A	12830H88600 ADJUSTER ASS'Y, tensioner 2007.FEB~(ten's holeφ21->φ27)	2
8	07110-06208 BOLT, tensioner adjuster(M6× 23)	4
9	12839-38200 PLUG, adjuster	2
9-A	12839HN9120 SCREW, adjust tensioner 2007.FEB~(ten's holeφ21->φ27)	2
10	12838HP7600 O'ring adj (not shown)	

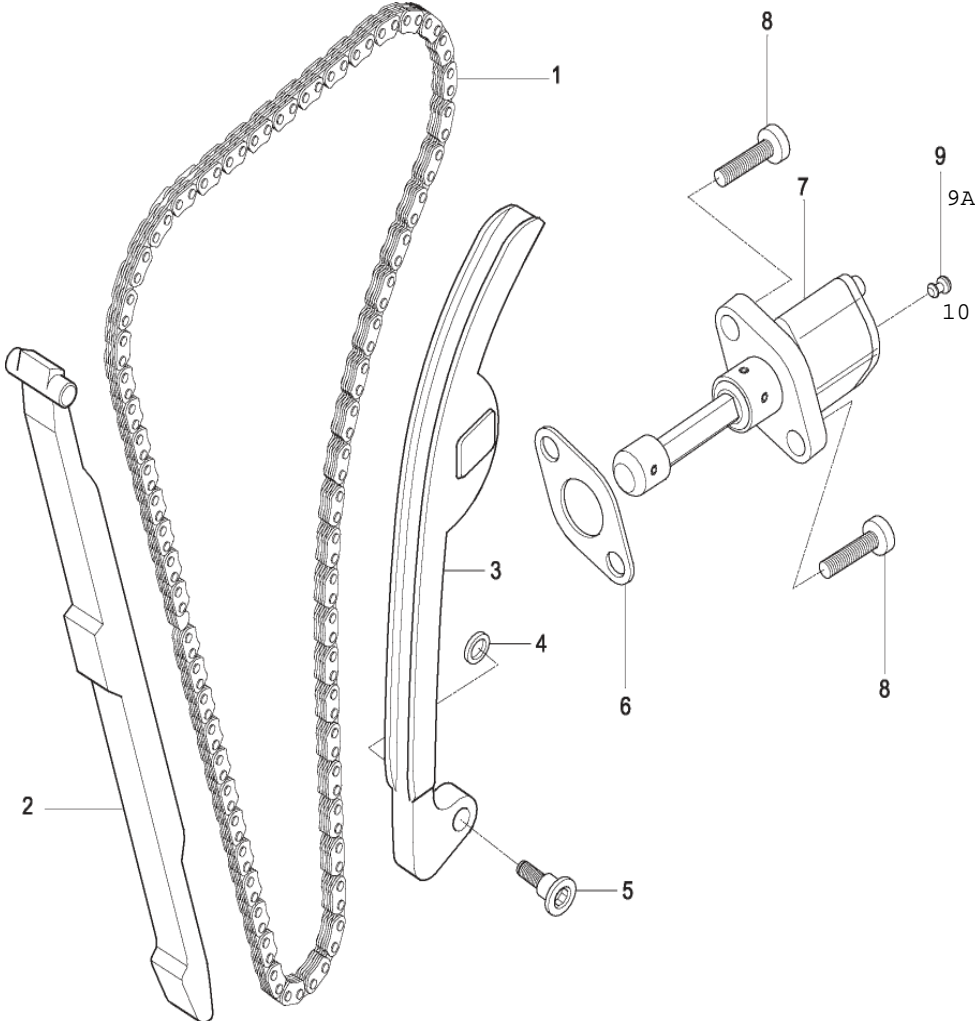


FIG 10. CARBURETOR ASS'Y

REF. PARTS NAME Q'TY
 NO. MAT01

0	13200HM8101	CARBURETOR ASS'Y	1
1	13301HG5100	MIXING BODY ASS'Y	1
2	13302HG5100	MIXING BODY ASS'Y	1
3	13303HG5100	THROTTLE VALVE	2
4	13304HG5100	SCREW	4
5	13305HG5100	PLUG	2
6	13306HG5100	O-RING	2
7	13307HG5100	SPRING(CO)	2
8	13308HG5100	ADJUSTER	2
9	13309HG5100	WASHER	2
10	13310HG5100	DIAPHRAGM COVER	2
11	13311HG5100	SPRING(CO)	2
12	13312HG5100	SCREW	2
13	13313HG5100	RING	2
14	13314HG5100	SPRING(CO)	2
15	13315HG5100	E-RING	2
16	13316HG5100	RING	1
17	13317HG5100	SEAL	1
18	13318HG5100	BOLT	2
19	13319HG5100	RING	1
20	13320HG5100	SPRING(CO)	1
21	13321HG5100	PACKING	1
22	13322HG5100	SHAFT ASS'Y	1
23	13323HG5100	O-RING	2
24-1	13324HM8100	MAIN JET	1
24-2	13325HM8100	MAIN JET	1
25	13326HG5100	PACKING	2

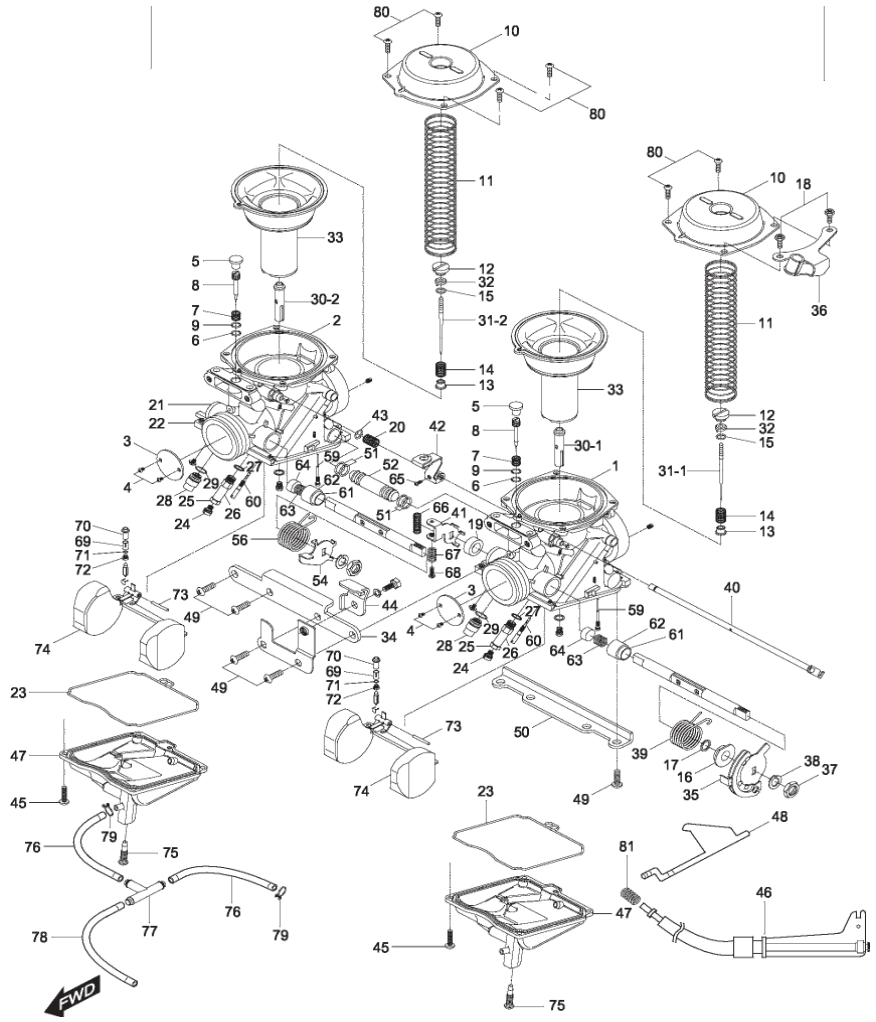


FIG 10. CARBURETOR ASS'Y

REF. PARTS NAME Q'TY
 NO. MAT01

26	13327HG5100	HOLDER	2
27	13328HG5100	WASHER	2
28	13329HG5100	SCREW	2
29	13330HG5100	WASHER	2
30-1	13331HM8100	NEEDLE(JET AB)(NJ)	1
30-2	13332HM8100	NEEDLE(JET AB)(NJ)	1
31-1	13333HM8100	JET NEEDLE(JN)	1
31-2	13334HM8100	JET NEEDLE(JN)	1
32	13337HG5100	RING	2
33	13338HG5100	DIAPHRAGM ASS'Y	2
34	13339HG5100	PLATE	1
35	13340HG5100	LEVER ASS'Y	1
36	13341HG5100	BRACKET ASS'Y	1
37	13342HG5100	NUT	1
38	13343HG5100	WASHER	1
39	13344HG5100	SPRING(CO)	1
40	13345HG5100	SHAFT ASS'Y	1
41	13346HG5100	THROTTLE SHAFT ASS'Y	1
42	13347HG5100	STARTER LEVER	1
43	13348HG5100	E-RING	1
44	13349HG5100	BRACKET ASS'Y	1
45	13350HG5100	SCREW	8
46	13351HG5100	ADJUST SCREW ASS'Y	1
47	13352HG5100	FLOAT BODY ASS'Y	2
48	13353HG5100	BRACKET	1
49	13354HG5100	SCREW	8
50	13355HG5100	PLATE	1

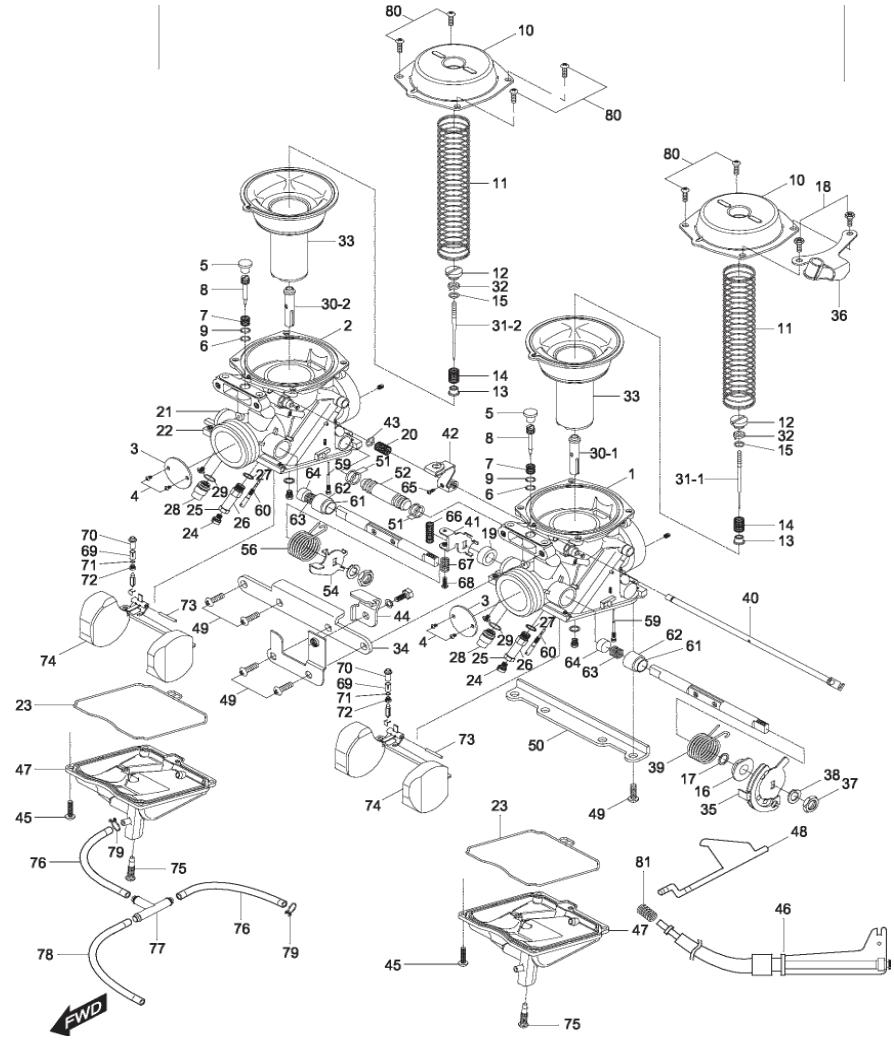


FIG 10. CARBURETOR ASS'Y

REF. PARTS NAME Q'TY
 NO. MAT01

51	13356HG5100	O-RING	4
52	13357HG5100	NIPPLE	1
53	13358HG5100	HOSE	1
54	13359HG5100	THROTTLE LEVER	1
55	13360HG5100	NIPPLE	1
56	13361HG5100	SPRING(CO)	1
57	13362HG5100	HOSE	1
58	13363HG5100	HOSE	1
59	13364HM8100	JET(PAJ)	2
60	13365HM8100	JET(PJ)	2
61	13366HG5100	CAP	2
62	13367HG5100	GUIDE HOLDER	2
63	13368HG5100	SPRING(CO)	2
64	13369HG5100	PLUNGER ASS'Y	2
65	13370HG5100	SCREW	1
66	13371HG5100	SPRING(CO)	1
67	13372HG5100	SPRING(CO)	1
68	13373HG5100	SCREW	1
69	13374HG5100	FILTER	2
70	13375HG5100	NEEDLE VALVE ASS'Y(VS)	2
71	13376HG5100	O-RING	2
72	13377HG5100	SCREW	2
73	13378HG5100	PIN	2
74	13379HG5100	FLOAT ASS'Y	2
75	13380HG5100	SCREW	2
76	13381HG5100	HOSE	2
77	13382HG5100	NIPPLE	1

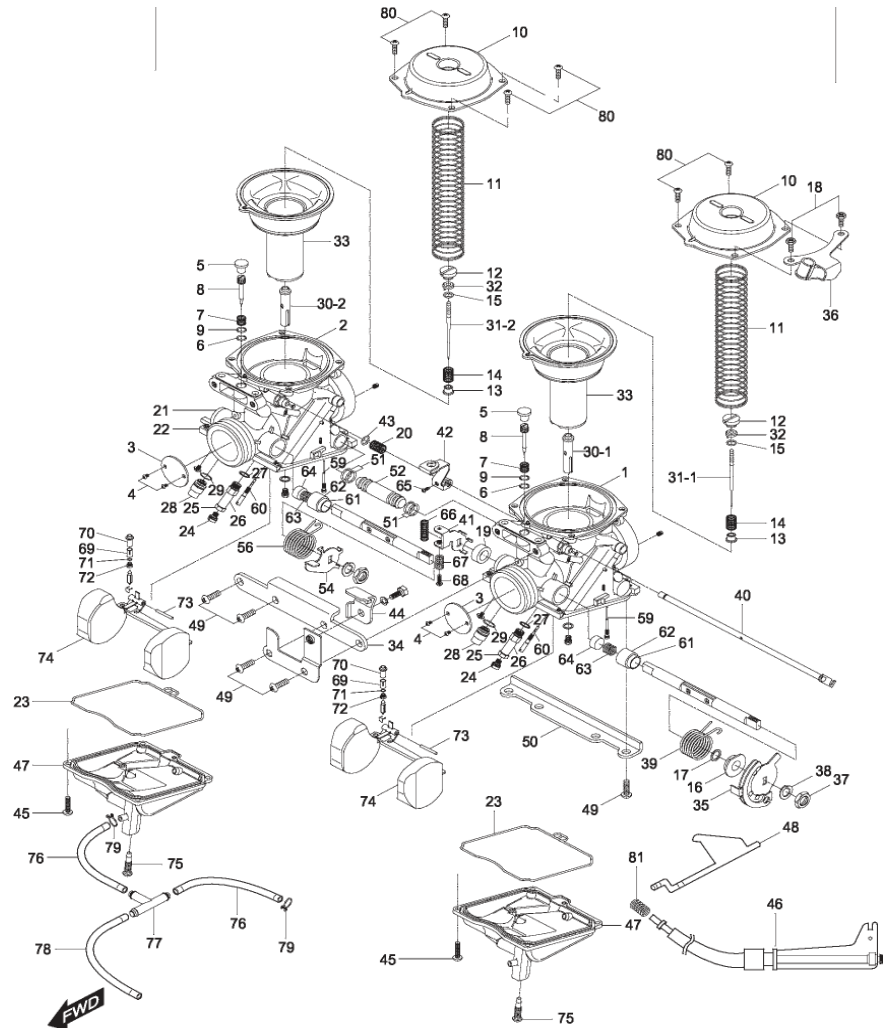


FIG 10. CARBURETOR ASS'Y

REF. PARTS NAME Q'TY
 NO. MAT01

78	13383HG5100	HOSE	1
79	13384HG5100	CLIP	2
80	13385HG5100	SCREW	6
81	13386HG5100	SPRING(CO)	1

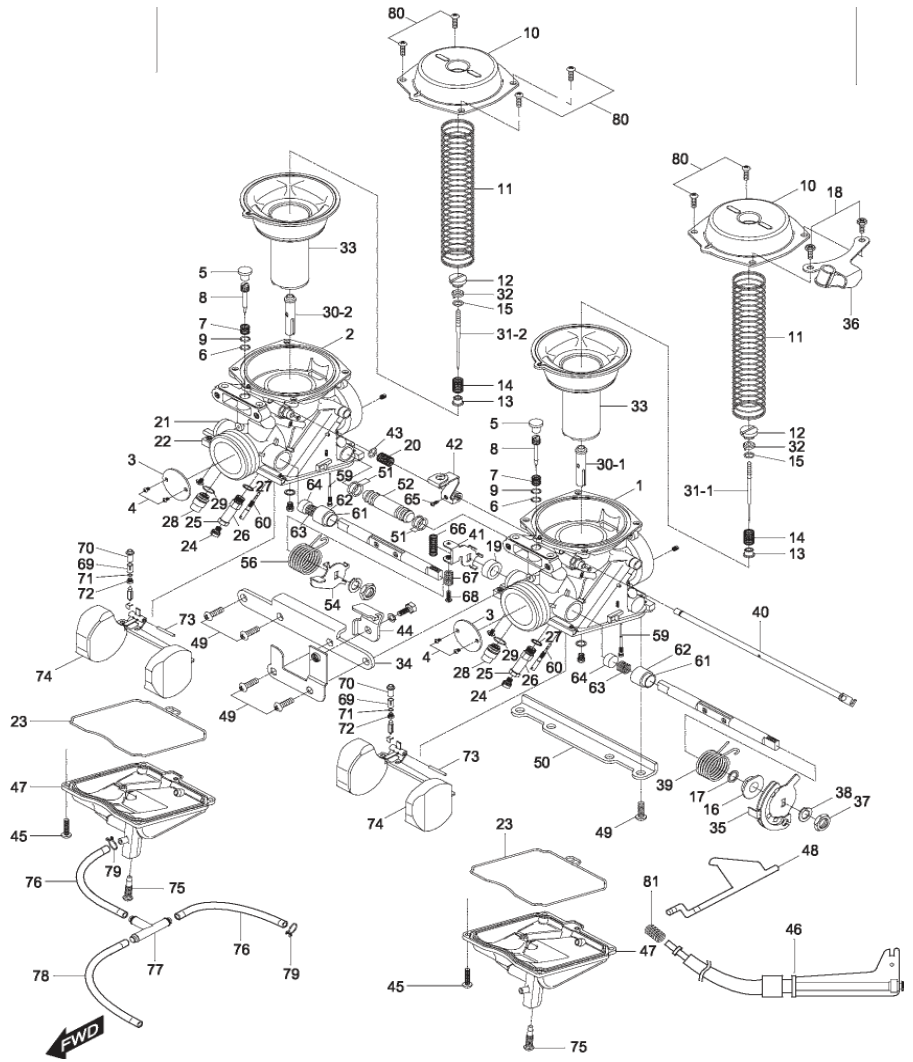


FIG 11. AIR CLEANER&CHAMBER

REF.	PARTS NAME	Q`TY
NO. MAT01		
1	13700HM8101 CLEANER ASS`Y, air	1
2	13721HM8101 CASE, air cleaner	1
3	13740HM8101 CAP COMP, air cleaner	1
4	13780HM8100 FILTER COMP, air cleaner	1
5	13881HL7300 TUBE, outlet	2
6	09402-56208 CLAMP, outlet tube	2
7	13895HF4500 PLUG, oil drain	1
8	09401-14301 CLIP, oil drain plug	1
9	02142-05165 SCREW, air cleaner filter(M5×16)	4
10	02142-16125 SCREW, air cleaner(M6×12)	2

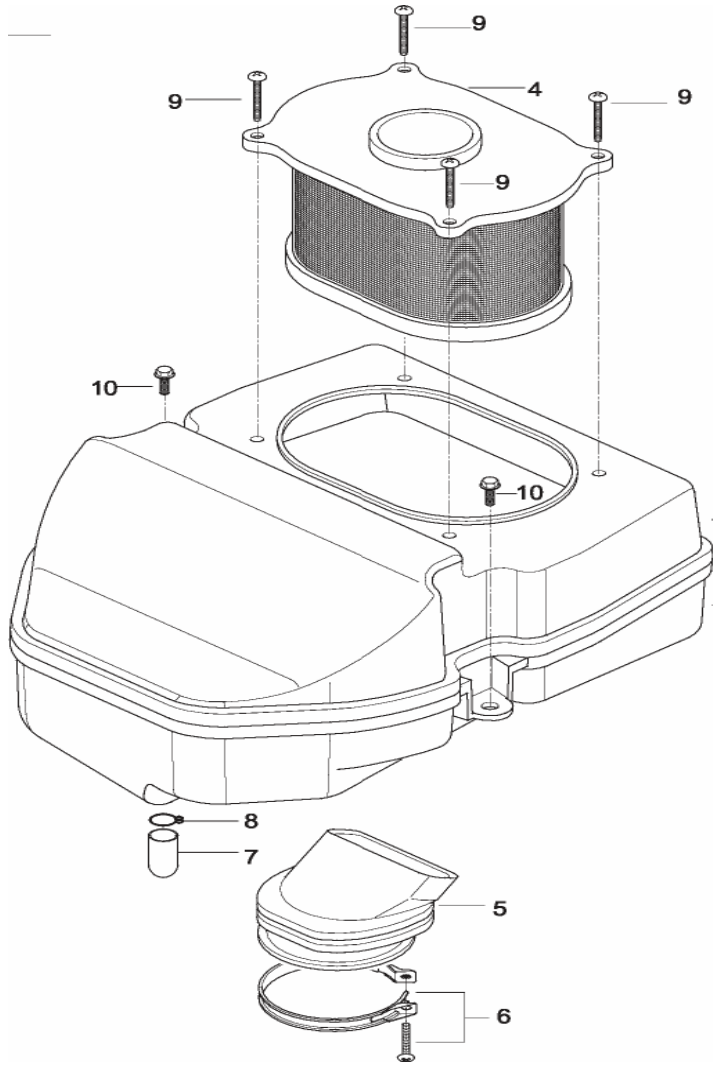


FIG 12. MUFFLER

REF.	PARTS NAME	Q'TY
NO. MAT01		
0	14305HM8105PAH MUFFLER, ASS'Y	1
1	14310HM8104PLA BODY COMP, muffler front ~ KM4MJ51B441101226	1
1-1	14310HM8105PLA BODY COMP, muffler front	1
2	14160HM8102PAM PIPE COMP, exhaust rear	1
3	14150HM8103PAM PIPE COMP, exhaust front	1
4	14411HM8100 BRACKET, muffler support	1
5	14314HM8110 GASKET, connector flange	1
6	14770HG5101PAM CONNECTOR COMP, exhaust pip	1
7	09160-10001 WASHER, exhaust pipe connector	1
8	14773HG5100 GASKET, connector exhaust pipe	1
9	01137-08358 BOLT, connector exhaust pipe(M8)	1
10	01421-08258 STUD BOLT, exhaust pipe(M8×35)	4
11	09143H08001 NUT, exhaust pipe(M8)	4
12	07110-10358 BOLT, muffler support	1
13	09160-10102 WASHER, muffler support	1
14	08316-26108 NUT, muffler support rear	1
15	09119H06002 BOLT, connector flange	4
16	01137-08168 BOLT, muffler chamber bracket(M	1
17	14181-46E00 GASKET, exhaust pipe	2

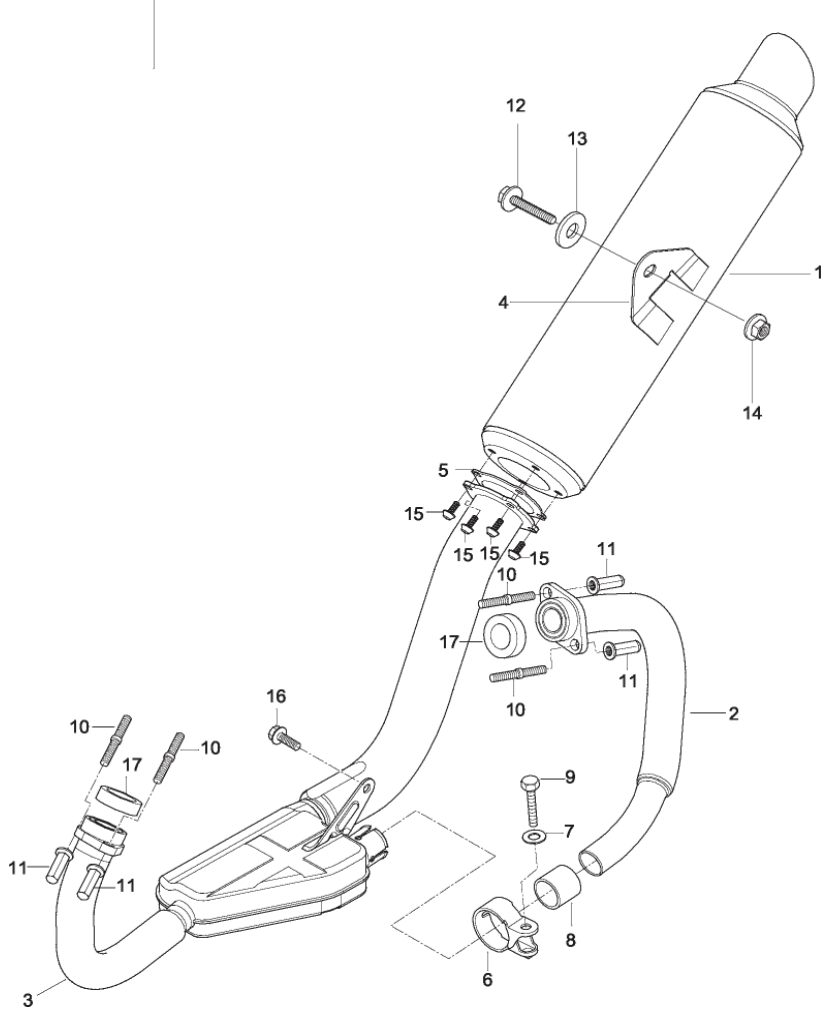


FIG 13. OIL PUMP

REF.	PARTS NAME	Q`TY
NO. MAT01		
1	16400HG5102 PUMP ASS`Y, oil	1
2	16331HG5102 GEAR, oil pump driven	1
3	09261-02001 PIN, oil pump driven gear	1
4	08332-11069 CIRCLIP, oil pump driven gear	1
5	02112-06258 SCREW, oil pump(M6×25)	3
6	16520-05202 STRAINER COMP, engine oil	1
7	02112-95126 SCREW, engine oil strainer(M5×12)	2
8	16523-05200 CAP, oil strainer	1
9	09280-60005 O-RING, strainer cap(60.5× 2.4)	1
10	01547-06208 BOLT, oil strainer cap(M6× 20)	3
11	09247-14002 PLUG, oil drain	1
11~1	09247-14019 PLUG, oil drain KM4MJ51B661103743~	1
12	09168H14003 GASKET, drain plug	1
13	16510-05240HAS FILTER COMP, engine oil	1
14	09280-13004 O-RING, oil filter(13.5×1.5)	1
15	16512HG510003S CAP, oil filter	1
16	09280-54001 O-RING, oil filter cap(25.7×3.5)	1
17	09440-18002 SPRING, oil filter cap	1
18	01421-06128 BOLT, oil filter cap stud(M6×12)	2
19	08313-11068 NUT, oil filter cap(M6)	3
20	01421-06658 BOLT, oil filter cap stud(M6×65)	1
21	16419HG5100 BUSH,oil pump	1
22	09206-08001 PIN, oil pump knock	2
23	08331-31109 CIRCLIP	2
24	08211-10181 WASHER	2
25	09180H10022 SPACER	1
26	16451HG5101 SHAFT, oil pump idle gear	1
27	16431HG5104 GEAR, oil pump idle	1

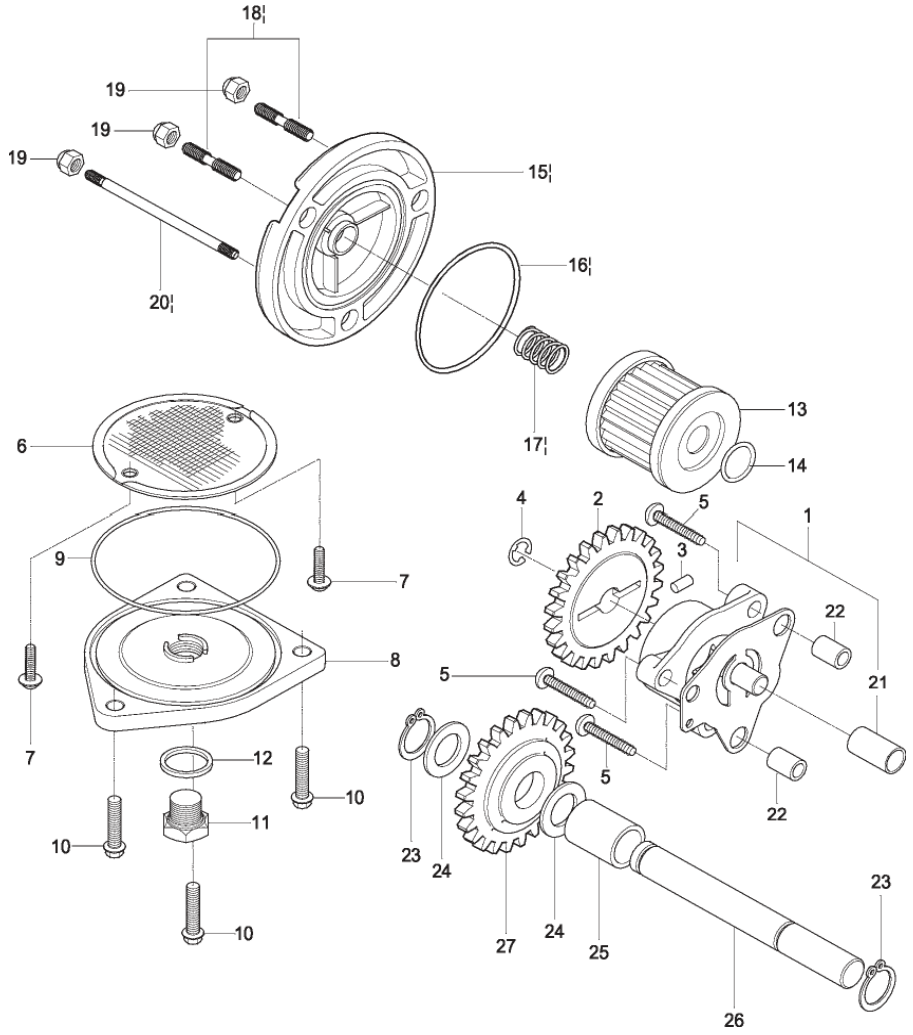


FIG 14. CLUTCH ASS'Y

REF.	PARTS NAME	Q'TY
NO. MAT01		
1	21200HJ8200HPA GEAR COMP, primary driven	1
2	02142-06108 STOPPER, clutch release camshaft	1
3	21411HJ8202 HUB, clutch sleeve	1
4	09140-16014 NUT, clutch sleeve hub(M6)	1
5	09169H16001 WASHER, clutch sleeve hub	1
6	09167H18001 THRUST WASHER, clutch sleeve	1
7	21441HJ8201 PLATE, clutch drive	6
8	21451HJ8201 PLATE, clutch driven	5
9	21462HJ8201 DISK, clutch pressure	1
10	09440H16003 SPRING, clutch	5
11	09116H05001 BOLT, clutch spring(M5× 20)	5
12	23110HJ8201 ROD COMP, clutch push ~KM4MJ51BX51103469	1
12-1	23110HJ8202 ROD COMP, clutch push KM4MJ51BX51103470~	1
12-2	23115HN9100 ROD clutch push NO.2 KM4MJ51BX51103470~	1
12-3	23113HJ8200 ROD clutch push R KM4MJ51BX51103470~	1
13	23121-05200 PIECE, clutch push ~ KM4MJ51B941101111	5
14	23122HG5100 CAM SHAFT, clutch release	1
15	08211-10201 THRUST WASHER, clutch release	1
16	09160-15015 THRUST WASHER, clutch release	1
17	09263H15001 THRUST BEARING, clutch release	1
18	09282-10007 OIL SEAL, clutch release camshaft	1
19	09134-06010 SCREW, clutch release adjuster(M6)	1
20	08310-22068 NUT, clutch release adjust(M6)	1
21	23271HJ8250 ARM, clutch release	1
22	01107-06168 BOLT, clutch release arm(M6×16)	1

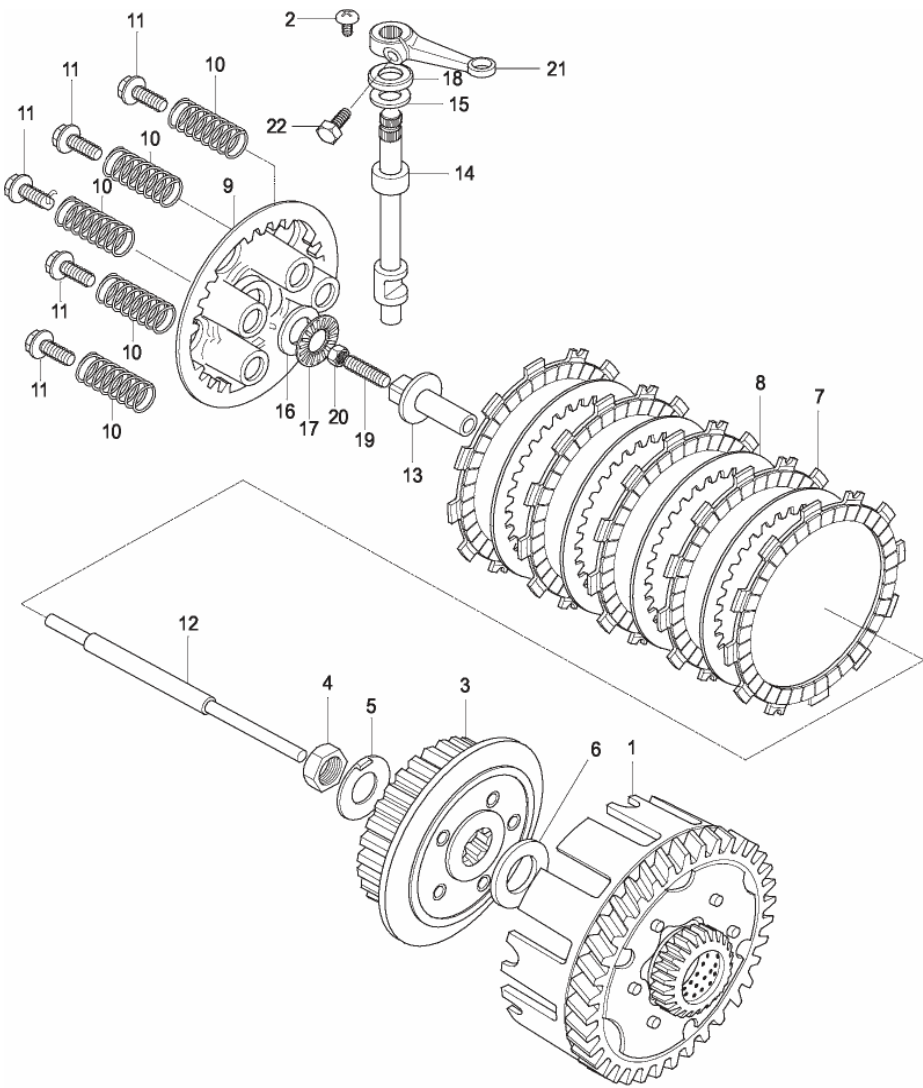


FIG 15. TRANSMISSION

REF.	PARTS NAME	Q'TY
NO. MAT01		
0	24200SJ8200HPA MISSION GEAR SET	1
1	24130HJ8200HPA DRIVE SHAFT ASS'Y	1
1-1	24130HJ8201 SHAFT COMP, drive	1
2	24121HJ8200HPA SHAFT COMP, counter	1
2-1	24121HJ8201 SHAFT, counter ~KM4MJ51B261103611	1
2-1-1	24121HJ8202 SHAFT, counter KM4MJ51B261103612~	1
3	24125-38201 BUSH, counter shaft	1
4	24221HJ8201 GEAR, 2nd drive	1
5	24241HJ8200 GEAR, 4th drive	1
6	24251HJ8202 GEAR, 5th drive	1
7	09380H20001 CIRCLIP, 5th drive gear	1
8	08110-62050 BEARING, counter shaft R(#6205)	1
9	09263H17001 BEARING, counter shaft L(24×17×	1
10	24741HG5100 RETAINER, counter shaft bearing	1
11	02122-06128 SCREW, counter shaft bearing retai	1
12	09140-16017 NUT, engine sprocket(M21)	1
13	24311HJ8200 GEAR, 1st driven	1
14	08211-17261 THRUST WASHER, 1st driven gear	1
15	09263H17008 BEARING, 1st driven gear(24×17×	2
16	24320HJ8200 GEAR COMP, 2nd driven	1
17	09380H20001 CIRCLIP, 4th driven gear	2
18	24331HJ8200 GEAR, 3rd driven	1
19	09167H18002 THRUST WASHER, 4th driven gear	1
20	24341HJ8200 GEAR, 4th driven	1
21	24351HJ8202 GEAR, 5th driven	1

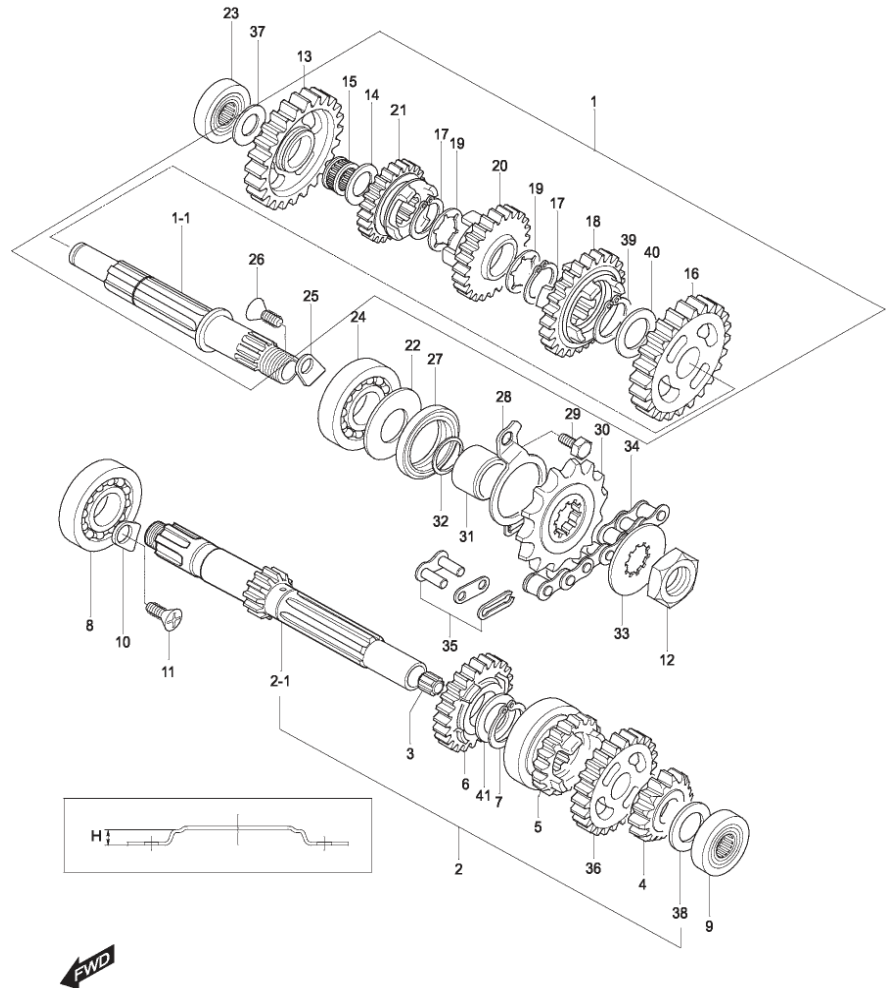


FIG 15. TRANSMISSION

REF.	PARTS NAME	Q'TY
NO. MAT01		
22	WASHER, oil sealing ~KM4MJ51B261103611	1
22~1	WASHER, oil sealing KM4MJ51B261103612~	1
23	BEARING, drive shaft R	1
24	BEARING, drive shaft L(22× 56×1	1
25	RETAINER, drive shaft bearing	1
26	SCREW, drive shaft bearing retaine	1
27	OIL SEAL, drive shaft(40×6)	1
28	RETAINER, drive shaft oil seal	1
29	BOLT, drive shaft oil seal retainer(l	2
30	SPROCKET COMP, engine 14T(#:	1
31	SPACER, engine sprocket ~KM4MJ51B261103611	1
31~1	SPACER, engine sprocket KM4MJ51B261103612~	1
32	O-RING, engine sprocket(29×2.4)	1
33	LOCK WASHER, engine sprocket	1
34	CHAIN ASS'Y, drive(#520)112Lin	1
35	JOINT, chain	1
36	GEAR COMP, 3rd drive	1
37	WASHER, drive shaft thrust	1
38	WASHER, counter shaft thrust	1
39	CILCLIP, 2nd driven gear	1
40	WASHER, 2nd driven gear	1
41	WASHER, 5th drive gear thrust	1

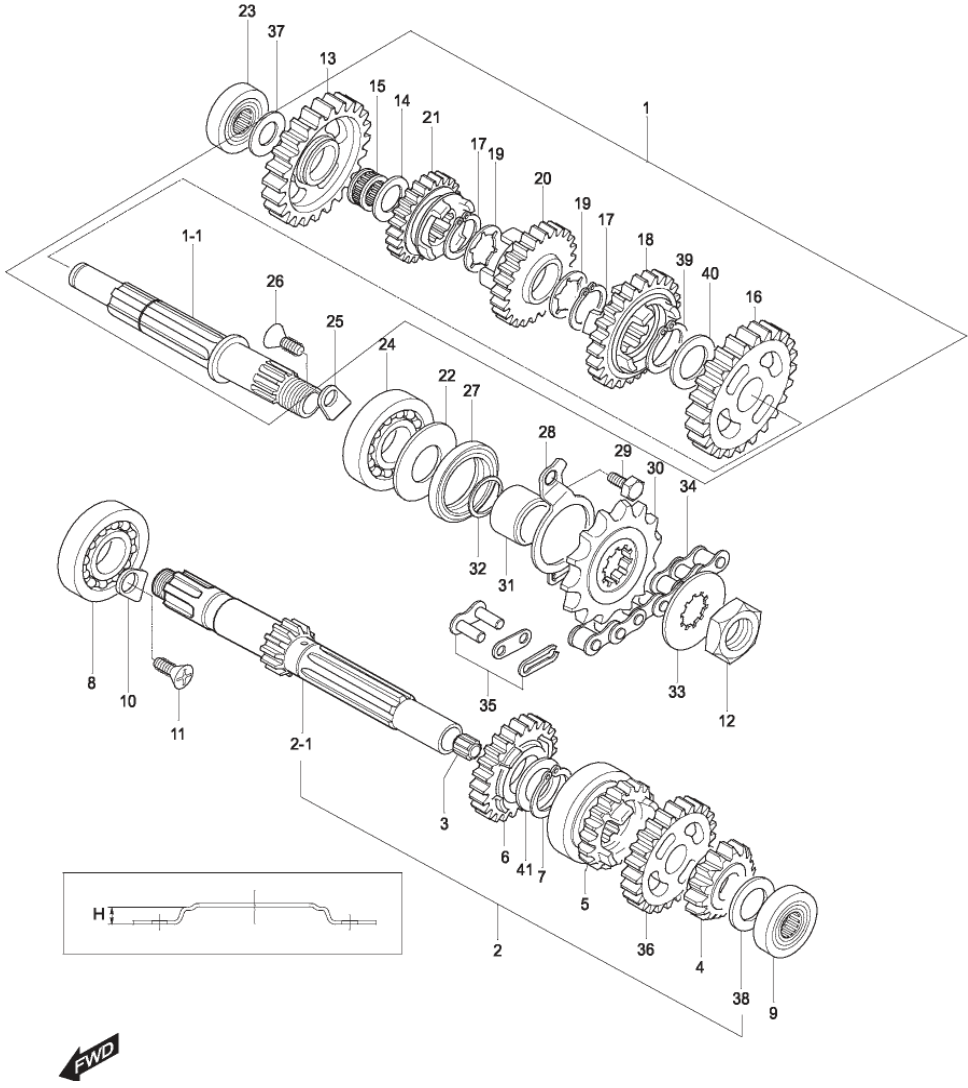


FIG 16. GEAR SHIFTING

FIG 16

REF.	PARTS NAME	Q'TY	
NO. MAT01			
1	25211HJ8200	FORK, gear shift No.1	1
2	25231HJ8200	FORK, gear shift No.3	1
3	25411-05201	SHAFT, gear shift fork No.1	1
4	25421-35403	SHAFT, gear shift fork No.2	1
5	25310HJ8200	CAM COMP, gear shift	1
6	08211-25401	WASHER, gear shift cam	1
7	25322-31301	GEAR, gear shift cam driven	1
8	25323-34201	PAWL, gear shift No.1	1
9	25324-34201	PAWL, gear shift No.2	1
10	09261-05003	PIN, gear shift pawl click	2
11	09440-04003	SPRING, gear shift pawl return	2
12	25331-30000	LIFTER, gear shift pawl	1
13	02122-06128	SCREW, gear shift pawl	2
14	25341HG5100	GUIDE, gear shift cam	1
15	02122-06128	SCREW, gear shift pawl lifter(M6×	2
16	25350HG5100	STOPPER COMP, gear shift cam	1
17	09111-06019	BOLT, gear shift cam stopper(M10	1
18	08211-06141	WASHER, gear shift cam stopper	1
19	09440H11020	SPRING, gear shift cam stopper	1
20	09443H08044	SPRING, gear shift cam stopper arm	1
21	09223-04001	HOOK, gear shift shaft spring	1
22	25351-30010	STOPPER, gear shift cam neutral	1
23	25381-45400	PLATE, gear shift cam stopper	1
24	04221-04069	PIN, gear shift cam stopper plate	1
25	09247-14026	PLUG, gear shift cam stopper	1
26	09168H14003	WASHER, gear shift cam stopper p	1
27	25510HG5101	SHAFT COMP, gear shift	1

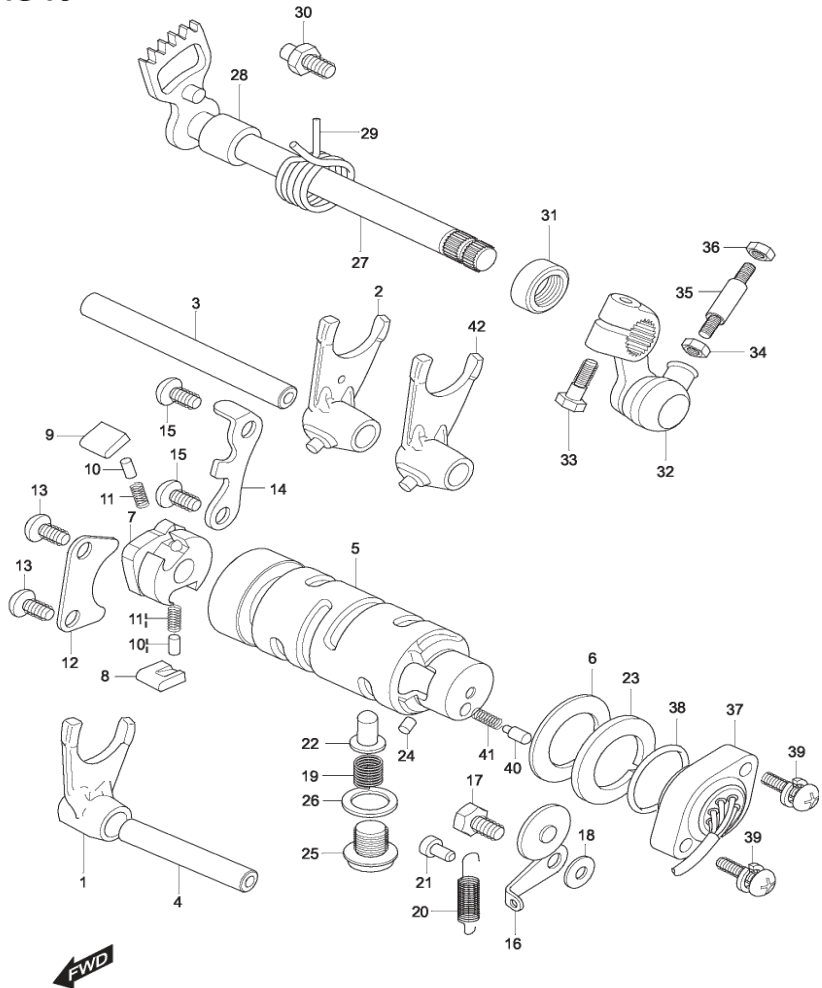


FIG 16. GEAR SHIFTING

FIG 16

REF. NO.	MAT01	PARTS NAME	Q'TY
28	09180-12068	SPACER, gear shift shaft	1
29	09444-26013	SPRING, gear shift shaft return	1
30	25671-01000	STOPPER, gear shift arm	1
31	09285-12002	OIL SEAL, gear shift shaft(22× 9)	1
32	25520-32C00	ARM COMP, gear shift link	1
33	01107-06208	BOLT, gear shift link arm(M6× 20)	1
34	08310-11068	NUT, gear shift link rod R(M6)	1
35	25525HM8100	ROD, gear shift link	1
35~1	25525HM8101	ROD, gear shift link	1
36	09140-06011	NUT, gear shift link rod L(M6)	1
37	37720HG5151	SWITCH ASS`Y, neutral	1
37~1	37720HG5102	SWITCH ASS`Y, neutral KM4MJ51B951103444~(05.07~)	1
38	09280-26003	O-RING, gear shift switch(26.2× 2..	1
39	02112-95208	SCREW, gear shift switch(M5× 20)	2
40	09209-05011	CONTACT, gear shift switch	1
41	09440-04010	SPRING, gear shift switch contact	1
42	25221HJ8200	FORK, gear shift No.2	1

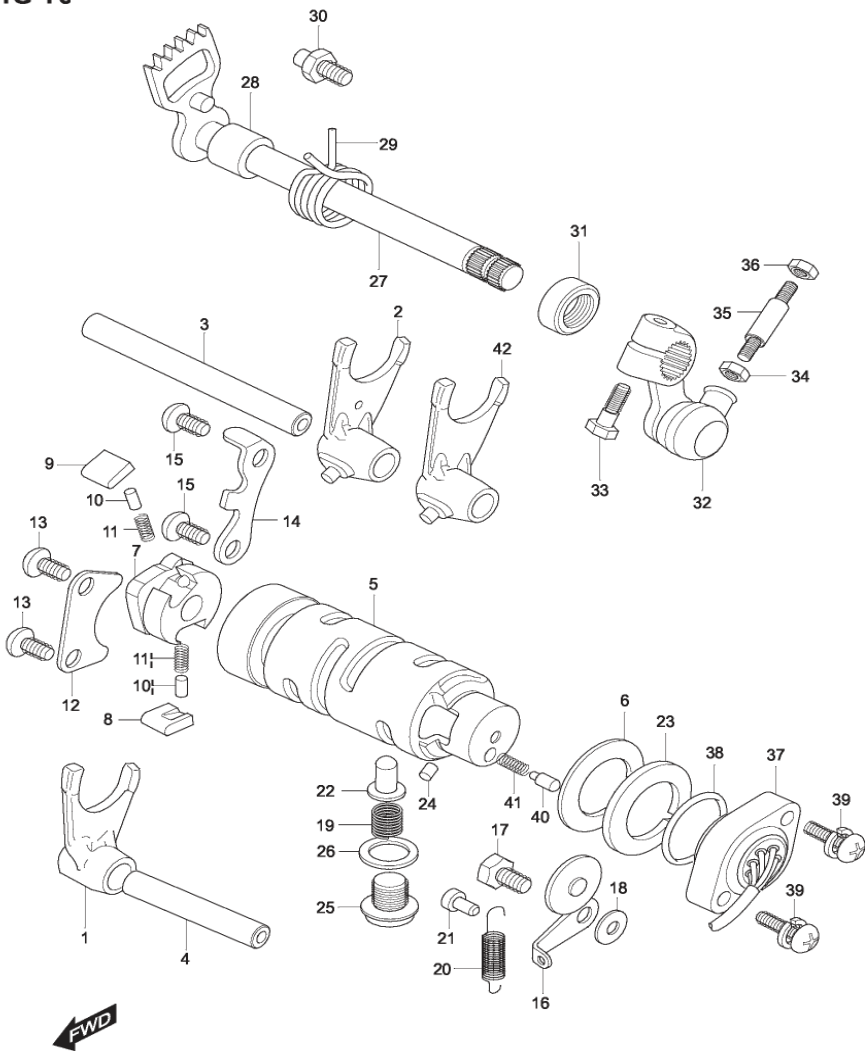
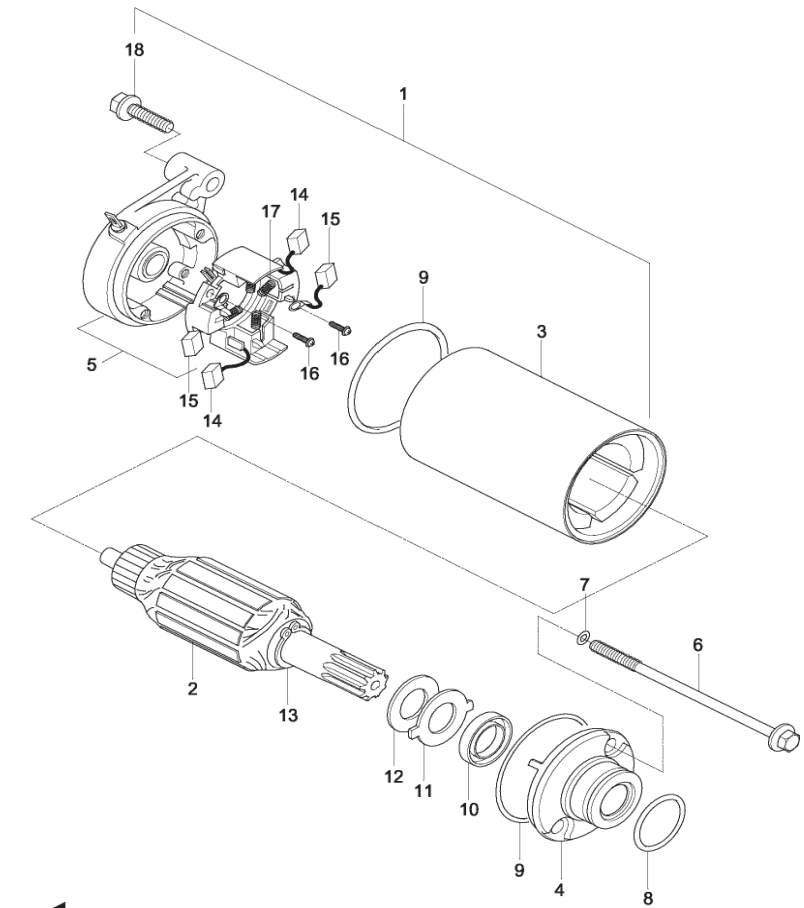


FIG 17. STARTING MOTOR

FIG 17

REF.	PARTS NAME	Q`TY
NO. MAT01		
1	31100HG5100 MOTOR ASS`Y, starting	1
2	31310-11D00 ARMATURE ASS`Y, starter	1
3	31110HD6300 YOKE ASS`Y, starter	1
4	31150-42A01 HOUSING ASS`Y, starter	1
5	31175HG5100 FRAME ASS`Y, commutator	1
6	31281-32C10 BOLT, through	2
7	31156-38300 O-RING	2
8	09280-24001 O-RING	1
9	31264-35C10 O-RING	2
10	31153-49210 SEAL, oil	1
11	31361-32C00 PLATE, lock	1
12	31361-38300 WASHER, plate lock	1
13	31361-10200 RING, shaft snap	1
14	31132-32C10 BRUSH SUB ASS`Y, starter	2
15	31131-32C20 BRUSH, starter	2
16	31114-32C10 SCREW	2
17	31135-32C10 SPRING, compression coil	4
18	01547-06308 BOLT, starting motor(M6×30)	2



FWD

FIG 18. MAGNETO ASS'Y

REF. PARTS NAME Q'TY
 NO. MAT01

1	32100HJ8200	MAGNETO ASS'Y	1
2	32101HG5100	STATOR ASS'Y	1
3	32102HJ8200	ROTOR, fly wheel	1
4	02112-05128	SCREW, pick-up coil(M5X12)	2
5	02112-05258	SCREW, magneto stato(M5X25)	3
6	08316-26128	NUT, magneto fly wheel(M12)	1
7	08341-31049	KEY, magneto	1

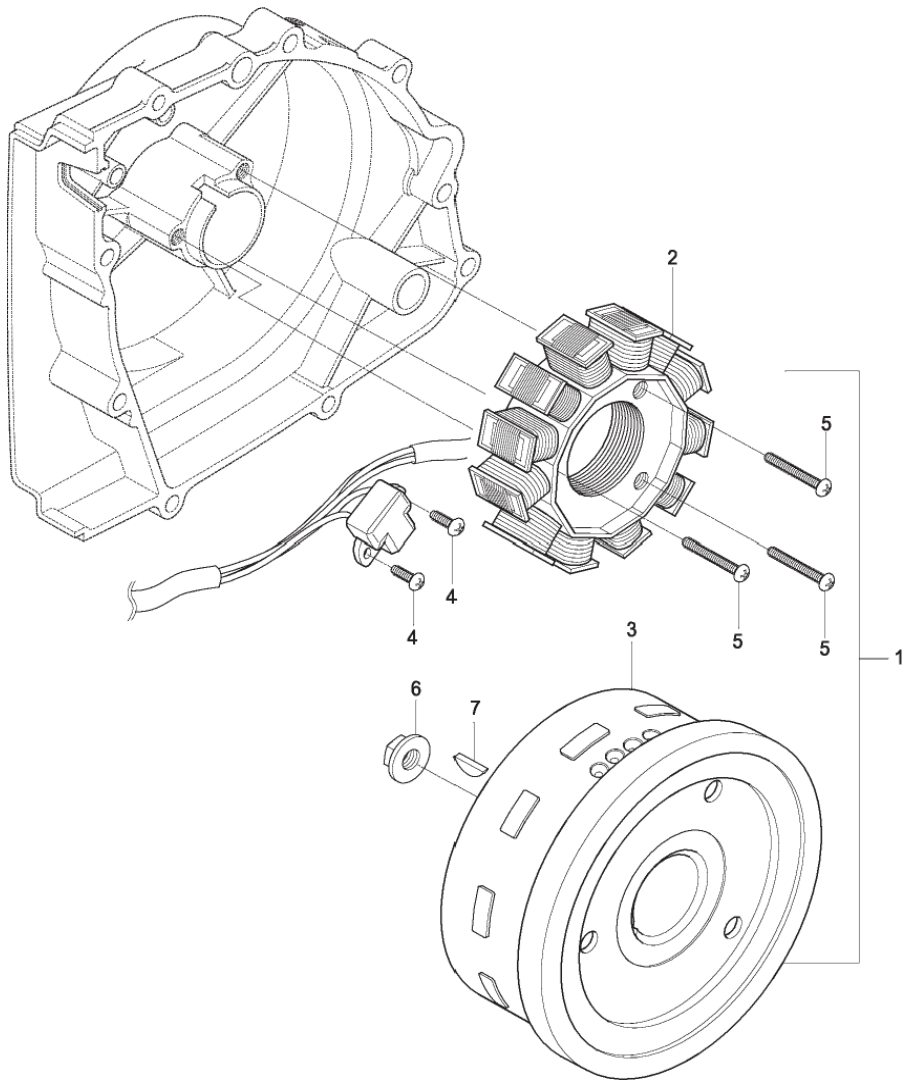


FIG 19. BATTERY

REF. PARTS NAME Q'TY
NO. MAT01

- 1 33610HM8100 BATTERY ASS'Y(12V 12Ah. ST) 1
- 2 33860HM8101 LEAD WIRE, battery minus(-) 1

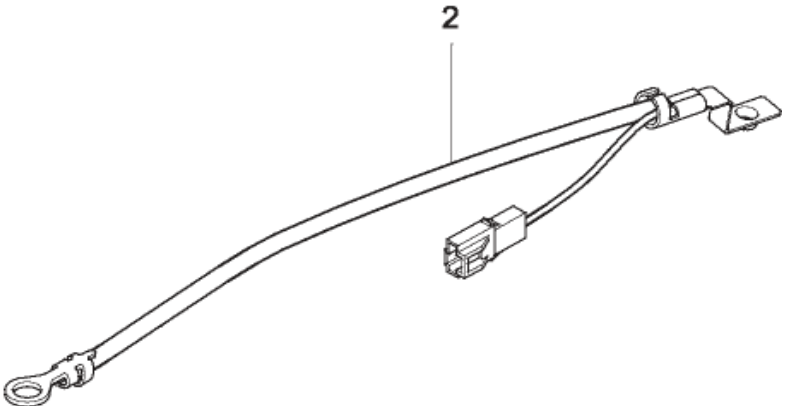
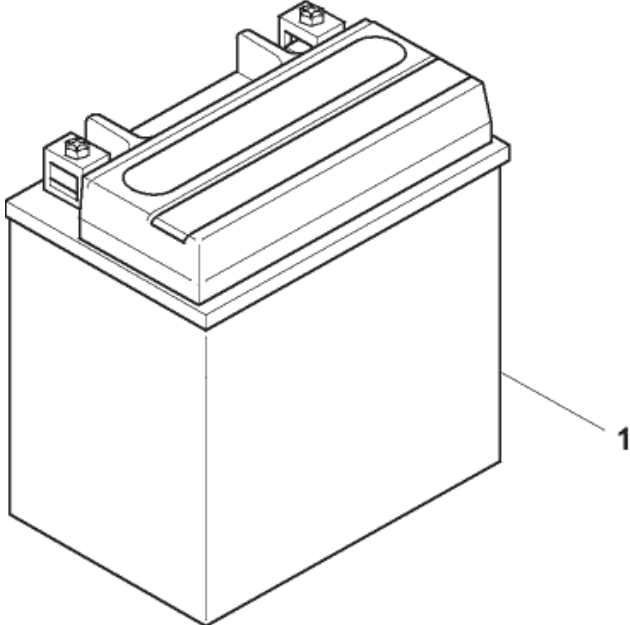


FIG 20. ELECTRICAL

FIG 20

REF. PARTS NAME Q'TY
 NO. MAT01

1	31800HG5100	RELAY ASS'Y, starting motor	1
2	08316-26066	NUT, starter motor relay terminal	2
3	33840HM8101	LEAD WIRE, battery plus(+)	1
4	33850HM8100	LEAD WIRE, starter motor	1
5	32800H01413	RECTIFIER regulator ASS'Y	1
6	07110-06208	BOLT, rectifier	2
7	33410HM8100	COIL ASS'Y, ignition	2
8	09128H06006	BOLT, ignition coil(M6× 20)	2
9	33541-23E01	SEAL, spark plug	2
10	33510-05C01	CAP, spark plug	2
11	33542-24D00	SEAL, high tention cord	2
12	32900HM8153	CDI UNIT	1
13	38740HJ8200	RELAY ASS'Y, fuel pump	1

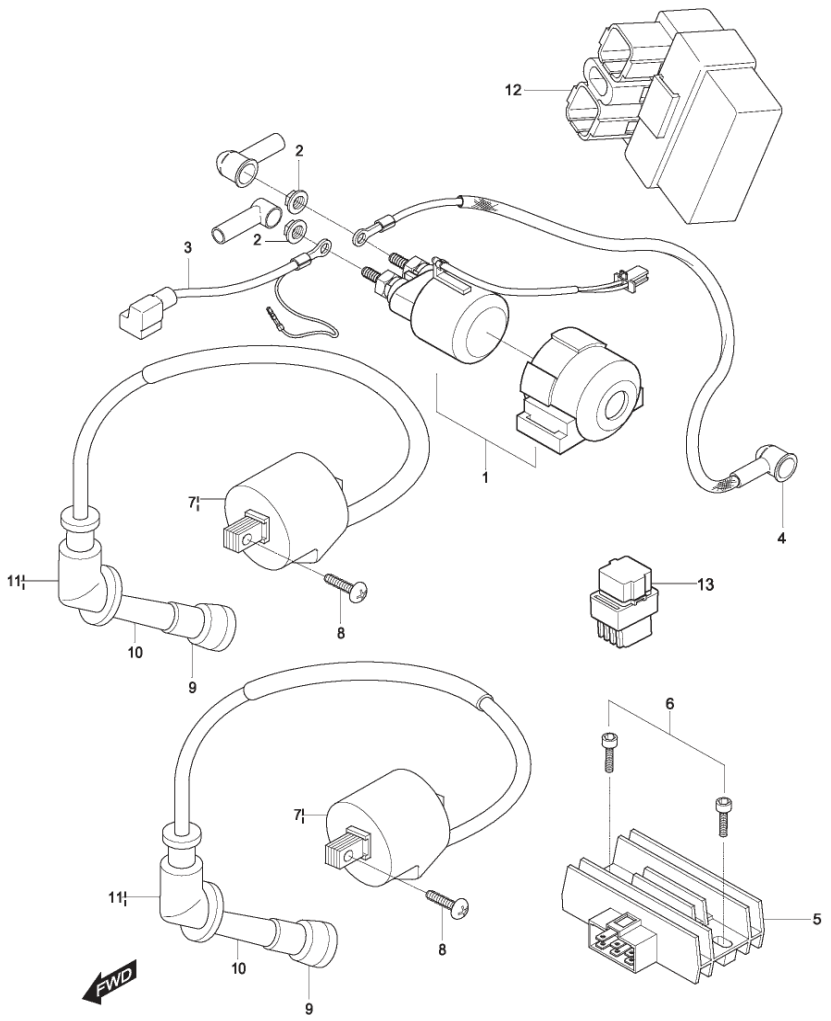


FIG 21. SPEEDOMETER ASS'Y

REF.	PARTS NAME	Q`TY	
NO. MAT01			
1	34100HM81600	SPEEDOMETER ASS'Y	1
1-1	34100HS8100	DIGITAL SPEEDOMETER ASS'Y	1
2	34950HM8100	BRACKET	1
3	34105HM8100	LOWER CASE, speedometer	1
4	34106HM8100	LOWER CASE, tachometer	1
5	34110HM8160	SPEEDOMETER	1
6	34120HM8100	TACHOMETER	1
7	34910H93B00	CABLE ASS'Y, speedometer	1
8	34171HM8102	WIRING ASS'Y, speedometer	1
9	09116-06010	BOLT, speedometer bracket	2
10	09471-12077	BULB(12V 1.7W) T10	2
11	09471-12072	BULB(12V 1.7W T6.5)	4
12	39110HM8100	INDICATOR LAMP, upper	1
13	34136HM8100	Fuelgauge	1
14	34171HM8100	LAMP ASS'Y, turn R	1
15	34140HM8100	LAMP ASS'Y, neutral	1
16	34174HM8100	LAMP ASS'Y, high beam	1
17	34172HM8100	LAMP ASS'Y, turn L	1
18	34860HP9201	SENSOR ASS'Y, speed meter	1

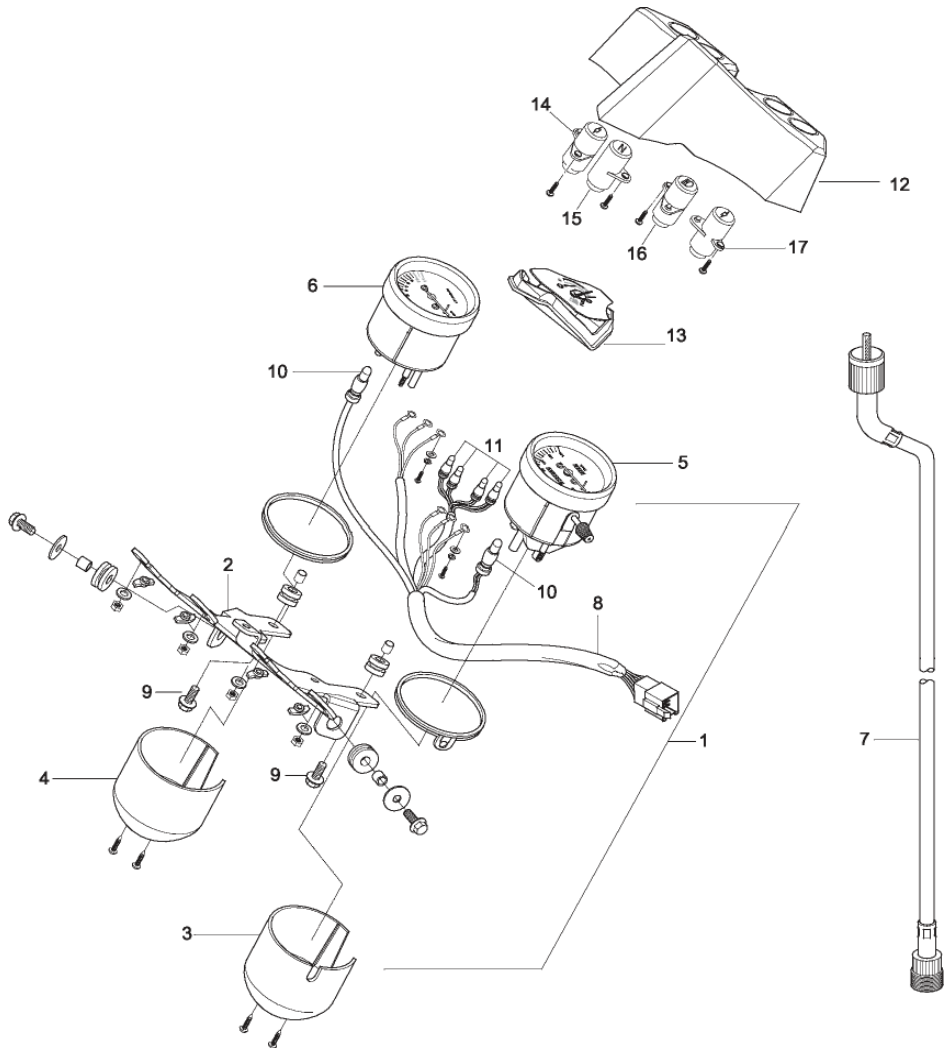


FIG 22. HEAD LAMP

FIG 22

REF.	PARTS NAME	Q`TY
NO. MAT01		
1	35100HM8160 HEAD LAMP ASS`Y ~ KM4MJ51B741101267	1
1~1	35100HM8161 HEAD LAMP ASS`Y KM4MJ51B741101268 ~	1
2	35120HM8160 REFLECTOR+LENS, head lamp	1
3	35111HM8100 RIM, head lamp	1
4	35173HM8100 DUST COVER	1
5	09471H12103 BULB, head lamp(12v H4 60/55w)	1
6	09148-05039 NUT, head lamp(M5)	3
7	09471-12110 BULB,position lamp	1
8	35175H93B00 SPRING, bulb socket	1

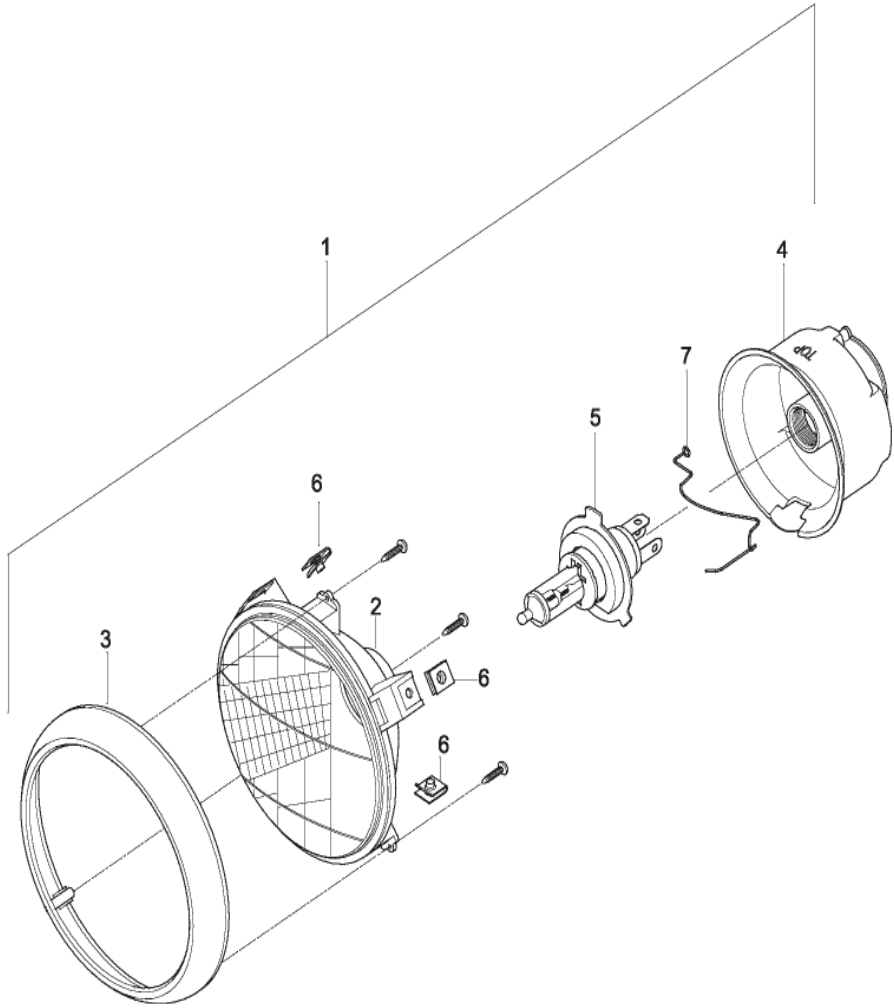


FIG 23. FRONT TURN SIGNAL LAMP

REF.	PARTS NAME	Q'TY
NO. MAT01		
1	35601HM8151 LAMP ASS'Y, FT turnsignal R	1
2	35602HM8151 LAMP ASS'Y, FT turnsignal L	1
3	09471-12142 BULB, FT turnsignal lamp(12V, 10	2
4	09160-06019 WASHER, FT turnsignal lamp	4
5	08316-26066 NUT, FT turnsignal lamp	4
6	35603HM8151 LAMP ASS'Y, RR turnsignal R	1
7	35604HM8151 LAMP ASS'Y, RR turnsignal L	1
8	09471-12142 BULB, RR turnsignal lamp(12V, 10	2
9	38610HL7300 RELAY ASS'Y, turnsignal	1
10	01517-06206 BOLT, turnsignal, relay	1
11	35612HM8100 LENS, FT turnsignal R	2
12	35632HM8100 LENS, FT turnsignal L	2

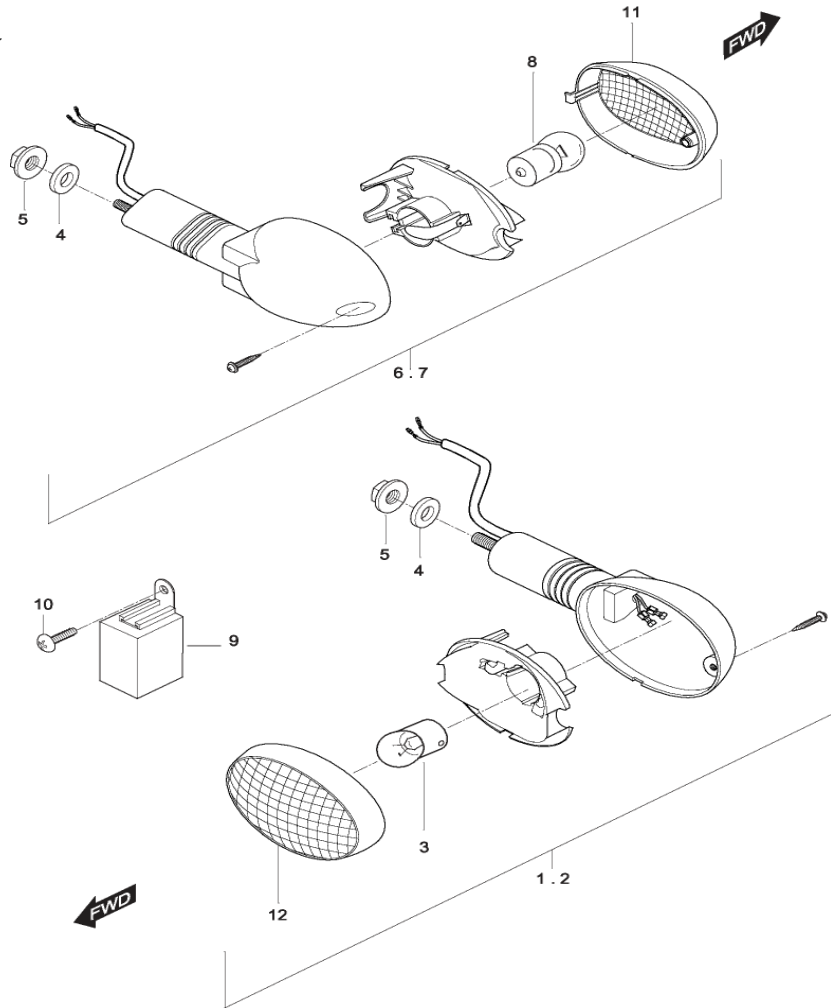


FIG 25. REAR COMBINATION

REF.	PARTS NAME	Q'TY
NO. MAT01		
1	35710HM8150 LAMP ASS'Y, tail & stop ~KM4MJ51B441101226	1
1~1	35710HM8152 LAMP ASS'Y, tail & stop KM4MJ51B441101227~	1
2	09471-12047 BULB, tail & stop(12V 21/5W)	1
3	03241-05166 SCREW, tail & stop	3
4	09160-05017 WASHER, tail & stop	3
5	09404-06401 CLAMP, tail & stop	2

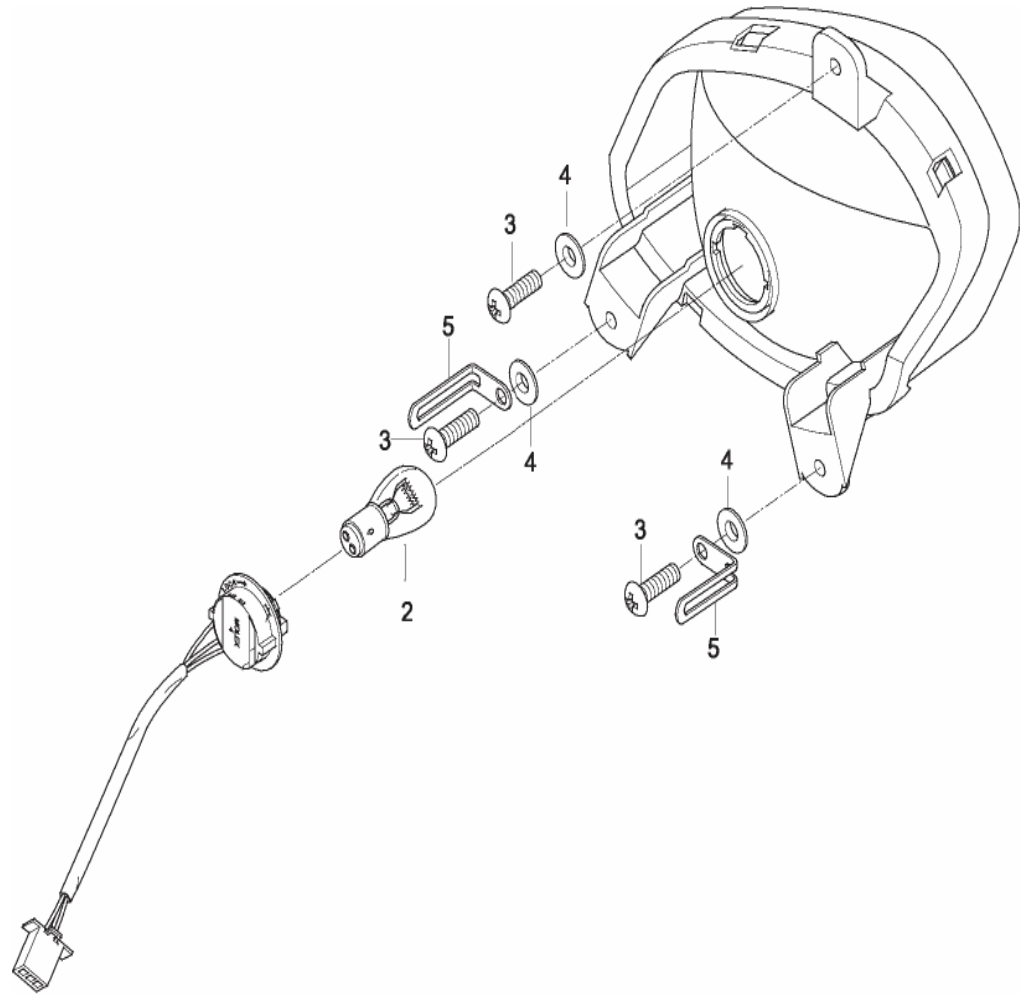


FIG 26. FRAME

REF. PARTS NAME Q'TY
 NO. MAT01

1	41100HM811303P	FRAME COMP	1
1-1	41100HM8113PAM	FRAME COMP(Black) KM4MJ51B261103612~	1
2	41151HM810103P	TUBE COMP, frame down L	1
2-1	41151HM8101PAM	TUBE COMP, frame down L(Black) KM4MJ51B261103612~	1
3	07110-08258	BOLT, frame joint	4
4	08316-16088	NUT, frame joint	4
5	41161HM8100	SPACER, frame & engine front L=:	2
6	09103H10099	BOLT, frame & engine frontL=228	1
7	08319-31106	NUT, frame & engine front	1
8	09103H10022	BOLT, frame & engine rear lower I	1
9	08319-31106	NUT, frame & engine rear	1
10	41320HM8100	PLATE COMP, C D I	1
11	01517-06206	BOLT, C D I plate	1
12	09103H10153	BOLT, frame & engine rear upper I	1
13	41171HM8100	SPACER, frame & engine rear upper	1

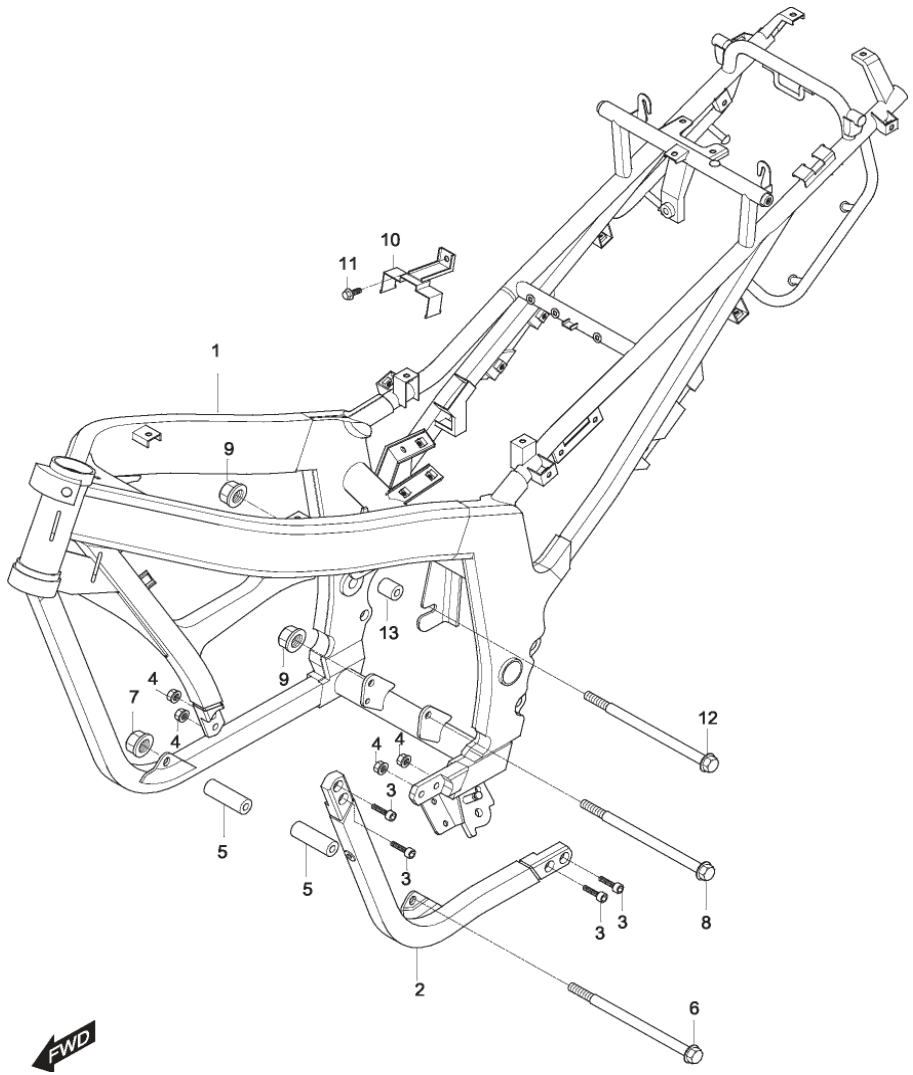


FIG 27. PROP STAND

REF.	PARTS NAME	Q`TY
NO. MAT01		
1	42310HM910003P STAND COMP, PROP	1
1~1	42310HN9150120 STAND COMP, PROP KM4MJ51B261103612~	1
2	09100-10031 BOLT, prop stand(M10×30)	1
3	08310-22106 NUT, prop stand(M10)	1
4	09443-15047 SPRING, prop stand	1
5	09443-06001 SHIM, prop stand	1
6	37840HM8100 SWITCH, side stand	1
7	01517-06205 BOLR, Side Stand Switch	2

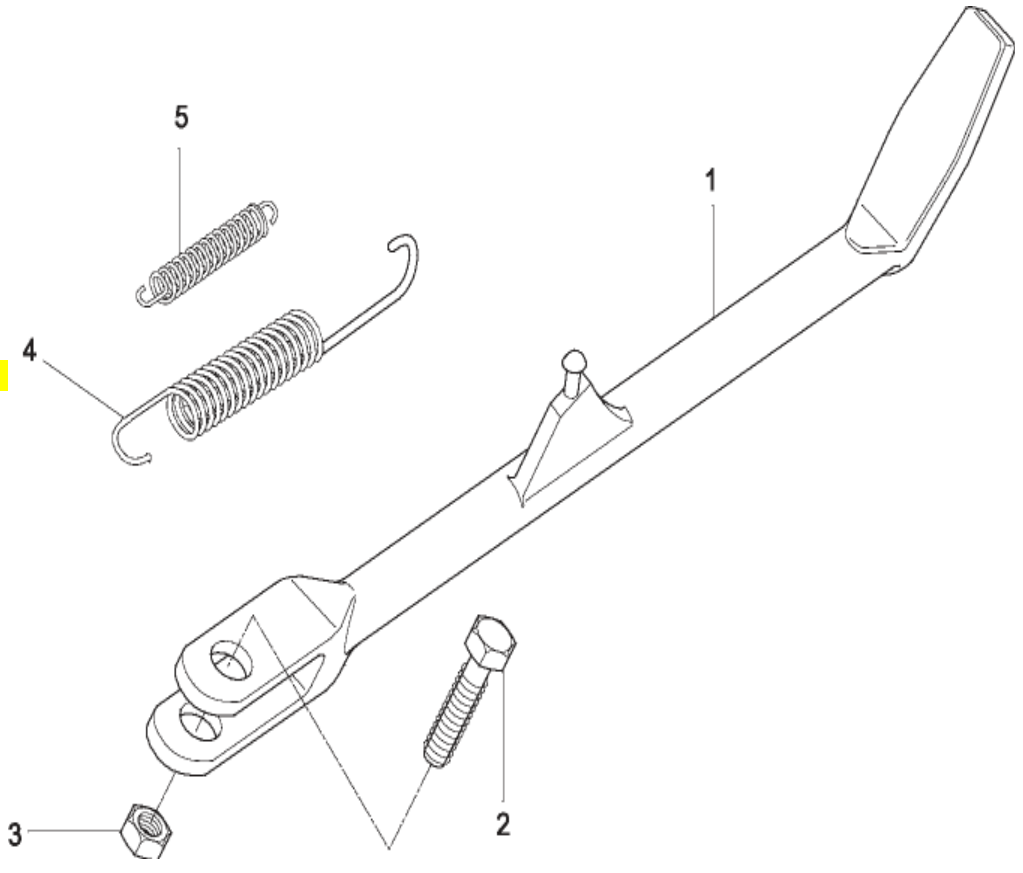


FIG 28. REAR BRAKE

REF. NO.	MAT01	PARTS NAME	Q'TY
1	43110HM810003P	PEDAL COMP, brake	1
2	43530HM810503P	BRACKET COMP, front footrest R	1
2~1	43530HM810603P	BRACKET COMP, front footrest R KM4MJ51B651102638 ~	1
3	09448H30002	SPRING, brake pedal return	1
4	43560HM8100	FOOTREST ASS'Y, front R	1
5	43561HM8100	FOOTREST, bar front R	1
6	43530H30A40	RUBBER COMP, front footrest R	1
7	02112-05126	SCREW, front footrest	2
8	69600HM8100	CYLINDER ASS'Y, rear master	1
9	69740HM8100	TANK ASS'Y, reserver	1
10	69700HM8101	HOSE ASS'Y, reserver tank	1
11	09400H13001	CLMAP, reserver tank hose	2
12	01517-06168	BOLT, reserver tank	1
13	09160-06019	WASHER, reserver tank	1
14	43533H30A40	BOLT, reserver tank	1
15	09180H08008	SPACER, front footrest	1
16	43579HM8101	PIN, front footrest	1
17	09448H14007	SPRING, front footrest	1
18	08332-11079	E-RING, front footrest	1
19	07120-08258	BOLT, front footrest bracket	2
20	07120-08258	BOLT, master cylinder	2
21	08332-21068	WASHER, rear master cylinder	1
22	04111-20208	COTTER PIN, rear master cylinder	1
23	09160H15002	WASHER, brake pedal	1
24	08331-31159	CIRCLIP, brake pedal	1
25	09200H06040	PIN, rear master cylinder	1
26	69800HN9100	TANK ASS'Y, Master	1
27	69609HN9100	CYLINDER SET, rear master	1

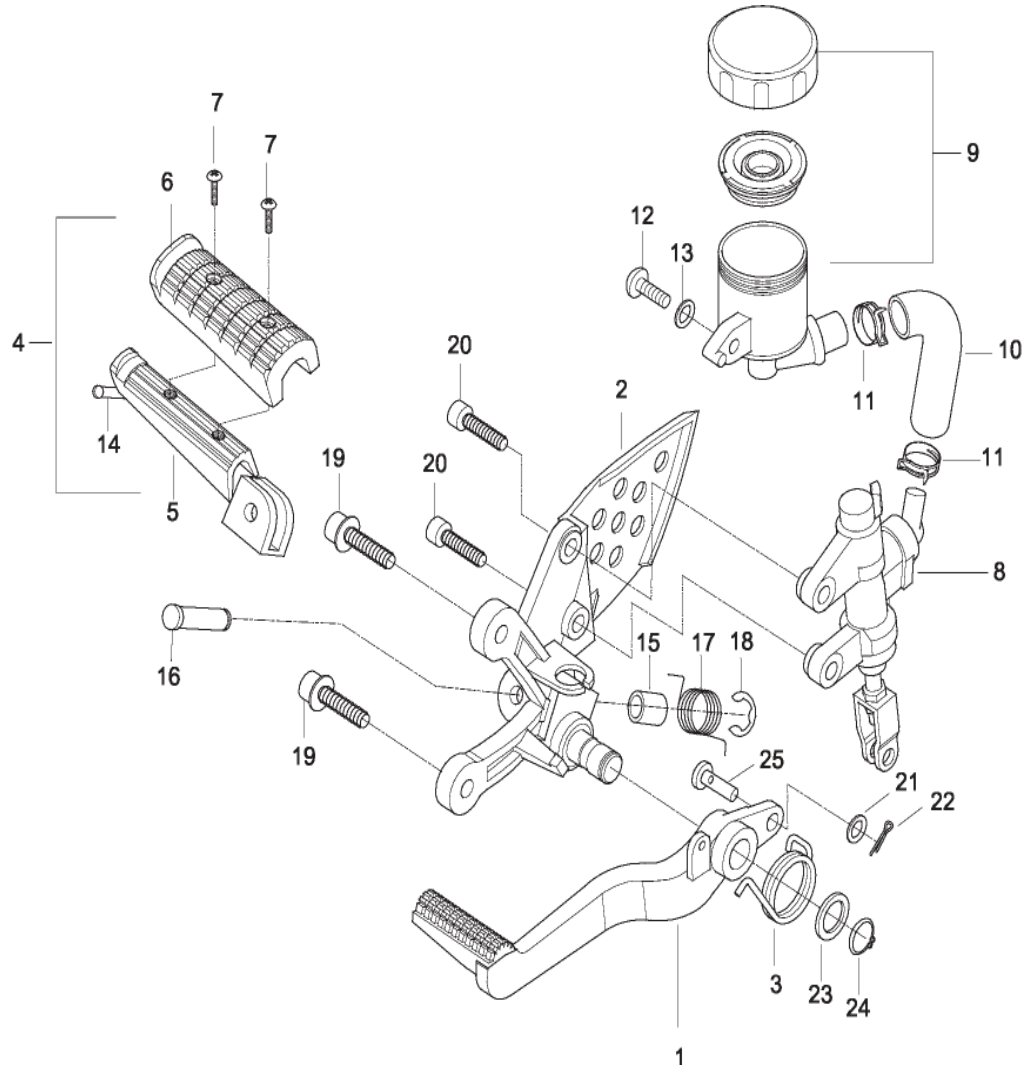


FIG 29. FOOTREST

REF. PARTS NAME Q'TY
NO. MAT01

1	43570HM8100	FOOTREST ASSY, front L	1
2	43571HM8100	FOOTREST BAR, front L	1
3	02112-05126	SCREW, front footrest	2
4	43533H30A40	BOLT, front footrest bar	1
5	09180H08008	SPACER, front footrest	1
6	43579HM8101	PIN, front footrest bar	1
7	09448H14007	SPRING, front footrest	1
8	08332-11079	E-RING, front footrest	1
9	43540HM810303P	BRACKET COMP, front footrest L	1
9~1	43540HN910103P	BRACKET COMP, front footrest L KM4MJ51B651102638 ~	1
10	07120-08258	BOLT, front footrest bracket	2
11	43530H30A40	RUBBER, front footrest	1
12	43621HM810203P	BRACKET, pillion footrest R	1
13	43661HM8101	FOOTREST BAR, pillion R	1
14	43721HM810403P	BRACKET, pillion footrest L	1
15	43671HM8101	FOOTREST BAR, pillion L	1
16	07110-08258	BOLT, pillion footrest bracket	4
17	43679HM8101	PIN, pillion footrest	2
18	09448H08008	SPRING, pillion footrest	2
19	08332-11048	E-RING, pillion footrest	2
20	43631HM8101	PLATE, pillion stopper No.1	2
21	43641HM8101	PLATE, pillion stopper No.2	2
22	09320-14015	CUSHION, muffler support	1
23	09180-10044	SPACER, muffler support	1
24	25600HM810103P	LEVER COMP, gear shift cam	1 for new bracket
25	08331-31159	CIRCLIP, gear shift lever	1
26	09160H15002	WASHER, gear shift lever	1

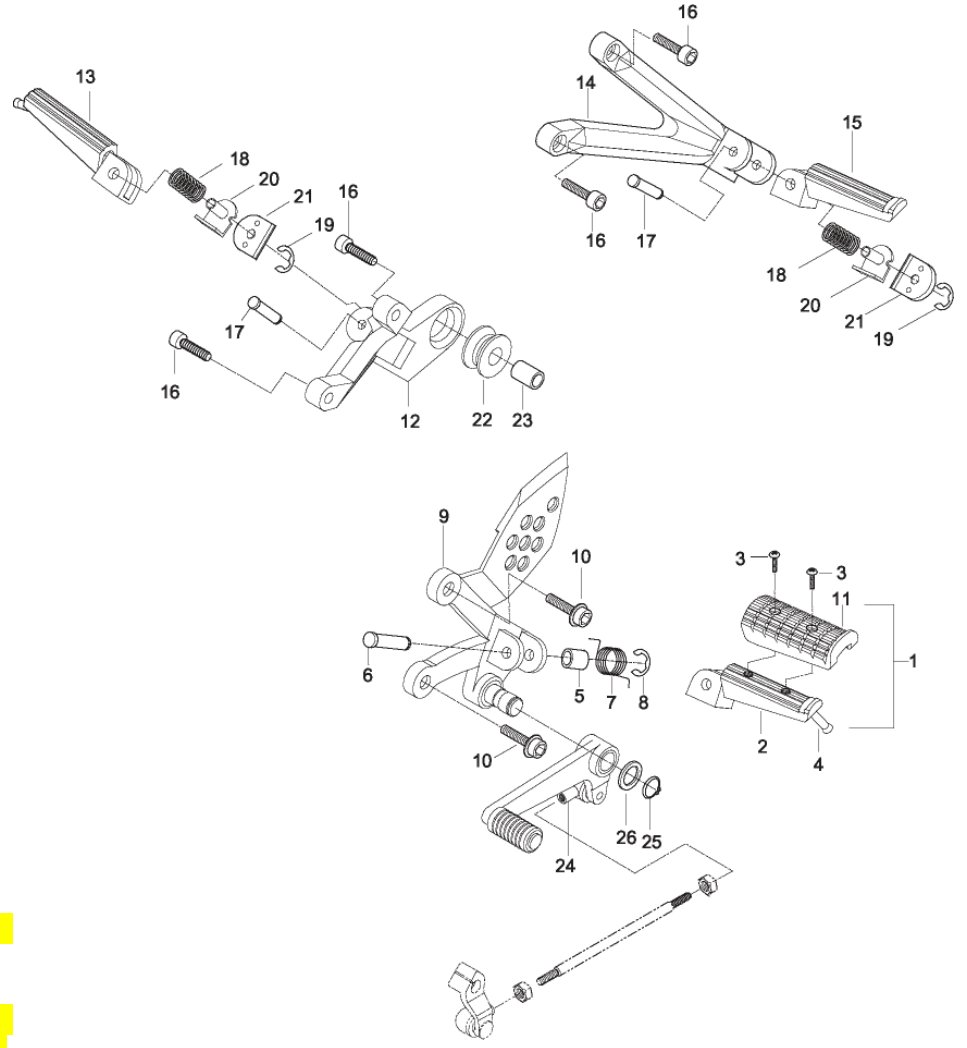


Figure nine shows the old style bracket with the pivot on the outside, this is NLA The new style has the pivot on the inside

FIG 30. FUEL TANK

FIG 30

REF.	PARTS NAME	Q'TY
NO. MAT01		
1~1	44110HN9100 TANK COMP, fuel (for silver fran	1
	44110HN9110 TANK COMP, fuel (for black fran	1
	KM4MJ51B441100569~	
2	44520HM8100 BRKT COMP, fuel tank front	2
3	09329-10007 CUSHION, fuel tank front brkt	2
4	01517-06206 BOLT, fuel tank front brkt	2
5	09329H28001 CUSHION, fuel tank side	1
6	44530HM8100 BRKKT COMP, fuel tank RR	2
7	01517-06206 BOLT, fuel tank RR brkt	1
8	44613HE7100 CUSHION, fuel tank RR brkt & bat	1
9	44218HF4500 CUSHION, fuel tank RR brkt & bat	1
10	09116H08078 BOLT, fuel tank RR	1
11	09320-14013 CUSHION, fuel tank RR up	1
12	09180H08007 SPACER, fuel tank RR cushion	1
13	09320H10020 CUSHION, fuel tank RR lower	1
14	15110HJ8200 PUMP ASS'Y, fuel	1
	~KM4MJ51B441100562	
14~1	15100HG5100 PUMP ASS'Y, fuel	1
	KM4MJ51B441100563~	
15	09401H11401 CLIP, strainer outlet No.2	1
16	02112-06168 SCREW, fuel pump	2
17	44199HF1600 HOSE, fuel pump vacuum	1
18	15821HG2601 HOSE, fuel pump No.1	1
18~1	15831HK2700 HOSE, fuel pump No.1	1
19	44199HM8100 HOSE, strainer outlet(L=118)	1

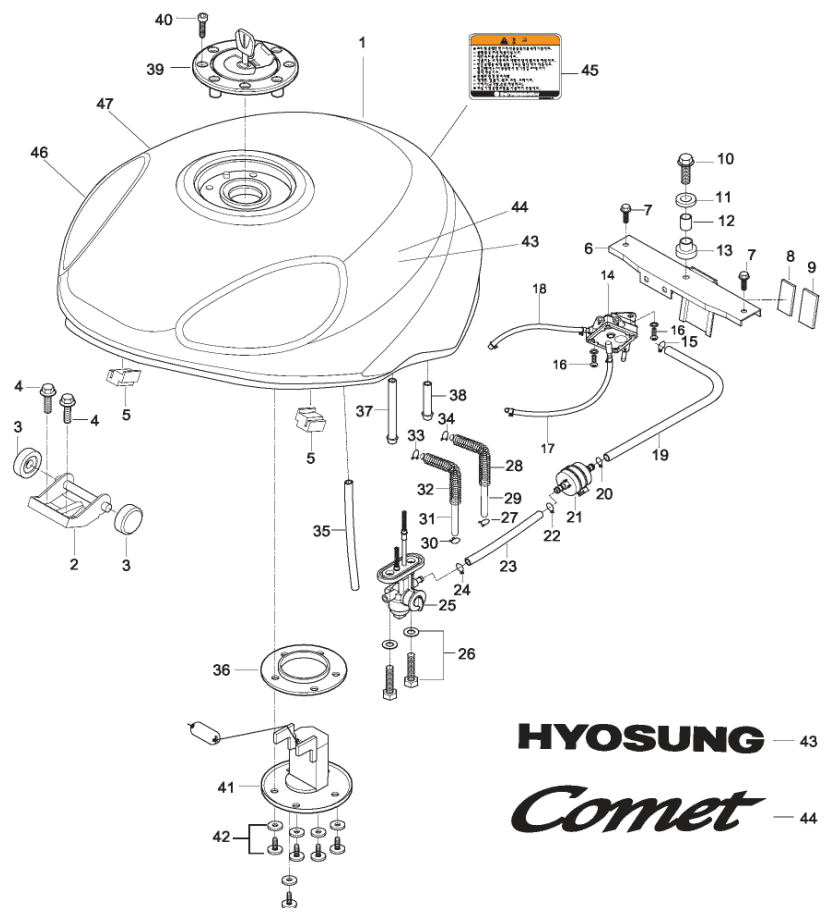


FIG 30. FUEL TANK

FIG 30

REF.	PARTS NAME	Q'TY
NO. MAT01		
20	09401-10401 CLIP, strainer outlet No.2	1
21	44910HG2600 STRAINER COMP, fuel	1
22	09401-10401 CLIP, strainer inlet	1
23	44198HE6101 HOSE, vacum	1
24	09401H11401 CLIP, strainer inlet	1
25	44300HM8100 COCK ASS'Y, fuel Manual type	1
25-2	44300HM8150 COCK ASS'Y, fuel Vacumn type	1
26	09128H06006 BOLT, fuel cock	2
26-1	09128-06035 BOLT, fuel cock	2
26-1	09168-06010 GASKET,F/level gauge	2
27	09401-08401 CLIP, fuel reserve No.1	2
28	09440-10009 SPRING, fuel on(L=120)	1
32	09440-10009 SPRING, fuel reserve(L=180)	1
33	09401-10401 CLIP, fuel reserve No.2	1
34	09401-10401 CLIP, fuel on No.2	1
35	09352H70103650 HOSE, fuel tank drain(L=650)	1
36	44118-01D30 PLATE, fuel tank inlet	1
39	44200H35C30 CAP ASS'Y, fuel tank filler	1
40	09106-05017 BOLT, fuel tank filler	4
41	34810HM8102 GAUGE ASS'Y, fuel level sender	1
42	01134-05106 BOLT, fuel level sender	5
43	68120HM8100 EM, HYOSUNG(COLOR)	2
44	68130HM8100 EM, COMET(COLOR)	2
45	68319H05350PL PLATE, CAUTION	1
46	44215HM8100 CUSHION,f/tank in2	1
47	44216HM8100 CUSHION,f/tank in3	1

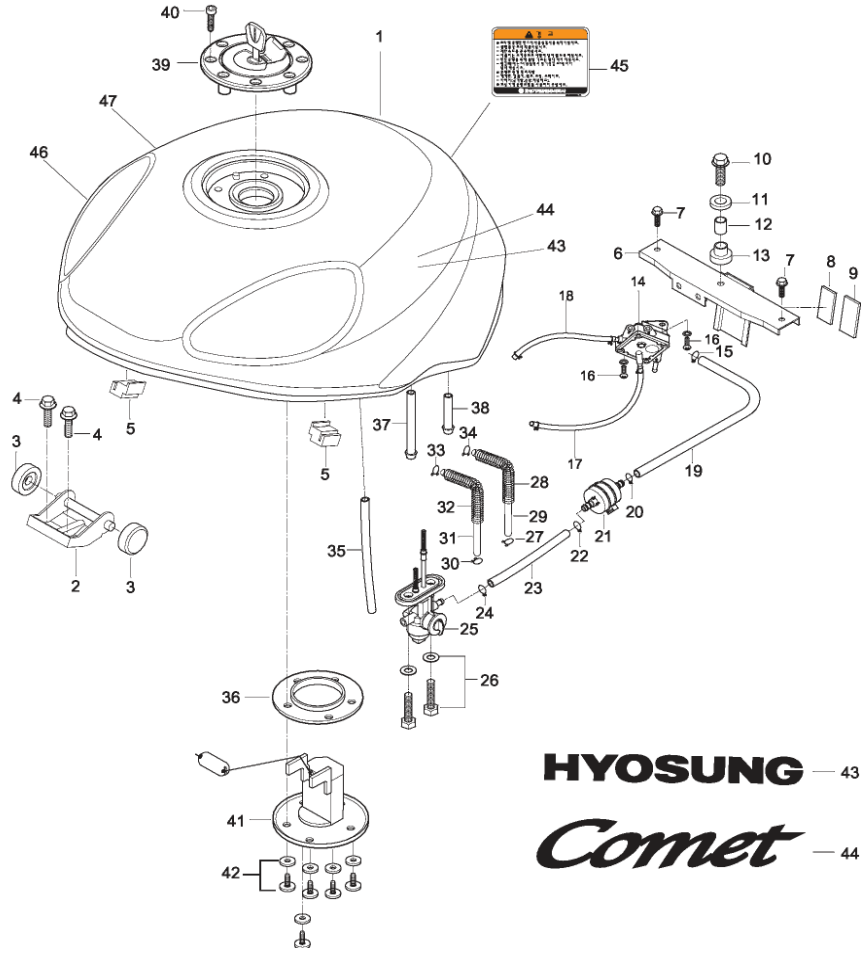


FIG 31. SEAT

REF. PARTS NAME Q`TY
 NO. MAT01

1	45110HM8101HAS	SEAT SET, front	1
2	45120HM8101	KNOB COMP, seat front	1
3	09440-11016	SPRING, seat front knob	1
4	08322-11088	WASHER, seat front knob	1
5	04111-20208	PIN, seat front knob	1
6	45200HM8102HAS	SEAT SET, rear	1
7	01517-06206	BOLT, rear seat	1
8	09160-06057	WASHER, rear seat	1

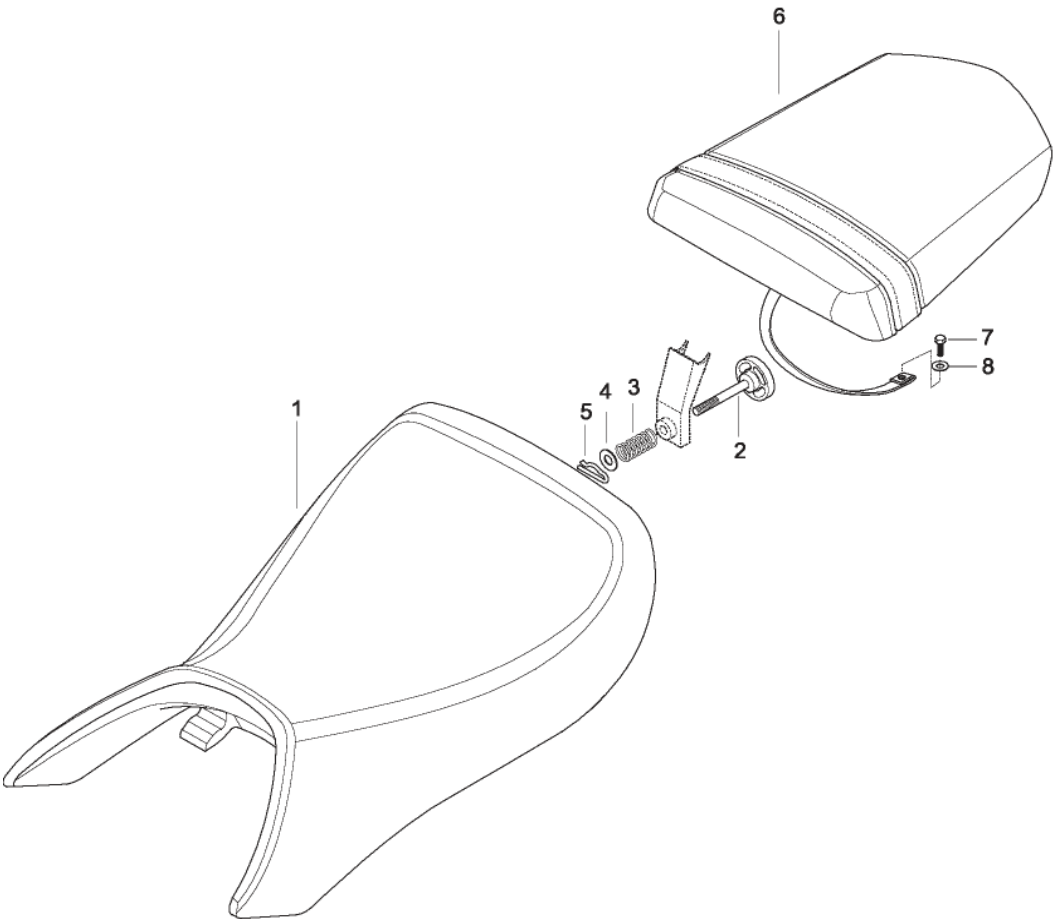


FIG 32. REAR FENDER

FIG 32

REF.	PARTS NAME	Q'TY
NO. MAT01		
1	63112HM810212A FENDER, rear front	1
1~1	63112HM810512A FENDER, rear front	1
2	63113HM810112A FENDER, rear lower	1
3	09280-63003 BAND, tool	1
4	09111H06066 BOLT, rr fender ft up	2
5	09148-05039 NUT, rr fender ft	2
6	01517-06206 BOLT, rr fender ft & frame side tub	2
7	09169-06032 WASHER, rr fender ft & frame side	2
8	02142-06166 SCREW, rr fender lower	2
9	09169-06032 WASHER, rr fender lower	2
10	41589HG5900 CUSHION, rr fender ft & battery(10	1
10-1	41589HR9700 CUSHION, rr fender ft & battery N	1
11	63120HM810003P TUBE COMP, RR fender FT & frm	1
11~1	63120HM810103P TUBE COMP, RR fender FT & frm KM4MJ51B261103612~	1
11~2	63120HN9150120 TUBE COMP, RR fender FT & frm KM4MJ51B261103612~	1
12	01517-08168 BOLT, frm side tube	2
13	68350HM8150PL LABEL, caution NO,1	1
14	02142-04088 BOLT, RR Fender FT	2

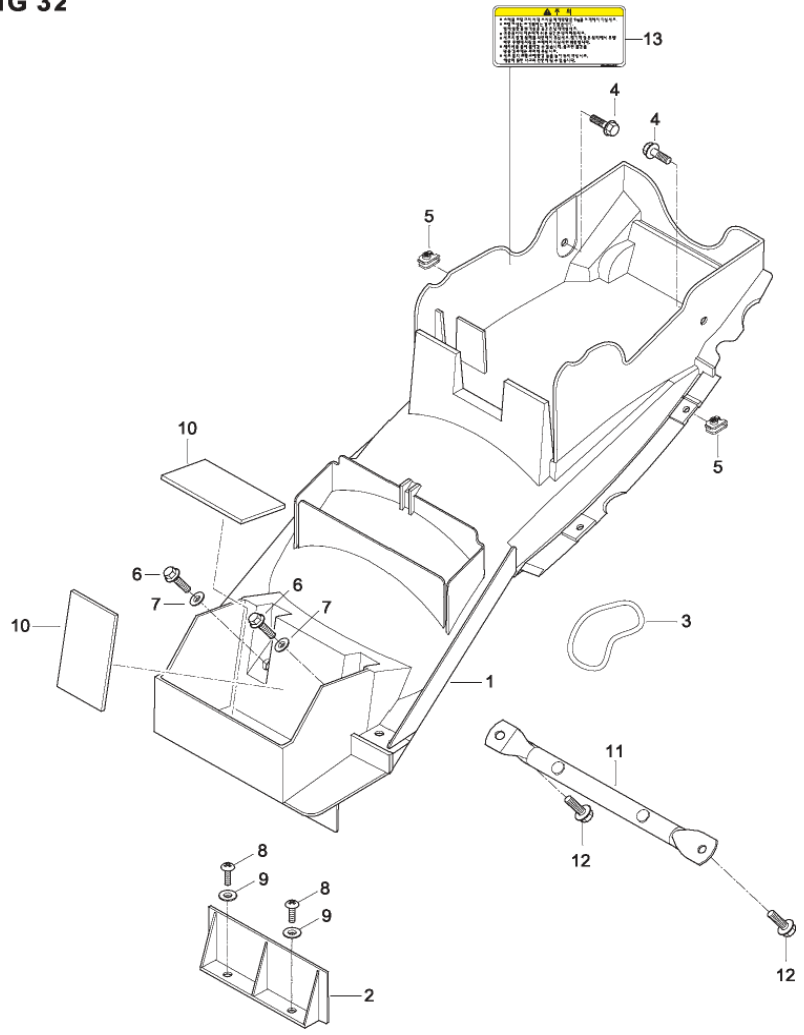


FIG 33. SIDE COVER

FIG 33

REF.	PARTS NAME	Q'TY
NO. MAT01		
1	COVER, side R(color) EX: CMB, (1
2	COVER, side L(color) EX: CMB, (1
3	BOLT, luggage support	2
3-1	CAP, LUGG SUPPORT BOLT	2
4	WASHER, luggage bolt & frm side	2
5	SCREW, frm side front	2
6	WASHER, frm side front	2
7	SCREW, frm side center	1
8	NUT, frm side rear up	3
9	SCREW, frm side rear up	3
10	SCREW, frm side low & frm	2
11	SCREW, frm side low & rear fende	6
12	LOCK ASS'Y, seat striker rear	1
13	BOLT, seat striker(M6X16)	2
14	CABLE ASS'Y, seat lock	1
15	LOCK, key set	1
16	LOCK ASS'Y, seat	1
17	GUIDE, seat lock cable	1
18	WASHER, side cover	1
19	TAPE side cover R(COLOR) OLD Version	1
20	TAPE side cover L(COLOR) OLD Version	1
20-1	EMB,COMET(DB,TR,MB,RB)	2
20-1	EMBLEM,COMET(MO)	2

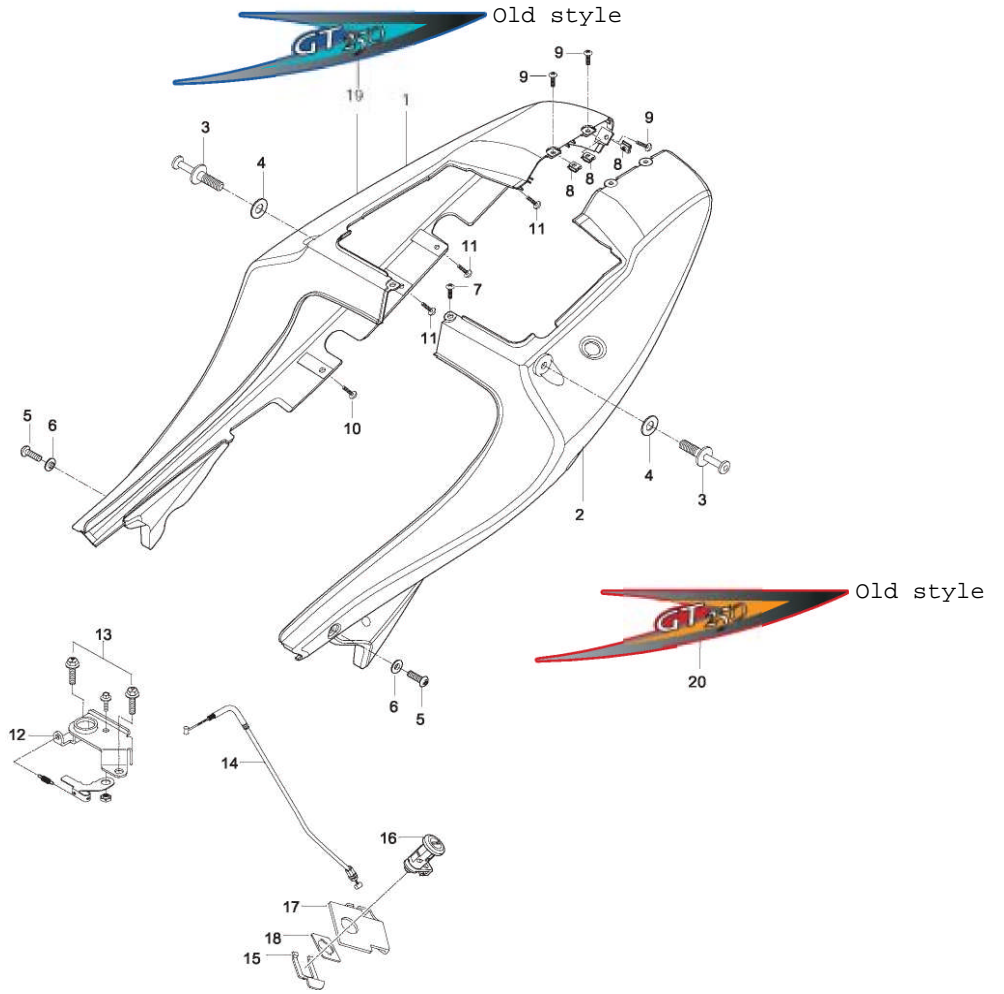


FIG 34. FRONT FORK

FIG 34

REF.	PARTS NAME	Q`TY
NO. MAT01		
1	51100HM8101HPA FORK ASS`Y, front	1
2	51411HM810203P BRACKET COMP, front fork unde	1
2~1	51411HM810503P BRACKET COMP, front fork unde	1
2~2	51411HP920103P BRACKET COMP, front fork unde	1
2~3	51411HP9204 BRACKET COMP, front fork unde	1
3	51410HM8105HPA BRACKET, front fork under KM4MJ51B861103744~	1
3-A	51410HP9204HPA BRACKET, front fork under	1
4	07110-08258 BOLT, front fork under bracket	4
5	09265H25001 BEARING, steering lower	1
6	09265H28001 BEARING, steering upper	1
7	51643HG5801 DUST SEAL, steering upper	1
8	51631-28000 NUT, steering stem	1
9	51210HM8102 DAMPER ASS`Y, front fork R	1
	51210HM8150120 DAMPER ASS`Y, front fork R(black) KM4MJ51B771104398~	1
10	51220HM8102 DAMPER ASS`Y, front fork L	1
	51220HM8150120 DAMPER ASS`Y, front fork L(black) KM4MJ51B771104398~	1
10-A	52120HM8100 CAP, OUTER TUBE	2
10-B	52210-M8100 UPPER CASE, FORK	2
10-C	52110-M8100 PIPE, FORK	2
10-D	51255HG5800 OIL SEAL, FORK	2
10-D1	52620-G5800 AIR DUST COVER	2
10-E	52280HM8101 BOTTOM BLOCK RH	1
10-F	52270HM8101 BOTTOM BLOCK LH	1
11	09106H08458 BOLT, axle grip	4
12	07110-08256 BOLT, fork clip	2
13	90544H93B00 WASHER, spacer	2
14	59266HM8100 CLAMP, brake hose & clamp	1
15	02112-06168 SCREW, ft brake hose & speedome	1
16	09164H28001 WASHER, PROTECTOR KM4MJ51B861103744~	1

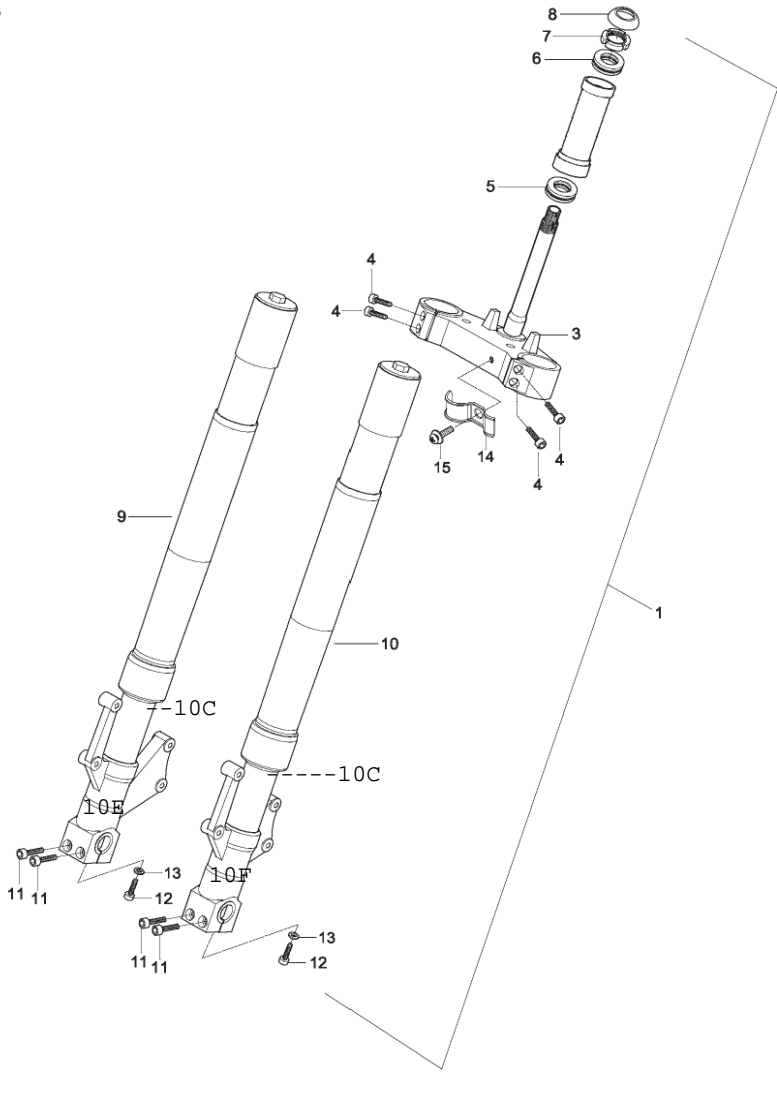


FIG 35. STEERING HEAD

REF.	PARTS NAME	Q`TY
NO. MAT01		
1	51311HM810103P BRACKET, front fork upper ~ KM4MJ51B341102223	1
1-1	51311HM810403P BRACKET, front fork upper KM4MJ51B341102224 ~	1
1-2	51311HP920003P BRACKET, front fork upper KM4MJ51B861103744~	1
2	07110-08258 BOLT, front fork upper bracket	2
3	09159H22002 NUT, str upper	1
4	09160H22032 WASHER, str upper	1
5	56211-35C00 HOLDER, handle bar	4
6	01517-08608 BOLT, handle bar	4

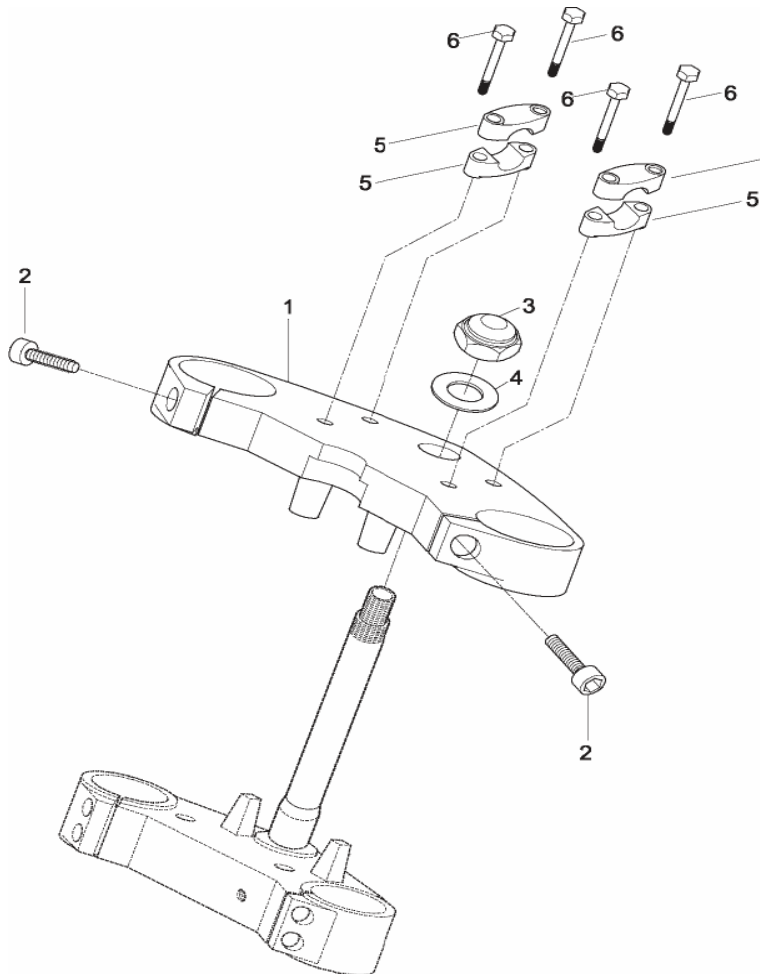


FIG 36. FRONT FENDER

REF.	PARTS NAME	Q'TY
NO. MAT01		
1	53111HM8100 FENDER, front(EX : CMB,CMO,C	1
2	51811HM8101PAM HOUSING, headlamp	1
3	51550HM8100 BRACE COMP, headlamp housing	1
4	51540HM8100PLA BRKT COMP, headlamp housing R	1
5	51530HM8100PLA BRKT COMP, headlamp housing L	1
6	02122-06308 BOLT, headlamp brkt housing	4
7	01284-08258 BOLT, headlamp housing	2
8	09180-08092 SPACER, headlamp housing	2
9	09320-10020 CUSHION, under brkt & headlamp	2
10	09329-12002 CUSHION, headlamp housing	2
11	51860-45000 PLATE COMP, headlamp housing	2
12	02112-95208 SCREW, housing & headlamp	3
13	09169H06078 WASHER, housing & headlamp	1
14	94611HN9100 Windscreen for GT650 & GT250	1
15	94411HN9100 COW'G,Body 0BK, 0DB, 0TR	1
16R	94412HN91000S3 COWLING,BODY SIDE R	1
16L	94413HN91000S3 COWLING,BODY SIDE L	1
17	09169H06078 WASHER, front fender	4
18	09106H06150 Bolt,front fender	4

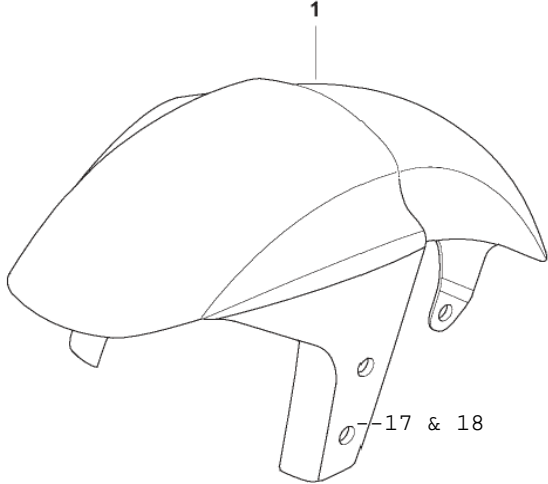
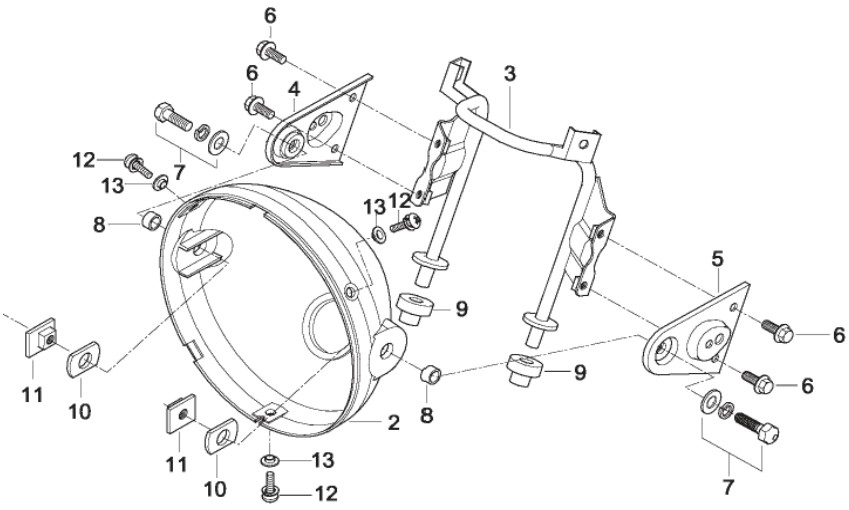


FIG 37. FRONT WHEEL

REF.	PARTS NAME	Q`TY
NO. MAT01		
1	54140HM8100HPA WHEEL ASS`Y, front	1
	54140SM8102120 WHEEL + Bearing	
	KM4MJ51B261103612~	
1-1	54141HM8102 WHEEL, front(J17xMT3.0)	1
1-2	54141HM8102120 WHEEL, front(J17xMT3.0)(Black)	1
	KM4MJ51B261103612~	
2	55101HM8100 TIRE COMP, front(110/70-1754H)	1
3	59211HM8101 DISC, front brake	1
4	59421-03A01 BOLT, front brake disc	6
5	54711HG5101 AXLE, front	1
6	54740HM8101 SPACER COMP, front axle R	1
7	54721HM8100 NUT, front axle	1
8	54600HG5102 BOX ASS`Y, speedometer gear	1
8-1	34860HP9201 For digital speedo	
9	08124-63027 BEARING, front hub	2
10	54731HM8100 SPACER, front hub	1
11	55220-41D10 VALVE ASS`Y, wheel rim	1
12	54690HM8101 COV, S/METER	1
13	54890HM8100 COV, FRONT WHEEL	1

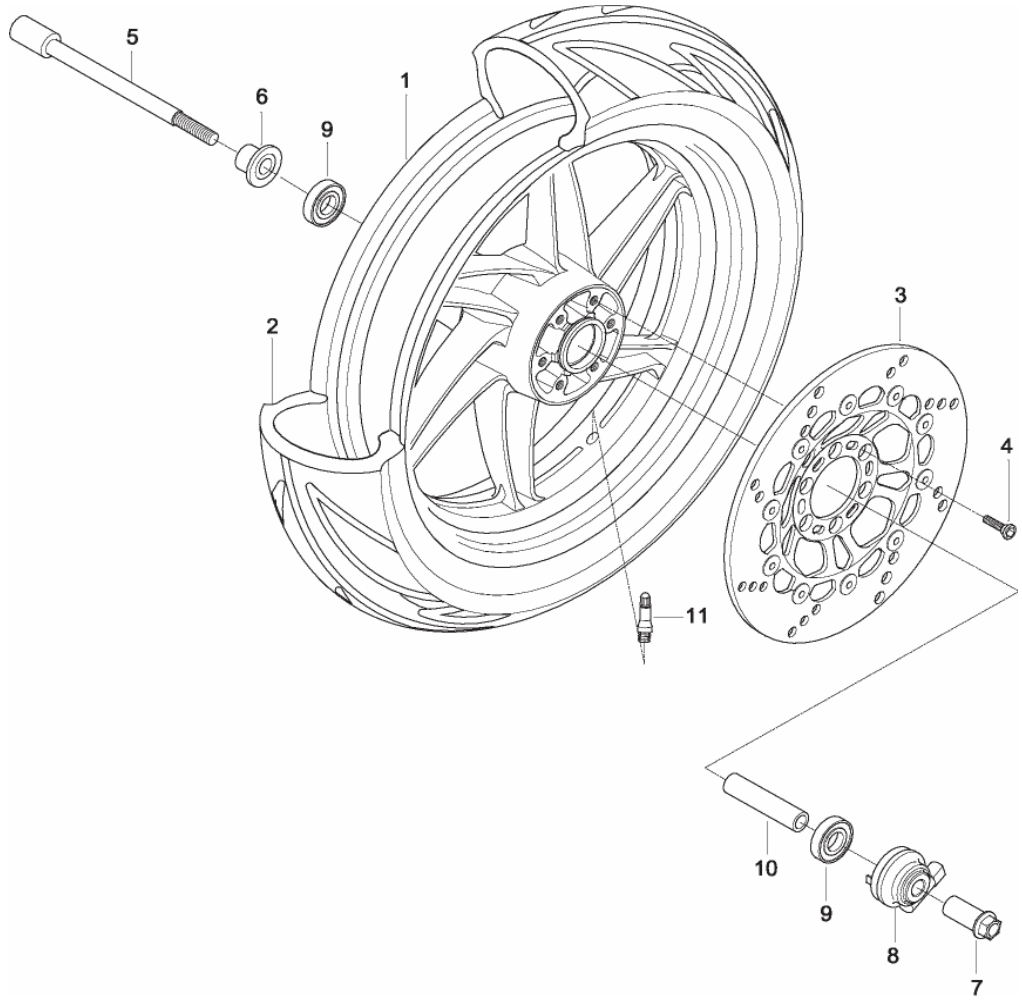


FIG 38. HANDLE BAR

REF.	PARTS NAME	Q'TY
NO. MAT01		
1	56110HM8103 HANDLE BAR COMP	1
2	58200HM8101 CABLE ASS'Y CLUTCH	1
3	58300HM8102 CABLE ASS'Y, throttle	1
4	58410HM8102 CABLE COMP, starter	1
5	56500HP9250 MIRROR ASS'Y, rear view R	1
6	56600HP9250 MIRROR ASS'Y, rear view L	1
7	09200-06004 PIN, clutch cable	1
8	04111-20158 COTTER PIN, clutch	1
9	56501HP9250 MIRROR SET	1

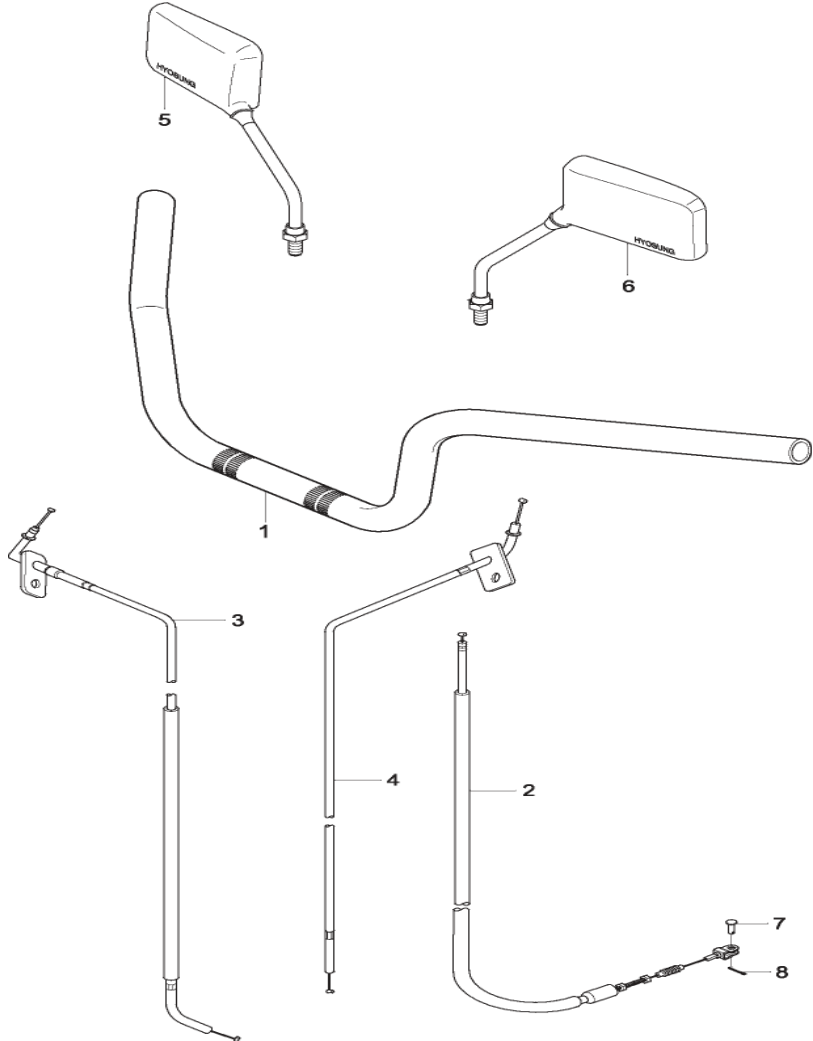


FIG 39. HANDLE SWITCH

FIG 39

REF.	PARTS NAME	Q'TY
NO. MAT01		
1	37200HM8150 SWITCH ASS`Y, handle R	1
2	57110HG5803 GRIP COMP, throttle	1
3	57113H93B00 COVER, throttle grip	1
4	56271HF4501PLA BALANCER	2
5	07110-08208 BOLT, handle balancer	2
6	37400HM8100 SWITCH ASS`Y, handle L	1
7	57211HG5800 GRIP COMP, L	1
8	02112-05105 SCREW, throttle cable	1
9	57460HJ8250 SWITCH ASS`Y, clutch	1
10	57421HN9100 LEVER, brake	1
10-2	57421HN3202 LEVER, brake KM4MJ527371104523~	1
11	57431H05D00 BOLT, brake lever pivot	1
12	08319-21065 NUT, brake lever pivot	1
13	57500HM8100 LEVER ASS`Y, clutch ~KM4MJ527541101312	1
13-1	57500HN9100 LEVER ASS`Y, clutch KM4MJ527541101313~	1
13-2	57500HM8121 LEVER ASS`Y, clutch KM4MJ527371104523~	1
14	57620HN9100 CLUTCH LEVER	1
14-2	57620HM8100 CLUTCH LEVER KM4MJ527371104523~	1
15	57511HM8100 HOLDER, clutch lever N/A	1
16	57431HG5800 BOLT , clutch lever pivot	1
17	08319-21065 NUT, brake lever pivot	1
18	57451HG5800 BOLT, clutch lever holder	1
19	57442H93B00 LOCK NUT	1
20	57441H93B00 ADJUSTER, wire	1
21	57661HJ8200 COVER, clutch lever	1
22	09407-14403 CLAMP, handle switch harness	2
23	02112-05455 SCREW, h/switch LH	2
24	02112-05105 SCREW, choke cable	1
25	02112-05205 SCREW, H/switch RH	2
26	57460-17C00 SWITCH ASS`Y, STOP	1
27	02112-74108 Screw, stop switch	1

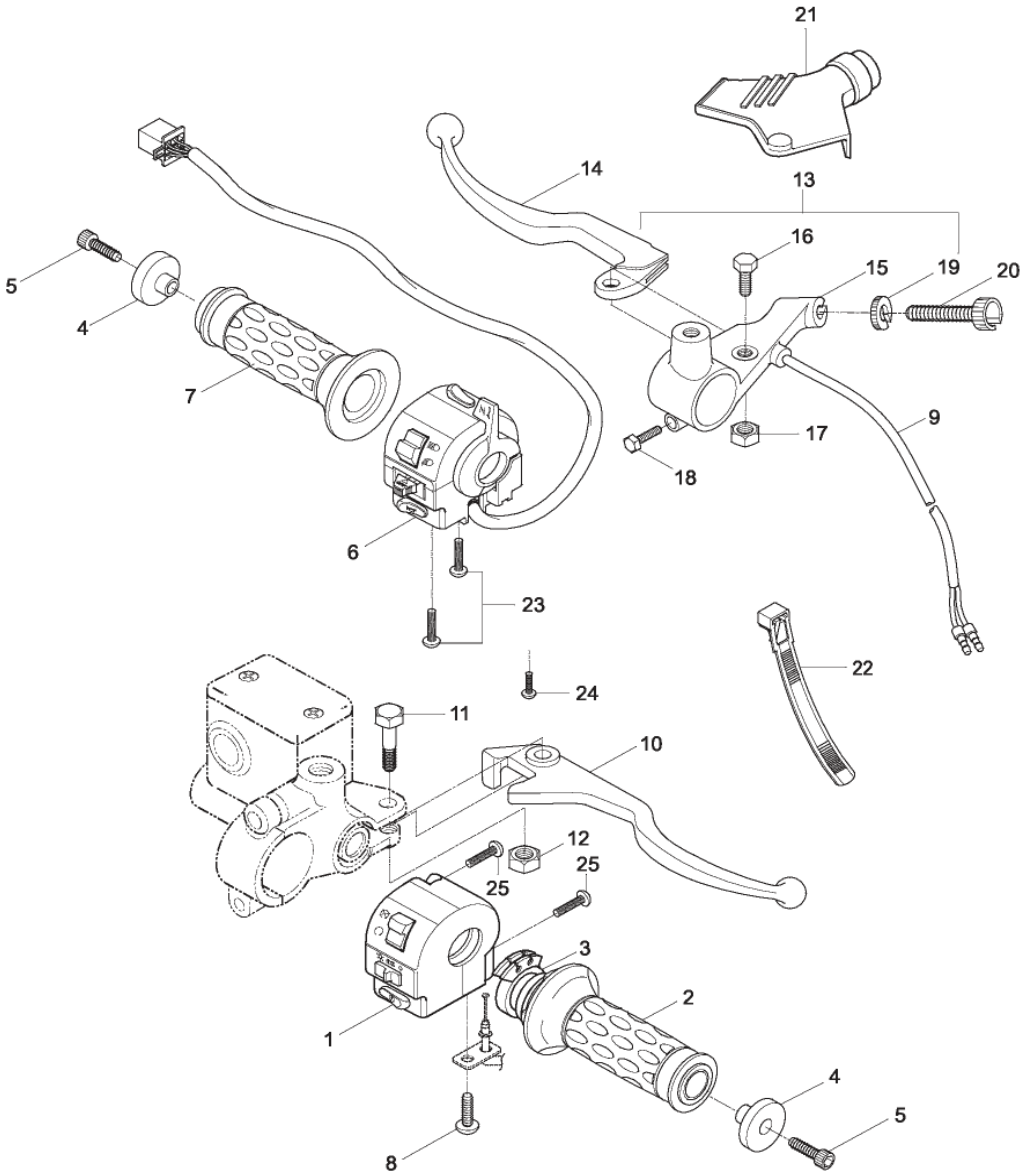


FIG 40. CALIPER

REF.	PARTS NAME	Q`TY
NO. MAT01		
0	59300HP9500 CALIPER ASS'Y, L	1
1	09103H08254 BOLT, caliper	2
2	01514-06106 BOLT, speedometer cable guide	1
3	51418HM8101 GUIDE, speedometer cable	1
4	59301HP9500 PAD SET(8.4t)	1

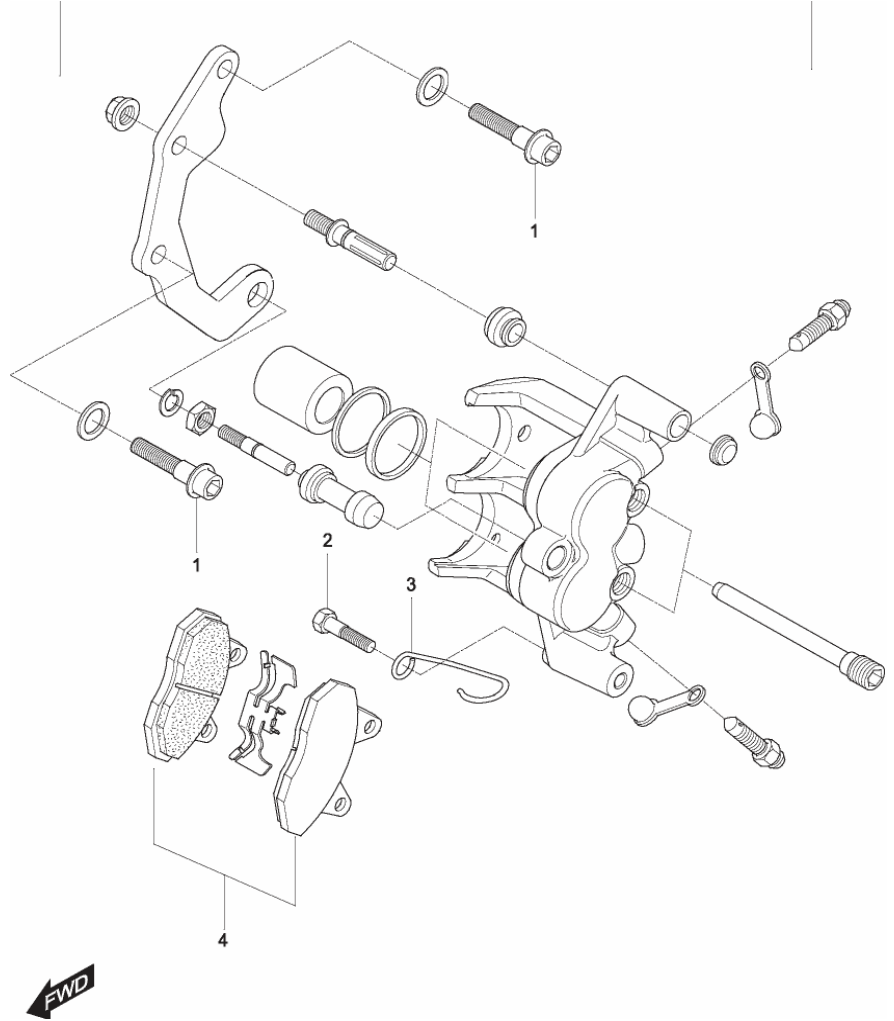


FIG 41. MASTER CYLINDER

REF. PARTS NAME Q'TY
 NO. MAT01

0	59600-35C03	CYLINDER ASS'Y, front master	1
1	59687-35C00	BODY	1
2	59669-36510	CAP, reservoir	1
3	59610-35C00	PISTON, SET	1
4	59691-35C00	SCREW	2
5	59671-35C00	HOLDER	1
6	01107-35C00	BOLT, master cylinder hold	2

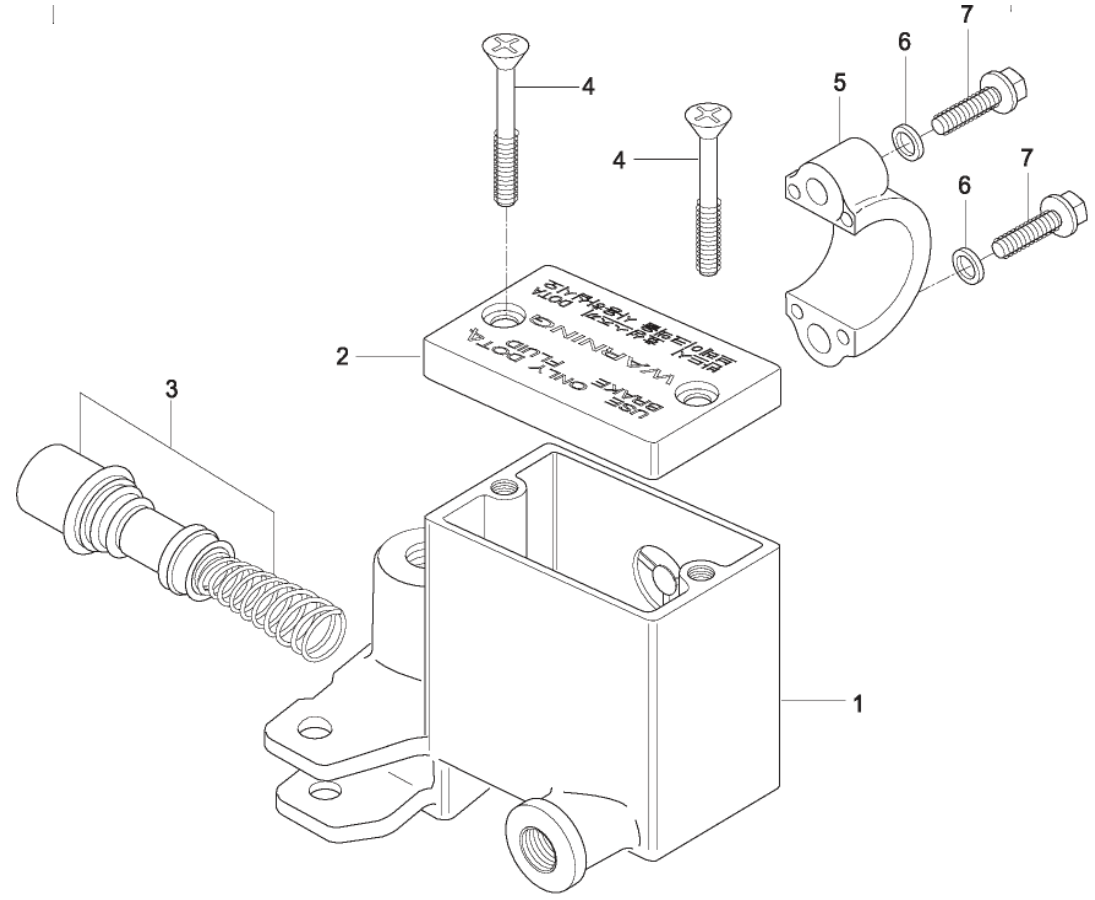


FIG 42. FRONT BRAKE HOSE

REF. NO.	MAT01	PARTS NAME	Q`TY
1	59711H49002	BOOT, brake hose	1
2	09360-10039	BOLT, brake hose	2
3	09161-10005	WASHER, brake hose	4
4	59480HM8105	HOSE COMP, front brake	1
5	69480HM8103	HOSE COMP, rear brake	1
6	09161-10005	WASHER, rear brake fluide	4
7	09360-10039	BOLT, rear brake fluide	2

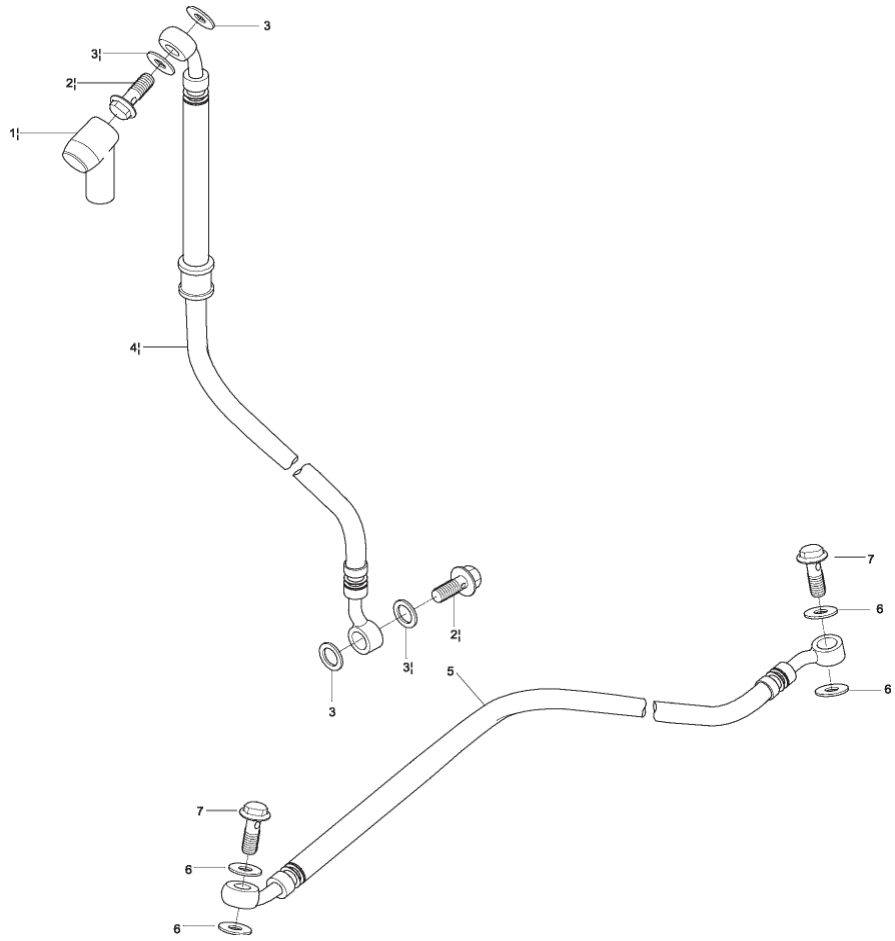
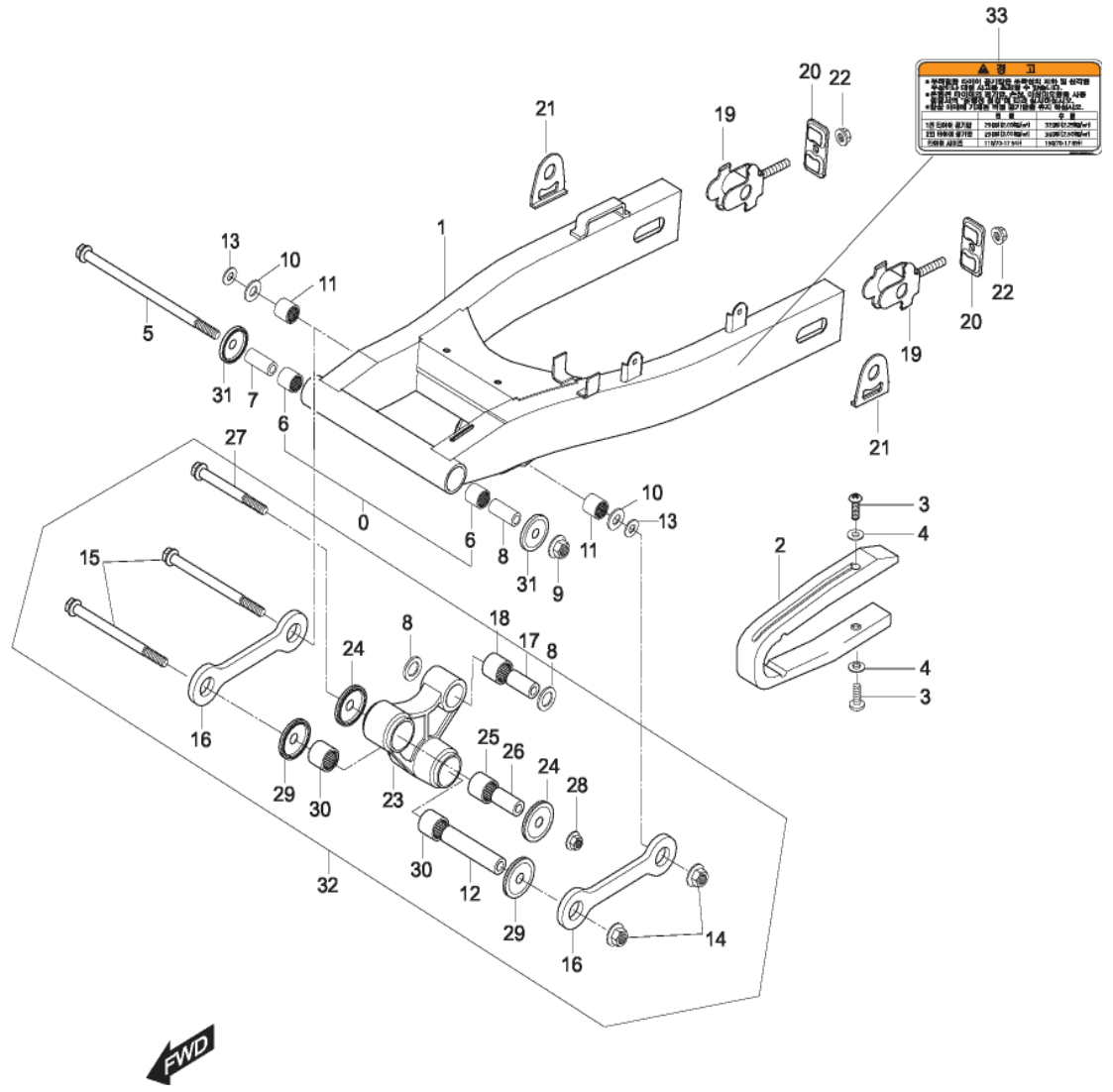


FIG 43. SWINGING ARM

REF.	PARTS NAME	Q'TY
NO. MAT01		
0	61100HM8105HPA REAR SWING ARM ASS'Y	1
	61100SM8105120 REAR SWING ARM ASS'Y(Black) KM4MJ51B261103612~	
1	61100HM8105 SWING ARM COMP, rear	1
	61100HM8105120 SWING ARM COMP, rear(Black) KM4MJ51B261103612~	
2	61273HM8101 BUFFER, chain touch defense	1
3	02142-06166 BOLT, chain touch defense buffer	2
4	09169-06032 WASHER, chain touch defense buf	2
5	61211HM8100 SHAFT, rear swingarm pivot	1
6	09263-22017 BEARING, rear swingarm pivot	2
7	61251HM8100 SPACER, rear swingarm pivot bear	2
8	09284H32001 SEAL, rear cushion rod	2
9	08319-31128 NUT, rear swingarm pivot	1
10	09283-20031 SEAL, rear cushion rod	2
11	09263H20003 BEARING, rear cushion rod	2
12	09180H14001 SPACER, rear cushion rod	1
13	09284H32001 SEAL, rear cushion rod	2
14	09159H14008 NUT, rear cushion rod	2
15	09103H14001 BOLT, rear cushion rod	2
16	62641HM8100 ROD, rear cushion lever	2
17	09180H10073 SPACER, rear cushion lever rear	1
18	09263H17002 BEARING, rear cushion lever rear	1
19	61410HJ8200 ADJUSTER COMP, chain	2
20	61421-01D00 PLATE, chain adjuster guide	2
21	64712HJ8200 WASHER, chain adjuster	2
21~1	64712HJ8201 WASHER, chain adjuster KM4MJ51B261103724~	
22	08316-26108 NUT, chain adjuster	2
23	62611HG5800 LEVER, rear cushion	1
24	09284H33003 DUST SEAL, rear cushion lever frc	2
25	09263-20073 BEARING, rear cushion lever front	1
26	09180H12001 SPACER, rear cushion lever front	2



경고

• 이 부품은 오일이나 윤활유를 칠하지 마세요. 오일이나 윤활유를 칠하면 부품의 수명이 짧아지고, 사고를 유발할 수 있습니다.

• 이 부품은 오일이나 윤활유를 칠하지 마세요. 오일이나 윤활유를 칠하면 부품의 수명이 짧아지고, 사고를 유발할 수 있습니다.

• 이 부품은 오일이나 윤활유를 칠하지 마세요. 오일이나 윤활유를 칠하면 부품의 수명이 짧아지고, 사고를 유발할 수 있습니다.

1회 사용량	2회 사용량	3회 사용량
1/2	1	1 1/2
2회 사용량	3회 사용량	4회 사용량
1	1 1/2	2

1987년 11월 10일

FWD

FIG 43. SWINGING ARM

REF.	PARTS NAME	Q'TY
NO. MAT01		

27	09103H12046	BOLT, rear cushion lever front	1
28	08319-31128	NUT, rear cushion lever front	1
29	09284H32001	SEAL, rear cushion lever center	2
30	09263H20003	BEARING, rear cushion lever cente	2
31	61262-45002	COVER, rear swingarm pivot	2
32	62611HG5800HPA	LEVER ASS'Y,rear cushion	1
33	68320HM8150PL	LABEL,chain case	1

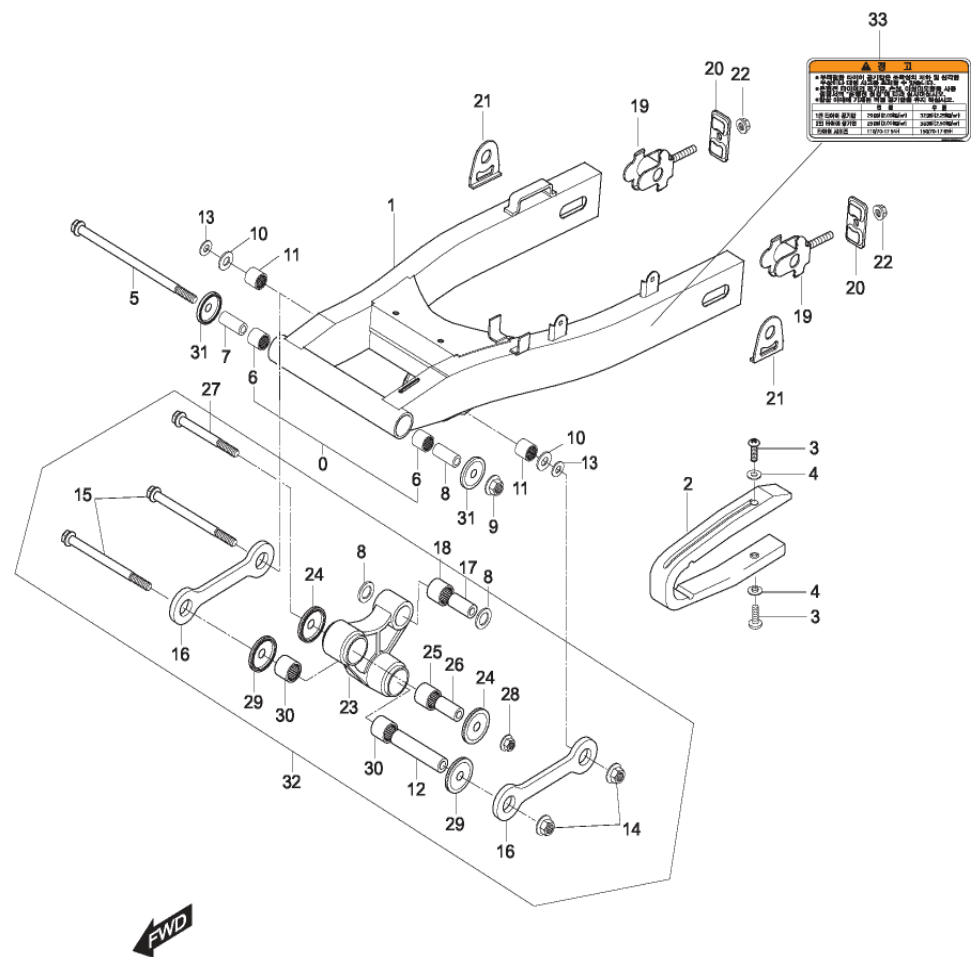


FIG 44. REAR SHOCK ABSORBER

REF.	PARTS NAME	Q`TY
NO. MAT01		
1	62100HR8301 SHOCK ABSORBER ASS`Y, rear	1
2	09103H10101 BOLT, rear shock absorber upper	1
3	08319-31108 NUT, rear shock absorber upper	2
4	09103H10101 BOLT, rear shock absorber lower	1
5	61310HM8102 CASE COMP, chain	1
6	09111H06066 BOLT, chain case	2
7	09160-10001 WASHER, rear shock absorber low	1

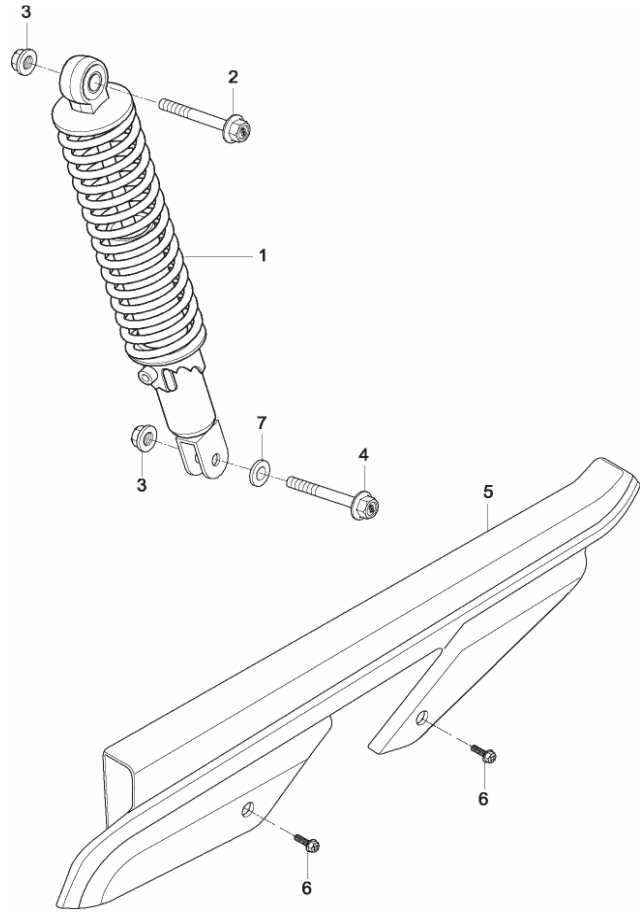


FIG 45. REAR FENDER

REF. NO.	MAT01	PARTS NAME	Q'TY
1	63111HM810112A	FENDER, rear	1
2	02142-06166	SCREW, rr fender	4
3	09169-06032	WASHER, rr fender	4
4	09148-05039	NUT, rr fender	4
5	09321-06023	CUSHION, license plate	2
6	35910HG5150	LAMP ASS'Y, license plate	1
7	08316-26055	NUT, license lamp(M5)	2
8	35915HG5800	COVER, license lamp	1
9	08316-26055	NUT, rear reflex reflector	1
10	35970-17303	REFLEX REFLECTOR ASS'Y, re	1
11	01107-05605	BOLT, license lamp	2
12	35911HG5800	LENS, license	1
13	35912HG5800	HOUSING, license	1
14	35916HG5800	CORD ASS'Y	1
15	09471-12210	BULB, license lamp(12V/5W)	1

FIG 45

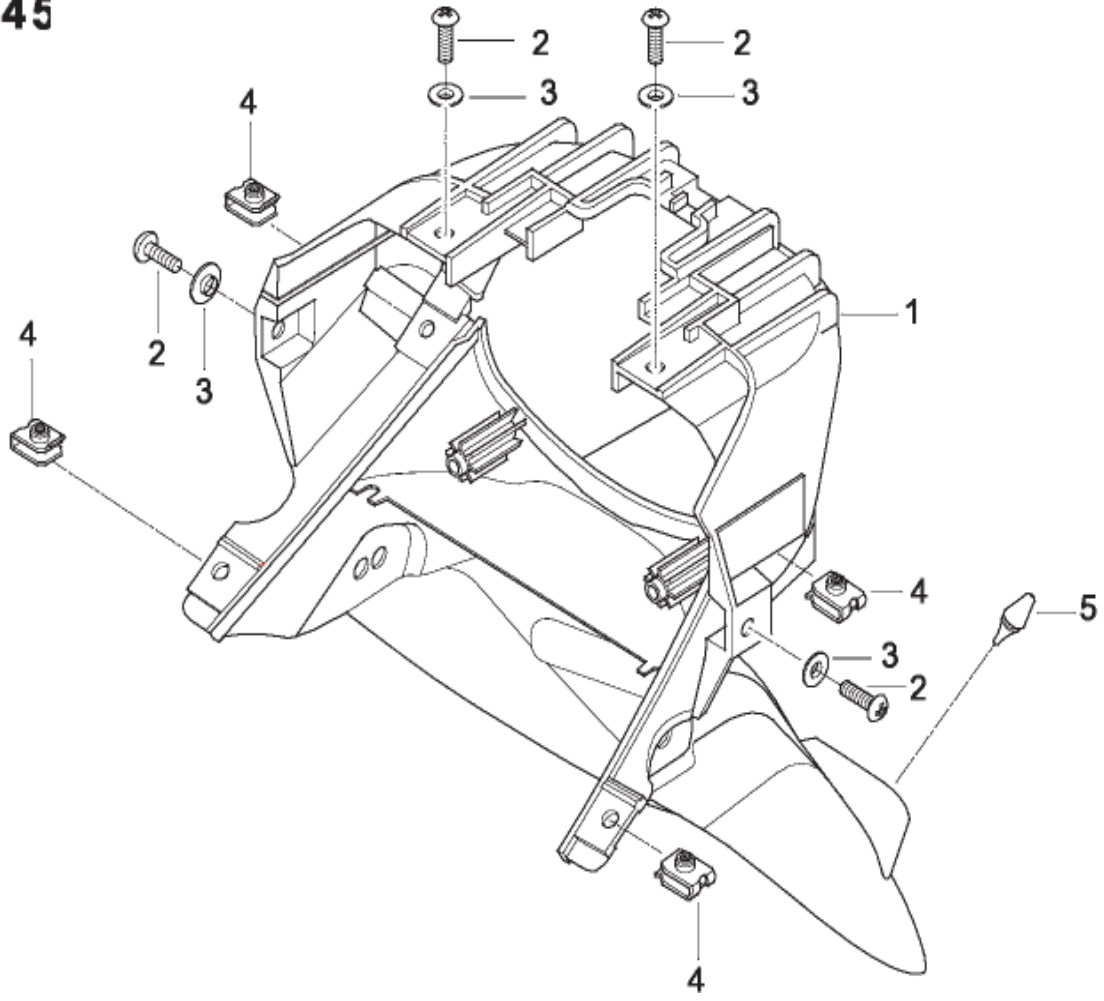


FIG 46. REAR WHEEL

NO. MAT01

1	64150HM8102HPA	WHEEL COMP, rear	1
	64150HM8103120	WHEEL + BEARING KM4MJ51B261103612~	1
1-1	64150HM8103	WHEEL COMP, rear(J17x MT4.00)	1
	64150HM8103120	WHEEL COMP, rear(J17x MT4.00) KM4MJ51B261103612~	1
2	65101HM8100	TIRE COMP, rear(150/70-17 69J)	1
3	55220-41D10	VALVE ASS'Y, wheel rim	1
4	64711HM8102	AXLE, rear	1
5	09159H16002	NUT, rear axle	1
6	64741HM8100	SPACER, rear axle R	1
7	64751HM8100	SPACER, rear axle L(46T)	1
8	64611HM810203P	DRUM, rear sprocket mounting	1
9	64511HM8102	SPROCKET, rear	1
10	64733HM8100	RETAINER, rear sprocket drum	1
11	01517-08358	BOLT, rear sprocket	6
12	08319-31088	NUT, rear sprocket	6
13	09285-28001	OIL SEAL, rear sprocket mounting	1
14	08133-62047	BEARING, rear sprocket mounting	1
15	09169-10013	WASHER, rear sprocket	3
16	64651HM8101	SHOCK ABSORBER, rear wheel	6
17	64731HM8100	SPACER, rear wheel bearing	1
18	08133-62037	BEARING, rear wheel L	1
19	08133-62037	BEARING, rear wheel R	1
20	09280-55001	O-RING, rear brake	1
21	69211HM8102	DISK, rear brake	1
22	59421-03A01	BOLT, rear brake disk	6
23	64712HJ8200	WASHER, chain adjuster R	1
23~1	64712HJ8201	WASHER, chain adjuster R KM4MJ51B261103724~	1
24	64712HJ8200	WASHER, chain adjuster L	1
24~1	64712HJ8201	WASHER, chain adjuster L KM4MJ51B261103724~	1
25	69340HM810303P	CARRIER, caliper	1

