



## **REFERENCE**

1.The detailed specifications of each model are referred by the persons who are in charge of overseas marketing team, Hyosung.

### 2.Special demand

When you order any colored parts including Fuel tank, please add color code to the end of parts number and it will be helpful to register your parts order.

※ Color code

0NR : BLACK + RED

0NS : BLACK + SILVER

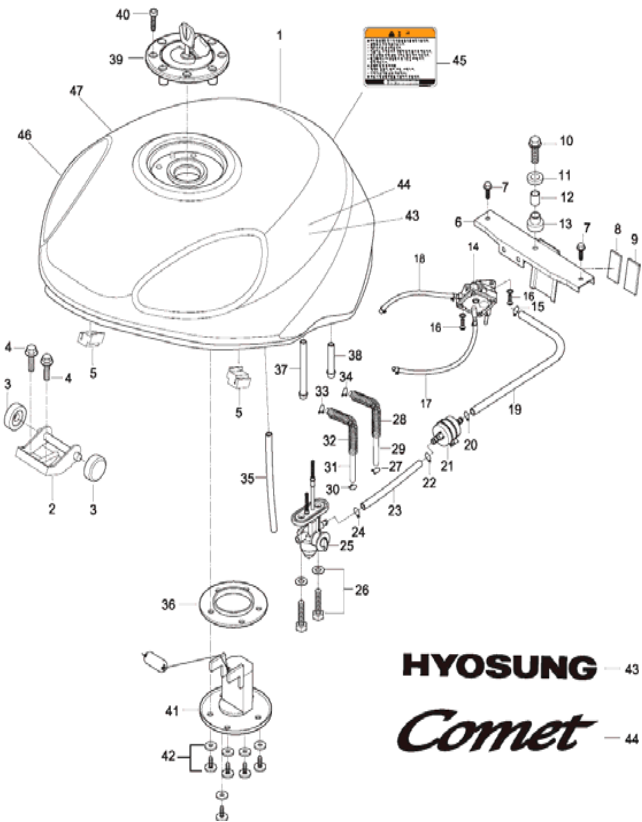
**HYOSUNG MOTORS & MACHINERY INC.**

# FIG 30. FUEL TANK

REF. NO.	2008' TWO TONE RAT01	PARTS NAME	Q`TY
----------	----------------------	------------	------

FIG 30

1	44110HN9100CDS	FUEL TANK (ONS COLOR)	1
	44110HN9110CDR	FUEL TANK (ONR COLOR)	1
		FUEL TANK (OUO COLOR)	1
2	44520HM8100	BRKT COMP, fuel tank front	2
3	09329-10007	CUSHION, fuel tank front	2
4	01517-06206	BOLT, fuel tank front brkt	2
5	09329H28001	CUSHION, fuel tank side	2
6	44530HM8100	BRKT COMP, fuel tank RR	2
7	01517-06206	BOLT, fuel tank RR brkt	1
8	44613HE7100	CUSHION, fuel tank RR brkt & battery	1
9	44218HF4500	CUSHION, fuel tank RR brkt & battery	1
10	09116H08078	BOLT, fuel tank RR	1
11	09320-14013	CUSHION, fuel tank RR up	1
12	09180H08007	SPACER, fuel tank RR cushion	1
13	09320H10020	CUSHION, fuel tank RR lower	1
14	15100HG5100	PUMP ASS'Y, fuel	1
15	09401H11401	CLIP, strainer outlet No.2	1
16	02112-06168	SCREW, fuel pump	2
17	44199HF1602	HOSE, fuel pump vacuum	1
18	15831HG2602	HOSE, fuel pump No.1	1
19	44199HM8100	HOSE, strainer outlet(L=118)	1
20	09401-10401	CLIP, strainer outlet No.2	1
21	44910HG2600	STRAINER COMP, fuel	1
22	09401-10401	CLIP, strainer inlet	1
23	44198HE6101	HOSE, vacum	1
24	09401H11401	CLIP, strainer inlet	1

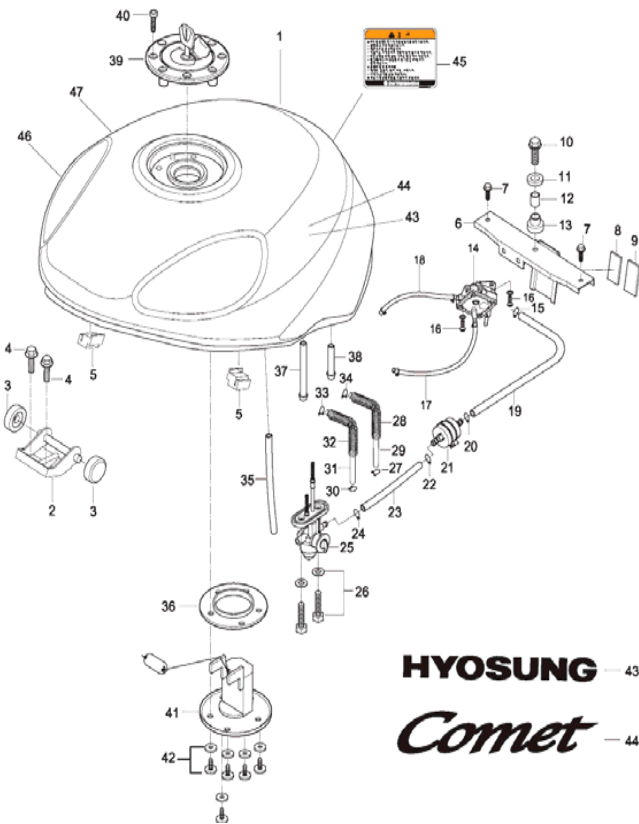


# FIG 30. FUEL TANK

REF. NO.	2008' TWO TONE RAT01	PARTS NAME	Q'TY
----------	----------------------	------------	------

FIG 30

25	44300HM8150	COCK ASS'Y, fuel	1
26	09168-06010	GASKET,F/level gauge	2
27	09401-08401	CLIP, fuel reserve No.1	2
28	09440-10009	SPRING, fuel on(L=120)	1
29		HOSE, fuel on	1
30		CLIP, fuel on No.1	1
31		HOSE, fuel reserve	1
32	09440-10009	SPRING, fuel reserve(L=180)	1
33	09401-10401	CLIP, fuel reserve No.2	1
34	09401-10401	CLIP, fuel on No.2	1
35	09352H70103650	HOSE, fuel tank drain(L=650)	1
36	44118-01D30	PLATE, fuel tank inlet	1
37		FILTER, fuel on	1
38		FILTER, fuel reserve	1
39	44200H35C30	CAP ASS'Y, fuel tank filler	1
40	09106-05017	BOLT, fuel tank filler	4
41	34810HM8102	GAUGE ASS'Y, fuel level sender	1
42	01134-05106	BOLT, fuel level sender	5
43	<b>68120HN9100120</b>	<b>EM, FUEL TANK(ONS,ONR,OUO)</b>	<b>2</b>
	68120HN910003P	EM, FUEL TANK	2
		EM, FUEL TANK	2
		EM, FUEL TANK	2
45	68319H05350PL	PLATE, CAUTION	1
46	44215HM8100	CUSHION,F/tank in2	1
47	44216HM8100	CUSHION,F/tank in3	1
48	<b>68114H797600D5</b>	<b>TAPE, FUEL TANK R</b>	<b>1</b>
49	<b>68116H797600D5</b>	<b>TAPE, FUEL TANK L</b>	<b>1</b>

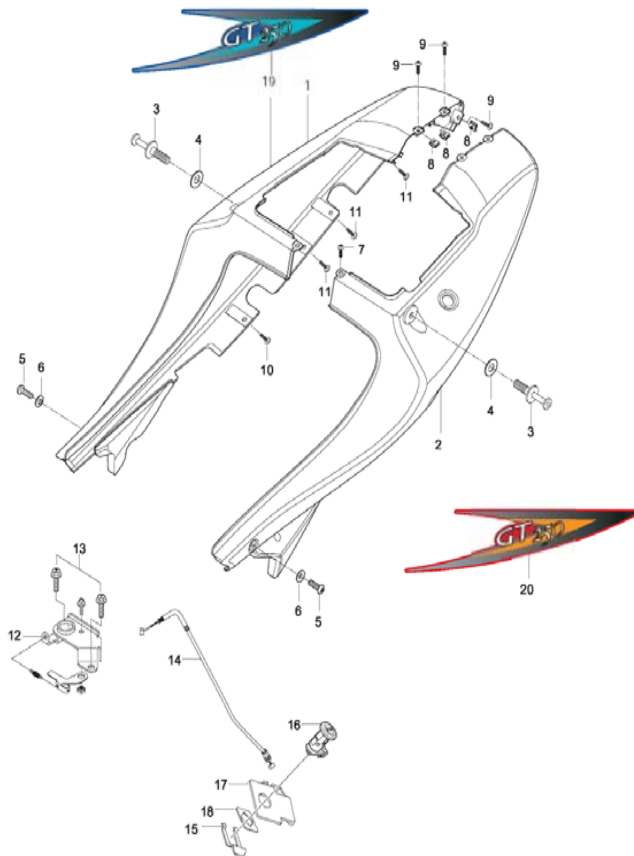


# FIG 33. SIDE COVER

REF. NO.	2008' TWO TONE RAT01	PARTS NAME	Q'TY
----------	----------------------	------------	------

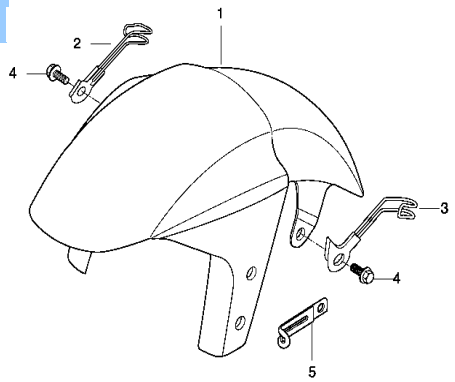
FIG 33

1	47111HM8104CBK	COVER, side R (ONS,ONR,)	1
2	47211HM8105CBK	COVER, side L (ONS,ONR,)	1
3	47113HM8101	BOLT, luggage support	2
3-1	47115HN9100	CAP, LUGG SUPPORT BOLT	2
4	08322-11088	WASHER, luggage bolt & frm side	2
5	02142-06166	SCREW, frm side front	2
6	09169H06078	WASHER, frm side front	2
7	02142-06166	SCREW, frm side center	1
8	09148-05004	NUT, frm side rear up	3
9	03241-05125	SCREW, frm side rear up	3
10	02142-06206	SCREW, frm side low & frm	2
11	02142-05166	SCREW, frm side low & rear fender	6
12	45220HM8101	LOCK ASS'Y, seat striker rear	1
13	02122-06308	BOLT, seat striker(M6X16)	2
14	45280-35C00	CABLE ASS'Y, seat lock	1
15	92414HF4500	LOCK, key set	1
16	45700HG2610	LOCK ASS'Y, seat	1
17	45381HG2601	GUIDE, seat lock cable	1
18	92413HF4501	WASHER, side cover	1
19	68134H797600D6	TAPE,SIDE COV R(ONS)	1
	68134H797600D7	TAPE,SIDE COV R(ONR)	1
20	68136H797600D6	TAPE,SIDE COV L(ONS)	1
	68136H797600D7	TAPE,SIDE COV L(ONR)	1



# FIG 36. FRONT FENDER

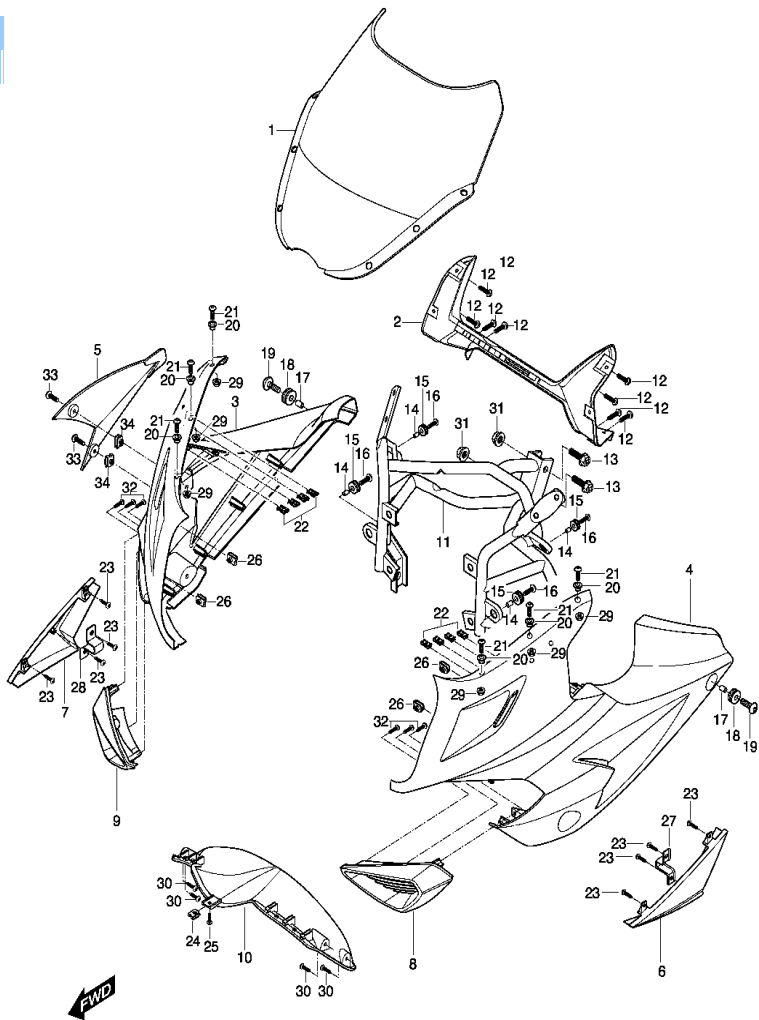
REF. NO.	2008' TWO TONE RAT01	PARTS NAME	Q'TY
1	53111HMS1000BK	FENDER, front(color:0NS,0NR,0UO)	1
2	59430HN9100	CLAMP COMP, front brake hose R	1
3	59440HN9100	CLAMP COMP, front brake hose L	1
4	01517-08126	BOLT, front brake hose clamp R/L	2
5	09404-08403	CLAMP, speed sensor	1
6	09169H06078	WASHER, front fender	4



# FIG 48. COW'G BODY

# FIG 36

REF. NO.	2008' TWO TONE RAT01	PARTS NAME	Q'TY
1	94611HP9203HPA	WINDSCREEN ASSY(COLOR :LIQUID)	1
	94601HP9200HPA	WIND SCREEN ASS'Y(COLOR : TONED)	1
1-1	94611HP9203	WINDSCREEN	1
1-2	68500HP9200	TAPE,WINDSCREEN	1
1-3	68120HL7300120	EMBLEM,LEG SHIELD FRONT(HYOSUNG)	1
2	94641HP9200	PANEL, meter	1
3	94411HP92020DS	COW'G, body side R(ONS)	1
	94411HP92020DR	COW'G, body side R(ONR)	1
4	94421HP92020DS	COW'G, body side L(ONS)	1
	94421HP92020DR	COW'G, body side L(ONR)	1
5	94431HP92000DS	COW'G, body side R inner(ONS)	1
	94431HP92000DR	COW'G, body side R inner(ONR)	1
8	94671HP9200121	COW'G, air duct L	1
9	94661HP9200121	COW'G, air duct R	1
10	94441HP92000DS	COW'G, body center lower(ONS)	1
	94441HP92000DR	COW'G, body center lower(ONR)	1
11	94510HP9202	BRACE, cowling	1
12	03241-05125	BOLT, meter panel & body side cow R/L	8
13	09103H08254	BOLT, brace comp & frame head pipe	2
14	09180H06208	SPACER, body side cow R/L & brace comp	4
15	09320-09034	CUSHION, body side cow R/L & brace comp	4
16	09116-06143	BOLT, body side COW'G R/L & brace comp	4
17	09180H06208	SPACER, body side COW'G R/L & frame	2
18	09320-09016	CUSHION, body side COW'G R/L & frame	2
19	09136-06113	BOLT, body side COW'G R/L & frame	4
20	09320-07012	CUSHION, windscreen & body side COW'G up	6
21	09106H05150	BOLT, windscreen & body side COW'G up	6
22	09148-05004	NUT, body side COW'G R/L & meter panel	8
23	03241-05106	SCREW, side COW'G & lower COW'G	8
24	09148-05004	NUT, lower COW'G ctr & body side COW'G R/L	1
25	03241-05125	SCREW, lower COW'G ctr & body side COW'G	1
26	09148-06020	NUT, body side COW'G R/L & brace comp	4
29	08316-26055	NUT, windscreen & body side COW'G up	6
30	03211-05166	SCREW, lower COW'G & body side COW'G R/L	4



# FIG 49. COW'G BODY

REF. NO.	2008' TWO TONE RAT01	PARTS NAME	Q'TY
0	94409HP9450	UNDER COW'G SET(color:OBK,0DR,0DS,0MO:WITH I	
1	94432HP9402CBK 94432HP9402CBK	COW'G, under RH (ONS) COW'G, under RH (ONR)	1 1
2	94433HP9400CBK 94433HP9400CBK without Tape	COW'G, under LH (ONS) COW'G, under LH (ONR)	1 1
3	94431HP94000BK	COW'G, under center (color:0NS,0NR)	1
4	94434HR8300	PLATE, under COW'G RH	1
5	94435HR8300	PLATE, under COW'G LH	1
6	94436HP9401	PLATE, under center COW'G	1
7	94478HR8300	PLATE COMP,under COW'G upper RH	1
8	94479HR8300	PLATE COMP,under COW'G upper LH	1
9	01134-06306	BOLT, body under COW'G & frame	2
10	09106H05150	BOLT, body under COW'G R/L	11
10-1	09136-06113	BOLT	2
10-2	09106H06150	BOLT	4
11	09148-05004	NUT, under COW'G	9
12	94425HP9401	PLATE, body COW'G side lower	2
13	94426HP9401	PLATE, body COW'G side	4
14	94439HP9401	GRILL, under center COW'G	1
15	94417HP9201	PLATE COMP, frame & body COW'G No.2	2
16	03151-05125	SCREW, side COW'G & lower cowl	7
16-1	03241-05125	SCREW	9
17-A	68144H797600D1 68144H797600D2	TAPE, UNDER COW'G NO1 R (ONS) TAPE, UNDER COW'G NO1 R (ONR)	1 1
17-B	68154H787600D4 68154H787600D3	TAPE, UNDER COW'G NO2 R (ONS/OUO) TAPE, UNDER COW'G NO2 R (0NR)	1 1
17-C	68146H797600D1 68146H797600D2	TAPE, UNDER COW'G NO1 L (ONS) TAPE, UNDER COW'G NO1 L (ONR)	1 1
17-D	68156H787600D4 68156H787600D3	TAPE, UNDER COW'G NO2 L(ONS/OUO) TAPE, UNDER COW'G NO2 L (0NR)	1 1
18	94453HP9400	CUSHION, Under Cow'g Side L	2
19	94456HP9400	CUSHION, Under Cent Cow'g R	1
20	94457HP9400	CUSHION, Under Cent Cow'g L	1
21	94458HP9400	CUSHION, Under Cowling R	1
22	94459HP9400	CUSHION, Under Cowling L	1

FIG 37

