



GT250RNW



GT250RBK



GT250RDR



GT250RNR



GT250RNS

FIG 1-1. CYLINDER HEAD/ (FRONT)

REF. NO.	PARTS NAME	Q'TY
1	11110HR8610PCH HEAD ASS'Y, cylinder	1
2	11171HG5102121 COVER,cylinder head	1
3	11173HG5100 GASKET,cylinder head cover NO.1	8
4	09168-08021 GASKET, cylinder head bolt	4
5	12782-35C00 GUIDE, camchain NO.2	2
6	09390-35001 C-RING, camshaft	8
7	09206-08001 PIN, camshaft housing knock	1
8	01517-06128 BOLT, oil galley(M6X12)	4
9	09168H06019 GASKET,oil galley bolt	4
10	09103-06013 BOLT, camshaft housing(M6X20)	4
11	09482-00456 PLUG,spark CR8E	1
12	09109H07018 BOLT, cylinder head cover(M7X17.5)	3
13	09161H11008 WASHER, cylinder head cover	1
14	09103H08306 BOLT, cylinder head (L=130)	1
15	11178-17E00 GASKET, cylinder head cover NO.2	4
16	01421-06258 BOTL,cylinder head stud(M6x25)	1
17	11121-35C00PCH HOUSING, camshaft No.1	4
18	11122-35C00PCH HOUSING, camshaft No.2	1
19	11123-35C00PCH HOUSING, camshaft No.3	1
20	11124-35C00PCH HOUSING, camshaft No.4	1

FIG 1-1

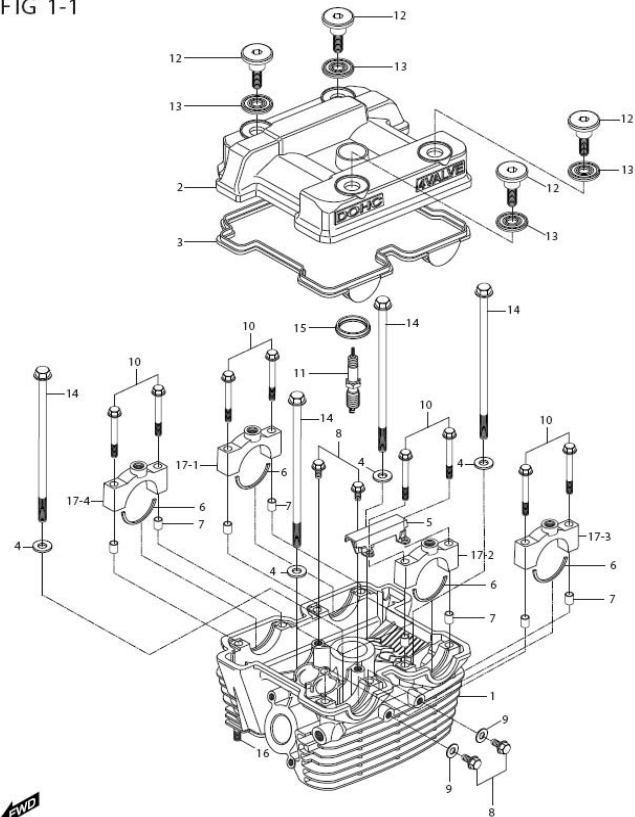


FIG 1-2. CYLINDER HEAD/ (REAR)

REF. NO.	PARTS NAME	Q'TY
1	11110HR8610PCH HEAD ASS'Y, cylinder	1
2	11171HG5102121 COVER,cylinder head	1
3	11173HG5100 GASKET,cylinder head cover NO.1	8
4	09168-08021 GASKET, cylinder head bolt	4
5	12782-35C00 GUIDE, camchain NO.2	2
6	09390-35001 C-RING, camshaft	8
7	09206-08001 PIN, camshaft housing knock	1
8	01517-06128 BOLT, oil galley(M6X12)	4
9	09168H06019 GASKET,oil galley bolt	4
10	09103-06013 BOLT, camshaft housing(M6X20)	4
11	09482-00456 PLUG,spark CR8E	1
12	09109H07018 BOLT, cylinder head cover(M7X17.5)	3
13	09161H11008 WASHER, cylinder head cover	1
14	09103H08306 BOLT, cylinder head (L=130)	1
15	11178-17E00 GASKET, cylinder head cover NO.2	4
16	01421-06258 BOTL,cylinder head stud(M6x25)	1
17	11121-35C00PCH HOUSING, camshaft No.1	4
18	11122-35C00PCH HOUSING, camshaft No.2	1
19	11123-35C00PCH HOUSING, camshaft No.3	1
20	11124-35C00PCH HOUSING, camshaft No.4	1

FIG 1-2

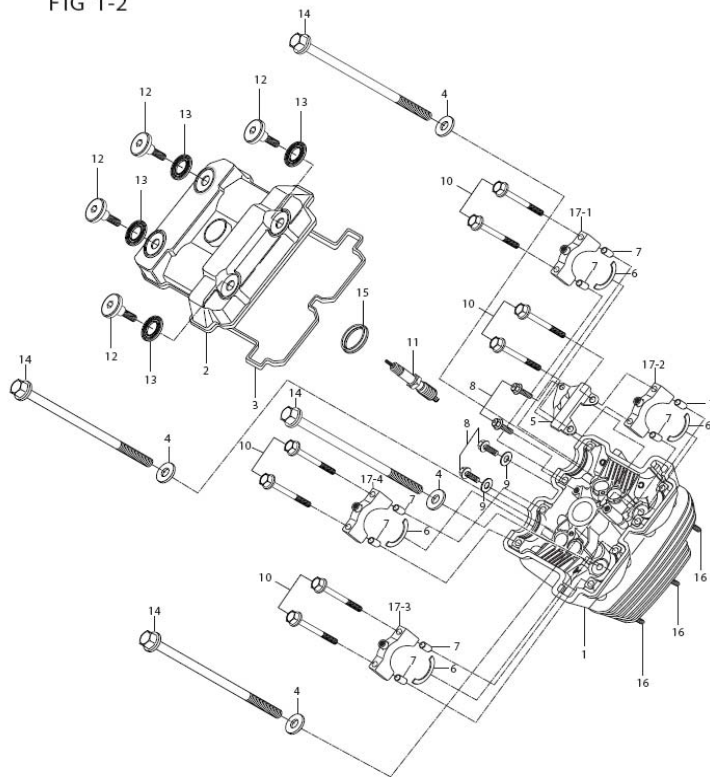


FIG 2. CYLINDER/FRONT, REAR

REF. NO.	PARTS NAME	Q'TY
1	11220HR8651PCY CYLINDER COMP, rear	1
2	11141HJ8210 GASKET, cylinder head	1
3	11241HG5103 GASKET, cylinder	1
4	04213-11169 PIN, cylinder head knock	2
5	11210HR8651PCY CYLINDER COMP, front	1
6	11141HJ8210 GASKET, cylinder head	1
7	11241HG5103 GASKET, cylinder	1
8	04213-11149 KNOCK PIN, cylinder	2
9	04213-11149 KNOCK PIN, cylinder	2
10	04213-11169 PIN, cylinder head knock	2
11	11251HG5100121 FIN, cylinder (FRONT)	1
12	07110-05168 BOLT, cylinder fin (FRONT)	2
13	11251HG5100121 FIN, cylinder (REAR)	1
14	07110-05168 BOLT, cylinder fin (REAR)	2
15	08310-16068 NUT,cylinder head(116)	10
16	01421-06258 BOLT,cylinder stud	4

FIG 2

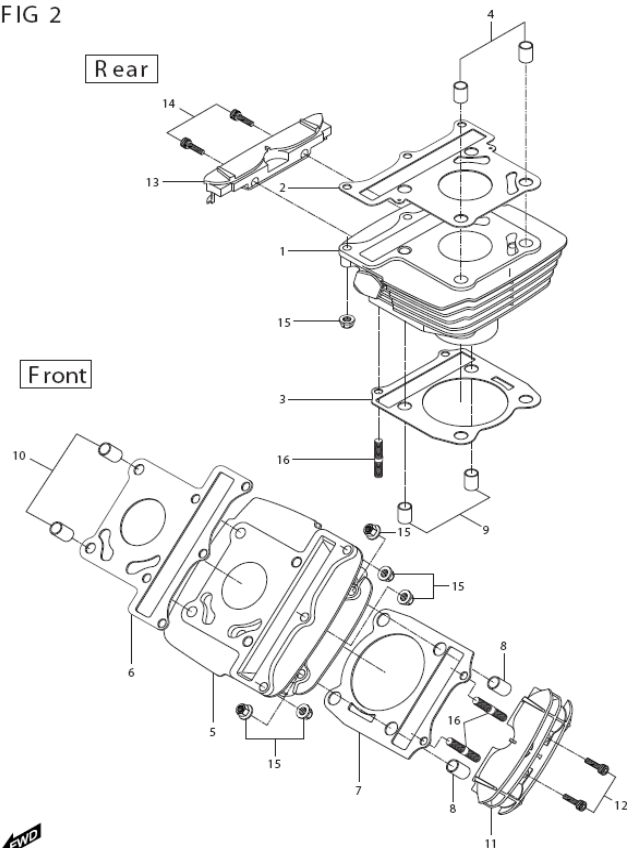


FIG 3. OIL COOLER

REF. NO.	PARTS NAME	Q'TY
1	16600HJ8200 COOLER ASS'Y, oil	1
2	16460HG5120 HOSE COMP, oil cooler NO.1	1
3	16470HJ8200 HOSE COMP, oil cooler NO.2	1
4	09360H12007 BOLT, oil cooler hose union NO.2	2
5	09360H10034 BOLT, oil cooler hose union NO.1	2
6	01102-06258 BOLT, oil cooler	2
7	09320-10015 CUSHION, oil cooler	2
8	09180-06030 SPACER, oil cooler	2
9	09161-10009 GASKET, oil cooler NO.1	4
10	09168-14011 GASKET, oil cooler NO.2	4
11	11280HJ8200 PIPE COMP, oil front	1
12	11290HG5101 PIPE COMP, oil rear	1
13	09360H10034 UNION BOLT, oil pipe upper	2
14	09161-10009 GASKET, oil pipe upper	4
15	15331HG5101 UNION BOLT, oil pipe lower	1
16	09161-10009 GASKET, oil pipe lower	3

FIG 3

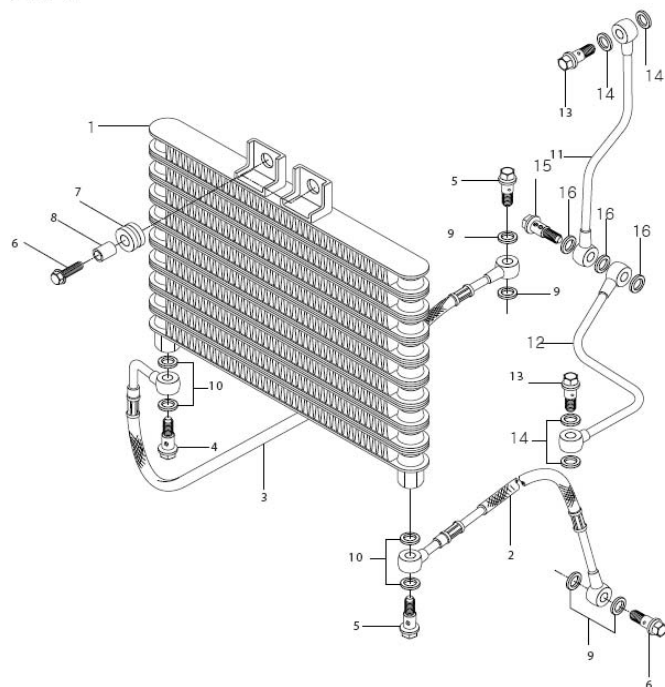


FIG 4. CRANK CASE

REF. NO.	PARTS NAME	Q'TY
----------	------------	------

1	11320HJ8203121	CRANKCASE COMP, L	1
2	11310HJ8203121	CRANKCASE COMP, R	1
3	09364-12001	UNION, breather hose	1
4	09103H10022	BOLT, frame & engine l=110	3
5	08319-31108	NUT, frame & engine	3
6	04213-13189	PIN, crankcase knock	2
7	11319-05200	PLATE, oil gallery plug	1
8	01107-06106	BOLT, oil gallery plug plate	1
9	01547-06558	BOLT, crankcase	6
10	01547-06808	BOLT, crankcase	5
11	02112-06908	SCREW,crankcase	1
12	09401-14301	CLIP,breather drain cap	1
13	13870H29B00	CAP COMP,breather drain	1
14	09404-06404	CLAMP, crankcase	2

FIG 4

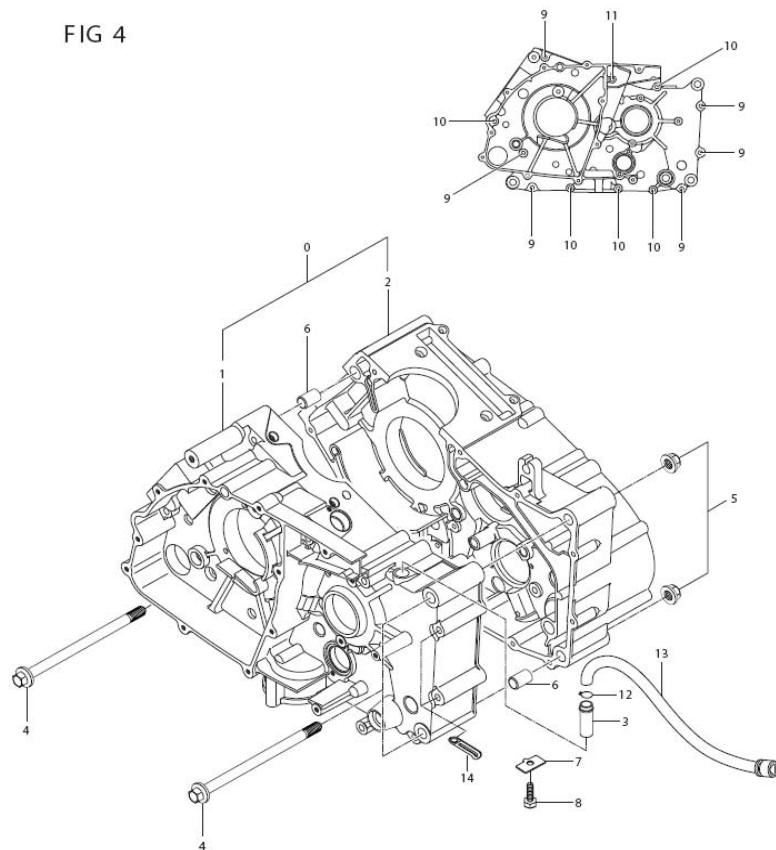


FIG 5. CRANK CASE COVER

REF. NO.	PARTS NAME	Q'TY
----------	------------	------

1	11341HJ8200121	COVER COMP, clutch
2	11351HJ8203121	COVER , magneto
3	11482HG5102	GASKET, clutch cover (NA)
4	11483HG5102	GASKET, magneto cover
5	09247-14026	PLUG, oil check
6	09168H14003	GASKET, oil check plug
7	09259-20010	PLUG, eng oil filler
8	09280-17003	O-RING, eng oil filler plug
9	04213-13189	PIN, clutch cover knock
10	04213-09129	PIN,magneto cover knock
11	01547-06308	BOLT, magneto cover
12	01547-06708	BOLT, magneto cover
13	09403H09304	CLAMP, clutch cable
14	09259-2601503S	PLUG, crankshaft hole
15	09280-22008	O-RING, crankshaft hole plug
16	01547-06258	BOLT, clutch cover
17	01547-06358	BOLT, clutch cover
18	01547-06608	BOLT, clutch cover
19	01547-06758	BOLT, clutch cover
20	09247H12102	PLUG, TDC
21	09168H12003	GASKET, T.D.C plug
22	11360HM8101121	COVER COMP, engine sprocket
23	01547-06308	BOLT, engine sprocket cover
24	01547-06408	BOLT, engine sprocket cover
25	08321-31068	WASHER, engine sprocket cover

FIG 5

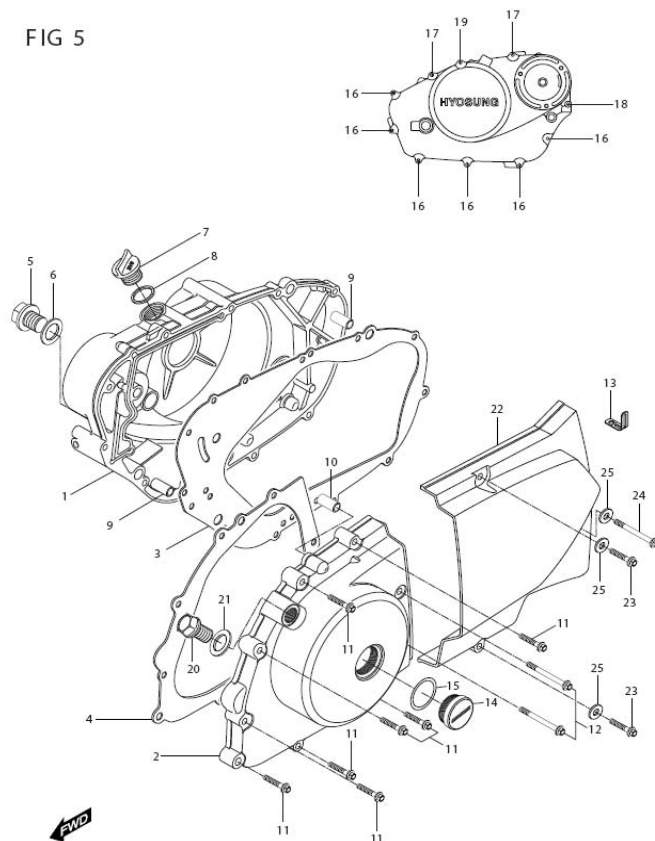


FIG 6. CRANK SHAFT

FIG 6

REF. NO.	PARTS NAME	Q'TY
1	12200HJ8200HPA CRANK SHAFT ASS'Y	1
2	12161HJ8200 ROD, connecting	1
3	09263H30002 BEARING, crank pin	2
4	12211HJ8202HPA PIN, crank	1
5	12221HJ8203CSA CRANK SHAFT, R	1
6	12261HJ8203CSA CRANK SHAFT, L	1
7	09262H350A60AO BEARING, crank shaft, R	1
8	09262H350A60AO BEARING, crank shaft, L	1
9	21111HJ8201 GEAR, primary drive	1
10	21112HJ8200 GEAR, primary drive NO.2	1
11	09421H05001 KEY, primary drive gear	1
12	21114-35C00 SPRING,primary drive gear	3
13	09166H16021 WASHER, primary drive gear thrust	1
14	09140-16019 NUT,primary drive gear	1
15	09282-12001 SEAL, crank shaft oil rh	1
16	12111HM810PPS PISTON,rear	1
17	12151-30B00 PIN, piston	1
18	09381-15001 CIRCLIP, piston pin	2
20	12141-16E00 RING, piston 1st	1
21	12142-16E00 RING, piston 2nd	1
22	12144-16E00 RING, piston oil	1

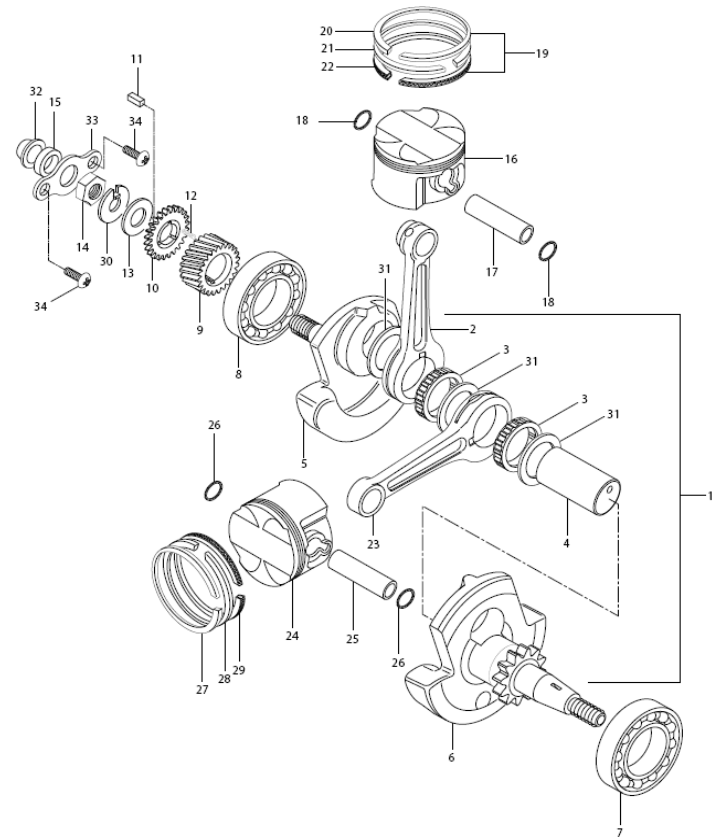


FIG 6. CRANK SHAFT

FIG 6

REF. NO.	PARTS NAME	Q'TY	
23	12161HJ8200	ROD, connecting	1
24	12111HM8101PPS	PISTON,front	1
25	12151-30B00	PIN, piston	1
26	09381-15001	CIRCLIP, piston pin	2
27	12141-16E00	RING, piston 1st	1
28	12142-16E00	RING, piston 2nd	1
29	12144-16E00	RING, piston oil	1
30	09166H16032	WASHER,primary drive gear lock	1
31	09160H30001	WASHER	3
32	11342HJ8200	JET	1
33	11343HG5100	RETAINER	1
34	02112-06108	SCREW	2

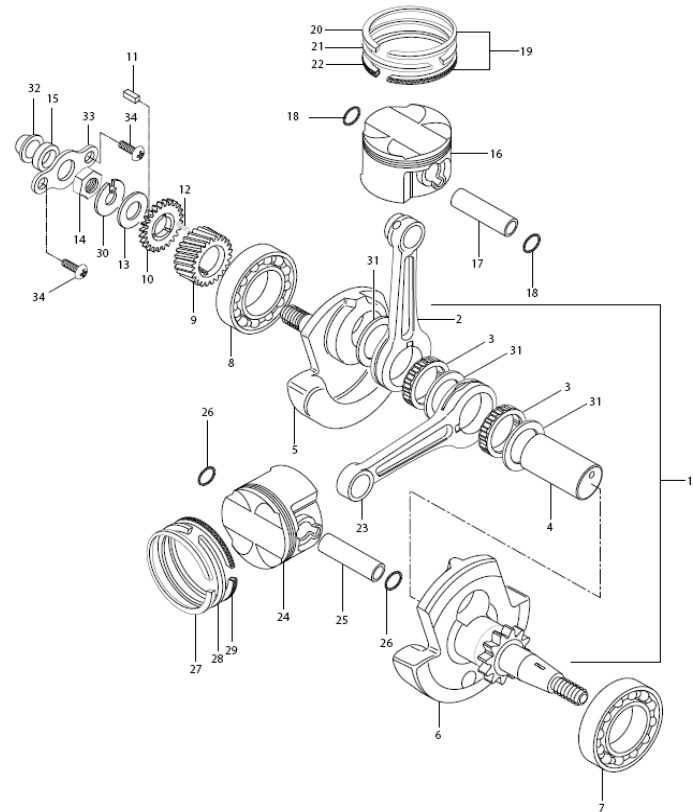


FIG 7. STARTER CLUTCH

FIG.7

REF. NO.	PARTS NAME	Q'TY	
1	12611HJ8200	GEAR, starter idle	1
2	12612HG5100	SHAFT,starter idle gear	1
3	09180-13006	SPACE, starter idle gear	1
4	12620HJ8204	GEAR COMP, starter clutch	1
5	09304H25002	BUSH, starter clutch gear	1
6	07110-08258	BOLT, starter clutch	3
7	12622HJ8201	GEAR, starter clutch	1
8	12621HJ8200	RACE, starter clutch gear inner	1
9	12614HS5000	CLUTCH, starter one way	1

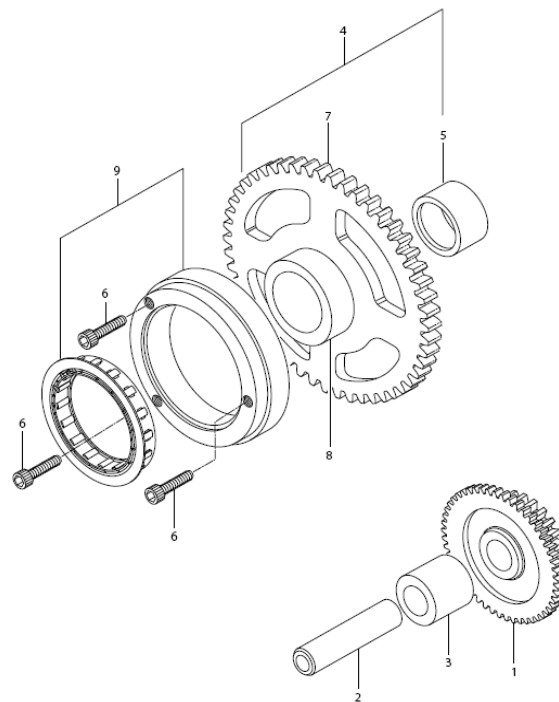


FIG 8-1. CAMSHAFT REAR

FIG 8-1

REF. NO.	PARTS NAME	Q'TY
1	12711HM8100888 CAMSHAFT, intake rear	1
2	09262-17019 BEARING, camshaft rear (22.4X29.6X8)	4
3	12742HJ8200 SPROCKET, camshaft rear	2
4	12747-44B00 WASHER, sprocket rear	2
5	09261-05005 PIN, sprocket rear	2
6	09111-06032 BOLT, sprocket rear (M6X10)	4
7	12721HJ8200888 CAMSHAFT, exhaust rear	1
8	12911HJ8200 VALVE, intake rear	2
9	12912HJ8200 VALVE, exhaust rear	2
10	12921HJ8200 SPRING, valve rear	4
11	12931HJ8200 RETAINER, valve spring rear	4
12	12932HJ8200 COTTER, valve rear	8
13	12892-05C00(#170) SHIM, tappet rear	4
14	12881HJ8200 TAPPET, rear	4
15	09289H04002 SEAL, valve stem oil rear (4X7.2X8)	4
16	12933HJ8200 SEAT, valve spring rear	4
17	12720HJ8200HPA CAMSHAFT ASS'Y, rear intake	1
18	12750HJ8201HPA CAMSHAFT ASS'Y, rear exhaust	1

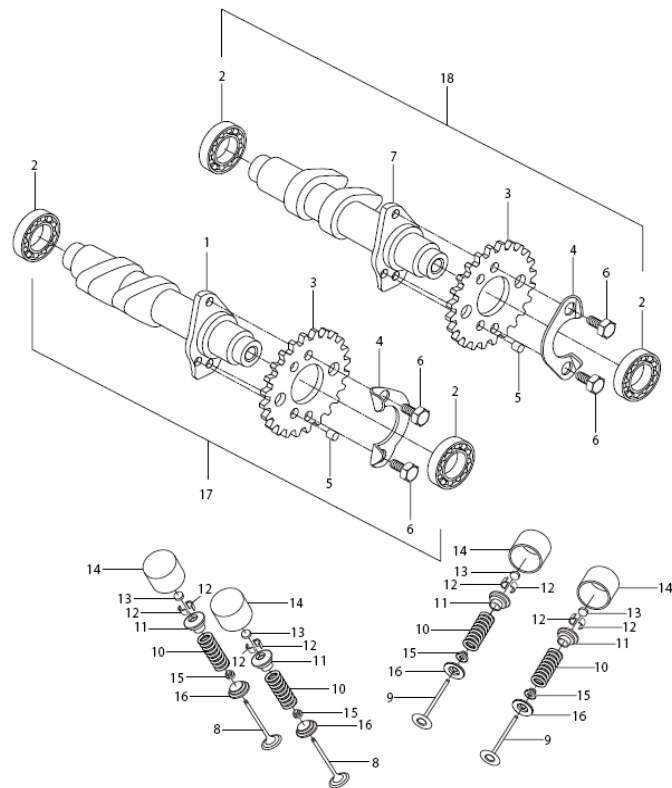


FIG 8-2. CAMSHAFT FRONT

FIG 8-2

REF. NO.	PARTS NAME	Q'TY
----------	------------	------

1	12711HJ8200888	CAMSHAFT, intake front	1
2	09262-17019	BEARING, camshaft front (22.4X29.6X8)	4
3	12741H16E00	SPROCKET, camshaft front	2
4	12747-44B00	WASHER, sprocket front	2
5	09261-05005	PIN, sprocket front	2
6	09111-06032	BOLT, sprocket front (M6X10)	4
7	12721HJ8200888	CAMSHAFT, exhaust front	1
8	12911HJ8200	VALVE, intake front	2
9	12912HJ8200	VALVE, exhaust front	2
10	12921HJ8200	SPRING, valve front	4
11	12931HJ8200	RETAINER, valve spring front	4
12	12932HJ8200	COTTER, valve front	8
13	12892-05C00(#170)	SHIM, tappet front	4
14	12881HJ8200	TAPPET, front	4
15	09289H04002	SEAL, valve stem oil front (4X7.2X8)	4
16	12933HJ8200	SEAT, valve spring front	4
17	12710HJ8200HPA	CAMSHAFT ASS'Y, front intake	1
18	12730HJ8200HPA	CAMSHAFT ASS'Y, front exhaust	1

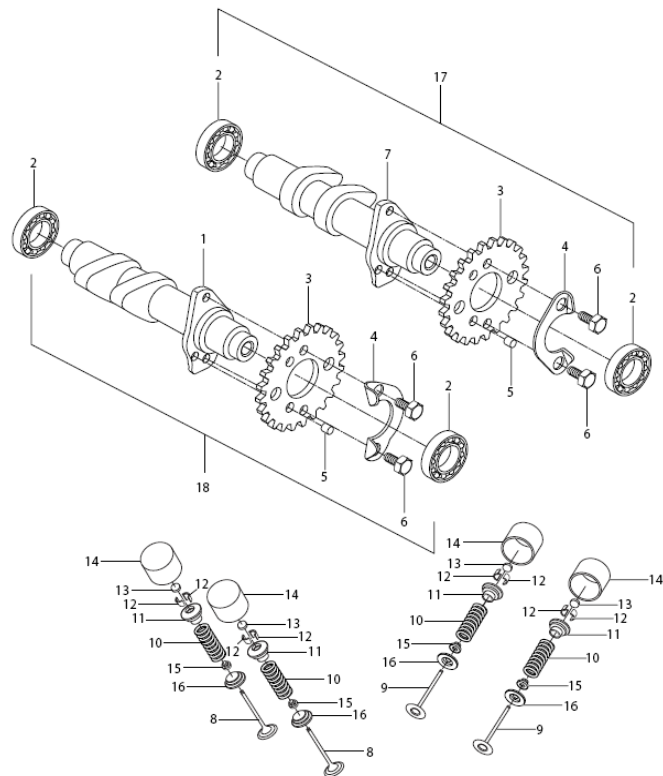


FIG 9. CAM CHAIN

REF. NO.		PARTS NAME	Q'TY
----------	--	------------	------

1	12760-16E00	CHAIN COMP, camshaft drive	2
2	12771-16E00	GUIDE, camchain NO.1	2
3	12811HJ8200	TENSIONER, camchain	4
4	08211-06181	WASHER, camchain tensioner bolt	2
5	12812H35C00	BOLT, camchain tensioner	2
6	12837HP7600	GASKET, tensioner adjuster	2
7	12830H88600	ADJUSTER ASS'Y, tensioner	2
8	07110-06208	BOLT, tensioner adjuster	2
9	12839HN9120	SCREW, tensioner adjuster	2
10	12838HP7600	O-RING, adjuster	2

FIG 9

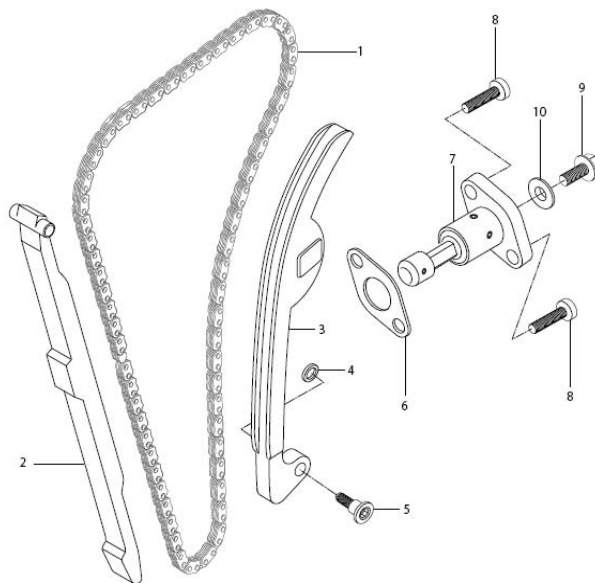


FIG 10. THROTTLE BODY

FIG.10

REF. NO.	PARTS NAME	Q'TY
----------	------------	------

0	13400HR8601	BODY ASS'Y, throttle	1
1	13410HR8600	BODY COMP, throttle	2
2	13110HR8600	PIPE COMP, intake front	1
3	13120HR8600	PIPE COMP, intake rear	1
4	15710HR8601	INJECTOR	2
5	37920H88600	SENSOR, intake air pressure	2
6	13129HR8600	INSULATOR	2
7	09280H34000	O-RING, intake pipe	4
8	09128H06020	SCREW, intake pipe	4
9	13480HR8600	BRACKET COMP, puel hose jiont	1
10	15911HP9300	JOINT, fuel hose	1
11	09169H06078	WASHER, fuel hose joint	1
12	01517-06125	BOLT, joint	1
13	15870HR8600	HOSE ASS'Y, fuel injector joint No1.	1
14	15880HR8600	HOSE ASS'Y, fuel injector joint No2.	1
15	13580H88600	TPS	1

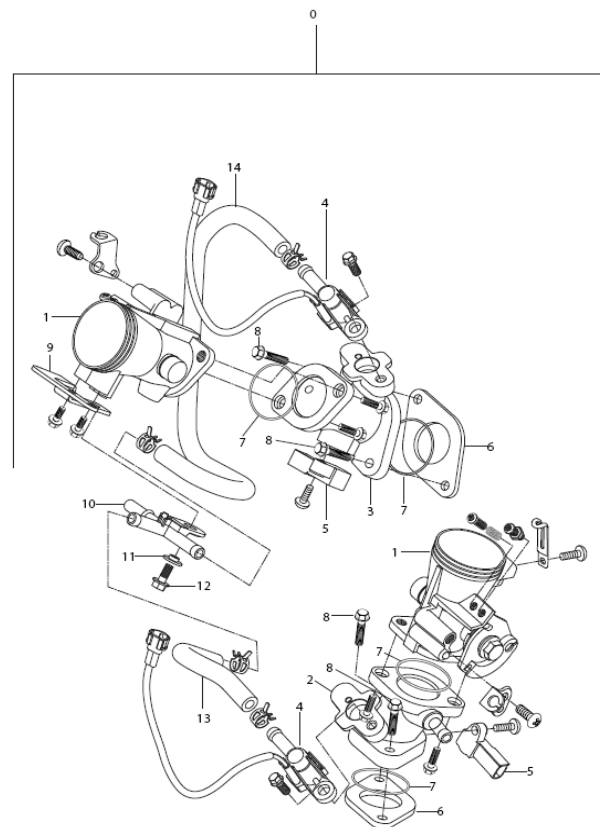


FIG 10-1. 2ND AIR VALVE

FIG.10-1

REF. NO.	PARTS NAME	Q'TY
----------	------------	------

1	18500H89800	VALVE ASS'Y, 2nd air	1
2	18651H88600	HOSE, 2nd air cleaner	1
3	18581H88600	HOSE, 2nd reed valve	1
4	18641H88600	HOSE, 2nd air pipe rear	1
5	18631H88600	HOSE, 2nd air pipe front	1
6	18610HM8130	PIPE COMP, 2nd air front	1
7	18615HN9101	GASKET, 2nd air pipe	2
8	18560HR8600	VALVE ASS'Y, reed	1
9	18610HJ8290	PIPE COMP, 2nd air rear	1
10	09128-06005	BOLT, 2nd air pipe	4
11	18570HR8600	BRACKET COMP, reed valve	1
12	01517-06125	BOLT, reed valve bracket	2
13	01547-06208	BOLT, reed valve	2
14	09401H10401	CLAMP, 2nd air cleaner hose	3
15	09401H13401	CLAMP, 2nd air pipe hose	5

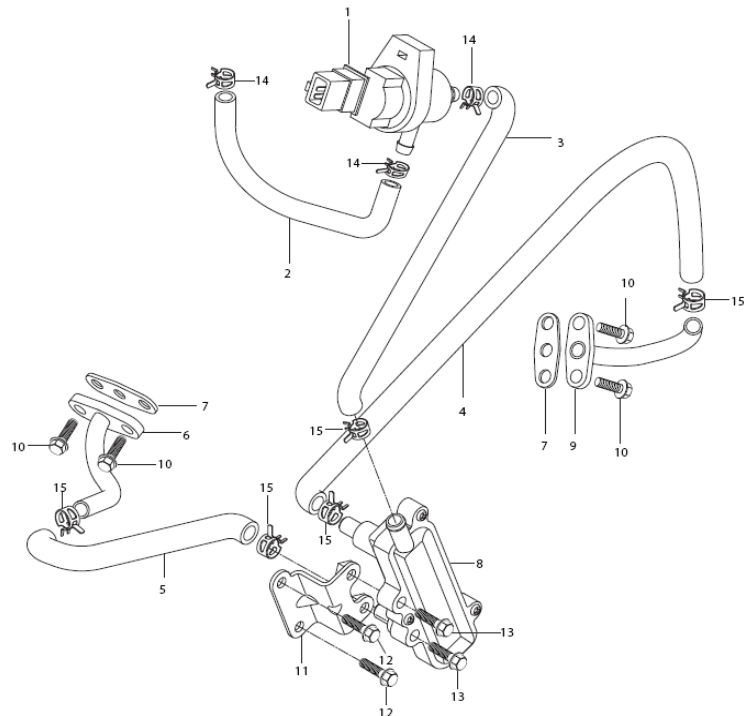


FIG 11. AIR CLEANER&CHAMBER

REF. NO.	PARTS NAME	Q'TY
1	13700H88601 CLEANER ASS'Y, air	1
2	13721HR8602 CASE, air cleaner	1
3	13740HM8101 CAP COMP, air cleaner	1
4	13780HM8100 FILTER COMP, air cleaner	1
5	13881HR8400 TUBE, outlet	2
6	09402-56208 CLAMP, outlet tube	2
7	13895HF4500 PLUG, oil drain	2
8	09401-14301 CLIP , oil drain plug	2
9	02142-05165 SCREW, air cleaner filter	4
10	09280-14003 O-RING, isc No.1	1
11	37945HR8601 INSERT, isc	1
12	37940HR8600 SOLENOID, isc	1
13	03241-05203 SCREW, isc	2
14	37930HP8800 SENSOR, iat	1
15	03241-04125 SCREW, iat	2
16	18731HR8601 HOSE, isc No.1	1
17	18741HR8601 HOSE, isc No.2	1
18	09401H10401 CLAMP, isc air cleaner hose	2
19	09401-10401 CLIP, isc hose	2
20	09440-13019 SPRING, compression	2

FIG.11

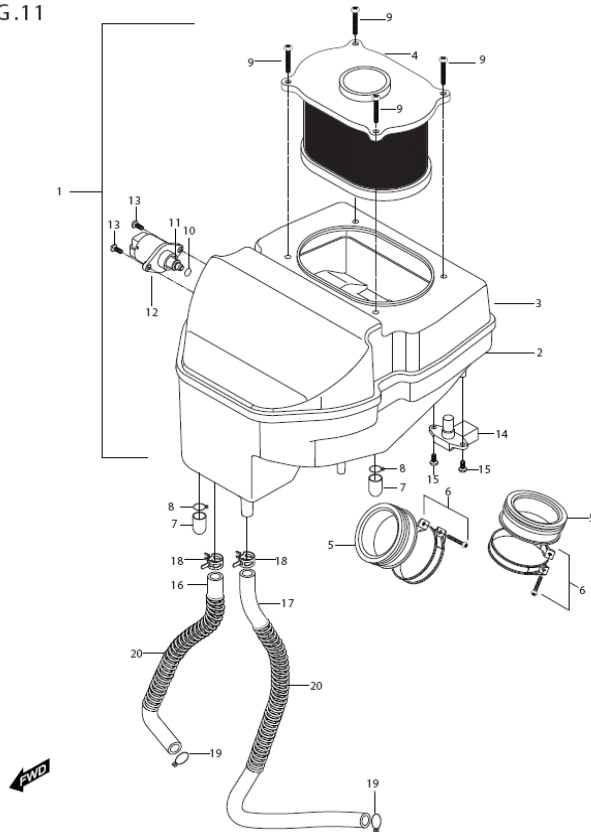


FIG 12. MUFFLER

FIG 12

REF. NO.		PARTS NAME	Q'TY
0	14305H88600PAH	MUFFLER, ASS'Y	1
1	14310H88600BF	BODY COMP, muffler front	1
2	14160HR8600PAM	PIPE COMP, exhaust rear	1
3	14150HM8105PAM	PIPE COMP, exhaust front	1
4	14411HM8100	BRACKET, muffler support	1
5	14314HM8110	GASKET, connector flange	1
6	14770HG5101PAM	CONNECTOR COMP, exhaust pipe	1
7	09160-10001	WASHER, exhaust pipe connector	1
8	14773HG5101	GASKET, connector exhaust pipe	1
9	01137-08358	BOLT, connector exhaust pipe	1
10	01421-08258	STUD BOLT, exhaust pipe	4
11	09143H08001	NUT, exhaust pipe	4
12	07110-10358	BOLT, muffler support	1
13	09160-10102	WASHER, muffler support	1
14	08316-26108	NUT, muffler support rear	1
15	09119H06002	BOLT, connector flange	4
16	01137-08168	BOLT, muffler chamber bracket	1
17	14181-46E00	GASKET, exhaust pipe	2
18	37950HP8800	SENSOR ASS'Y, oxygen	1

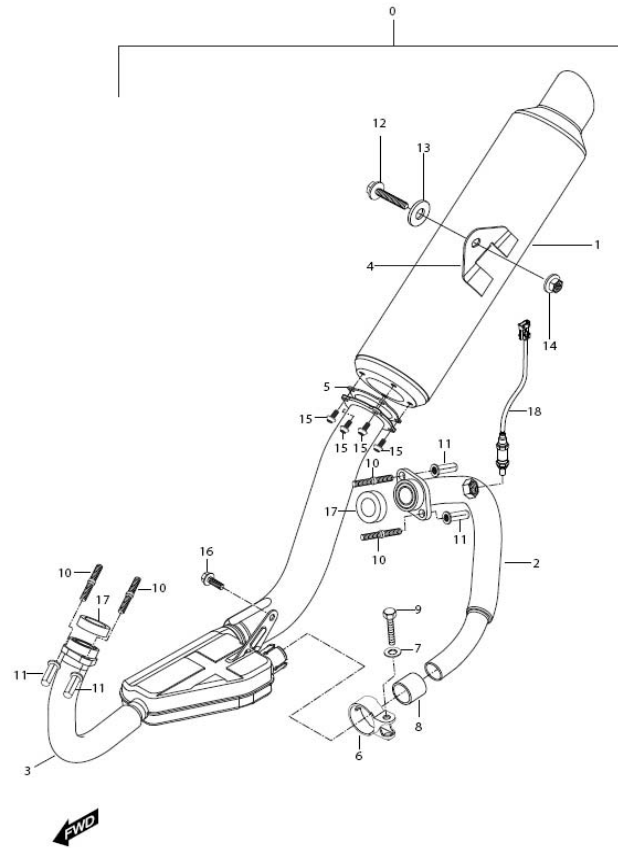


FIG 13. OIL PUMP

REF. NO.	PARTS NAME	Q'TY
----------	------------	------

1	16400HG5102	PUMP ASSY, oil	1
2	16331HG5102	GEAR, oil pump driven	1
3	09261-02001	PIN, oil pump driven gear	1
4	08332-11069	CIRCLIP, oil pump driven gear	1
5	02112-06258	SCREW, oil pump	3
6	16520-05202	STRAINER COMP, engine oil	1
7	02112-95126	SCREW, engine oil strainer	2
8	16523-05200	CAP, oil strainer	1
9	09280-60005	O-RING, strainer cap	1
10	01547-06208	BOLT, oil strainer cap	3
11	09247H14019	PLUG, oil drain	1
12	09168H14003	GASKET, drain plug	1
13	16510H05240	FILTER COMP, engine oil	1
14	09280-13004	O-RING, oil filter	1
15	16512HG510003S	CAP, oil filter	1
16	09280-54001	O-RING, oil filter cap	1
17	09440-18002	SPRING, oil filter cap	1
18	01421-06128	BOLT, oil filter cap stud	2
19	08313-11068	NUT, oil filter cap	3
20	01421-06658	BOLT, oil filter cap stud	1
21	16419HG5100	BUSH, oil pump	1
22	09206-08001	PIN, oil pump knock	1
23	08331-31109	CIRCLIP	1
24	08211-10181	WASHER	1
25	09180H10022	SPACER	1
26	16451HG5101	SHAFT, oil pump idle gear	1
27	16431HG5104	GEAR, oil pump idle	1

FIG 13

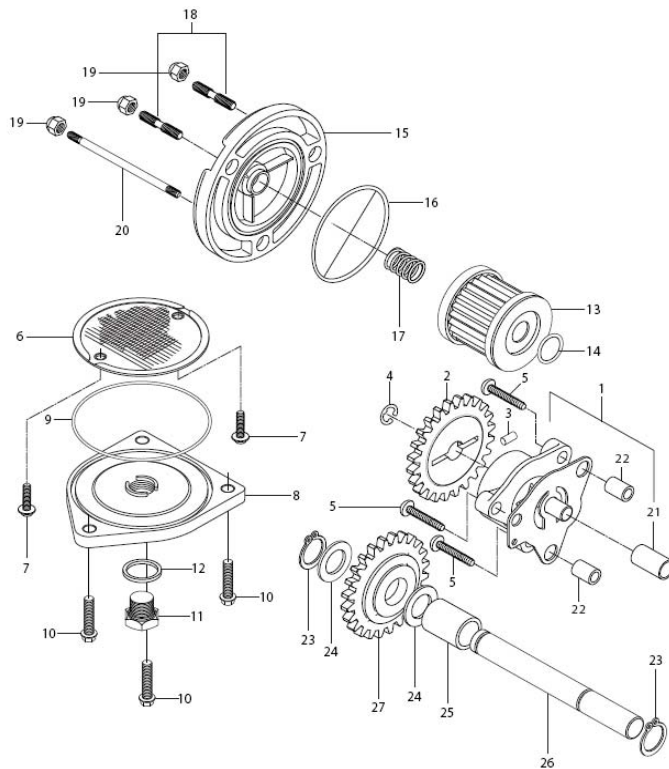


FIG 14. CLUTCH ASS'Y

REF. NO.	PARTS NAME	Q'TY	
1	21200HJ8200HPA	GEAR ASS'Y, primary driven	1
2	02142-06108	STOPPER, clutch release camshaft oil	1
3	21411HJ8202	HUB, clutch sleeve	1
4	09140-16014	NUT, clutch sleeve hub	1
5	09169H16001	WASHER, clutch sleeve hub	1
6	09167H18001	THRUST WASHER, clutch sleeve hub	1
7	21441HJ8201	PLATE, clutch drive	6
8	21451HJ8201	PLATE, clutch driven	5
9	21462HJ8201	DISK, clutch pressure	1
10	09440H16003	SPRING, clutch	5
11	09116H05001	BOLT, clutch spring	5
12-1	23110HJ8202	ROD COMP, clutch push	1
12-2	23115HN9100	ROD COMP, clutch push	1
12-3	23113HJ8200	ROD COMP, clutch push	1
13	23121-38201	PIECE, clutch push	1
14	23122HG5100	CAM SHAFT, clutch release	1
15	08211-10201	THRUST WASHER, clutch release camshaft	1
16	09160-15015	THRUST WASHER, clutch release	1
17	09263H15001	THRUST BEARING, clutch release	1
18	09282-10007	OIL SEAL, clutch release camshaft(10x20x6)	1
19	09134-06010	SCREW, clutch release adjuster	1
20	08310-22068	NUT, clutch release adjust	1
21	23271HJ8250	ARM, clutch release	1
22	01107-06168	BOLT, clutch release arm	1

FIG 14

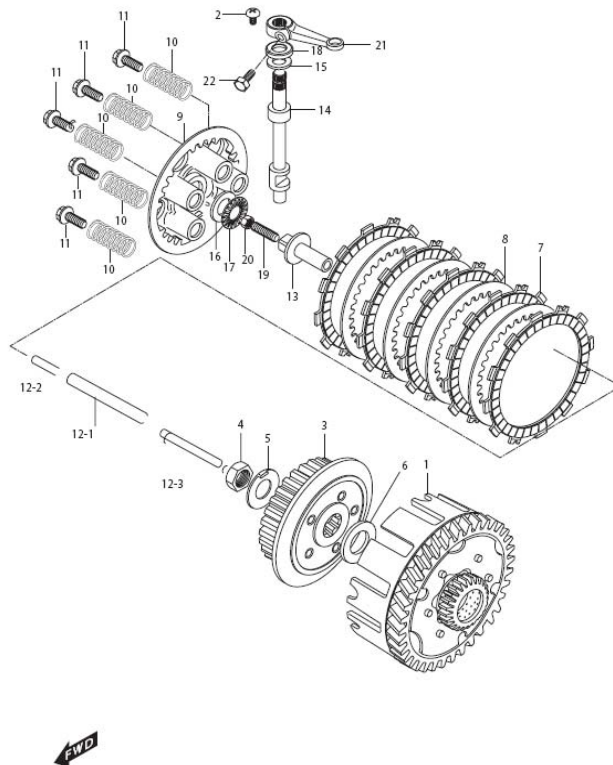


FIG 15. TRANSMISSION

FIG.15

REF. NO.	PARTS NAME	Q'TY
26	02122-06128 SCREW, drive shaft bearing retainer	1
27	09283-27010 OIL SEAL, drive shaft	1
28	24751HG5102 RETAINER, drive shaft oil seal	1
29	01107-06106 BOLT, drive shaft oil seal retainer	2
30	27510HJ8201 SPROCKET COMP, engine 14T(#520)	1
31	27531HJ8201 SPACER,engine sprocket	1
32	09280-19005 O-RING, engine sprocket	1
33	09167-20012 LOCK WASHER, engine sprocket	1
34	27600HM8100 CHAIN ASS'Y, drive(#520)	1
35	27620H93B00 JOINT, chain	1
36	24230HJ8200 GEAR COMP, 3rd drive	1
37	08211-17301 WASHER, drive shaft thrust	1
38	08211-17301 WASHER, counter shaft thrust	1
39	09380H20001 CILCLIP, 2nd driven gear	1
40	08211-22281 WASHER, 2nd driven gear	1
41	08211-22281 WASHER, 5th drive gear thrust	1

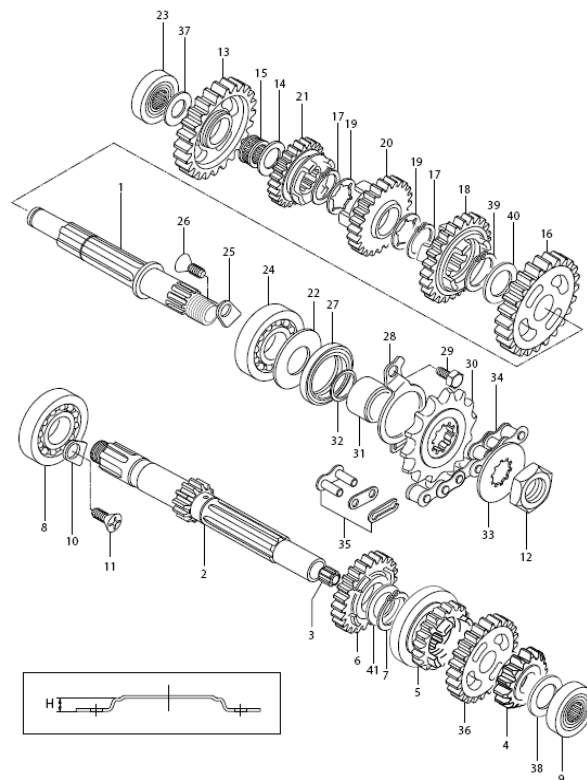


FIG 17. STARTING MOTOR

FIG.17

REF. NO.	PARTS NAME	Q'TY
----------	------------	------

1	31100HG5100	MOTOR ASSY, starting	1
2	31310-11D10	.ARMATURE ASSY, starter	1
3	31110HD6300	.YOKE ASSY, starter	1
4	31150-42A01	.HOUSING ASSY, starter	1
5	31175HG5100	.FRAME ASSY, commutator	1
6	31281-32C10	.BOLT, through	2
7	31156-38300	.O-RING	2
8	09280-24003	.O-RING	1
9	31264-35C10	.O-RING	2
10	31153-49210	.SEAL, oil	1
11	31361-32C00	.PLATE, lock	1
12	31361-38300	.WASHER, plate lock	1
13	31361-10200	.RING, shaft snap	1
14	31132-32C10	.BRUSH SUB-ASSY, starter	2
15	31131-32C20	.BRUSH, starter	2
16	31114-32C10	.SCREW	2
17	31135-32C10	.SPRING, compression coil	4
18	01547-06308	BOLT, starting motor	2

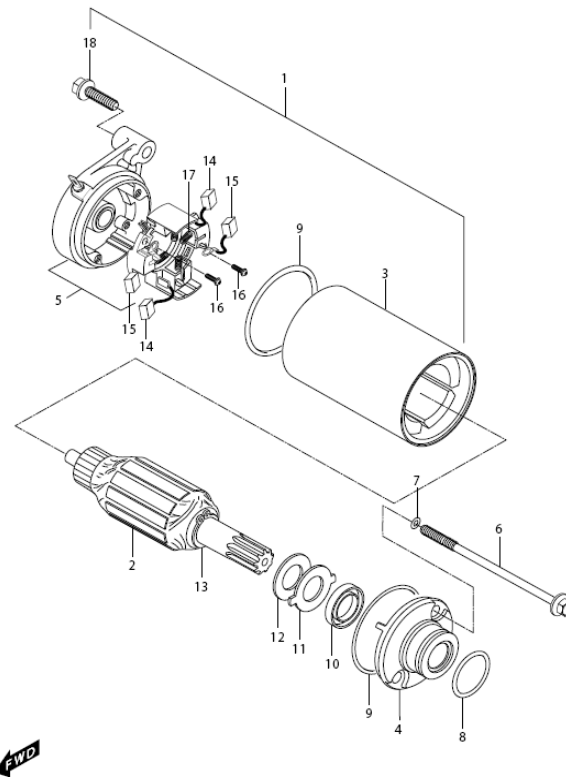


FIG 18. MAGNETO ASS'Y

REF. NO.	PARTS NAME	Q'TY
----------	------------	------

1	32100H98600	MAGNETO ASS'Y	1
2	32101HR8600	STATOR ASS'Y	1
3	32102HR8600	ROTOR, fly wheel	1
4	02112-05168	SCREW, pick-up coil(M5X16)	2
5	02112-05258	SCREW, magneto stator(M5X25)r	3
6	08316-26128	NUT, magneto fly wheel(M12)	1
7	08341-31049	KEY, magneto	1

FIG 18

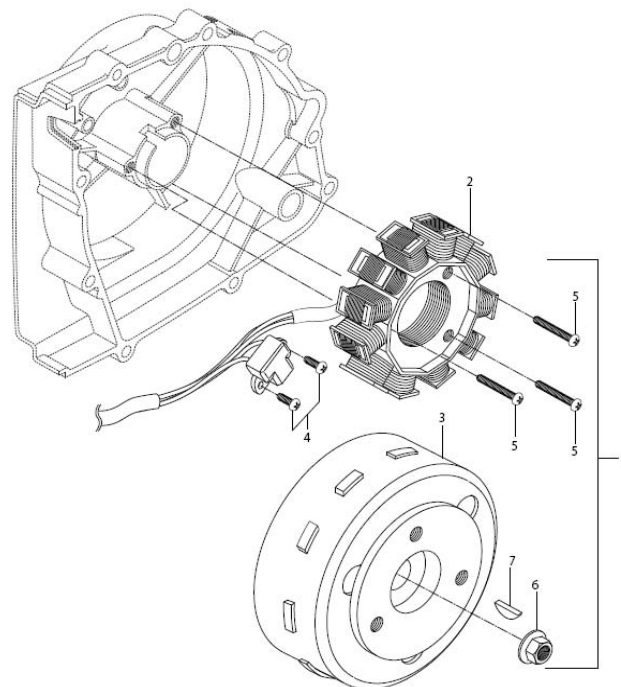


FIG 19. BATTERY

REF. NO.	PARTS NAME	Q'TY
----------	------------	------

1	33610HM8100	BATTERY ASS'Y(12V)
2	33860HM8101	LEAD WIRE, battery minus

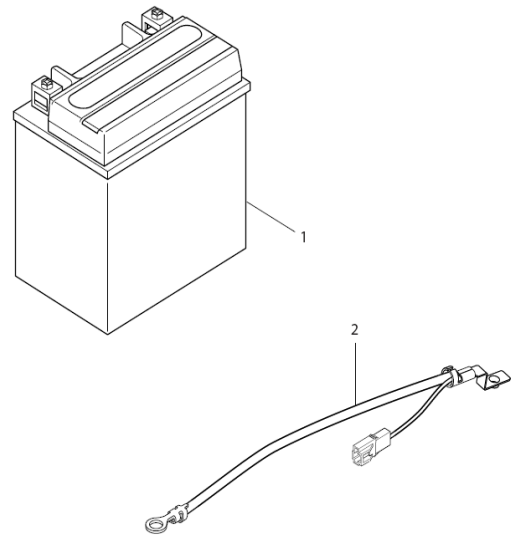


FIG 20. ELECTRICAL

REF. NO.	PARTS NAME	Q'TY
1	31800HG5100 RELAY ASS'Y, starting motor	1
2	08316-26066 NUT, starter motor relay terminal	2
3	33840HM8101 LEAD WIRE, battery plus	1
4	33850HM8100 LEAD WIRE, starter motor	1
5	32800HN9101 RECTIFIER regulator ass'y	1
6	01517-06166 BOLT, rectifier	2
7	33410HP8800 COIL ASS'Y, ignition front	2
8	09128-06035 BOLT, ignition coil	4
9	33541-23E01 SEAL, spark plug	2
10	33510-05C01 CAP, spark plug	2
	including No.9+No.11 SEAL, high tention cord	2
12	32900H88600 ENGINE CONTROL UNIT	1
13	36740HN9100 BOX ASS'Y, fuse(30A)	1
14	36740-35C00 BOX ASS'Y, fuse(15A)	1
15	38610HR9700 RELAY ASS'Y, turnsignal	1
16	38740HP7600 RELAY ASS'Y, 12V 30A	3
17	33430HN9100 COIL ASS'Y, ignition rear	1
18	38742HP7600 BRACKET, relay	1
19	01517-06166 BOLT, relay brkt	2

FIG.20

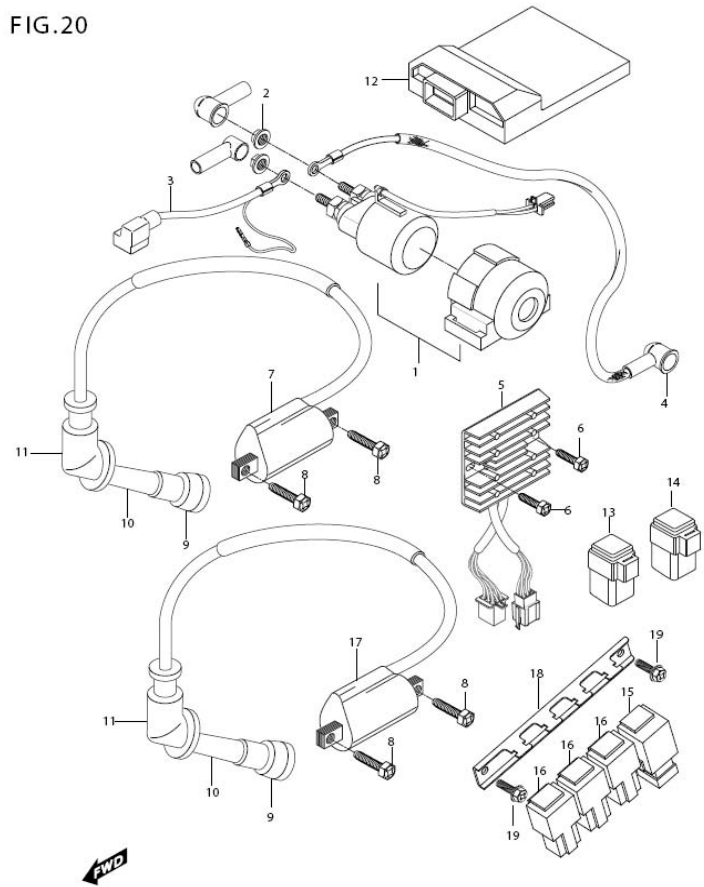


FIG 21. SPEEDOMETER ASS'Y

FIG 21

REF. NO.	PARTS NAME	Q'TY
----------	------------	------

1	34100H98600	SPEEDOMETER ASS'Y	1
2	34500HR8600	DISPLAY ASS'Y, speedometer	1
3	34600HR8600	PCB ASS'Y, speedometer	1
4	34950HP9200	BRACKET, speedometer	1
5	34170HR8600	WIRING ASS'Y, speedometer	1
6	02112-95158	SCREW, speedometer bracket	3
7	09471-12072	BULB(12V 1.7W T6.5)	2

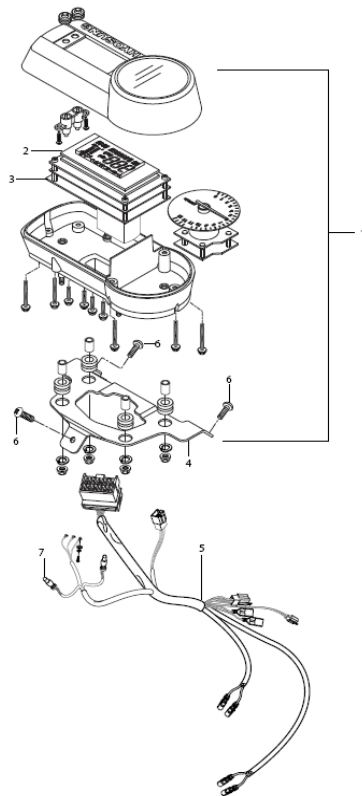


FIG 22. HEAD LAMP

FIG.22

REF. NO.	PARTS NAME	Q'TY
----------	------------	------

1	35100HR8351 HEAD LAMP ASS'Y	1
2	09471H12250 BULB, head lamp hi(12v H1:55w)	1
3	09471H12230 BULB, head lamp low(12v H3:55w)	1
4	35173HP9200 DUST COVER	2
5	09148-05039 NUT, head lamp speedometer	3
6	09320-09016 CUSHION, head lamp & brace comp	4
7	09180-06011 SPACER, head lamp & brace comp	4
8	09136-06113 BOLT, head lamp & brace comp	4

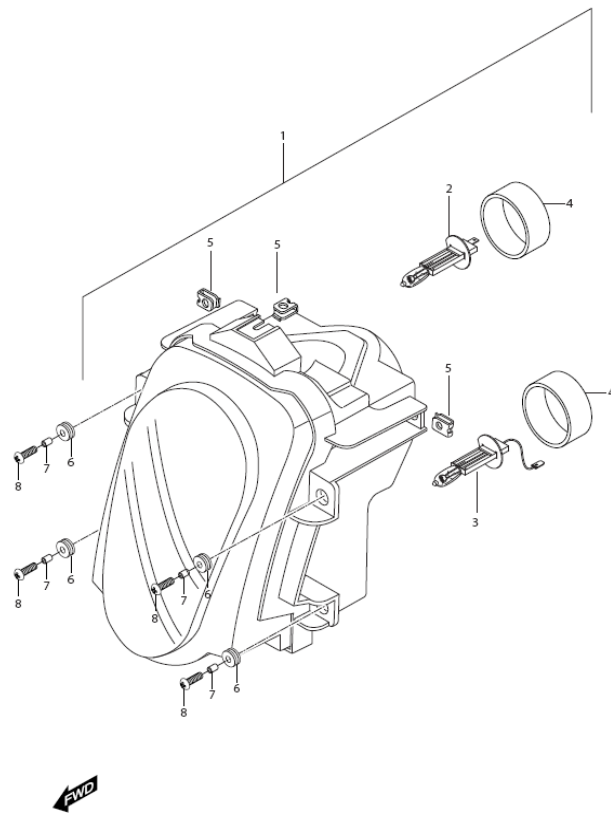


FIG 23. FRONT TURN SIGNAL LAMP

REF. NO.	PARTS NAME	Q'TY
----------	------------	------

1	35601HR7900	LAMP ASS'Y, FT turnsignal R	1
2	35602HR7900	LAMP ASS'Y, FT turnsignal L	1
3	09471H12112	BULB, FT turnsignal lamp(12V, RYIOW)	2
4	09160-06019	WASHER, FT turnsignal lamp	4
5	08316-26066	NUT, FT turnsignal lamp	4
6	35603HR8600	LAMP ASS'Y, RR turnsignal R	1
7	35604HR8600	LAMP ASS'Y, RR turnsignal L	1
8	09471H12112	BULB, RR turnsignal lamp(12V, RYIOW)	2
10	35612HR9700	Lense Ft/Right Rr/Left	1
11	35632HR9700	Lense Ft/Left Rr/Right	1

FIG.23

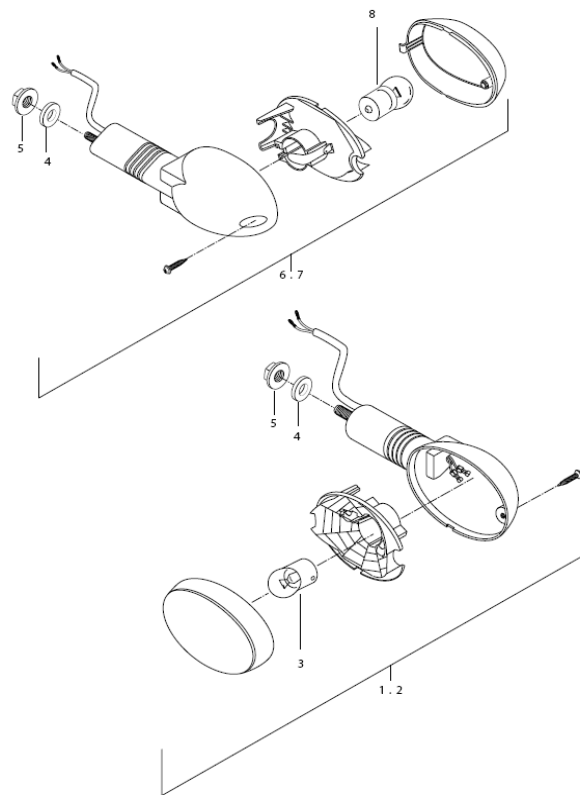


FIG 24. WIRING HARNESS

FIG.24

REF. NO.	PARTS NAME	Q'TY
----------	------------	------

1	36610H98652	HARNESS, wiring(GT250R FI)	1
2	38500HM8100	HORN ASS'Y	1
3	37000HP9200	LOCK ASSY, steering	1
4	01517-06168	BOLT, steering lock	2
5	37740HN9100	SWITCH ASS'Y, brake lamp	1
6	09407-14403	CLAMP, wiring harness	8
7	02112-36128	SCREW, horn	1
8	09407-22402	CLAMP, wiring harness	2
9	09443-06012	SPRING	1
10	09407-14408	CLAMP, wiring harness	5
11	38520HR8300	BRACKET, horn(GT250R)	1

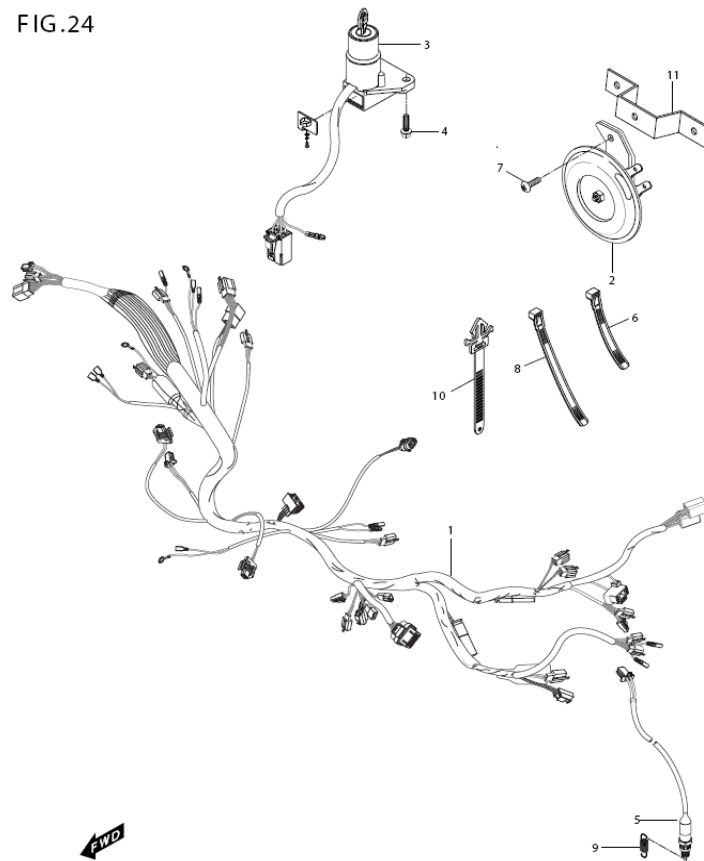


FIG 25. REAR COMBINATION

REF. NO.	PARTS NAME	Q`TY
----------	------------	------

1	35710H99700	LAMP ASS`Y, tail & stop	1
2	09471-12047	BULB, tail & stop(12V 21/5W)	1
3	03241-05166	SCREW, tail & stop	3
4	09160-05017	WASHER, tail & stop	3
5	09404-06401	CLAMP, tail & stop	2

FIG.25

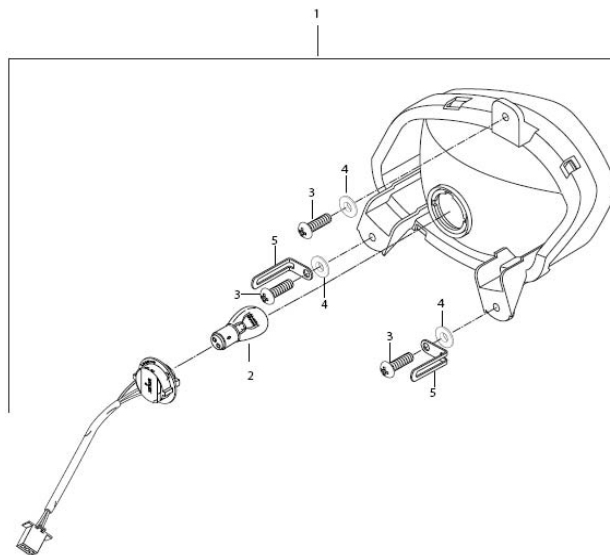


FIG 26. FRAME

FIG 26

REF. NO.	PARTS NAME	Q`TY
----------	------------	------

1	41100H98600PAM	FRAME COMP(GT250R)	1
2	41150HR8600PAM	TUBE COMP, frame down L(GT250R)	1
3	07110-08258	BOLT, frame joint	4
4	08316-16088	NUT, frame joint	4
5	41161HM8100	SPACER, frame & engine front L=59	2
6	09103H10099	BOLT, frame & engine front L=228	1
7	08319-31106	NUT, frame & engine front L=228	1
8	09103H10022	BOLT, frame & engine rear lower L=110	1
9	08319-31106	NUT, frame & engine rear	1
10	09103H10153	BOLT, frame & engine rear upper L=136	1
11	41171HM8100	SPACER, frame & engine rear upper L=26	1

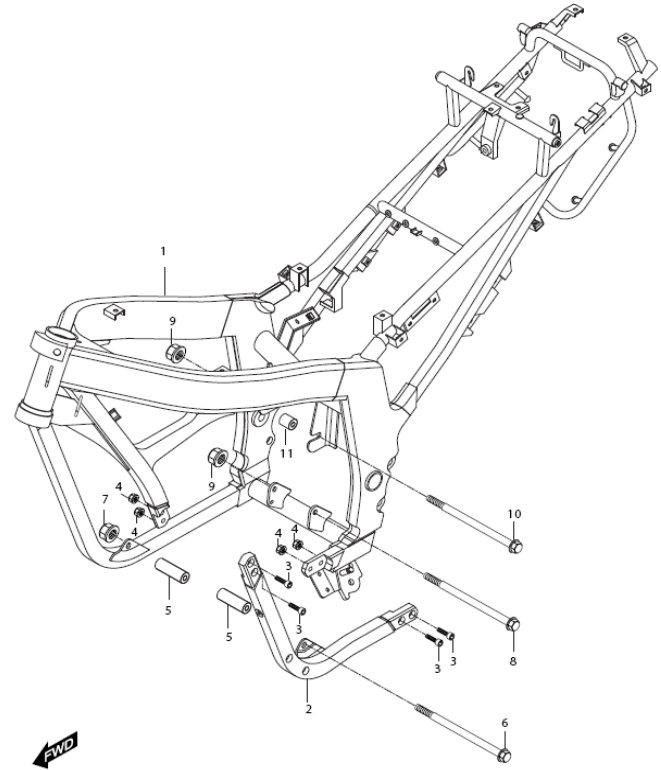


FIG 27. PROP STAND

FIG.27

REF. NO.	PARTS NAME	Q`TY
----------	------------	------

1	42310HN9150120	STAND COMP, prop	1
2	09111H10048	BOLT, prop stand	1
3	08319-21108	NUT, prop stand	1
4	08319-21108	SPRING, prop stand	1
5	09443-06001	SPRING, prop stand inner	1
6	08221-12225	SHIM, prop stand	1

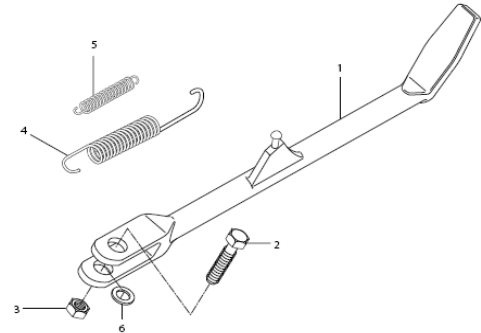


FIG 28. REAR BRAKE

FIG.28

REF. NO.	PARTS NAME	Q'TY
----------	------------	------

1	43110HM810003P	PEDAL COMP, brake	1
2	43530H9970003P	BRACKET COMP, front footrest R	1
3	09448HM30002	SPRING, brake pedal return	1
4	43560HM8100	FOOTREST ASS'Y, front R	1
5	43561HM8100	FOOTREST, bar front R	1
6	43530H30A40	RUBBER COMP, front footrest R	1
7	02112-05126	SCREW, front footrest	2
8	69600HM8100	CYLINDER ASS'Y rear master	1
9	69740HM8100	TANK ASS'Y reser vior	1
10	64700HM8101	HOSE ASS'Y reser vior	1
11	09400H13001	CLMAP, reserver tank hose	1
12	01514-06168	BOLT, reser vior tank	1
13	09160-06019	WASHER, reser vior tank	1
14	43533H30A40	BOLT, front footrest bar	1
15	09180H08008	SPACER, front footrest	1
16	43579HM8101	PIN, front footrest	1
17	09448H14007	SPRING, front footrest	1
18	08322-11079	E-RING, front footrest	1
19	07120-08258	BOLT, front footrest bracket	2
20	07120-08258	BOLT, master cylinder	2
21	08332-21068	WASHER, rear master cylinder	1
22	04111-20208	COTTER PIN, rear master cylinder	1
23	09160H15002	WASHER, brake pedal	1
24	08331-31159	CIRCLIP, brake pedal	1
25	09200H06040	PIN, rear master cylinder	1

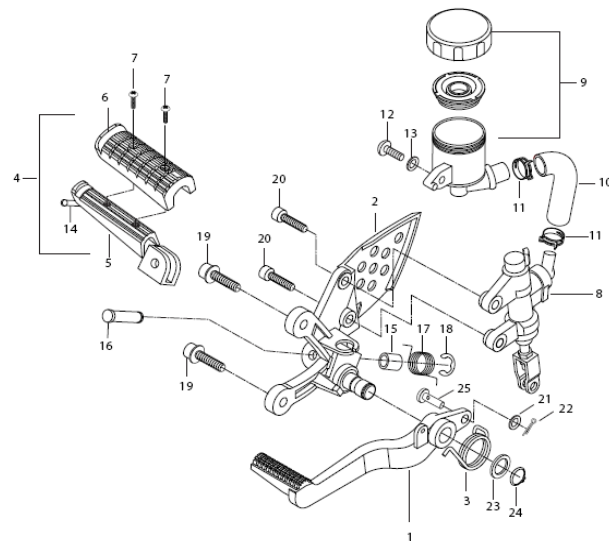


FIG 29. FOOTREST

FIG.29

REF. NO.	PARTS NAME	Q`TY	
1	43570HM8100	FOOTREST ASSY, front L	1
2	43571HM8100	FOOTREST BAR, front L	1
3	02112-05126	SCREW, front footrest	2
4	43533H30A40	BOLT, front footrest bar	1
5	09180H08008	SPACER, front footrest	1
6	43579HM8101	PIN, front footrest bar	1
7	09448H14007	SPRING, front footrest	1
8	08322-11079	E-RING, front footrest	1
9	43540HH9970003P	BRACKET COMP, front footrest L	1
10	07120-08258	BOLT, front footrest bracket	2
11	43532H30A40	RUBBER, front footrest	1
12	43621HM810403P	BRACKET, pillion footrest R	1
13	43661HM8101	FOOTREST BAR, pillion R	1
14	43721HM810403P	BRACKET, pillion footrest L	1
15	43671HM8101	FOOTREST BAR, pillion L	1
16	07110-08258	BOLT, pillion footrest bracket	4
17	43679HM8101	PIN, pillion footrest	2
18	09448H08008	SPRING, pillion footrest	2
19	08322-11048	E-RING, pillion footrest	2
20	43631HM8101	PLATE, pillion stopper No.1	2
21	43641HM8101	PLATE, pillion stopper No.2	2
22	09320-14015	CUSHION, muffler support	1
23	09180-10044	SPACER, muffler support	1
24	25600HR830003P	LEVER COMP, gear shift cam	1
25	08331-31159	CIRCLIP, gear shift lever	1
26	09160H15002	WASHER, gear shift lever	1

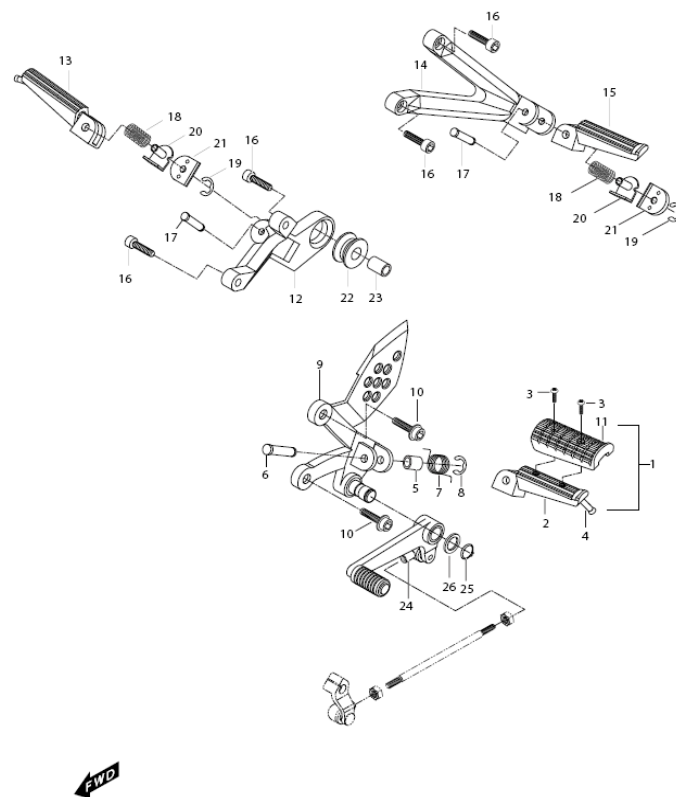


FIG 30. FUEL TANK

FIG.30

REF. NO.	PARTS NAME	QTY
----------	------------	-----

1	44110HP9300	TANK COMP, fuel(CBK,CDR,CDS,CWP)
2	44520HM8100	BRKT COMP, fuel tank front
3	09329-10007	CUSHION, fuel tank front
4	01517-06166	BOLT, fuel tank front brkt
5	09329H28001	CUSHION, fuel tank side
6	44530H99700	BRKT COMP, fuel tank RR
7	01517-06206	BOLT, fuel tank RR brkt
8	44613HE7100	CUSHION, fuel tank RR brkt & battery
9	44218HF4500	CUSHION, fuel tank RR brkt & battery
10	09116H08078	BOLT, fuel tank RR
11	09320H14013	CUSHION, fuel tank RR up
12	09180H08007	SPACER, fuel tank RR cushion
13	09320-14013	CUSHION, fuel tank RR lower
14	44200H35C30	CAP ASSY, fuel tank filler
15	09106-05017	BOLT, fuel tank filler
16	15100HR8610	PUMP ASS'Y, fuel module
17	09125H04016	SCREW, fuel pump module
18	15115HP9300	PLATE, fuel pump module
19	34810HP9300	GAUGE ASS'Y, fuel sender
20	09128-06035	BOLT, fuel sender
21	15911HP9300	JOINT, fuel hose
22	09169H06078	WASHER, fuel hose joint
23	01517-06125	BOLT, joint
24	15810HR8601	HOSE COMP, fuel injector
25	15813HP9300	HOSE, regulator & joint
26	15812HP9300	HOSE, fuel pump & joint
27	44410HP9300	BRKT COMP, joint lower
28	01517-06125	BOLT, joint lower brkt
29	68319H05350PL	LABEL, caution for 7EU01
	68319H05370PL	LABEL, caution for 7GO01
	68319H05380PL	LABEL, caution for 7SO01
	68319H05390PL	LABEL, caution for 7FO01

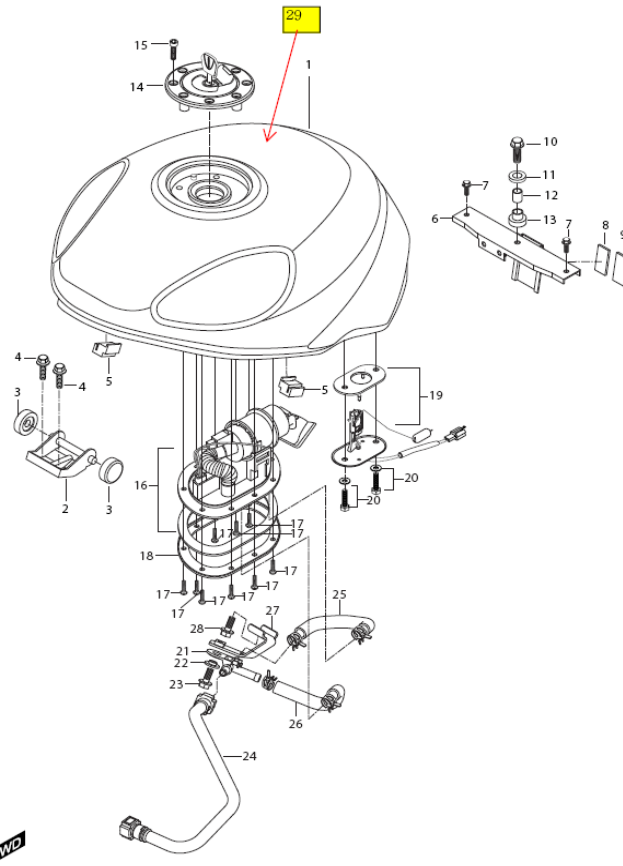


FIG 31. SEAT

FIG.31

REF. NO.	PARTS NAME	Q'TY
----------	------------	------

1	45110HN99700	SEAT SET, front	1
2	45120HM8101	KNOB COMP, seat front	1
3	09440-11016	SPRING, seat front knob	1
4	08322-11088	WASHER, seat front knob	1
5	04111-20208	PIN, seat front knob	1
6	45200H99700	SEAT SET, rear	1
7	01517-06166	BOLT, rear seat	1
8	09160-06057	WASHER, rear seat	1
9	47511H99700	RIDER, pillion R	1
9.1	47521H99700	RIDER, pillion L	1

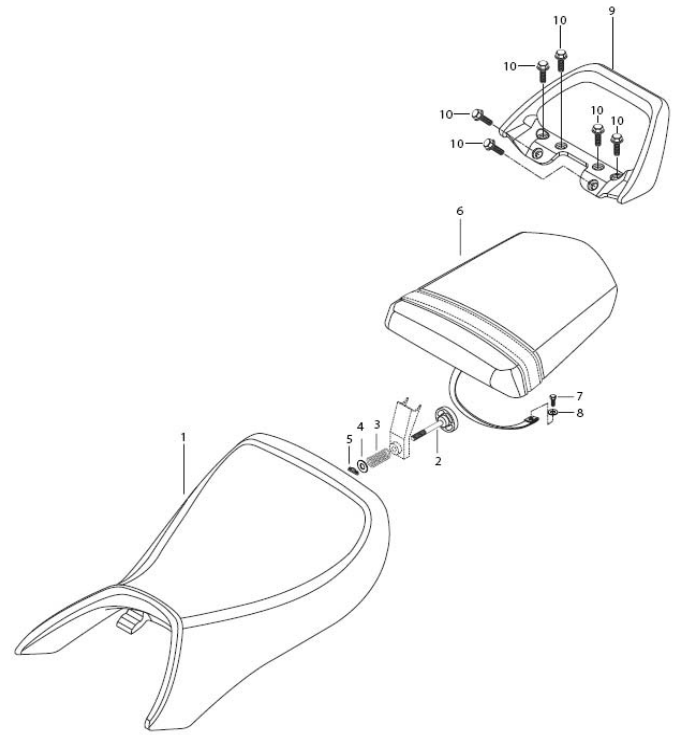


FIG 32. REAR FENDER

FIG.32

REF. NO.	PARTS NAME	Q'TY
----------	------------	------

1	63112H9970012A	FENDER, rear front	1
2	63114H9970012A	FENDER, rear lower	1
3	09280-63003	BAND, tool	1
4	09111H06066	BOLT, rr fender ft up	2
5	09148-05039	NUT, rr fender ft	2
6	01517-06166	BOLT, rr fender ft & frame side tube	2
7	09169-06032	WASHER, rr fender ft & frame side tube	2
8	02142-06166	SCREW, rr fender lower	2
9	09169-06032	WASHER, rr fender lower	2
10	41589HG5900	CUSHION, rr fender ft & battery	1
11	63120H99700	TUBE COMP, RR fender FT & frm side	1
12	01517-08168	BOLT, frm side tube	2
13	63161HP9300	CUSHION, ecu lower	1
14	63162HP9300	CUSHION, ecu rear	1
15	41589HR9700	CUSHION, RR fender FT& battery No.2	1

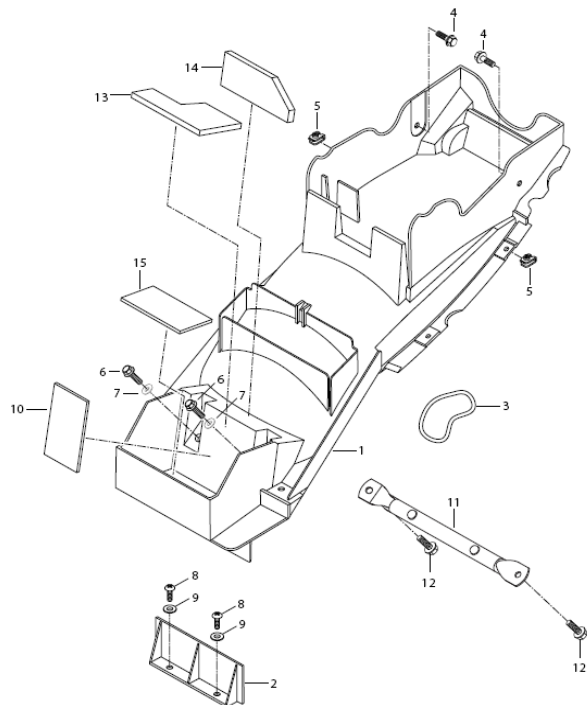


FIG 33. SIDE COVER

FIG.33

REF. NO.	PARTS NAME	Q'TY
----------	------------	------

1	47111H99700	COVER, side R CBK.CDR	1
2	47211H99700	COVER, side L CBK.CDR	1
3	47113HM8101	BOLT, luggage support	2
4	08322-11088	WASHER, luggage bolt & frm side	2
5	02142-06166	SCREW, frm side front	2
6	09169-06032	WASHER, frm side front	2
7	02142-06166	SCREW, frm side center	1
8	09148-05004	NUT, frm side rear up	3
9	03241-05125	SCREW, frm side rear up	3
10	02142-06206	SCREW, frm side low & frm	2
11	02142-05166	SCREW, frm side low & rear fender	6
12	45220HM8101	LOCK ASS'Y, seat striker rear	1
13	01517-06128	BOLT, seat striker (M6X16)	2
14	45280H-35C00	CABLE ASS'Y, seat lock	1
15	92414HF4500	LOCK, key set	1
16	45700HG2630	LOCK ASS'Y, seat	1
17	45381HG2601	GUIDE, seat lock cable	1
18	92413HF4501	WASHER, side cover	

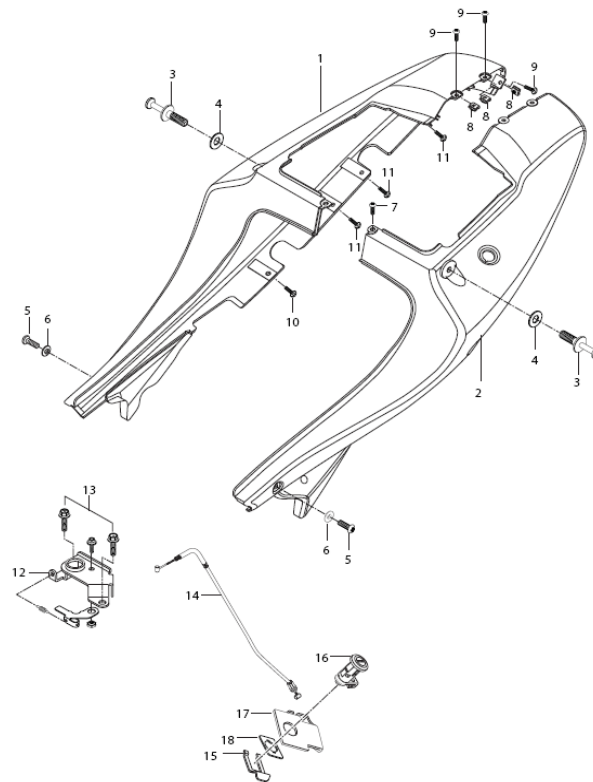


FIG 34. FRONT FORK

REF. NO.	PARTS NAME	Q'TY	
1	51100HR8350120	FORK ASS'Y, front	1
3	51410HP9204HPA	BRACKET COMP, front fork under	1
4	07110-08258	BOLT, front fork under bracket	4
5	09265H25001	BEARING, steering lower	1
6	09265H28001	BEARING, steering upper	1
7	51643HG5801	DUST SEAL, steering upper	1
8	51631HN9101	NUT, steering stem	1
9	51210HR8350120	DAMPER ASSY, front fork R	1
10	51220HR8350120	DAMPER ASSY, front fork L	1
11	09106H08458	BOLT, axle grip	4
12	07110-08256	BOLT, fork clip	2
13	90544H93B00	WASHER, spacer	2
14	59266HM8100	CLAMP, brake hose & clamp	1
15	02112-06168	SCREW, ft brake hose & speedometer	1

FIG.34

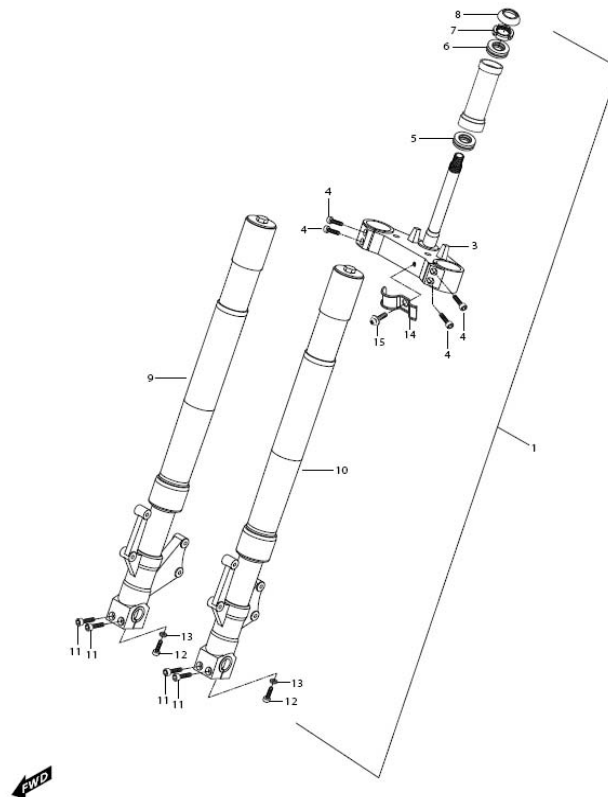


FIG 35. STEERING HEAD

FIG 35-1 (GT250R)

REF. NO.	PARTS NAME	Q'TY
----------	------------	------

1	51311H99700AZ1	BRACKET, front fork upper	1
2	07110-08258	BOLT, front fork upper bracket	2
3	09159H22091	NUT, steering upper	1
4	09160H22032	WASHER, str upper	1

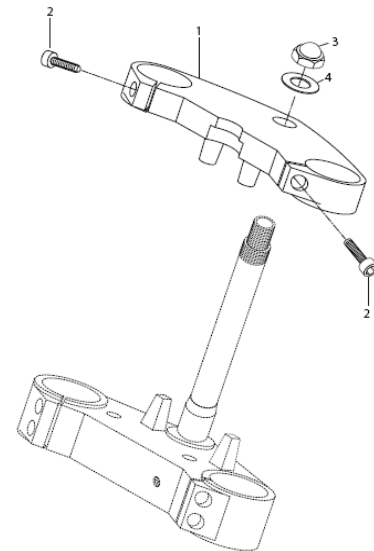


FIG 36. FRONT FENDER

REF. NO.	PARTS NAME	Q'TY
----------	------------	------

1	53111HM8101CBK	FENDER, front	1
2	59430HN9100	CLAMP COMP, front brake hose R	1
3	59440HN9100	CLAMP COMP, front brake hose L	1
4	01517-08126	BOLT, front brake hose clamp R/L	1
5	09404-08403	CLAMP, speed sensor	1
6	09169H06078	WASHER, front fender	4
7	09106H06150	Bolt,front fender	4

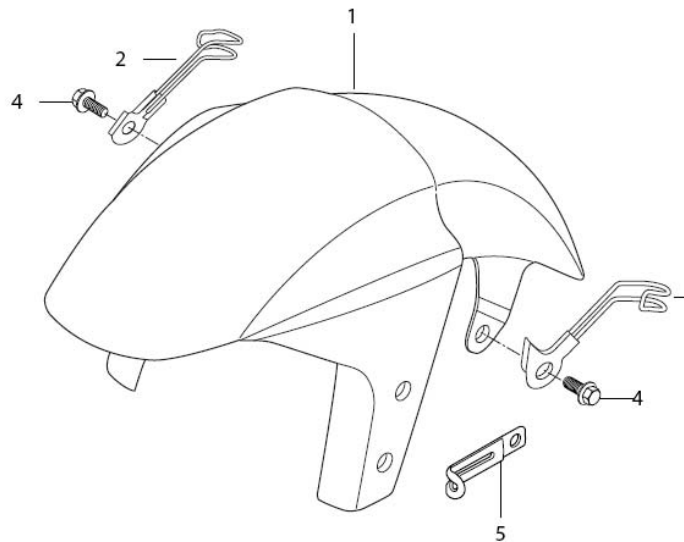
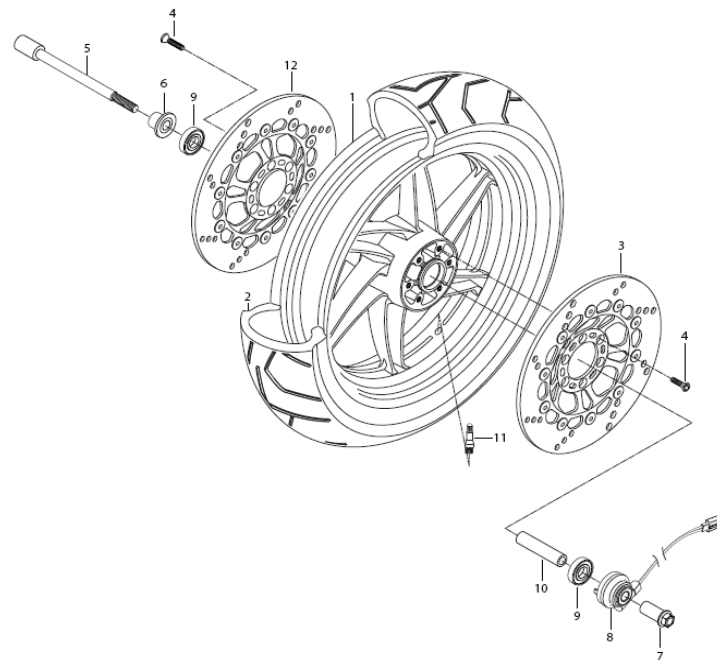


FIG 37. FRONT WHEEL

FIG 37-

REF. NO.	PARTS NAME	Q'TY
----------	------------	------

1	54140SM8102120	WHEEL, front (J17xMT3.0)	1
2	55101HR8300	TIRE COMP, front (120/60-17 55W)	1
3	59211HM8100	DISC COMP, front L	1
4	59421-03A01	BOLT, front brake disc	12
5	54711HG5101	AXLE, front	1
6	54740HM8101	SPACER COMP, front axle R	1
7	54721HM8100	NUT, front axle	1
8	34860HP9201	SENSOR ASS'Y, speedometer	1
9	08124-63027	BEARING, front hub	2
10	54731HM8100	SPACER, front hub	1
11	55220-41D10	VALVE ASS'Y, wheel rim	1
12	59220HM8160	DISC COMP, F/T R	1



FWD

FIG 38. HANDLE BAR

REF. NO.	PARTS NAME	Q'TY
1	56110HP9203 HANDLE BAR COMP. R	1
2	56120HP9204 HANDLE BAR COMP. L	1
3	58300HR8600 CABLE ASS'Y, throttle	1
4	58200HR8300 CABLE ASS'Y CLUTCH	1
5	09200-06004 PIN, clutch cable	1
6	04111-20158 COTTER PIN, clutch	1
7	56500HP9200 MIRROR ASS'Y, rear view R	1
8	07110-06205 BOLT, mirror assy	4
9	56503HP9200 CUSHION, rear view mirror	2
10	56600HP9200 MIRROR ASS'Y, rear view L	1

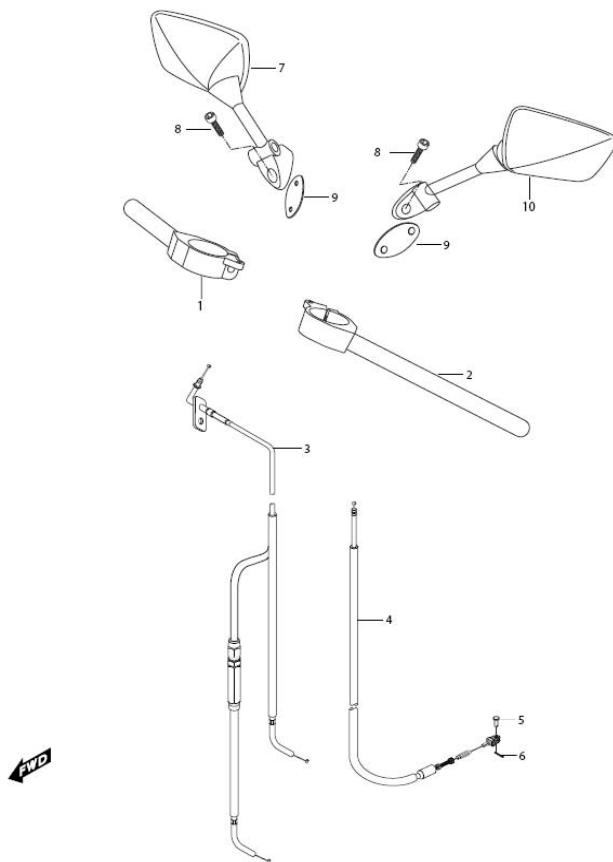


FIG 39. HANDLE SWITCH

FIG.39-

REF. NO.	PARTS NAME	Q'TY
----------	------------	------

1	37200HR8350	SWITCH ASSY, handle R	1
2	57110HP9300	GRIP COMP, throttle	1
3	57113H93B00	COVER, throttle grip	1
4	56271HF4501PLA	BALANCER	2
5	07110-08208	BOLT, handle balancer	2
6	37400HR9700	SWITCH ASSY, handle L	1
7	57211HG5800	GRIP COMP, L	1
8	09407-14403	CLAMP, handle switch harness	2
9	57460HJ8250	SWITCH ASSY, clutch lever	1
10		LEVER, brake	1
10-1	57300HN9102	LEVER ASS'y, brake	1
11	57431H05D00	BOLT, brake lever pivot	1
12	08319-21065	NUT, brake lever pivot	1
13	57500HN9102	LEVER ASSY, clutch	1
14	57620HN9101	CLUTCH LEVER	1
15	57511HN9101	HOLDER, clutch lever	1
16	57431H93B00	BOLT, clutch lever pivot	1
17	08319-21065	NUT, brake lever pivot	1
18	57451HG5800	BOLT, clutch lever holder	1
19	57442H93B00	LOCK NUT	1
20	57441H93B00	ADJUSTER, wire	1
21	57661HJ8200	COVER, clutch lever	1

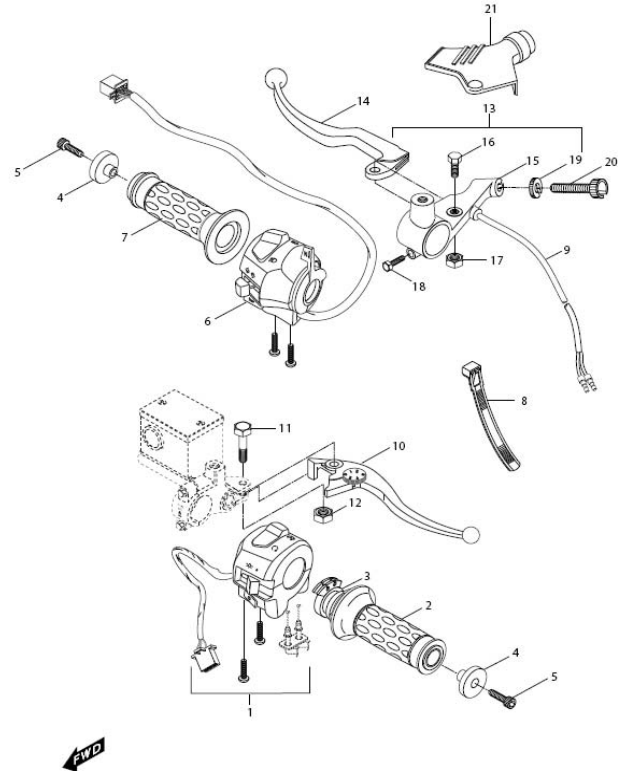


FIG 40. CALIPER LH

REF. NO.	PARTS NAME	Q`TY
----------	------------	------

0	59300HP9500	CALIPER ASS`Y, L	1
1	07120-08308	BOLT, caliper	2
2	59301HP9500	PAD SET	1

FIG.40

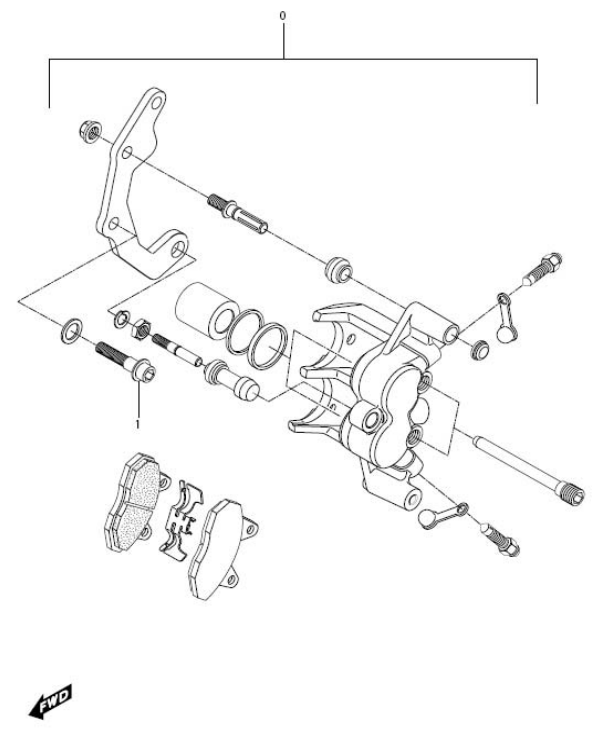


FIG 40-1. CALIPER RH

REF. NO.	PARTS NAME		Q'TY
----------	------------	--	------

0	59400HN9100	CALIPER ASS'Y, R	1
1	59301HP9500	PAD SET	1

FIG.40-1

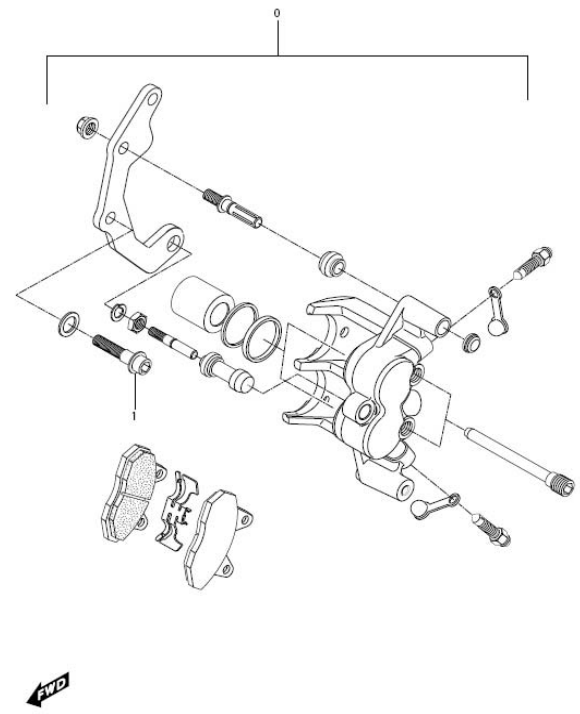


FIG 41. MASTER CYLINDER

FIG.41

REF. NO.	PARTS NAME	Q'TY
0	59600HP9201 CYLINDER ASSY, front master	1
1	59687HM8162 BODY	1
2	59669SN9110 CAP SET, Master Cylinder	1
2-A	59669HN9100 CAP, Master Cylinder	1
2-B	59511HP9200 PLATE, reservoir cap	1
3	59610HN9100 PISTON, SET	1
4	59691-35C00 SCREW	2
5	59671-35C00 HOLDER	1
6	01107-35C00 BOLT, holder	2
7	59667HP9200 DIAPHRAGM	1

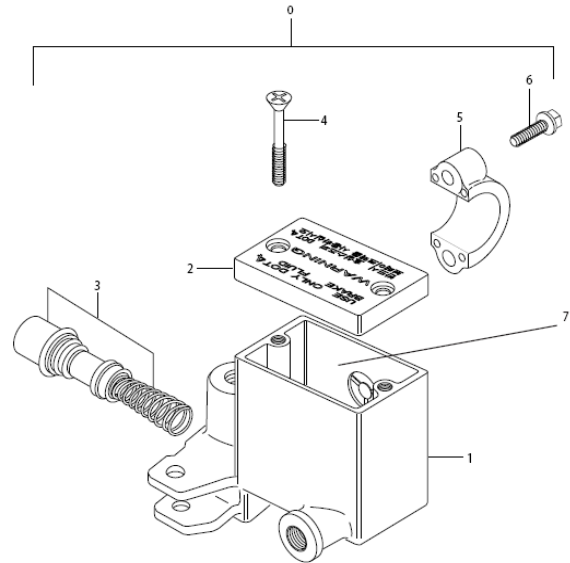


FIG 42. FRONT BRAKE HOSE

FIG.42-1(GT-250R)

REF. NO.	PARTS NAME	Q'TY
----------	------------	------

1	59480HP9400	HOSE COMP, front brake	1
2	09360-10039	BOLT, brake hose	5
3	09161-10005	WASHER, brake hose	10
4	59711H49002	BOOT, brake hose	1
5	01547-06303	BOLT, front brake hose	1
6	69480HM8104	HOSE COMP, rear brake	1
7	09407-20406	CLAMP, speed sensor	3

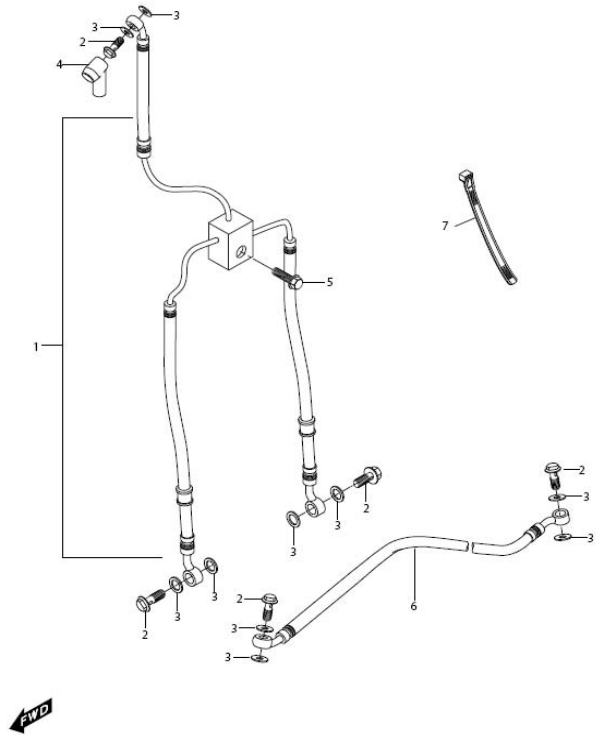


FIG 43. SWINGING ARM

FIG.43

REF. NO.	PARTS NAME	Q'TY
----------	------------	------

1	61100SM8105120	SWINGARM COMP, rear	1
2	61273HM8101	BUFFER, chain touch defense	1
3	02142-06166	BOLT, chain touch defense buffer	2
4	09169H06011	WASHER, chain touch defense buffer	2
5	61211HM8100	SHAFT, rear swingarm pivot	1
6	09263-22017	BEARING, rear swingarm pivot	2
7	61251HM8100	SPACER, rear swingarm pivot bearing	2
8	08211-14321	WASHER, rear cushion rod	2
9	08319-31128	NUT, rear swingarm pivot	1
10	09283-20031	SEAL, rear cushion rod	2
11	09263H20003	BEARING, rear cushion rod	2
12	09180H14001	SPACER, rear cushion rod	1
13	08211-14321	WASHER, rear cushion rod	2
14	09159H14008	NUT, rear cushion rod	2
15	09103H14001	BOLT, rear cushion rod	2
16	62641HM8100	ROD, rear cushion lever	2
17	09180H10073	SPACER, rear cushion lever rear	1
18	09263H17002	BEARING, rear cushion lever rear	1
19	61410HJ8200	ADJUSTER COMP, chain	2
20	61421-01000	PLATE, chain adjuster guide	2
21	64712HJ8200	WASHER, chain adjuster	2
22	08316-26108	NUT, chain adjuster	2
23	62611HG5800	LEVER, rear cushion	1
24	09284H33003	DUST SEAL, rear cushion lever front	2

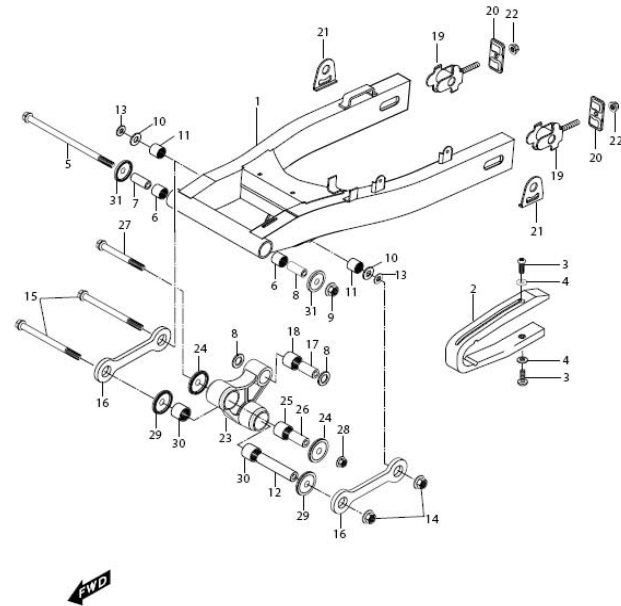


FIG 43. SWINGING ARM

FIG.43

REF. NO.	PARTS NAME	Q'TY
----------	------------	------

25	09263-20073	BEARING, rear cushion lever front	1
26	09180H12001	SPACER, rear cushion lever front	2
27	09103H12046	BOLT, rear cushion lever front	1
28	08319-31128	NUT, rear cushion lever front	1
29	09284H32001	SEAL, rear cushion lever center	2
30	09263H20003	BEARING, rear cushion lever center	2
31	61262-45002	COVER, rear swingarm pivot	2
32	62611HG5800HPA	LEVER ASS'Y, rear cushion	1
	68320HM8150PL	LABEL,chain case for 7EU01	1
	68320HM8160PL	LABEL,chain case for 7GO01	
	68320HM8180PL	LABEL,chain case for 7SO01	
	68320HM8190PL	LABEL,chain case for 7FO01	

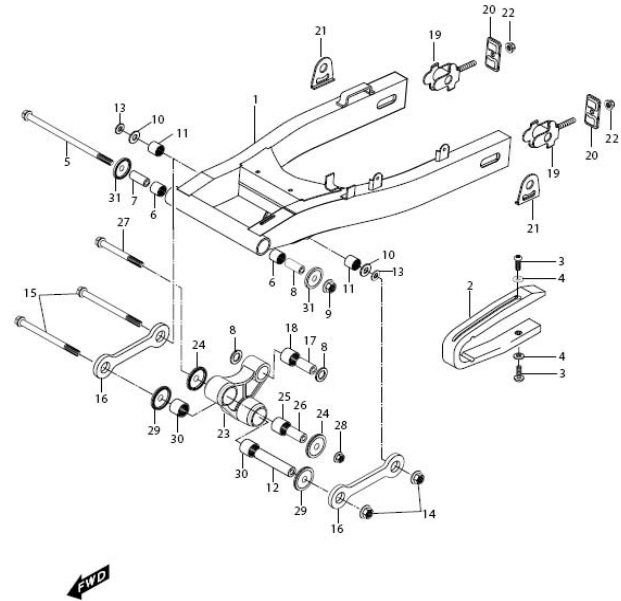


FIG 44. REAR SHOCKABSORBER

REF. NO.	PARTS NAME	Q`TY
----------	------------	------

1	62100HR8301	SHOCK ABSORBER ASS`Y rear	1
2	09103H10101	BOLT, rear shock absorber upper	1
3	08319-31108	NUT, rear shock absorber upper	2
4	09103H10101	BOLT, rear shock absorber lower	1
5	61310HM8102	CASE COMP, chain	1
6	09111H06066	BOLT, chain case	2
7	09160-10001	WASHER, rear shock absorber lower	1

FIG.44

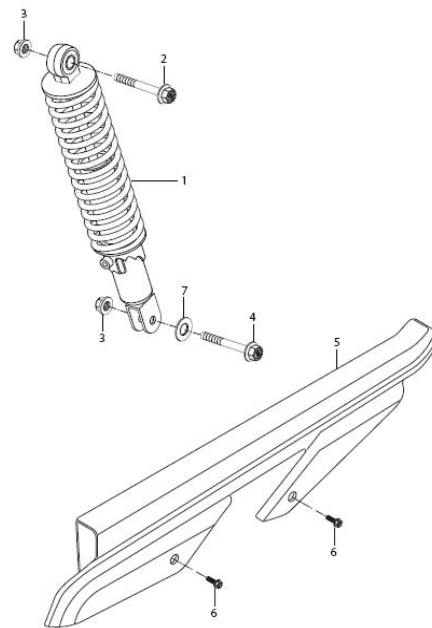


FIG 45. REAR FENDER

REF. NO.	PARTS NAME	Q'TY
----------	------------	------

1	63111H9970012A	FENDER, rear	1
2	02142-06166	SCREW, rr fender	4
3	09169-06032	WASHER, rr fender	4
4	09148-05039	NUT, rr fender	4
5	09321-06023	CUSHION, license plate	2
6	35910HP7600	LAMP ASSY, license plate	1
7	08316-26055	NUT, license lamp(M5)	2
8	35915HL7300	COVER, license lamp	1
9	08316-26055	NUT, rear reflex reflector	1
10	35970-17303	REFLEX REFLECTOR ASS'Y, rear	1
11	01107-05605	BOLT, license lamp	2
12	35911HG5800	LENS, license	1
13	35912HG5800	HOUSING, license	1
14	35916HG5800	CORD ASS'Y	1
15	09471-12150	BULB, license lamp(12V/5W)	1

FIG.45

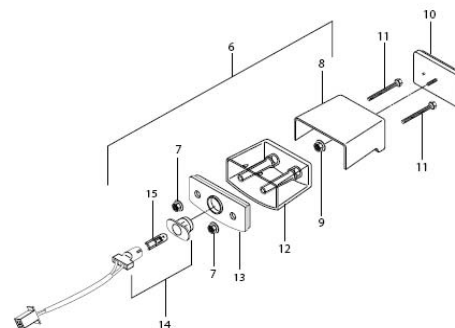
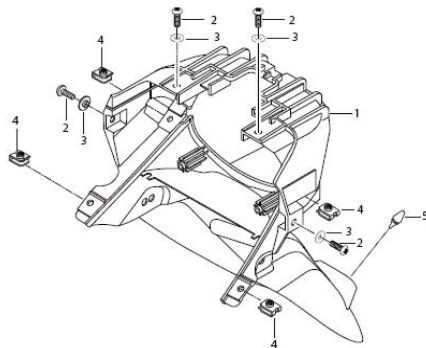


FIG 46. REAR WHEEL

FIG.46

REF. NO.	PARTS NAME	Q'TY
----------	------------	------

0	64150SM8103120	WHEEL + TIRE REAR ASS'Y	
1	64150HM8103120	WHEEL COMP, rear (J17xMT4.00)	1
2	65101HR8300	TIRE COMP, rear(150/70-17 69J)	1
3	55220-41D10	VALVE ASSY, wheel rim	1
4	64711HM8102	AXLE, rear	1
5	09159H16002	NUT, rear axle	1
6	64741HM8100	SPACER, rear axle R	1
7	64751HM8100	SPACER, rear axle L	1
8	64611HM8170120	DRUM, rear sprocket mounting	1
9	64511HM8102	SPROCKET, rear	1
10	64733HM8100	RETAINER, rear sprocket drum	1
11	01517-08358	BOLT, rear sprocket	6
12	08319-31088	NUT, rear sprocket	6
13	09285-28001	OIL SEAL, rear sprocket mounting drum	1
14	08133-62047	BEARING, rear sprocket mounting drum	1
15	09169-10013	WASHER, rear sprocket	3
16	64651HM8101	SHOCKABSORBER, rear wheel	6
17	64731HM8100	SPACER, rear wheel bearing	1
18	08133-62037	BEARING, rear wheel L	1
19	08133-62037	BEARING, rear wheel R	1
20	09280-55001	O-RING, rear brake	1
21	69211HM8102	DISK, rear brake	1
22	09106H08230	BOLT, rear brake disk	6
23	64712HJ8201	WASHER, chain adjuster R	1
24	64712HJ8201	WASHER, chain adjuster L	1
25	69340HM8170120	CARRIER, caliper	1

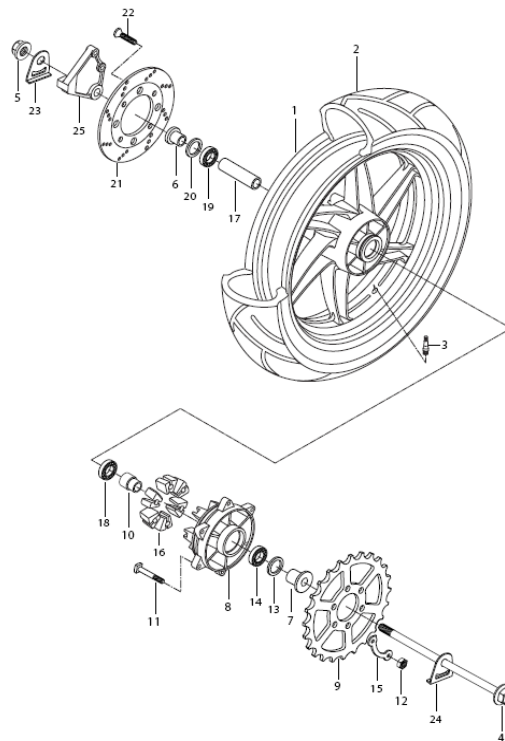
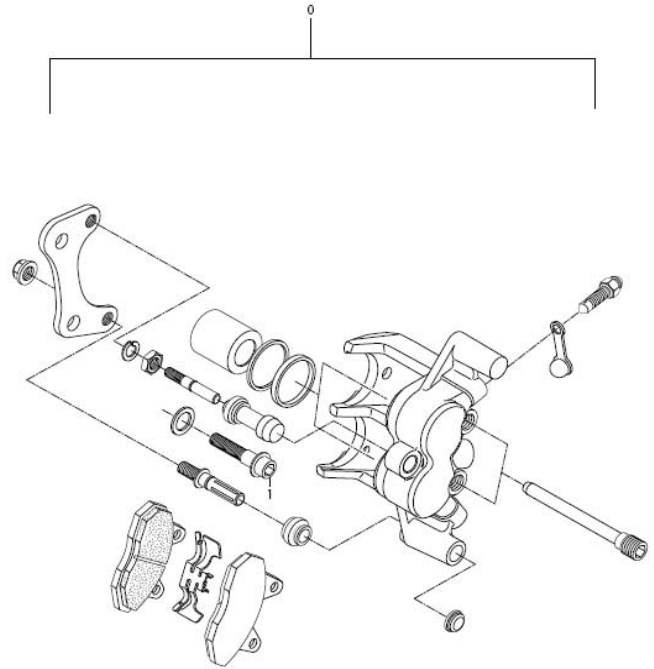


FIG 47. REAR CALIPER

REF. NO.	PARTS NAME	Q'TY
----------	------------	------

0	69300HN9102	CALIPER ASS'Y, L	1
1	07120-08258	BOLT, caliper	2
2	59301HP9500	PAD SET	1

FIG.47



FWD

FIG 48. COW'G BODY

REF. NO.	PARTS NAME	Q'TY
1	94611HP9203HPA WINDSCREEN ASS'Y(COLOR :LIQUID)	1
	94601HP9200HPA WIND SCREEN ASS'Y(COLOR : TONED)	
1-1	94611HP9203 WINDSCREEN	
1-2	68500HP9200 TAPE,WINDSCREEN	
1-3	68120HL7300120 EMBLEM,LEG SHIELD FRONT(HYOSUNG)	
2	94641HP9201 PANEL, meter	1
3	94411HP9202 COW'G, body side R(color:0BK,0DR,,0DS,0WP)	1
4	94421HP9202 COW'G, body side L(color:0BK,0DR,,0DS,0WP)	1
5	94431HP9400 COWLING, under center, 0BK,0DR	1
8	94671HP9200121 COWLING, air duct L	1
9	94661HP9200121 COWLING, air duct R	1
10	94441HP9200 COWLING, body center lower	1
11	94510HP9202 BRACE, cowling	1
12	03241-05125 BOLT, meter panel & body side cowling R/L	8
13	09103H08254 BOLT, brace comp & frame head pipe	2
14	09180H06208 SPACER, body side cowling R/L & brace comp	4
15	09320-09034 CUSHION, body side cowling R/L & brace comp	4
16	09116-06143 BOLT, body side cowling R/L & brace comp	4
17	09180H06208 SPACER, body side cowling R/L & frame	2
18	09320-09016 CUSHION, body side cowling R/L & frame	2
19	09136-06113 BOLT, body side cowling R/L & frame	2
20	09320-07012 CUSHION, windscreen & body side cowling up	6
21	02142-05165 BOLT, windscreen & body side cowling up	6
22	09148-05004 NUT, body side cowling R/L & meter panel	8
24	03241-05106 SCREW, side cowling & lower cowling	8
25	09148-05004 NUT, lower cowling ctr & body side cowling R/L	1
26	03241-05105 SCREW, lower cowling ctr & body side cowling R/L	1
28	09148-06020 NUT, body side cowling R/L & brace comp	4
29	08316-26055 NUT, windscreen & body side cowling up	6
30	03211-05166 SCREW, lower cowling & body side cowling R/L	4
31	08313-11088 NUT, brace comp & frame head pipe	2
32	03241-04128 SCREW, body side cowling & air doct cowling	6
33	09148-05039 NUT.	2
34	09106H05150 BOLT.	2

FIG 48 (GT250S)

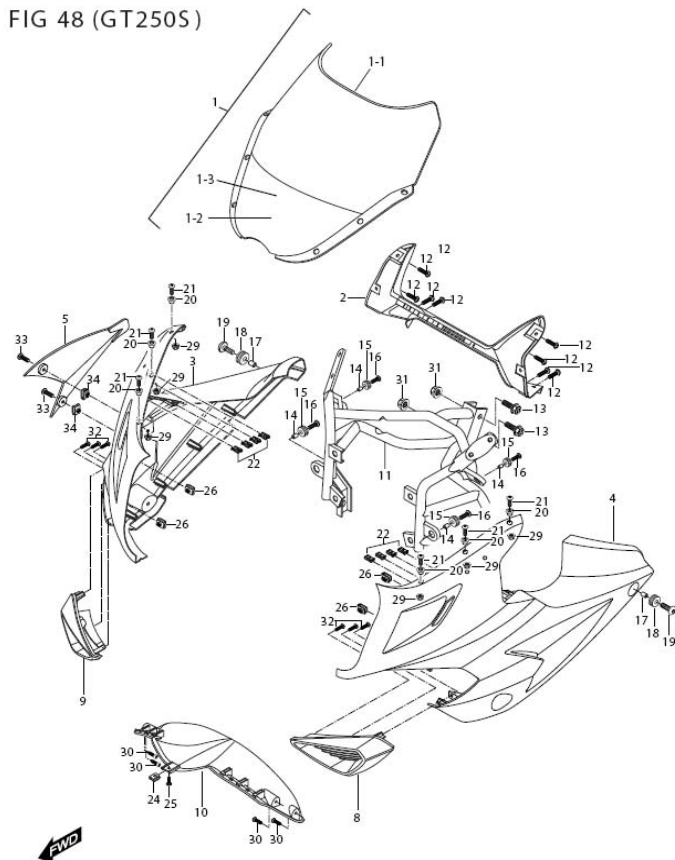


FIG 49. COW'G BODY

REF. NO.	PARTS NAME	Q'TY
----------	------------	------

1	94432HP9402	COWLING, under RH CBK,CDR	1
2	94433HP9400	COWLING, under LH CBK,CDR	1
3	94431HP9400	COWLING, under center 0BK,0DR	1
4	94434HR8300	PLATE, under cowling upper RH	1
5	94435HR8300	PLATE, under cowling upper LH	1
6	94436HP9401	PLATE, under center cowling	1
7	94478HR8300	BRKT COMP, frame & body side cowling R	1
8	94479HR8300	BRKT COMP, frame & body side cowling L	1
9	01134-06306	BOLT, body under COW'G & frame	2
10	09106H05150	BOLT, body under COW'G R/L	11
11	09148-05004	NUT, under COW'G	9
12	94425HP9401	PLATE, body COW'G side lower	2
13	94426HP9401	PLATE, body COW'G side	4
14	94439HP9401	GRILL, under center COW'G	1
15	94417HP9201	PLATE COMP, frame & body COW'G No.2	2
16	03151-05125	SCREW, side COW'G & lower cowl	7
17	03241-05125	SCREW	9
1.1	94432HP94100BK	COWLING, under RH For black	1
1.1	94432HP94100DR	COWLING, under RH for Red	1
1.1	94432H787630BK	COWLING, under RH for silver/black	1
1.1	94432H787640BK	COWLING, under RH For red/black	1
1.1	94432H787650BK	COWLING, under RH for white/black	1
2.1	94433HP94100BK	COWLING, under LH For black	1
2.1	94433HP94100DR	COWLING, under LH for Red	1
2.1	94433H787630BK	COWLING, under LH for silver/black	1
2.1	94433H787640BK	COWLING, under LH For red/black	1
2.1	94433H787650BK	COWLING, under LH for white/black	1

WITH DECALS

FIG 49 (GT250R)

