



 **HYOSUNG**
MOTORS & MACHINERY INC.

REFERENCE

1.The detailed specification of each model are referred by the persons who are in charge of overseas marketing team, Hyosung.

2.Special demand

When you order any colored parts, please add color code to the end of parts number and it will be helpful to register your parts order.

※ Color Code

DR : RED

MO : YELLOW

BK : BLACK

HYOSUNG MOTORS & MACHINERY INC.

FIG 1-1. CYLINDER HEAD/ (FRONT)

REF.	PARTS NAME	Q'TY
------	------------	------

NO. RAT/RNE01

1	11110SM8100HPA	HEAD ASS'Y, cylinder	1
2	11171HG510203S	COVER, cylinder head	1
3	11173HG5100	GASKET, cylinder head cover NO.1	1
4	13110HM8102	PIPE COMP, intake front	1
5	09402-44207	CLAMP, carburetor	1
6	09390-35001	C-RING, camshaft	4
7	09206-08001	PIN, camshaft housing knock	8
8	01517-06128	BOLT, oil galley(M6X12)	4
9	09168H06019	GASKET, oil galley bolt	2
10	09103-06013	BOLT, camshaft housing(M6X20)	8
11	09482-00456	PLUG, spark CR8E	1
12	09109H07018	BOLT, cylinder head cover(M7X17.5)	4
13	09161H11008	WASHER, cylinder head cover	4
14	09103H08306	BOLT, cylinder head(L=130)	4
15	09168-08021	GASKET, cylinder head bolt	4
16	09119H06002	BOLT, intake pipe(M6X16)	2
17	12782-35C00	GUIDE, camchain NO.2	1
18	09280H34000	O-RING, intake pipe	1
19	11178-17E00	GASKET, cylinder head cover NO.2	1
20	01421-06258	BOLT, cylinder head stud(M6x25)	3
21-1	11121-35C00PCH	HOUSING, camshaft No.1	1
21-2	11122-35C00PCH	HOUSING, camshaft No.2	1
21-3	11123-35C00PCH	HOUSING, camshaft No.3	1
21-4	11124-35C00PCH	HOUSING, camshaft No.4	1

FIG 1-1

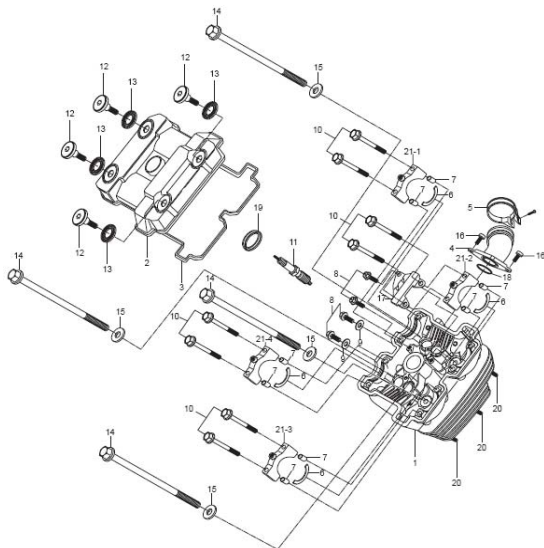


FIG 1-2. CYLINDER HEAD/ (REAR)

REF.	PARTS NAME	QTY
------	------------	-----

NO. RAT/RNE01

1	11110SM8100HPA	HEAD ASS'Y, cylinder	1
2	11171HG510203S	COVER, cylinder head	1
3	11173HG5100	GASKET, cylinder head cover NO.1	1
4	13120HM8101	PIPE COMP. intake rear	1
5	09402-44207	CLAMP, carburetor	1
6	09390-35001	C-RING, camshaft	4
7	09206-08001	PIN, camshaft housing knock	8
8	01517-06128	BOLT, oil galley(M6X12)	4
9	09168H06019	GASKET, oil galley bolt	2
10	09103-06013	BOLT, camshaft housing(M6X20)	8
11	09482-00456	PLUG, spark CR8E	1
12	09109H07018	BOLT, cylinder head cover(M7X17.5)	4
13	09161H11008	WASHER, cylinder head cover	4
14	09103H08306	BOLT, cylinder head(L=130)	4
15	09168-08021	GASKET, cylinder head bolt	4
16	09119H06002	BOLT, intake pipe(M6X16)	2
17	12782-35C00	GUIDE, camchain NO.2	1
18	09280H34000	O-RING, intake pipe	1
19	11178-17E00	GASKET, cylinder head cover NO.2	1
20	01421-06258	BOLT, cylinder head stud(M6x25)	3
21-1	11121-35C00PCH	HOUSING, camshaft No.1	1
21-2	11122-35C00PCH	HOUSING, camshaft No.2	1
21-3	11123-35C00PCH	HOUSING, camshaft No.3	1
21-4	11124-35C00PCH	HOUSING, camshaft No.4	1

FIG1-2

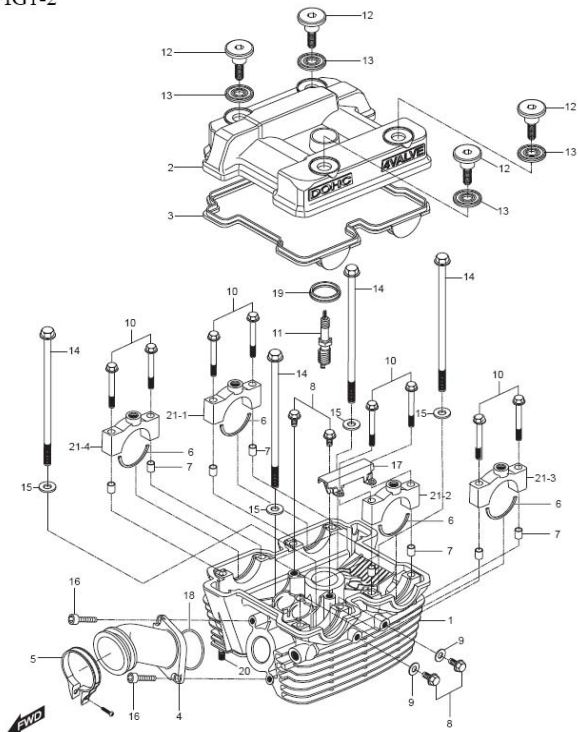


FIG 2. CYLINDER/FRONT, REAR

REF.	PARTS NAME	Q'T
NO. RAT/RNE01		

1	11220HM8110PCY	CYLINDER COMP, rear	1
1-A	11220HR8600PCY	CYLINDER COMP, rear 2007.FEB~(tention hole $\phi 21 \rightarrow \phi 27$)	1
2	11141HJ8210	GASKET, cylinder head	1
3	11241HG5103	GASKET, cylinder(NA)	1
4	04213-11169	PIN, cylinder head knock	2
5	11210HM8110PCY	CYLINDER COMP, front	1
5-A	11210HR8600PCY	CYLINDER COMP, front 2007.FEB~(tention hole $\phi 21 \rightarrow \phi 27$)	1
6	11141HJ8210	GASKET, cylinder head	1
7	11241HG5103	GASKET, cylinder	1
8	04213-11149	KNOCK PIN, cylinder	2
9	04213-11149	KNOCK PIN, cylinder	2
10	04213-11169	PIN, cylinder head knock	2
11	11251HG510003S	FIN, cylinder(FRONT)	1
12	07110-05168	BOLT, cylinder fin(FRONT)(M5×16)	2
13	11251HG510003S	FIN, cylinder(REAR)	1
14	07110-05168	BOLT, cylinder fin(REAR)(M5×16)	2
15	08316-16068	NUT, cylinder head(M6)	10
16	01421-06258	BOLT, cylinder stud(M6×25)	4

11220HM8110PCY and 11210HM8110PCY are out of production
Order HR8600PCY and the later style tensioners/gaskets

FIG 2

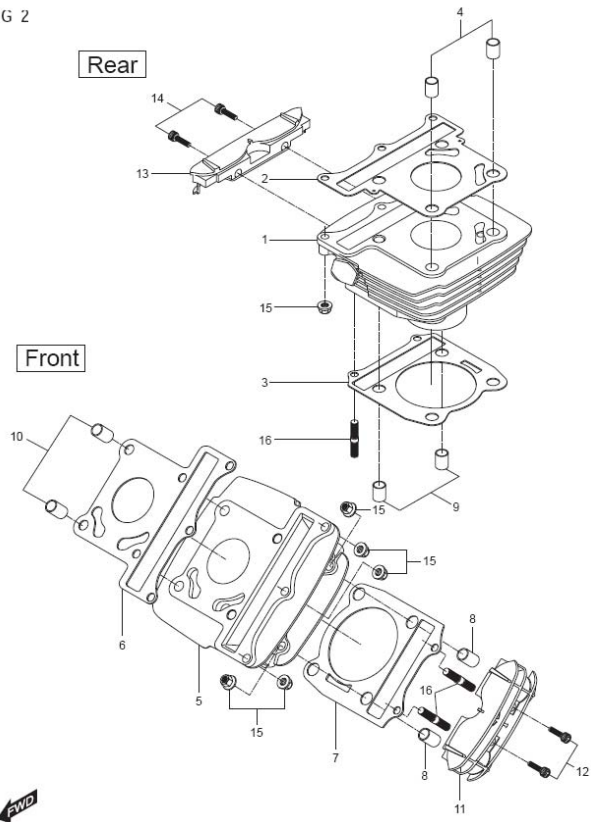


FIG 3. OIL COOLER

REF.	PARTS NAME	Q'TY
NO. RAT/RNE01		

2	16600HJ8200	COOLER ASS'Y, oil	1
3	16460HG5120	HOSE COMP, oil cooler NO.1	1
4	16470HJ8200	HOSE COMP, oil cooler NO.2	1
5	09360H12007	BOLT, oil cooler hose union NO.2(M1)	2
6	09360H10034	BOLT, oil cooler hose union NO.1(M1)	2
7	09116-06143	BOLT, oil cooler(M6×14)	2
		~KM4MJ51E961100120	
7-1	011107-06256	BOLT, oil cooler(M6×14)	2
		KM4MJ51E961100121~	
8	09320-10015	CUSHION, oil cooler	2
9	09180-06030	SPACER, oil cooler	2
10	09161-10009	GASKET, oil cooler NO.1	4
11	09168-14011	GASKET, oil cooler NO.2	4
12	11280HG5101	PIPE COMP, oil front	1
13	11290HG5101	PIPE COMP, oil rear	1
14	09360H10034	UNION BOLT, oil pipe upper(M10×2)	2
15	09161-10009	GASKET, oil pipe upper	4
16	15331HG5101	UNION BOLT, oil pipe lower	1
17	09161-10009	GASKET, oil pipe lower	3
18	09160-06057	WASHER, OIL COOLER	2

KM4MJ51E961100121~

FIG 3

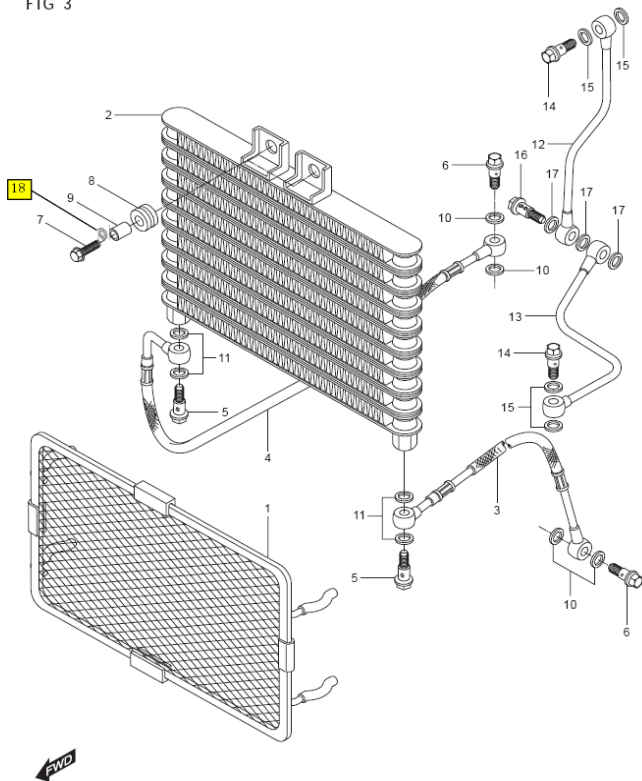


FIG 4. CRANK CASE

FIG 4

REF.	PARTS NAME	QTY
------	------------	-----

NO.	RAT/RNE01		
0	11300HM8100HPA	CRANK CASE ASS'Y	1
1	11320HM8100PCC	CRANK CASE COMP, L	1
2	11310HM8100PCC	CRANK CASE COMP, R	1
3	09364-12001	UNION, breather hose	1
4	09103H10022	BOLT, frame & engine(L=110)	3
4-1	09103H10099	BOLT, FM & E/G FT	1
5	08319-31108	NUT, frame & engine(M10)	3
6	04213-13189	PIN, crank case knock	2
7	11319-05200	PLATE, oil gallery plug	1
8	01107-06106	BOLT, oil gallery plug plate(M6×10)	1
9	01547-06558	BOLT, crank case(M6×55)	6
10	01547-06808	BOLT, crank case(M6×80)	5
11	02112-06908	SCREW, crank case(M6×90)	1
12	09401-14301	CLIP, breather drain cap	1
13	13870H29B00	CAP COMP.breather drain	1
14	09404-06404	CLAMP, crank case	2

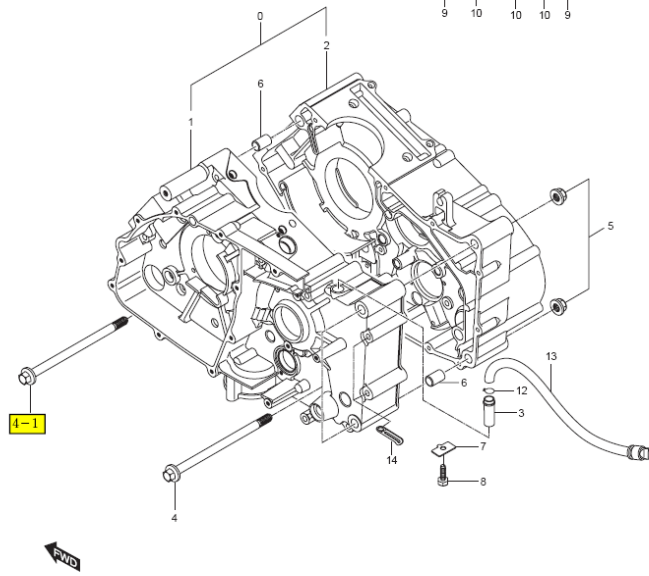
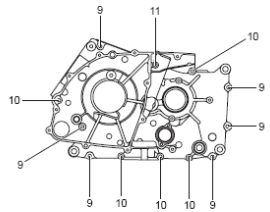


FIG 5. CRANK CASE COVER

REF.	PARTS NAME	Q'TY
NO.	RAT/RNE01	

1	11341SM8100HPA	COVER COMP, clutch	1
2	11351HJ820303S	COVER , magneto	1
3	11482HG5102	GASKET , clutch cover(NA)	1
4	11483HG5102	GASKET, magneto cover(NA)	1
5	09247-14026	PLUG, oil check	1
6	09168H14003	GASKET, oil check plug	1
7	09259-2000903S	PLUG, eng oil filler	1
8	09280-17003	O-RING, eng oil filler plug(16.8×2.4)	1
9	04213-13189	PIN, clutch cover knock	2
10	04213-09129	PIN, magneto cover knock	1
11	01547-06308	BOLT, magneto cover(M6×30)	7
12	01547-06708	BOLT, magneto cover(M6×55)	2
13	09403H09304	CLAMP, clutch cable	1
14	09259-2601503S	PLUG, crank shaft hole	1
15	09280-22008	O-RING, crank shaft hole plug(22.7×3)	1
16	01547-06258	BOLT, clutch cover(M6×25)	6
17	01547-06358	BOLT, clutch cover(M6×35)	2
18	01547-06608	BOLT, clutch cover(M6×60)	1
19	01547-06758	BOLT, clutch cover(M6×75)	1
20	09247H12102	PLUG, T.D.C	1
21	09168H12003	GASKET, T.D.C plug	1
22	11360HM810103S	COVER COMP, engine sprocket	1
23	01547-06308	BOLT, engine sprocket cover(M6×30)	2
24	01547-06408	BOLT, engine sprocket cover(M6×40)	1
25	08321-31068	WASHER, engine sprocket cover	3
26	09404-06401	CLAMP, crank case	3
27	13353HR8300	BRACKET,CARBURETOR ADJUST ~ KM4MJ51E361100436	1
27~1	13350HR8302	BRACKET,CARBURETOR ADJUST KM4MJ51E361100437~	1
28	01547-06408	SCREW BODY SIDE COWLING	2
29	11971-45010	Lens,oil level	

FIG 5

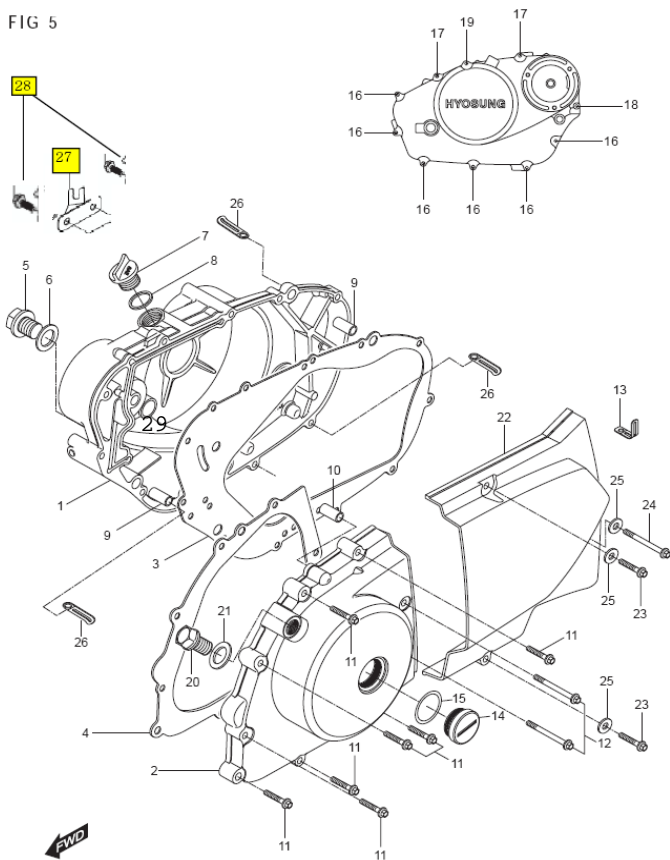


FIG 6. CRANK SHAFT

FIG 6

REF.	PARTS NAME	Q'TY	
NO. RAT/RNE01			
1	12200HJ8200HPA	CRANK SHAFT ASS'Y	1
2	12161HJ8200	ROD, connecting	1
3	09263H30002	BEARING, crank pin(30×38×15.8)	2
4	12211HJ8202HPA	PIN COMP, crank	1
5	12221HJ8203CSA	CRANK SHAFT, R	1
6	12261HJ8203CSA	CRANK SHAFT, L	1
7	09262H350A60A0	BEARING, crank shaft, R(35×72×17)	1
8	09262H350A60A0	BEARING, crank shaft, L(35×72×17)	1
9	21111HJ8201	GEAR, primary drive	1
10	21112HJ8200	GEAR, primary drive NO.2	1
11	09421H05001	KEY, primary drive gear	1
12	21114-35C00	SPRING, primary drive gear	3
13	09166H16021	WASHER, primary drive gear thrust	1
14	09140-16019	NUT, primary drive gear(M16)	1
15	09282-12001	SEAL, crank shaft oil rh(21×7)	1
16	12111HM8101PPS	PISTON, rear	1
17	12151-30B00	PIN, piston	1
18	09381-15001	CIRCLIP, piston pin	2
20	12141-16E00	RING, piston 1st	1
21	12142-16E00	RING, piston 2nd	1
22	12144-16E00	RING, piston oil	1
23	12161HJ8200	ROD, connecting	1
24	12111HM8101PPS	PISTON, front	1
25	12151-30B00	PIN, piston	1
26	09381-15001	CIRCLIP, piston pin	2
27	12141-16E00	RING, piston 1st	1
28	12142-16E00	RING, piston 2nd	1
29	12144-16E00	RING, piston oil	1
30	09166H16032	WASHER, primary drive gear lock	1
31	09160H30001	WASHER	3
32	11342HG5100	JET	1
33	11343HG5100	RETAINER	1
34	02112-06108	SCREW(M6×10)	2

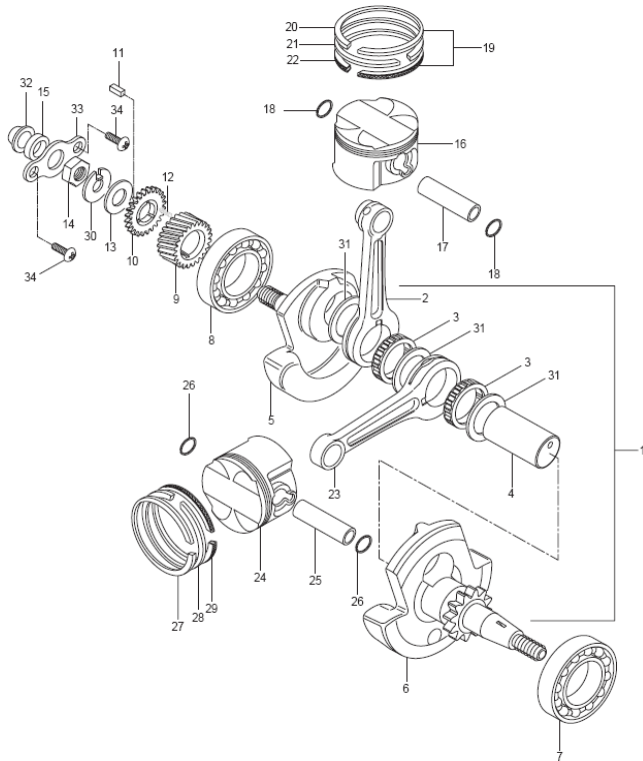


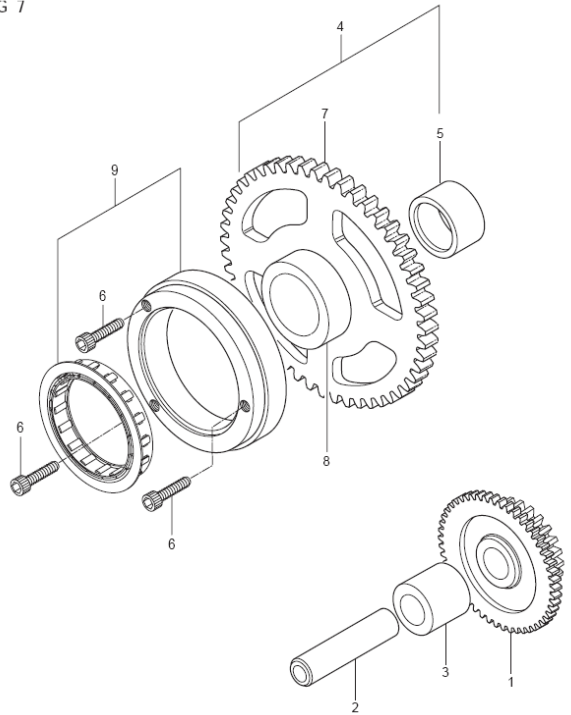
FIG 7. STARTER CLUTCH

FIG 7

REF.	PARTS NAME	QTY
------	------------	-----

NO. RAT/RNE01

1	12611HJ8200	GEAR, starter idle	1
2	12612HG5100	SHAFT, starter idle gear	1
3	09180-13006	SPACE, starter idle gear	1
4	12620HJ8204	GEAR COMP, starter clutch	1
5	09304H25002	BUSH, starter clutch gear	1
6	07110-08168	BOLT, starter clutch(M6×16)	3
7	12622HJ8201	GEAR, starter clutch	1
8	12621HJ8200	RACE, starter clutch gear inner	1
9	12614HJ8200	CLUTCH, starter one way	1



AWD

FIG 8-1. CAMSHAFT REAR

FIG 8-1

REF.	PARTS NAME	QTY
------	------------	-----

NO. RAT/RNE01

1	12711HM8100888	CAMSHAFT, intake rear	1
2	09262-17019	BEARING, camshaft rear(22.4X29.6X	4
3	12742HJ8200	SPROCKET, camshaft rear	2
4	12747-44B00	WASHER, sprocket rear	2
5	09261-05005	PIN, sprocket rear	2
6	09111-06032	BOLT, sprocket rear(M6X10)	4
7	12721HJ8200888	CAMSHAFT, exhaust rear	1
8	12911HJ8200	VALVE, intake rear	2
9	12912HJ8200	VALVE, exhaust rear	2
10	12921HJ8200	SPRING, valve rear	4
11	12931HJ8200	RETAINER, valve spring rear	4
12	12932HJ8200	COTTER, valve rear	8
13	12892-05C00(#170)	SHIM, tappet rear	4
14	12881HJ8200	TAPPET, rear	4
15	09289H04002	SEAL, valve stem oil rear(4X7.2X8)	4
16	12933HJ8200	SEAT, valve spring rear	4
17	12720HM8100HPA	CAMSHAFT ASS'Y, rear intake	1
18	12750HJ8201HPA	CAMSHAFT ASS'Y, rear exhaust	1

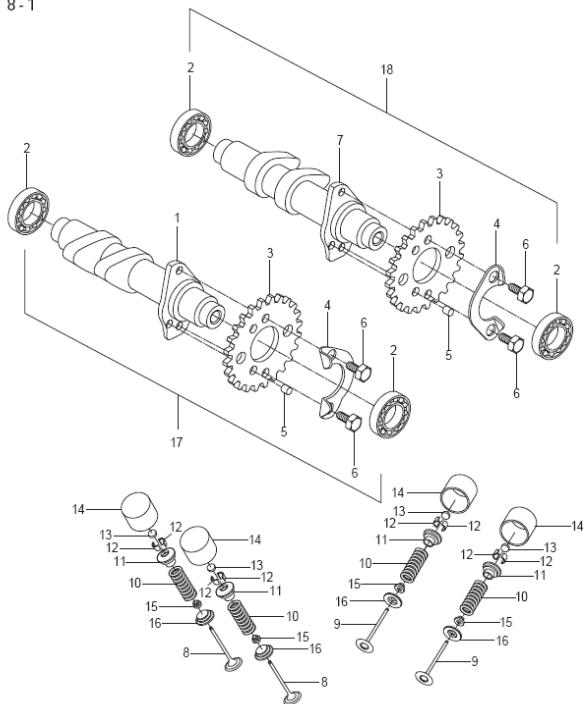


FIG 8-2. CAMSHAFT FRONT

FIG 8-2

REF.	PARTS NAME	Q'TY
------	------------	------

NO. RAT/RNE01

1	12711HJ8200888	CAMSHAFT, intake front	1
2	09262-17019	BEARING, camshaft front(22.4X29.6)	4
3	12741H16E00	SPROCKET, camshaft front	2
4	12747-44B00	WASHER, sprocket front	2
5	09261-05005	PIN, sprocket front	2
6	09111-06032	BOLT, sprocket front(M6X10)	4
7	12721HJ8200888	CAMSHAFT, exhaust front	1
8	12911HJ8200	VALVE, intake front	2
9	12912HJ8200	VALVE, exhaust front	2
10	12921HJ8200	SPRING, valve front	4
11	12931HJ8200	RETAINER, valve spring front	4
12	12932HJ8200	COTTER, valve front	8
13	12892-05C00(#170)	SHIM, tappet front	4
14	12881HJ8200	TAPPET, front	4
15	09289H04002	SEAL, valve stem oil front(4X7.2X8)	4
16	12933HJ8200	SEAT, valve spring front	4
17	12710HJ8200HPA	CAMSHAFT ASS'Y, front intake	1
18	12730HJ8200HPA	CAMSHAFT ASS'Y, front exhaust	1

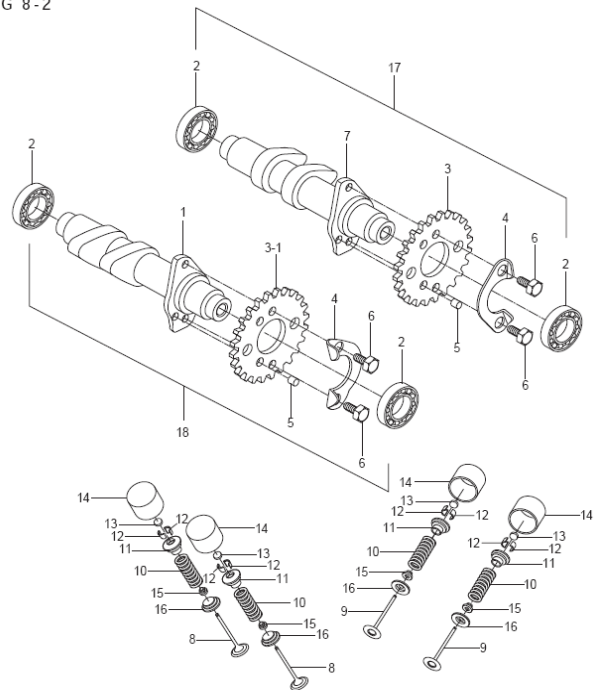


FIG 9. CAM CHAIN

FIG 9

REF.	PARTS NAME	QTY
NO. RAT/RNE01		

1	12760-16E00	CHAIN COMP, camshaft drive(124lin)	2
2	12771-16E00	GUIDE, camchain NO.1	2
3	12811HJ8200	TENSIONER, camchain	2
4	08211-06181	WASHER, camchain tensioner bolt	2
5	12812H35C00	BOLT, camchain tensioner(M6× 23)	2
6	12837H31321	GASKET, tensioner adjuster	2
6-A	12837HP7600	GASKET, tensioner adjuster 2007.FEB~(tention hole φ21->φ27)	2
7	12830H31320	ADJUSTER ASS'Y, tensioner	2
7-A	12830H88600	ADJUSTER ASS'Y, tensioner 2007.FEB~(tention hole φ21->φ27)	2
8	07110-06208	BOLT, tensioner adjuster(M6× 23)	4
9	12839-38200	PLUG, adjuster	2
9-A	12839HN9120	SCREW, adjust tensioner 2007.FEB~(tention hole φ21->φ27)	2
10	12838HP7600	O'ring tensioner screw	

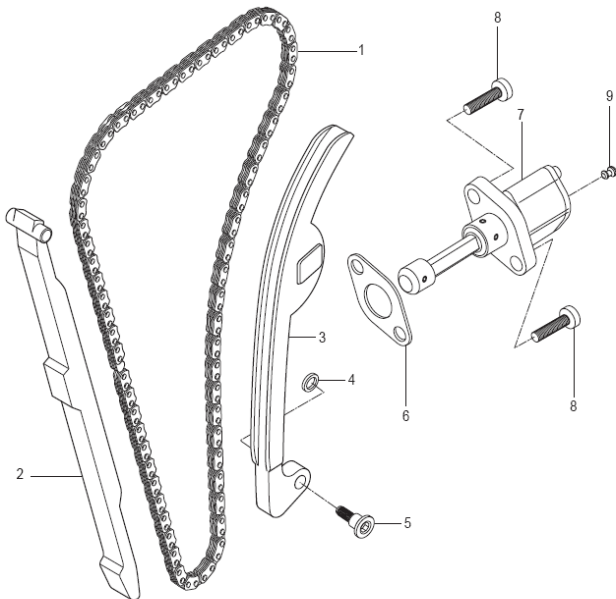


FIG 10. CARBURETOR ASS'Y

FIG 10

REF.	PARTS NAME	QTY
------	------------	-----

NO.	RAT/RNE01		
0	13200HM8101	CARBURETOR ASS'Y	1
1	13301HG5100	MIXING BODY ASS'Y	1
2	13302HG5100	MIXING BODY ASS'Y	1
3	13303HG5100	THROTTLE VALVE	2
4	13304HG5100	SCREW	4
5	13305HG5100	PLUG	2
6	13306HG5100	O-RING	2
7	13307HG5100	SPRING(CO)	2
8	13308HG5100	ADJUSTER	2
9	13309HG5100	WASHER	2
10	13310HG5100	DIAPHRAGM COVER	2
11	13311HG5100	SPRING(CO)	2
12	13312HG5100	SCREW	2
13	13313HG5100	RING	2
14	13314HG5100	SPRING(CO)	2
15	13315HG5100	E-RING	2
16	13316HG5100	RING	1
17	13317HG5100	SEAL	1
18	13318HG5100	BOLT	2
19	13319HG5100	RING	1
20	13320HG5100	SPRING(CO)	1
21	13321HG5100	PACKING	1
22	13322HG5100	SHAFT ASS'Y	1
23	13323HG5100	O-RING	2
24-1	13324HM8100	MAIN JET	1
24-2	13325HM8100	MAIN JET	1
25	13326HG5100	PACKING	2

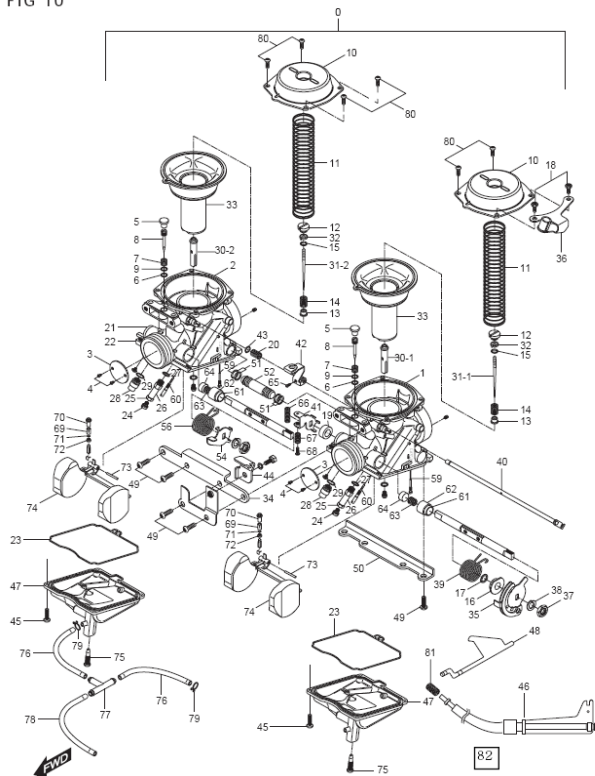


FIG 10. CARBURETOR ASS'Y

REF. NO.	RAT/RNE01	PARTS NAME	QTY
----------	-----------	------------	-----

26	13327HG5100	HOLDER	2
27	13328HG5100	WASHER	2
28	13329HG5100	SCREW	2
29	13330HG5100	WASHER	2
30-1	13331HM8100	NEEDLE(JET AB)(NJ)	1
30-2	13332HM8100	NEEDLE(JET AB)(NJ)	1
31-1	13333HM8100	JET NEEDLE(N)	1
31-2	13334HM8100	JET NEEDLE(N)	1
32	13337HG5100	RING	2
33	13338HG5100	DIAPHRAGM ASS'Y	2
34	13339HG5100	PLATE	1
35	13340HG5100	LEVER ASS'Y	1
36	13341HG5100	BRACKET ASS'Y	1
37	13342HG5100	NUT	1
38	13343HG5100	WASHER	1
39	13344HG5100	SPRING(CO)	1
40	13345HG5100	SHAFT ASS'Y	1
41	13346HG5100	THROTTLE SHAFT ASS'Y	1
42	13347HG5100	STARTER LEVER	1
43	13348HG5100	E-RING	1
44	13349HG5100	BRACKET ASS'Y	1
45	13350HG5100	SCREW	8
46	13351HG5100	ADJUST SCREW ASS'Y	1
47	13352HG5100	FLOAT BODY ASS'Y	2
48	13353HG5100	BRACKET	1
49	13354HG5100	SCREW	8
50	13355HG5100	PLATE	1

FIG 10

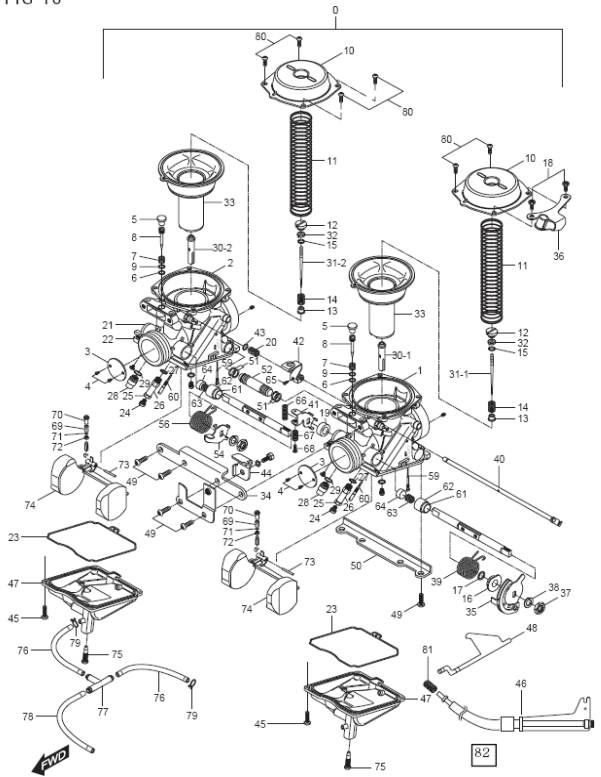


FIG 10. CARBURETOR ASS'Y

REF.	PARTS NAME	QTY
NO. RAT/RNE01		

51	13356HG5100	O-RING	4
52	13357HG5100	NIPPLE	1
53	13358HG5100	HOSE	1
54	13359HG5100	THROTTLE LEVER	1
55	13360HG5100	NIPPLE	1
56	13361HG5100	SPRING(CO)	1
57	13362HG5100	HOSE	1
58	13363HG5100	HOSE	1
59	13364HM8100	JET(PAJ)	2
60	13365HM8100	JET(PJ)	2
61	13366HG5100	CAP	2
62	13367HG5100	GUIDE HOLDER	2
63	13368HG5100	SPRING(CO)	2
64	13369HG5100	PLUNGER ASS'Y	2
65	13370HG5100	SCREW	1
66	13371HG5100	SPRING(CO)	1
67	13372HG5100	SPRING(CO)	1
68	13373HG5100	SCREW	1
69	13374HG5100	FILTER	2
70	13375HG5100	NEEDLE VALVE ASS'Y(VS)	2
71	13376HG5100	O-RING	2
72	13377HG5100	SCREW	2
73	13378HG5100	PIN	2
74	13379HG5100	FLOAT ASS'Y	2
75	13380HG5100	SCREW	2
76	13381HG5100	HOSE	2
77	13382HG5100	NIPPLE	1
78	13383HG5100	HOSE	1
79	13384HG5100	CLIP	2
80	13385HG5100	SCREW	6
81	13386HG5100	SPRING(CO)	1
82	09128-05005	BOLT	1

FIG 10

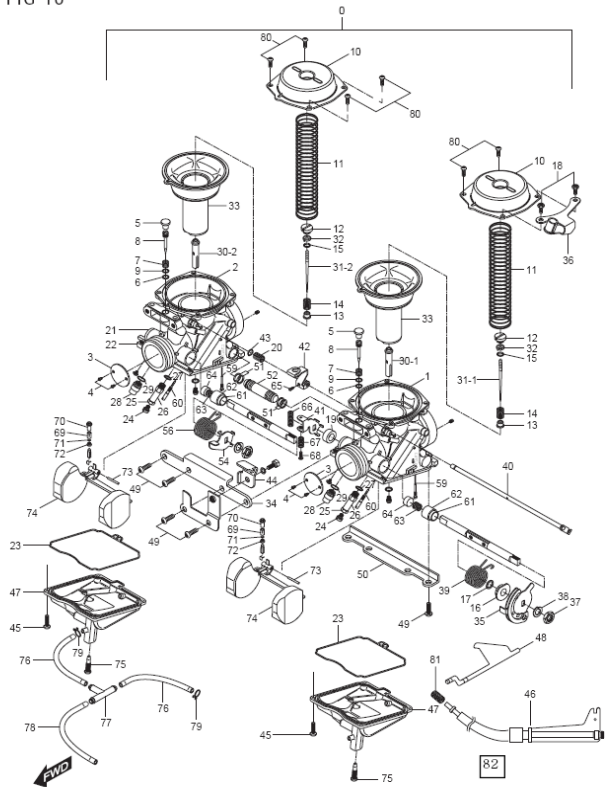


FIG 11. AIR CLEANER&CHAMBER

REF.	PARTS NAME	QTY
------	------------	-----

NO.	RAT/RNE01		
1	13700HM8101	CLEANER ASS'Y, air	1
2	13721HM8101	CASE, air cleaner	1
3	13740HM8101	CAP COMP, air cleaner	1
4	13780HM8100	FILTER COMP, air cleaner	1
5	13881HL7300	TUBE, outlet	2
6	09402-56208	CLAMP, outlet tube	2
7	13895HF4500	PLUG, oil drain	1
8	09401-14301	CLIP, oil drain plug	1
9	02142-05165	SCREW, air cleaner filter(M5×16)	4
10	02142-16125	SCREW, air cleaner(M6×12)	2

FIG 11

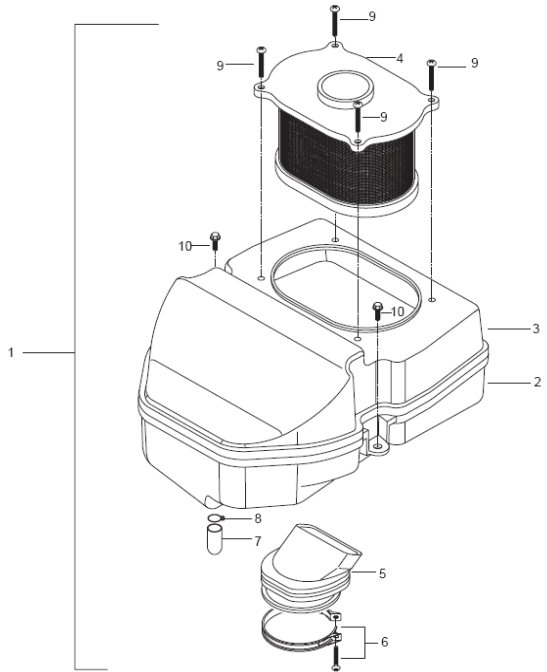


FIG 12. MUFFLER

FIG 12

REF.	PARTS NAME	QTY
NO. RAT/RNE01		
0	14305HM8105PLH MUFFLER, ASS'Y	1
1	14310HM8105PLA BODY COMP, muffler front	1
2	14160HM8102PAM PIPE COMP, exhaust rear	1
3	14150HM8103PAM PIPE COMP, exhaust front	1
4	14411HM8100 BRACKET, muffler support	1
5	14314HM8110 GASKET, connector flange	1
6	14770HG5101PAM CONNECTOR COMP, exhaust pipe	1
7	09160-10001 WASHER, exhaust pipe connector	1
8	14773HG5100 GASKET, connector exhaust pipe	1
9	01137-08358 BOLT, connector exhaust pipe(M8×35)	4
10	01421-08258 STUD BOLT, exhaust pipe(M8×35)	4
11	09143H08001 NUT, exhaust pipe(M8)	4
12	07110-10358 BOLT, muffler support	1
13	09160-10102 WASHER, muffler support	1
14	08316-26108 NUT, muffler support rear	1
15	09119H06002 BOLT, connector flange	4
16	01137-08168 BOLT, muffler chamber bracket(M8×1)	1
17	14181-46E00 GASKET, exhaust pipe	2

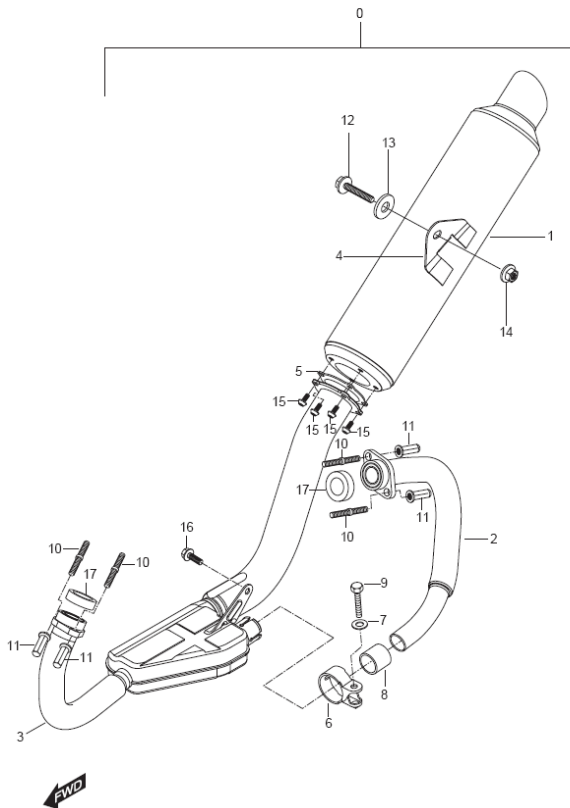


FIG 13. OIL PUMP

FIG 13

REF.	PARTS NAME	Q'TY	
NO. RAT/RNE01			
1	16400HG5102	PUMP ASS'Y, oil	1
2	16331HG5102	GEAR, oil pump driven	1
3	09261-02001	PIN, oil pump driven gear	1
4	08332-11069	CIRCLIP, oil pump driven gear	1
5	02112-06258	SCREW, oil pump(M6×25)	3
6	16520-05202	STRAINER COMP, engine oil	1
7	02112-95126	SCREW, engine oil strainer(M5×12)	2
8	16523-05200	CAP, oil strainer	1
9	09280-60005	O-RING, strainer cap(60.5×2.4)	1
10	01547-06208	BOLT, oil strainer cap(M6×20)	3
11	09247-14002	PLUG, oil drain	1
11-1	09247-14019	PLUG, oil drain ~KM4MJ51E161100662	1
12	09168H14003	GASKET, drain plug	1
13	16510-05240	FILTER COMP, engine oil	1
14	09280-13004	O-RING, oil filter(13.5×1.5)	1
15	16512HG510003S	CAP, oil filter	1
16	09280-54001	O-RING, oil filter cap(25.7×3.5)	1
17	09440-18002	SPRING, oil filter cap	1
18	01421-06128	BOLT, oil filter cap stud(M6×12)	2
19	08313-11068	NUT, oil filter cap(M6)	3
20	01421-06658	BOLT, oil filter cap stud(M6×65)	1
21	16419HG5100	BUSH, oil pump	1
22	09206-08001	PIN, oil pump knock	2
23	08331-31109	CIRCLELIP	2
24	08211-10181	WASHER	2
25	09180H10022	SPACER	1
26	16451HG5101	SHAFT, oil pump idle gear	1
27	16431HG5104	GEAR, oil pump idle	1

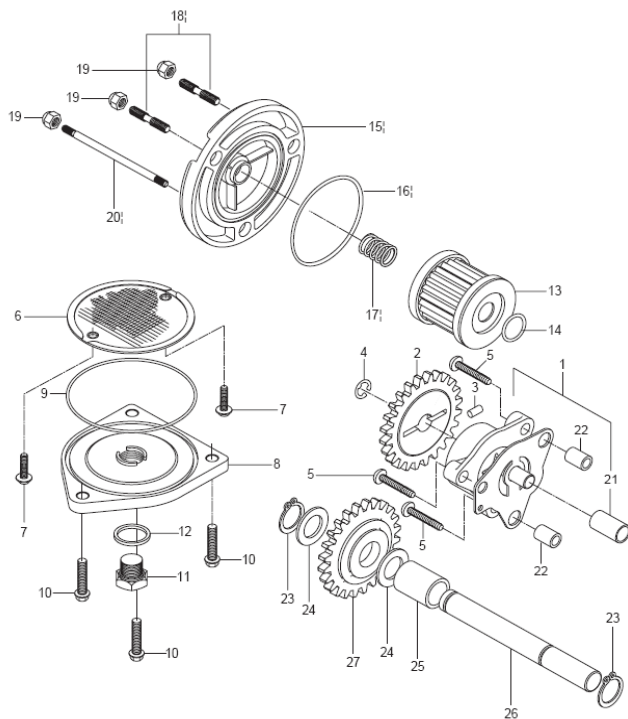


FIG 14. CLUTCH ASS'Y

FIG 14

REF.	PARTS NAME	QTY
NO. RAT/RNE01		
1	21200HJ8200HPA GEAR COMP, primary driven	1
2	02142-06108 STOPPER, clutch release camshaft oil	1
3	21411HJ8202 HUB, clutch sleeve	1
4	09140-16014 NUT, clutch sleeve hub(M6)	1
5	09169H16001 WASHER, clutch sleeve hub	1
6	09167H18001 THRUST WASHER, clutch sleeve hub	1
7	21441HJ8201 PLATE, clutch drive	6
8	21451HJ8201 PLATE, clutch driven	5
9	21462HJ8201 DISK, clutch pressure	1
10	09440H16003 SPRING, clutch	5
11	09116H05001 BOLT, clutch spring(M5× 20)	5
12	23110HJ8201 ROD COMP, clutch push	1
12-1	23110HJ8202 ROD COMP, clutch push KM4MJ51E361100003~	1
12-2	23115HN9100 ROD clutch push NO.2 KM4MJ51E361100003~	1
12-3	23113HJ8200 ROD clutch push R KM4MJ51E361100003~	1
13	23121-38201 ROD COMP, clutch push	1
14	23122HG5100 CAM SHAFT, clutch release	1
15	08211-10201 THRUST WASHER, clutch release ca	1
16	09160-15015 THRUST WASHER, clutch release	1
17	09263H15001 THRUST BEARING, clutch release	1
18	09282-10007 OIL SEAL, clutch release camshaft(10	1
19	09134-06010 SCREW, clutch release adjuster(M6×1	1
20	08310-22068 NUT, clutch release adjust(M6)	1
21	23271HJ8250 ARM, clutch release	1
22	01107-06168 BOLT, clutch release arm(M6×16)	1

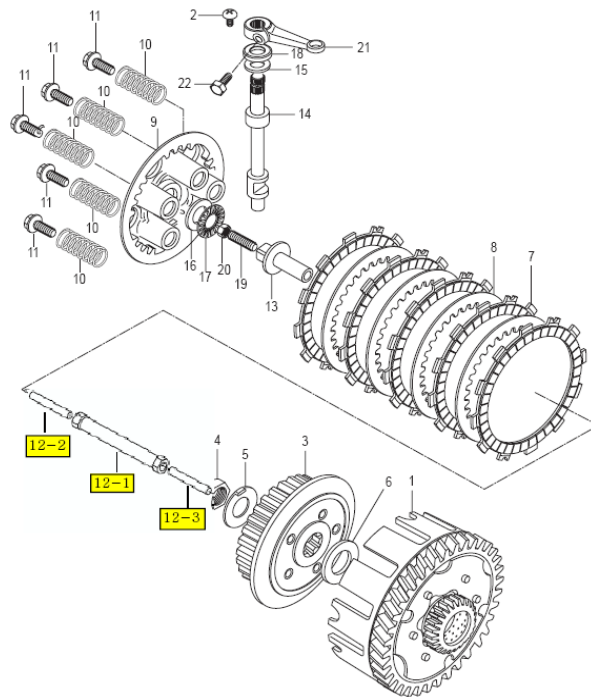


FIG 15. TRANSMISSION

FIG 15

REF.	PARTS NAME	QTY
NO. RAT/RNE01		
0	24200SJ8200HPA MISSION GEAR SET	1
1	24130HJ8200HPA DRIVE SHAFT ASS'Y	1
1-1	24130HJ8201 SHAFT COMP, drive	1
2	24121HJ8200HPA SHAFT COMP, counter	1
2-1	24121HJ8202 SHAFT, counter	1
3	24125-38201 BUSH, counter shaft	1
4	24221HJ8201 GEAR, 2nd drive	1
5	24241HJ8200 GEAR, 4th drive	1
6	24251HJ8202 GEAR, 5th drive	1
7	09380H20001 CIRCLIP, 5th drive gear	1
8	08110-62050 BEARING, counter shaft R(#6205)	1
9	09263H17001 BEARING, counter shaft L(24×17×18)	1
10	24741HG5100 RETAINER, counter shaft bearing	1
11	02122-06128 SCREW, counter shaft bearing retainer	1
12	09140-16017 NUT, engine sprocket(M21)	1
13	24311HJ8200 GEAR, 1st driven	1
14	08211-17261 THRUST WASHER, 1st driven gear L	1
15	09263H17008 BEARING, 1st driven gear(24×17×9.8)	2
16	24320HJ8200 GEAR COMP, 2nd driven	1
17	09380H20001 CIRCLIP, 4th driven gear	2
18	24331HJ8200 GEAR, 3rd driven	1
19	09167H18002 THRUST WASHER, 4th driven gear	1
20	24341HJ8200 GEAR, 4th driven	1
21	24351HJ8202 GEAR, 5th driven	1
22	24359-05200 WASHER, oil sealing	1
	~KM4MJ51E061100474	
22-1	09160H20011 WASHER, oil sealing	1
	KM4MJ51E061100475~	
23	09263H17007 BEARING, drive shaft R	1
24	09262H22016 BEARING, drive shaft L(22×56×16)	1

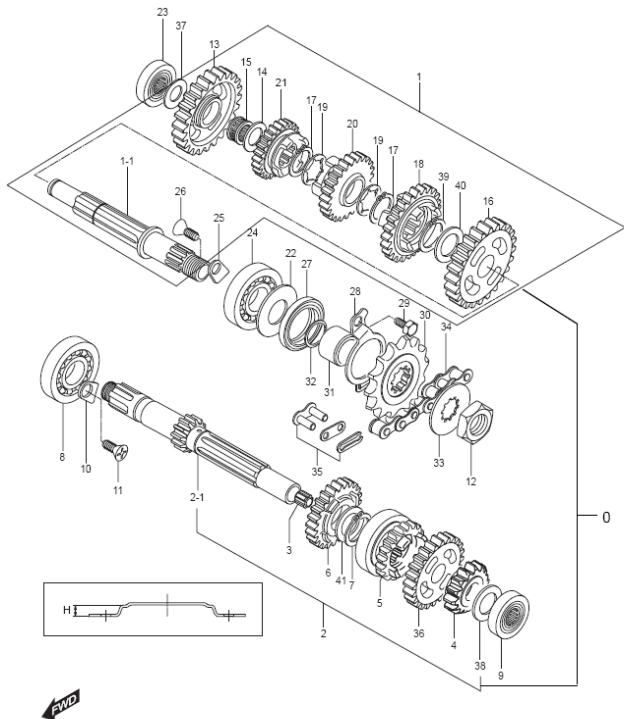


FIG 15. TRANSMISSION

FIG 15

REF.	PARTS NAME	QTY
------	------------	-----

NO. RAT/RNE01

25	24741HG5100	RETAINER, drive shaft bearing	1
26	02122-06128	SCREW, drive shaft bearing retainer(Δ)	1
27	09283-27010	OIL SEAL, drive shaft(40×6)	1
28	24751HG5102	RETAINER, drive shaft oil seal	1
29	01107-06106	BOLT, drive shaft oil seal retainer(M6)	2
30	27510HJ8200	SPROCKET COMP, engine 14T(#520)	1
31	27531HJ8200	SPACER, engine sprocket ~KM4MJ51E061100474	1
31-1	27531HJ8201	SPACER, engine sprocket KM4MJ51E061100475~	1
32	09280-19005	O-RING, engine sprocket(29×2.4)	1
33	09167-20006	LOCK WASHER, engine sprocket	1
34	27600HM8100	CHAIN ASS'Y, drive(#520)112Line	1
35	27620H93B00	JOINT, chain	1
36	24230HJ8200	GEAR COMP, 3rd drive	1
37	08211-17301	WASHER, drive shaft thrust	1
38	08211-17301	WASHER, counter shaft thrust	1
39	09380H20001	CILCLIP, 2nd driven gear	1
40	08211-22281	WASHER, 2nd driven gear	1
41	08211-22281	WASHER, 5th drive gear thrust	1

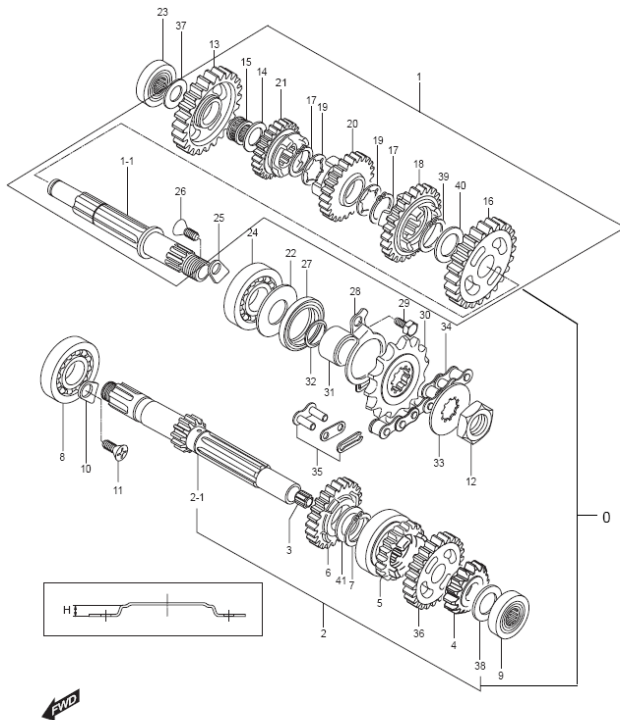


FIG 16. GEAR SHIFTING

FIG 16

REF.	PARTS NAME	Q'TY
NO.	RAT/RNE01	

1	25211HJ8200	FORK, gear shift No.1	1
2	25231HJ8200	FORK, gear shift No.3	1
3	25411-05201	SHAFT, gear shift fork No.1	1
4	25421-35403	SHAFT, gear shift fork No.2	1
5	25310HJ8200	CAM COMP, gear shift	1
6	08211-25401	WASHER, gear shift cam	1
7	25322-31301	GEAR, gear shift cam driven	1
8	25323-34201	PAWL, gear shift No.1	1
9	25324-34201	PAWL, gear shift No.2	1
10	09261-05003	PIN, gear shift pawl click	2
11	09440-04003	SPRING, gear shift pawl return	2
12	25331-30000	LIFTER, gear shift pawl	1
13	02122-06128	SCREW, gear shift pawl	2
14	25341HG5100	GUIDE, gear shift cam	1
15	02122-06128	SCREW, gear shift pawl lifter(M6×12)	2
16	25350HG5100	STOPPER COMP, gear shift cam	1
17	09111-06019	BOLT, gear shift cam stopper(M10×14)	1
18	08211-06141	WASHER, gear shift cam stopper	1
19	09440H11020	SPRING, gear shift cam stopper	1
20	09443H08044	SPRING, gear shift cam stopper arm	1
21	09223-04001	HOOK, gear shift shaft spring	1
22	25351-30010	STOPPER, gear shift cam neutral	1
23	25381-45400	PLATE, gear shift cam stopper	1
24	04221-04069	PIN, gear shift cam stopper plate	1
25	09247-14026	PLUG, gear shift cam stopper	1
26	09168H14003	WASHER, gear shift cam stopper plug	1
27	25510HG5101	SHAFT COMP, gear shift	1

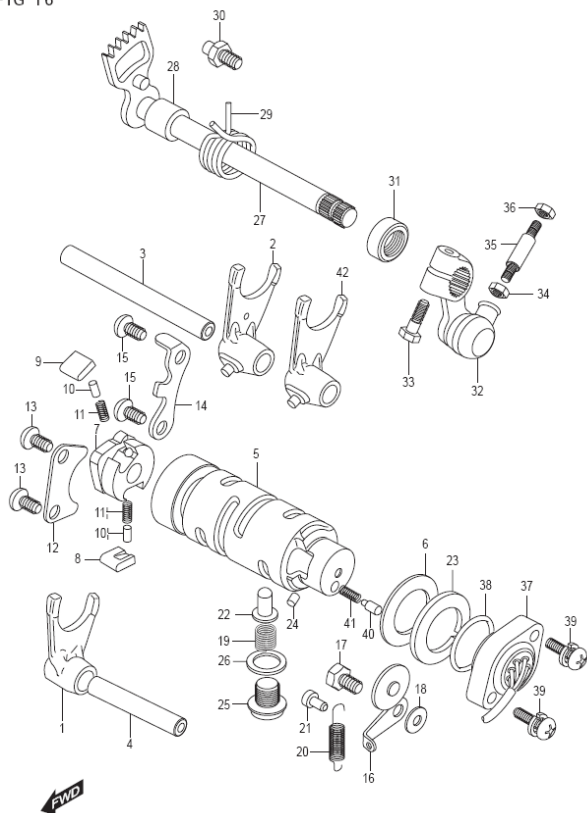


FIG 16. GEAR SHIFTING

FIG 16

REF.	PARTS NAME	QTY
NO.	RAT/RNE01	

28	09180-12068	SPACER, gear shift shaft	1
29	09444-26013	SPRING, gear shift shaft return	1
30	25671-01000	STOPPER, gear shift arm	1
31	09285-12002	OIL SEAL, gear shift shaft(22× 9)	1
32	25520-32C00	ARM COMP, gear shift link	1
33	01107-06208	BOLT, gear shift link arm(M6× 20)	1
34	08310-11068	NUT, gear shift link rod R(M6)	1
35	25525HR8320	ROD, gear shift link	1
36	09140-06011	NUT, gear shift link rod L(M6)	1
37	37720HG5102	SWITCH ASS'Y, neutral	1
38	09280-26003	O-RING, gear shift switch(26.2× 2.4)	1
39	02112-95208	SCREW, gear shift switch(M5× 20)	2
40	09209-05011	CONTACT, gear shift switch	1
41	09440-04010	SPRING, gear shift switch contact	1
42	25221HJ8200	FORK, gear shift No.2	1

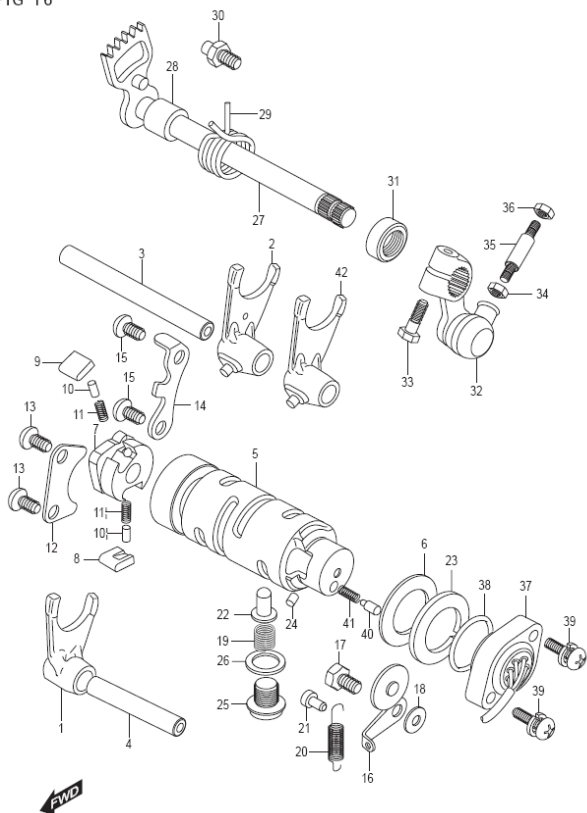


FIG 17. STARTING MOTOR

FIG 17

REF.	PARTS NAME	QTY
NO.	RAT/RNE01	

1	31100HG5100	MOTOR ASS'Y, starting	1
2	31310-11D10	ARMATURE ASS'Y, starter	1
3	31110HD6300	YOKE ASS'Y, starter	1
4	31150-42A01	HOUSING ASS'Y, starter	1
5	31175HG5100	FRAME ASS'Y, commutator	1
6	31281-32C10	BOLT, through	2
7	31156-38300	O-RING	2
8	09280-24003	O-RING	1
9	31264-35C10	O-RING	2
10	31153-49210	SEAL, oil	1
11	31361-32C00	PLATE, lock	1
12	31361-38300	WASHER, plate lock	1
13	31361-10200	RING, shaft snap	1
14	31132-32C10	BRUSH SUB ASS'Y, starter	2
15	31131-32C20	BRUSH, starter	2
16	31114-32C10	SCREW	2
17	31135-32C10	SPRING, compression coil	4
18	01547-06308	BOLT, starting motor(M6×30)	2

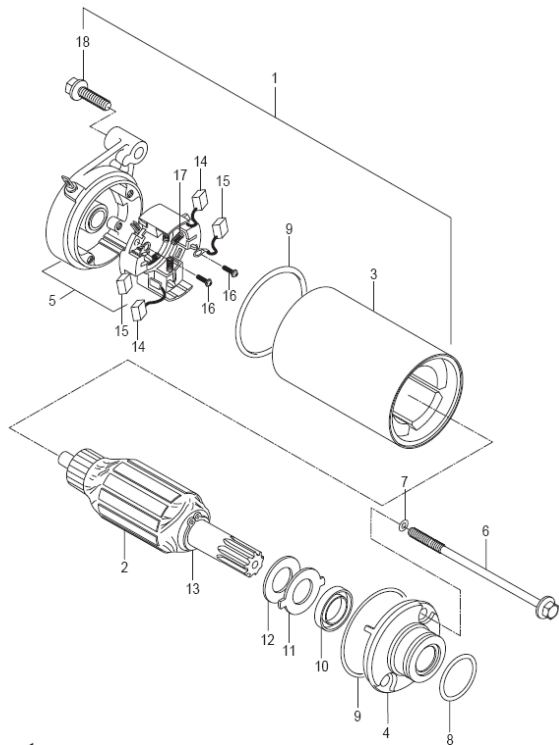


FIG 18. MAGNETO ASS'Y

FIG 18

REF. NO.	PARTS NAME	QTY
----------	------------	-----

1	32100HJ8200	MAGNETO ASS'Y	1
2	32101HG5100	STATOR ASS'Y	1
3	32102HJ8200	ROTOR, fly wheel	1
4	02112-05128	SCREW, pick-up coil(M5X12)	2
5	02112-05258	SCREW, magneto stator(M5X25)	3
6	08316-26128	NUT, magneto fly wheel(M12)	1
7	08341-31049	KEY, magneto	1

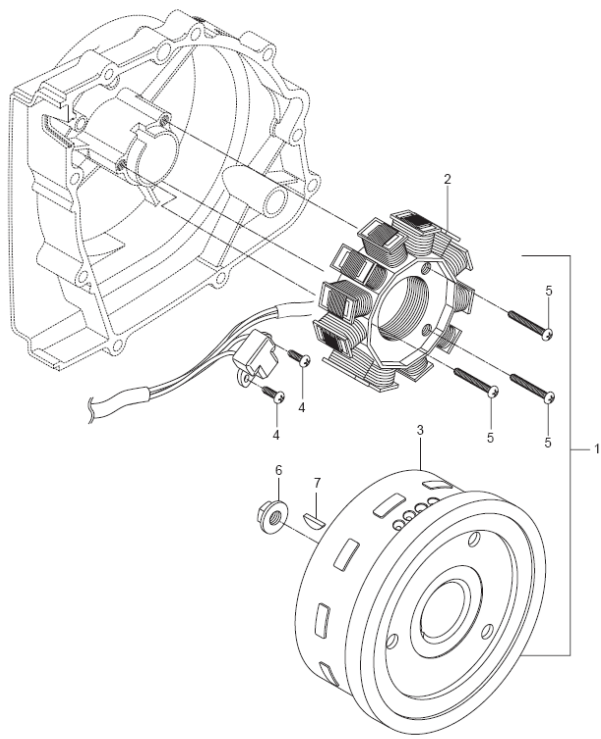


FIG 19. BATTERY

FIG 19

REF. NO.	RAT/RNE01	PARTS NAME	QTY
----------	-----------	------------	-----

1	33610HM8100	BATTERY ASS'Y(12V 12Ah. STX14	1
2	33860HM8101	LEAD WIRE, battery minus(-)	1

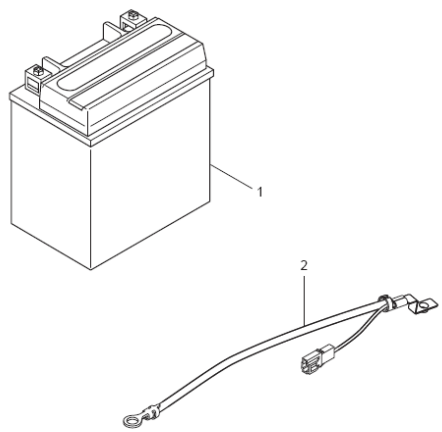


FIG 20. ELECTRICAL

FIG 20

REF.	PARTS NAME	QTY
NO. RAT/RNE01		

1	31800HG5100	RELAY ASS'Y, starting motor	1
2	08316-26066	NUT, starter motor relay terminal	2
3	33840HM8101	LEAD WIRE, battery plus(+)	1
4	33850HM8100	LEAD WIRE, starter motor	1
5	32800H01413	RECTIFIER regulator ASS'Y	1
6	07110-06208	BOLT, rectifier	2
7	33410HM8100	COIL ASS'Y, ignition	2
8	09128-06035	BOLT, ignition coil(M6× 20)	2
9	33541-23E01	SEAL, spark plug	2
10	33510-05C01	CAP, spark plug	2
11	33542-24D00	including No.9+No.11	2
12	32900HM8153	CDI UNIT	1
13	38740HM5401	RELAY ASS'Y, fuel pump	1

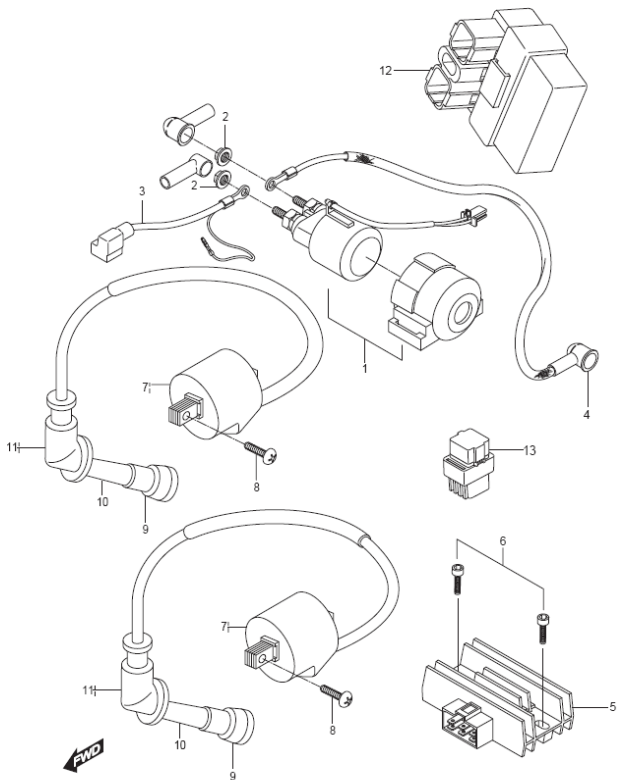


FIG 21. SPEEDOMETER ASS'Y

REF. NO.	PARTS NAME	QTY
----------	------------	-----

1	34100HR8300	SPEEDOMETER ASS'Y	1
2	34150HP9200	WINDOWS, case	1
3	34160HP9200	CASE SUB, housing	1
4	34121HR8300	TACHOMETER ASSY, movement	1
5	34500HR8300	DISPLAY ASS'Y, speedometer	1
6	34600HR8300	PCB ASS'Y, speedometer	1
6-1	34111HR8301	SPEEDOMETER COMP	1
	34111HR8360		
7	34950HP9200	BRACKET, speedometer	1
8	34170HP9201	WIRING ASS'Y, speedometer	1
9	01517-06208	BOLT, speedometer bracket	3
10	09471-12072	BULB (12V 1.7W T6.5)	2
11	94647HP9200	CUSHION, Exclude Light	1

FIG 21

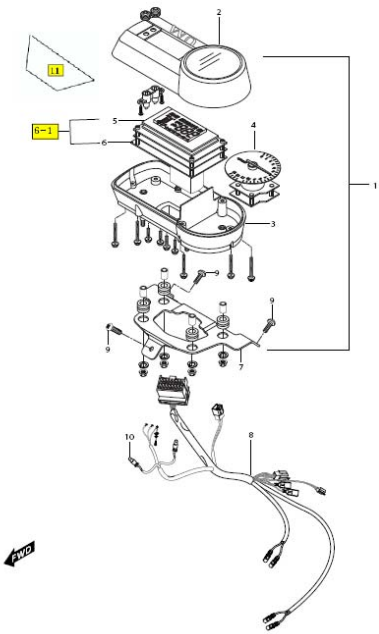


FIG 22. HEAD LAMP

FIG.22

REF.	PARTS NAME	QTY
NO. RAT/RNE01		
1	35100HR8351 HEAD LAMP ASS'Y	1
2	09471H12250 BULB, head lamp hi(12v H1:55w)	1
3	09471H12230 BULB, head lamp LO(12v H1:55w)	1
4	35173HP9200 DUST COVER	2
5	09148-05039 NUT, head lamp speedometer	3
6	09320-09016 CUSHION, head lamp & brace comp	4
7	09180-06011 SPACER, head lamp & brace comp	4
8	09136-06113 BOLT, head lamp & brace comp	4
9	35192HP9200 CUSHION, Head Lamp	1
	KM4MJ51E051100216~	
10	35193HP9200 TAPE,CUSH HEAD LAMP R	1
	KM4MJ51E051100216~	
11	35194HP9200 TAPE,CUSH HEAD LAMP L	1
	KM4MJ51E051100216~	

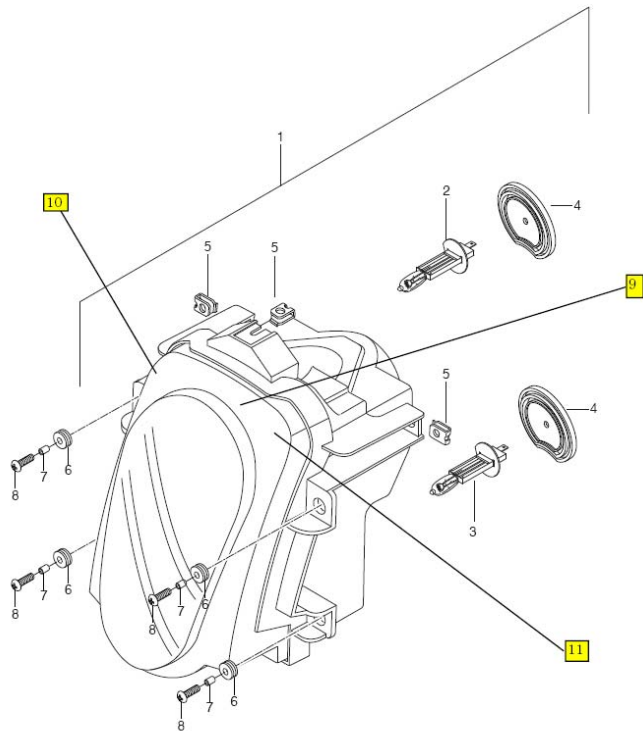


FIG 23. FRONT TURN SIGNAL LAMP

REF.	PARTS NAME	QTY
NO. RAT/RNE01		

1	35601HP9250	LAMP ASS'Y, FT turnsignal R	1
2	35602HP9250	LAMP ASS'Y, FT turnsignal L	1
3	09471-12003	BULB, FT turnsignal lamp(12V, 10W)	2
4	09160-06019	WASHER, FT turnsignal lamp	4
5	08316-26066	NUT, FT turnsignal lamp	4
6	35603HM8151	LAMP ASS'Y, RR turnsignal R	1
7	35604HM8151	LAMP ASS'Y, RR turnsignal L	1
8	09471-12003	BULB, RR turnsignal lamp(12V, 10W)	2
9	38610HL7300	RELAY ASS'Y, turnsignal	1
10	01517-06206	BOLT, turnsignal, relay	1
11	35612HM8100	LENS, FT turnsignal R	2
12	35632HM8100	LENS, FT turnsignal L	2

FIG 23

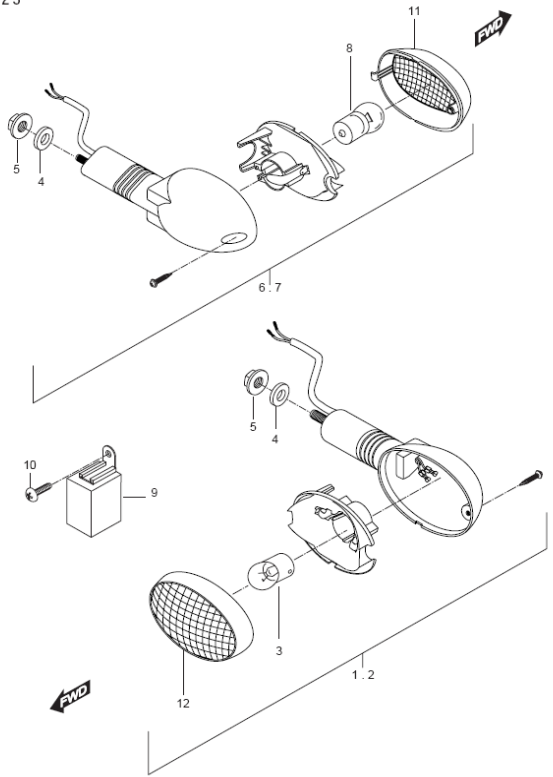


FIG 24. WIRING HARNESS

FIG 24

REF.	PARTS NAME	QTY
NO. RAT/RNE01		
1	36610HR8351 HARNES, wiring	1
	HARNES, wiring	1
2	38500HR8300 HORN ASS'Y	1
3	37000HP9200 LOCK ASS'BY, steering	1
3-1	37110HG5150 BLANK KEY	1
4	01517-06168 BOLT, steering lock	2
4-1	09139H06016 BOLT, steering lock	1
5	37740H04512 SWITCH ASS'Y, brake lamp ~KM4MJ51EX61100000	1
5-1	37740HN9100 SWITCH ASS'Y, brake lamp KM4MJ51EX61100001~	1
6	09407-14403 CLAMP, wiring harness	8
7	01517-06128 BOLT, HORN KM4MJ51EX61100001~	1
8	09407-22402 CLAMP, wiring harness	2
9	09443H06006 SPRING	1
10	09407-14408 CLAMP, wiring harness	5
11	41495HN9101 GUIDE CLAMP, horn	3
12	38510H93B00 COVER HORN	1
13	38520HR8300 BRACKET,HORN	1
14	09404-06401 CLAMP, wiring harness KM4CA15C361125240~	1
15	37550HP9200 SPACER,STEERING LOCK	1

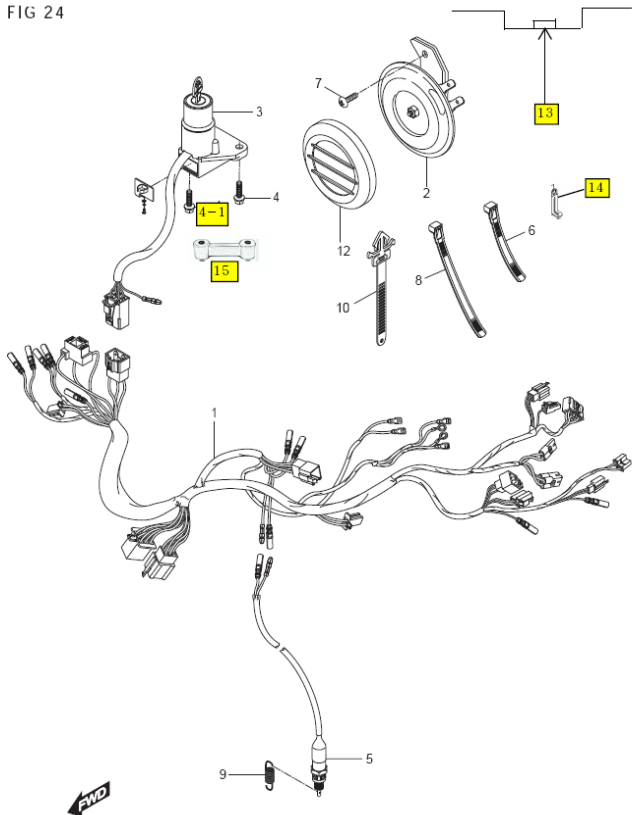
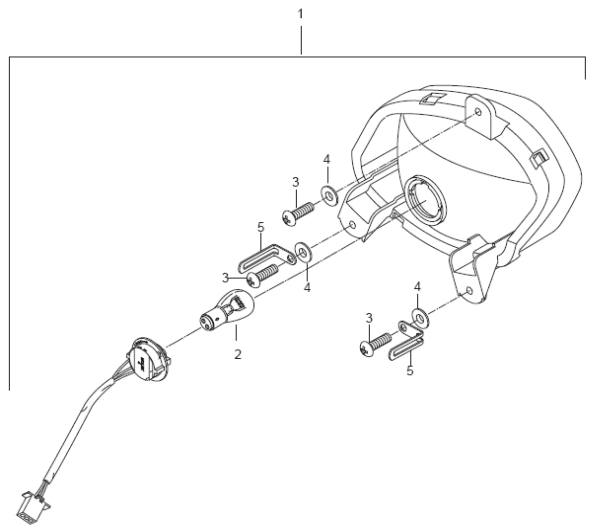


FIG 25. REAR COMBINATION

REF.	PARTS NAME	QTY
------	------------	-----

NO.	RAT/RNE01		
1	35710HM8152	LAMP ASS'Y, tail & stop	1
2	09471-12047	BULB, tail & stop(12V 21/5W)	1
3	03241-05166	SCREW, tail & stop	3
4	09160-05017	WASHER, tail & stop	3
5	09404-06401	CLAMP, tail & stop	2

FIG 25



FWD

FIG 26. FRAME

FIG 26

REF.	PARTS NAME	QTY
NO. RAT/RNE01		
1	41100HR830003P FRAME COMP	1
1-1	41100HR8300PAM FRAME COMP(Black) KM4MJ51E061100492~ FRAME COMP(Black)	1
2	41150HR830003P TUBE COMP, frame down L	1
2-1	41150HR8300PAM TUBE COMP, frame down L(Black) KM4MJ51E061100492~ TUBE COMP, frame down L(Black)	1
3	07110-08258 BOLT, frame joint	4
4	08316-16088 NUT, frame joint	4
5	41161HM8100 SPACER, frame & engine front L=59	2
6	09103H10099 BOLT, frame & engine frontL=228	1
7	08319-31106 NUT, frame & engine front	1
8	09103H10022 BOLT, frame & engine rear lower L=1	1
9	08319-31106 NUT, frame & engine rear	1
10	41320HM8100 PLATE COMP, C D I	1
11	01517-06206 BOLT, C D I plate	1
12	09103H10153 BOLT, frame & engine rear upper L=1	1
13	41171HM8100 SPACER, frame & engine rear upper L	1
14	CLAMP,canister engine	1
15	BODY COMP, canister	1
16	HOSE, canister body & fuel tank	1
17	HOSE, canister body & intake	1
18	HOSE, canister body & air cleaner	1
19	NIPPLE , intake rr hose & nipple	1
20	HOSE, intake pipe	1
21	BOLT, canister	2
22	LABEL, evaporative dirgram	1

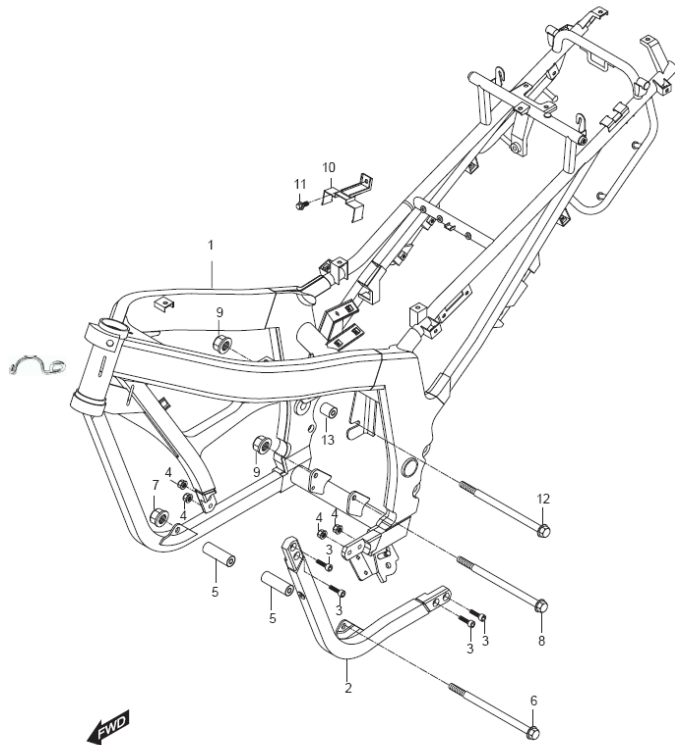


FIG 27. PROP STAND

REF.	PARTS NAME	QTY
------	------------	-----

NO. RAT/RNE01

1	42310HN910003P	STAND COMP, PROP	1
1~1	42310HN9150120	STAND COMP, PROP(Black) KM4MJ51E061100492~	1
		STAND COMP, PROP(Black)	
2	09100-10031	BOLT, prop stand(M10×30)	1
3	08310-22106	NUT, prop stand(M10)	1
4	09443-15047	SPRING, prop stand	1
5	09443-06001	SHIM, prop stand	1
6	37840HM8100	SWITCH, side stand	1
7	01517-06205	BOLR, Side Stand Switch	2

FIG 27

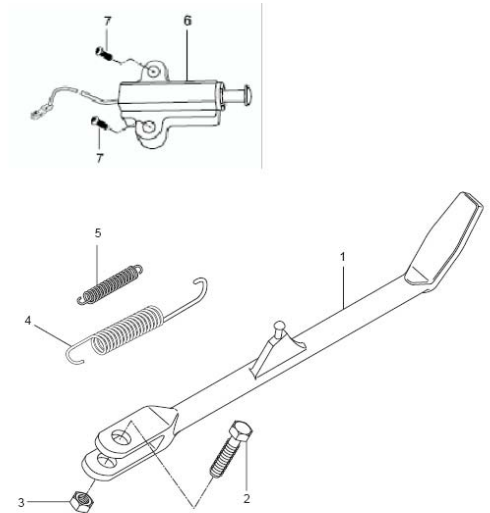


FIG 28. REAR BRAKE

FIG 28

REF.	PARTS NAME	Q'TY
NO. RAT/RNE01		

1	43110HMS10003P	PEDAL COMP, brake	1
2	43530HMS10603P	BRACKET COMP, front footrest R	1
3	09448H30002	SPRING, brake pedal return	1
4	43560HMS100	FOOTREST ASS'Y, front R	1
5	43561HMS100	FOOTREST, bar front R	1
6	43530H30A40	RUBBER COMP, front footrest R	1
7	02112-05126	SCREW, front footrest	2
8	69600HMS100	CYLINDER ASS'Y rear master	1
9	69740HMS100	TANK ASS'Y reserver	1
10	69700HMS101	HOSE ASS'Y reserver	1
11	09400H13001	CLMAP, reserver tank hose	2
12	01517-06168	BOLT, reserver tank	1
14	43533H30A40	BOLT, front footrest bar	1
15	09180H08008	SPACER, front footrest	1
16	43579HMS101	PIN, front footrest	1
17	09448H14007	SPRING, front footrest	1
18	08332-11079	E-RING, front footrest	1
19	07120-08208	BOLT, front footrest bracket	2
20	07120-08258	BOLT, master cylinder	2
21	08322-21068	WASHER, rear master cylinder	1
22	04111-20208	COTTER PIN, rear master cylinder	1
23	09160H15002	WASHER, brake pedal	1
24	08331-31159	CIRCLIP, brake pedal	1
25	09200H06040	PIN, rear master cylinder	1
26	43550HP9201	BRKT, front footrest back step R	2
27	07120-08258	BOLT,grip handle	2
28	69800HN9100	TANK ASS'Y, Master	1
29	69609HN9100	CYLINDER SET, rear master	1

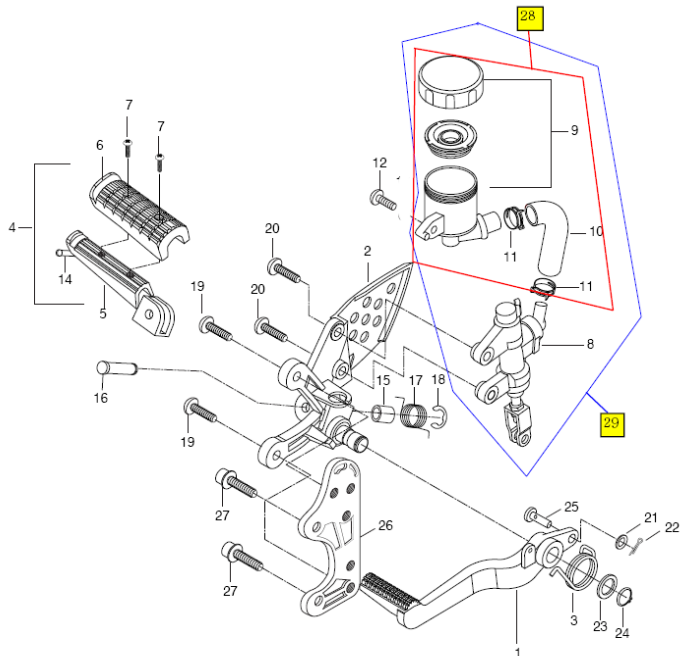


FIG 29. FOOTREST

REF.	PARTS NAME	Q'TY
------	------------	------

NO. RAT/RNE01

1	43570HM8100	FOOTREST ASS'Y, front L	1
2	43571HM8100	FOOTREST BAR, front L	1
3	02112-05126	SCREW, front footrest	2
4	43533H30A40	BOLT, front footrest bar	1
5	09180H08008	SPACER, front footrest	1
6	43579HM8101	PIN, front footrest bar	1
7	09448H14007	SPRING, front footrest	1
8	08332-11079	E-RING, front footrest	1
9	43540HN910103P	BRACKET COMP, front footrest L	1
10	07120-08258	BOLT, front footrest bracket	2
11	43530H30A40	RUBBER, front footrest	1
12	43621HM810403P	BRACKET, pillion footrest R	1
13	43661HM8101	FOOTREST BAR, pillion R	1
14	43721HM810403P	BRACKET, pillion footrest L	1
15	43671HM8101	FOOTREST BAR, pillion L	1
16	07120-08258	BOLT, pillion footrest bracket	4
17	43679HM8101	PIN, pillion footrest	2
18	09448H08008	SPRING, pillion footrest	2
19	08332-11048	E-RING, pillion footrest	2
20	43631HM8101	PLATE, pillion stopper No.1	2
21	43641HM8101	PLATE, pillion stopper No.2	2
22	09320-14015	CUSHION, muffler support	1
23	09180-10044	SPACER, muffler support	1
24	25600HR830003P	LEVER COMP, gear shift cam	1
25	08331-31159	CIRCLIP, gear shift lever	1
26	09160H15002	WASHER, gear shift lever	1
27	43560HP9201	BRKTT, front footrest back step L	1
28	07120-08258	BOLT, front footrest back step	2

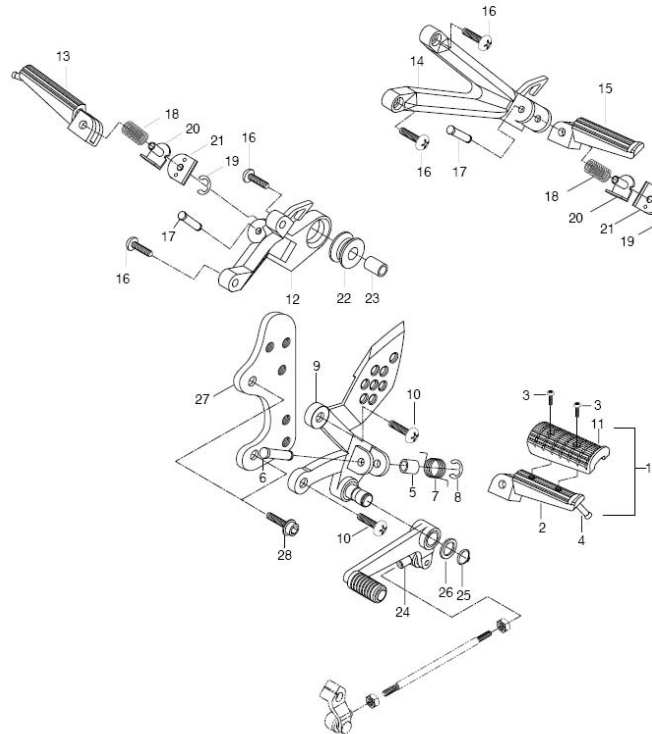


FIG 30. FUEL TANK

FIG 30

REF.	PARTS NAME	QTY
NO.	RAT/RNE01	

1	44110HN9100	F/TANK COMP for silver frame	1
	44110HN9110	F/TANK COMP for black frame	1
		CBK_CDR_CMO	1
		CBK_CDR_CMO	
		With Tape&Emblem	
2	44520HM8100	BRKT COMP, fuel tank front	2
3	09329-10007	CUSHION, fuel tank front	2
4	01517-06206	BOLT, fuel tank front brkt	2
5	09329H28001	CUSHION, fuel tank side	2
6	44530HM8100	BRKT COMP, fuel tank RR	2
7	01517-06206	BOLT, fuel tank RR brkt	1
8	44613HE7100	CUSHION, fuel tank RR brkt & batter	1
9	44218HF4500	CUSHION, fuel tank RR brkt & batter	1
10	09116H08078	BOLT, fuel tank RR	1
11	09320-14013	CUSHION, fuel tank RR up	1
12	09180H08007	SPACER, fuel tank RR cushion	1
13	09320H10020	CUSHION, fuel tank RR lower	1
14	15100HG5100	PUMP ASS'Y, fuel	1
15	09401H11401	CLIP, strainer outlet No.2	1
16	02112-06168	SCREW, fuel pump	2
17		HOSE, fuel pump vacuum	1
18	15831HK2700	HOSE, fuel pump No.1	1
19	44199HM8100	HOSE, strainer outlet(L=118)	1
20	09401-10401	CLIP, strainer outlet No.2	1
21	44910HG2600	STRAINER COMP, fuel	1
22	09401-10401	CLIP, strainer inlet	1
23	44198HE6101	HOSE, vacuum	1
24	09401H11401	CLIP, strainer inlet	1

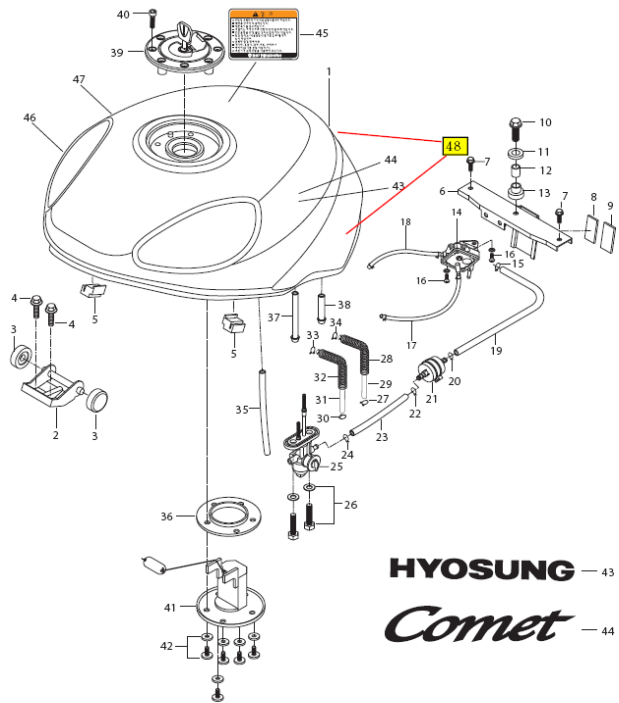


FIG 30. FUEL TANK

FIG 30

REF.	PARTS NAME	QTY
------	------------	-----

NO.	RAT/RNE01		
25	44300HM8150	COCK ASS'Y, fuel	1
		KM4MJ51B441100563 -	
26	09168-06010	GASKET,F/level gauge	2
27	09401-08401	CLIP, fuel reserve No.1	2
28	09440-10009	SPRING, fuel on(L=120)	1
29		HOSE, fuel on	1
30		CLIP, fuel on No.1	1
31		HOSE, fuel reserve	1
32	09440-10009	SPRING, fuel reserve(L=180)	1
33	09401-10401	CLIP, fuel reserve No.2	1
34	09401-10401	CLIP, fuel on No.2	1
35	09352H70103650	HOSE, fuel tank drain(L=650)	1
36	44118-01D30	PLATE, fuel tank inlet	1
37		FILTER, fuel on	1
38		FILTER, fuel reserve	1
39	44200H35C30	CAP ASS'Y, fuel tank filler	1
40	09106-05017	BOLT, fuel tank filler	4
41	34810HM8102	GAUGE ASS'Y, fuel level sender	1
42	01134-05106	BOLT, fuel level sender	5
43	68120HN9100015	EM, FUEL TANK	2
	68120HN910003P	EM, FUEL TANK	2
		EM, FUEL TANK	2
		EM, FUEL TANK	2
45	68319H05350PL	PLATE, CAUTION	1
46	44215HM8100	CUSHION,f/tank in2	1
47	44216HM8100	CUSHION,f/tank in3	1
48		TAPE, FUEL TANK RH	1
48		TAPE, FUEL TANK LH	1

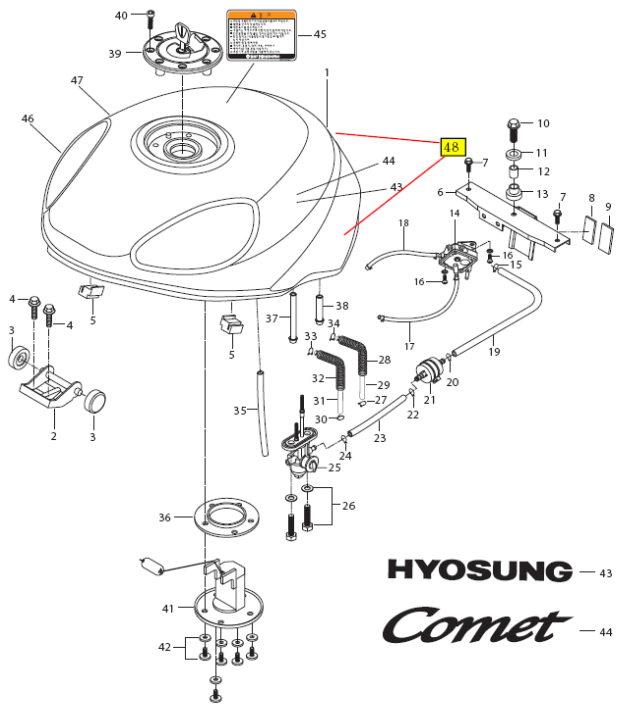


FIG 31. SEAT

REF.	PARTS NAME	QTY
NO. RAT/RNE01		
1	45110HM8101 SEAT SET, front ~KM4MJ51E561100390	1
1~1	45110HN9100HAS SEAT SET, front KM4MJ51E561100391~	1
2	45120HM8101 KNOB COMP, seat front	1
3	09440-11016 SPRING, seat front knob	1
4	08322-11088 WASHER, seat front knob	1
5	04111-20208 PIN, seat front knob	1
6	45200HP9200 SEAT SET, rear	1
7	01517-06206 BOLT, rear seat	1
8	09160-06057 WASHER, rear seat	1

FIG 31

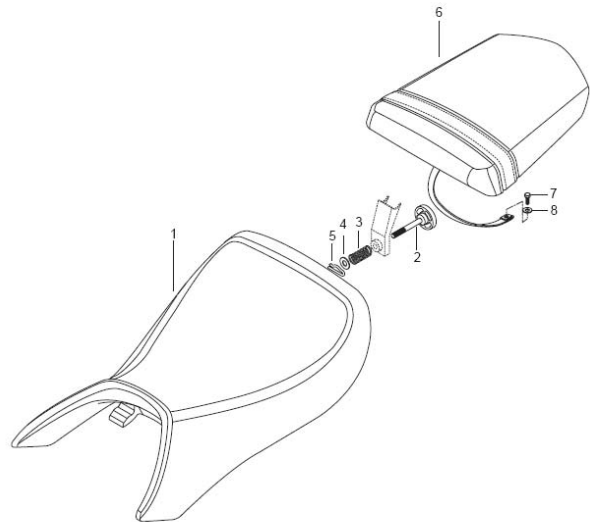


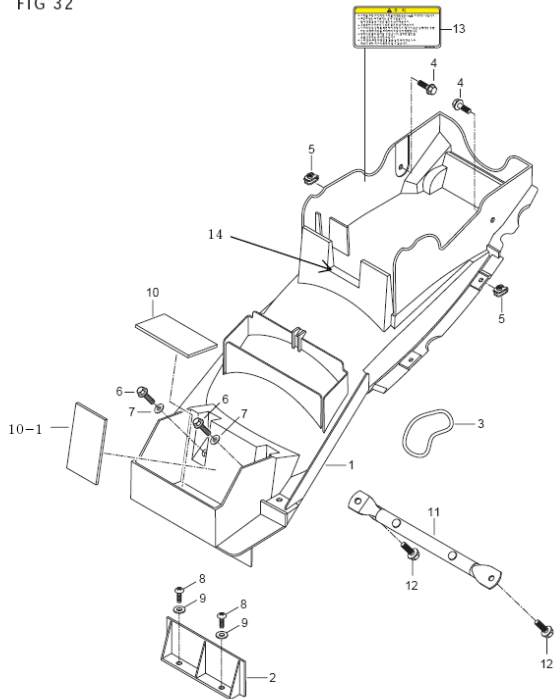
FIG 32. REAR FENDER

FIG 32

REF.	PARTS NAME	QTY
------	------------	-----

NO. RAT/RNE01

1	63112HM810512A	FENDER, rear front	1
2	63113HM810112A	FENDER, rear lower	1
3	09280-63003	BAND, tool	1
4	09111H06066	BOLT, rr fender fit up	2
5	09148-05039	NUT, rr fender fit	2
6	01517-06206	BOLT, rr fender fit & frame side tube	2
7	09169-06032	WASHER, rr fender fit & frame side tu	2
8	02142-06166	SCREW, rr fender lower	2
9	09169-06032	WASHER, rr fender lower	2
10	41589HG5900	CUSHION, rr fender fit & battery(100>	1
10-1	41589HR9700	CUSHION, rr fender fit & battery NO2	1
11	63120HM810003P	TUBE COMP, RR fender FT & frm sic	1
11-1	63120HM810103P	TUBE COMP, RR fender FT & frm sic ~KM4MJ51E361100162	1
	63120HN9150120	TUBE COMP, RR fender FT & frm sic TUBE COMP(BLACK)	1
12	01517-08168	BOLT, frm side tube	2
13	68350HM8150PL	LABEL, caution NO,1	1
14	02142-04088	BOLT, RR Fender FT	2



FRONT

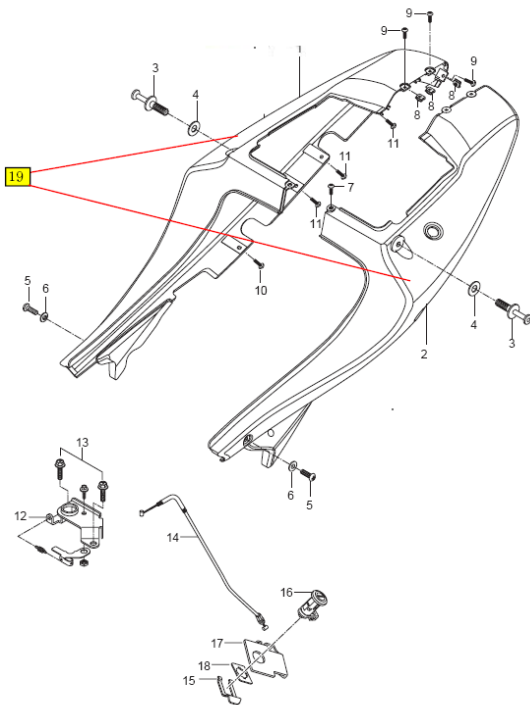
FIG 33. SIDE COVER

FIG 33

REF.	PARTS NAME	QTY
------	------------	-----

NO. RAT/RNE01

1	47111HM8104	COVER, side R Color CDR,CBK,CMC	1
2	47211HM8105	COVER, side L Color CDR,CBK,CMC	1
3	47113HM8101	BOLT, luggage support	2
3-1	47115HN9100	CAP, LUGG SUPPORT BOLT	2
4	08322-11088	WASHER, luggage bolt & frm side	2
5	09106H06150	SCREW, frm side front	2
6	09169H06078	WASHER, frm side front	2
7	09106H06150	SCREW, frm side center	1
8	09148-05004	NUT, frm side rear up	3
9	09106H05150	SCREW, frm side rear up	3
10	09106H06150	SCREW, frm side low & frm	2
11	09106H05150	SCREW, frm side low & rear fender	6
12	45220HM8101	LOCK ASS'Y, seat striker rear	1
13	02122-06308	BOLT, seat striker(M6X16)	2
14	45280-35C00	CABLE ASS'Y, seat lock	1
15	92414HF4500	LOCK, key set	1
16	45700HG2630	LOCK ASS'Y, seat	1
17	45381HG2601	GUIDE, seat lock cable	1
18	92413HF4501	WASHER, side cover	1
19		TAPE,SIDE COV R(UM:BK,NR,NS,UB)	1
19		TAPE,SIDE COV L(UM:BK,NR,NS,UB)	1



PWD

FIG 34. FRONT FORK

FIG34

REF.	PARTS NAME	QTY	
NO.	RAT/RNE01		
1	51100HR8300HPA	FORK ASS'Y, front	1
2	51410HP9204HPA	BRACKET COMP, front fork under	1
3	51411HP9201	BRACKET, front fork under	1
3-0	51411HP9204	BRACKET, front fork under	1
3-1	51412HM8102	STEER'G STEM	1
3-2	51413HM8100	STOPP,fi fork under	1
4	07110-08258	BOLT, front fork under bracket	4
5	09265H25001	BEARING, steering lower	1
6	09265H28001	BEARING, steering upper	1
7	51631-28000	NUT, steering stem	1
8	09166H25001	WASHER, steering stem	1
9	51210HR8300	DAMPER ASS'Y, front fork R	1
	51210HR8350120	DAMPER ASS'Y(BLACK), front fork R KM1MJ527471601402~	1
10	51220HR8300	DAMPER ASS'Y, front fork L	1
	51220HR8350120	DAMPER ASS'Y(BLACK), front fork L KM1MJ527471601402~	1
10-A	52120HM8100	CAP.OUTER TUBE	2
10-B	52210-N9100	OUTER TUBE(SILVER)	2
10-C	52110-N9100	FORK, PIPE	2
10-D	51255HG5800	OIL SEAL, FORK	2
10-D1	52620-G5800	AIR DUST COVER	2
10-E	52280HM8101	BOTTOM BLOCK RH	1
10-F	52270HM8101	BOTTOM BLOCK LH	1
11	09106H08458	BOLT, axle grip	4
12	07110-08258	BOLT, fork clip	2
13	90544H93B00	WASHER, spacer	2
14	51511HN9101	JOINT, front brake hose	1
14-A	Delete		0
15	01517-06308	BOLT, front brake hose joint	2
15-A	Delete		0
16	51631HN9100	NUT, steering stem upper	1
17	51643HG5801	DUST SEAL, steering upper	1
18	09164H28001	WASHER,PROTECTOR	1

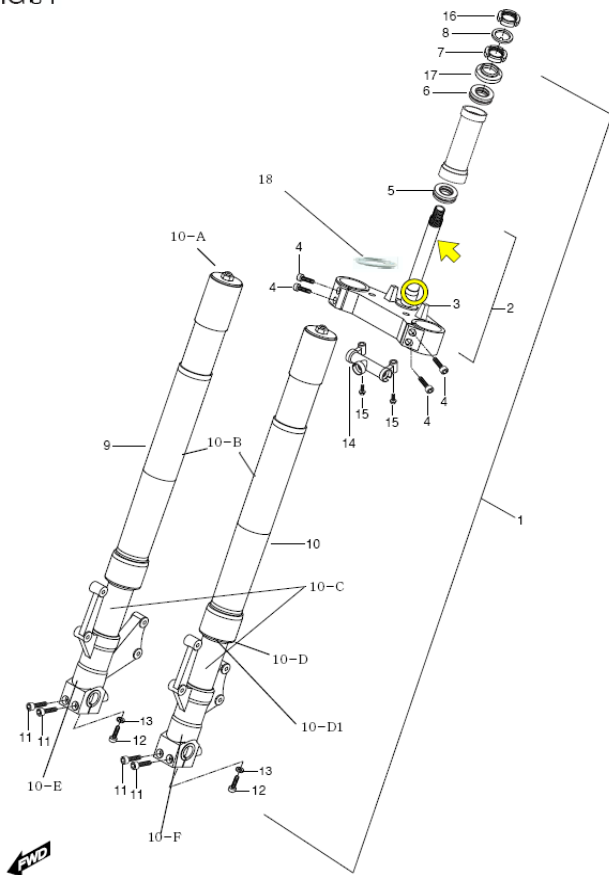
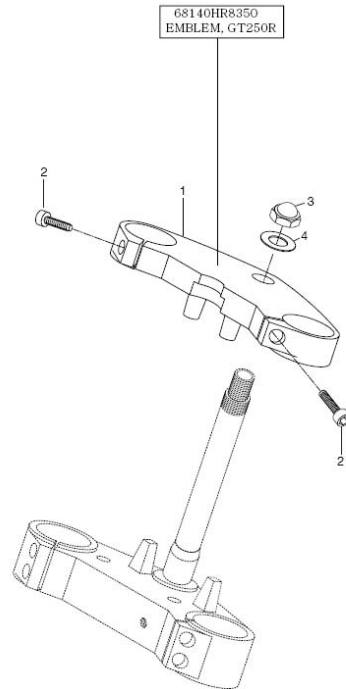


FIG 35. STEERING HEAD

FIG 35

REF.	PARTS NAME	QTY
NO.	RAT/RNE01	

1	51311HP940003P	BRACKET, front fork upper	1
2	07110-08258	BOLT, front fork upper bracket	2
3	09159H22002	NUT, str upper	1
4	09160H22032	WASHER, str upper	1
5	68140HR8350	EMBLEM,GT250R	1



AWD

FIG 36. FRONT FENDER

REF.	PARTS NAME	QTY
------	------------	-----

NO. RAT/RNE01

1	53111HM8100	FENDER, front(color:0BK,0DR,0MO)	1
2	59430HN9100	CLAMP COMP, front brake hose R	1
3	59440HN9100	CLAMP COMP, front brake hose L	1
4	01517-08126	BOLT, front brake hose clamp R/L	2
5	09404-08403	CLAMP, speed sensor	1
6	09169H06078	WASHER, front fender	4
7	09106H06150	Bolt, front fender	

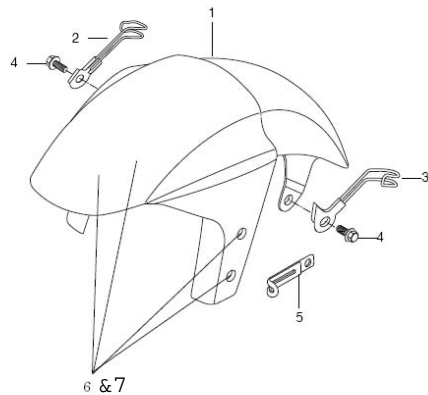


FIG 37. FRONT WHEEL

FIG 37

REF.	PARTS NAME	Q'TY
NO. RAT/RNE01		
0	54140SR8300HPA WHEEL, front	1
	54140SM8102120 WHEEL COMP. FT (In B'G)(Black)	1
	KM4MJ51E061100492~	1
1	54141HM8102 WHEEL, front (J17xMT3.0)	1
	54141HM8102120 WHEEL, front (J17xMT3.0)(Black)	1
	KM4MJ51E061100492~	
	WHEEL, front (J17xMT3.0)(Black)	
2	55101HR8300 TIRE COMP, front (120/60-17 55W)	1
3	59211HM8100 DISC COMP, front L	1
4	59421-03A01 BOLT, front brake disc	12
5	54711HG5101 AXLEL, front	1
6	54740HM8101 SPACER COMP, front axle R	1
7	54721HM8100 NUT, front axle	1
8	34860HP9201 SENSOR ASS'Y, speedometer	1
9	08124-63027 BEARING, front hub	2
10	54731HM8100 SPACER, front hub	1
11	55220-41D10 VALVE ASS'Y, wheel rim	1
12	59221HM8160 DISC COMP, F/T R	1

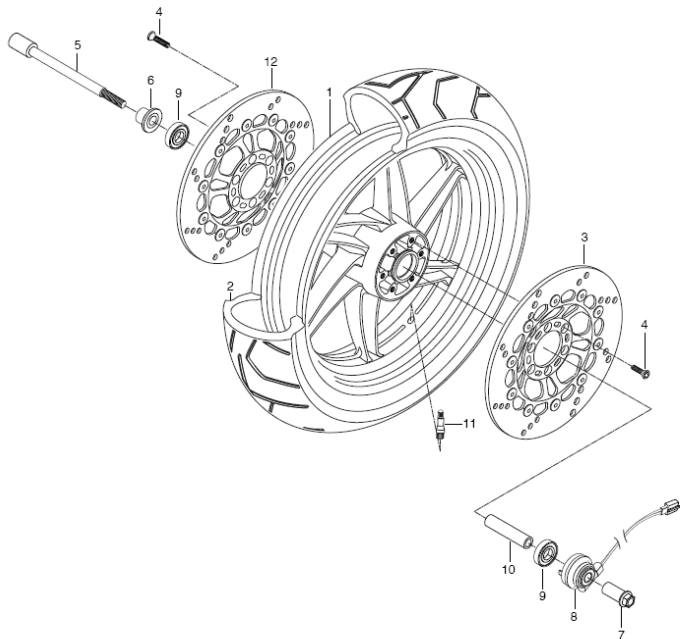


FIG 38. HANDLE BAR

FIG 38

56501HP9200

REF. NO.	RAT/RNE01	PARTS NAME	QTY
1	56110HP9203	HANDLE BAR COMP, RH	1
2	56120HP9204	HANDLE BAR COMP, LH	1
3	58300HR8300	CABLE ASS'Y, throttle	1
4	58410HR8300	CABLE COMP, starter	1
5	58200HR8300	CABLE ASS'Y clutch	1
6	09408H10002	CLIP,cable	1
7	09200-06004	PIN,clutch	1
8	04111-20158	COTTER PIN, clutch	1
10	56500HP9200	MIRROR ASS'Y, rear view R	1
11	07110-06208	BOLT	1
11-1	07110-06205	BOLT (BLACK)	1
		KM4MJ527171601036-	
12	56503HP9200	CUSHION,rear view mirror	1
13	56600HP9200	MIRROR ASS'Y, rear view L	
13-1	56501HP9200	MIRROR SET	

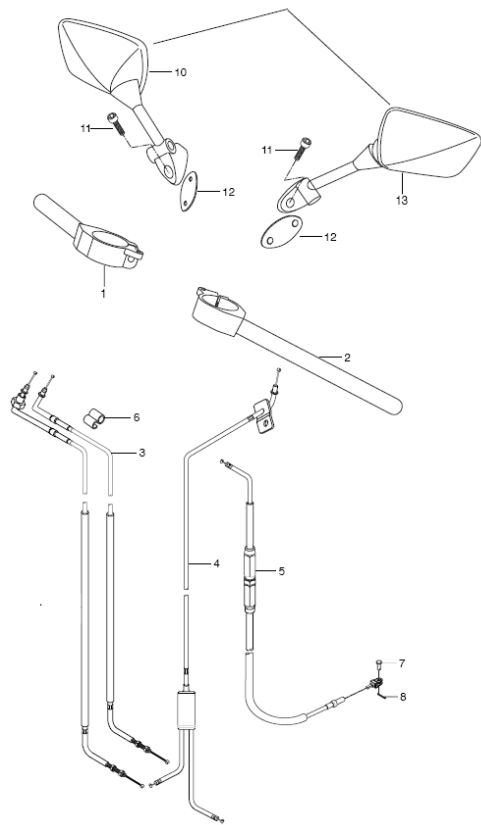


FIG 39. HANDLE SWITCH

FIG 39

REF.	PARTS NAME	Q'TY
NO. RAT/RNE01		

1	37200HR8350	SWITCH ASS'Y, handle R	1
2	57110HG5803	GRIP COMP, throttle	1
3	56271HF4501PLA	BALANCER, handlebar	2
4	57421HN9100	LEVER, brake	1
4-1	57300HN9102	LEVER, brake ASS'Y	1
	KM4MJ51E161100663-		
5	07110-08208	BOLT, handle balancer	2
6	37400HP9200	SWITCH ASS'Y, handle L	1
7	57211HG5800	GRIP, L	1
8	09407-14403	CLAMP, handle switch harness	2
9	57460HJ8250	SWITCH ASS'Y, clutch	1
10	57431H05D00	BOLT, brake lever pivot	1
11	08319-21065	NUT, brake lever pivot	1
12	57460-17C00	SWITCH ASS'Y, stop	1
13	02112-74108	SCREW, stop switch	1
14	57620HN9100	LEVER COMP, clutch	1
14-A	57620HN9101	LEVER COMP, clutch	1
	KM4MJ51E861101194~		
15	57500HN9100	LEVER ASS'Y, clutch	1
15-A	57500HN9101	LEVER ASS'Y, clutch	1
	KM4MJ51E161100663-		
15-B	57500HN9102	LEVER ASS'Y, clutch	1
	KM4MJ51E861101194~		
15-1	57511HM8100	HOLDER, clutch lever	1
15-1-A	57511HN9100	HOLDER, clutch lever	1
	KM4MJ51E161100663-		
15-1-B	57511HN9101	HOLDER, clutch lever	1
	KM4MJ51E861101194~		
16	57431H93B00	BOLT SET, clutch lever pivot	1
17	08319-21065	NUT, clutch lever pivot	1
18	57451HG5800	BOLT, clutch lever holder	1
19	57442H93B00	LOCK NUT	1
20	57441H93B00	ADJUSTER, wire	1
21	57661HJ8200	COVER, clutch lever	1
22	37281HN3201	BOSS HANDLE SWITCH R	1
	KM4MJ51EX61100001~		
23	56502HP9200	SCRIVET	2
	~KM4MJ51E761100567		
23-1	09407-08307	SCRIVET	2
	KM4MJ51E761100568~		

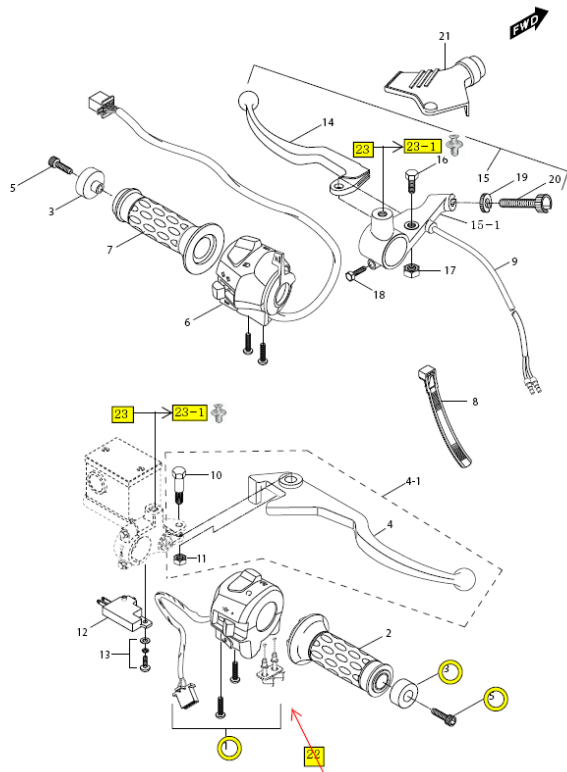


FIG 40. CALIPER LH

FIG 40

REF.	PARTS NAME	QTY
NO. RAT/RNE01		

1	59300HN9100	CALIPER ASS'Y, L	1
1	07120-08308	BOLT, caliper	2
2	01514-06106	BOLT, speedometer cable guide	1
3	59266HN9100	GUIDE, speedometer cable	1
4	59301HP9500	PAD SET	1
5	59360HN9100	CARRIER ASS'Y, F/T caliper LH	1
6	59303HG5100	PISTON SET, caliper	1
7	59313HG5100	INSULATOR, caliper	1
8	59302HG5100	AXLE, caliper pad	1
9	59121HG5100	BREATHER	2
10	59305HG5100	SPRING	1
11	59122HG5100	CAP	2
12	59312HG5100	BOOT	1

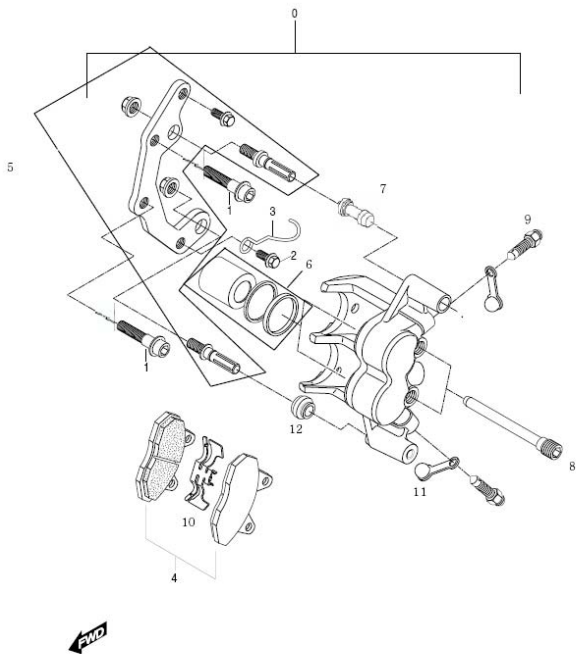


FIG 40-1. CALIPER RH

REF.	PARTS NAME	QTY
------	------------	-----

NO. RAT/RNE01

1	59400HN9100	CALIPER ASS'Y, R	1
1	07120-08308	BOLT, caliper	2
2	59301HP9500	PAD SET	1
3	59350HN9100	CARRIER ASS'Y, F/T caliper LH	1
4	59303HGS100	PISTON SET, caliper	1
5	59313HGS100	INSULATOR, caliper	1
6	59302HGS100	AXLE, caliper pad	1
7	59121HGS100	BREATHER	2
8	59305HGS100	SPRING	1
9	59122HGS100	CAP	2
10	59312HGS100	BOOT	1

FIG. 40-1

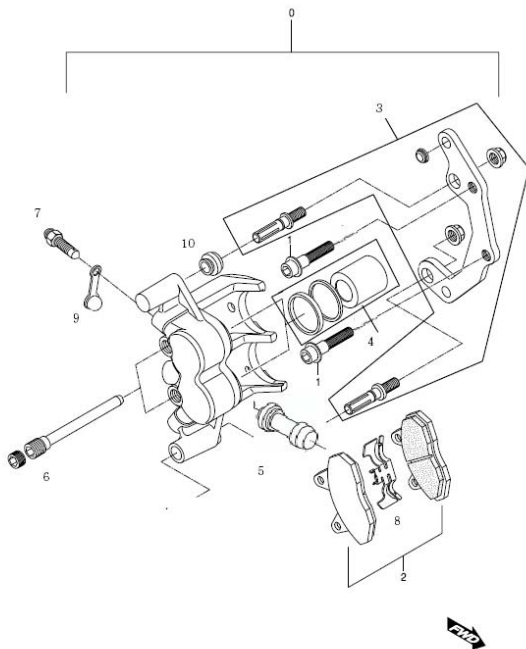
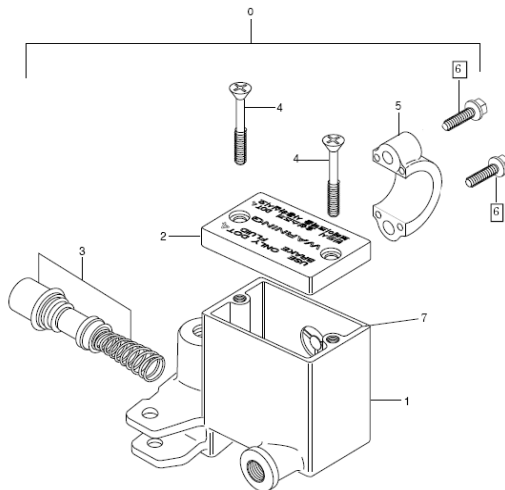


FIG 41. MASTER CYLINDER

REF.	PARTS NAME	QTY
NO. RAT/RNE01		

1	59600HP9201	CYLINDER ASS'Y, front master	1
1	59687HM8162	BODY	1
2	59669SN9110	CAP SET, Master Cylinder	1
2-A	59669HN9100	CAP, Master Cylinder	1
2-B	59511HP9200	PLATE, reservoir cap	1
3	59610HN9100	PISTON, SET	1
4	59691-35C00	SCREW	2
5	59671-35C00	HOLDER	1
6	01107-35C00	BOLT, holder	2
7	59667HP9200	DIAPHRAGM	1

FIG.41



← PWD

FIG 42. FRONT BRAKE HOSE

REF.	PARTS NAME	QTY
------	------------	-----

NO.	RAT/RNE01		
1	59711H49002	BOOT, brake hose	1
2	59460HN9100	HOSE COMP. FT brake R	1
3	09161-10005	WASHER, brake hose	12
4	59450HP9202	HOSE COMP, front brake upper	1
5	69480HM8104	HOSE COMP, rear brake	1
6	09161-10005	WASHER, rear brake fluid	4
7	09360-10039	BOLT, rear brake fluid	8
8	59470HN9100	HOSE COMP, FT brake L	1
9	59480HP9400	HOSE COMP, FT BRAKE	1
10	01547-06303	BOLT	1

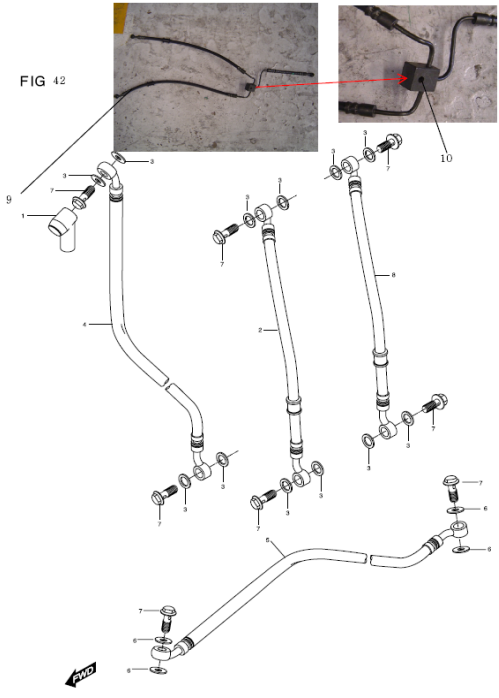


FIG 43. SWINGING ARM

REF.	PARTS NAME	QTY
------	------------	-----

NO.	RAT/RNE01		
0	61100HM8105HPA	REAR SWING ARM ASS'Y	1
0-1	61100SM8105120	S/ARM + Bearing (Black)	1
		KM4MJ51E061100492~	1
1	61100HM8105	SWING ARM COMP, rear	1
1-1	61100HM8105120	SWING ARM COMP, rear(Black)	1
		KM4MJ51E061100492~	1
2	61273HM8101	BUFFER, chain touch defense	1
3	02142-06166	BOLT, chain touch defense buffer	2
4	09169-06032	WASHER, chain touch defense buffer	2
5	61211HM8100	SHAFT, rear swingarm pivot	1
6	09263-22017	BEARING, rear swingarm pivot	2
7	61251HM8100	SPACER, rear swingarm pivot bearing	2
8	09284H32001	SEAL, rear cushion rod	2
9	08319-31128	NUT, rear swingarm pivot	1
10	09283-20031	SEAL, rear cushion rod	2
11	09263H20003	BEARING, rear cushion rod	2
12	09180H14001	SPACER, rear cushion rod	1
13	09284H32001	SEAL, rear cushion rod	2
14	09159H14008	NUT, rear cushion rod	2
15	09103H14001	BOLT, rear cushion rod	2
16	62641HM8100	ROD, rear cushion lever	2
17	09180H10073	SPACER, rear cushion lever rear	1
18	09263H17002	BEARING, rear cushion lever rear	1
19	61410HJ8200	ADJUSTER COMP, chain	2
20	61421-01D00	PLATE, chain adjuster guide	2
21	64712HJ8200	WASHER, chain adjuster	2
22	08316-26108	NUT, chain adjuster	2
23	62611HG5800	LEVER, rear cushion	1
24	09284H33003	DUST SEAL, rear cushion lever front	2
25	09263-20073	BEARING, rear cushion lever front	1
26	09180H12001	SPACER, rear cushion lever front	2

FIG 43

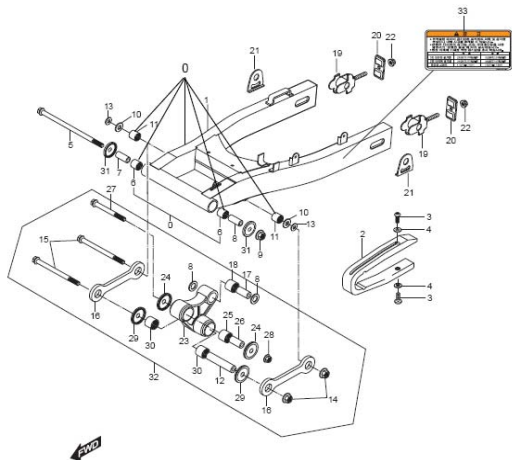


FIG 43. SWINGING ARM

FIG 43

REF. NO.	RAT/RNE01	PARTS NAME	QTY
----------	-----------	------------	-----

27	09103H12046	BOLT, rear cushion lever front	1
28	08319-31128	NUT, rear cushion lever front	1
29	09284H32001	SEAL, rear cushion lever center	2
30	09263H20003	BEARING, rear cushion lever center	2
31	61262-45002	COVER, rear swingarm pivot	2
32	62611HG5800HPA	LEVER ASS'Y, rear cushion	1
33	68320HM8150PL	LABEL, chain case	1

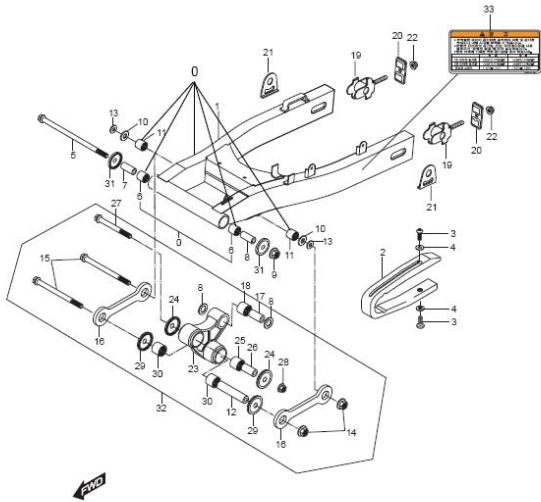


FIG 44. REAR SHOCKABSORBER

REF.	PARTS NAME	QTY
NO. RAT/RNE01		

1	62100HR8301	SHOCK ABSORBER ASS'Y, rear	1
2	09103H10101	BOLT, rear shock absorber upper	1
3	08319-31108	NUT, rear shock absorber upper	2
4	09103H10101	BOLT, rear shock absorber lower	1
5	61310HM8102	CASE COMP, chain	1
6	09111H06066	BOLT, chain case	2
7	09160-10001	WASHER, rear shock absorber lower	1
8	68911HM8150	LABEL NOISE TEST KM4MJ51EX61100001~	1

FIG 44

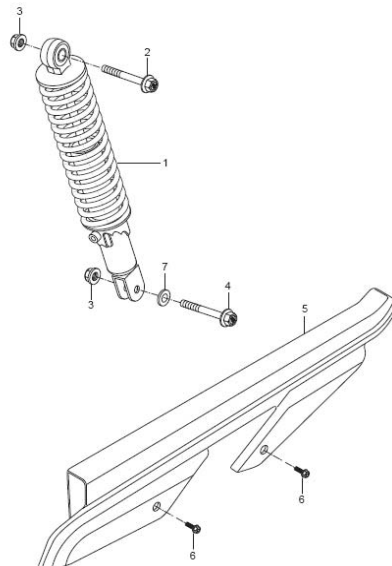


FIG 45. REAR FENDER

REF.	PARTS NAME	QTY
------	------------	-----

NO. RAT/RNE01

1	63111HM810112A	FENDER, rear	1
2	02142-06166	SCREW, rr fender	4
3	09169-06032	WASHER, rr fender	4
4	09148-05039	NUT, rr fender	4
5	09321-06023	CUSHION, license plate	2
6	35910HG5150	LAMP ASS'Y, license plate	1
7	08316-26055	NUT, license lamp(M5)	2
8	35915HG5800	COVER, license lamp	1
9	08316-26055	NUT, rear reflex reflector	1
10	35970-17303	REFLEX REFLECTOR ASS'Y, rear	1
11	01107-05605	BOLT, license lamp	2
12	35911HG5800	LENS, license	1
13	35912HG5800	HOUSING, license	1
14	35916HG5800	CORD ASS'Y	1
15	09471-12210	BULB, license lamp(12V/5W)	1

FIG 45

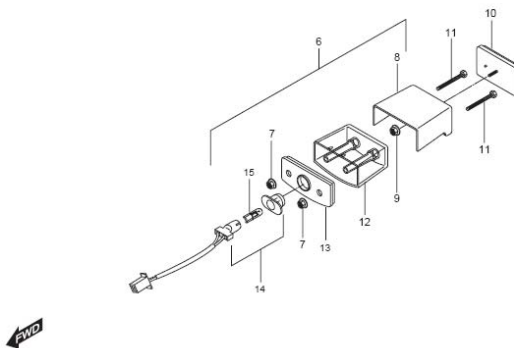
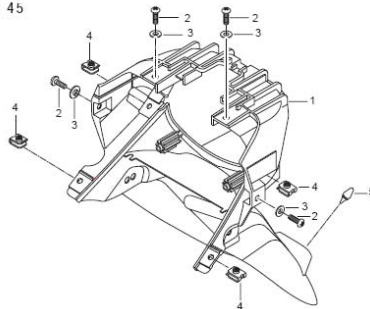


FIG 46. REAR WHEEL

REF.	PARTS NAME	QTY	
NO.	RAT/RNE01		
0	64140SR8300HPA	WHEEL + TIRE REAR ASS'Y	1
	64150SM8103120	WHEEL +Bearing(Black)	1
		KM4MJ51E061100492~	1
1	64150HM8103	WHEEL COMP, rear(J17x MT4.00)	1
	64150HM8103120	WHEEL COMP, rear(J17x MT4.00)	1
		KM4MJ51E061100492~	1
2	65101HR8300	TIRE COMP, rear(150/70-17 69J)	1
3	55220-41D10	VALVE ASS'Y, wheel rim	1
4	64711HM8102	AXLE, rear	1
5	09159H16002	NUT, rear axle	1
6	64741HM8100	SPACER, rear axle R	1
7	64751HM8100	SPACER, rear axle L(46T)	1
8	64611HM810203P	DRUM, rear sprocket mounting	1
9	64511HM8102	SPROCKET, rear	1
10	64733HM8100	RETAINER, rear sprocket drum	1
11	01517-08358	BOLT, rear sprocket	6
12	08319-31088	NUT, rear sprocket	6
13	09285-28001	OIL SEAL, rear sprocket mounting drt	1
14	08133-62047	BEARING, rear sprocket mounting drt	1
15	09169-10013	WASHER, rear sprocket	3
16	64651HM8101	SHOCK ABSORBER, rear wheel	6
17	64731HM8100	SPACER, rear wheel bearing	1
18	08133-62037	BEARING, rear wheel L	1
19	08133-62037	BEARING, rear wheel R	1
20	09280-55001	O-RING, rear brake	1
21	69211HM8102	DISK, rear brake	1
22	59421-03A01	BOLT, rear brake disk	6
23	64712HJ8200	WASHER, chain adjuster R	1
24	64712HJ8200	WASHER, chain adjuster L	1
25	69340HM810303P	CARRIER, caliper	1
25-1		CARRIER, caliper (BLACK)	1
25-1		KM4MJ51E061100492~	1

FIG 46

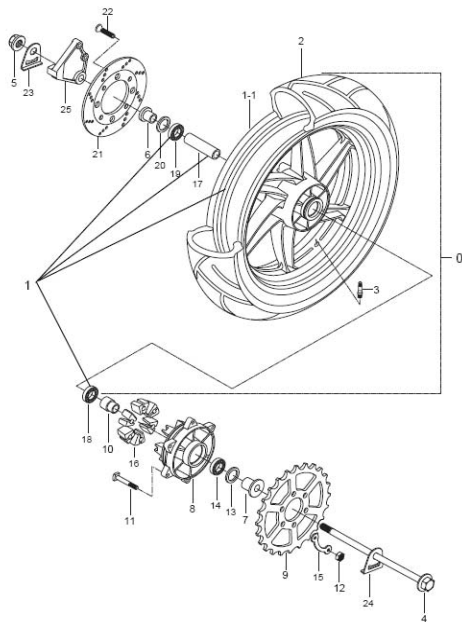


FIG 47. REAR CALIPER

REF.	PARTS NAME	QTY
NO. RAT/RNE01		

1	69300HN9102	CALIPER ASS'Y, R	1
1	09103H08254	BOLT, caliper	2
2	59301HP9500	PAD SET	1

FIG 47

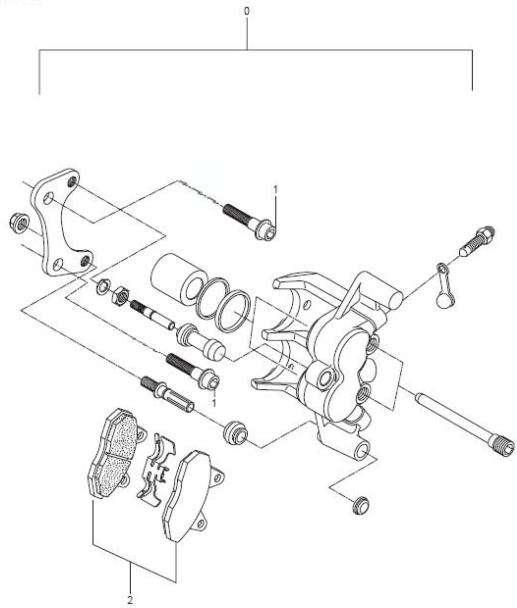


FIG 48. COW'G BODY

FIG 48

REF.	PARTS NAME	Q'TY
NO.	RAT/RNE01	

1	94611HP9203HPA	WINDSCREEN ASS'Y(COLOR :LIQUID)	1
	94601HP9200HPA	WIND SCREEN ASS'Y(COLOR : TONED)	
1-1	94611HP9203	WINDSCREEN	1
1-2	68500HP9200	TAPE,WINDSCREEN	1
1-3	68120HL7300120	EMBLEM,LEG SHIELD FRONT(HYOSUNG	1
2	94641HP9200	PANEL, meter	1
3	94411HP9202	COW'G, body side R(color:0BK,0DR.,0DS,0D	1
4	94421HP9202	COW'G, body side L(color:0BK,0DR.,0DS,0D	1
5	94431HP9200	COW'G, body side R inner(color:0BK,0DR.,0C	1
8	94671HP9200121	COW'G, air duct L	1
9	94661HP9200121	COW'G, air duct R	1
10	94441HP9200	COW'G, body center lower(color:0BK,0DR.,0I	1
11	94510HP9202	BRACE, cowling	1
12	03241-05125	BOLT, meter panel & body side cow R/L	8
13	09103H08254	BOLT, brace comp & frame head pipe	2
14	09180H06208	SPACER, body side cow R/L & brace comp	4
15	09320-09034	CUSHION, body side cow R/L & brace comp	4
16	09116-06143	BOLT, body side COW'G R/L & brace comp	4
17	09180H06208	SPACER, body side COW'G R/L & frame	2
18	09320-09016	CUSHION, body side COW'G R/L & frame	2
19	09136-06113	BOLT, body side COW'G R/L & frame	4
20	09320-07012	CUSHION, windscreen & body side COW'G u	6
21	09106H05150	BOLT, windscreen & body side COW'G up	6
22	09148-05004	NUT, body side COW'G R/L & meter panel	8
23	03241-05106	SCREW, side COW'G & lower COW'G	8
24	09148-05004	NUT, lower COW'G ctr & body side COW'G F	1
25	03241-05125	SCREW, lower COW'G ctr & body side COW'	1
26	09148-06020	NUT, body side COW'G R/L & brace comp	4
29	08316-26055	NUT, windscreen & body side COW'G up	6
30	03211-05166	SCREW, lower COW'G & body side COW'G F	4
31	08313-11088	NUT, brace comp & frame head pipe	2
32	03241-04128	SCREW, body side cwling & air doct COW'G	6
33	09106H06150	BOLT	2
34	09148-06020	NUT	2
35	09169-05018	WASHER, Windscreen	6
36	94454HP9400	CUSHION, Upper Cowling R	1
37	94455HP9400	CUSHION, Upper Cowling L	1

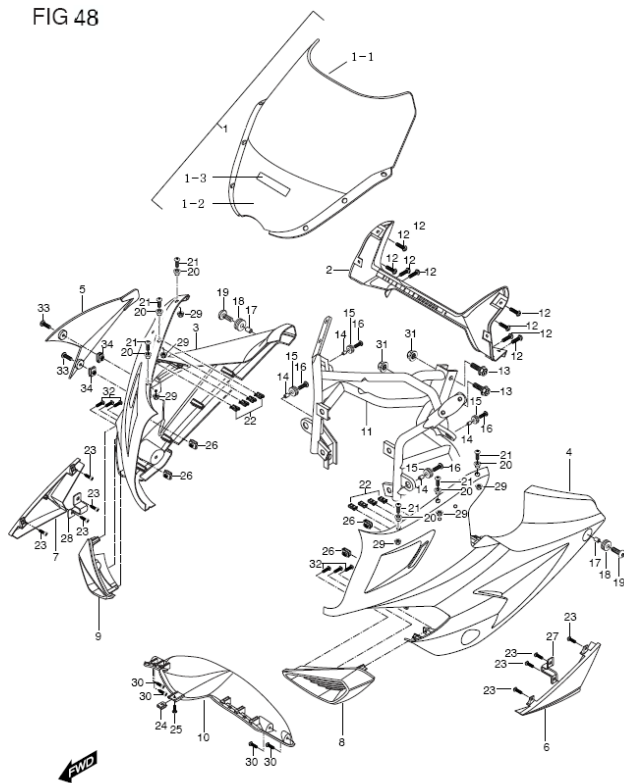


FIG 49. COW'G BODY

FIG 49

REF. NO.	RAT/RNE01	PARTS NAME	QTY
0	94409HP9450	UNDER COW'G SET(color:OBK,0DR,0DS,0MO:WI	
1	94432HP9402	COW'G, under RH (color:CBK,CDR,CMO:V COW'G, under RH	1
2	94433HP9400	COW'G, under LH (color:CBK,CDR,CMO:W	1
3	94431HP9400	COW'G, under center (color:0BK,0DR,0MO)	1
4	94434HR8300	PLATE, under COW'G RH	1
5	94435HR8300	PLATE, under COW'G LH	1
6	94436HP9401	PLATE, under center COW'G	1
7	94478HR8300	PLATE COMP,under COW'G upper RH	1
8	94479HR8300	PLATE COMP,under COW'G upper LH	1
9	01134-06306	BOLT, body under COW'G & frame	2
10	09106H05150	BOLT, body under COW'G R/L	11
10-1	09136-06113	BOLT	2
10-2	09106H06150	BOLT	4
11	09148-05004	NUT, under COW'G	9
12	94425HP9401	PLATE, body COW'G side lower	2
13	94426HP9401	PLATE, body COW'G side	4
14	94439HP9401	GRILL, under center COW'G	1
15	94417HP9201	PLATE COMP, frame & body COW'G No.2	2
16	03151-05125	SCREW, side COW'G & lower cowl	7
16-1	03241-05125	SCREW	9
17	68130HR8350015	TAPE, "GT250 R" RH(color:0DR)	2
	68130HR835010R	TAPE, "GT250 R" RH(color:0MO)	2
	68130HR835003P	TAPE, "GT250 R" RH(color:SBK)	2
17-A		Tape,under cowling NO1 RH/LH	1
17-B		Tape,under cowling NO2 RH/LH	1
17-C		Tape,under cowling NO3 RH/LH	1
		Tape,under cowling NO3 RH/LH	1
17-D		Tape,under cowling NO4 RH/LH	1
		Tape,under cowling NO5 RH/LH	1
18	94453HP9400	CUSHION, Under Cow'g Side L	2
19	94456HP9400	CUSHION, Under Cent Cow'g R	1
20	94457HP9400	CUSHION, Under Cent Cow'g L	1
21	94458HP9400	CUSHION, Under Cowling R	1
22	94459HP9400	CUSHION, Under Cowling L	1

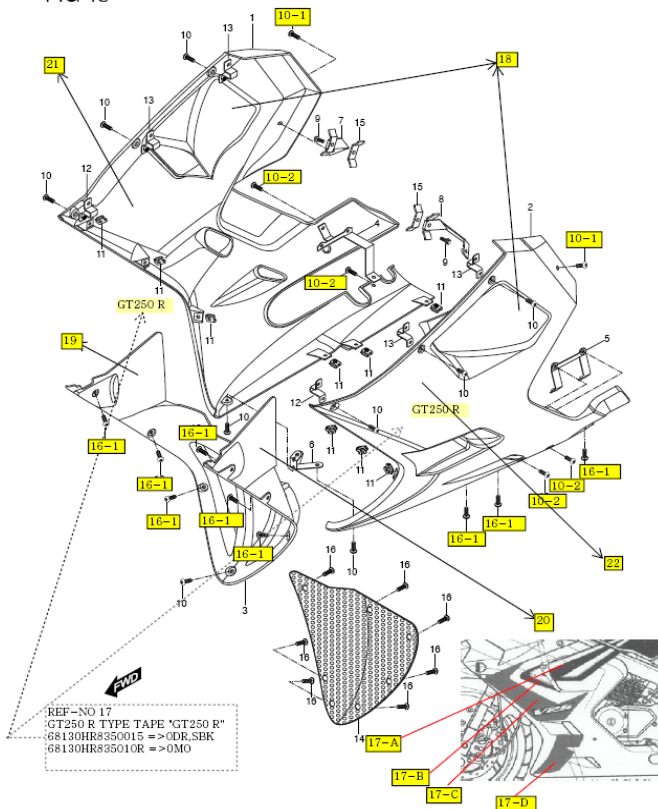


FIG 50. RIDER PILLION

REF.	PARTS NAME	QTY
------	------------	-----

NO.	RAT/RNE01		
0	47510HP9202	RIDER, PILLION	1
1	07120-08208	BOLT, PILLION	6

FIG 50

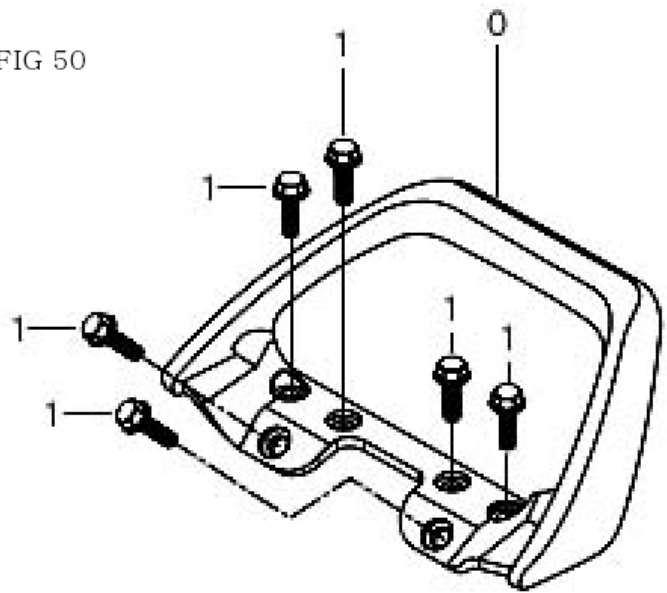


FIG 51. 2ND AIR

REF.	PARTS NAME	QTY
NO. RAT/RNE01		

1	VALVE ASSY 2DN AIR	1
2	HOSE, 2ND air pipe	1
3	BOLT, 2ND air valve	2
4	CLAMP, 2ND air pipe	2
5	GASKET, 2ND air pipe	1
6	PIPE COMP, 2ND air front	1
7	HOSE, 2ND air cleaner RH	1
8	HOSE, 2ND vacuum RH	1
9	CLAMP, 2ND vacuum hose	2
10	CLAMP, 2ND air cleaner hose	2
11	BOLT, 2ND air pipe	2

FIG 51

